

Model No. ▶ 3709, 3710

Description ▶ Trimmer

CONCEPT AND MAIN APPLICATIONS

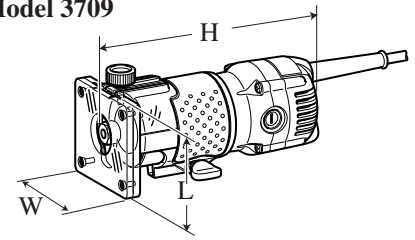
Models 3709 and 3710 have been developed as price-competitive successors to the current Model 3703 (with normal base) and 3704 (with tilt base).

Their main features are;

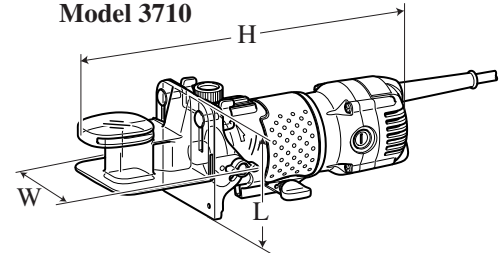
- *Transparent plastic base for clear view to trimming edge
- *Rubberized soft grip for operator's comfort and control

3710 additionally features 0-45 degree tilt base.

Model 3709



Model 3710



Dimensions: mm (")		
Model No.	3709	3710
Length (L)	82 (3-1/4)	102 (4)
Width (W)	90 (3-1/2)	122 (4-13/16)
Height (H)	199 (7-7/8)	302 (11-7/8)

► Specification

Voltage (V)	Current (A)	Cycle (Hz)	Continuous Rating (W)		Max. Output (W)
			Input	Output	
110	5.1	50/ 60	530	300	570
120	4.0	50/ 60	---	170	570
220	2.5	50/ 60	530	300	570
230	2.4	50/ 60	530	300	570
240	2.3	50/ 60	530	300	570

Model No.	3709	3710
Continuous rating input: W	530	
No load speed: min-1=rpm	30,000	
Collet size: mm (")	6 or 6.35(1/4)	
Depth adjustment mechanism	Rack and pinion	
Tilt base	No	Yes
Double insulation	Yes	
Power supply cord: m (ft)	Australia, New Zealand: 2.0(6.6), Other countries: 2.5(8.2)	
Net weight: Kg (lbs)	1.5 (3.3)	1.6 (3.5)

► Standard equipment

Trimmer guide assembly 1 pc Straight bit (6mm or 1/4 inch).. 1 pc Wrench 17.....1 pc
 Straight guide assembly 1 pc Collet cone (6mm or 1/4 inch).. 1 pc Chip deflector (3709 only) ...1 pc
 Templet guide 10 1 pc Wrench 10 1 pc

Note: The standard equipment for the tool shown above may differ by country.

► Optional accessories

- Assorted bits
- Trimmer shoe
- Trimmer base assembly
- Collet cone

► Repair

CAUTION: Be sure to unplug the tool and remove the bit before maintenance or repair.
See the instruction manual on how to handle the tool.

[1] NECESSARY REPAIRING TOOLS

Part No.	Descriptions	Purpose
1R269	Bearing Extractor	For removing Ball bearings on Armature shaft
1R280	Round Bar for Arbor 6-50	For use it together with 1R269

[2] Disassembling Armature

1. Remove Brush holder caps, Carbon brushes, Collet cone, Collet nut and Trimmer base ass'y set as shown in **Fig.1**.
2. Remove four 4x35 Tapping screws. Next, separate the assembled part of Motor housing complete and Armature ass'y from the others. Refer to **Fig.2**.
3. Pull out Armature ass'y from Motor housing complete by hand as illustrated in **Fig.3**.
4. Remove Ball bearing 6002LLH on the drive end of Armature ass'y and Ball bearing 607LLB on the commutator end in according to the following manner.
 - A) Pull off Rubber ring 19 on Ball bearing 607LLB by hand.
 - B) Insert two jaws of 1R269 between Ball bearing 607LLB and Resin washer to remove Ball bearing 607LLB as described in **Fig.4**.
 - C) As illustrated in **Fig.5**, use 1R280 with 1R269 to remove Ball bearing 6002LLH.

Fig.1

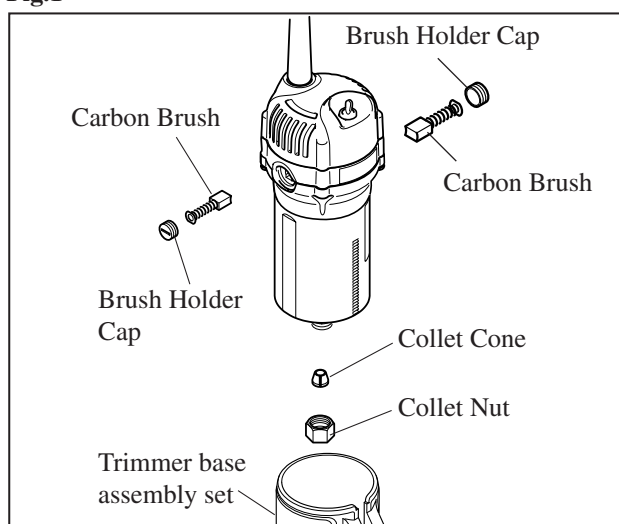


Fig.2

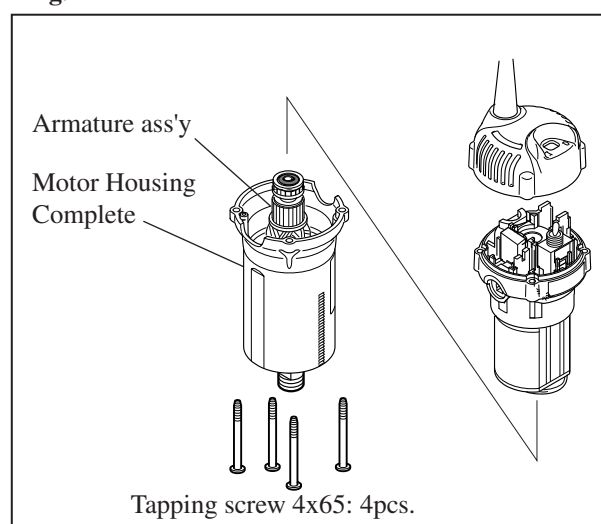


Fig.3

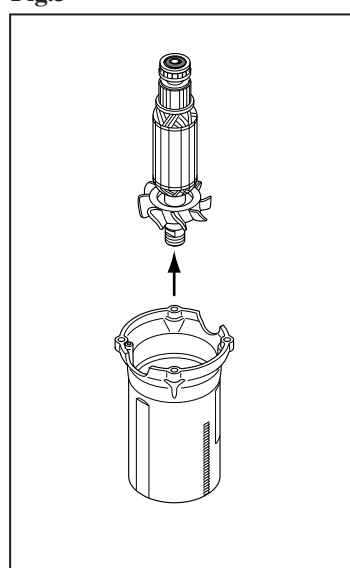


Fig.4

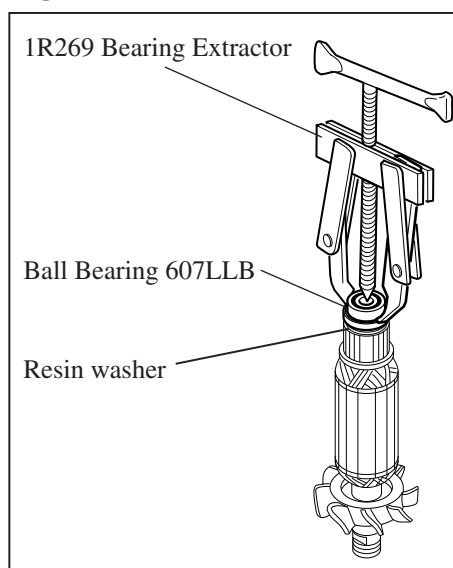
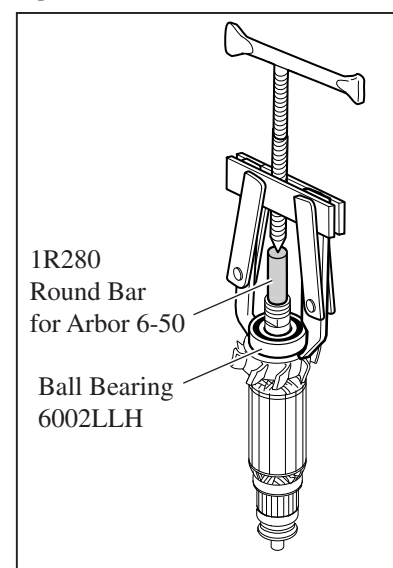


Fig.5



► **Repair**

[3] **Assembling Armature**

Be sure to put wave washer 23 into place in Motor housing complete as **Fig.7** and **Fig.8** before fixing Armature ass'y to Motor housing complete.

Fig.7.

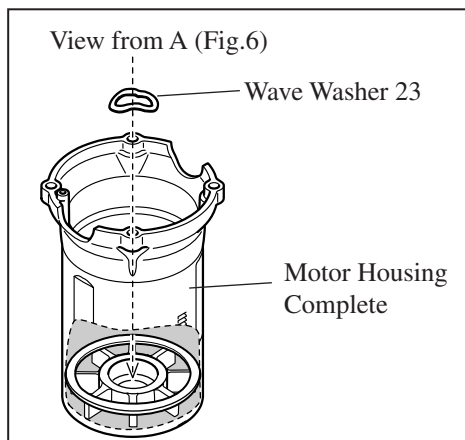
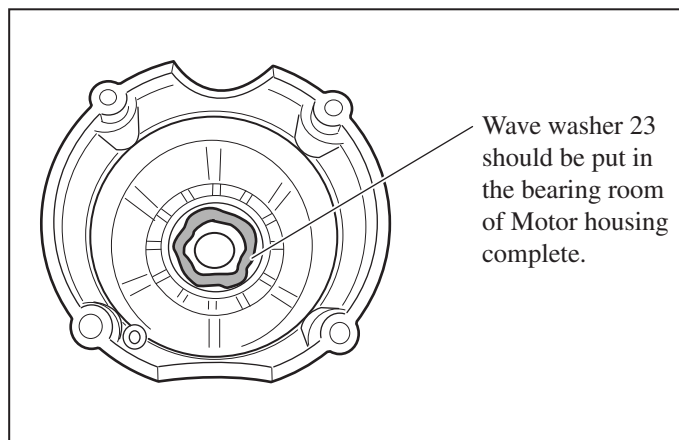


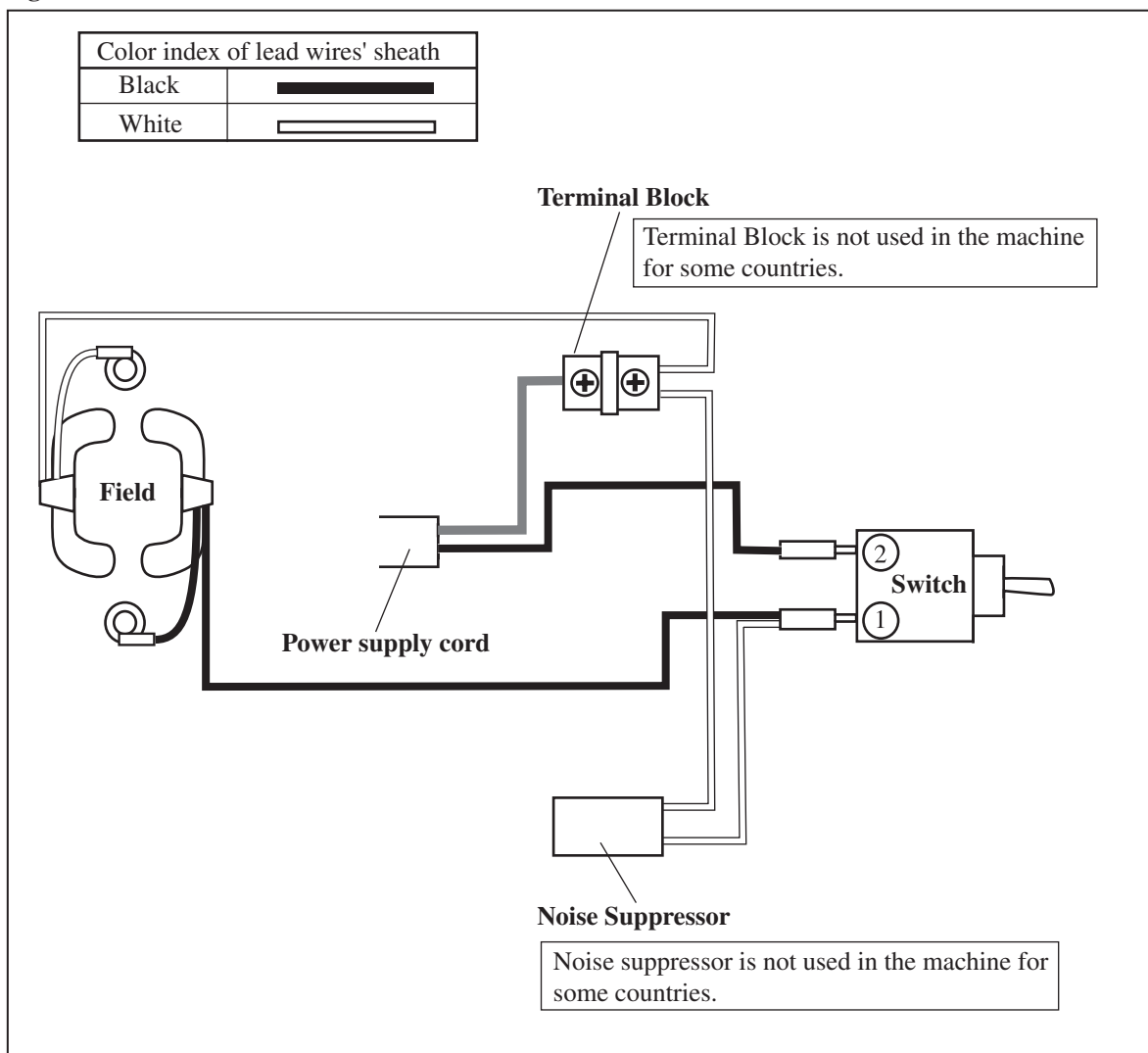
Fig.8.



► **Circuit diagram**

Refer to **Fig.9**.

Fig.9

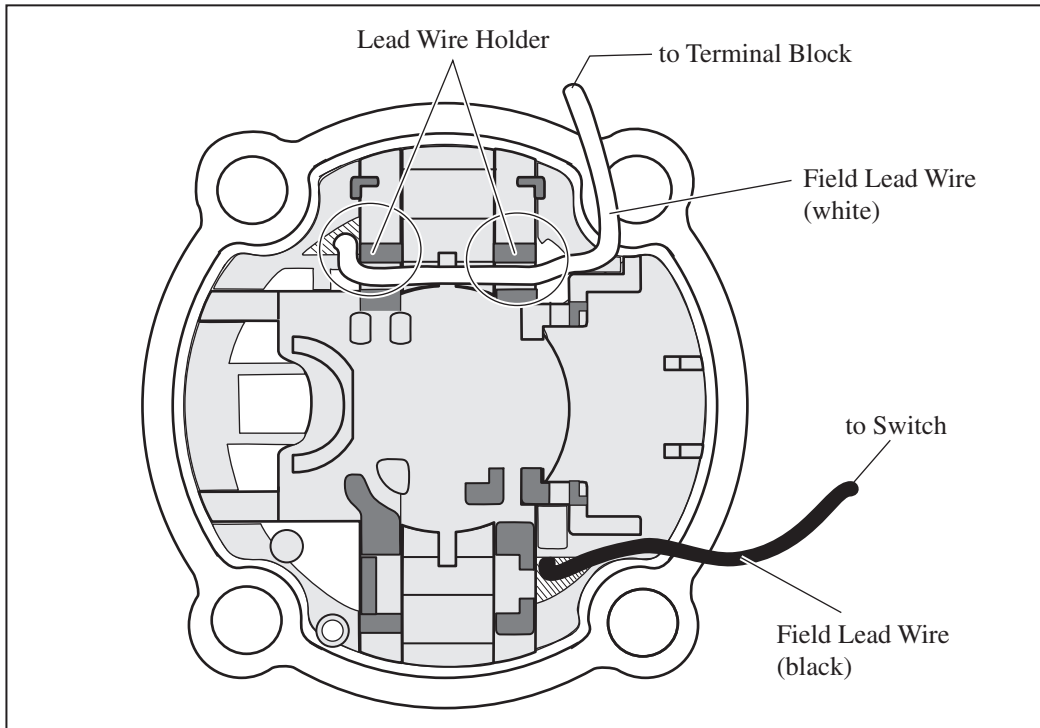


▶ Wiring diagram

Wiring of Field Lead Wires (Before Mounting Electrical Parts)

Put field lead wire (white) into lead wire holder as Fig.10.

Fig.10.



Wiring of Field Lead Wires (After Mounting Electrical Parts)

1. Put one of lead wire of Power supply cord into lead wire holder.
 2. Put one of lead wire (white) of Noise suppressor into lead wire holder.
- See Fig.11.

Fig.11.

