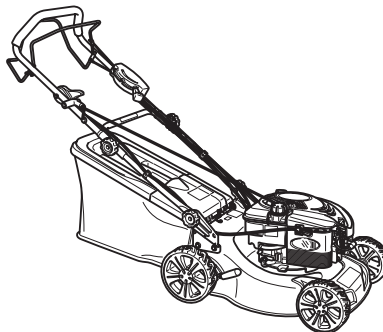
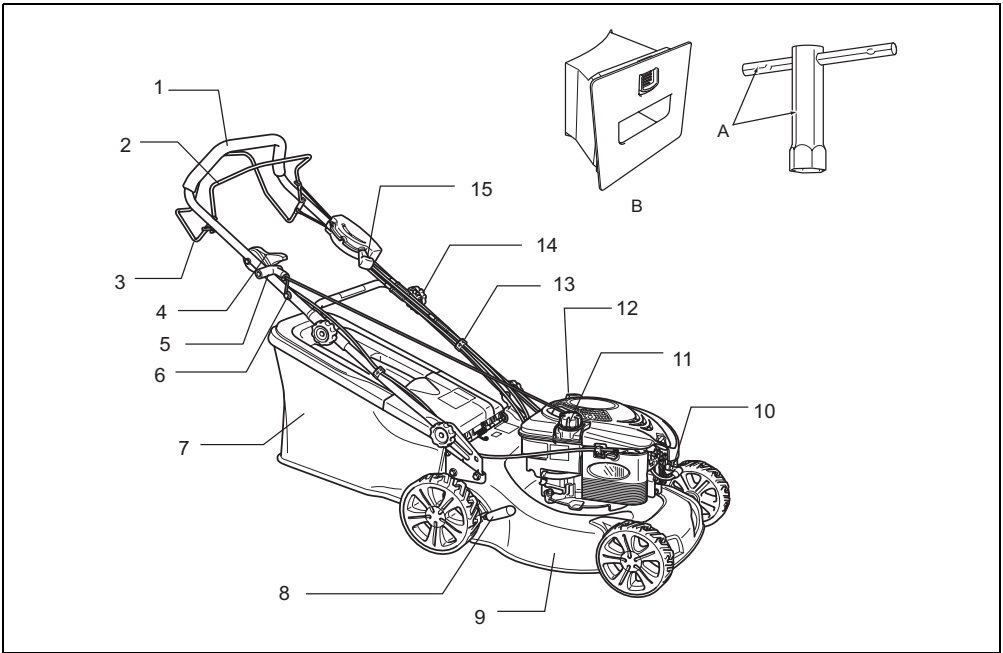




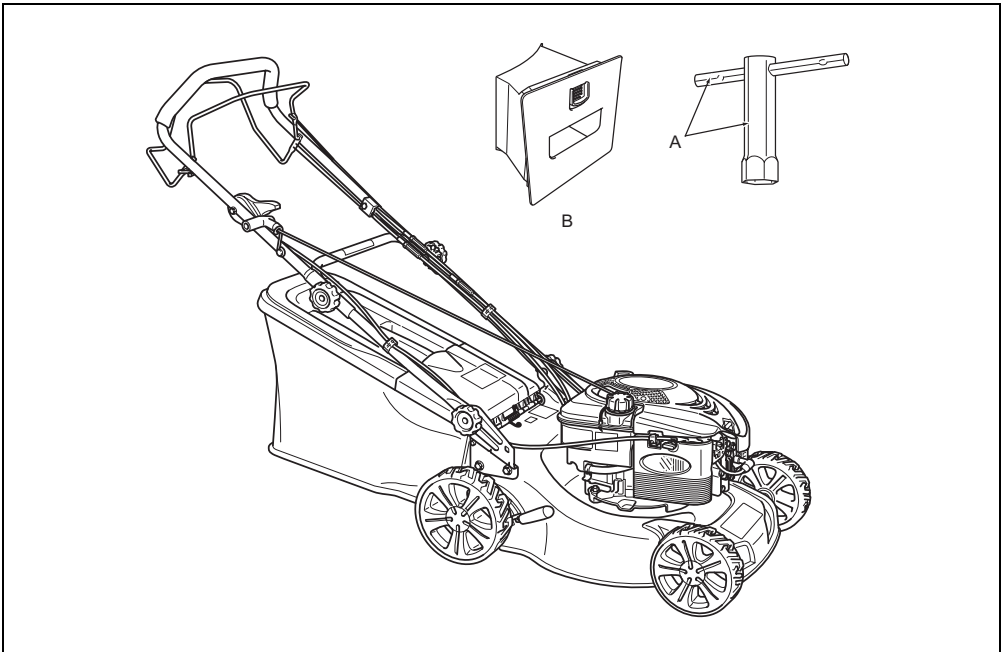
|            |   |  |
|------------|---|--|
| <b>GB</b>  | Petrol Lawn Mower                       | Original Instruction manual              |
| <b>D</b>   | Benzin-Rasenmäher                       | Original-Bedienungsanleitung             |
| <b>F</b>   | Tondeuse à gazon à essence              | Manuel d'instructions d'origine          |
| <b>I</b>   | Rasaerba con motore a benzina           | Manuale di istruzioni originale          |
| <b>NL</b>  | Grasmaaier met benzinemotor             | Oorspronkelijke gebruiksaanwijzing       |
| <b>E</b>   | Cortadora de pasto con motor a gasolina | Manual de instrucciones original         |
| <b>P</b>   | Corta-relva a gasolina                  | Manual de instruções original            |
| <b>GR</b>  | Βενζινοκίνητο χλοοκοπτικό               | Πρωτότυπο εγχειρίδιο οδηγιών             |
| <b>TR</b>  | Benzinli çim biçme makinesi             | Orijinal Kullanım kılavuzu               |
| <b>S</b>   | Bensindriven gräsklippare               | Bruksanvisning                           |
| <b>DK</b>  | Benzinplæneklipper                      | Original brugsanvisning                  |
| <b>FIN</b> | Bensiinikäyttöinen ruohonleikkuri       | Alkuperäinen käyttöohje                  |
| <b>CZ</b>  | Benzínová sekačka na trávu              | Originální návod k obsluze               |
| <b>PO</b>  | Spalinowa kosiarka do trawy             | Instrukcja obsługi                       |
| <b>HU</b>  | Benzinmotoros fűnyíró                   | Eredeti használati útmutató              |
| <b>RU</b>  | Газонокосилка с бензиновым двигателем   | Оригинальное руководство по эксплуатации |
| <b>HR</b>  | Benzinska kosilica za travu             | Originalni priručnik s uputama           |
| <b>SLO</b> | Kosilnica z bencinskim motorjem         | Originalni priročnik navodil             |
| <b>SK</b>  | Benzínová kosačka                       | Pôvodný návod na obsluhu                 |
| <b>RO</b>  | Mașină de tuns iarba pe bază de benzină | Manual de instrucțiuni al producătorului |
| <b>LT</b>  | Benzininė žoliapjovė                    | Originali naudojimo instrukcija          |
| <b>LV</b>  | Benzīna zāles pļaujmašīna               | Orīginālā lietošanas rokasgrāmata        |
| <b>EE</b>  | Bensiinimootoriga muruniiduk            | Originaalne kasutusjuhend                |
| <b>CS</b>  | Kosilica na benzin                      | Originalni priručnik sa uputstvima       |
| <b>PR</b>  | ماشین چمن زنی بنزینی                    | دفترچه راهنمای اصلی                      |

**PLM4621**  
**PLM4622**

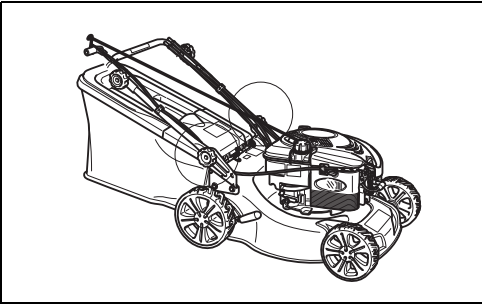




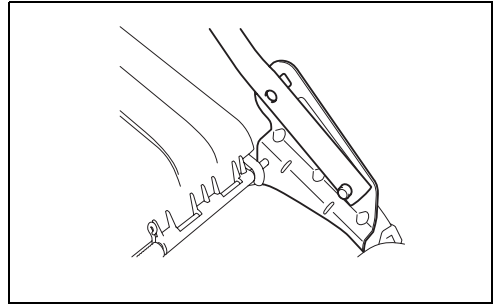
**1 PLM4622**



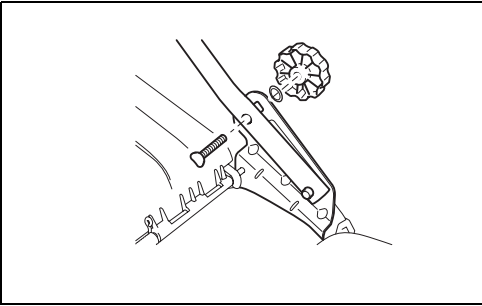
**2 PLM4621**



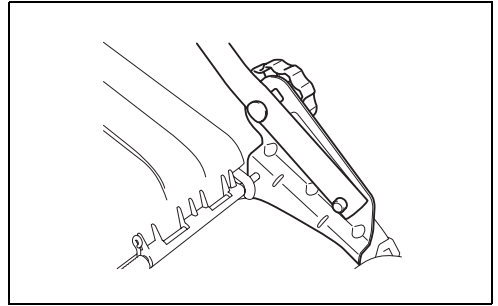
3



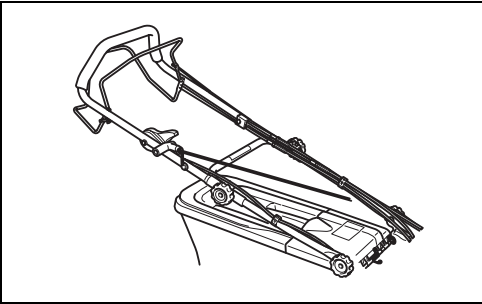
4



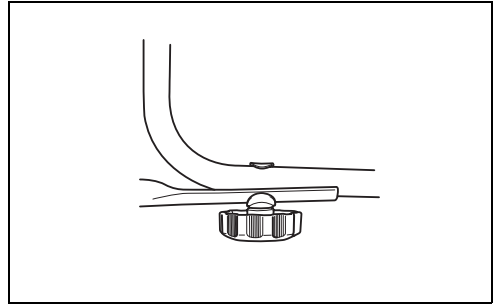
5



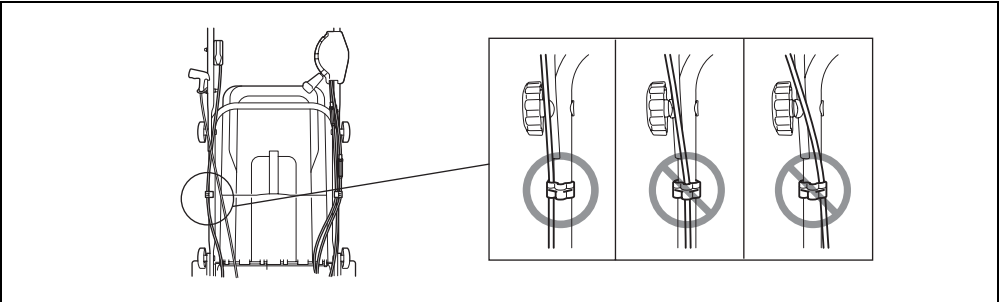
6



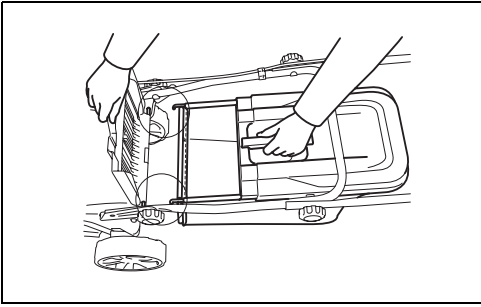
7



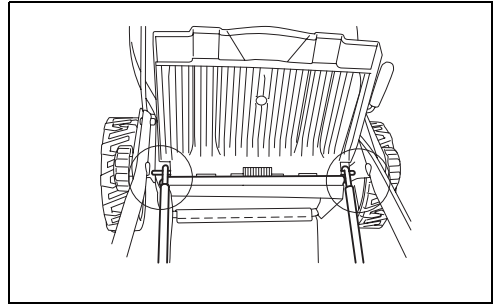
8



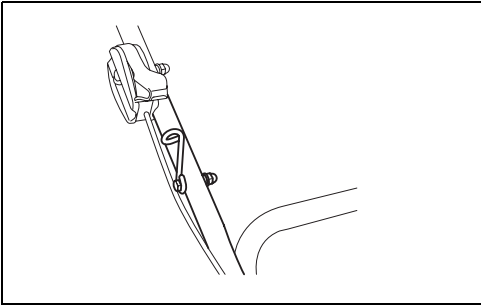
9



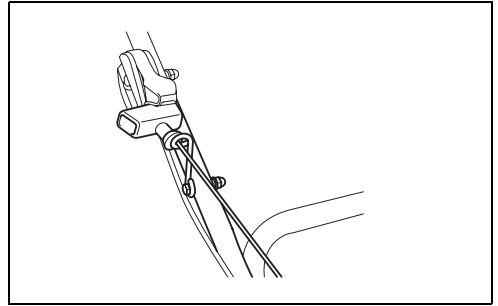
10



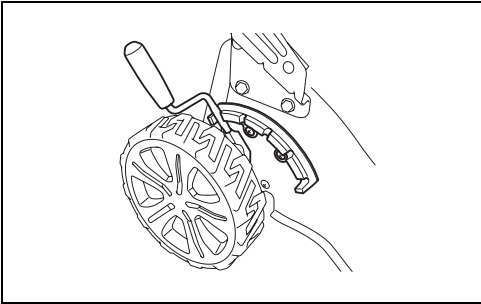
11



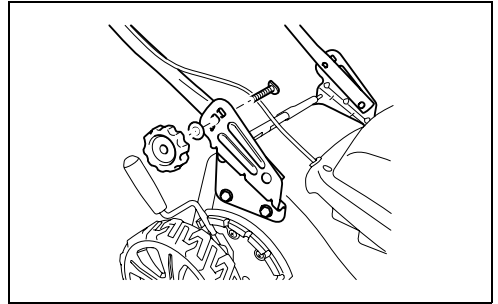
12



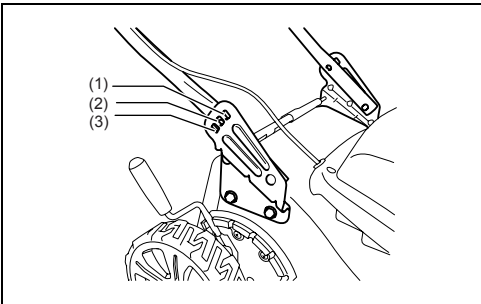
13



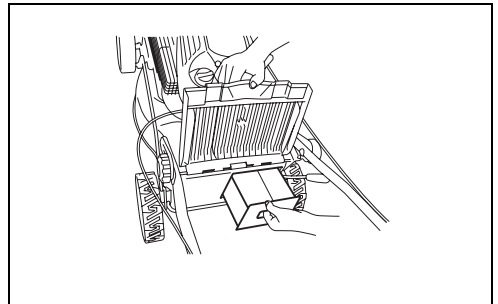
14



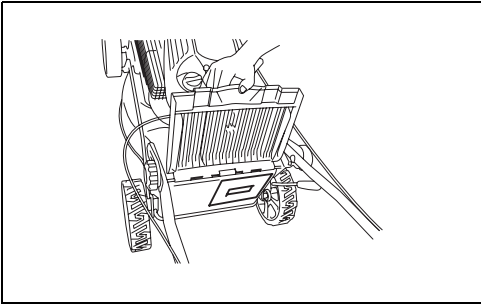
15



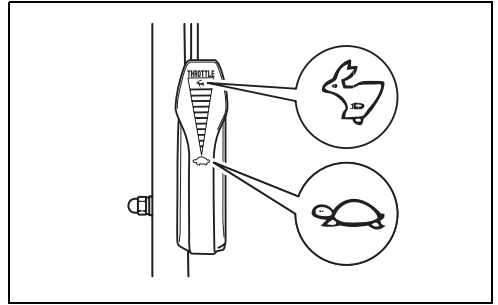
16



17



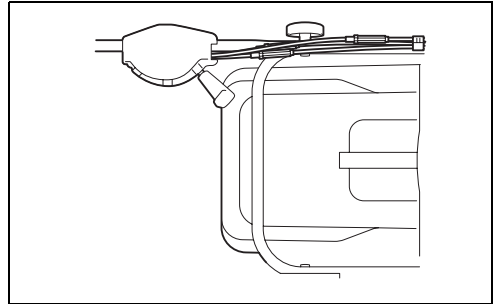
18



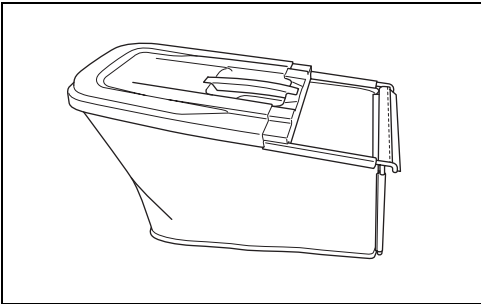
19



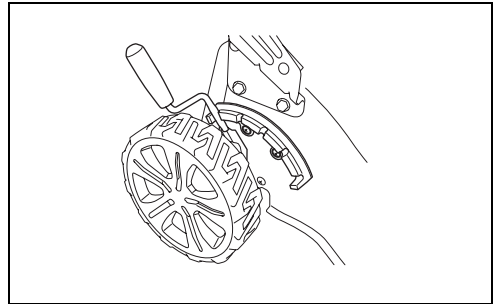
20



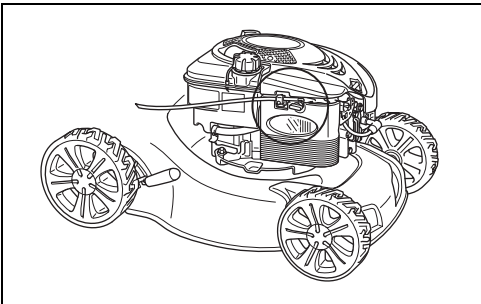
21



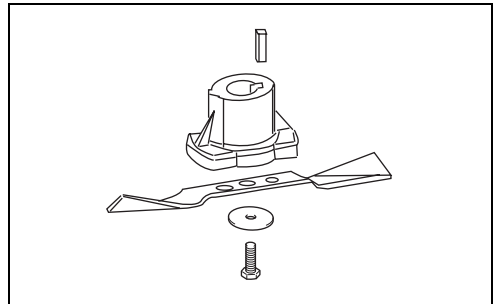
22



23



24



25

## CONTENTS

|                      |     |
|----------------------|-----|
| ENGLISH .....        | 7   |
| DEUTSCH .....        | 15  |
| FRANÇAIS .....       | 24  |
| ITALIANO .....       | 32  |
| NEDERLANDS .....     | 40  |
| ESPAÑOL .....        | 48  |
| PORTUGUÊS .....      | 57  |
| ΕΛΛΗΝΙΚΑ .....       | 65  |
| TÜRKÇE .....         | 74  |
| SVENSKA .....        | 82  |
| DANSK .....          | 90  |
| SUOMI .....          | 98  |
| ČESKY .....          | 106 |
| POLSKI .....         | 114 |
| MAGYAR .....         | 123 |
| РУССКИЙ .....        | 131 |
| HRVATSKI .....       | 140 |
| SLOVENŠČINA .....    | 148 |
| SLOVENČINA .....     | 156 |
| ROMÂNĂ .....         | 164 |
| LIETUVIŲ KALBA ..... | 172 |
| LATVIEŠU .....       | 180 |
| EESTI .....          | 188 |
| SRPSKI .....         | 196 |
| فارسی .....          | 211 |

**Explanation of general view**

- |                              |                           |                           |
|------------------------------|---------------------------|---------------------------|
| 1. Upper handle              | 6. Rope guide             | 11. Fuel cap              |
| 2. Stop control handle       | 7. Grass sack             | 12. Oil cap               |
| 3. Self-drive control handle | 8. Height adjusting lever | 13. Cable clamp           |
| 4. Engine speed lever        | 9. Deck                   | 14. Locking knob          |
| 5. Starter handle            | 10. Spark Plug            | 15. Speed adjusting lever |



**WARNING**

For your own safety please read this manual before attempting to operate your new unit. Failure to follow instructions can result in serious personal injury. Spend a few moments to familiarize yourself with your mower before each use.

**1. SYMBOLS MARKED ON THE PRODUCT**



Read operator's manual.



Keep bystanders away.



Pay more attention to the operator's hands and feet to avoid injured.



Toxic fumes; Don't operate inside house.



Fuel is flammable, keep fire away. Do not add fuel with running machine.



When mowing, please wear the glasses and ear plugs to defend the operator himself.



When repairing, please pick up the spark plug, then repair it according to the operational manual.



Caution: Engine hot.



Release switch handle to stop the motor.



Grip self-drive control handle to move forward.

**2. GENERAL SAFETY RULES**



**WARNING:** When using petrol tools, basic safety precautions, including the following, should always be followed to reduce the risk of serious personal injury and/or damage to the unit.

Read all these instructions before operating this product and retain these instructions for future reference.



**WARNING:** This machine produces an electromagnetic field during operation. Under some circumstances this field may interfere with active or passive medical implants. To reduce the risk of serious or fatal injury, we recommend persons with medical implants to consult their physician and the medical implant manufacturer before operating this machine.

**Training**

- Read the instructions carefully. Be familiar with the controls and the proper use of the equipment.
- Never allow children or people unfamiliar with these instructions to use the lawn mower. Local regulations can restrict the age of the operator.
- Never mow while people, especially children, or pets are nearby.
- Keep in mind that the operator or user is responsible for accidents or hazards occurring to other people or their property.

**Preparation**

- While mowing, always wear substantial footwear and long trousers. Do not operate the equipment when barefoot or wearing open sandals.
- Thoroughly inspect the area where the equipment is to be used and remove all objects which can be thrown by the machine.
- **WARNING-** Petrol is highly flammable.

- store fuel in containers specifically designed for this purpose;
- refuel outdoors only and do not smoke while refueling;
- add fuel before starting the engine. Never remove the cap of the fuel tank or add petrol while the engine is running or when the engine is hot;
- if petrol is spilled, do not attempt to start the engine but move the machine away from the area of spillage and avoid creating any source of ignition until petrol vapors have dissipated;
- replace all fuel tank and container caps securely.
- Replace faulty silencers.
- Before using, always visually inspect to see that the blades, blade bolts and cutter assembly are not worn or damaged. Replace worn or damaged blades and bolts in sets to preserve balance.

## Operation

- Do not operate the engine in a confined space where dangerous carbon monoxide fumes can collect.
- Mow only in daylight or in good artificial light.
- Avoid operating the equipment in wet grass, where feasible.
- Always be sure of your footing on slopes.
- Walk, never run.
- For wheeled rotary machines, mow across the face of slopes, never up and down.
- Exercise extreme caution when changing direction on slopes.
- Do not mow excessively steep slopes.
- Use extreme caution when reversing or pulling the lawn mower towards you.
- Stop the blade(s) if the lawn mower has to be tilted for transportation when crossing surfaces other than grass, and when transporting the lawn mower to and from the area to be mowed.
- Never operate the lawn mower with defective guards, or without safety devices, for example deflectors and/or grass catchers, in place.
- Do not change the engine governor settings or overspend the engine.
- Disengage all blade and drive clutches before starting the engine.
- Start the engine carefully according to instructions and with feet well away from the blade(s).
- Do not tilt the lawn mower when starting the engine.
- Do not start the engine when standing in front of the discharge chute.
- Do not put hands or feet near or under rotating parts. Keep clear of the discharge opening at all times.
- Never pick up or carry a lawn mower while the engine is running.
- Stop the engine and disconnect the spark plug wire, make sure that all moving parts have come to a complete stop and, where a key is fitted remove the key:
  - before clearing blockages or unclogging chute;
  - before checking, cleaning or working on the lawn mower;
  - after striking a foreign object. Inspect the lawn mower for damage and make repairs before restarting and operating the lawn mower;

- if lawn mower starts to vibrate abnormally (check immediately).
- Stop the engine and disconnect the spark plug wire, make sure that all moving parts have come to a complete stop and, where a key is fitted remove the key:
  - whenever you leave the lawn mower;
  - before refueling.
- Reduce the throttle setting during engine shut down and, if the engine is provided with a shut-off valve, turn the fuel off at the conclusion of mowing.
- Only use the lawn mower for the purpose for which it is designed, for cutting and collecting grass. Any other use can be hazardous, causing damage to the machine.

## Maintenance and storage

- Keep all nuts, bolts and screws tight to be sure the equipment is in safe working condition.
- Never store the equipment with petrol in the tank inside a building where fumes can reach an open flame or spark.
- Allow the engine to cool before storing in any enclosure.
- To reduce the fire hazard, keep the engine, silencer, battery compartment and petrol storage area free of grass, leaves, or excessive grease.
- Check the grass catcher frequently for wear or deterioration.
- Replace worn or damaged parts for safety.
- If the fuel tank has to be drained, this should be done outdoors.



**WARNING:** Do not touch rotating blade.



**WARNING:** Refuel in a well ventilated area with the engine stopped.

## 3. PARTS DESCRIPTION (Fig. 1 & 2)

### Including

- A: Spark plug wrench
- B: Mulching wedge



## 4. TECHNICAL DATA

| Model                              | PLM4621                     | PLM4622                      |
|------------------------------------|-----------------------------|------------------------------|
| Engine type                        | B&S 650E series, ReadyStart | B&S 675EX series, ReadyStart |
| Self Propel                        | Yes                         | Yes                          |
| Engine Displacement                | 190 cc                      | 190 cc                       |
| Blade Width                        | 460 mm                      | 460 mm                       |
| Idle Speed                         | 2,800/min                   | 2,800/min                    |
| Fuel Tank Capacity                 | 1.0L                        | 1.0L                         |
| Oil tank capacity                  | 0.6L                        | 0.6L                         |
| Grass catch bag capacity           | 60L                         | 60L                          |
| Net Weight                         | 33.8 kg                     | 35.4 kg                      |
| Height adjustment                  | 20-75 mm, 5 adjustment      | 20-75 mm, 5 adjustment       |
| Noise according to EN836           |                             |                              |
| Sound pressure level ( $L_{pA}$ ): | 81.5 dB (A)                 | 83.1 dB (A)                  |
| Sound power level ( $L_{wA}$ ):    | 93.1 dB (A)                 | 92.3 dB (A)                  |
| Uncertainty (K):                   | 2.41 dB (A)                 | 2.75 dB (A)                  |
| Vibration according to EN836       |                             |                              |
| Vibration emission ( $a_h$ ):      | 6.4 m/s <sup>2</sup>        | 7.5 m/s <sup>2</sup>         |
| Uncertainty (K):                   | 1.5 m/s <sup>2</sup>        | 1.5 m/s <sup>2</sup>         |

## 5. ASSEMBLY

### 5-1 ASSEMBLY THE FOLDING HANDLE

- Fix the lower handlebars into the unit body with locking knobs as shown. (Fig. 3, Fig. 4, Fig. 5, Fig. 6)
- Release the upper handlebars for folding. Connect the upper handle and the lower handle with the locking knob. (Fig. 7, Fig. 8)
- Position all cables over the handle shafts. Clamp them around the middle of lower handles by the cable clamps so that the cables are fixed on the outside of the machine. Otherwise the cables may be pinched by opening/closing the rear cover or forced by folding the upper handle. (Fig. 9)

### 5-2 ASSEMBLY THE GRASS CATCHER

- To fit: Lift the rear cover and hang the grass catcher on the shaft of rear of mower. (Fig. 10, Fig. 11)
- To remove: Grasp and lift the rear cover, remove grass catcher.

### 5-3 STARTER HANDLE

Move the starter handle from the engine to the rope guide. (Fig. 12, Fig. 13)

### 5-4 HEIGHT OF CUT

Apply outward pressure to disengage lever from rack. Move lever forward or back to adjust height. (Fig. 14 and see clause 8-9)

## 6. ADJUSTMENT FOR AN APPROPRIATE HEIGHT

- Back out the locking knob which fixed the lower handle, refer to Fig. 15.
- Refer to Fig. 16, move the lower handle up and down, adjust it to the proper height.

There is 3 adjusting height to be choose on this type lawn mower; at 1 height, lower handle to the ground is highest., 3 height is the lowest.

- Adjusting to the proper height, then fix the lower handle by the locking knobs.



**WARNING:** The left side and right side of lower handle must adjust to the same height.

## 7. MULCHING MOWER

What is mulching?

When mulching, the grass is cut in one working step, then finely chopped and returned to the grass strip as natural fertilizer.

Hints for mulch-mowing:

- Regular cut-back by max. 2 cm form 6 cm to 4 cm grass height.
- Use a sharp cutting knife.
- Do not mow wet grass.
- Set max. Motor speed.
- Only move at working pace.
- Regularly clean mulching wedge, housing inner side and mowing blade.



**WARNING:** Only with a stopped motor and standstill cutter.

- Raise the rear cover and remove the grass catcher;
- Push the mulching wedge into the deck. Lock the mulching wedge with the button into the opening on the deck. (Fig. 17, Fig. 18)
- Lower the rear cover again.

## 8. OPERATING INSTRUCTIONS

### 8-1 BEFORE STARTING

Service the engine with gasoline and oil as instructed in the separate engine manual packed in your mower. Read instructions carefully.



**WARNING:** Petrol is highly flammable.

Store fuel in containers specifically designed for this purpose.

Refuel outdoors only, before starting the engine and do not smoke while refueling or handling fuel.

Never remove the cap of the fuel tank or add petrol while the engine is running or when the engine is hot.

If petrol is spilled, do not attempt to start the engine but move the machine away from the area of spillage and avoid creating any source of ignition until petrol vapors have dissipated.



Replace all fuel tanks and container caps securely.

Before tipping the lawn mower to maintain the blade or drain oil, remove fuel from tank.



**WARNING:** Never fill fuel tank indoors, with engine running or until the engine has been allowed to cool for at least 15 minutes after running.

### 8-2 TO START ENGINE AND ENGAGE BLADE

1. The unit is equipped with a rubber boot over the end of the spark plug, make certain the metal loop on the end of the spark plug wire (inside the rubber boot) is fastened securely over the metal tip on the spark plug.
2. When starting cool engine, turn engine speed lever to “” position. When starting warm engine and Operating, turn engine speed lever to “” position. (Fig. 19)
3. Standing behind the unit, grasp the stop control handle and hold it against the upper handle as shown in Fig. 20.
4. Grasp the starter handle as shown Fig. 20 and pull it up rapidly. Return it slowly to the rope guide bolt after engine starts. Release the stop control handle to stop the engine and blade.



Start the engine carefully according to instructions and with feet well away from the blade.



Do not tilt the lawn mower when starting the engine. Start the mower on a level surface, free of high grass or obstacles.



Keep hands and feet away from the rotating parts. Do not start the engine when standing in front of the discharge opening.

### 8-3 OPERATION PROCEDURES

During operation, tightly hold the stop control handle with both hands.



**Note:** During operation, when the stop control handle is released, the engine will stop and thus stopping the lawn mower from operating.

### 8-4 TO STOP ENGINE



**CAUTION:** The blade continues to rotate for a few seconds after the engine is shut off.

1. Release the stop control handle to stop the engine and blade.
2. Disconnect and ground the spark plug wire as instructed in the separate engine manual to prevent accidental starting while equipment is unattended.

### 8-5 CONNECTION FOR AUTO MOVE

#### For PLM4621

Grip the Self-drive control handle, the lawn mower will move forward automatically with about 1 m/s, release the self-drive handle, the lawn mower will stop move.

#### For PLM4622

The mower is equipped with a speed adjusting system which can adjust 3 speeds from 3.0 km/h to 4.5 km/h. The step as below:

1. Release the Self-drive control handle until the lawn mower doesn't go forward.
2. Adjust the appropriate speed which you want.
3. Grasp the Self-drive control handle to go on mowing. (Fig. 21)



**CAUTION:** Your mower is designed to cut normal residential grass of a height no more than 250 mm. Do not attempt to mow through unusually tall dry or wet grass (e.g., pasture) or piles of dry leaves. Debris may build up on the mower deck or contact the engine exhaust presenting a potential fire hazard.

### 8-6 FOR THE BEST RESULTS WHEN MULCHING

Clear lawn of debris. Be sure that the lawn is clear of stones, sticks, wire or other foreign objects which could be accidentally thrown out by the mower in any direction and cause serious personal injury to the operator and others as well as damage to property and surrounding objects. Do not cut wet grass. For effective mulching do not cut wet grass because it tends to stick to the underside of the deck preventing proper mulching of the grass clippings. Cut no more than 1/3 the length of the grass. The recommended cut for mulching is 1/3 the length of the grass. Ground speed will need to be adjusted so the clippings can be dispersed evenly into the lawn. For especially heavy cutting in thick grass it may be necessary to use one of the slowest speeds in order to get a clean well mulched cut. When mulching long grass you may have to cut the lawn in two passes, lowering the blade another 1/3 of the length for the second cut and

perhaps cutting in a different pattern than was used the first time.

Overlapping the cut a little on each pass will also help to clean up any stray clippings left on the lawn. The mower should always be operated at full throttle to get the best cut and allow it to do the most effective job of mulching. Clean underside of deck.

Be certain to clean the underside of the cutting deck after each use to avoid a build-up of grass, which would prevent proper mulching. Mulching leaves. The mulching of leaves can also be beneficial to your lawn. When mulching leaves make sure they are dry and are not laying too thick on the lawn. Do not wait for all the leaves to be off the trees before you mulch.



**WARNING:** If you strike a foreign object, stop the engine. Remove wire from spark plug, thoroughly inspect the mower for any damage and repair the damage before restarting and operating the mower. Extensive vibration of the mower during operation is an indication of damage. The unit should be promptly inspected and repaired.

## 8-7 GRASS CATCHER

Empty and clean the bag, make sure it is clean and ensure its meshwork is ventilated. (Fig. 22)

## 8-8 DECK

The underside of the mower deck should be cleaned after each use to prevent a buildup of grass clippings, leaves, dirt or other matter. If this debris is allowed to accumulate, it will invite rust and corrosion, and may prevent proper mulching. The deck may be cleaned by tilting the mower and scraping clean with a suitable tool (make certain the spark plug wire is disconnected).

## 8-9 HEIGHT ADJUSTMENT INSTRUCTIONS



**CAUTION:** Do not at any time make any adjustment to lawn mower without first stopping the engine and disconnecting the spark plug wire.



**CAUTION:** Before changing mowing height, stop mower and disconnect spark plug cable. Your mower is equipped with a central height adjustment lever offering 5 height positions.

1. Stop mower and disconnect spark plug cable before changing mower cutting height.
2. The central height adjustment lever offers you 5 different height positions.
3. To change the height of cut, squeeze adjuster lever toward the wheel, moving up or down to selected height. (Fig. 23) All wheels will be in the same height of cut.

# 9. MAINTENANCE INSTRUCTIONS

## SPARK PLUG

Use only original replacement spark plug. For best results, replace the spark plug every 100 hours of use. (refer to ENGINE OWNER'S MANUAL)

# 10. LUBRICATION INSTRUCTIONS



**CAUTION:** DISCONNECT SPARK PLUG BEFORE SERVICING.

1. WHEELS-Lubricate the ball bearings in each wheel at least once a season with a light oil.
2. ENGINE-Follow engine manual for lubrication instructions.
3. BLADE CONTROL-Lubricate the pivot points on the blade control handle and the brake cable at least once a season with light oil. The blade control must operate freely in both directions.

# 11. CLEANING



**CAUTION:** Do not hose engine. Water can damage engine or contaminate the fuel system.

1. Wipe deck with dry cloth.
2. Hose under deck by tilting the mower so that the spark plug is up.

## 11-1 ENGINE AIR CLEANER



**CAUTION:** Do not allow dirt or dust to clog the air filter foam element.

The engine air cleaner element must be serviced (cleaned) after 25 hours normal mowing. The foam element must be serviced regularly if the mower is used in dry dusty conditions. (refer to ENGINE OWNER'S MANUAL)

## To CLEAN AIR FILTER

1. Remove screw.
2. Remove cover.
3. Wash filter element in soap water. **DO NOT USE GASOLINE!**
4. Air dry filter element.
5. Place a few drops of SAE30 oil on the foam filter and squeeze tightly to remove any excess oil.
6. Reinstall filter.



**NOTE:** Replace filter if frayed, torn, damaged or unable to be cleaned. (Fig. 24)

## 11-2 CUTTING BLADE



**CAUTION:** Be sure to disconnect and ground the spark plug wire before working on the cutting blade to

prevent accidental engine starting. Protect hands by using heavy gloves or a rag to grasp the cutting blades. Tip mower as specified in separate engine manual. Remove the hex bolt and washer which hold the blade and blade adapter to the engine crankshaft. Remove the blade and adapter from the crankshaft.



**WARNING:** Periodically inspect the blade adapter for cracks, especially if you strike a foreign object. Replace when necessary.

For best results your blade should be sharp. The blade may be resharpened by removing it and either grinding or filing the cutting edge keeping as close to the original bevel as possible. It is extremely important that each cutting edge receives an equal amount of grinding to prevent an unbalanced blade. Improper blade balance will result in excessive vibration causing eventual damage to the engine and mower. Be sure to carefully balance blade after sharpening. The blade can be tested for balance by balancing it on a round shaft screwdriver. Remove metal from the heavy side until it balances evenly. **(Fig. 25)** Before reassembling the blade and the blade adapter to the unit, lubricate the engine crankshaft and the inner surface of the blade adapter with light oil. Install the blade adapter on the crankshaft with the "star" away from the engine. Refer to **Fig. 25**. Place the blade with the part number facing away from the adapter. Align the washer over the blade and insert the hex bolt. Tighten the hex bolt to the torque listed below.

### 11-3 BLADE MOUNTING TORQUE

Center Bolt must be tightened to 35 - 45 Nm torque. To insure safe operation of your unit. ALL nuts and bolts must be checked periodically for correct tightness. After prolonged use, especially in sandy soil conditions, the blade will become worn and lose some of the original shape. Cutting efficiently will be reduced and the blade should be replaced. Replace with an approved factory replacement blade only. Possible damage resulting from blade unbalance condition is not the responsibility of the manufacturer. When you change the blade, must use the original type marked on the blade (MAKITA 263001451) (for order the blade, pls. contact your local dealer or call our company).



**WARNING:** Do not touch rotating blade.

### 11-4 ENGINE

Refer to the separate engine manual for engine maintenance instructions.

Maintain engine oil as instructed in the separate engine manual packed with your unit.

Read and follow instructions carefully.

Service air cleaner as per separate engine manual under normal conditions. Clean every few hours under extremely dusty conditions. Poor engine performance and flooding usually indicates that the air cleaner should be serviced.

To service the air cleaner, refer to the separate engine manual packed with your unit.

The spark plug should be cleaned and the gap reset once a season. Spark plug replacement is recommended at the

start of each mowing season; check engine manual for correct plug type and gap specifications. Clean the engine regularly with a cloth or brush. Keep the cooling system (blower housing area) clean to permit proper air circulation which is essential to engine performance and life. Be certain to remove all grass, dirt and combustible debris from muffler area.

## 12. STORAGE INSTRUCTIONS (OFF SEASON)

The following steps should be taken to prepare lawn mower for storage.

1. Following the final cut of the season allow the fuel tank to run dry.
2. Clean and lubricate mower thoroughly as described in the lubrication instructions.
3. Refer to engine manual for correct engine storage instructions.
4. Lightly coat mower's cutting blade with chassis grease to prevent rusting.
5. Store mower in a dry, clean area.



### NOTE:

- When storing any type of power equipment in an unventilated or material storage shed;
- Care should be taken to rust-proof the equipment. Using a light oil or silicone, coat the equipment, especially cables and all moving parts.
- Be careful not to bend or kink cables.
- If the starter rope becomes disconnected from rope guide on handle, disconnect and ground the spark plug wire, Depress the blade control handle and pull the starter rope out from engine slowly. Slip the starter rope into the rope guide bolt on handle.

## 13. TROUBLE SHOOTING

| PROBLEM                                   | PROBABLE CAUSE  | CORRECTIVE ACTION   |
|---|---|---|
| Engine does not start.                    | Throttle choke not in the correct position for the prevailing conditions. | Move throttle choke to correct position.  |
|   | Fuel tank is empty.   | Fill tank with fuel: refer to ENGINE OWNERS MANUAL.   |
|   | Air cleaner element is dirty.   | Clean air cleaner element: refer to ENGINE OWNERS MANUAL.   |
|   | Spark plug loose.   | Tighten spark plug to 25 - 30 Nm.   |
|   | Spark plug wire loose or disconnected from plug.                          | Install spark plug wire on spark plug.  |
|   | Spark plug gap is incorrect.  | Set gap between electrodes at 0.7 to 0.8 mm.  |
|   | Spark plug is defective.  | Install new, correctly gapped plug: refer to ENGINE OWNERS MANUAL.  |
|   | Carburetor is flooded with fuel.  | Remove air cleaner element and pull starter rope continuously until carburetor clears itself and install air cleaner element. |
| Engine difficult to start or loses power. | Faulty ignition module.   | Contact Makita authorised service centre.   |
|   | Dirt, water, or stale fuel tank.  | Drain fuel and clean tank. Fill tank with clean, fresh fuel.  |
|   | Vent hole in fuel tank cap is plugged.                                    | Clean or replace fuel tank cap.   |
| Engine operates erratically.              | Air cleaner element is dirty.   | Clean air cleaner element.  |
|   | Spark plug is defective.  | Install new, correctly gapped plug: refer to ENGINE OWNERS MANUAL.  |
|   | Spark plug gap is incorrect.  | Set gap between electrodes at 0.7 to 0.8 mm.  |
| Engine idles poorly.                      | Air cleaner element is dirty.   | Clean air cleaner element: refer to ENGINE OWNERS MANUAL.   |
|   | Air slots in engine shroud are blocked.                                   | Remove debris from slots.   |
|   | Cooling fins and air passages under engine blower housing are blocked.    | Remove debris from cooling fins and air passages.   |
| Engine skips at high speed.               | Gap between electrodes of spark plug is too close.                        | Set gap between electrodes at 0.7 to 0.8 mm.  |
| Engine overheats.                         | Cooling air flow is restricted.   | Remove any debris from slots in shroud, blower housing, air passages.   |
|   | Incorrect spark plug.   | Install RJ19LMC spark plug and cooling fins on engine.  |
| Mower vibrates abnormally.                | Cutting assembly is loose.  | Tighten blade.  |
|   | Cutting assembly is unbalanced.   | Balance blade.  |

## 14. ENVIRONMENT

Should your machine need replacement after extended use, do not put it in the domestic waste but dispose of it in an environmentally safe way.

**For European countries only**  
**EC Declaration of Conformity**  
**We Makita Corporation as the responsible manufacturer declare that the following Makita machine(s):**

Designation of Machine: Petrol Lawn Mower  
 Model No./ Type: PLM4621, PLM4622  
 Specifications: See "4. Technical Data"  
 are of series production and

**Conforms to the following European Directives:**

2006/42/EC, 2004/108/EC,  
 2000/14/EC & 2005/88/EC

And are manufactured in accordance with the following standards or standardised documents:

EN836, EN ISO14982

The technical documentation is kept by our authorised representative in Europe who is:

Makita International Europe Ltd.,  
 Michigan, Drive, Tongwell,  
 Milton Keynes, MK15 8JD, England

The conformity assessment procedure required by Directive 2000/14/EC was in Accordance with annex VI.

Notified Body:

TÜV SÜD Industrie Service GmbH  
Westendstraße 199, D-80686 München  
Identification number: 0036

Model PLM4621

Measured Sound Power Level: 93.1 dB  
Guaranteed Sound Power Level: 96 dB

Model PLM4622

Measured Sound Power Level: 92.3 dB  
Guaranteed Sound Power Level: 96 dB

11. 11. 2011



Tomoyasu Kato  
Director  
Makita Corporation  
3-11-8, Sumiyoshi-cho,  
Anjo, Aichi, JAPAN

**Erklärung der Gesamtdarstellung**

- |                            |                               |                    |
|----------------------------|-------------------------------|--------------------|
| 1. Oberer Griff            | 6. Seilführung                | 11. Tankdeckel     |
| 2. Stoppregelgriff         | 7. Grassack                   | 12. Öldeckel       |
| 3. Selbstfahrgriff         | 8. Hebel für Höheneinstellung | 13. Kabelklemme    |
| 4. Hebel für Motordrehzahl | 9. Boden                      | 14. Feststellknopf |
| 5. Startergriff            | 10. Zündkerzenstecker         | 15. Gashebel       |



**WARNUNG**

Lesen Sie zu Ihrer eigenen Sicherheit dieses Handbuch vor der Aufnahme des Betriebs Ihres neuen Geräts durch. Werden die folgenden Anweisungen nicht befolgt, besteht die Gefahr schwerer Verletzungen. Nehmen Sie sich vor jeder Verwendung ein wenig Zeit, sich mit Ihrem Mäher vertraut zu machen.



Achtung: Motor ist heiß.



Lassen Sie den Schaltergriff los, um den Motor zu stoppen.



Um vorwärts zu fahren, erfassen Sie den Selbstfahr-Steuergreif.

**1. SYMBOLE AM PRODUKT**



Lesen Sie die Bedienungsanleitung.



Halten Sie Umstehende fern.



Achten Sie beim Bedienen vor allem auf Ihre Hände und Füße, um Verletzungen zu vermeiden.



Giftige Dämpfe! Kein Betrieb im Innenbereich.



Kraftstoffe sind brennbar. Kein Feuer! Füllen Sie Kraftstoff nicht bei laufendem Motor nach.



Tragen Sie beim Mähen Schutzbrille und Ohrstöpsel, um sich selbst zu schützen.



Ziehen Sie vor Reparaturarbeiten die Zündkerze heraus und nehmen Sie anschließend die Reparatur anhand der Bedienungsanleitung vor.

**2. ALLGEMEINE SICHERHEITSREGELN**



**WARNUNG:** Bei der Verwendung von Benzinwerkzeugen müssen Sie stets grundlegende Sicherheitsmaßnahmen befolgen, einschließlich der Folgenden, um das Risiko von schweren Verletzungen und/oder Schäden am Gerät zu verringern. Lesen Sie vor der Inbetriebnahme dieses Produkts alle Anweisungen durch, und bewahren Sie diese zum späteren Nachschlagen auf.



**WARNUNG:** Während des Betriebs erzeugt diese Maschine ein elektromagnetisches Feld. Unter bestimmten Umständen kann dieses Feld aktive oder passive medizinische Implantate beeinträchtigen. Zur Verminderung des Risikos ernsthafter oder tödlicher Verletzungen empfehlen wir Personen mit medizinischen Implantaten, sich vor der Bedienung dieser Maschine an den Arzt oder den Hersteller des medizinischen Implantats zu wenden.

**Einarbeitung**

- Lesen Sie alle Anweisungen aufmerksam. Machen Sie sich mit der Bedienung und der ordnungsgemäßen Verwendung des Mähers vertraut.
- Erlauben Sie Kindern und Personen, die diese Anleitungen nicht kennen, NIEMALS den Gebrauch des Rasenmähers. Örtliche Bestimmungen können das Mindestalter für den Bediener festlegen.
- Mähen Sie niemals, wenn Personen, vor allem Kinder, oder Haustiere in der Nähe sind.
- Beachten Sie, dass der Bediener für Unfälle mit oder Gefahren für andere Personen oder deren Eigentum verantwortlich ist.

## Vorbereitung

- Tragen Sie während des Mähens stets festes Schuhwerk und lange Hosen. Mähen Sie nicht barfuß oder mit leichten Sandalen.
- Überprüfen Sie sorgfältig das zu mähende Gelände und entfernen Sie alle Gegenstände, die von dem Mäher weggeschleudert werden können.
- **WARNUNG-** Benzin ist leicht entzündlich.
  - lagern Sie Benzin ausschließlich in dafür vorgesehenen Kanistern;
  - füllen Sie Benzin nur im Freien nach und rauchen Sie nicht dabei;
  - füllen Sie Benzin vor dem Starten des Motors nach. Entfernen Sie niemals die Tankkappe und füllen Sie Benzin nach, wenn der Motor läuft oder heiß ist;
  - falls Benzin ausläuft, starten Sie den Motor nicht, sondern bewegen Sie den Mäher aus diesem Bereich heraus und vermeiden Sie strengsten jede Art von Zündung, bis der Benzindampf verfliegen ist;
  - setzen Sie alle Deckel für den Benzintank und Kanister wieder fest auf.
- Tauschen Sie defekte Schalldämpfer aus.
- Führen Sie vor jedem Gebrauch eine Sichtprüfung der Schnittmesser, Schrauben und Schnittinheit auf Verschleiß und Beschädigungen durch. Tauschen Sie verschlissene oder beschädigte Schneiden und Schrauben nur satzweise aus, um eine Unwucht zu vermeiden.

## Betrieb

- Betreiben Sie den Motor nicht in Innenräumen, wo sich gefährliches Kohlenmonoxid ansammeln kann.
- Mähen Sie ausschließlich bei Tageslicht oder ausreichendem Kunstlicht.
- Vermeiden Sie, wenn möglich, den Betrieb des Mähers in feuchtem Gras.
- Achten Sie immer darauf, dass Sie an Hängen einen guten Stand haben.
- Laufen Sie beim Mähen, rennen Sie niemals beim Mähen.
- Mähen Sie bei Walzenmähern quer zum Hang, niemals nach oben und unten.
- Seien Sie besonders vorsichtig, wenn Sie die Richtung am Hang ändern.
- Mähen Sie nicht an Hängen mit übermäßiger Neigung.
- Seien Sie besonders vorsichtig, wenn Sie den Mäher zu sich heranziehen.
- Stoppen Sie das Schnittwerkzeug, wenn der Mäher beim Transport geneigt werden muss, z.B. beim Überqueren von Flächen, die kein Rasen sind, oder beim Transport von und zum zu mähenden Gelände.
- Verwenden Sie den Mäher niemals mit defekten oder ohne Schutzvorrichtungen, beispielsweise ohne Schutzbleche und/oder Grasfänger.
- Ändern Sie niemals die Einstellung des Dieselmotorreglers oder überlasten Sie den Motor nicht.
- Kuppeln Sie alle Blatt- und Antriebskupplungen aus, bevor Sie den Motor starten.
- Starten Sie den Motor vorsichtig entsprechend den Anweisungen und mit ausreichendem Abstand zwischen Füßen und Schnittwerkzeug.

- Kippen Sie Rasenmäher nicht, wenn Sie den Motor starten.
- Starten Sie den Motor nicht, wenn Sie vor der Auswurföffnung stehen.
- Halten Sie weder Hände noch Füße in die Nähe oder unter rotierende Teile. Achten Sie jederzeit auf ausreichenden Abstand zur Auswurföffnung.
- Heben oder tragen Sie einen Rasenmäher niemals mit laufendem Motor.
- Stoppen Sie in folgenden Situationen den Motor und ziehen Sie das Zündkabel ab, vergewissern Sie sich, dass alle sich bewegenden Teile zum völligen Stillstand gekommen sind und entfernen Sie, falls vorhanden, den Schlüssel.
  - vor dem Lösen von Blockierung oder Reinigen des Auswurfs;
  - vor dem Prüfen, Reinigen oder Arbeiten am Rasenmäher;
  - nach dem Anschlagen an Fremdkörper. Überprüfen Sie den Rasenmäher auf Beschädigungen und nehmen Sie ggf. Reparaturen vor, bevor Sie den Rasenmäher wieder starten und den Betrieb fortsetzen;
  - falls der Rasenmäher ungewöhnlich zu vibrieren beginnt (sofort überprüfen).
- Stoppen Sie in folgenden Situationen den Motor und ziehen Sie das Zündkabel ab, vergewissern Sie sich, dass alle sich bewegenden Teile zum völligen Stillstand gekommen sind und entfernen Sie, falls vorhanden, den Schlüssel.
  - wenn Sie den Rasenmäher verlassen;
  - vor dem Auftanken.
- Verringern Sie die Gashebeleinstellung, während der Motor aus ist und, falls der Motor mit einem Rückschlagventil ausgestattet ist, leiten Sie das Benzin aus dem Ende des Rasenmähers.
- Verwenden Sie den Rasenmäher ausschließlich zum Schneiden und Sammeln von Gras. Die Verwendung zu anderen Zwecken kann gefährlich sein und zur Beschädigung der Maschine führen.

## Wartung und Lagerung

- Überprüfen Sie, dass alle Muttern, Bolzen und Schrauben stets festgezogen sind, um sichere Arbeitsbedingungen zu gewährleisten.
- Lagern Sie die Maschine niemals mit Benzin im Tank im Inneren eines Gehäuses, wo Dämpfe an offene Flammen oder Funken gelangen können.
- Lassen Sie den Motor abkühlen, bevor Sie ihn abdecken.
- Zu Minderung der Brandgefahr müssen Sie Motor, Schalldämpfer, Akkufach und Lagerbereich des Benzins frei von Gras, Blättern und übermäßiger Schmiere halten.
- Überprüfen Sie den Grasfänger häufig auf Verschleiß oder Zerstörung.
- Ersetzen Sie verschlissene oder beschädigte Teile zu Ihrer Sicherheit.
- Falls der Benzintank geleert werden muss, sollten Sie dies im Freien tun.



**WARNUNG:** Berühren Sie niemals ein rotierendes Blatt.





**WARNUNG:** Füllen Sie Benzin in einem gut belüfteten Bereich bei angehaltenem Motor nach.

## 3. BESCHREIBUNG DER BAUTEILE (Abb. 1 und 2)

### Einschließlich

A: Schlüssel für Zündkerzenstecker

B: Mulchkeil

## 4. TECHNISCHE DATEN

| Modell                                  | PLM4621                    | PLM4622                     |
|---|----------------------------|-----------------------------|
| Motortyp                                | B&S 650E-Serie, ReadyStart | B&S 675EX-Serie, ReadyStart |
| Selbstantrieb                           | Ja                         | Ja                          |
| Motorhubraum                            | 190 cm <sup>3</sup>        | 190 cm <sup>3</sup>         |
| Blattbreite                             | 460 mm                     | 460 mm                      |
| Leerlaufdrehzahl                        | 2.800 U/min                | 2.800 U/min                 |
| Volumen Kraftstofftank                  | 1,0 l                      | 1,0 l                       |
| Volumen Öltank                          | 0,6 l                      | 0,6 l                       |
| Volumen Grasfänger                      | 60 l                       | 60 l                        |
| Nettogewicht                            | 33,8 kg                    | 35,4 kg                     |
| Höheneinstellung                        | 20-75 mm, 5 Einstellungen  | 20-75 mm, 5 Einstellungen   |
| Schallpegel nach EN836                  |                            |                             |
| Schalldruckpegel (L <sub>pA</sub> ):    | 81,5 dB (A)                | 83,1 dB (A)                 |
| Schalleistungspegel (L <sub>WA</sub> ): | 93,1 dB (A)                | 92,3 dB (A)                 |
| Abweichung (K):                         | 2,41 dB (A)                | 2,75 dB (A)                 |
| Vibrationspegel nach EN836              |                            |                             |
| Schwingungsbelastung (a <sub>h</sub> ): | 6,4 m/s <sup>2</sup>       | 7,5 m/s <sup>2</sup>        |
| Abweichung (K):                         | 1,5 m/s <sup>2</sup>       | 1,5 m/s <sup>2</sup>        |

## 5. MONTAGE

### 5-1 MONTAGE DES KLAPPBAREN GRIFFS

- Befestigen Sie die untere Lenkerstange am Mäher mit den Feststellknäufen, wie in der Abbildung dargestellt. (**Abb. 3 bis 6**)
- Lösen Sie die oberen Lenkerstangen zum Klappen. Verbinden Sie oberen Griff und unteren Griff mit dem Feststellknäuf. (**Abb. 7 und 8**)
- Verlegen Sie alle Kabel über dem Griffrohr. Klemmen Sie die Kabel mit Hilfe der Kabelschellen in der Mitte der unteren Handgriffe fest, sodass die Kabel an der Außenseite des Mähers fixiert ist. Andernfalls können die Kabel beim Öffnen/Schließen der hinteren Abdeckung eingeklemmt oder beim Zusammenklappen des oberen Griffs gequetscht werden. (**Abb. 9**)

### 5-2 MONTAGE DES GRASFÄNGERS

- Einsetzen: Heben Sie die hintere Abdeckung an und haken Sie den Grasfänger an der hinteren Achse am Mäher ein. (**Abb. 10 und 11**)
- Entfernen: Heben Sie die hintere Abdeckung an und entfernen Sie den Grasfänger.

### 5-3 STARTERGRIFF

Bewegen Sie den Startgriff vom Motor zum Seilführung. (**Abb. 12 und 13**)

### 5-4 SCHNITTHÖHE

Drücken Sie von außen, um den Hebel aus dem Gestell zu drücken. Bewegen Sie den Hebel vor und zurück, um die Höhe einzustellen. (**Abb. 14 und siehe Abschnitt 8-9**)

## 6. EINSTELLEN AUF EINE GEEIGNETE HÖHE

- Ziehen Sie den Verriegelungsknopf heraus, mit dem der untere Griff befestigt ist (siehe **Abb. 15**).
- Bewegen Sie den unteren Griff entsprechend **Abb. 16** nach oben und unten und stellen Sie den Griff auf die richtige Höhe ein.  
An diesem Rasenmäher können 3 verschiedene Höhen eingestellt werden; in Stellung 1 befindet sich der untere Griff in der höchsten Position, in Stellung 3 in der tiefsten.
- Stellen Sie die gewünschte Höhe ein und befestigen Sie den unteren Griff mit Hilfe der Verriegelungsknöpfe.



**WARNUNG:** Die linke Seite und die rechte Seite des unteren Griffs müssen auf dieselbe Höhe eingestellt sein.

# 7. MULCHMÄHER

Was ist Mulchen?

Beim Mulchen wird das Gras in einem Arbeitsschritt geschnitten, anschließend fein gehäckselt und als natürlicher Dünger wieder auf den Rasen ausgeworfen.

Tipps zum Mulchmähen:

- Stellen Sie den Verschnitt auf max. 2 cm bei einer Grashöhe von 4 bis 6 cm.
- Verwenden Sie ein scharfes Schnittmesser.
- Mähen Sie kein feuchtes Gras.
- Stellen Sie die maximale Motordrehzahl ein.
- Bewegen Sie sich nur im Arbeitstempo.
- Reinigen Sie den Mulchkeil, das Gehäuseinnere und das Schnittblatt regelmäßig.



**WARNUNG:** Nur bei gestopptem Motor und stillstehendem Klinge.

1. Heben Sie die hintere Abdeckung an und entfernen Sie den Grasfänger.
2. Drücken Sie den Mulchkeil in den Boden. Verriegeln Sie den Mulchkeil mit der Unterseite in der Öffnung am Boden. **(Abb. 17 und 18)**
3. Senken Sie die hintere Abdeckung wieder ab.

## 8. BEDIENUNGSANWEISUNGEN

### 8-1 VOR DEM STARTEN

Füllen Sie Benzin und Öl für den Motor nach, wie in dem separaten Motorhandbuch zu Ihrem Mäher aufgeführt. Lesen Sie alle Anweisungen aufmerksam.



**WARNUNG:** Benzin ist leicht entzündlich.

Lagern Sie Benzin ausschließlich in dafür vorgesehenen Kanistern.

Füllen Sie Benzin nur im Freien nach, bevor Sie den Motor starten und rauchen Sie nicht dabei.

Entfernen Sie niemals die Tankkappe und füllen Sie Benzin nach, wenn der Motor läuft oder heiß ist.

Falls Benzin ausläuft, starten Sie den Motor nicht, sondern bewegen Sie den Mäher aus diesem Bereich heraus und vermeiden Sie strengstens jede Art von Zündung, bis der Benzindampf verfliegen ist. Setzen Sie alle Deckel für den Benzintank und Kanister wieder fest auf.

Entfernen Sie das Benzin aus dem Tank, bevor Sie den Rasenmäher kippen, um das Messer zu warten oder Öl abzulassen.

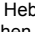



**WARNUNG:** Tanken Sie niemals im Inneren nach, bei laufendem Motor oder bei noch heißen Motor; lassen Sie den Motor mindestens 15 Minuten nach dem Betrieb abkühlen.

### 8-2 SO STARTEN SIE DEN MOTOR UND SETZEN SIE DIE KLINGE EIN

1. Der Mäher ist mit einer Gummimanschette über dem Ende des Zündkerzensteckers ausgestattet, damit die Metallschlaufe am Ende des Zündkerzenkabels (in

der Gummimanschette) sicher über der Metallspitze des Zündkerzensteckers befestigt ist.

2. Drehen Sie beim Starten des kalten Motors den Hebel für die Motordrehzahl in die Position „“. Drehen Sie beim Starten und Betreiben des warmen Motors den Hebel für die Motordrehzahl in die Position „“. **(Abb. 19)**

3. Greifen Sie hinter dem Mäher stehend den Stoppregelgriff und halten Sie ihn gegen den oberen Griff (siehe **Abb. 20**).
4. Greifen Sie den Startergriff, wie in **Abb. 20** dargestellt und ziehen Sie ihn schnell nach oben. Bringen Sie ihn langsam nach den Starten des Motors zum Seilführungsbolzen zurück. Lassen Sie den Stoppregelgriff los, um den Motor und die Klinge zu stoppen.



Starten Sie den Motor vorsichtig entsprechend den Anweisungen und mit ausreichendem Abstand zwischen Füßen und Schnittwerkzeug.



Kippen Sie Rasenmäher nicht, wenn Sie den Motor starten. Starten Sie den Mäher auf einer ebenen Fläche ohne hohes Gras oder Hindernisse.



Halten Sie Ihre Hände und Füße von beweglichen Teilen fern. Starten Sie den Motor nicht, wenn Sie vor der Auswurföffnung stehen.

### 8-3 BEDIENUNG

Halten Sie den Stoppregelgriff während des Betriebs stets mit beiden Händen fest.



**Hinweis:** Wenn Sie den Stoppregelgriff während des Betriebs loslassen, stoppt der Motor und daher auch der Rasenmäher.

### 8-4 SO STOPPEN SIE DEN MOTOR



**VORSICHT:** Nach dem Stopp des Motors dreht sich die Klinge für einige Sekunden weiter.

1. Lassen Sie den Stoppregelgriff los, um den Motor und die Klinge zu stoppen.
2. Ziehen Sie das Zündkerzenkabel ab und erden Sie es, wie in dem separaten Motorhandbuch beschrieben, um ein versehentliches Starten des Motors eines unbeaufsichtigten Mähers zu verhindern.

### 8-5 SELSTFAHREN

#### Für PLM4621

Erfassen Sie den Selbstfahrgriff. Daraufhin bewegt sich der Rasenmäher selbsttätig mit einer Geschwindigkeit von ca. 1 m/s vorwärts; bei Loslassen des Selbstfahrgriffs stoppt der Rasenmäher seine Fahrt.

#### Für PLM4622

Der Rasenmäher verfügt über die Möglichkeit zum Einstellen der Geschwindigkeit in 3 Stufen von 3,0 km/h bis 4,5 km/h

Gehen Sie wie folgt vor:

1. Lassen Sie den Selbstfahrgriff los; der Rasenmäher stoppt.

2. Stellen Sie die gewünschte Geschwindigkeit ein.
3. Betätigen Sie den Selbstfahrgriff, um weiter zu mähen. (Abb. 21)



**ACHTUNG:** Dieser Rasenmäher ist für das Mähen von in Wohngebieten üblichem Rasen mit einer Höhe von max. 250 mm vorgesehen.

Verwenden Sie diesen Rasenmäher nicht zum Mähen von ungewöhnlich hohem und trockenem Gras oder von feuchtem Gras (z. B. von Weidewiesen) oder zum Mähen durch Laubhaufen. Anderenfalls kann es zum Anstauen von Gras und Laub am Boden des Mähers kommen oder Gras und Laub können mit dem Auspuff in Kontakt kommen und sich entzünden.

## 8-6 FÜR BESTE ERGEBNISSE BEIM MULCHEN

Lesen Sie Fremdkörper vom Rasen ab. Vergewissern Sie sich, dass keine Steine, Stöcke, Kabel oder Fremdkörper auf dem Rasen herumliegen, die versehentlich vom Mäher in eine beliebige Richtung herausgezogen werden und schwere Verletzungen des Bedieners oder anderer Personen oder Sachschäden verursachen könnten. Mähen Sie kein feuchtes Gras. Mähen Sie für ein effektives Mulchen kein feuchtes Gras, da dies zum Klumpen an der Bodenunterseite neigt und ein richtiges Mulchen des Grasschnitts verhindert. Schneiden Sie nicht mehr als 1/3 der Grashöhe ab.

Für das Mulchen wird das Abmähen von 1/3 der Grashöhe empfohlen. Die Vorschubgeschwindigkeit muss so angepasst werden, dass der Grasschnitt gleichmäßig auf den Rasen ausgeworfen werden kann. Vor allem beim Schneiden von dickem Gras wird eine der langsamsten Geschwindigkeiten genutzt werden müssen, um einen sauberen, gut gemulchten Schnitt zu erhalten. Beim Mulchen von langem Gras müssen Sie den Rasen möglicherweise in zwei Durchgängen mähen; mähen Sie im ersten Durchgang 1/3 der Grashöhe ab und im zweiten Durchgang ein weiteres Drittel und möglicherweise in einem anderen Verlaufsmodus.

Durch leichtes Überlappen jedes Durchgangs können Sie alle vereinzelt, auf dem Rasen verbliebenen Schnitte bereinigen. Der Mäher sollte stets bei Vollgas betrieben werden, um den besten Schnitt zu erhalten und ein effektives Mulchen zu erreichen. Reinigen Sie die Bodenunterseite.

Reinigen Sie nach jeder Verwendung die Bodenunterseite, um die Ansammlung von Gras zu vermeiden, wodurch ein ordentliches Mulchen verhindert werden könnte. Mulchen von Blättern: Das Mulchen von Blättern kann für Ihren Rasen auch von Vorteil sein. Vergewissern Sie sich vor dem Mulchen von Blättern, dass diese trocken sind und nicht zu dick auf dem Rasen liegen. Warten Sie nicht, bis alle Blätter von den Bäumen gefallen sind, bevor Sie Mulchen.



**WARNUNG:** Falls der Mäher auf einen Fremdkörper schlägt, stoppen Sie den Motor. Ziehen Sie das Kabel vom Zündkerzenstecker, überprüfen Sie den Mäher gründlich auf Beschädigungen und reparieren Sie Schäden, bevor Sie den Mäher neu starten und weiter betreiben. Übermäßige Vibrationen des Mähers während

des Betriebs sind Anzeichen eines Schadens. Der Mäher sollte umgehend überprüft und repariert werden.

## 8-7 GRASFÄNGER

Leeren und reinigen Sie den Grasfänger und stellen Sie die Durchblasen durch das Maschenwerk sicher. (Abb. 22)

## 8-8 BODEN

Die Unterseite des Mäherbodens muss nach jeder Verwendung gereinigt werden, um ein Ansammeln von Grasschnitt, Blättern, Schmutz oder anderen Materialien zu verhindern. Falls sich Fremdkörper ansammeln können, wird Rost und Oxydation begünstigt, und ein ordentliches Mulchen möglicherweise verhindert. Möglicherweise müssen Sie zum Reinigen des Bodens den Mäher kippen und mit einem geeigneten Werkzeug sauber kratzen. (Ziehen Sie auf jeden Fall den Zündkerzenstecker ab!)

## 8-9 ANLEITUNGEN ZUR HÖHENEINSTELLUNG



**VORSICHT:** Nehmen Sie NIEMALS Einstellungen am Rasenmäher vor, ohne dass Sie zuerst den Motor gestoppt und das Zündkerzenkabel abgezogen haben.



**VORSICHT:** Stoppen Sie den Mäher und ziehen Sie das Zündkerzenkabel ab, bevor Sie die Schnitthöhe ändern.

Ihr Rasenmäher ist mit einem zentralen Höheneinstellungshebel ausgestattet, über den Sie 5 Höhenpositionen einstellen können.

1. Stoppen Sie den Mäher und ziehen Sie das Zündkerzenkabel ab, bevor Sie die Schnitthöhe ändern.
2. Der zentrale Höheneinstellungshebel bietet 5 verschiedene Höhenpositionen.
3. Zum Ändern der Schnitthöhe drücken Sie den Einstellungshebel in Richtung Rad und bewegen Sie diesen nach oben oder unten auf die gewünschte Höhe (Abb. 23). Alle Räder müssen auf gleicher Schnitthöhe sein.

## 9. WARTUNGSANWEISUNGEN

### ZÜNDKERZENSTECKER

Verwenden Sie für den Zündkerzenstecker nur originale Ersatzteile. Tauschen Sie für beste Ergebnisse den Zündkerzenstecker aller 100 Betriebsstunden aus. (Siehe MOTORHANDBUCH)

## 10. SCHMIERUNGSANWEISUNGEN



**VORSICHT:** TRENNEN SIE VOR WARTUNGSARBEITEN DEN ZÜNDKERZENSTECKER AB.

1. RÄDER: Schmieren Sie die Kugellager in jedem Rad mindestens 1x in der Saison mit einem Leichtöl.

- MOTOR: Halten Sie sich an die Schmierungsanweisungen im Motorhandbuch.
- KLINGENREGELUNG: Schmieren Sie die Drehpunkte am Klängenregelgriff und Bremskabel mindestens 1x in der Saison mit einem Leichtöl. Die Klängenregelung muss in beide Richtungen frei beweglich sein.

## 11. REINIGUNG



**VORSICHT:** Spritzen Sie den Motor nicht ab.

Wasser kann den Motor beschädigen und das Kraftstoffsystem verunreinigen.

- Reiben Sie den Boden mit einem trockenen Tuch ab.
- Spritzen Sie den Unterboden des Mähers ab, indem Sie den Mäher so kippen, dass der Zündkerzenstecker oben ist.

### 11-1 MOTORENLUFTREINIGER



**VORSICHT:** Erlauben Sie nicht, dass Dreck und Schmutz den Luftfilter verschmutzt.

Das Luftreinigererelement des Motors muss nach 25 Stunden normalen Mähens gereinigt werden. Das Schaumstoffelement muss regelmäßig gereinigt werden, wenn der Mäher in trockenen und staubigen Bedingungen verwendet wird. (Siehe MOTORHANDBUCH)

### SO REINIGEN SIE DEN LUFTFILTER

- Entfernen Sie die Schraube.
- Entfernen Sie die Abdeckung.
- Waschen Sie das Filterelement in Seifenwasser.  
**VERWENDEN SIE KEIN BENZIN.**
- Lassen Sie das Luftreinigungselement an der Luft trocknen.
- Geben Sie einige Tropfen SAE30-Öl auf den Schaumfilter und quetschen Sie überschüssiges Öl aus.
- Setzen Sie den Filter wieder ein.



**HINWEIS:** Tauschen Sie den Filter aus, falls dieser ausgefranst, verschlissen, beschädigt oder nicht zu reinigen ist. (Abb. 24)

### 11-2 SCHNEIDKLINGE



**VORSICHT:** Trennen und erten Sie auf jeden Fall den Zündkerzenstecker, bevor Sie an der Schneidklinge arbeiten, um ein versehentliches Starten des Motors zu verhindern. Schützen Sie Ihre Hände mit Handschuhen oder einem Lappen, wenn Sie die Schneidklingen anfassen.

Kippen Sie den Mäher, wie in dem separaten Motorhandbuch angegeben. Entfernen Sie die Sechskantschraube, die die Klinge und den Klängenadapter auf der Motorwelle hält. Entfernen Sie die Klinge und den Adapter von der Welle.



**WARNUNG:** Überprüfen Sie regelmäßig den Klängenadapter auf Risse, vor allem, wenn Sie einen Fremdkörper gestreift haben. Tauschen Sie bei Bedarf aus.

Für beste Ergebnisse sollte die Klinge scharf sein. Sie können die Klinge nachschärfen, entfernen Sie sie dazu und schleifen oder feilen Sie die Schnittkante so nah wie möglich an der originalen Abfasung nach. Es ist extrem wichtig, dass jede Schnittkante gleichmäßig abgetragen wird, um eine Klängenunwucht zu vermeiden. Eine Klängenunwucht führt zu übermäßigen Schwingungen und eventueller Beschädigung von Motor und Mäher.

Wuchten Sie die Klinge nach dem Schärfen sorgfältig aus. Balancieren Sie die Klinge dafür auf dem runden Teil eines Schraubendrehers. Entfernen Sie Material von der schwereren Seite, bis die Klinge in der Balance ist.

(Abb. 25)

Schmieren Sie vor der Wiedermontage der Klinge und des Klängenadapters die Motorwelle und die Innenfläche des Klängenadapters mit Leichtöl. Setzen Sie den Klängenadapter auf die Welle mit den „Stern“ weg vom Motor zeigend. Siehe **Abb. 25**. Setzen Sie die Klinge mit der Teilenummer weg vom Adapter zeigend auf. Richten Sie die Unterlegscheibe über der Klinge aus und setzen Sie die Sechskantschraube auf. Ziehen Sie die Sechskantschraube mit dem angegebenen Drehmoment an.

### 11-3 MONTAGEDREHMOMENT FÜR DIE KLINGE

Der Mittelbolzen muss mit einem Moment von 35 bis 45 Nm festgezogen werden. Um einen sicheren Betrieb Ihrer Maschine zu gewährleisten, müssen ALLE Muttern und Bolzen regelmäßig auf festen Sitz überprüft werden. Nach einer längeren Verwendung, vor allem bei sandigem Böden, verschleißt die Klinge und verliert ihre ursprüngliche Schärfe. Ein effizientes Mähen wird vermindert und die Klinge muss ausgetauscht werden. Nehmen Sie als Austausch ausschließlich eine genehmigte Ersatzklinge. Mögliche Schäden aufgrund einer Klängenunwucht liegen nicht in der Verantwortlichkeit des Herstellers. Wenn Sie die Klinge tauschen, müssen Sie den auf der Klinge angegebenen Originaltyp wieder verwenden (MAKITA 263001451) (für die Bestellung der Klinge wenden Sie sich an Ihren Händler vor Ort oder rufen in unserem Unternehmen an).



**WARNUNG:** Berühren Sie niemals ein rotierendes Blatt.

### 11-4 MOTOR

Schlagen Sie im separaten Motorhandbuch die Wartungsanweisungen für den Motor nach. Wechseln Sie das Motoröl wie in dem separaten Motorhandbuch zu Ihrem Mäher aufgeführt.

Lesen Sie alle Anweisungen aufmerksam durch und befolgen Sie diese.

Warten Sie den Luftreiniger unter normalen Bedingungen, wie im separaten Motorhandbuch angegeben. Reinigen Sie diese unter extrem staubigen Bedingungen aller paar

Stunden. Schlechte Motorleistung und Absaufen weisen gewöhnlich auf eine fällige Wartung des Luftreinigers hin. Warten Sie den Luftreiniger wie in dem separaten Motorhandbuch zu Ihrem Mäher aufgeführt.

Der Zündkerzenstecker muss sauber sein und der Abstand sollte 1x pro Saison eingestellt werden. Ein Austausch des Zündkerzensteckers wird zu Beginn jeder Mähseason empfohlen. Den korrekten Steckertyp und die Abstandsdaten finden Sie im Motorhandbuch.

Reinigen Sie den Motor regelmäßig mit einem Tuch oder einer Bürste. Halten Sie das Kühlsystem (Bereich des Gebläsegehäuses) sauber, um die richtige Luftzirkulation zu gewährleisten, die für die Leistung und die Lebenszeit des Motors wichtig ist. Entfernen Sie Gras, Schmutz und entflammbare Fremdkörper aus dem Schalldämpferbereich.

## 12. LAGERUNGSANWEISUNGEN (AUSSERHALB DER SAISON)

Die folgenden Schritte sollten unternommen werden, um den Rasenmäher auf eine Lagerung vorzubereiten.

1. Nach dem letzten Mähen der Saison lassen Sie den Benzintank ab und trocknen.
2. Reinigen und schmieren Sie den Mäher gründlich, wie in den Schmieranweisungen beschrieben.
3. Schlagen Sie im Motorhandbuch die korrekten Lagerungsanweisungen für den Motor nach.
4. Tragen Sie auf die Schnittklinge des Mähers eine dünne Schicht Maschinenfett auf.
5. Lagern Sie den Mäher an einem trockenen und sauberen Ort.



### HINWEIS:

- Wenn Antriebsaggregate jeglichen Typs in einem unbelüfteten oder Materiallagerhaus gelagert werden;
- Achten Sie auf einen Rostschutz der Maschine. Tragen Sie ein Leichtöl oder Silikon auf die Maschine auf, vor allem auf Kabel und alle sich bewegenden Teile.
- Achten Sie darauf, Kabel nicht zu biegen oder zu knicken.
- Falls das Starterseil von der Seilführung am Griff abgetrennt wird, ziehen Sie das Zündkerzenkabel ab und erden Sie es. Drücken Sie den Klappenregelgriff und ziehen Sie das Starterseil langsam aus dem Motor. Schieben Sie das Starterseil in den Seilführungsbolzen am Griff.

## 13. PROBLEMBEHEBUNG

| PROBLEM  | MÖGLICHE URSACHE   | KORREKTURMASSNAHME   |
|--|--|--|
| Motor startet nicht.   | Gashebelkeil nicht in der richtigen Position für die vorherrschenden Bedingungen.    | Bewegen Sie den Gashebelkeil in die richtige Position.   |
|  | Benzintank ist leer.   | Füllen Sie Benzin nach. (Siehe MOTORHANDBUCH)  |
|  | Luftreinigungselement ist verschmutzt.   | Reinigen Sie das Luftreinigungselement. (Siehe MOTORHANDBUCH)  |
|  | Zündkerzenstecker ist lose.  | Ziehen Sie den Zündkerzenstecker mit einem Moment von 25 bis 30 Nm fest.   |
|  | Zündkerzenkabel ist lose oder vom Stecker abgetrennt.                                | Bringen Sie das Zündkerzenkabel am Zündkerzenstecker an.   |
|  | Abstand der Zündkerze ist nicht korrekt.   | Stellen Sie den Abstand zwischen den Elektroden auf 0,7 bis 0,8 mm ein.  |
|  | Zündkerzenstecker ist defekt.  | Bauen Sie einen neuen Stecker mit korrektem Abstand ein. (Siehe MOTORHANDBUCH)   |
|  | Vergaser ist mit Benzin abgesoffen.  | Entfernen Sie das Luftreinigungselement und ziehen Sie das Starterseil kontinuierlich, bis der Vergaser sich selbst leert und setzen Sie das Luftreinigungselement wieder ein. |
|  | Defektes Zündungsmodul.  | Wenden Sie sich an ein von Makita autorisiertes Servicezentrum.  |
| Motor kann nur schwierig gestartet werden oder verliert an Leistung. | Schmutz, Wasser oder abgestandenes Benzin im Tank.                                   | Lassen Sie das Benzin ab und reinigen Sie den Tank. Füllen Sie sauberes und frisches Benzin nach.  |
|  | Belüftungsloch im Benzintankdeckel ist verstopft.                                    | Reinigen Sie den Tankdeckel oder ersetzen Sie ihn.   |
|  | Luftreinigungselement ist verschmutzt.   | Reinigen Sie das Luftreinigungselement.  |
| Motor läuft unstet.  | Zündkerzenstecker ist defekt.  | Bauen Sie einen neuen Stecker mit korrektem Abstand ein. (Siehe MOTORHANDBUCH)   |
|  | Abstand der Zündkerze ist nicht korrekt.   | Stellen Sie den Abstand zwischen den Elektroden auf 0,7 bis 0,8 mm ein.  |
|  | Luftreinigungselement ist verschmutzt.   | Reinigen Sie das Luftreinigungselement. (Siehe MOTORHANDBUCH)  |
| Motorleerlauf zu gering.   | Luftreinigungselement ist verschmutzt.   | Reinigen Sie das Luftreinigungselement. (Siehe MOTORHANDBUCH)  |
|  | Luftschlitz in Motorabdeckung sind blockiert.  | Entfernen Sie die Fremdkörper aus den Schlitzen.   |
|  | Kühl lamellen und Luftdurchgänge unter dem Gebläsegehäuse des Motors sind blockiert. | Entfernen Sie die Fremdkörper aus den Kühl lamellen und Luftdurchgängen.   |
| Motor setzt bei hoher Drehzahl aus.                                  | Anstand zwischen Elektroden des Zündsteckers ist zu eng.                             | Stellen Sie den Abstand zwischen den Elektroden auf 0,7 bis 0,8 mm ein.  |
| Motor überhitzt.   | Kühl luftstrom ist eingeschränkt.  | Entfernen Sie alle Fremdkörper aus den Schlitzen in der Abdeckung, Gebläsegehäuse und Luftdurchgängen.   |
|  | Fehlerhafter Zündkerzenstecker.  | Bauen Sie einen Zündkerzenstecker RJ19LMC und Kühl lamellen am Motor ein.  |
| Mäher vibriert abnormal.   | Schnittbaugruppe ist lose.   | Ziehen Sie die Klinge fest.  |
|  | Schnittbaugruppe ist nicht ausgewuchtet.   | Wuchten Sie die Klinge aus.  |

## 14. UMWELT

Sollte Ihre Maschine nach langem Gebrauch ausgetauscht werden, geben Sie diese nicht zum

Hausmüll, sondern entsorgen Sie sie umweltfreundlich und sicher.

**Nur für europäische Länder**

**EG-Konformitätserklärung**

**Wir, Makita Corporation als verantwortlicher Hersteller, erklären, dass die folgenden Geräte der**

**Marke Makita:**

Bezeichnung des Geräts: Benzin-Rasenmäher  
Nummer / Typ des Modells: PLM4621, PLM4622

Technische Daten: Siehe „4. Technische Daten“

in Serienfertigung hergestellt werden und

**den folgenden Richtlinien der Europäischen Union genügen:**

2006/42/EG, 2004/108/EG,  
2000/14/EG und 2005/88/EG

Außerdem werden die Geräte gemäß den folgenden Standards oder Normen gefertigt:

EN836, EN ISO14982

Die technische Dokumentation erfolgt durch unseren Bevollmächtigten in Europa:

Makita International Europe Ltd.,  
Michigan, Drive, Tongwell,  
Milton Keynes, MK15 8JD, England

Das Verfahren der Konformitätsbewertung, das in der Richtlinie 2000/14/EG verlangt wird, wurde in Übereinstimmung mit Anhang VI durchgeführt.

Benannte Stelle:

TÜV SÜD Industrie Service GmbH  
Westendstraße 199, D-80686 München  
Kennzeichnungsmarkierung 0036

Modell PLM4621

Gemessener Schallleistungspegel: 93,1 dB  
Garantierter Schallleistungspegel: 96 dB

Modell PLM4622

Gemessener Schallleistungspegel: 92,3 dB  
Garantierter Schallleistungspegel: 96 dB

11. 11. 2011



Tomoyasu Kato  
Direktor  
Makita Corporation  
3-11-8, Sumiyoshi-cho,  
Anjo, Aichi, JAPAN

## Descriptif

- |                                |                                    |                                  |
|--------------------------------|------------------------------------|----------------------------------|
| 1. Guidon supérieur            | 6. Guide câble                     | 11. Capuchon du carburant        |
| 2. Guidon d'arrêt              | 7. Sac de ramassage                | 12. Capuchon d'huile             |
| 3. Guidon d'autopropulsion     | 8. Levier de réglage de la hauteur | 13. Clip de maintien             |
| 4. Levier de vitesse du moteur | 9. Plateau                         | 14. Bouton de verrouillage       |
| 5. Guidon de démarrage         | 10. Bougie d'allumage              | 15. Levier de réglage de vitesse |



### MISE EN GARDE !

Pour votre sécurité, veuillez lire ce manuel avant de faire fonctionner votre nouvelle machine. Le non-respect des instructions peut provoquer des blessures graves. Prenez du temps pour vous familiariser avec la tondeuse avant chaque utilisation.



Relâchez le guidon d'interrupteur pour arrêter le moteur.



Appuyez sur le guidon autopropulsé pour avancer.

## 1. SYMBOLES MARQUÉS SUR LE PRODUIT



Lisez le manuel d'instructions.



Éloignez les spectateurs.



Soyez attentifs aux mains et aux pieds de l'opérateur pour éviter toute blessure.



Fumées toxiques, n'utilisez pas à l'intérieur.



Le carburant est inflammable, tenir éloigné des flammes. N'ajoutez pas de carburant lors du fonctionnement de la machine.



Lorsque vous tondez, portez des lunettes et des bouchons d'oreilles pour votre sécurité.



Lors de la réparation, relevez la bougie d'allumage, puis réparez-la conformément au manuel d'instructions.



Attention : Le moteur chauffe.



## 2. CONSIGNES DE SÉCURITÉ GÉNÉRALES



**AVERTISSEMENT** : Lors de l'utilisation d'outils à essence, des précautions de sécurité de base, notamment celles qui suivent, doivent être respectées pour réduire le risque de blessures graves et/ou de dégâts matériels.

Lisez toutes ces instructions avant d'utiliser le produit et conservez-les pour votre information future.



**AVERTISSEMENT** : Cette machine produit un champ électromagnétique pendant son fonctionnement. Dans certains cas, ce champ peut perturber les implants médicaux actifs ou non. Pour réduire les risques de blessures graves ou mortelles, il est recommandé aux personnes porteuses d'implants médicaux de consulter leur médecin ainsi que le fabricant de l'implant médical avant d'utiliser cette machine.

### Formation

- Lisez les instructions attentivement. Familiarisez-vous avec les commandes et l'utilisation correcte de l'équipement.
- Ne laissez pas des enfants ou des personnes ne connaissant pas ces instructions utiliser la tondeuse à gazon. Les réglementations locales peuvent limiter l'âge de l'opérateur.
- N'utilisez jamais la tondeuse lorsque des personnes, particulièrement des enfants, ou des animaux se trouvent à proximité.
- Gardez à l'esprit que l'opérateur ou l'utilisateur est responsable des accidents ou blessures arrivant à d'autres personnes ou à leurs biens.

### Préparation

- Pendant la tonte, portez toujours des chaussures résistantes et des pantalons longs. N'utilisez pas le matériel lorsque vous êtes pieds nus ou en sandales.
- Inspectez minutieusement toute la zone à tondre et éliminez tout objet qui pourrait être projeté par la machine.



- **AVERTISSEMENT** - L'essence est extrêmement inflammable :
  - stockez le carburant dans des conteneurs conçus particulièrement à cet effet ;
  - remettez du carburant à l'extérieur uniquement et ne fumez pas pendant ce temps ;
  - ajoutez le carburant avant de démarrer le moteur. Ne retirez jamais le capuchon du réservoir de carburant et n'ajoutez pas d'essence lorsque le moteur tourne ou qu'il chauffe ;
  - si de l'essence coule, n'essayez pas de démarrer le moteur mais éloignez l'appareil de la zone où l'essence a coulé et évitez de faire des étincelles jusqu'à dissipation des vapeurs d'essence ;
  - revissez fermement tous les capuchons du réservoir et du conteneur.
- Remplacez les pots d'échappement défectueux.
- Avant l'utilisation, procédez toujours à une vérification générale pour vous assurer que les lames, les boulons de lame et l'ensemble de coupe ne sont ni usés ni endommagés. Remplacez les lames et boulons endommagés ou usés par lots complets pour préserver le bon équilibre.

## Utilisation

- Ne faites pas tourner le moteur dans un lieu confiné, en raison de la possibilité de dangereuses émanations de monoxyde de carbone.
- Tondez uniquement à la lumière du jour ou dans une lumière artificielle de bonne qualité.
- Évitez de tondre de l'herbe mouillée, si possible.
- Assurez vos pas dans les pentes.
- Marchez, ne courez jamais.
- Pour les machines rotatives à roues, tondez les pentes dans le sens transversal, jamais en montant ou en descendant.
- Soyez particulièrement prudent lors des changements de direction sur les terrains en pente.
- Ne coupez pas l'herbe sur des pentes excessivement raides.
- Faites particulièrement attention lorsque la machine doit être tirée vers vous.
- Arrêtez la/les lame(s) si la tondeuse doit être inclinée pour le transport, lorsque vous traversez des zones sans herbe et lors des déplacements entre les surfaces à tondre.
- N'utilisez jamais la tondeuse si ses protecteurs sont endommagés, ou en l'absence de dispositifs de sécurité, comme le déflecteur ou le sac de ramassage.
- Ne changez pas les réglages du gouverneur du moteur et ne forcez pas le moteur.
- Désengagez la lame et les vitesses avant de démarrer le moteur.
- Faites attention lorsque vous démarrez le moteur, conformez-vous aux instructions et assurez-vous que vos pieds sont éloignés de la/des lame(s).
- Lorsque vous démarrez le moteur, n'inclinez pas la tondeuse.
- Ne démarrez pas le moteur lorsque vous êtes devant la goulotte d'éjection.
- Ne placez pas vos mains ou vos pieds à proximité ou sous des pièces qui tournent. Restez en permanence éloigné de l'ouverture d'éjection.

- Ne soulevez ni ne transportez jamais une tondeuse dont le moteur est en fonctionnement.
- Arrêtez le moteur et débranchez le câble de la bougie d'allumage, assurez-vous que les pièces mobiles sont complètement arrêtées et, si une clé est utilisée pour le moteur, retirez-la :
  - avant toute opération de retrait d'obstruction ou de débouchage de la goulotte ;
  - avant toute opération de vérification, de nettoyage ou de réparation de la tondeuse ;
  - après avoir heurté un objet étranger. Inspectez la tondeuse pour vérifier si elle est endommagée. Effectuez les réparations nécessaires avant toute nouvelle utilisation de la machine ;
  - si la tondeuse commence à vibrer de manière anormale (vérification immédiate).
- Arrêtez le moteur et débranchez le câble de la bougie d'allumage, assurez-vous que les pièces mobiles sont complètement arrêtées et, si une clé est utilisée pour le moteur, retirez-la :
  - lorsque vous vous éloignez de la tondeuse ;
  - avant toute manutention.
- Réduisez la vitesse lors de l'arrêt du moteur et, si le moteur est équipé d'une soupape d'arrêt, arrêtez l'alimentation en carburant à la fin de la tonte.
- N'utilisez la tondeuse que pour son usage prévu, c'est-à-dire pour couper l'herbe et la ramasser. Toute autre utilisation peut s'avérer dangereuse et endommager la machine.

## Maintenance et stockage

- Maintenez tous les écrous, boulons et vis serrés afin d'assurer des conditions d'utilisation sûres.
- Ne rangez jamais un appareil avec de l'essence dans le réservoir dans un bâtiment où des fumées peuvent s'enflammer ou provoquer des étincelles.
- Laissez le moteur refroidir avant de ranger l'appareil.
- Pour réduire le danger de combustion, débarrassez le moteur, le pot d'échappement, le compartiment de la batterie et la zone de stockage d'essence de toute impureté telle qu'herbe, feuille ou graisse.
- Vérifiez fréquemment que le sac de ramassage ne présente aucune trace d'usure ou de détérioration.
- Remplacez les pièces usées ou endommagées pour des raisons de sécurité.
- La cas échéant, vidangez le réservoir de carburant en extérieur.



**AVERTISSEMENT** : Ne touchez pas la lame en mouvement.



**AVERTISSEMENT** : Remettez du carburant dans un lieu bien ventilé et assurez-vous que le moteur est arrêté.

## 3. DESCRIPTION DES PIÈCES (Fig. 1 et 2)

### Notamment

- A : Clé de bougie d'allumage
- B : Embout de hachage

## 4. CARACTÉRISTIQUES TECHNIQUES

| Modèle                                       | PLM4621                    | PLM4622                     |
|--|----------------------------|-----------------------------|
| Type de moteur                               | Série B&S 650E, ReadyStart | Série B&S 675EX, ReadyStart |
| Automoteur                                   | Oui                        | Oui                         |
| Déplacement du moteur                        | 190 cc                     | 190 cc                      |
| Largeur de la lame                           | 460 mm                     | 460 mm                      |
| Vitesse au ralenti                           | 2 800/min                  | 2 800/min                   |
| Volume du réservoir de carburant             | 1,0 l                      | 1,0 l                       |
| Volume du réservoir d'huile                  | 0,6 l                      | 0,6 l                       |
| Volume du sac de ramassage d'air             | 60 l                       | 60 l                        |
| Poids net                                    | 33,8 kg                    | 35,4 kg                     |
| Réglage de la hauteur :                      | 20-75 mm, 5 réglages       | 20-75 mm, 5 réglages        |
| Émissions sonores conformes à la norme EN836 |                            |                             |
| Niveau de pression sonore ( $L_{pA}$ ) :     | 81,5 dB (A)                | 83,1 dB (A)                 |
| Niveau de puissance sonore ( $L_{WA}$ ) :    | 93,1 dB (A)                | 92,3 dB (A)                 |
| Incertitude (K) :                            | 2,41 dB (A)                | 2,75 dB (A)                 |
| Vibrations conformes à la norme EN836        |                            |                             |
| Émission des vibrations ( $a_h$ ) :          | 6,4 m/s <sup>2</sup>       | 7,5 m/s <sup>2</sup>        |
| Incertitude (K) :                            | 1,5 m/s <sup>2</sup>       | 1,5 m/s <sup>2</sup>        |

## 5. ASSEMBLAGE

### 5-1 ASSEMBLAGE DU GUIDON REPLIABLE

- Fixez le bas du guidon au châssis avec les boutons de verrouillage, tel qu'illustré. (Fig. 3, Fig. 4, Fig. 5, Fig. 6)
- Relâchez les barres supérieures du guidon pour le repliage. Fixez le guidon supérieur et le guidon inférieur avec le bouton de verrouillage. (Fig. 7, Fig. 8)
- Placez tous les câbles sur les manches. Serrez-les autour du centre des guidons inférieurs avec les colliers prévus à cet effet, de sorte que les câbles soient fixés à l'extérieur de la machine. Sinon, les câbles risqueraient de se pincer lors de l'ouverture/la fermeture du capot arrière ou d'être écrasés lors du repliage du guidon supérieur. (Fig. 9)

### 5-2 ASSEMBLAGE DU SAC DE RAMASSAGE

- Pour le placer : Relevez le capot arrière et accrochez le sac de ramassage à l'arrière de la tondeuse. (Fig. 10, Fig. 11)
- Pour le retirer : Soulevez le capot arrière, retirez le sac de ramassage.

### 5-3 GUIDON DE DÉMARRAGE

Déplacez le guidon de démarrage du moteur vers le guide câble. (Fig. 12, Fig. 13)

### 5-4 HAUTEUR DE COUPE

Pour sortir le levier du rail, appliquez une pression vers l'extérieur. Pour régler la hauteur, avancez le levier vers l'avant ou vers l'arrière. (Fig. 14 et voir le point 8-9)

## 6. RÉGLAGE POUR UNE HAUTEUR ADÉQUATE

- Faites ressortir le bouton de verrouillage retenant le guidon inférieur, reportez-vous à la Fig. 15.
- Reportez-vous à la Fig. 16, déplacez le guidon inférieur vers le haut et vers le bas, puis réglez-le selon la bonne hauteur.  
Vous pouvez choisir parmi 3 hauteurs de réglage sur ce type de tondeuse, la hauteur 1 correspondant au niveau le plus élevé entre le guidon inférieur et le sol et la hauteur 3 au niveau le plus bas.
- Procédez au réglage selon la bonne hauteur, puis fixez le guidon inférieur à l'aide des boutons de verrouillage.



**AVERTISSEMENT** : Vous devez régler le côté gauche et le côté droit du guidon inférieur selon la même hauteur.

## 7. TONDEUSE HACHEUSE

Qu'est-ce que le hachage ?

Lors du hachage, l'herbe est tout d'abord coupée, puis finement coupée et retournée avant d'être remise par terre pour faire office d'engrais naturel.

Conseils relatifs à ce processus :

- Hauteur de coupe de 2 cm sur une hauteur d'herbe de 6 cm à 4 cm.
- Utilisez une lame aiguisée.
- Ne tondez pas d'herbe mouillée.
- Réglez le moteur sur la vitesse maximale.
- Ne courez pas.
- Nettoyez régulièrement la hache, l'intérieur du châssis et la lame de tonte.



**AVERTISSEMENT** : Ne faites cela qu'avec un moteur et une lame à l'arrêt.

1. Relevez le capot arrière et retirez le sac de ramassage.
2. Poussez l'embout de hachage dans le plateau. Bloquez-le avec le bouton pendant l'ouverture du plateau. (Fig. 17, Fig. 18)
3. Remettez le capot arrière en place.

## 8. INSTRUCTIONS D'UTILISATION

### 8-1 AVANT LE DÉMARRAGE

Refaites les niveaux d'huile et d'essence du moteur conformément aux instructions du manuel du moteur fourni avec la tondeuse. Lisez attentivement les instructions.



**AVERTISSEMENT :** L'essence est extrêmement inflammable.

Stockez le carburant dans des conteneurs conçus particulièrement à cet effet.

Ne mettez de l'essence qu'en extérieur, avant de démarrer le moteur et ne fumez pas lorsque vous manipulez de l'essence.

Ne retirez jamais le capuchon du réservoir de carburant et n'ajoutez pas d'essence lorsque le moteur tourne ou qu'il chauffe.

Si de l'essence coule, n'essayez pas de démarrer le moteur mais éloignez l'appareil de la zone où l'essence a coulé et évitez de faire des étincelles jusqu'à dissipation des vapeurs d'essence.

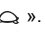

Revissez fermement tous les capuchons du réservoir et du conteneur.

Avant de basculer la tondeuse pour assurer l'entretien de la lame ou effectuer la vidange, siphonnez le carburant.



**AVERTISSEMENT :** Ne remplissez jamais le réservoir en intérieur, lorsque le moteur fonctionne ou avant qu'il n'ait eu le temps de refroidir pendant au moins 15 minutes.

### 8-2 DÉMARRAGE DU MOTEUR ET ENGAGEMENT DE LA LAME

1. L'extrémité de la bougie d'allumage est recouverte d'une protection en caoutchouc, assurez-vous que la boucle métallique située au bout du câble de la bougie (dans la protection) est fermement fixée sur l'embout métallique de la bougie d'allumage.
2. Lorsque vous démarrez le moteur à froid, mettez le levier de vitesse du moteur en position «  ». Lorsque vous démarrez le moteur à chaud et qu'il fonctionne déjà, mettez le levier de vitesse du moteur en position «  ». (Fig. 19)
3. Debout derrière l'appareil, attrapez le guidon d'arrêt et maintenez-le contre le guidon supérieur comme illustré dans la Fig. 20.
4. Attrapez le guidon de démarrage comme illustré Fig. 20 et tirez brièvement dessus. Ramenez-le doucement vers le bouton du guide câble après démarrage du moteur. Pour arrêter le moteur et la lame, relâchez le guidon d'arrêt.



Démarrez le moteur attentivement, conformément aux instructions et en vous assurant que vos pieds sont éloignés de la/des lame(s).



Lorsque vous démarrez le moteur, n'inclinez pas la tondeuse. Démarrez la tondeuse sur une surface plane, sans herbes hautes ni obstacles.



Gardez vos mains et vos pieds éloignés des pièces pivotantes. Ne démarrez pas le moteur lorsque vous êtes devant la goulotte d'éjection.

### 8-3 PROCÉDURES DE FONCTIONNEMENT

Lors du fonctionnement, tenez fermement et à deux mains le guidon d'arrêt.



**Remarque :** Lors du fonctionnement, lorsque vous relâchez le guidon d'arrêt, le moteur s'arrête et par conséquent la tondeuse également.

### 8-4 ARRÊT DU MOTEUR



**ATTENTION :** Après l'arrêt du moteur, la lame continue à tourner pendant quelques secondes.

1. Pour arrêter le moteur et la lame, relâchez le guidon d'arrêt.
2. Débranchez le câble de la bougie d'allumage et placez-le sur le sol conformément aux instructions du manuel du moteur, pour éviter un démarrage accidentel.

### 8-5 RACCORDEMENT POUR LE DÉPLACEMENT AUTOMATIQUE

#### Pour le modèle PLM4621

Appuyez sur le guidon d'autopropulsion pour faire avancer la tondeuse automatiquement d'environ 1 m/s. Relâchez le guidon d'autopropulsion pour que la tondeuse cesse d'avancer.

#### Pour le modèle PLM4622

La tondeuse est équipée d'un système de réglage de vitesse comportant 3 vitesses comprises entre 3,0 km/h et 4,5 km/h.

Pour changer de vitesse, procédez comme suit :

1. Relâchez le guidon d'autopropulsion jusqu'à ce que la tondeuse n'avance plus.
2. Sélectionnez la vitesse souhaitée.
3. Appuyez sur le guidon d'autopropulsion pour continuer de tondre. (Fig. 21)



**ATTENTION :** Votre tondeuse est prévue pour couper de la pelouse normale dont la hauteur ne dépasse pas 250 mm.

Ne tentez pas de tondre de l'herbe haute et sèche ou humide (par exemple, un pré) ou des amas de feuilles sèches. Des débris peuvent s'accumuler sur le plateau ou entrer en contact avec l'échappement du moteur, présentant un risque d'incendie potentiel.

### 8-6 POUR DES RÉSULTATS OPTIMAUX LORS DU HACHAGE

Débarrassez la tondeuse des débris d'herbes. Vérifiez que la tondeuse est exempte de cailloux, bâtons, câbles

et autres corps étrangers qui risqueraient d'être projetés et de provoquer des blessures graves ou d'endommager les objets avoisinants. Ne tondez pas d'herbe mouillée. Pour un hachage efficace, ne coupez pas d'herbe mouillée car elle a tendance à coller au dessous du plateau, ce qui nuit à l'efficacité du hachage. Ne coupez pas plus d'1/3 de la hauteur de l'herbe.

La coupe conseillée pour le hachage est d'1/3 de la hauteur de l'herbe. Vous devrez régler la vitesse par rapport au sol pour que les herbes coupées soient dispersées de façon homogène. Pour une coupe intensive, par exemple avec de l'herbe épaisse, il peut être nécessaire d'utiliser l'une des vitesses les plus lentes pour obtenir un résultat propre. Lorsque vous hachez de l'herbe haute, vous pouvez devoir procéder en deux fois, en abaissant la lame d'1/3 de hauteur supplémentaire pour votre deuxième passage et peut-être en ne suivant pas le même trajet que pour la première coupe. Si deux coupes successives se chevauchent, les touffes restantes sont éliminées. Vous devez toujours utiliser la tondeuse à pleins gaz pour obtenir un résultat optimal et des plus efficaces. Nettoyez le dessous du plateau. Assurez-vous de nettoyer le dessous du plateau après chaque utilisation pour éviter que l'herbe ne s'y accumule, se qui nuirait au hachage. Hachage de feuilles. Pour un beau terrain, vous pouvez hacher des feuilles. Assurez-vous que les feuilles sont sèches et qu'elles ne sont pas en couche trop épaisse. N'attendez pas que toutes les feuilles soient tombées des arbres avant de les hacher.



**AVERTISSEMENT :** Si vous heurtez un objet, arrêtez le moteur. Retirez le câble de la bougie d'allumage, inspectez soigneusement la tondeuse et réparez les éventuels dégâts avant de poursuivre l'utilisation. Une vibration excessive de la tondeuse est un signe de dégât. L'appareil doit être rapidement inspecté et réparé.

## 8-7 SAC DE RAMASSAGE

Videz le sac et nettoyez-le, assurez-vous qu'il est propre et que ses mailles sont bien ventilées. (Fig. 22)

## 8-8 PLATEAU

Le dessous du plateau doit être nettoyé après chaque utilisation pour éviter l'accumulation d'herbe, de feuilles, de saleté ou d'autre matière. Si des débris s'accumulent, l'appareil risque de se corroder et de rouiller, ce qui peut nuire à l'efficacité du hachage. Pour nettoyer le plateau, inclinez la tondeuse et grattez le plateau avec un outil adapté (assurez-vous que le câble de la bougie d'allumage est débranché).

## 8-9 INSTRUCTIONS DE RÉGLAGE DE LA HAUTEUR



**ATTENTION :** En aucun cas, n'effectuez aucun réglage de la tondeuse sans arrêter au préalable le moteur et débrancher le câble de la bougie d'allumage.



**ATTENTION :** Avant de modifier la hauteur de coupe, arrêtez la tondeuse et débranchez le câble de la bougie d'allumage.

La tondeuse est équipée d'un levier central de réglage de la hauteur, qui permet cinq réglages.

1. Arrêtez la tondeuse et débranchez le câble de la bougie d'allumage avant de modifier la hauteur de coupe de la tondeuse.
2. Le levier central de réglage de la hauteur vous permet de choisir entre 5 positions.
3. Pour modifier la hauteur de coupe, ramenez le levier de réglage vers la roue, puis montez-le ou descendez-le vers la hauteur de votre choix (Fig. 23). Toutes les roues seront à la même hauteur de coupe.

## 9. INSTRUCTIONS DE MAINTENANCE

### BOUGIE D'ALLUMAGE

N'utilisez que des bougies de remplacement d'origine. Pour des résultats optimaux, remplacez la bougie d'allumage toutes les 100 heures. (consultez le MANUEL DE L'UTILISATEUR DU MOTEUR)

### 10. INSTRUCTIONS DE LUBRIFICATION



**ATTENTION :** DÉBRANCHEZ LA BOUGIE D'ALLUMAGE AVANT TOUTE OPÉRATION DE MAINTENANCE.

1. ROUES-Lubrifiez les roulements à billes de chaque roue au moins une fois par an avec une huile à faible viscosité.
2. MOTEUR-Pour des instructions de lubrification, conformez-vous au manuel du moteur.
3. GUIDON D'ARRÊT-Lubrifiez les pivots du guidon d'arrêt au moins une fois par an avec une huile à faible viscosité. Le guidon doit pouvoir se déplacer dans tous les sens.

### 11. NETTOYAGE



**ATTENTION :** N'arrosez pas le moteur. L'eau risque d'endommager le moteur ou de contaminer le système de carburant.

1. Nettoyez le plateau avec un chiffon sec.
2. Aspergez le dessous du plateau en basculant la tondeuse de sorte que la bougie d'allumage soit orientée vers le haut.

#### 11-1 FILTRE À AIR



**ATTENTION :** Ne laissez pas de la saleté ou des poussières obstruer la mousse du filtre à air.

La maintenance (nettoyage) du filtre à air doit être effectuée après 25 heures de tonte normale. L'élément en mousse doit être entretenu régulièrement si la tondeuse est utilisée dans des conditions de poussière extrême. (consultez le MANUEL DE L'UTILISATEUR DU MOTEUR)

#### NETTOYAGE DU FILTRE À AIR

1. Retirez la vis.
2. Retirez le capot.
3. Nettoyez le filtre à l'eau savonneuse. **N'UTILISEZ PAS D'ESSENCE !**

4. Séchez le filtre à l'air.
5. Placez quelques gouttes d'huile SAE30 dans le filtre à mousse et secouez-le légèrement pour retirer l'excédent de graisse.
6. Remontez le filtre.



**REMARQUE :** Remplacez le filtre s'il est ébréché, endommagé ou que vous ne pouvez pas le nettoyer. (Fig. 24)

## 11-2 LAME



**ATTENTION :** Assurez-vous de débrancher le câble de la bougie d'allumage et de le poser sur le sol avant d'effectuer des opérations de maintenance sur la lame et éviter tout démarrage accidentel du moteur. Protégez vos mains avec des gants épais ou attrapez les lames avec un chiffon.

Inclinez la tondeuse comme spécifié dans le manuel du moteur. Retirez le boulon hexagonal et la rondelle qui fixent la lame et l'adaptateur de lame au vilebrequin. Retirez la lame et l'adaptateur du vilebrequin.



**ATTENTION :** Inspectez régulièrement l'adaptateur de lame pour vérifier l'absence de fissures, particulièrement si vous heurtez un objet étranger. Le cas échéant, remplacez-le.

Pour des résultats optimaux, assurez-vous que la lame est aiguisée. La lame peut être affûtée ; il suffit de la retirer et de l'aiguiser en essayant de conserver le biseau d'origine. Pour éviter un déséquilibre, il est primordial que toutes les extrémités de coupe soient limées de façon équivalente. Un mauvais équilibre des lames peut provoquer des vibrations excessives, ce qui risque d'endommager le moteur et la tondeuse. Assurez-vous de bien équilibrer les lames après l'affûtage. Pour tester l'équilibre de la lame, placez-la sur un tournevis courbe. Retirez l'excédent du métal du côté lourd jusqu'à obtention de l'équilibrage. (Fig. 25)

Avant de remonter la lame et l'adaptateur de lame sur l'appareil, lubrifiez le vilebrequin du moteur et la surface intérieure de l'adaptateur de lame avec une huile à faible viscosité. Installez l'adaptateur de lame sur le vilebrequin, l'« étoile » éloignée du moteur. Consultez la Fig. 25. Placez la lame avec son numéro de pièce orientée à l'opposé de l'adaptateur. Alignez la rondelle sur la lame et insérez le boulon hexagonal. Serrez le boulon hexagonal au couple répertorié ci-dessous.

## 11-3 COUPLE DE MONTAGE DE LA LAME

Le boulon central doit être serré à un couple compris entre 35 et 45 Nm. Cela sert à garantir le fonctionnement sûr de votre appareil. TOUS les écrous et boulons doivent être inspectés régulièrement pour vérifier qu'ils sont bien serrés. Après une utilisation prolongée, particulièrement sur des sols sableux, la lame peut s'user et perdre sa forme d'origine. L'efficacité de coupe diminue et la lame doit être remplacée.

Ne remplacez la lame qu'avec une lame approuvée. Le fabricant décline toute responsabilité relative aux dégâts résultant d'un mauvais équilibre de la lame. Lorsque vous changez la lame, vous devez utiliser une lame du même type que celui d'origine (MAKITA

263001451) (pour commander cette lame, contactez votre fournisseur local ou appelez-nous).



**ATTENTION :** Ne touchez pas la lame en mouvement.

## 11-4 MOTEUR

Consultez le manuel du moteur pour connaître les instructions de maintenance du moteur.

Conformez-vous au manuel du moteur fourni avec l'appareil pour connaître les opérations de maintenance de l'huile du moteur.

Lisez soigneusement les instructions et suivez-les. Réparez le filtre à air conformément aux préconisations du manuel du moteur. Nettoyez-le régulièrement si vous utilisez l'appareil dans des conditions particulièrement poussiéreuses. De mauvaises performances et un noyage du moteur indiquent en général que le filtre à air doit être réparé.

Pour ce faire, consultez le manuel du moteur fourni avec l'appareil.

La bougie d'allumage doit être nettoyée et l'espace doit être vérifié une fois par an. Le remplacement de la bougie d'allumage est conseillé au début de chaque saison de tonte ; consultez le manuel du moteur pour connaître les bonnes spécifications d'espace et de type de bougie. Nettoyez régulièrement le moteur avec un chiffon ou une brosse. Gardez le système de refroidissement (ventilateur) propre pour permettre une bonne circulation de l'air, ce qui est essentiel aux performances et à la durée de vie du moteur. Assurez-vous de retirer toutes les herbes, la saleté et les débris de combustible du pot d'échappement.

## 12. INSTRUCTIONS DE STOCKAGE (HORS SAISON)

Les étapes suivantes doivent être respectées pour préparer la tondeuse au stockage.

1. À la fin de la saison, siphonnez complètement le réservoir de carburant.
2. Nettoyez et lubrifiez correctement la tondeuse, conformément aux instructions de lubrification.
3. Consultez le manuel du moteur pour connaître les bonnes instructions de stockage de l'appareil.
4. Pour éviter la rouille, recouvrez la lame de la tondeuse d'une fine couche de graisse pour châssis.
5. Rangez la tondeuse dans un endroit propre et sec.



**REMARQUE :**

- Lorsque vous rangez un appareil dans un lieu mal ventilé ou dans une remise ;
- Vous devez enduire l'appareil d'anti-rouille. Recouvrez l'équipement, et particulièrement ses câbles et pièces mobiles, d'une couche d'huile à faible viscosité ou de silicone.
- Faites attention à ne pas plier ou pincer les câbles.
- Si le câble du démarreur se débranche du guide câble du guidon, débranchez le câble de la bougie d'allumage et posez-le sur le sol, appuyez sur le guidon d'arrêt et sortez doucement le câble du démarreur du moteur. Faites glisser le câble du démarreur dans le boulon du guide câble du guidon.

## 13. DÉPANNAGE

| PROBLÈME   | CAUSE POSSIBLE   | ACTION CORRECTRICE  |
|--|--|---|
| Le moteur ne démarre pas.                              | La cale du papillon des gaz n'est pas dans la position adaptée aux conditions.                       | Mettez-la dans la bonne position.   |
|  | Le réservoir de carburant est vide.  | Remplissez-le : consultez le MANUEL DE L'UTILISATEUR DU MOTEUR.   |
|  | L'élément du filtre à air est encrassé.  | Nettoyez-le : consultez le MANUEL DE L'UTILISATEUR DU MOTEUR.   |
|  | La bougie d'allumage est desserrée.  | Resserrez-la à 25 - 30 Nm.  |
|  | Le câble de la bougie d'allumage est desserré ou débranché.  | Remontez-le sur la bougie d'allumage.   |
|  | L'espace de la bougie d'allumage est incorrect.  | Réglez l'espace entre les électrodes afin qu'il soit compris entre 0,7 et 0,8 mm.   |
|  | La bougie d'allumage est défectueuse.  | Installez une nouvelle bougie, en respectant l'espace préconisé : consultez le MANUEL DE L'UTILISATEUR DU MOTEUR.   |
|  | Le carburateur est noyé.   | Retirez l'élément du filtre à air et tirez plusieurs fois sur le câble du démarreur jusqu'à ce que le carburateur se vide, puis remontez l'élément du filtre à air. |
|  | Le module d'allumage est défectueux.   | Contactez le centre de service autorisé Makita.   |
| Le moteur a du mal à démarrer ou perd de la puissance. | Le réservoir de carburant est encrassé, éventé ou de l'eau s'y trouve.                               | Purge le carburant et nettoyez le réservoir. Refaites le niveau avec du carburant propre.   |
|  | L'échappement du capuchon du réservoir de carburant est branché.                                     | Nettoyez le capuchon du réservoir de carburant ou remplacez-le.   |
|  | L'élément du filtre à air est encrassé.  | Nettoyez-le.  |
| Le moteur fonctionne mal.                              | La bougie d'allumage est défectueuse.  | Installez une nouvelle bougie, en respectant l'espace préconisé : consultez le MANUEL DE L'UTILISATEUR DU MOTEUR.   |
|  | L'espace de la bougie d'allumage est incorrect.  | Réglez l'espace entre les électrodes afin qu'il soit compris entre 0,7 et 0,8 mm.   |
|  | L'élément du filtre à air est encrassé.  | Nettoyez-le : consultez le MANUEL DE L'UTILISATEUR DU MOTEUR.   |
| Mauvais ralenti du moteur.                             | L'élément du filtre à air est encrassé.  | Nettoyez-le : consultez le MANUEL DE L'UTILISATEUR DU MOTEUR.   |
|  | Les prises d'air du flasque du moteur sont obstruées.  | Débarrassez-les des débris.   |
|  | Les ailettes de refroidissement et passages d'air situés sous le ventilateur du moteur sont bloqués. | Débarrassez-les des éléments qui les bloquent.  |
| À grande vitesse, le moteur tressaute.                 | L'espace entre les électrodes des bougies est trop étroit.   | Réglez l'espace entre les électrodes afin qu'il soit compris entre 0,7 et 0,8 mm.   |
| Le moteur surchauffe.                                  | Le flux d'air de refroidissement est restreint.  | Retirez les éventuels débris se trouvant dans les fentes du flasque, du boîtier du ventilateur et des passages d'air.   |
|  | Mauvaise bougie d'allumage.  | Montez une bougie d'allumage et des ailettes de refroidissement RJ19LMC sur le moteur.  |
| La tondeuse tremble anormalement.                      | L'ensemble de coupe est lâche.   | Resserrez la lame.  |
|  | L'ensemble de coupe est déséquilibré.  | Équilibrez la lame.   |

## 14. ENVIRONNEMENT

Si votre machine doit être remplacée après une utilisation prolongée, ne la jetez pas avec les ordures ménagères mais mettez-la au rebut dans le respect de l'environnement.

**Pour les pays européens uniquement**  
**Déclaration de conformité CE**  
**Nous, Makita Corporation, en tant que fabricant responsable, déclarons que les machines Makita suivantes :**

Nom de la machine : Tondeuse à gazon à essence  
N° de modèle/Type : PLM4621, PLM4622  
Spécifications : Voir la section « 4. Caractéristiques techniques »

sont fabriquées en série et

**sont conformes aux directives européennes suivantes :**

2006/42/CE, 2004/108/CE,  
2000/14/CE et 2005/88/CE

et sont produites conformément aux normes ou documents de normalisation suivants :

EN836, EN ISO14982

La documentation technique est disponible auprès de notre représentant en Europe qui est :

Makita International Europe Ltd.,  
Michigan, Drive, Tongwell,  
Milton Keynes, MK15 8JD, Angleterre

La procédure d'évaluation de la conformité requise par la directive 2000/14/CE est conforme à l'annexe VI.

Organisme notifié :

TÜV SÜD Industrie Service GmbH  
Westendstraße 199, D-80686 München  
Numéro d'identification : 0036

Modèle PLM4621

Niveau de puissance sonore mesurée : 93,1 dB  
Niveau de puissance sonore garantie : 96 dB

Modèle PLM4622

Niveau de puissance sonore mesurée : 92,3 dB  
Niveau de puissance sonore garantie : 96 dB

11. 11. 2011



Tomoyasu Kato  
Directeur  
Makita Corporation  
3-11-8, Sumiyoshi-cho,  
Anjo, Aichi, JAPAN

### Spiegazione della vista generale

- |  |                                   |  |
|--|-----------------------------------|--|
| 1. Impugnatura superiore                 | 5. Impugnatura di avviamento      | 11. Tappo del serbatoio di carburante  |
| 2. Impugnatura di controllo dell'arresto | 6. Guida della corda              | 12. Tappo dell'olio                    |
| 3. Impugnatura di controllo semovenza    | 7. Sacco raccogliherba            | 13. Gancio fermacavo                   |
| 4. Leva di regime del motore             | 8. Leva di regolazione in altezza | 14. Manopola di blocco                 |
|  | 9. Corpo                          | 15. Leva di regolazione della velocità |
|  | 10. Candela                       |  |



### AVVERTENZA

Per ragioni di sicurezza, l'operatore deve leggere il presente manuale prima di azionare la nuova unità. Il mancato rispetto delle istruzioni può condurre a gravi infortuni. Dedicare qualche istante ad acquisire dimestichezza con il rasaerba prima di ogni uso.

## 1. SIMBOLI SUL PRODOTTO



Consultare il manuale dell'operatore.



Tenere a distanza gli osservatori.



Prestare particolare attenzione a mani e piedi dell'operatore per evitare infortuni.



Fumi tossici; Non utilizzare al chiuso.



Il carburante è infiammabile; conservarlo a distanza di sicurezza dalle fiamme. Non aggiungere carburante quando la macchina è in funzione.



Durante la rasatura, indossare gli occhiali e i tappi per le orecchie a scopo di protezione.



Durante la riparazione, togliere la candela e procedere alla riparazione attenendosi al manuale di istruzioni.



Attenzione: Il motore è caldo.



Rilasciare l'impugnatura di accensione per arrestare il motore.



Afferrare l'impugnatura di controllo semovenza per avanzare.

## 2. REGOLE DI SICUREZZA GENERALI



**AVVERTENZA:** Durante l'uso di macchine a benzina, è necessario adottare tutte le precauzioni di base per la sicurezza, comprese quelle indicate di seguito, per ridurre il rischio di gravi infortuni e/o danni all'unità.

Leggere tutte le istruzioni prima di azionare il prodotto e conservarle per successive consultazioni.



**AVVERTENZA:** La macchina produce un campo elettromagnetico quando è in uso. In alcune circostanze il campo potrebbe interferire con gli impianti medicali attivi o passivi. Per ridurre il rischio di incidenti gravi o mortali, si raccomanda alle persone con impianti medicali di consultare il proprio medico e il produttore dell'impianto medicale prima di utilizzare questa macchina.

### Addestramento

- Leggere attentamente le istruzioni. Acquisire familiarità con i comandi e con l'uso corretto dell'apparecchiatura.
- Non permettere che il rasaerba venga utilizzato da bambini o da persone che non abbiano dimestichezza con le presenti istruzioni. Le leggi locali possono fissare un'età minima per l'utilizzatore.
- Non utilizzare il rasaerba in presenza di persone, in particolare bambini, o animali nelle vicinanze.
- Tenere presente che l'operatore o l'utilizzatore è responsabile di incidenti o pericoli che possono riguardare altre persone o le loro proprietà.

### Preparazione

- Durante il taglio, indossare sempre calzature solide e pantaloni lunghi. Non azionare l'apparecchiatura a piedi nudi o se si indossano sandali aperti.



- Ispezionare a fondo l'area in cui dovrà essere utilizzato la macchina e rimuovere tutti gli oggetti che potrebbero essere scagliati dalla macchina.
- **AVVERTENZA:** La benzina è altamente infiammabile.
  - conservare il carburante in contenitori progettati specificamente per questo scopo;
  - eseguire il rifornimento all'aperto e non fumare durante il rifornimento;
  - aggiungere il carburante prima di avviare il motore. Non rimuovere il tappo del serbatoio di carburante e non aggiungere benzina mentre il motore è in funzione o se il motore è caldo;
  - in caso di fuoriuscite di benzina, non avviare il motore, ma allontanare la macchina dall'area della fuoriuscita ed evitare di creare fonti di accensione fino alla completa dissipazione dei vapori della benzina;
  - riapplicare correttamente i tappi del serbatoio di carburante e del contenitore.
- Sostituire le marmitte difettose.
- Prima dell'uso, ispezionare visivamente la macchina per controllare che le lame, i bulloni e il gruppo di taglia non siano usurati o danneggiati. Sostituire le lame e i bulloni usurati o danneggiati in gruppi per mantenere l'equilibratura.

## Funzionamento

- Non azionare il motore in uno spazio limitato, dove potrebbero raccogliersi i pericolosi fumi del monossido di carbonio.
- Utilizzare il rasaerba solamente alla luce del giorno o con buona luce artificiale.
- Evitare di utilizzare l'apparecchiatura sull'erba bagnata, se possibile.
- Accertarsi sempre del proprio punto d'appoggio sui terreni in pendenza.
- Camminare, senza correre.
- Per le macchine dotate di ruote, procedere in senso trasversale rispetto ai pendii.
- Prestare la massima attenzione ai cambi di direzione sui pendii.
- Non utilizzare il rasaerba su pendii eccessivamente ripidi.
- Prestare particolare attenzione durante i cambi di direzione o quando si tira il rasaerba verso di sé.
- Fermare la lama (o le lame) se il rasaerba deve essere inclinato per il trasporto, nell'attraversare superfici non erbose e quando il rasaerba viene trasportato da o verso l'area che deve essere tagliata.
- Non azionare mai il rasaerba se le protezioni sono difettose oppure in assenza dei dispositivi di sicurezza, ad esempio i deflettori e/o i sacchi raccogliherba.
- Non cambiare le impostazioni di funzionamento del motore e non sovraccaricare il motore.
- Disimpegnare la frizione della lama e di azionamento prima di avviare il motore.
- Avviare attentamente il motore, attenendosi alle istruzioni e tenendo i piedi a distanza dalle lame.
- Non inclinare il rasaerba durante l'avviamento del motore.
- Non avviare il motore rimanendo in piedi davanti al convogliatore e scarico.

- Non avvicinare mani e piedi alle parti rotanti o alle aree sottostanti. Rimanere sempre lontani dall'apertura di scarico.
- Non sollevare o trasportare il rasaerba quando il motore è in funzione.
- Spegner il motore e scollegare il filo della candela, assicurarsi che tutte le parti in movimento si siano completamente fermate e, se presente, rimuovere la chiave:
  - prima di rimuovere le ostruzioni o di disintasare il convogliatore;
  - prima di controllare, pulire o lavorare sul rasaerba;
  - dopo aver colpito un corpo estraneo. Verificare eventuali danni sul rasaerba ed effettuare le necessarie riparazioni prima di usare nuovamente la macchina;
  - se il rasaerba inizia a vibrare in modo anomalo (eseguire un controllo immediato).
- Spegner il motore e scollegare il filo della candela, assicurarsi che tutte le parti in movimento si siano completamente fermate e, se presente, rimuovere la chiave:
  - quando si lascia incustodito il rasaerba;
  - prima del rifornimento.
- Ridurre l'impostazione dell'acceleratore durante lo spegnimento del motore e, se il motore è dotato di una valvola di intercettazione, chiudere l'ingresso del carburante alla fine della rasatura.
- Utilizzate il rasaerba esclusivamente per lo scopo al quale è destinato, cioè il taglio e la raccolta dell'erba. Eventuali altri utilizzi possono essere pericolosi e causare danni alla macchina.

## Manutenzione e conservazione

- Mantenere serrati dadi, bulloni e viti per garantire che l'apparecchiatura sia in condizioni di funzionamento sicure.
- Non conservare un'apparecchiatura il cui serbatoio contiene benzina all'interno di un edificio in cui i fumi possono entrare a contatto con fiamme libere o scintille.
- Attendere il raffreddamento del motore prima di conservare la macchina al chiuso.
- Per ridurre il pericolo di incendi, rimuovere dal motore, dalla marmitta, dal vano batteria e dal serbatoio di benzina eventuali residui di erba, foglie o grasso in eccesso.
- Controllare di frequente il sacco raccogliherba per verificarne l'usura o il deterioramento.
- Sostituire le parti usurate o danneggiate per garantire la sicurezza.
- Se fosse necessario svuotare il serbatoio di carburante, svolgere l'operazione all'aperto.



**AVVERTENZA:** Non toccare le lame in rotazione.



**AVVERTENZA:** Eseguire il rifornimento in un'area ventilata con il motore spento.

### 3. DESCRIZIONE DELLE PARTI (Fig. 1 e 2)

#### Compresi

A: Chiave della candela

B: Cuneo di pacciamatura

### 4. DATI TECNICI

| Modello                                   | PLM4621                    | PLM4622                     |
|---|----------------------------|-----------------------------|
| Tipo di motore                            | B&S serie 650E, ReadyStart | B&S serie 675EX, ReadyStart |
| Semovente                                 | Sì                         | Sì                          |
| Cilindrata del motore                     | 190 cc                     | 190 cc                      |
| Larghezza della lama                      | 460 mm                     | 460 mm                      |
| Velocità al minimo                        | 2.800 giri/min             | 2.800 giri/min              |
| Capacità del serbatoio di carburante      | 1,0 l                      | 1,0 l                       |
| Capacità del serbatoio dell'olio          | 0,6 l                      | 0,6 l                       |
| Capacità del sacco raccogliherba          | 60 l                       | 60 l                        |
| Peso netto                                | 33,8 kg                    | 35,4 kg                     |
| Regolazione in altezza                    | 20-75 mm, 5 regolazioni    | 20-75 mm, 5 regolazioni     |
| Rumore (in base a EN836)                  |                            |                             |
| Livello di pressione sonora ( $L_{pA}$ ): | 81,5 dB (A)                | 83,1 dB (A)                 |
| Livello di potenza sonora ( $L_{wA}$ ):   | 93,1 dB (A)                | 92,3 dB (A)                 |
| Variazione (K):                           | 2,41 dB (A)                | 2,75 dB (A)                 |
| Vibrazione (in base a EN836)              |                            |                             |
| Emissione di vibrazioni ( $a_{H1}$ ):     | 6,4 m/s <sup>2</sup>       | 7,5 m/s <sup>2</sup>        |
| Variazione (K):                           | 1,5 m/s <sup>2</sup>       | 1,5 m/s <sup>2</sup>        |

### 5. MONTAGGIO

#### 5-1 MONTAGGIO DELL'IMPUGNATURA RIPIEGABILE

- Fissare i manubri inferiori al corpo dell'unità utilizzando le manopole di blocco, come mostrato nella figura. (Fig. 3, Fig. 4, Fig. 5, Fig. 6)
- Sbloccare le impugnature superiori per ripiegarle. Collegare l'impugnatura superiore e l'impugnatura inferiore alla manopola di blocco. (Fig. 7, Fig. 8)
- Posizionare tutti i cavi sopra gli alberi delle impugnature. Fissarli intorno alla parte centrale delle impugnature inferiori utilizzando i serracavi, in modo che i cavi siano fissati all'esterno della macchina. In caso contrario, i cavi potrebbero impigliarsi durante l'apertura o la chiusura del coperchio posteriore o essere sottoposti a pressione durante il ripiegamento dell'impugnatura superiore. (Fig. 9)

#### 5-2 MONTAGGIO DEL SACCO DI RACCOLTA

- Per il montaggio: Sollevare il coperchio posteriore e agganciare il sacco raccogliherba all'albero nella parte posteriore del rasaerba. (Fig. 10, Fig. 11)
- Per la rimozione: Afferrare e sollevare la copertura posteriore, quindi rimuovere il sacco di raccolta.

#### 5-3 IMPUGNATURA DI AVVIAMENTO

Spostare l'impugnatura di avviamento dal motore alla guida della corda. (Fig. 12, Fig. 13)

#### 5-4 ALTEZZA DI TAGLIO

Applicare una pressione verso l'esterno per sganciare la leva dal binario. Spostare la leva avanti o indietro per regolare l'altezza. (Fig. 14; vedere le clausole 8-9)

### 6. REGOLAZIONE DELL'ALTEZZA APPROPRIATA

- Rilasciare la manopola di blocco che fissa l'impugnatura inferiore, come indicato nella Fig. 15.
- Come indicato nella Fig. 16, muovere l'impugnatura inferiore in alto e in basso, regolandola all'altezza appropriata.  
Su questo tipo di rasaerba sono disponibili tre livelli di altezza: al livello 1, l'altezza dall'impugnatura inferiore al terreno è massima, al livello 3 è minima.
- Regolare l'altezza appropriata, quindi fissare l'impugnatura inferiore con le manopole di blocco.



**AVVERTENZA:** Il lato destro e il lato sinistro dell'impugnatura inferiore devono essere regolati alla stessa altezza.

### 7. RASAERBA PER PACCIAMATURA

Che cos'è la pacciamatura

Durante la pacciamatura, l'erba viene tagliata in un singolo passaggio, quindi viene triturrata finemente e riversata sulla striscia di terreno per l'uso come fertilizzante naturale.

Suggerimenti per la rasatura con pacciamatura:

- Eseguito regolarmente un taglio di 2 cm al massimo, per un'altezza dell'erba da 6 cm a 4 cm.
- Utilizzare una lama di taglio affilata.
- Non utilizzare il rasaerba sull'erba bagnata.
- Impostare il regime massimo del motore.
- Procedere esclusivamente al normale ritmo di lavoro.
- Pulire regolarmente il cuneo di pacciamatura, i lati interni dell'alloggiamento e la lama di rasatura.



**AVVERTENZA:** Eseguire l'operazione solo quando il motore è completamente arrestato e la lama è ferma.

1. Sollevare il coperchio posteriore e rimuovere il sacco raccogliherba.
2. Spingere il cuneo di pacciamatura nel corpo della macchina. Bloccare il cuneo di pacciamatura utilizzando il pulsante nell'apertura del corpo. (Fig. 17, Fig. 18)
3. Abbassare nuovamente il coperchio posteriore.

## 8. ISTRUZIONI PER L'USO

### 8-1 PRIMA DELLA MESSA IN FUNZIONE

Rifornire il motore di benzina e olio come indicato nel manuale del motore in dotazione con il rasaerba. Leggere attentamente le istruzioni.



**AVVERTENZA:** La benzina è altamente infiammabile.

Conservare il carburante in contenitori progettati specificamente per questo scopo.

Eseguire il rifornimento all'aperto, prima di avviare il motore, e non fumare durante il rifornimento o mentre si maneggia il carburante.

Non rimuovere il tappo del serbatoio di carburante e non aggiungere benzina mentre il motore è in funzione o se il motore è caldo.

In caso di fuoriuscite di benzina, non avviare il motore, ma allontanare la macchina dall'area della fuoriuscita ed evitare di creare fonti di accensione fino alla completa dissipazione dei vapori della benzina.

Riapplicare correttamente i tappi del serbatoio di carburante e del contenitore.

Prima di inclinare il rasaerba per eseguire la manutenzione della lama o per drenare l'olio, rimuovere il carburante dal serbatoio.



**AVVERTENZA:** Non riempire il serbatoio di carburante in ambienti chiusi, con il motore in funzione o se non sono trascorsi almeno 15 minuti dall'ultimo utilizzo per consentire il raffreddamento del motore.

### 8-2 PER AVVIARE IL MOTORE E INNESTARE LA LAMA

1. L'unità è dotata di un mantice in gomma all'estremità della candela; assicurarsi che l'anello in metallo all'estremità del filo della candela (all'interno del mantice in gomma) sia serrato correttamente sulla punta in metallo della candela.
2. All'avvio a freddo del motore, portare la leva di regime del motore nella posizione "☁". Per l'avvio a caldo e durante l'uso, portare la leva di regime del motore nella posizione "☁". (Fig. 19)
3. Rimanendo dietro l'unità, afferrare l'impugnatura di controllo dell'arresto e tenerla contro l'impugnatura superiore, come mostrato nella Fig. 20.
4. Afferrare l'impugnatura di avviamento come mostrato nella Fig. 20 e tirarla rapidamente verso l'alto. Riportarla lentamente verso il bullone della guida della corda dopo l'avviamento del motore. Rilasciare l'impugnatura di controllo dell'arresto per spegnere il motore e fermare la lama.



Avviare attentamente il motore, attenendosi alle istruzioni e tenendo i piedi a distanza dalla lama.



Non inclinare il rasaerba durante l'avviamento del motore. Avviare il rasaerba su una superficie in piano, in cui non vi siano erba alta e ostacoli.



Tenere mani e piedi lontano dalle parti in dotazione. Non avviare il motore rimanendo in piedi davanti all'apertura di scarico.

### 8-3 PROCEDURA D'USO

Durante l'uso, tenere saldamente l'impugnatura di controllo dell'arresto con entrambe le mani.



**Nota:** Durante l'uso, se si rilascia l'impugnatura di controllo dell'arresto il motore si spegne e il rasaerba smette di funzionare.

### 8-4 PER SPEGNERE IL MOTORE



**ATTENZIONE:** La lama continua a ruotare per qualche secondo dopo lo spegnimento del motore.

1. Rilasciare l'impugnatura di controllo dell'arresto per spegnere il motore e fermare la lama.
2. Per evitare l'avviamento accidentale dell'apparecchiatura incustodita, scollegare e collegare a terra il filo della candela, come indicato nel manuale del motore.

### 8-5 COLLEGAMENTO PER SEMOVENZA

#### Per PLM4621

Afferrando l'impugnatura di controllo semovenza, il rasaerba avanzerà automaticamente alla velocità di circa 1 m/s; rilasciando l'impugnatura di semovenza, il rasaerba si fermerà.

#### Per PLM4622

Il rasaerba è dotato di un sistema di regolazione della velocità che consente di regolare la velocità su 3 diversi regimi: da 3,0 km/h a 4,5 km/h.

Di seguito, la relativa procedura:

1. Rilasciare l'impugnatura di controllo semovenza fino a che il rasaerba non smette di avanzare.
2. Regolare la velocità sul regime desiderato.
3. Afferrare l'impugnatura di controllo semovenza per riprendere la rasatura. (Fig. 21)



**ATTENZIONE:** Il rasaerba è progettato per tagliare la normale erba di un prato domestico di altezza non superiore ai 250 mm.

Non tentare di utilizzare su erba, asciutta o bagnata, particolarmente alta (ad esempio, foraggio) o su cumuli di foglie secche. Residui possono accumularsi sul corpo del rasaerba o venire a contatto con i gas di scarico del motore, con conseguente pericolo di incendio.

### 8-6 PER I MIGLIORI RISULTATI DURANTE LA PACCIAMATURA

Eliminare eventuali detriti dal prato. Assicurarsi che sul prato non siano presenti pietre, bastoni, fili o altri corpi estranei che potrebbero essere accidentalmente scagliati dal rasaerba in qualsiasi direzione, causando gravi infortuni all'operatore e ad altre persone, nonché danni alle cose e agli oggetti circostanti. Non tagliare l'erba

bagnata. Per una pacciamatura efficace, evitare di tagliare l'erba bagnata che tende ad aderire alla parte inferiore del corpo della macchina, impedendo una corretta pacciamatura dei frammenti d'erba. Non tagliare l'erba per più di 1/3 della sua lunghezza.

La profondità di taglio consigliata per la pacciamatura è pari a 1/3 della lunghezza dell'erba. La velocità a terra deve essere regolata in modo che i frammenti possano essere sparsi in modo uniforme sul prato. Per il taglio di erba particolarmente spessa potrebbe essere necessario utilizzare una delle velocità più basse per ottenere un taglio con pacciamatura corretto. Durante la pacciamatura di erba lunga, potrebbe essere necessario tagliare il prato in due passaggi, abbassando la lama di un'altro terzo della lunghezza dell'erba per il secondo taglio e magari procedendo in una direzione diversa rispetto al primo taglio.

Sovrapporre leggermente il taglio ad ogni passaggio per ripulire eventuali frammenti rimasti sul prato. Il rasaerba deve essere sempre utilizzato alla massima accelerazione per ottenere il taglio migliore e consentire un lavoro di pacciamatura efficace. Pulire la parte inferiore del corpo della macchina.

Pulire la parte inferiore del corpo di taglio dopo ogni utilizzo per evitare accumuli d'erba che impedirebbero una pacciamatura corretta. Pacciamatura delle foglie. Anche la pacciamatura delle foglie può risultare vantaggiosa per il prato. Durante questo tipo di pacciamatura, assicurarsi che le foglie siano asciutte e che lo strato sul prato non sia troppo spesso. Non attendere la caduta di tutte le foglie dagli alberi prima di eseguire la pacciamatura.



**AVVERTENZA:** Nel caso venisse colpito un corpo estraneo, spegnere il motore, staccare il filo dalla candela, ispezionare scrupolosamente il rasaerba alla ricerca di danni ed eventualmente riparare il danno prima di rimettere in funzione il rasaerba. Un'eccessiva vibrazione del rasaerba durante l'uso è indice di danni. L'unità deve essere prontamente ispezionata e riparata.

## 8-7 SACCO RACCOGLIERBA

Svuotare e pulire il sacco, assicurandosi che sia pulito e che la ventilazione non sia ostruita (Fig. 22).

## 8-8 CORPO

Il lato inferiore del corpo del rasaerba deve essere pulito dopo ogni utilizzo per evitare l'accumulo di frammenti di erba, foglie, sporcizia e altri corpi estranei. Un accumulo di residui può portare alla ruggine e alla corrosione, impedendo una corretta pacciamatura. Il corpo può essere pulito inclinando il rasaerba e raschiando la parte con un utensile adatto (assicurarsi che il filo della candela sia scollegato).

## 8-9 ISTRUZIONI PER LA REGOLAZIONE IN ALTEZZA



**ATTENZIONE:** Non eseguire mai regolazioni sul rasaerba senza aver prima spento il motore e scollegato il filo della candela.



**ATTENZIONE:** Prima di cambiare l'altezza di rasatura, spegnere il rasaerba e scollegare il filo della candela.

Il rasaerba è dotato di una leva di regolazione in altezza centrale che consente di impostare 5 posizioni di altezza.

1. Spegnere il rasaerba e scollegare il filo della candela prima di cambiare l'altezza di taglio della macchina.
2. La leva di regolazione in altezza centrale consente di impostare 5 diverse posizioni di altezza.
3. Per cambiare l'altezza di taglio, premere la leva di regolazione verso la ruota, alzandola o abbassandola all'altezza desiderata. (Fig. 23) Tutte le ruote assumeranno la stessa altezza di taglio.

## 9. ISTRUZIONI PER LA MANUTENZIONE

### CANDELA

Utilizzare solo candele originali per la sostituzione. Per i migliori risultati, sostituire la candela ogni 100 ore di funzionamento. (consultare il MANUALE DEL MOTORE)

## 10. ISTRUZIONI PER LA LUBRIFICAZIONE



**ATTENZIONE:** SCOLLEGARE LA CANDELA PRIMA DI ESEGUIRE LA MANUTENZIONE.

1. RUOTE - Lubrificare i cuscinetti a sfera di ogni ruota almeno una volta per stagione, utilizzando un olio leggero.
2. MOTORE - Attenersi alle istruzioni per la lubrificazione nel manuale del motore.
3. CONTROLLO DELLA LAMA - Lubrificare i perni sull'impugnatura di controllo della lama e il cavo del freno almeno una volta per stagione, utilizzando un olio leggero. Il controllo della lama deve operare liberamente in entrambe le direzioni.

## 11. PULIZIA



**ATTENZIONE:** Non lavare il motore. L'acqua può danneggiare il motore o contaminare l'impianto di combustione.

1. Pulire il corpo con un panno asciutto.
2. Lavare la parte inferiore del corpo inclinando il rasaerba in modo che la candela sia in alto.

## 11-1 FILTRO DELL'ARIA DEL MOTORE



**ATTENZIONE:** Evitare che sporcizia e polvere ostruiscano l'elemento in gommapiuma del filtro dell'aria.

Il filtro dell'aria del motore deve essere sottoposto a manutenzione (pulizia) ogni 25 ore di rasatura normale. L'elemento in gommapiuma deve essere sottoposto a manutenzione periodica se il rasaerba è utilizzato in ambienti asciutti molto polverosi. (consultare il MANUALE DEL MOTORE)

## PER PULIRE IL FILTRO DELL'ARIA

1. Rimuovere le vite.
2. Rimuovere il coperchio.
3. Lavare l'elemento filtrante in acqua e sapone. **NON UTILIZZARE BENZINA.**
4. Lasciare asciugare all'aria l'elemento filtrante.
5. Versare alcune gocce di olio SAE30 sul filtro in gommapiuma e spremere forte per rimuovere l'eventuale olio in eccesso.

6. Riapplicare il filtro.



**NOTA:** Il filtro deve essere sostituito se è sfilacciato, lacerato, danneggiato o se non può essere pulito. (Fig. 24)

## 11-2 LAMA DI TAGLIO



**ATTENZIONE:** Per evitare l'avvio accidentale del motore, staccare e collegare a terra il filo della candela prima di lavorare sulla lama di taglio. Proteggere le mani utilizzando guanti spessi o stracci per afferrare le lame di taglio.

Inclinare il rasoerba come specificato nel manuale del motore. Rimuovere il bullone esagonale e la rondella che fissano la lama e l'adattatore della lama all'albero a gomiti del motore. Rimuovere la lama e l'adattatore dall'albero a gomiti.



**AVVERTENZA:** Ispezionare periodicamente l'adattatore della lama alla ricerca di crepe, in particolare se è stato colpito un corpo estraneo. Effettuare la sostituzione quando necessario.

Per i migliori risultati la lama deve essere affilata. Per affilare la lama è possibile rimuoverla e molare o limare il tagliente mantenendo il più possibile la smussatura originale. È particolarmente importante che ogni tagliente riceva una molatura identica per evitare che la lama non sia bilanciata. Un'equilibratura errata della lama può comportare la comparsa di vibrazioni eccessive in grado di danneggiare il motore e il rasoerba. Bilanciare attentamente la lama dopo l'affilatura. L'equilibratura della lama può essere verificata bilanciandola su un cacciavite a manico rotondo. Rimuovere il metallo dal lato più pesante fino a ottenere l'equilibrio. (Fig. 25)

Prima di rimontare la lama e l'adattatore della lama sull'unità, lubrificare l'albero a gomiti del motore e la superficie interna dell'adattatore della lama con olio leggero. Montare l'adattatore della lama sull'albero a gomiti mantenendo la "stella" lontana dal motore. Vedere la Fig. 25. Posizionare la lama con il numero di componente rivolto nella direzione opposta rispetto all'adattatore. Allineare la rondella alla lama e inserire il bullone esagonale. Serrare il bullone esagonale alla coppia elencata di seguito.

## 11-3 COPPIA DI MONTAGGIO DELLA LAMA

Il bullone centrale deve essere serrato a una coppia di 35 - 45 Nm. Per garantire un funzionamento sicuro dell'unità, è necessario controllare periodicamente tutti i dati e i bulloni per verificare che siano serrati correttamente. A seguito di un uso prolungato, in particolare se il terreno è sabbioso, la lama si usura e perde la sua forma originale. L'efficienza di taglio si riduce ed è necessario sostituire la lama.

Eseguire la sostituzione solo con una lama approvata dalla fabbrica. Eventuali danni derivanti da una condizione di squilibrio della lama non potranno essere imputati al produttore.

Durante la sostituzione della lama, utilizzare il tipo originale indicato sulla lama stessa (MAKITA 263001451) (per ordinare la lama, rivolgersi al rivenditore di zona o contattare l'azienda).



**AVVERTENZA:** Non toccare le lame in rotazione.

## 11-4 MOTORE

Consultare il manuale del motore per ottenere le istruzioni sulla manutenzione del motore.

Eseguire la manutenzione dell'olio motore come indicato nel manuale del motore in dotazione con l'unità.

Leggere e rispettare attentamente le istruzioni. In condizioni normali, eseguire la manutenzione del filtro dell'aria come indicato nel manuale del motore. Eseguire la pulizia ogni poche ore in ambienti particolarmente polverosi. La riduzione delle prestazioni del motore e l'ingolfamento solitamente indicano la necessità di procedere alla manutenzione del filtro dell'aria.

Per eseguire la manutenzione del filtro dell'aria, consultare il manuale del motore in dotazione con l'unità. Una volta per stagione è necessario pulire la candela e ripristinare il gap. Si consiglia di sostituire la candela all'inizio di ogni stagione di rasatura; consultare il manuale del motore per conoscere il tipo di candela necessario e le specifiche sul gap.

Pulire regolarmente il motore con un panno o un pennello. Mantenere pulito l'impianto di raffreddamento (area di alloggiamento del soffiante) per garantire la corretta ventilazione necessaria per le prestazioni e la durata del motore. Rimuovere tutta l'erba, la sporcizia e i residui combustibili dall'area della marmitta.

## 12. ISTRUZIONI PER LA CONSERVAZIONE (FUORI STAGIONE)

Eseguire le operazioni indicate di seguito per preparare il rasoerba prima di riporlo.

1. Dopo l'ultimo taglio della stagione, svuotare completamente il serbatoio di carburante.
2. Pulire e lubrificare scrupolosamente il rasoerba attenendosi alle istruzioni per la lubrificazione.
3. Consultare il manuale del motore per ottenere le istruzioni per una corretta conservazione del motore.
4. Rivestire la lama di taglio del rasoerba con un sottile strato di grasso per telai, al fine di impedire la comparsa di ruggine.
5. Riporre il rasoerba in un'area pulita e asciutta.



**NOTA:**

- Durante la conservazione di qualsiasi tipo di apparecchiatura elettrica in un ambiente non ventilato o in una rimessa per materiali;
- Prendere le precauzioni necessarie per impedire la comparsa di ruggine sull'apparecchiatura. Rivestire l'apparecchiatura con un olio leggero o con del silicone, prestando particolare attenzione ai cavi e a tutte le parti in movimento.
- Evitare di piegare o attorcigliare i cavi.
- Se la corda di avviamento si stacca dalla guida della corda sull'impugnatura, scollegare e collegare a terra il filo della candela, premere l'impugnatura di controllo della lama ed estrarre lentamente la corda di avviamento dal motore. Inserire la corda di avviamento nel bullone della guida della corda sull'impugnatura.

## 13. RISOLUZIONE DEI PROBLEMI

| PROBLEMA   | CAUSA PROBABILE   | INTERVENTO RISOLUTIVO  |
|--|---|--|
| Il motore non si avvia.                            | Il cuneo dell'acceleratore non è in una posizione corretta per le condizioni dominanti.                                 | Spostare il cuneo dell'acceleratore nella posizione corretta.  |
|  | Il serbatoio di carburante è vuoto.   | Rifornire il serbatoio di carburante; consultare il MANUALE DEL MOTORE.  |
|  | Il filtro dell'aria è sporco.   | Pulire il filtro dell'aria; consultare il MANUALE DEL MOTORE.  |
|  | La candela è allentata.   | Serrare la candela a 25 - 30 Nm.   |
|  | Il filo della candela è allentato o scollegato dalla candela.   | Collegare il filo della candela alla candele.  |
|  | Il gap della candela non è corretto.  | Impostare il gap tra gli elettrodi su una distanza compresa tra 0,7 e 0,8 mm.  |
|  | La candela è difettosa.   | Inserire una nuova candela con il gap corretto; consultare il MANUALE DEL MOTORE.  |
|  | Il carburatore è ingolfato dal carburante.  | Rimuovere il filtro dell'aria e tirare la corda di avviamento in modo continuo fino a pulire il carburatore, quindi inserire nuovamente il filtro dell'aria. |
|  | Il modulo di accensione è difettoso.  | Rivolgersi a un centro assistenza autorizzato Makita.  |
| Il motore si avvia con difficoltà o perde potenza. | Nel serbatoio di carburante sono presenti sporcizia, acqua o residui stantii.   | Drenare il carburante e pulire il serbatoio. Riempire il serbatoio con carburante nuovo.   |
|  | L'apertura di ventilazione nel tappo del serbatoio di carburante è ostruita.  | Pulire o sostituire il tappo del serbatoio di carburante.  |
|  | Il filtro dell'aria è sporco.   | Pulire il filtro dell'aria.  |
| Il motore funziona in modo incostante.             | La candela è difettosa.   | Inserire una nuova candela con il gap corretto; consultare il MANUALE DEL MOTORE.  |
|  | Il gap della candela non è corretto.  | Impostare il gap tra gli elettrodi su una distanza compresa tra 0,7 e 0,8 mm.  |
|  | Il filtro dell'aria è sporco.   | Pulire il filtro dell'aria; consultare il MANUALE DEL MOTORE.  |
| Il minimo del motore è insufficiente.              | Il filtro dell'aria è sporco.   | Pulire il filtro dell'aria; consultare il MANUALE DEL MOTORE.  |
|  | Le aperture di ventilazione nel pannello del motore sono ostruite.  | Rimuovere i residui dalle aperture.  |
|  | Le alette di raffreddamento e le aperture di ventilazione sotto l'alloggiamento del soffiante del motore sono bloccate. | Rimuovere i residui dalle alette di raffreddamento e dalle aperture di ventilazione.   |
| Il motore salta a velocità elevate.                | Il gap tra gli elettrodi della candela è troppo basso.  | Impostare il gap tra gli elettrodi su una distanza compresa tra 0,7 e 0,8 mm.  |
| Il motore si surriscalda.                          | Il flusso dell'aria di raffreddamento è limitato.   | Rimuovere eventuali residui dalle aperture dei pannelli, dall'alloggiamento del soffiante e dalle aperture di ventilazione.                                  |
|  | La candela non è corretta.  | Inserire una candela RJ19LMC con le alette di raffreddamento sul motore.   |
| Il rasoerba vibra in modo anomalo.                 | Il gruppo di taglio è allentato.  | Serrare la lama.   |
|  | Il gruppo di taglio è sbilanciato.  | Equilibrare la lama.   |

## 14. AMBIENTE

Se dopo un uso prolungato fosse necessario sostituire la macchina, non gettarla nei rifiuti domestici ma smaltirla in maniera ecocompatibile.

**Solo per i paesi europei**

**Dichiarazione di conformità CE**

**Makita Corporation, in qualità di produttore responsabile, dichiara che gli utensili Makita indicati di seguito:**

Denominazione dell'utensile: Rasaerba con motore a benzina

N. modello/Tipo: PLM4621, PLM4622

Caratteristiche tecniche: vedere "4. Dati tecnici" appartengono a una produzione in serie e

**sono conformi alle seguenti direttive europee:**

2006/42/EC, 2004/108/EC,  
2000/14/EC e 2005/88/EC

Sono inoltre prodotti in conformità con gli standard o i documenti standardizzati riportati di seguito:

EN836, EN ISO14982

La documentazione tecnica viene conservata dal rappresentante autorizzato Makita in Europa, ovvero:

Makita International Europe Ltd.,  
Michigan, Drive, Tongwell,  
Milton Keynes, MK15 8JD, Inghilterra

La procedura di valutazione della conformità richiesta dalla Direttiva 2000/14/CE è stata effettuata secondo quanto specificato nell'allegato VI.

Ente competente:

TÜV SÜD Industrie Service GmbH  
Westendstraße 199, D-80686 München  
Numero identificativo: 0036

Modello PLM4621

Livello di potenza sonora misurata: 93,1 dB

Livello di potenza sonora garantita: 96 dB

Modello PLM4622

Livello di potenza sonora misurato: 92,3 dB

Livello di potenza sonora garantito: 96 dB

11. 11. 2011



Tomoyasu Kato  
Direttore  
Makita Corporation  
3-11-8, Sumiyoshi-cho,  
Anjo, Aichi, JAPAN

**Verklaring van het onderdelenoverzicht**

- |                           |                           |                          |
|---------------------------|---------------------------|--------------------------|
| 1. Bovenste handgreep     | 6. Koordgeleider          | 11. Brandstoftankdop     |
| 2. Stophandgreep          | 7. Grasopvangzak          | 12. Olietankdop          |
| 3. Aandrijfhendel         | 8. Maaihoogteregelhefboom | 13. Snoerklem            |
| 4. Gashendel              | 9. Maaidek                | 14. Vergrendelknop       |
| 5. Handvat van startkoord | 10. Bougie                | 15. Snelheidsregelhendel |



**WAARSCHUWING**

Lees, voor uw eigen veiligheid, deze gebruiksaanwijzing voordat u uw nieuwe gereedschap gaat gebruiken. Als de aanwijzingen niet worden nageleefd kan dat tot ernstig persoonlijk letsel leiden. Besteed voor elk gebruik enige tijd om uzelf vertrouwd te maken met de grasmaaier.



Laat de stophandgreep los om de motor uit te schakelen.



Duw de aandrijfhendel tegen de bovenste handgreep om naar voren te rijden.

**1. VERKLARING VAN DE SYMBOLEN OP HET PRODUCT**



Lees de gebruiksaanwijzing.



Houd omstanders uit de buurt.



Besteed als gebruiker extra aandacht aan handen en voeten om letsel te voorkomen.



Gifige dampen! Niet binnenshuis gebruiken.



Benzine is brandbaar, blijf uit de buurt van open vuur. Als de motor draait mag geen benzine worden bijgevoerd.



Draag ter bescherming van de gebruiker tijdens het maaien een veiligheidsbril en gehoorbescherming.



Maak de bougiekabel los voordat u reparaties, zoals beschreven in de gebruiksaanwijzing, uitvoert.



Let op: Motor is heet.

**2. ALGEMENE VEILIGHEIDSVORSCHRIFTEN**



**WAARSCHUWING:** Bij gebruik van gereedschap met een verbrandingsmotor moeten altijd de algemene veiligheidsvoorzieningen worden opgevolgd om het risico van ernstig persoonlijk letsel en/of schade aan het gereedschap te verminderen.

Lees deze gebruiksaanwijzing voordat u deze grasmaaier gaat gebruiken en bewaar deze gebruiksaanwijzing om hem later te kunnen raadplegen.



**WAARSCHUWING:** Dit gereedschap produceert tijdens gebruik een elektromagnetisch veld. Onder bepaalde omstandigheden kan dit veld de werking van actieve of passieve medische implantaten hinderen. Om het risico van ernstig persoonlijk en fataal letsel te verminderen, adviseren wij personen met medische implantaten hun arts en de fabrikant van het implantaat te raadplegen alvorens dit gereedschap te bedienen.

**Aanwijzingen**

- Lees de gebruiksaanwijzingen zorgvuldig. Zorg dat u vertrouwd bent met de bedieningsknoppen en de juiste omgang met het gereedschap.
- Laat in geen geval kinderen of personen die deze gebruiksaanwijzing niet gelezen hebben de grasmaaier gebruiken. De leeftijd van de gebruiker kan landelijk gereguleerd zijn.
- Gebruik de grasmaaier in geen geval als er personen, met name kinderen of dieren in de buurt zijn.
- Denk eraan dat de bediener of gebruiker van de grasmaaier aansprakelijk is voor ongevallen en onvoorziene gebeurtenissen die personen of hun eigendommen kunnen overkomen.

**Vorbereidingen**

- Draag tijdens het maaien altijd stevige schoenen en een lange broek. Gebruik de grasmaaier niet met blote voeten of met open sandalen.
- Controleer het gehele terrein dat u wilt maaien grondig en verwijder alles wat door het gereedschap kan worden weggeslingerd.
- **WAARSCHUWING** - Benzine is bijzonder brandbaar.



- bewaar benzine in speciaal daarvoor bestemde jerrycans;
- vul alleen benzine bij in de open lucht en rook daarbij niet;
- vul benzine bij voor het starten van de motor. Verwijder nooit de brandstoftankdop en vul nooit benzine bij terwijl de motor draait of wanneer de motor warm is;
- als benzine wordt gemorst, mag u niet proberen de motor te starten, maar moet de grasmaaier worden verwijderd van de plaats waar de benzine gemorst is, en mag de motor niet worden gestart voordat de benzine verdampt is;
- plaats de doppen stevig terug op de brandstoftank en jerrycan.
- Vervang defecte geluiddempers.
- Voer vóór gebruik altijd een visuele controle uit of het maaimes, de mesbout of het maimechanisme versleten of beschadigd is. Vervang het versleten of beschadigd maimes en mesbout altijd samen, om onbalans te voorkomen.

## Bediening

- Laat de verbrandingsmotor niet draaien in een gesloten ruimte waarin gevaarlijke koolmonoxidedampen zich kunnen ophopen.
- Werk alleen bij daglicht of bij goed kunstlicht.
- Gebruik de grasmaaier bij voorkeur niet wanneer het gras nat is.
- Zorg er op een helling altijd voor dat u stevig staat.
- Loop rustig, nooit te snel.
- Maai met cirkelmaaiers met wielen een helling altijd in de dwarsrichting en nooit van boven naar beneden.
- Ga altijd uiterst voorzichtig te werk bij het veranderen van richting op een helling.
- Maai niet op bijzonder steile hellingen.
- Pas goed op als u de grasmaaier achteruit laat rijden of naar u toe haalt.
- Het maimes moet stilstaan wanneer de grasmaaier bij het vervoeren moet worden gekanteld, wanneer de grasmaaier over een oppervlak waar geen gras groeit moet worden verplaatst en bij het vervoer naar en van een te maaien gedeelte.
- Gebruik de grasmaaier nooit met defecte afschermingen of zonder veiligheidsvoorzieningen zoals een achterklep en/of grasopvangzak.
- Verander de regelafstellingen van de motor niet en laat het toerental van de motor niet buitengewoon hoog oplopen.
- Schakel het maimes en de aandrijving uit voordat u de motor start.
- Start de motor zorgvuldig zoals aangegeven in de gebruiksaanwijzing en blijf met uw voeten steeds op voldoende afstand van het maimes.
- Tijdens het starten van de motor mag de grasmaaier niet worden gekanteld.
- Start de motor niet als u voor het uitwerpkanaal staat.
- Kom niet met uw handen of voeten in de buurt van of onder draaiende delen. Blijf altijd uit de buurt van de uitwerpopening.
- De grasmaaier nooit optillen of dragen wanneer de motor loopt.

- Schakel de motor uit en maak de bougiekabel los, wacht tot de draaiende delen helemaal tot stilstand zijn gekomen en, indien aanwezig, verwijder de sleutel:
  - voordat u blokkeringen opheft of voordat u het uitwerpkanaal leegt;
  - voordat u de grasmaaier controleert, reinigt of er werkzaamheden aan gaat verrichten;
  - na het raken van een vreemd voorwerp. Controleer of de grasmaaier beschadigd is en laat deze indien nodig repareren voordat u de grasmaaier opnieuw gaat starten en gebruiken;
  - als de grasmaaier op ongebruikelijke manier begint te trillen (onmiddellijk controleren).
- Schakel de motor uit en maak de bougiekabel los, wacht tot de draaiende delen helemaal tot stilstand zijn gekomen en, indien aanwezig, verwijder de sleutel:
  - ledere keer als u de grasmaaier onbeheerd achterlaat;
  - voordat u brandstof bijvult.
- Zet de gashendel terug vóórdát u de motor uitschakelt en indien de motor is voorzien van een brandstofkraan, moet deze na het maaien worden dicht gezet.
- Gebruik de grasmaaier uitsluitend voor het doel waarvoor hij is ontworpen: voor het maaien en opvangen van gras. Al het andere gebruik kan gevaarlijk zijn en schade aan het gereedschap veroorzaken.

## Onderhoud en opslag

- Zorg ervoor dat alle bouten en de schroeven stevig vastgedraaid zijn om er zeker van te zijn dat het gereedschap altijd op een veilige manier gebruiksklaar is.
- Zet de grasmaaier niet met brandstof in de brandstoftank in een ruimte waar de brandstofdampen in aanraking kunnen komen met vlammen of vonken.
- Laat de motor afkoelen vóórdát u de grasmaaier opbergt.
- Om het brandgevaar zoveel mogelijk te beperken moet u de motor, de geluiddemper, de accubak en de brandstoftank vrijhouden van gras, bladeren of overtollig vet.
- Controleer regelmatig de grasopvangzak op slijtage en beschadigingen.
- Vervang veiligheidshalve versleten of beschadigde delen.
- Als de brandstoftank moet worden geleegd, moet u dit in de open lucht doen.



**WAARSCHUWING:** Raak het draaiende maimes niet aan.



**WAARSCHUWING:** Vul de brandstoftank bij in een goed geventileerde ruimte terwijl de motor is uitgeschakeld.

## 3. BESCHRIJVING VAN DE ONDERDELEN (zie afb. 1 en 2)

**Bijgeleverd:**

A: Bougiesleutel

B: Mulchinzet

## 4. TECHNISCHE GEGEVENS

| Model                              | PLM4621                     | PLM4622                      |
|------------------------------------|-----------------------------|------------------------------|
| Motortype                          | B&S 650E-series, ReadyStart | B&S 675EX-series, ReadyStart |
| Zelfaandrijving                    | Ja                          | Ja                           |
| Cilinderinhoud                     | 190 cc                      | 190 cc                       |
| Maai breedte                       | 460 mm                      | 460 mm                       |
| Stationair toerental               | 2.800/min                   | 2.800/min                    |
| Inhoud brandstoftank               | 1,0 liter                   | 1,0 liter                    |
| Inhoud olietank                    | 0,6 liter                   | 0,6 liter                    |
| Capaciteit grasopvangzak           | 60 liter                    | 60 liter                     |
| Netto gewicht                      | 33,8 kg                     | 35,4 kg                      |
| Maaihoogteregeling                 | 20-75 mm, 5 standen         | 20-75 mm, 5 standen          |
| Geluidsproductie volgens EN836     |                             |                              |
| Geluidsdrukniveau ( $L_{pA}$ ):    | 81,5 dB (A)                 | 83,1 dB (A)                  |
| Geluidsvermogeniveau ( $L_{WA}$ ): | 93,1 dB (A)                 | 92,3 dB (A)                  |
| Onzekerheid (K):                   | 2,41 dB (A)                 | 2,75 dB (A)                  |
| Trillingen volgens EN836           |                             |                              |
| Trillingsemisatie ( $a_n$ ):       | 6,4 m/s <sup>2</sup>        | 7,5 m/s <sup>2</sup>         |
| Onzekerheid (K):                   | 1,5 m/s <sup>2</sup>        | 1,5 m/s <sup>2</sup>         |

## 5. DE ONDERDELEN MONTEREN

### 5-1 DE INKLAPBARE HANDGREEP MONTEREN

- Bevestig het onderste gedeelte van de handgreep aan het chassis met de vergrendelknoppen, zoals afgebeeld. (zie afb. 3 t/m 6)
- Klap de bovenste handgreep omhoog. Zet de bovenste handgreep op de onderste handgreep vast met de vergrendelhendel. (zie afb. 7 en 8)
- Plaats alle snoeren op de buis van de handgrepen. Klem ze met de snoerklemmen vast in het midden van de onderste handgrepen, zodanig dat de snoeren aan de buitenkant van het gereedschap zijn bevestigd. De snoeren kunnen anders bekneld raken bij het openen/sluiten van de achterklep of uitgerek worden bij het neerklappen van de bovenste handgreep. (zie afb. 9)

### 5-2 GRASOPVANGZAK MONTEREN/ DEMONTEN

- Montage: Til de achterklep op en haak de grasopvangzak aan de achterkant van de grasmaaier. (zie afb. 10 en 11)
- Demontage: Til de achterklep op en verwijder de grasopvangzak.

### 5-3 HANDVAT VAN STARTKOORD

Verplaats het handvat van het startkoord van de motor naar de koordgeleider. (zie afb. 12 en 13)

### 5-4 MAAIHOOGTEREGELING

Duw de regelhefboom naar buiten om hem uit de huidige stand te halen. Beweeg de regelhefboom naar voren of achteren om de maaihoogte in te stellen. (zie afb. 14 en de beschrijving bij punt 8-9)

## 6. DE BEDIENINGSHOOGTE INSTELLEN

- Draai de vergrendelknop los waarmee de onderste handgreep is bevestigd (zie afb. 15).

- Beweeg de onderste handgreep omhoog of omlaag om de gewenste bedieningshoogte in te stellen (zie afb. 16).  
U kunt op deze grasmaaier kiezen uit 3 hoogtestanden: bij hoogtestand 1 is de afstand tussen de onderste handgreep en de grond het grootst, en bij hoogtestand 3 het kleinst.
- Stel de gewenste bedieningshoogte in en zet daarna de onderste handgreep vast met de vergrendelknoppen.



**WAARSCHUWING:** De linker- en rechterkant van de onderste handgreep moeten op dezelfde hoogtestand worden ingesteld.

## 7. MULCHMAAIER

Wat is mulchen?

Bij mulchen wordt het gras eerst gemaaid, vervolgens uiterst fijn versnipperd, en tenslotte in het gras teruggeblazen als natuurlijke meststof.

Tips voor mulchmaaien:

- Maai het gras regelmatig met maximaal 2 cm van 6 cm naar 4 cm grashoogte.
- Gebruik een scherp maaimes.
- Maai geen nat gras.
- Gebruik het maximale motortoerental.
- Duw de grasmaaier met een rustige werksnelheid.
- Maak regelmatig de mulchinzet, binnenkant van de behuizing en het maaimes schoon.



**WAARSCHUWING:** Alleen met een uitgeschakelde motor en stilstaand maaimes.

- Til de achterklep op en verwijder de grasopvangzak.
- Plaats de mulchinzet in het maaidek. Zet de mulchinzet vast met de knop in de opening van het maaidek. (zie afb. 17 en 18)
- Laat de achterklep weer zakken.

## 8. BEDIENINGSINSTRUCTIES

### 8-1 VOOR DE MOTOR TE STARTEN

Vul de brandstoftank en olietank bij zoals aangegeven in de aparte gebruiksaanwijzing voor de motor, die bij de grasmaaier is geleverd. Lees de gebruiksaanwijzingen zorgvuldig.



**WAARSCHUWING:** Benzine is bijzonder brandbaar.

Bewaar brandstof in speciaal daarvoor bestemde jerrycans.

Vul brandstof alleen bij in de open lucht en voordat de motor wordt gestart, en rook niet tijdens het bijvullen of hanteren van brandstof.

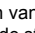
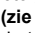
Verwijder nooit de brandstoftankdop en vul nooit benzine bij terwijl de motor draait of wanneer de motor warm is. Als brandstof is gemorst, mag u niet proberen de motor te starten, maar moet de grasmaaier worden verwijderd van de plaats waar de brandstof is gemorst, en mag de motor niet worden gestart voordat de brandstof verdampt is. Plaats de doppen stevig terug op de brandstoftank en jerrycan.

Voordat u de grasmaaier kantelt voor onderhoud van het maaimes of voor aftappen van de olie, moet u de brandstoftank volledig leegmaken.



**WAARSCHUWING:** In geen geval mag u brandstof bijvullen in een gebouw, terwijl de motor draait of als het afkoelen van de motor na draaien korter heeft geduurd dan 15 minuten.

### 8-2 DE MOTOR STARTEN EN HET MAAIMES INSCHAKELEN

1. Bij deze grasmaaier zit het uiteinde van de bougie een rubberen mof. Zorg ervoor dat de metalen huls aan het uiteinde van de bougiekabel (binnenin de rubberen mof) goed vastzit op de metalen elektrode van de bougie.
2. Bij het starten van een koude motor, moet u de gashendel in de stand “” zetten. Bij het starten van een warme motor, moet u de gashendel in de stand “” zetten. (zie **afb. 19**)
3. U gaat achter het gereedschap staan, pakt de stophandgreep vast en houdt deze tegen de bovenste handgreep, zoals afgebeeld in **afb. 20**.
4. Pak het handvat van het startkoord vast, zoals afgebeeld in **afb. 20**, en trek het snel naar u toe. Plaats het handvat na het starten van de motor rustig terug tegen de koordgeleider. Als u de stophandgreep loslaat, slaat de motor af en stopt het maaimes vanzelf.



Start de motor zorgvuldig zoals aangegeven in de gebruiksaanwijzing en blijf met uw voeten steeds op voldoende afstand van het maaimes.



Tijdens het starten van de motor mag de grasmaaier niet worden gekanteld. Start de grasmaaier op een vlakke ondergrond zonder hoog gras of obstakels.



Houd uw handen en voeten uit de buurt van draaiende delen. Start de motor niet als u voor de uitwerpopening staat.

### 8-3 TIJDENS HET GEBRUIK

Houd tijdens het gebruik de stophandgreep met beide handen stevig vast.



**Opmerking:** Als u tijdens het gebruik de stophandgreep loslaat, slaat de motor af waardoor de grasmaaier stopt.

### 8-4 DE MOTOR STOPPEN



**LET OP:** Het maaimes draait na het uitschakelen van de motor nog enkele seconden door.

1. Als u de stophandgreep loslaat, slaat de motor af en stopt het maaimes vanzelf.
2. Maak de bougiekabel los en aard deze zoals aangegeven in de aparte gebruiksaanwijzing voor de motor om per ongeluk starten te voorkomen als de grasmaaier onbeheerd achtergelaten wordt.

### 8-5 ZELFAANDRIJVING

#### Voor model PLM4621

Duw de aandrijfhendel tegen de bovenste handgreep, de grasmaaier begint automatisch naar voren te rijden met ongeveer 1 m/s. Laat de aandrijfhendel los en de grasmaaier stopt met rijden.

#### Voor model PLM4622

De grasmaaier is uitgerust met een snelheidsregeling die drie snelheden kan instellen van 3,0 km/u tot en met 4,5 km/u.

Volg onderstaande stappen:

1. Laat de aandrijfhendel los en wacht tot de grasmaaier niet meer naar voren rijdt.
2. Stel de gewenste snelheid in.
3. Duw de aandrijfhendel tegen de bovenste handgreep en de grasmaaier begint automatisch naar voren te rijden. (zie **afb. 21**)



**LET OP:** Uw grasmaaier is bedoeld om normaal tuingras te maaien met een maximale lengte van 250 mm. Probeer niet in ongebruikelijk hoog, droog of nat gras (bijvoorbeeld een weiland) of een berg droge bladeren te maaien. Afval kan zich ophopen op het maaidek of in aanraking komen met de motoruitlaat waardoor mogelijk brandgevaar ontstaat.

### 8-6 HET BESTE RESULTAAT BIJ MULCHEN

Verwijder afval van het gazon. Zorg dat het gazon vrij is van stenen, stokken, draadstukken of andere vreemde voorwerpen die per ongeluk door de grasmaaier in alle richtingen weggeslingerd kunnen worden en niet alleen ernstig persoonlijk letsel voor de gebruiker of anderen, maar ook schade aan eigendommen en voorwerpen in de buurt tot gevolg kunnen hebben. Maai geen nat gras. Mulchmaaien gaat het best als het gras niet nat is omdat het anders aan de onderkant van het maaidek gaat plakken en daardoor het mulchen van het maaisel wordt gehinderd. Maai niet meer dan 1/3 van de graslengte. Voor mulchen wordt aangeraden het gras 1/3 van de lengte korter te maaien. De voorwaartse snelheid moet

zodanig aangepast worden dat het vernipperde gras gelijkmatig over het gazon wordt verdeeld. Speciaal tijdens het zwaar maaien van dik gras kan het nodig zijn om de laagste snelheid te gebruiken om de grassprietten schoon en goed te vernippen. Als het gras langer is kunt u het gazon in twee fasen mulchmaaien door de maaihoogte nog een keer met 1/3 van de graslengte te verlagen en misschien in een andere richting te maaien dan de eerste keer.

Door toepassing van een kleine overlapping op elk maai-pad kunt u de eventueel op het gazon achtergebleven grassprietten opruimen. De motor moet altijd op het hoogste toerental draaien voor het beste maairesultaat en waardoor het beste mulchresultaat wordt bereikt. Maak de onderkant van het maaidek schoon.

Zorg dat de onderkant van het maaidek na elk gebruik wordt schoongemaakt om ophoping van grasresten te voorkomen waardoor een goed mulchresultaat wordt gehinderd. Bladeren mulchen. Het mulchen van bladeren kan uw gazon ten goede komen. Als u bladeren gaat mulchen moet u zorgen dat ze droog zijn en niet in een dikke laag op het gazon liggen. Wacht niet tot alle bladeren van de bomen zijn gevallen voordat u gaat mulchen.



**WAARSCHUWING:** Schakel de motor uit na het raken van een vreemd voorwerp. Maak de bougiekabel los, controleer de grasmaaier grondig op beschadigingen en herstel de beschadiging voordat u de grasmaaier opnieuw gaat starten en gebruiken. Buitensporige trillingen in de grasmaaier kunnen op een beschadiging duiden. De grasmaaier moet onmiddellijk worden nagekeken en gerepareerd.

## 8-7 GRASOPVANGZAK

Maak de grasopvangzak leeg en schoon en zorg dat door het gaaswerk lucht kan passeren. (zie afb. 22)

## 8-8 MAAIDEK

De onderkant van het maaidek moet na elk gebruik worden schoongemaakt om ophoping van grasresten, bladeren, vuil of anders te voorkomen. Als dit vuil kan ophopen, krijgen roest en corrosie vrij baan en zal goed mulchen niet mogelijk zijn. Het maaidek kan schoongemaakt worden door de grasmaaier te kantelen en schoon te schrapen met een toepasselijk gereedschap (zorg dat de bougiekabel is losgemaakt).

## 8-9 MAAIHOOGTEREGELING



**LET OP:** Verander in geen geval een instelling aan de grasmaaier zonder eerst de motor uit te schakelen en de bougiekabel los te maken.



**LET OP:** Voordat u de maaihoogte verandert moet u eerst de motor uitschakelen en de bougiekabel losmaken.

Uw grasmaaier heeft een centrale maaihoogteregeling met 5 hoogtestanden.

1. Schakel de grasmaaier uit en maak de bougiekabel los voordat u de maaihoogte verandert.
2. De centrale maaihoogteregeling heeft 5 verschillende hoogtestanden.

3. De maaihoogte verandert u door de regelhefboom naar het wiel te duwen en omhoog of omlaag te verplaatsen naar de gewenste maaihoogtestand. (zie afb. 23) Alle wielen staan ingesteld op dezelfde maaihoogte.

## 9. ONDERHOUD

### BOUGIE

Gebruik voor vervanging alleen originele bougies. Het beste is om de bougie na 100 gebruiksuren te vervangen. (raadpleeg de GEBRUIKSAANWIJZING VOOR DE MOTOR)

### 10. SMERING



**LET OP:** MAAK DE BOUGIEKABEL LOS VOORDAT U ONDERHOUDSWERKZAAMHEDEN GAAT UITVOEREN.

1. WIELEN - Smeer de kogellagers in elk wiel minstens een keer per seizoen met lichte olie.
2. MOTOR - Volg de aanwijzingen voor het smeren in de gebruiksaanwijzing voor de motor op.
3. STOPHANDGREEP - Smeer de draaipunten van de stophandgreep en de stopkabel minstens een keer per seizoen met lichte olie. De stophandgreep moet ongehinderd heen en weer kunnen bewegen.

## 11. SCHOONMAKEN



**LET OP:** Spuit geen water op de motor. Water kan schade toebrengen aan de motor en het brandstofsysteem verontreinigen.

1. Veeg het maaidek schoon met een droge doek.
2. Spuit de onderkant van het maaidek schoon nadat de grasmaaier zodanig is gekanteld dat de bougie naar boven is gericht.

### 11-1 MOTORLUCHTFILTER



**LET OP:** Zorg dat vuil of stof het schuimrubberen filterelement niet kan verstopen.

Het motorluchtfilterelement moet worden onderhouden (schoongemaakt) na 25 uur normaal maaien. Het schuimrubberen filterelement moet regelmatig schoongemaakt worden wanneer de grasmaaier onder droge en stoffige omstandigheden wordt gebruikt. (raadpleeg de GEBRUIKSAANWIJZING VOOR DE MOTOR)

### LUCHTFILTER SCHOONMAKEN

1. Verwijder de schroef.
2. Verwijder de beschermkap.
3. Was het filterelement met water en zeep. **GEBRUIK GEEN BENZINE!**
4. Droog het element in de open lucht.
5. Plaats een paar druppels SAE30-olie op het schuimrubberen filterelement en knijp het stevig samen om overtollige olie te verwijderen.
6. Plaats het filter terug.



**OPMERKING:** Vervang het filter als het is gerafeld, gescheurd en beschadigd of het niet meer kan worden schoongemaakt. (zie afb. 24)

## 11-2 MAAIMES



**LET OP:** Maak de bougiekabel los en aard deze voordat u aan het maaimes gaat werken om per ongeluk starten te voorkomen. Bescherm uw handen door werkhandschoenen te dragen of een doek te gebruiken als u het maaimes vastpakt. Kantel de grasmaaier zoals aangegeven in de aparte gebruiksaanwijzing voor de motor. Verwijder de zeskantbout en ring waarmee het maaimes en bijbehorende adapter op de uitgaande as van de motor zijn bevestigd. Verwijder het maaimes en de adapter vanaf de uitgaande as van de motor.



**WAARSCHUWING:** Controleer regelmatig de maaimesadapter op scheuren, vooral na het raken van een vreemd voorwerp. Vervang indien nodig. Voor het beste resultaat moet het maaimes scherp zijn. Het maaimes kan weer scherp worden gemaakt door het te verwijderen en de snijkant te slijpen of te vijlen, waarbij de originele snijscherm zo goed mogelijk gehandhaafd moet blijven. Het is uitermate belangrijk dat elke snijkant evenveel wordt geslepen om te voorkomen dat het maaimes in onbalans raakt. Een onjuiste balans van het maaimes veroorzaakt sterke trillingen dat weer kan leiden tot eventuele schade aan de motor en grasmaaier. Zorg dat het maaimes zorgvuldig uitgebalanceerd wordt na het slijpen. De balans van het maaimes kan worden gecontroleerd door het op de ronde steel van een schroevendraaier te balanceren. Verwijder een beetje materiaal van het zwaardere gedeelte totdat de balans weer is hersteld. (zie afb. 25)

Voordat het maaimes en de adapter weer op de grasmaaier gemonteerd worden, smeert u de uitgaande as van de motor en de binnenkant van de maaimesadapter met een lichte olie. Monteer de maaimesadapter op de uitgaande as van de motor met de "ster" in de richting afgekeerd van de motor. (zie afb. 25)

Monteer het maaimes met het onderdeelnummer afgekeerd van de adapter. Leg de ring op juiste wijze op het maaimes en steek de zeskantbout erdoor. Draai de zeskantbout vast met een draaikoppel, zoals hieronder aangegeven.

## 11-3 DRAAIKOPPEL VOOR MAAIMES

De centrale bout moet worden aangedraaid met een draaikoppel van 35 tot 45 Nm. Om veilig gebruik van uw grasmaaier zeker te stellen. Alle moeren en bouten moeten regelmatig nagekeken worden of ze nog goed vastzitten. Na langdurig gebruik, vooral op ondergronden met veel zand, zal het maaimes slijten en zijn oorspronkelijke vorm verliezen. Het maaimes gaat steeds slechter en het maaimes moet worden vervangen. Vervang het alleen met een origineel MAKITA- vervangingsonderdeel. De fabrikant is niet verantwoordelijk voor eventuele schade die veroorzaakt wordt door de onbalans van het maaimes. Bij vervanging van het maaimes moet u gebruikmaken een origineel vervangingsonderdeel waarvan het nummer is aangegeven op het maaimes (MAKITA 263001451) (het maaimes kunt u bestellen bij uw plaatselijke dealer of door telefonisch contact op te nemen met ons bedrijf).



**WAARSCHUWING:** Raak het draaiende maaimes niet aan.

## 11-4 MOTOR

Raadpleeg de aparte gebruiksaanwijzing voor de motor voor aanwijzingen met betrekking tot motoronderhoud. Behandel de motorolie zoals aangegeven in de aparte gebruiksaanwijzing voor de motor dat bij de grasmaaier is geleverd.

Lees en volg de instructies zorgvuldig. Onderhoud onder normale omstandigheden het luchtfilter zoals aangegeven in de aparte gebruiksaanwijzing voor de motor. Bij zeer stoffige omstandigheden moet het steeds na enkele uren schoongemaakt worden. Slechte motorprestaties en het verzuipen van de motor zijn meestal aanwijzingen dat het luchtfilter onderhouden moet worden.

Raadpleeg de aparte gebruiksaanwijzing voor de motor die bij de grasmaaier is geleverd, voor het onderhoud van het luchtfilter.

Een keer per seizoen moet de bougie worden schoongemaakt en de elektrodenafstand opnieuw worden ingesteld. Het wordt aangeraden om aan het begin van elk maaiseizoen de bougie te vervangen. Raadpleeg de aparte gebruiksaanwijzing voor de motor voor het juiste bougietype en specificatie van de elektrodenafstand. Maak de motor regelmatig schoon met een doek of borstel. Houd het koelsysteem (ventilatorbehuizing) schoon om een goede luchtcirculatie te realiseren die essentieel is voor het vermogen en de levensduur van de motor. Zorg dat al het gras, vuil en brandbare rommel rondom de geluiddemper is verwijderd.

## 12. OPBERGEN (BUITEN HET SEIZOEN)

De volgende stappen moet u nemen om de grasmaaier voor te bereiden om hem op te bergen.

1. Na de laatste maaibeurt van het seizoen, moet u de motor laten draaien totdat de brandstoftank leeg is.
2. Maak de motor schoon en geef deze een smerbeurt zoals aangegeven in de aanwijzingen voor smering.
3. Raadpleeg de gebruiksaanwijzing voor de motor voor de juiste aanwijzingen voor het opbergen van de motor.
4. Vet het maaimes van de grasmaaier licht in met chassismet om roest te weren.
5. Berg de grasmaaier op in een droge en schone ruimte.



**OPMERKING:**

- Bij opbergen van elk gereedschap met een verbrandingsmotor in een schuur die niet is geventileerd of waar materialen worden opgeslagen;
- Moet u zorgen dat het gereedschap tegen roest beschermd wordt. Smeer het gereedschap, met name de snoeren en alle bewegende delen, met een lichte olie of silicone.
- Pas op dat u de snoeren niet buigt of knikt.
- Als het startkoord is losgeschoten uit de koordgeleider op de handgreep, moet u de bougiekabel losmaken en aarden, de stophandgreep intrekken en het startkoord langzaam uit de motor trekken. Schuif het startkoord in de koordgeleider op de handgreep.

## 13. PROBLEEM OPLOSSEN

| PROBLEEM   | MOGELIJKE OORZAAK   | OPLOSSING   |
|--|---|---|
| Motor start niet.                                  | Gashendel staat in de huidige omstandigheden niet in de juiste stand.             | Gashendel in de juiste stand duwen.   |
|  | Brandstoftank is leeg.  | Vul de brandstoftank met brandstof: raadpleeg de GEBRUIKSAANWIJZING VOOR DE MOTOR.  |
|  | Luchtfilterelement is vuil.   | Luchtfilterelement schoonmaken: raadpleeg de GEBRUIKSAANWIJZING VOOR DE MOTOR.  |
|  | Bougie zit los.   | Bougie met een draaikoppel van 25 tot 30 Nm vastdraaien.  |
|  | Bougiekabel zit los of is losgeraakt van de bougie.                               | Bougiekabel op de bougie bevestigen.  |
|  | Elektrodenafstand van de bougie is niet correct.                                  | Elektrodenafstand op 0,7 tot 0,8 mm instellen.  |
|  | Bougie is defect.   | Nieuwe bougie met de juiste elektrodenafstand monteren: raadpleeg de GEBRUIKSAANWIJZING VOOR DE MOTOR.  |
|  | Carburateur is verzopen met benzine.  | Luchtfilterelement verwijderen, voortdurend aan het startkoord trekken totdat de carburateur leeg is en daarna een nieuw luchtfilterelement plaatsen. |
| Motor is moeilijk te starten of verliest vermogen. | Defecte ontstekingsmodule.  | Contact opnemen met een erkend Makita-servicecentrum.   |
|  | Vuil, water of oude brandstof in de brandstoftank.                                | Tap de brandstoftank af en reinig deze. Vul de brandstoftank met schone, nieuwe brandstof.  |
|  | Het ventilatiegatje in de brandstoftankdop zit verstopt.                          | Reinig of vervang de brandstoftankdop.  |
| Motor draait onregelmatig.                         | Luchtfilterelement is vuil.   | Luchtfilterelement schoonmaken.   |
|  | Bougie is defect.   | Nieuwe bougie met de juiste elektrodenafstand plaatsen: raadpleeg de GEBRUIKSAANWIJZING VOOR DE MOTOR.  |
|  | Elektrodenafstand van de bougie is niet correct.                                  | Elektrodenafstand op 0,7 tot 0,8 mm instellen.  |
| Motor draait slecht stationair.                    | Luchtfilterelement is vuil.   | Luchtfilterelement schoonmaken: raadpleeg de GEBRUIKSAANWIJZING VOOR DE MOTOR.  |
|  | Luchtsleuven in de motorafdekking zijn verstopt.                                  | Vuil uit de sleuven verwijderen.  |
|  | Koelribben en luchtwegen onder de ventilatorbehuizing van de motor zijn verstopt. | Vuil van de koelribben en luchtwegen verwijderen.   |
| Motor slaat over bij een hoog toerental.           | Afstand tussen elektroden van de bougie is te klein.                              | Elektrodenafstand op 0,7 tot 0,8 mm instellen.  |
| Oververhitte motor.                                | Koelluchtstroom geblokkeerd.  | Alle vuil uit de sleuven van de motorafdekking, ventilatorbehuizing en luchtwegen verwijderen.  |
|  | Bougie verkeerd.  | RJ19LMC-bougie en koelribben op de motor monteren.  |
| Grasmaaier trilt buitensporig.                     | Maimes zit los.   | Maimes vastzetten.  |
|  | Maimes is in onbalans.  | Maimes uitbalanceren.   |

## 14. MILIEU

Wanneer uw gereedschap na langdurig gebruik vervangen moet worden, moet u het niet bij het huisvuil zetten, maar moet u het op een milieuverantwoorde wijze verwerken.

**Alleen voor Europese landen**  
**EU-verklaring van conformiteit**  
**Wij, Makita Corporation, als de verantwoordelijke**  
**fabrikant, verklaren dat de volgende Makita-**  
**machine(s):**

Aanduiding van de machine: Grasmaaier met  
benzinemotor

Modelnr./Type: PLM4621 en PLM4622

Technische gegevens: Zie "4. Technische gegevens"  
in serie zijn geproduceerd en

**Voldoen aan de volgende Europese richtlijnen:**

2006/42/EC, 2004/108/EC,  
2000/14/EC en 2005/88/EC

En zijn gefabriceerd in overeenstemming met de  
volgende normen of genormaliseerde documenten:

EN836 en EN ISO14982

De technische documentatie wordt bewaard door onze  
erkende vertegenwoordiger in Europa, te weten:

Makita International Europe Ltd.,  
Michigan Drive, Tongwell,  
Milton Keynes, MK15 8JD, Engeland

De conformiteitsbeoordelingsprocedure vereist door  
Richtlijn 2000/14/EC was is Overeenstemming met annex  
VI.

Officiële instantie:

TÜV SÜD Industrie Service GmbH  
Westendstraße 199, D-80686 München  
Identificatienummer: 0036

Model PLM4621

Gemeten geluidsvermogeniveau: 93,1 dB  
Gegarandeerd geluidsvermogeniveau: 96 dB

Model PLM4622

Gemeten geluidsvermogeniveau: 92,3 dB  
Gegarandeerd geluidsvermogeniveau: 96 dB

11. 11. 2011



Tomoyasu Kato  
Directeur  
Makita Corporation  
3-11-8, Sumiyoshi-cho,  
Anjo, Aichi, JAPAN

## Explicación de los dibujos

- |                                       |                                |                                    |
|---------------------------------------|--------------------------------|------------------------------------|
| 1. Mango superior                     | 6. Guía de la cuerda           | 12. Tapa de aceite                 |
| 2. Mango de control de detención      | 7. Saco para el pasto          | 13. Acoplamiento del cable         |
| 3. Mango de control de autopropulsión | 8. Palanca de ajuste de altura | 14. Pomo de bloqueo                |
| 4. Palanca de velocidad del motor     | 9. Cubierta                    | 15. Palanca de ajuste de velocidad |
| 5. Mango del motor de arranque        | 10. Bujía                      |                                    |
|                                       | 11. Tapa de combustible        |                                    |



### ADVERTENCIA

Por su propia seguridad, lea este manual antes de intentar usar la nueva unidad. Si no sigue las instrucciones puede sufrir graves lesiones personales. Dedique unos momentos a familiarizarse con la cortadora de pasto antes de cada uso.

## 1. SÍMBOLOS MARCADOS EN EL PRODUCTO



Lea el manual del operario.



Mantenga alejadas a las personas circundantes.



Preste más atención a las manos y los pies del operario para evitar lesiones.



Humos tóxicos; no la utilice en un espacio cerrado.



El combustible es inflamable, manténgalo alejado del fuego. No añada combustible con la máquina en funcionamiento.



Cuando corte, utilice gafas y tapones para los oídos para protegerse.



Durante las reparaciones, retire la bujía y realice las reparaciones de acuerdo con el manual de operaciones.



Precaución: Motor caliente.



Suelte el mango del interruptor para detener el motor.



Agarre el mango de control de autopropulsión para avanzar.

## 2. NORMAS GENERALES DE SEGURIDAD



**ADVERTENCIA:** Cuando se utilicen herramientas a gasolina, siempre deben tomarse precauciones de seguridad para reducir el riesgo de lesiones personales graves y/o daños en la unidad. Lea todas las instrucciones antes de utilizar este producto y guárdelas para futuras consultas.



**ADVERTENCIA:** Esta máquina crea un campo electromagnético durante su funcionamiento. En ciertas circunstancias este campo puede interferir con implantes médicos activos o pasivos. Para reducir el riesgo de lesiones graves o fatales, se recomienda a las personas con implantes médicos que consulten con su doctor y el fabricante del implante médico antes de utilizar esta máquina.

### Formación

- Lea las instrucciones atentamente. Familiarícese con los controles y el uso correcto del equipo.
- Nunca deje que los niños o personas que no estén familiarizadas con estas instrucciones utilicen la cortadora de pasto. Las normas locales pueden restringir la edad del operario.
- Nunca corte pasto mientras haya cerca personas, especialmente niños, o animales.
- Tenga en cuenta que el operario o el usuario es responsable de los accidentes o situaciones de peligro que se produzcan para otras personas o su propiedad.

### Preparativos

- Mientras corte pasto, utilice calzado robusto y pantalones largos. No utilice el equipo cuando esté descalzo o calce sandalias abiertas.



- Inspeccione minuciosamente dónde se va a usar el equipo y retire todos los objetos que puedan salir despedidos de la máquina.
- **ADVERTENCIA-** La gasolina es muy inflamable.
  - almacene el combustible en contenedores diseñados específicamente para ese propósito;
  - reposte únicamente en exteriores y no fume durante el repostaje;
  - añada combustible antes de poner en marcha el motor. Nunca retire la tapa del depósito de combustible ni añada gasolina mientras el motor esté funcionando o cuando el motor esté caliente;
  - si se derrama gasolina, no intente poner en marcha el motor, aleje la máquina del área del derrame y no cree ninguna fuente de ignición hasta que se hayan disipado los vapores;
  - vuelva a colocar las tapas del depósito de combustible y del contenedor y fíjelas.
- Sustituya los silenciadores defectuosos.
- Antes del uso, inspeccione visualmente las cuchillas para asegurarse de que los pernos de la cuchilla o el conjunto del cortador no estén gastados o dañados. Sustituya los pernos y las cuchillas gastadas o dañadas en conjuntos para conservar el equilibrio.

## Funcionamiento

- No haga funcionar el motor en un espacio cerrado en el que se puedan acumular los peligrosos vapores de monóxido de carbono.
- Corte el pasto solamente de día o con una buena luz artificial.
- No utilice el equipo con pasto húmedo cuando sea posible.
- Asegúrese siempre de que mantiene un buen equilibrio en pendientes.
- Camine, nunca corra.
- Para máquinas giratorias con ruedas, corte pasto de un lado a otro, nunca arriba y abajo.
- Tenga el máximo cuidado cuando cambie de dirección en pendientes.
- No corte pasto en pendientes con una inclinación excesiva.
- Tenga el máximo cuidado cuando invierta la marcha o tire de la cortadora de pasto hacia usted.
- Detenga la cuchilla si la cortadora de pasto debe inclinarse para su transporte cuando cruce superficies que no sean pasto, y cuando la transporte desde y hacia el área en la que debe cortarse el pasto.
- Nunca utilice la cortadora de pasto con protecciones defectuosas o sin instalar dispositivos de seguridad, por ejemplo deflectores y/o recogedores de pasto.
- No cambie los ajustes del regulador del motor ni lo haga funcionar a un régimen demasiado elevado.
- Desembrague todos los engranajes del motor y las cuchillas antes de poner en marcha el motor.
- Ponga en marcha el motor con cuidado, de acuerdo con las instrucciones, y mantenga los pies alejados de las cuchillas.
- No incline la cortadora de pasto cuando ponga en marcha el motor.
- No ponga en marcha el motor cuando permanezca delante del transportador de salida.

- No coloque las manos o los pies cerca o debajo de las piezas que giran. Manténgase alojado de la abertura de salida en todo momento.
- Nunca alce o transporte la cortadora de pasto mientras el motor esté en funcionamiento.
- Detenga el motor y desconecte el cable de la bujía, asegúrese de que todas las partes en movimiento se hayan detenido por completo y retire la llave si la hay:
  - antes de despejar atascos o desbloquear el conducto de salida;
  - antes de comprobar, limpiar o trabajar en la cortadora de pasto;
  - después de golpear un objeto extraño. Compruebe si la cortadora de pasto está dañada y realice las reparaciones antes de volver a poner en marcha la cortadora de pasto y utilizarla;
  - si la cortadora de pasto empieza a vibrar de modo anómalo (compruébela inmediatamente).
- Detenga el motor y desconecte el cable de la bujía, asegúrese de que todas las partes en movimiento se hayan detenido por completo y retire la llave si la hay:
  - cuando deje la cortadora desatendida;
  - antes de repostar.
- Suelte el acelerador durante el apagado y, si el motor cuenta con una válvula de cierre, corte el combustible cuando acabe de cortar el pasto.
- Utilice la cortadora de pasto solamente con la finalidad para la que se diseñó, para cortar y recoger pasto. Cualquier otro uso puede ser peligroso y puede provocar daños a la máquina.

## Mantenimiento y almacenamiento

- Mantenga todas las tuercas, los pernos y los tornillos apretados para asegurarse de que el equipo está en un estado seguro de funcionamiento.
- Nunca almacene el equipo con gasolina en el depósito dentro de un edificio en el que los vapores puedan llegar a una llama o una chispa.
- Deje que el motor se enfríe antes de almacenarlo en cualquier contenedor.
- Para reducir el riesgo de incendio, mantenga el motor, el silenciador, el compartimento de la batería y el área de almacenamiento de gasolina libres de pasto, hojas o un exceso de grasa.
- Compruebe el recogedor de pasto frecuentemente en busca de desgastes o deterioros.
- Reemplace las piezas gastadas o dañadas por su seguridad.
- Si se debe purgar el depósito de combustible, debe realizarse al aire libre.



**ADVERTENCIA:** No toque la cuchilla en movimiento.



**ADVERTENCIA:** Reposte en un área bien ventilada con el motor apagado.

### 3. DESCRIPCIÓN DE LAS PIEZAS (Fig. 1 y 2)

#### Incluyendo

A: Llave para bujías

B: Cuña para mulching (acolchado)

### 4. DATOS TÉCNICOS

| Modelo                                    | PLM4621                    | PLM4622                     |
|---|----------------------------|-----------------------------|
| Tipo de motor                             | Serie B&S 650E, ReadyStart | Serie B&S 675EX, ReadyStart |
| Autopropulsado                            | Sí                         | Sí                          |
| Cilindrada del motor                      | 190 cc                     | 190 cc                      |
| Ancho de la cuchilla                      | 460 mm                     | 460 mm                      |
| Velocidad de ralentí                      | 2.800/min                  | 2.800/min                   |
| Capacidad del depósito lleno              | 1,0 L                      | 1,0 L                       |
| Capacidad del depósito de aceite          | 0,6 L                      | 0,6 L                       |
| Capacidad de la bolsa recogedora de pasto | 60 L                       | 60 L                        |
| Peso neto                                 | 33,8 kg                    | 35,4 kg                     |
| Ajuste de altura                          | 20-75 mm, 5 ajustes        | 20-75 mm, 5 ajustes         |
| Ruido conforme a EN836                    |                            |                             |
| Nivel de presión de sonido ( $L_{pA}$ ):  | 81,5 dB (A)                | 83,1 dB (A)                 |
| Nivel de potencia de sonido ( $L_{wA}$ ): | 93,1 dB (A)                | 92,3 dB (A)                 |
| Incertidumbre (K):                        | 2,41 dB (A)                | 2,75 dB (A)                 |
| Vibración conforme a EN836                |                            |                             |
| Emisión de vibraciones ( $a_{h1}$ ):      | 6,4 m/s <sup>2</sup>       | 7,5 m/s <sup>2</sup>        |
| Incertidumbre (K):                        | 1,5 m/s <sup>2</sup>       | 1,5 m/s <sup>2</sup>        |

### 5. MONTAJE

#### 5-1 MONTAJE DEL MANGO DE PLEGADO

- Fije los manillares inferiores al chasis de la unidad con los pomos de bloqueo tal y como se muestra. (Fig. 3, Fig. 4, Fig. 5, Fig. 6)
- Suelte los manillares superiores para el plegado. Conecte el mango superior y el mango inferior con el pomo de bloqueo. (Fig. 7, Fig. 8)
- Coloque todos los cables sobre los ejes del mango. Fíjelos alrededor de la parte media de los mangos inferiores mediante las abrazaderas de cables de forma que los cables queden fijados a la parte exterior de la máquina. De lo contrario, los cables pueden pinzarse al abrir o cerrar la cubierta posterior o bien pueden quedar forzados al plegar el mango superior. (Fig. 9)

#### 5-2 MONTAJE DEL RECOGEDOR DE PASTO

- Para montarlo: Levante la cubierta trasera y enganche el recogedor de pasto a la parte posterior del eje de la cortadora de pasto. (Fig. 10, Fig. 11)
- Para extraerlo: Sujete y levante la cubierta trasera y retire el recogedor de pasto.

#### 5-3 MANGO DEL MOTOR DE ARRANQUE

Mueva el mango del motor de arranque del motor a la guía de la cuerda. (Fig. 12, Fig. 13)

#### 5-4 ALTURA DE CORTE

Ejerza una presión hacia fuera para desenganchar la palanca del bastidor. Mueva la palanca hacia delante o hacia atrás para ajustar la altura. (Fig. 14 y punto 8-9)

### 6. AJUSTE DE UNA ALTURA ADECUADA

- Tire hacia atrás del pomo de bloqueo que fijaba el mango inferior, consulte la Fig. 15.
- Consulte la Fig. 16, suba y baje el mango inferior y ajústelo en la altura correcta.  
Se puede elegir entre 3 alturas de ajuste en este tipo de cortadora de pasto; en la altura 1, la separación entre el mango inferior y el suelo es la máxima, en la altura 3 es la mínima.
- Ajuste la altura correcta y fije el mango inferior mediante los pomos de bloqueo.



**ADVERTENCIA:** El lado izquierdo y el lado derecho del mango inferior se deben ajustar en la misma altura.

## 7. CORTADORA CON MULCHING

¿Qué es el mulching?

Cuando realice la operación de mulching, el pasto se cortará en un paso y después se triturará en fragmentos muy pequeños y se devolverá a la tira de pasto como fertilizante natural.

Consejos para el corte de pasto con mulching:

- Recorte normal con una altura máxima de pasto de 2 cm, 6 cm a 4 cm.
- Use una cuchilla de corte afilada.
- No corte pasto húmedo.
- Ajuste la velocidad de motor máxima.
- Desplácese solamente al paso de trabajo.
- Limpie regularmente la cuña para mulching, el lado interior del chasis y la cuchilla de corte de pasto.



**ADVERTENCIA:** Sólo con el motor detenido y la cortadora detenida por completo.

1. Levante la cubierta posterior y retire el recogedor de pasto;
2. Empuje la cuña de mulching hacia la cubierta. Bloquee la cuña de mulching con el botón en la apertura de la cubierta. (Fig. 17, Fig. 18)
3. Vuelva a bajar la cubierta posterior.

## 8. INSTRUCCIONES DE FUNCIONAMIENTO

### 8-1 ANTES DE EMPEZAR

Reposte gasolina y aceite en el motor tal y como se indica en el manual de instrucciones del motor que se incluye por separado con la cortadora de pasto. Lea las instrucciones atentamente.



**ADVERTENCIA:** La gasolina es muy inflamable.

Almacene el combustible en contenedores diseñados específicamente para ese propósito.

Reposte solamente al aire libre, antes de poner en marcha el motor y no fume mientras reposta o manipula el combustible.

Nunca retire la tapa del depósito de combustible ni añada gasolina mientras el motor está funcionando o cuando el motor esté caliente.

Si se derrama gasolina, no intente poner en marcha el motor, aleje la máquina del área del derrame y no cree ninguna fuente de ignición hasta que se hayan disipado los vapores.

Vuelva a colocar las tapas del depósito de combustible y del contenedor y fíjelas.

Antes de inclinar la cortadora de pasto para realizar el mantenimiento de la cuchilla o drenar el aceite, retire el combustible del depósito.



**ADVERTENCIA:** Nunca rellene el depósito de combustible en un recinto cerrado, con el motor funcionando o cuando el motor no se haya dejado enfriar durante 15 minutos como mínimo tras su uso.

### 8-2 PARA PONER EN MARCHA EL MOTOR Y ENGRANAR LA CUCHILLA

1. La unidad está equipada con un capuchón de goma sobre el extremo de la bujía, asegúrese de que el bucle metálico del cable de la bujía (dentro del capuchón de goma) esté fijado firmemente en la punta metálica de la bujía.
2. Cuando ponga en marcha el motor, coloque la palanca de velocidad del motor en la posición "☁". Cuando ponga en marcha el motor en caliente y durante las operaciones, coloque la palanca de velocidad del motor en la posición "☁". (Fig. 19)
3. Colóquese detrás de la unidad, agarre el mango de control y sujételo contra el mango superior, como se muestra en la Fig. 20.
4. Sujete el mango del motor de arranque como se muestra en la Fig. 20 y tire de él rápidamente. Devuélvalo lentamente al perno de guía de la cuerda después de que el motor se haya puesto en marcha. Suelte el mango de control de detención para detener el motor y la cuchilla.



Ponga en marcha el motor con cuidado de acuerdo con las instrucciones y mantenga los pies alejados de la cuchilla.



No incline la cortadora de pasto cuando ponga en marcha el motor. Ponga en marcha la cortadora de pasto en una superficie plana, sin pasto alto ni obstáculos.



Mantenga las manos y los pies alejados de las partes giratorias. No ponga en marcha el motor cuando permanezca delante de la abertura de salida.

### 8-3 PROCEDIMIENTOS DE USO

Durante el uso, sujete firmemente el mango de control de detención con ambas manos.



**Nota:** Durante el uso, cuando se suelte el mango de control de detención, el motor se detendrá y, por lo tanto, se detendrá la cortadora de pasto.

### 8-4 PARA DETENER EL MOTOR



**PRECAUCIÓN:** La cuchilla sigue girando durante unos segundos después de apagar el motor.

1. Suelte el mango de control de detención para detener el motor y la cuchilla.
2. Desconecte y conecte a tierra el cable de la bujía tal y como se indica en el manual del motor para evitar la puesta en marcha accidental mientras el equipo está desatendido.

### 8-5 CONEXIÓN PARA EL MOVIMIENTO AUTOMÁTICO

**Para PLM4621**

Agarre el mango de control de autopropulsión, la cortadora de pasto avanzará automáticamente con una

velocidad aproximada de 1 m/s. Si suelta el mango del interruptor, el motor se detendrá.

#### Para PLM4622

La cortadora de pasto cuenta con un sistema de ajuste de velocidad con 3 ajustes de velocidad de 3,0 km/h a 4,5 km/h.

Los pasos de ajuste son:

1. Suelte el control de autopropulsión hasta que la cortadora de pasto no avance.
2. Ajuste la velocidad que desee.
3. Agarre el control de autopropulsión para continuar cortando el pasto. (Fig. 21)



**PRECAUCIÓN:** La cortadora de pasto se ha diseñado para cortar pasto normal de zonas residenciales de una altura no superior a 250 mm.

No intente cortar pasto inusualmente alto o pasto húmedo (p. ej. una zona de pastura) o montones de hojas secas. Se pueden acumular restos en el chasis de la cortadora de pasto o pueden entrar en contacto con la salida de gases del motor y provocar un riesgo de incendio.

### 8-6 PARA OBTENER LOS MEJORES RESULTADOS DURANTE LA OPERACIÓN DE MULCHING

Limpie el pasto de escombros. Asegúrese de que el pasto esté libre de piedras, palos, cables u otros objetos extraños que pudieran salir despedidos accidentalmente de la cortadora de pasto en cualquier dirección y que podrían provocar lesiones personales graves al operario y a terceros, así como a la propiedad y objetos circundantes. No corte pasto húmedo. Para lograr una operación de mulching eficaz, no corte pasto húmedo, ya que tiende a adherirse a la parte inferior de la cubierta, lo que impide una operación de mulching correcta del pasto cortado. No corte más de 1/3 de la longitud del pasto. El corte recomendado para la operación de mulching es de 1/3 de la longitud del pasto. La velocidad de desplazamiento se deberá ajustar para que el pasto cortado se disperse uniformemente sobre el terreno. Para los cortes especialmente pesados en pasto grueso, puede ser necesario usar una de las velocidades más lentas para obtener un corte con la operación de mulching bien realizada. Cuando realice la operación de mulching sobre pasto largo, quizás deba cortar el pasto en dos pasadas, bajando la cuchilla otro 1/3 de la longitud para el segundo corte y quizás deba cortar en un patrón diferente del que se utilizó por primera vez.

Un solapamiento ligero del corte en cada pasada también ayudará a eliminar los recortes de pasto compactados que hayan quedado en el pasto. La cortadora de pasto siempre se debe utilizar con el acelerador al máximo para obtener el mejor corte y permitir que se realice el trabajo de mulching más efectivo posible. Limpie la parte inferior de la cubierta.

Asegúrese de limpiar la parte inferior de la cubierta de corte después de cada uso para evitar la acumulación de pasto, que impediría una operación de mulching correcta. Mulching de hojas. La operación de mulching de hojas también puede ser beneficiosa para el pasto. Cuando realice la operación de mulching de hojas, asegúrese de que estén secas y que no estén apiladas a demasiada

altura sobre el pasto. No espere a que caigan todas las hojas de los árboles antes de realizar la operación de mulching.



**ADVERTENCIA:** Si golpea un objeto extraño, detenga el motor. Retire el cable de la bujía, inspeccione detenidamente la cortadora de pasto en busca de daños y repárelos antes de volver a poner en marcha y usar la cortadora de pasto. Una vibración importante de la cortadora de pasto durante el uso es un indicador de daños. La unidad debe inspeccionarse y repararse inmediatamente.

### 8-7 RECOGEDOR DE PASTO

Vacíe y limpie la bolsa. Asegúrese de que esté limpia y de que su rejilla esté ventilada. (Fig. 22)

### 8-8 CUBIERTA

La parte inferior de la cubierta de la cortadora de pasto debe limpiarse después de cada uso para evitar la acumulación de pasto cortado, hojas, suciedad u otras materias. Si se permite la acumulación de residuos, se favorecerá la aparición de óxido y la corrosión y se puede impedir la realización correcta de mulching. Para limpiar la cubierta incline la cortadora de pasto y rasque la suciedad con una herramienta adecuada (asegúrese de que el cable de la bujía esté desconectado).

### 8-9 INSTRUCCIONES DE AJUSTE DE ALTURA



**PRECAUCIÓN:** No realice nunca ningún ajuste a la cortadora de pasto sin detener el motor primero y desconectar el cable de la bujía.



**PRECAUCIÓN:** Antes de cambiar la altura de corte, detenga la cortadora y desconecte el cable de la bujía.

La cortadora de pasto está equipada con una palanca de ajuste de altura central que ofrece 5 posiciones de altura.

1. Detenga la cortadora de pasto y desconecte el cable de la bujía antes de cambiar la altura de corte de la cortadora.
2. La palanca central de ajuste de altura ofrece 5 posiciones de altura diferentes.
3. Para cambiar la altura de corte, apriete la palanca de ajuste hacia la rueda, subiendo o bajando hasta la altura seleccionada. (Fig. 23) Todas las ruedas deben estar a la misma altura de corte.

## 9. INSTRUCCIONES DE MANTENIMIENTO

### BUJÍA

Utilice solamente bujías de recambio originales. Para lograr los mejores resultados, sustituya la bujía cada 100 horas de uso. (consulte el MANUAL DEL PROPIETARIO DEL MOTOR)

## 10. INSTRUCCIONES DE LUBRICACIÓN



**PRECAUCIÓN:** DESCONECTE LA BUJÍA ANTES DE CUALQUIER TAREA DE MANTENIMIENTO.

1. RUEDAS-Lubrique los cojinetes de cada rueda, como mínimo una vez cada temporada, con un aceite ligero.
2. MOTOR-Siga las instrucciones de lubricación del manual del motor.
3. CONTROL DE LA CUCHILLA-Lubrique los puntos de giro del mango de control de la cuchilla y el cable del freno con aceite ligero como mínimo una vez cada temporada. El control de la cuchilla debe funcionar libremente en ambas direcciones.

## 11. LIMPIEZA



**PRECAUCIÓN:** No lave el motor con una manguera. El agua puede dañar el motor o contaminar el sistema de combustible.

1. Seque la cubierta con un paño seco.
2. Lave con una manguera debajo de la cubierta, inclinando la cortadora de forma que la bujía esté hacia arriba.

### 11-1 FILTRO DE AIRE DEL MOTOR



**PRECAUCIÓN:** No permita que el polvo o la suciedad obstruyan el elemento de espuma de filtro de aire.

El elemento de filtro de aire del motor debe revisarse (limpiarse) tras 25 horas de corte normal. El elemento de espuma debe revisarse regularmente si la cortadora se utiliza en condiciones de polvo en un ambiente seco. (consulte el MANUAL DEL PROPIETARIO DEL MOTOR)

### Para LIMPIAR EL FILTRO DEL AIRE

1. Retire el tornillo.
2. Retire la cubierta.
3. Lave el elemento de filtro con agua jabonosa. **¡NO UTILICE GASOLINA!**
4. Deje secar el elemento de filtro.
5. Ponga unas pocas gotas de aceite SAE30 en el filtro de espuma y apriételo bien para eliminar cualquier exceso de aceite.
6. Vuelva a instalar el filtro.



**NOTA:** Sustituya el filtro si está desgastado, rasgado, dañado o si no se puede limpiar. (Fig. 24)

### 11-2 CUCHILLA DE CORTE



**PRECAUCIÓN:** Asegúrese de desconectar el cable de la bujía y conectarlo a tierra antes de realizar trabajos en la cuchilla de corte para evitar la puesta en marcha accidental del motor. Proteja las manos

usando guantes gruesos o un trapo para agarrar las cuchillas de corte.

Incline la cortadora de pasto tal y como se indica en el manual del motor que se incluye por separado. Extraiga el perno hexagonal y la arandela que sujetan la cuchilla y el adaptador de la cuchilla al cigüeñal del motor. Retire la cuchilla y el adaptador del cigüeñal.



**ADVERTENCIA:** Inspeccione periódicamente el adaptador en busca de grietas, especialmente si ha golpeado un objeto extraño. Sustitúyalo cuando sea necesario.

Para lograr los mejores resultados, la cuchilla debe estar afilada. Para volver a afilar la cuchilla, quítela y afílela o límla manteniendo el borde de corte lo más parecido posible al bisel original. Es muy importante que cada borde de corte sea amolado por igual para evitar que la cuchilla esté desequilibrada. Un equilibrio incorrecto de la cuchilla provocará un exceso de vibración y daños al motor y la cortadora. Tenga cuidado de equilibrar la cuchilla tras volver a afilarla. Se puede probar el equilibrio de la cuchilla colocándola en equilibrio sobre el eje de un destornillador. Rebaje metal del lado pesado hasta que esté bien equilibrada. (Fig. 25)

Antes de volver a montar la cuchilla y el adaptador de cuchilla en la unidad, lubrique el cigüeñal del motor y la superficie interior del adaptador de la cuchilla con aceite ligero. Instale el adaptador de la cuchilla en el cigüeñal con la "estrella" alejada del motor. Consulte la Fig. 25. Coloque la cuchilla con el número de pieza en el lado opuesto al adaptador. Alinee la arandela con la cuchilla e inserte el perno hexagonal. Apriete el perno hexagonal con el par de apriete que se indica más abajo.

### 11-3 PAR DE APRIETE DE MONTAJE DE LA CUCHILLA

El perno central debe apretarse con un par de apriete de 35 - 45 Nm. Para garantizar un uso seguro de la unidad. Debe comprobarse el correcto apriete de TODAS las tuercas y TODOS los pernos. Tras un uso prolongado, especialmente en condiciones de suelo arenoso, la cuchilla se gastará y perderá parte del afilado original. La eficacia del corte se verá reducida y la cuchilla se deberá sustituir.

Sustitúyala únicamente con una cuchilla de recambio aprobada de fábrica. Los posibles daños resultantes del estado de desequilibrio de la cuchilla no son responsabilidad del fabricante.

Cuando cambie la cuchilla, debe usar el tipo original marcado en ella (MAKITA 263001451) (para realizar el pedido de una cuchilla, póngase en contacto con su distribuidor local o llame a nuestra compañía).



**ADVERTENCIA:** No toque la cuchilla en movimiento.

### 11-4 MOTOR

Consulte las instrucciones de mantenimiento del motor en el manual del motor que se proporciona por separado. Mantenga el aceite del motor tal y como se indica en el manual del motor que se incluye por separado con su unidad.

Lea y siga las instrucciones atentamente.

Realice un mantenimiento del filtro de aire de acuerdo con el manual del motor que se proporciona por separado, bajo condiciones normales. Límpielo cada pocas horas en condiciones de polvo extremo. Un mal rendimiento del motor y un ahogo del mismo suelen indicar que debería realizarse el mantenimiento del filtro del aire.

Para realizar el mantenimiento del filtro del aire, consulte el manual del motor que se proporciona con la unidad.

La bujía debe limpiarse y su holgura se debe reajustar una vez por temporada. Se recomienda sustituir la bujía al principio de cada temporada de corte de pasto; compruebe las especificaciones de holgura y el tipo correcto de bujía en el manual del motor.

Limpie el motor regularmente con un paño o un cepillo.

Mantenga el sistema de refrigeración (área de alojamiento del ventilador) limpio para permitir una correcta circulación del aire, que es esencial para el rendimiento y la duración del motor. Asegúrese de quitar todo el pasto, la suciedad y los restos de combustible del área del silenciador.

## 12. INSTRUCCIONES DE ALMACENAMIENTO (FUERA DE TEMPORADA)

Deben seguirse estos pasos para preparar la cortadora de pasto para su almacenamiento.

1. Después del último corte de la temporada, deje que el depósito de combustible se vacíe.
2. Limpie y lubrique la cortadora de pasto minuciosamente, tal y como se describe en las instrucciones de lubricación.
3. Consulte en el manual del motor las instrucciones de almacenamiento correcto del motor.
4. Recubra ligeramente la cuchilla de la cortadora de pasto con grasa para chasis para evitar la aparición de óxido.
5. Almacénela en un área limpia y seca.



### NOTA:

- Cuando almacene cualquier tipo de equipo con motor en un recinto sin ventilar o de almacenamiento de material;
- Debe tener cuidado de proteger el equipo contra el óxido. Recubra el equipo, especialmente los cables y las piezas móviles, con aceite ligero o silicona.
- Tenga cuidado de no doblar o rizar los cables.
- Si la cuerda del motor de arranque se desconecta de la guía de cuerda del mango, desconecte el cable de la bujía y conéctelo a tierra, suelte el mango de control de la cuchilla y tire de la cuerda del motor de arranque ligeramente para extraerla del motor. Deslice la cuerda del motor de arranque en el perno de guía de la cuerda del mango.

## 13. SOLUCIÓN DE PROBLEMAS

| PROBLEMA  | CAUSA PROBABLE  | ACCIÓN CORRECTORA   |
|---|---|---|
| El motor no se enciende.  | El tope del acelerador no está en la posición correcta para las condiciones predominantes.                          | Mueva el tope del acelerador a la posición correcta.  |
|   | El depósito de combustible está vacío.  | Llene el depósito con combustible: consulte el MANUAL DEL PROPIETARIO DEL MOTOR.  |
|   | El elemento de filtro de aire está sucio.   | Limpie el elemento de filtro de aire: consulte el MANUAL DEL PROPIETARIO DEL MOTOR.   |
|   | Bujía floja.  | Apriete la bujía a 25 - 30 Nm.  |
|   | Cable de la bujía flojo o desconectado de la bujía.   | Coloque el cable de la bujía en la bujía.   |
|   | La holgura de la bujía es incorrecta.   | Ajuste la holgura entre los electrodos entre 0,7 y 0,8 mm.  |
|   | La bujía es defectuosa.   | Instale una bujía nueva y con la holgura correcta: consulte el MANUAL DEL PROPIETARIO DEL MOTOR.                                      |
|   | El carburador está inundado de combustible.   | Retire el filtro de aire y tire de la correa del motor de arranque hasta que el carburador se limpie e instale el elemento de filtro. |
| El motor tiene dificultades para ponerse en marcha o pierde potencia. | Módulo de ignición defectuoso.  | Póngase en contacto con el servicio técnico autorizado de Makita.   |
|   | El contenido del depósito de combustible está sucio, tiene agua o está caducado.                                    | Drene el combustible y limpie el depósito. Llene el depósito con combustible nuevo y limpio.  |
|   | El orificio de ventilación del depósito de combustible está obstruido.  | Limpie o sustituya la tapa del depósito de combustible.   |
| El motor funciona de forma errática.                                  | El elemento de filtro de aire está sucio.   | Limpie el elemento de filtro de aire.   |
|   | La bujía es defectuosa.   | Instale una bujía nueva y con la holgura correcta: consulte el MANUAL DEL PROPIETARIO DEL MOTOR.                                      |
|   | La holgura de la bujía es incorrecta.   | Ajuste la holgura entre los electrodos entre 0,7 y 0,8 mm.  |
| Bajo ralentí del motor.   | El elemento de filtro de aire está sucio.   | Limpie el elemento de filtro de aire: consulte el MANUAL DEL PROPIETARIO DEL MOTOR.   |
|   | Las ranuras de aire del compartimento del motor están bloqueadas.   | Retire los residuos de las ranuras.   |
|   | Las aletas de ventilación y los conductos de aire debajo del alojamiento del ventilador del motor están bloqueados. | Retire los residuos de las aletas de ventilación y de los conductos de aire.  |
| El motor da sacudidas a alta velocidad.                               | La holgura entre los electrodos de la bujía es demasiado estrecha.  | Ajuste la holgura entre los electrodos entre 0,7 y 0,8 mm.  |
| El motor se recalienta.   | El flujo de aire de refrigeración está obstruido.   | Retire cualquier residuo de las ranuras del alojamiento del ventilador y los conductos de aire.                                       |
|   | Bujía incorrecta.   | Instale una bujía RJ19LMC y aletas de refrigeración en el motor.  |
| La cortadora vibra de forma anómala.                                  | El conjunto de corte está suelto.   | Apriete la cuchilla.  |
|   | El conjunto de corte está desequilibrado.   | Equilibre la cuchilla.  |

## 14. ENTORNO

Si la máquina debe sustituirse tras un uso extensivo, no la deseche con los residuos domésticos, sino de una forma segura para el medioambiente.

**Sólo para los países europeos**

**Declaración de conformidad de la CE**

**Nosotros, Makita Corporation, en calidad de fabricante responsable, declaramos que las siguientes máquinas Makita:**

Designación de la máquina: Cortadora de pasto con motor a gasolina

Nº de modelo/ Tipo: PLM4621, PLM4622

Especificaciones: Consulte "4. Datos técnicos" son de producción serie y

**Cumplen con las siguientes Directivas europeas:**

2006/42/CE, 2004/108/CE,

2000/14/CE y 2005/88/CE

Y se han fabricado de acuerdo con los siguientes estándares o documentos estandarizados:

EN836, EN ISO14982

La documentación técnica la conserva nuestro representante autorizado en Europa, que es:

Makita International Europe Ltd.,

Michigan, Drive, Tongwell,

Milton Keynes, MK15 8JD, Inglaterra

El procedimiento de evaluación de conformidad requerido por la Directiva 2000/14/EC se realizó de acuerdo con el anexo VI.

Organismo notificado:

TÜV SÜD Industrie Service GmbH

Westendstraße 199, D-80686 München

Número de identificación: 0036

Modelo PLM4621

Nivel de potencia sonora medido: 93,1 dB

Nivel de potencia sonora garantizado: 96 dB

Modelo PLM4622

Nivel de potencia sonora medido: 92,3 dB

Nivel de potencia sonora garantizado: 96 dB

11. 11. 2011



Tomoyasu Kato

Director

Makita Corporation

3-11-8, Sumiyoshi-cho,

Anjo, Aichi, JAPAN



## Descrição geral

- |  |                                    |   |
|--|------------------------------------|---|
| 1. Pega superior                         | 6. Guia do cabo                    | 12. Tampão de óleo                      |
| 2. Pega de controlo de paragem           | 7. Saco de relva                   | 13. Grampo do cabo                      |
| 3. Pega de controlo de avanço automático | 8. Alavanca de regulação da altura | 14. Manípulo de bloqueio                |
| 4. Alavanca velocidade motor             | 9. Carenagem                       | 15. Manípulo de regulação de velocidade |
| 5. Pega do motor de arranque             | 10. Vela de ignição                |   |
|  | 11. Tampão de combustível          |   |



### AVISO

Para a sua segurança, leia este manual antes de tentar operar a unidade nova. O incumprimento das instruções pode resultar em ferimentos pessoais graves. Familiarize-se com o corta-relva antes de cada utilização.

## 1. SÍMBOLOS MARCADOS NO PRODUTO



Leia o Manual de utilizador.



Mantenha as pessoas afastadas.



Preste mais atenção às mãos e pés do utilizador para evitar ferimentos.



Fumos tóxicos; Não utilizar dentro de casa.



O combustível é inflamável, mantenha-o afastado do fogo. Não abasteça combustível com a máquina em funcionamento.



Quando transportar, use os óculos e tampões para os ouvidos para proteger o próprio utilizador.



Quando reparar, retire a vela de ignição, de seguida, repare-a de acordo com o manual de operações.



Precaução: Motor quente.



Solte a pega do interruptor para desligar o motor.



Agarre na pega de comando do avanço automático para avançar.

## 2. REGRAS GERAIS DE SEGURANÇA



**AVISO:** Quando utilizar ferramentas a gasolina, devem ser sempre cumpridas as precauções de segurança básicas, incluindo as que se seguem, de forma a reduzir o risco de ferimentos pessoais graves e/ou danos na unidade. Leia todas as instruções antes de utilizar este produto e guarde estas instruções para referência futura.



**AVISO:** Esta máquina produz um campo electromagnético durante o funcionamento. Em certas circunstâncias, este campo pode interferir com implantes médicos activos ou passivos. Para reduzir o risco de ferimentos graves ou fatais, é aconselhável que as pessoas com implantes médicos consultem o seu médico e o fabricante do implante antes de utilizar esta máquina.

### Formação

- Leia atentamente as instruções. Familiarize-se com os controlos e a utilização adequada do equipamento.
- Nunca permita que crianças ou pessoas não familiarizadas com estas instruções utilizem o corta-relva. As regulamentações locais podem restringir a idade do operador.
- Nunca corte relva com pessoas, especialmente, crianças ou animais por perto.
- Lembre-se que o operador ou o utilizador é responsável pelos acidentes ou perigos que ocorrem a outras pessoas ou à sua propriedade.

### Preparação

- Durante o corte, use sempre calçado adequado e calças longas. Não utilize o equipamento descalço ou usando sandálias abertas.

- Inspeccione minuciosamente a área onde vai utilizar o equipamento e retire todos os objectos que podem ser projectados pela máquina.
- AVISO- A gasolina é altamente inflamável.
  - guarde o combustível em recipientes especificamente concebidos para esta finalidade;
  - apenas abasteça no exterior e não fume durante o abastecimento;
  - abasteça de combustível antes de ligar o motor. Nunca retire o tampão do depósito de combustível ou abasteça de combustível enquanto o motor está em funcionamento ou quando o motor está quente;
  - se a gasolina for derramada, não tente ligar o motor, afaste a máquina da área de derrame e evite criar qualquer fonte de ignição até os vapores de gasolina se dissiparem;
  - substitua com segurança todos os tampões de depósito de combustível e de recipientes.
- Substitua os silenciadores avariados.
- Antes de utilizar, inspeccione sempre visualmente para se certificar de que as lâminas, parafusos das lâminas e o conjunto do cortador não estão gastos ou danificados. Substitua as lâminas e parafusos gastos e danificados por conjuntos para preservar o equilíbrio.

## Funcionamento

- Não ligue o motor num espaço reduzido onde fumos de monóxido de carbono perigosos podem acumular-se.
- Corte a relva apenas durante o dia ou com uma boa luz artificial.
- Evite operar o equipamento na relva molhada, quando possível.
- Certifique-se de que tem sempre um bom apoio de pés nos declives.
- Caminhe, nunca corra.
- Para máquinas com rodas, corte a relva nos declives na transversal, nunca para cima e para baixo.
- Tenha muito cuidado quando mudar de direcção nos declives.
- Não corte a relva em declives com uma inclinação excessiva.
- Tenha muito cuidado quando recuar ou puxar o corta-relva na sua direcção.
- Pare a(s) lâmina(s) se o corta-relva tiver de ser inclinado para transporte quando atravessar superfícies que não relva e quando transportar o corta-relva de e para a área a cortar.
- Nunca opere o corta-relva com protecções defeituosas ou sem dispositivos de segurança, por exemplo, deflectores e/ou colectores de relva, em posição.
- Não altere as definições do regulador do motor nem utilize demasiadamente o motor.
- Desengrene todas as embraiagens da lâmina e da transmissão antes de ligar o motor.
- Ligue cuidadosamente o motor de acordo com as instruções e com os pés afastados da(s) lâmina(s).
- Não incline o corta-relva quando liga o motor.
- Não ligue o motor quando se encontrar em frente ao canal de escoamento.
- Não coloque as mãos ou os pés perto ou debaixo das peças rotativas. Mantenha-se sempre afastado da abertura de descarga.

- Nunca desloque ou transporte um corta-relva com o motor em funcionamento.
- Pare o motor e desligue o fio da vela de ignição, certifique-se de que todas as peças móveis pararam por completo e retire a chave do seu local:
  - antes de eliminar bloqueios ou desentupir o canal de escoamento;
  - antes de verificar, limpar ou efectuar reparações no corta-relva;
  - após bater num objecto estranho. Inspeccione o corta-relva por danos e efectue reparações antes de ligar e operar novamente o corta-relva;
  - se o corta-relva começar a vibrar de forma estranha (verifique imediatamente).
- Pare o motor e desligue o fio da vela de ignição, certifique-se de que todas as peças móveis pararam por completo e retire a chave do seu local:
  - sempre que abandonar o corta-relva;
  - antes de abastecer com combustível.
- Reduza a definição do acelerador durante a paragem do motor e, se o motor estiver equipado com uma válvula de corte, desligue o combustível no final do corte.
- Utilize apenas o corta-relva para a finalidade para a qual foi concebido, cortar e recolher relva. Qualquer outra finalidade pode ser perigosa, causando danos na máquina.

## Manutenção e armazenamento

- Mantenha todas as porcas e parafusos apertados para se certificar de que o equipamento se encontra em bom estado.
- Nunca guarde o equipamento com gasolina no depósito dentro de um edifício onde os fumos possam alcançar chamas livres ou faíscas.
- Aguarde que o motor arrefeça antes de guardar num local qualquer.
- Para reduzir os perigos de incêndio, mantenha a área de armazenamento do motor, silenciador, compartimento da bateria e gasolina isenta de relva, folhas ou massa lubrificante excessiva.
- Verifique frequentemente o colector de relva por desgaste e deterioração.
- Por razões de segurança, substitua as peças gastas ou danificadas.
- Se o depósito de combustível tiver de ser drenado, isto pode executado no exterior.



**AVISO:** Não toque na lâmina rotativa.



**AVISO:** Abasteça com combustível numa área bem ventilada com o motor desligado.

## 3. DESCRIÇÃO DAS PEÇAS (Fig. 1 e 2)

### Incluindo

- A: Chave de vela de ignição
- B: Barra de "mulching"

## 4. DADOS TÉCNICOS

| Modelo                                 | PLM4621                    | PLM4622                     |
|--|----------------------------|-----------------------------|
| Tipo de motor                          | Série B&S 650E, ReadyStart | Série B&S 675EX, ReadyStart |
| Auto-propulsor                         | Sim                        | Sim                         |
| Deslocamento do motor                  | 190 cc                     | 190 cc                      |
| Largura da lâmina                      | 460 mm                     | 460 mm                      |
| Velocidade do ralenti                  | 2.800/min                  | 2.800/min                   |
| Capacidade depósito combustível        | 1,0L                       | 1,0L                        |
| Capacidade do depósito de óleo         | 0,6L                       | 0,6L                        |
| Capacidade do saco de recolha de relva | 60L                        | 60L                         |
| Peso líquido                           | 33,8 kg                    | 35,4 kg                     |
| Regulação da altura                    | 20-75 mm, 5 regulações     | 20-75 mm, 5 regulações      |
| Ruído de acordo com EN836              |                            |                             |
| Nível de pressão sonora ( $L_{pA}$ ):  | 81,5 dB (A)                | 83,1 dB (A)                 |
| Nível de potência sonora ( $L_{WA}$ ): | 93,1 dB (A)                | 92,3 dB (A)                 |
| Incerteza (K):                         | 2,41 dB (A)                | 2,75 dB (A)                 |
| Vibração de acordo com EN836           |                            |                             |
| Emissão de vibração ( $a_h$ ):         | 6,4 m/s <sup>2</sup>       | 7,5 m/s <sup>2</sup>        |
| Incerteza (K):                         | 1,5 m/s <sup>2</sup>       | 1,5 m/s <sup>2</sup>        |

## 5. MONTAGEM

### 5-1 MONTAR A PEGA REBATÍVEL

- Fixe as barras de direcção inferiores no corpo da unidade com os manípulos de bloqueio, conforme mostrado. (Fig. 3, Fig. 4, Fig. 5, Fig. 6)
- Solte as barras superiores para rebater. Ligue a pega superior e a pega inferior com o manípulo de bloqueio. (Fig. 7, Fig. 8)
- Posicione todos os cabos sobre os veios da pega. Fixe-os em torno do centro das pegas inferiores através dos grampos dos cabos de modo a que os cabos estejam fixos na parte exterior da máquina. Caso contrário, os cabos podem ser trilhados pela abertura/fecho da tampa traseira ou forçados devido ao rebatimento da pega superior. (Fig. 9)

### 5-2 MONTAR O COLECTOR DE RELVA

- Para instalar: Levante a tampa traseira e engate o colector de relva na veio parte traseira do corta-relva. (Fig. 10, Fig. 11)
- Para retirar: Agarre e levante a tampa traseira, retire o colector de relva.

### 5-3 PEGA DO MOTOR DE ARRANQUE

Desloque a pega do motor de arranque do motor para o guia do cabo. (Fig. 12, Fig. 13)

### 5-4 ALTURA DO CORTE

Aplique pressão para fora para desengatar a alavanca da armação. Desloque a alavanca para a frente ou para trás para ajustar a altura. (Fig. 14 e consulte a cláusula 8-9)

## 6. REGULAÇÃO PARA UMA ALTURA ADEQUADA

- Recue o manípulo de bloqueio que fixava a pega inferior, consulte a Fig. 15.

- Consulte a Fig. 16, desloque a pega inferior para cima e para baixo, ajuste-a à altura adequada. Existem 3 regulações de altura a escolher neste tipo de corta-relva; a altura 1, pega inferior para baixo é a mais alta, a altura 3 é a mais baixa.
- Ajustar à altura adequada, de seguida, fixe a pega inferior através dos manípulos de bloqueio.



**AVISO:** O lado esquerdo e direito da pega inferior têm de ser ajustados à mesma altura.

## 7. CORTA-RELVA “MULCHING”

O que é o “mulching”?

Quando fizer o “mulching”, a relva é cortada numa só passagem, de seguida, é cortada finamente e devolvida à faixa de relva como um fertilizante natural.

Conselhos para o corte “mulching”:

- Redução normal de 2 cm, no máximo, altura da relva de 6 cm para 4 cm.
- Utilize uma faca de corte afiada.
- Não corte relva molhada.
- Defina a velocidade máxima do motor.
- Desloque-se apenas ao ritmo de trabalho.
- Limpe regularmente a barra de “mulching”, lado interior da estrutura e lâmina de corte.



**AVISO:** Apenas com um motor desligado e cortador parado.

- Levante a tampa traseira e retire o colector de relva.
- Introduza a barra de “mulching” na carenagem. Bloquee a barra de “mulching” com o botão na abertura na carenagem. (Fig. 17, Fig. 18)
- Baixe novamente a tampa traseira.

## 8. INSTRUÇÕES DE FUNCIONAMENTO

### 8-1 ANTES DA UTILIZAÇÃO

Faça a manutenção do motor com gasolina e óleo conforme indicado no manual do motor separado e embalado com o corta-relva. Leia atentamente as instruções.



**AVISO:** A gasolina é altamente inflamável.

Guarde o combustível em recipientes especificamente concebidos para esta finalidade.

Apenas abasteça no exterior, antes de ligar o motor e não fume durante o abastecimento ou manuseamento de combustível.

Nunca retire o tampão do depósito de combustível ou abasteça de combustível enquanto o motor está em funcionamento ou quando o motor está quente.

Se a gasolina for derramada, não tente ligar o motor, afaste a máquina da área de derrame e evite criar qualquer fonte de ignição até os vapores de gasolina se dissiparem.

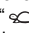
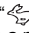
Substitua com segurança todos os tampões de depósitos de combustível e de recipientes.

Antes de virar o corta-relva para fazer a manutenção da lâmina ou drenar óleo, retire combustível do depósito.



**AVISO:** Nunca abasteça o depósito de combustível no interior, com o motor em funcionamento ou antes do motor ter arrefecido durante, no mínimo, 15 minutos após a utilização.

### 8-2 PARA LIGAR O MOTOR E ENGATE A LÂMINA

1. A unidade está equipada com uma tampa de borracha sobre a extremidade da vela de ignição, certifique-se de que o aro metálico na extremidade do fio da vela de ignição (no interior da tampa de borracha) está bem apertado na ponta de metal na vela de ignição.
2. Quando ligar um motor frio, rode a alavanca de velocidade do motor para a posição “”. Quando ligar um motor quente e utilizá-lo, rode a alavanca de velocidade do motor para a posição “”. (Fig. 19)
3. Coloque-se atrás da unidade, agarre a pega de controlo de paragem e segure-a contra a pega superior como mostrado na Fig. 20.
4. Agarre a pega do motor de arranque como mostrado Fig. 20 e puxe-a rapidamente para cima. Regresse-a lentamente ao parafuso do guia do cabo após o arranque do motor. Solte a pega de controlo de paragem para desligar o motor e a lâmina.



Ligue cuidadosamente o motor de acordo com as instruções e com os pés afastados da lâmina.



Não incline o corta-relva quando liga o motor. Ligue o corta-relva numa superfície nivelada, isenta de relva alta e obstáculos.



Afaste as mãos e os pés das peças em movimento. Não ligue o motor quando se encontrar em frente à abertura de descarga.

### 8-3 PROCEDIMENTOS DE FUNCIONAMENTO

Durante o funcionamento, segure bem a pega de controlo de paragem com ambas as mãos.



**Nota:** Durante o funcionamento, quando a pega de controlo de paragem é solta, o motor irá desligar-se fazendo com que o corta-relva pare de funcionar.

### 8-4 PARA DESLIGAR O MOTOR



**PRECAUÇÃO:** A lâmina continua a rodar durante alguns segundos após o motor ser desligado.

1. Solte a pega de controlo de paragem para desligar o motor e a lâmina.
2. Desligue e ligue o fio da vela de ignição à terra conforme indicado no manual do motor separado para evitar arranques acidentais quando o equipamento não é supervisionado.

### 8-5 LIGAÇÃO PARA DESLOCAÇÃO AUTOMÁTICA

#### Para PLM4621

Agarre a pega de controlo de avanço automático, o corta-relva irá deslocar-se automaticamente para a frente com cerca de 1 m/s, solte a pega de avanço automático, o corta-relva irá parar.

#### Para PLM4622

O corta-relva está equipado com um sistema de regulação da velocidade que pode regular 3 velocidade de 3,0 km/h a 4,5 km/h.

Execute o seguinte:

1. Solte a pega de controlo de avanço automático até o corta-relva não avançar.
2. Regule a velocidade adequada que pretende.
3. Agarre a pega de controlo de avanço automático para continuar a cortar a relva. (Fig. 21)



**PRECAUÇÃO:** O seu corta-relva destina-se a cortar relva normal com uma altura inferior a 250 mm. Não tente cortar relva invulgarmente alta ou molhada (por exemplo, pastagens) ou pilhas de folhas secas. Os detritos podem acumular-se na carenagem do corta-relva ou entrar em contacto com o sistema de escape do motor, resultando num potencial risco de incêndio.

### 8-6 PARA OBTER OS MELHORES RESULTADOS AO EFECTUAR O “MULCHING”

Elimine os detritos da relva. Certifique-se de que a relva está isenta de pedras, paus, cabos ou outros objectos estranhos que podem ser acidentalmente projectados pelo corta-relva, em qualquer direcção, e causar ferimentos pessoais graves no utilizador e outras pessoas, assim como danos na propriedade e nos objectos envolventes. Não corte relva molhada. Para um “mulching” eficaz, não corte relva molhada porque esta tende a aderir ao lado inferior da carenagem, evitando um “mulching” adequado das aparas da relva. Não corte mais do que 1/3 do comprimento da relva.

O corte recomendado para o "mulching" é 1/3 do comprimento da relva. A velocidade terá de ser ajustada para que as aparas possam ser dispersas uniformemente na relva. Para um corte particularmente duro na relva espessa, pode ser necessário usar uma das velocidades mais lentas de modo a obter um corte "mulching" bem efectuado. Quando efectuar o "mulching" na relva longa, pode ter que cortar a relva em duas passagens, baixando a lâmina mais 1/3 do comprimento para o segundo corte e talvez cortando num padrão diferente do padrão utilizado pela primeira vez.

Sobrepôr um pouco o corte em cada passagem fará com que tenha de limpar quaisquer aparas na relva. O corta-relva deve ser sempre utilizado à velocidade máxima para obter o melhor corte e permitir a realização de um "mulching" mais eficaz. Limpe a parte inferior da carenagem.

Certifique-se de que limpa a parte inferior da carenagem de corte após cada utilização para evitar uma acumulação de relva, o que resultaria num mau "mulching". Efectuar o "mulching" nas folhas. O "mulching" de folhas também pode ser benéfico para a sua relva. Quando efectuar o "mulching" nas folhas, certifique-se de que estas estão secas e não são demasiado espessas. Não aguarde que todas as folhas caiam das árvores antes de efectuar o "mulching".



**AVISO:** Se colidir contra um objecto estranho, desligue o motor. Retire o fio da vela de ignição, inspeccione minuciosamente o corta-relva por quaisquer danos e repare os danos antes de reiniciar e utilizar o corta-relva. A vibração excessiva do corta-relva durante o funcionamento é uma indicação de danos. A unidade deve ser inspeccionada e reparada imediatamente.

## 8-7 COLECTOR DE RELVA

Esvazie e limpe o saco, certifique-se de que está limpo e de que a rede está ventilada. (Fig. 22)

## 8-8 CARENAGEM

A parte inferior da carenagem do corta-relva deve ser limpa após cada utilização para evitar uma acumulação de aparas de relva, folhas, sujidade ou outras substâncias. Se permitir a acumulação destes detritos, irá provocar ferrugem e corrosão e pode impedir a realização de um "mulching" adequado. A carenagem pode ser limpa inclinando o corta-relva e raspando com uma ferramenta adequada (certifique-se de que o fio da vela de ignição está desligado).

## 8-9 INSTRUÇÕES PARA REGULAÇÃO DA ALTURA



**PRECAUÇÃO:** Não efectue, de modo algum, quaisquer regulações no corta-relva sem primeiro desligar o motor e o fio da vela de ignição.



**PRECAUÇÃO:** Antes de alterar a altura de corte, desligue o corta-relva e o cabo da vela de ignição. O corta-relva está equipado com uma alavanca central de regulação da altura que oferece 5 posições de altura.

1. Desligue o corta-relva e o cabo da vela de ignição antes de alterar a altura de corte do corta-relva.

2. A alavanca central de regulação da altura oferece-lhe 5 posições de altura diferentes.
3. Para alterar a altura de corte, aperte a alavanca reguladora na direcção da roda, deslocando para cima ou para baixo para a altura pretendida (Fig. 23). Todas as rodas estarão à mesma altura de corte.

## 9. INSTRUÇÕES DE MANUTENÇÃO

### VELA DE IGNIÇÃO

Utilize apenas velas de ignição de reposição originais. Para obter os melhores resultados, substitua a vela de ignição a cada 100 horas de utilização. (consulte MANUAL DO PROPRIETÁRIO DO MOTOR)

## 10. INSTRUÇÕES DE LUBRIFICAÇÃO



**PRECAUÇÃO:** DESLIGUE A VELA DE IGNIÇÃO ANTES DA MANUTENÇÃO.

1. RODAS - Lubrifique os rolamentos de esferas em cada roda, no mínimo, uma vez por época com um óleo leve.
2. MOTOR - Siga o manual do motor para as instruções de lubrificação.
3. CONTROLO LÂMINA - Lubrifique os pontos de base na pega de controlo da lâmina e no cabo do travão, no mínimo, uma vez por época com óleo leve. O controlo da lâmina tem de operar livremente em ambas as direcções.

## 11. LIMPEZA



**PRECAUÇÃO:** Não lave o motor com uma mangueira. A água pode danificar o motor ou contaminar o sistema de combustível.

1. Limpe a carenagem com um pano seco.
2. Lave com uma mangueira a parte inferior da carenagem inclinando o corta-relva de modo a que a vela de ignição esteja para cima.

### 11-1 FILTRO DE AR DO MOTOR



**PRECAUÇÃO:** Não permita que a sujidade ou o pó obstruam o elemento de espuma do filtro de ar.

O filtro de ar do motor tem de ser mantido (limpo) após 25 horas de corte normal. O elemento de espuma tem de ser limpo regularmente se o corta-relva for utilizado em condições poeirentas e secas. (consulte MANUAL DO PROPRIETÁRIO DO MOTOR)

### Para LIMPAR FILTRO DE AR

1. Retire o parafuso.
2. Retire a tampa.
3. Lave o filtro em água com sabão. **NÃO UTILIZE GASOLINA!**
4. Ventile o filtro até secar.
5. Coloque algumas gotas de óleo SAE30 no filtro de espuma e aperte bem para remover qualquer excesso de óleo.
6. Instale novamente o filtro.



**NOTA:** Substitua o filtro se estiver desgastado, rasgado, danificado ou impossível de limpar. (Fig. 24)

## 11-2 LÂMINA DE CORTE



**PRECAUÇÃO:** Certifique-se de que desliga e liga o fio da vela de ignição à terra antes de trabalhar na lâmina de corte para evitar arranques acidentais do motor. Proteja as mãos utilizando luvas robustas ou um pano para agarrar as lâminas de corte. Vire o corta-relva conforme especificado no manual do motor separado. Retire o parafuso e anilha sextavados que fixam a lâmina e o adaptador da lâmina à cambota do motor. Retire a lâmina e adaptador da cambota.



**AVISO:** Inspeccione periodicamente o adaptador da lâmina por fissuras, especialmente se chocar contra um objecto estranho. Substitua quando necessário. Para obter os melhores resultados, as lâminas devem estar afiadas. A lâmina pode ser afiada removendo-a e chanfrando ou limando a extremidade de corte mantendo o mais idêntico possível com o ângulo original. É extremamente importante que cada extremidade de corte receba uma quantidade igual de chanfragem para evitar uma lâmina irregular. Um lâmina irregular irá resultar na vibração excessiva causando eventuais danos no motor e no corta-relva. Certifique-se de que equilibra bem a lâmina após afiar. Pode testar o equilíbrio da lâmina equilibrando-a numa chave de fendas de eixo redondo. Retire metal do lado pesado até ficar equilibrada. (Fig. 25)

Antes de montar a lâmina e o adaptador da lâmina na unidade, lubrifique a cambota do motor e a superfície interior do adaptador da lâmina com óleo leve. Instale o adaptador da lâmina na cambota com a "estrela" afastada do motor. Consulte a Fig. 25. Coloque a lâmina com o número da peça na direcção oposta do adaptador. Alinhe a anilha sobre a lâmina e introduza o parafuso sextavado. Aperte o parafuso sextavado ao binário listado abaixo.

## 11-3 BINÁRIO DE MONTAGEM DA LÂMINA

O parafuso de centragem tem de ser apertado ao binário 35 - 45 Nm. Para garantir o funcionamento seguro da sua unidade. TODAS as porcas e parafusos têm de ser verificados periodicamente por um aperto correcto. Após a utilização prolongada, especialmente em condições de solo arenoso, a lâmina irá ficar desgastada e perder a forma original. A eficiência de corte irá diminuir e a lâmina deve ser substituída.

Substitua apenas por uma lâmina de reposição aprovada pela fábrica. Os possíveis danos resultantes do estado de desequilíbrio da lâmina não são da responsabilidade do fabricante.

Quando substitui a lâmina, tem de utilizar o tipo original marcado na lâmina (MAKITA 263001451) (para encomendar a lâmina, contacte o fornecedor local ou a nossa empresa).



**AVISO:** Não toque na lâmina rotativa.

## 11-4 MOTOR

Consulte o manual do motor separado para as instruções de manutenção do motor.

Faça a manutenção do óleo conforme indicado no manual do motor separado e embalado com a unidade. Leia atentamente e cumpra as instruções.

Faça a manutenção do filtro de ar conforme o manual do motor separado, sob condições normais. Limpe em intervalos de poucas horas sob condições extremamente poeirentas. Um desempenho fraco do motor e inundação indica, normalmente, que deve efectuar a manutenção do filtro de ar.

Para fazer a manutenção do filtro de ar, consulte o manual do motor separado e embalado com a unidade. A vela de ignição deve ser limpa e a folga calibrada uma vez por época. A substituição da vela de ignição é recomendada no início de cada época de corte; verifique o manual do motor para o tipo de vela e especificações de folga correctos.

Limpe o motor regularmente com um pano ou escova. Mantenha o sistema de arrefecimento (área da estrutura do ventilador) limpo para permitir uma circulação adequada do ar, que é essencial para o desempenho e vida útil do motor. Certifique-se de que retira toda a relva, sujidade e detritos de combustível da área do silenciador.

## 12. INSTRUÇÕES DE ARMAZENAMENTO (FORA DE ÉPOCA)

Os passos seguintes devem ser seguidos para preparar o corta-relva para armazenamento.

1. Após o corte final da época, deixe o motor em funcionamento até o depósito de combustível ficar sem combustível.
2. Limpe e lubrifique minuciosamente o corta-relva, conforme descrito nas instruções de lubrificação.
3. Consulte o manual do motor para as instruções correctas de armazenamento do motor.
4. Revista ligeiramente a lâmina de corte do corta-relva com massa lubrificante de chassis para evitar ferrugem.
5. Guarde o corta-relva numa área seca e limpa.



**NOTA:**

- Quando guardar qualquer tipo de equipamento eléctrico numa cabana não ventilada ou de armazenamento de material;
- Deve ter cuidado ao isolar o equipamento contra a ferrugem. Utilizando um óleo leve ou silicone, revista o equipamento, especialmente cabos e todas as peças móveis.
- Tenha cuidado para não dobrar ou torcer cabos.
- Se o cabo do motor de arranque se desligar do guia do cabo na pega, desligue e ligue o fio da vela de ignição à terra. Pressione a pega de controlo da lâmina e retire o cabo do motor de arranque do motor lentamente. Introduza o cabo do motor de arranque no parafuso do guia do cabo na pega.

## 13. RESOLUÇÃO DE PROBLEMAS

| PROBLEMA  | CAUSA PROVÁVEL   | ACÇÃO DE CORRECÇÃO  |
|---|--|---|
| O motor não arranca.                                | Manípulo do ar do acelerador na posição incorrecta para as condições predominantes.                    | Desloque o manípulo do ar do acelerador para a posição correcta.  |
|   | O depósito de combustível está vazio.  | Abasteça o depósito com combustível: consulte MANUAL DO PROPRIETÁRIO DO MOTOR.  |
|   | O filtro de ar está sujo.  | Limpe o filtro de ar: consulte MANUAL DO PROPRIETÁRIO DO MOTOR.   |
|   | Vela de ignição solta.   | Aperte a vela de ignição a 25 - 30 Nm.  |
|   | Fio da vela de ignição solto ou desligado da vela.   | Instale o fio da vela de ignição na vela de ignição.  |
|   | A folga da vela de ignição está incorrecta.  | Defina a folga entre os eléctrodos de 0,7 a 0,8 mm.   |
|   | Vela de ignição defeituosa.  | Instale uma vela nova com uma folga correcta. consulte MANUAL DO PROPRIETÁRIO DO MOTOR.   |
|   | O carburador está encharcado de combustível.   | Retire o filtro de ar e puxe o cabo do motor de arranque continuamente até o carburador se limpar autonomamente e instale o filtro de ar. |
| Dificuldade do motor em arrancar ou perde potência. | Módulo de ignição avariado.  | Contacte o centro de assistência autorizado da Makita.  |
|   | Sujidade, água ou depósito de combustível deteriorado.   | Purgue o combustível e limpe o depósito. Abasteça o depósito com combustível novo e limpo.  |
|   | O orifício de ventilação no tampão do depósito de combustível está obstruído.                          | Limpe ou substitua o tampão do depósito de combustível.   |
| O motor funciona irregularmente.                    | O filtro de ar está sujo.  | Limpe o filtro de ar.   |
|   | A vela de ignição está defeituosa.   | Instale uma vela nova com uma folga correcta. consulte MANUAL DO PROPRIETÁRIO DO MOTOR.   |
|   | A folga da vela de ignição está incorrecta.  | Defina a folga entre os eléctrodos de 0,7 a 0,8 mm.   |
| Fraco ralenti do motor.                             | O filtro de ar está sujo.  | Limpe o filtro de ar: consulte MANUAL DO PROPRIETÁRIO DO MOTOR.   |
|   | As ranhuras de ar na blindagem do motor estão obstruídas.  | Retire os detritos das ranhuras.  |
|   | As alhetas de arrefecimento e as passagens de ar na estrutura do ventilador do motor estão obstruídas. | Retire os detritos das alhetas de arrefecimento e das passagens de ar.  |
| O motor salta a alta velocidade.                    | A folga entre os eléctrodos da vela de ignição é demasiado próxima.                                    | Defina a folga entre os eléctrodos de 0,7 a 0,8 mm.   |
| O motor sobreaquece.                                | O caudal de ar de arrefecimento é limitado.  | Retire quaisquer detritos das ranhuras na blindagem, estrutura do ventilador e passagens de ar.   |
|   | Vela de ignição incorrecta.  | Instale a vela de ignição RJ19LMC e as alhetas de arrefecimento no motor.   |
| O corta-relva vibra anormalmente.                   | O conjunto de corte está solto.  | Aperte a lâmina.  |
|   | O conjunto de corte está desequilibrado.   | Equilibre a lâmina.   |

## 14. AMBIENTE

Caso a máquina necessite de ser substituída após utilização prolongada, não a coloque no lixo doméstico e elimine-a de forma segura para o ambiente.

**Apenas para os países europeus**  
**Declaração de conformidade CE**  
**A Makita Corporation, na qualidade do fabricante**  
**responsável, declara que a(s) máquina(s) Makita**  
**seguinte(s):**

Designação da máquina: Corta-relva a gasolina  
N.º de modelo/Tipo: PLM4621, PLM4622

Especificações: Consulte "4. Dados técnicos"  
são produzidas em série e

**estão em conformidade com as Directivas Europeias**  
**seguintes:**

2006/42/EC, 2004/108/EC,  
2000/14/EC e 2005/88/EC

E são fabricadas de acordo com as normas ou os  
documentos padronizados seguintes:

EN836, EN ISO14982

A documentação técnica é mantida pelo nosso  
representante autorizado na Europa, que é:

Makita International Europe Ltd.,  
Michigan, Drive, Tongwell,  
Milton Keynes, MK15 8JD, Inglaterra

O procedimento de avaliação da conformidade  
requisitado pela Directiva 2000/14/CE estava de acordo  
com o anexo VI.

Corpo notificado:

TÜV SÜD Industrie Service GmbH  
Westendstraße 199, D-80686 München  
Número de identificação: 0036

Modelo PLM4621

Nível de potência sonora medida: 93,1 dB

Nível de potência sonora garantida: 96 dB

Modelo PLM4622

Nível de potência sonora medida: 92,3 dB

Nível de potência sonora garantida: 96 dB

11. 11. 2011



Tomoyasu Kato  
Director  
Makita Corporation  
3-11-8, Sumiyoshi-cho,  
Anjo, Aichi, JAPAN



## Γενική περιγραφή

- |  |                          |                               |
|--|--------------------------|-------------------------------|
| 1. Πάνω λαβή                           | 6. Οδηγός σχοινού        | 12. Τάπα λαδιού               |
| 2. Χερούλι ελέγχου διακοπής            | 7. Σάκος γρασιδιού       | 13. Σφιγκτήρας καλωδίου       |
| 3. Χερούλι χειρισμού αυτόματης κίνησης | 8. Μοχλός ρύθμισης ύψους | 14. Κουμπί ασφάλισης          |
| 4. Μοχλός ταχύτητας κινητήρα           | 9. Πλατφόρμα             | 15. Μοχλός ρύθμισης ταχύτητας |
| 5. Χερούλι εκκινήτρια                  | 10. Μπουζί               |                               |
|  | 11. Τάπα καυσίμου        |                               |

**ΠΡΟΕΙΔΟΠΟΙΗΣΗ**

Για την δική σας ασφάλεια παρακαλώ διαβάστε αυτό το εγχειρίδιο πριν προσπαθήσετε να θέσετε σε λειτουργία την καινούργια σας συσκευή. Αν δεν ακολουθήσετε τις οδηγίες μπορεί να προκληθεί σοβαρός προσωπικός τραυματισμός. Αφιερώστε λίγο χρόνο για να εξοικειωθείτε με το χλοοκοπτικό πριν από την κάθε χρήση.

## 1. ΣΥΜΒΟΛΑ ΠΟΥ ΕΙΝΑΙ ΤΥΠΩΜΕΝΑ ΠΑΝΩ ΣΤΟ ΠΡΟΪΟΝ



Διαβάστε το εγχειρίδιο του χρήστη.



Κρατήστε μακριά τους παρευρισκόμενους.



Δώστε περισσότερη προσοχή στα χέρια και στα πόδια του χειριστή για να αποτρέψετε τον τραυματισμό.



Τοξικοί ατμοί. Μην το λειτουργείτε μέσα στο σπίτι.



Το καύσιμο είναι εύφλεκτο, κρατήστε μακριά τη φωτιά. Μην προσθέτετε καύσιμο όταν λειτουργεί το μηχάνημα.



Κατά την κοπή χόρτων, παρακαλώ φοράτε γυαλιά και ωτασπίδες για την προστασία του χειριστή.



Κατά την επισκευή, παρακαλώ βγάλτε το μπουζί και επισκευάστε σύμφωνα με το εγχειρίδιο οδηγιών.



Προσοχή: Ο κινητήρας είναι ζεστός.



Αφήστε το χερούλι διακοπής για να σταματήσετε τον κινητήρα.



Πιάστε το χερούλι ελέγχου αυτόματης κίνησης για την μετακίνηση προς τα εμπρός.

## 2. ΓΕΝΙΚΟΙ ΚΑΝΟΝΕΣ ΑΣΦΑΛΕΙΑΣ



**ΠΡΟΕΙΔΟΠΟΙΗΣΗ:** Όταν χρησιμοποιείτε βενζινοκίνητα εργαλεία, πάντοτε πρέπει να ακολουθείτε όλες τις βασικές προφυλάξεις για την ασφάλεια, περιλαμβανομένων αυτών που περιγράφονται στη συνέχεια, για να μειώσετε τον κίνδυνο προσωπικού τραυματισμού και/ή βλάβης της συσκευής. Διαβάστε όλες τις οδηγίες πριν τον χειρισμό αυτού του προϊόντος και κρατήστε τις για μελλοντική αναφορά.



**ΠΡΟΕΙΔΟΠΟΙΗΣΗ:** Το μηχάνημα αυτό παράγει ένα ηλεκτρομαγνητικό πεδίο κατά τη λειτουργία. Υπό ορισμένες συνθήκες αυτό το πεδίο μπορεί να προκαλέσει παρεμβολή σε ενεργά ή παθητικά εμφυτεύματα. Για την μείωση του κινδύνου του σοβαρού ή του θανατηφόρου τραυματισμού, συνιστούμε στα άτομα με ιατρικά εμφυτεύματα να συμβουλευτούν τον ιατρό τους και τον κατασκευαστή του ιατρικού εμφυτεύματος πριν από τον χειρισμό αυτού του μηχανήματος.

### Εκπαίδευση

- Διαβάστε προσεκτικά τις οδηγίες. Εξοικειωθείτε με τα χειριστήρια και την σωστή χρήση του μηχανήματος.
- Ποτέ μην επιτρέψετε την χρήση του χλοοκοπτικού από παιδιά ή από άτομα που δεν γνωρίζουν αυτές τις οδηγίες. Μπορεί να υπάρχει περιορισμός όσον αφορά την ηλικία του χρήστη από την τοπική νομοθεσία.
- Ποτέ να μην κόβετε το γρασίδι όταν βρίσκονται κοντά άλλα άτομα, ιδιαίτερα παιδιά ή κατοικίδια ζώα.
- Έχετε κατά νου ότι ο χρήστης ή ο χειριστής είναι υπεύθυνος για τα ατυχήματα ή τους κινδύνους που προκαλούνται στα άλλα άτομα ή στην ιδιοκτησία τους.

## Προετοιμασία

- Κατά την κοπή του γρασιδιού πάντοτε να φοράτε ενισχυμένα παπούτσια και μακριά παντελόνια. Μην χειρίζεστε το μηχάνημα όταν δεν φοράτε παπούτσια ή όταν φοράτε ανοικτά πέδιλα.
- Επιθεωρήστε σχολαστικά την περιοχή στην οποία θα χρησιμοποιηθεί η συσκευή και απομακρύνετε όλα τα αντικείμενα τα οποία μπορούν να εκσφενδονιστούν από το μηχάνημα.
- ΠΡΟΕΙΔΟΠΟΙΗΣΗ- Η βενζίνη είναι πάρα πολύ εύφλεκτη.
  - αποθηκεύστε το καύσιμο σε δοχεία που είναι ειδικά σχεδιασμένα για αυτό το σκοπό;
  - ανεφοδιάστε σε εξωτερικό χώρο και να μην καπνίζετε κατά την διάρκεια του ανεφοδιασμού;
  - προσθέστε καύσιμο πριν την εκκίνηση του κινητήρα. Ποτέ να μην αφαιρέσετε την τάπα του ρεζερβουάρ καυσίμου ή να προσθέσετε βενζίνη καθώς ο κινητήρας λειτουργεί ή όταν ο κινητήρας είναι ζεστός;
  - εάν η βενζίνη χυθεί κάτω μην προσπαθήσετε να ξεκινήσετε τον κινητήρα αλλά μετακινήστε το μηχάνημα μακριά από την περιοχή αυτή και αποσύρτε να δημιουργήσετε την οποιαδήποτε πηγή ανάφλεξης έως ότου εξαλειφθούν οι ατμοί της βενζίνης;
  - επανατοποθετήστε καλά όλες τις τάπες του ρεζερβουάρ καυσίμου και των δοχείων.
- Αντικαταστήστε όλους τους σιγαστήρες που έχουν υποστεί βλάβη.
- Πριν από την χρήση, πάντοτε να κάνετε μια οπτική επιθεώρηση για να δείτε ότι δεν έχουν φθαρεί ή έχουν πάθει βλάβη οι λάμες, τα μπουλόνια των λαβών, και το συγκρότημα του κόφτη. Αντικαταστήστε ταυτόχρονα όλες τις λάμες και τα μπουλόνια που έχουν υποστεί φθορά ή ζημιά για να διατηρήσετε την ζυγοστάθμιση.

## Λειτουργία

- Μην λειτουργήσετε τον κινητήρα σε ένα περιορισμένο χώρο όπου μπορούν να συγκεντρωθούν οι επικίνδυνοι ατμοί του μονοξειδίου του άνθρακα.
- Να κόβετε το γρασιδί μόνο κατά τη διάρκεια της ημέρας ή όταν υπάρχει επαρκής τεχνικός φωτισμός.
- Όπου είναι εφικτό, αποφεργείτε να χρησιμοποιείτε την συσκευή σε υγρό γρασιδί.
- Πάντοτε να κρατάτε καλό βηματισμό στις πλαγιές.
- Περπατάτε, ποτέ να μην τρέχετε.
- Με τα τροχοφόρα περιστροφικά μηχανήματα, κόβετε το γρασιδί κατά πλάτος των επικλινών εδαφών, ποτέ πάνω και κάτω.
- Να δίνετε μεγάλη προσοχή κατά την αλλαγή διεύθυνσης σε επικλινή εδάφη.
- Μην κόβετε γρασιδί σε εδάφη με υπερβολικά μεγάλη κλίση.
- Δώστε μεγάλη προσοχή όταν κάνετε αναστροφή ή όταν τραβάτε το χλοοκοπτικό προς το μέρος σας.
- Σταματήστε τη λάμα(ες) εάν στο χλοοκοπτικό πρόκειται να δοθεί κλίση για να μεταφερθεί πάνω από επιφάνειες στις οποίες δεν υπάρχει γρασιδί, καθώς επίσης και κατά την μετακίνηση του χλοοκοπτικού από και προς την περιοχή στην οποία θα κοπεί το γρασιδί.
- Ποτέ να μην λειτουργείτε το χλοοκοπτικό με ελαττωματικούς προφυλακτήρες ή χωρίς να είναι

- τοποθετημένες οι συσκευές ασφαλείας, για παράδειγμα οι εκτροπείς και/ή οι συλλέκτες γρασιδιού.
- Μην αλλάξετε τις ρυθμίσεις του ρυθμιστή του κινητήρα ή μην αυξήσετε υπερβολικά την ταχύτητα του κινητήρα.
- Απεμπλέξτε όλες τις λάμες και τους συμπλέκτες μετάδοσης κίνησης πριν ξεκινήσετε τον κινητήρα.
- Ξεκινήστε τον κινητήρα προσεκτικά σύμφωνα με τις οδηγίες και με τα πόδια σας μακριά από τη λάμα(ες).
- Μην δώσετε κλίση στο χλοοκοπτικό κατά την εκκίνηση του κινητήρα.
- Μην ξεκινάτε τον κινητήρα όταν στέκεστε μπροστά από το στόμιο εκφόρτισης.
- Μην βάλτε τα χέρια σας ή τα πόδια σας κοντά ή κάτω από τα περιστρεφόμενα μέρη. Κρατηθείτε πάντοτε μακριά από τα στόμια εκφόρτισης.
- Ποτέ να μην σηκώσετε ή μεταφέρετε το χλοοκοπτικό όταν λειτουργεί ο κινητήρας.
- Σταματήστε τον κινητήρα και αποσυνδέστε το καλώδιο του μπουζί, βεβαιωθείτε ότι όλα τα κινούμενα μέρη έχουν σταματήσει εντελώς, καθώς επίσης όπου υπάρχει τοποθετημένο κλειδί αφαιρέστε το:
  - πριν από τα ξεμπλοκαρίσματα ή από τον καθαρισμό του στομιού;
  - πριν από τον έλεγχο, τον καθαρισμό ή την εκτέλεση εργασίας πάνω στο χλοοκοπτικό;
  - μετά από το κύττημα ενός ξένου αντικειμένου.
- Επιθεωρήστε το χλοοκοπτικό για την ύπαρξη ζημιών και πραγματοποιήστε τις επιδιορθώσεις πριν την επανεκκίνηση και τη χρήση του;
  - εάν το χλοοκοπτικό ξεκινήσει να δονείται με μη φυσιολογικό τρόπο (επιθεωρήστε αμέσως).
- Σταματήστε τον κινητήρα και αποσυνδέστε το καλώδιο του μπουζί, βεβαιωθείτε ότι όλα τα κινούμενα μέρη έχουν σταματήσει εντελώς, καθώς επίσης όπου υπάρχει τοποθετημένο κλειδί αφαιρέστε το:
  - όποτε αφήνετε μόνο του το χλοοκοπτικό;
  - πριν από τον ανεφοδιασμό με καύσιμο.
- Ελαττώστε τη ρύθμιση του γκαζιού κατά το σβήσιμο του κινητήρα, καθώς επίσης όταν υπάρχει στον κινητήρα μια βαλβίδα διακοπής, διακόψτε την παροχή καυσίμου με την ολοκλήρωση της εργασίας κοπής του γρασιδιού.
- Χρησιμοποιήστε το χλοοκοπτικό μόνο για τον σκοπό για τον οποίο έχει σχεδιαστεί, δηλαδή για την κοπή και την συλλογή γρασιδιού. Η οποιαδήποτε άλλη χρήση μπορεί να είναι επικίνδυνη και να προκαλέσει βλάβη στο μηχάνημα.

## Συντήρηση και αποθήκευση

- Διατηρήστε όλα τα φαξιμάδια, τα μπουλόνια και τις βίδες σφικτά για να εξασφαλίσετε ότι η συσκευή βρίσκεται σε ασφαλή κατάσταση λειτουργίας.
- Ποτέ μην αποθηκεύσετε τη συσκευή σε ένα κτήριο με τη βενζίνη μέσα στο ρεζερβουάρ, όπου οι αναθυμιάσεις μπορεί να φτάσουν σε μια γυμνή φλόγα ή σε σπινθήρα.
- Αφίστε τον κινητήρα να κρυώσει πριν την αποθήκευση στον οποιοδήποτε κλειστό χώρο.
- Για να ελαττώσετε τον κίνδυνο πρόκλησης πυρκαγιάς, διατηρήστε τον κινητήρα, τον σιγαστήρα, το διαμέρισμα της μπαταρίας και την περιοχή φύλαξης της βενζίνης καθαρά από γρασιδί, φύλλα ή υπερβολικό γράσο.
- Ελέγχετε τακτικά το συλλογέα γρασιδιού για την ύπαρξη φθοράς ή επιδείνωσης της λειτουργίας.

- Για ασφάλεια αντικαθιστάτε τα φθαρμένα ή κατεστραμμένα εξαρτήματα.
- Αν πρέπει να αποστραγγιστεί το ρεζερβουάρ καυσίμου, η ενέργεια αυτή πρέπει να γίνει σε εξωτερικό χώρο.



**ΠΡΟΕΙΔΟΠΟΙΗΣΗ:** Μην αγγίζετε την περιστρεφόμενη λάμα.



**ΠΡΟΕΙΔΟΠΟΙΗΣΗ:** Ανεφοδιάστε σε μια καλά αεριζόμενη περιοχή με τον κινητήρα σταματημένο.

## 3. ΠΕΡΙΓΡΑΦΗ ΕΞΑΡΤΗΜΑΤΩΝ (Εικ. 1 και 2)

**Συμπεριλαμβάνονται**

A: Κλειδί για το μπουζί

B: Σφήνα δημιουργίας υπολειμμάτων γρασιδιού

## 4. ΤΕΧΝΙΚΑ ΔΕΔΟΜΕΝΑ

| Μοντέλο                               | PLM4621                    | PLM4622                     |
|---------------------------------------|----------------------------|-----------------------------|
| Τύπος κινητήρα                        | Σειρά B&S 650E, ReadyStart | Σειρά B&S 675EX, ReadyStart |
| Αυτοπροώθηση                          | Ναι                        | Ναι                         |
| Εκτόπισμα κινητήρα                    | 190 cc                     | 190 cc                      |
| Πλάτος λάμας                          | 460 mm                     | 460 mm                      |
| Ταχύτητα ρελαντί                      | 2.800/min                  | 2.800/min                   |
| Χωρητικότητα ρεζερβουάρ καυσίμου      | 1,0L                       | 1,0L                        |
| Χωρητικότητα ρεζερβουάρ λαδιού        | 0,6L                       | 0,6L                        |
| Χωρητικότητα συλλογέα γρασιδιού       | 60L                        | 60L                         |
| Καθαρό βάρος                          | 33,8 kg                    | 35,4 kg                     |
| Ρύθμιση ύψους                         | 20-75 mm, 5 ρύθμιση        | 20-75 mm, 5 ρύθμιση         |
| Θόρυβος σύμφωνα με το EN836           |                            |                             |
| Επίπεδο ηχητικής πίεσης ( $L_{pA}$ ): | 81,5 dB (A)                | 83,1 dB (A)                 |
| Επίπεδο ηχητικής ισχύος ( $L_{wA}$ ): | 93,1 dB (A)                | 92,3 dB (A)                 |
| Αβεβαιότητα (K):                      | 2,41 dB (A)                | 2,75 dB (A)                 |
| Δόνηση σύμφωνα με το EN836            |                            |                             |
| Εκπομπή δόνησης ( $a_h$ ):            | 6,4 m/s <sup>2</sup>       | 7,5 m/s <sup>2</sup>        |
| Αβεβαιότητα (K):                      | 1,5 m/s <sup>2</sup>       | 1,5 m/s <sup>2</sup>        |

## 5. ΣΥΝΑΡΜΟΛΟΓΗΣΗ

### 5-1 ΣΥΝΑΡΜΟΛΟΓΗΣΗ ΤΗΣ

#### ΑΝΑΔΙΠΛΟΥΜΕΝΗΣ ΛΑΒΗΣ

- Στερεώστε τις κάτω ράβδους οδήγησης πάνω στο κορμό της μονάδας με τα ασφαλιστικά κουμπιά όπως παρουσιάζεται. (Εικ. 3, Εικ. 4, Εικ. 5, Εικ. 6)
- Ελευθερώστε τις πάνω ράβδους οδήγησης για την αναδίπλωση. Συνδέστε την πάνω λαβή και την κάτω λαβή με το ασφαλιστικό κουμπί. (Εικ. 7, Εικ. 8)
- Τοποθετήστε όλα τα καλώδια πάνω από τους άξονες των χερουλιών. Στερεώστε τα γύρω από τη μέση των κάτω χερουλιών με τον σφιγκτήρα του καλωδίου έτσι ώστε τα καλώδια να είναι στερεωμένα στο εξωτερικό του μηχανήματος. Διαφορετικά τα καλώδια μπορεί να πιεστούν από το άνοιγμα/κλείσιμο του πίσω καλύμματος ή να τους ασκηθεί δύναμη από την αναδίπλωση του πάνω χερουλιού. (Εικ. 9)

### 5-2 ΣΥΝΑΡΜΟΛΟΓΗΣΗ ΤΟΥ ΣΥΛΛΟΓΕΑ ΓΡΑΣΙΔΙΟΥ

- Για την τοποθέτηση: Ανυψώστε το πίσω κάλυμμα και κρεμάστε τον συλλογέα γρασιδιού στον άξονα στο πίσω μέρος του χλοοκοπτικού. (Εικ. 10, Εικ. 11)
- Για την αφαίρεση: Πιάστε και ανυψώστε το πίσω κάλυμμα, αφαιρέστε το συλλογέα γρασιδιού.

### 5-3 ΧΕΡΟΥΛΙ ΕΚΚΙΝΗΤΗΡΑ

Μετακινήστε το χερουλί εκκινήτηρα από τον κινητήρα προς τον οδηγό του σκονιού. (Εικ. 12, Εικ. 13)

### 5-4 ΥΨΟΣ ΚΟΠΗΣ

Ασκήστε μια πίεση προς τα έξω για να αποσυνδέσετε τον μοχλό από την οδοντωτή βάση στήριξης. Μετακινήστε τον μοχλό προς τα εμπρός ή πίσω για να ρυθμίσετε το ύψος. (Εικ. 14 και δείτε τα στοιχεία 8-9)

## 6. ΡΥΘΜΙΣΗ ΤΟΥ ΚΑΤΑΛΛΗΛΟΥ ΥΨΟΥΣ

- Αποσύρετε το ασφαλιστικό κουμπί που στερεώνει την κάτω λαβή, ανατρέξτε στην Εικ. 15.

- 2) Ανατρέξτε στην **Εικ. 16**, μετακινήστε το κάτω χερούλι προς τα πάνω και προς τα κάτω, ρυθμίστε το στο κατάλληλο ύψος.  
Σε αυτόν τον τύπο του χλοοκοπτικού μπορείτε να επιλέξετε μεταξύ 3 θέσεων ρύθμισης του ύψους, στο ύψος 1, το μεγαλύτερο ύψος είναι αυτό με το κάτω χερούλι προς το έδαφος, το ύψος 3 είναι το χαμηλότερο.
- 3) Μετά την ρύθμιση του κατάλληλου ύψους, στερεώστε το κάτω χερούλι με τα ασφαλιστικά κουμπιά.



**ΠΡΟΕΙΔΟΠΟΙΗΣΗ:** Η αριστερή και η δεξιά πλευρά του κάτω χερουλιού πρέπει να είναι ρυθμισμένες στο ίδιο ύψος.

## 7. ΧΛΟΟΚΟΠΤΙΚΟ ΔΗΜΙΟΥΡΓΙΑΣ ΥΠΟΛΕΙΜΑΤΩΝ

Τί σημαίνει κάλυψη εδάφους με υπολείμματα γρασιδιού; Κατά την εργασίας δημιουργίας υπολειμμάτων γρασιδιού, το γρασίδι κόβεται από το μηχάνημα στο πρώτο βήμα και στη συνέχεια κόβεται ξανά σε μικρά κομμάτια και επιστρέφει πίσω στη λωρίδα του γρασιδιού στο έδαφος ως φυσικό λίπασμα.  
Υποδείξει για την εργασία δημιουργίας υπολειμμάτων γρασιδιού:

- Κανονική κοπή κατά μεγ. 2 cm από το ύψος γρασιδιού των 6 cm στα 4 cm.
- Χρησιμοποιήστε ένα κοφτερό μαχαίρι.
- Μην κόβεται υπολείμματα υγρού γρασιδιού.
- Ρυθμίστε τη μέγιστη ταχύτητα του κινητήρα.
- Μετακινήθειτε μόνο με το ρυθμό εργασίας.
- Καθαρίζετε τακτικά την σφήνα δημιουργίας υπολειμμάτων γρασιδιού, την εσωτερική πλευρά του περιβλήματος και τη λάμα δημιουργίας υπολειμμάτων.



**ΠΡΟΕΙΔΟΠΟΙΗΣΗ:** Μόνο με σταματημένο τον κινητήρα και ακίνητο τον κόφτη.

1. Ανυψώστε το πίσω κάλυμμα και αφαιρέστε τον συλλογέα γρασιδιού.
2. Σπρώξτε την σφήνα δημιουργίας υπολειμμάτων γρασιδιού μέσα στη πλατφόρμα του μηχανήματος. Ασφαλίστε την σφήνα δημιουργίας υπολειμμάτων γρασιδιού με το κουμπί μέσα στο άνοιγμα της πλατφόρμας. (**Εικ. 17, Εικ. 18**)
3. Χαμηλώστε ξανά το πίσω κάλυμμα.

## 8. ΟΔΗΓΙΕΣ ΛΕΙΤΟΥΡΓΙΑΣ

### 8-1 ΠΡΙΝ ΑΠΟ ΤΗΝ ΕΚΚΙΝΗΣΗ

Προσθέστε στον κινητήρα βενζίνη και λάδι σύμφωνα με τις οδηγίες που βρίσκονται στο ξεχωριστό εγχειρίδιο του κινητήρα που παρέχεται με το χλοοκοπτικό σας. Διαβάστε προσεκτικά τις οδηγίες.



**ΠΡΟΕΙΔΟΠΟΙΗΣΗ:** Η βενζίνη είναι πάρα πολύ εύφλεκτη.

Αποθηκεύστε το καύσιμο σε δοχεία που είναι ειδικά σχεδιασμένα για αυτό το σκοπό.  
Ανεφοδιάστε μόνο σε εξωτερικό χώρο, πριν την εκκίνηση του κινητήρα και μην καπνίζετε κατά την διάρκεια του ανεφοδιασμού ή του χειρισμού του καυσίμου.  
Ποτέ να μην αφαιρέσετε την τάπα του ρεζερβουάρ καυσίμου ή να προσθέσετε βενζίνη καθώς ο κινητήρας λειτουργεί ή όταν ο κινητήρας είναι ζεστός.  
Εάν η βενζίνη χυθεί κάτω μην προσπαθήσετε να ξεκινήσετε τον κινητήρα αλλά μετακινήστε το μηχάνημα μακριά από την περιοχή αυτή και αποφύγετε να δημιουργήσετε την οποιαδήποτε πηγή ανάφλεξης έως ότου εξαλειφθούν οι αιτίες της βενζίνης.  
Επανατοποθετήστε καλά όλες τις τάπες του ρεζερβουάρ καυσίμου και των δοχείων.  
Πριν δώσετε κλίση το χλοοκοπτικό για την συντήρηση της λάμας ή την αποστράγγιση του λαδιού, αφαιρέστε το καύσιμο από το ρεζερβουάρ.



**ΠΡΟΕΙΔΟΠΟΙΗΣΗ:** Ποτέ να μην γεμίσετε το ρεζερβουάρ με καύσιμο σε εσωτερικό χώρο, με τον κινητήρα σε λειτουργία ή εάν ο κινητήρας δεν έχει αφαιρεθεί να κρυσώσει για τουλάχιστον 15 μετά την λειτουργία του.

### 8-2 ΓΙΑ ΝΑ ΞΕΚΙΝΗΣΕΤΕ ΤΟΝ ΚΙΝΗΤΗΡΑ ΚΑΙ ΝΑ ΛΕΙΤΟΥΡΓΗΣΕΙ Η ΛΑΜΑ

1. Η συσκευή είναι εφοδιασμένη με μια επένδυση από ελαστικό πάνω στο άκρο του μπουζί, βεβαιωθείτε ότι ο μεταλλικός βρόγχος στο άκρο του καλωδίου του μπουζί (μέσα στην ελαστική επένδυση) είναι στερεωμένος σωστά πάνω στο μεταλλικό άκρο του μπουζί.
2. Κατά την εκκίνηση ενός κρύου κινητήρα, στρέψτε τον μοχλό της ταχύτητας στη θέση "☞". Κατά την εκκίνηση ενός ζεστού κινητήρα και κατά την λειτουργία του, στρέψτε τον μοχλό της ταχύτητας στη θέση "☛". (**Εικ. 19**)
3. Στεκόμενοι πίσω από τη συσκευή, πιάστε το χερούλι ελέγχου διακοπής και κρατήστε το έναντι του πάνω χερουλιού όπως δείχνεται στην **Εικ. 20**.
4. Πιάστε το χερούλι εκκίνησης όπως δείχνεται στη **Εικ. 20** και τραβήξτε το γρήγορα. Επιστρέψτε το αργά στο μπουλόνι του οδηγού του σχοινίου αφού του ξεκινήσει ο κινητήρας. Αφήστε το χερούλι ελέγχου διακοπής για να σταματήσετε τον κινητήρα και τη λάμα.



Ξεκινήστε τον κινητήρα προσεκτικά σύμφωνα με τις οδηγίες και με τα πόδια σας μακριά από τη λάμα.



Μην δώσετε κλίση στο χλοοκοπτικό κατά την εκκίνηση του κινητήρα. Ξεκινήστε το χλοοκοπτικό σε μια επίπεδη επιφάνεια, εκεί όπου δεν υπάρχει γρασίδι ή άλλα εμπόδια.



Μην πλησιάζετε τα χέρια και τα πόδια σας στα περιστρεφόμενα μέρη. Μην ξεκινάτε τον κινητήρα όταν στέκεστε μπροστά από το στόμιο εκφόρτισης.

### 8-3 ΔΙΑΔΙΚΑΣΙΕΣ ΛΕΙΤΟΥΡΓΙΑΣ

Κατά τη λειτουργία, κρατήστε το χερούλι ελέγχου διακοπής γερά με τα δυο σας χέρια.



**Σημείωση:** Κατά τη λειτουργία, όταν ελευθερώσετε το χερούλι ελέγχου διακοπής, θα σταματήσει ο κινητήρας και κατά συνέπεια θα σταματήσει να λειτουργεί το χλοοκοπτικό.

## 8-4 ΓΙΑ ΝΑ ΣΤΑΜΑΤΗΣΕΤΕ ΤΟΝ ΚΙΝΗΤΗΡΑ



**ΠΡΟΣΟΧΗ:** Η λάμα συνεχίζει να περιστρέφεται για μερικά δευτερόλεπτα μετά την απενεργοποίηση του κινητήρα.

1. Αφήστε το χερούλι ελέγχου διακοπής για να σταματήσει τον κινητήρα και τη λάμα.
2. Αποσυνδέστε και γειώστε το καλώδιο του μπουζί σύμφωνα με τις οδηγίες στο ξεχωριστό χειριδίο οδηγιών του κινητήρα για να αποτρέψετε την εκκίνηση της συσκευής όταν την αφήνετε χωρίς επίβλεψη.

## 8-5 ΣΥΝΔΕΣΗ ΓΙΑ ΤΗΝ ΑΥΤΟΜΑΤΗ ΚΙΝΗΣΗ

### Για το PLM4621

Πιάστε το χερούλι ελέγχου αυτόματης κίνησης, το χλοοκοπτικό θα μετακινηθεί αυτόματα προς τα εμπρός με ταχύτητα περίπου 1 μέτρο/δευτ, αφήστε το χερούλι αυτόματης κίνησης, το χλοοκοπτικό θα σταματήσει να κινείται.

### Για το PLM4622

Το χλοοκοπτικό διαθέσει ένα σύστημα ρύθμισης της ταχύτητας που μπορεί να ρυθμίσει 3 ταχύτητες από τα 3,0 χιλ/ώρα έως τα 4,5 χιλ/ώρα.

Τα βήματα για τη ρύθμιση αυτή αναφέρονται παρακάτω:

1. Ελευθερώστε το χερούλι χειρισμού αυτόματης κίνησης έως ότου το χλοοκοπτικό να μην μετακινείται προς τα εμπρός.
2. Ρυθμίστε την κατάλληλη ταχύτητα που επιθυμείτε.
3. Πιάστε το χερούλι χειρισμού αυτόματης κίνησης για να αρχίσετε την κοπή του γρασιδιού. **(Εικ. 21)**



**ΠΡΟΣΟΧΗ:** Το χλοοκοπτικό σας είναι σχεδιασμένο για την κοπή οικιακού γρασιδιού με ύψος όχι μεγαλύτερο από τα 250 χιλ. Μην προσπαθήσετε τα κόψετε το γρασίδι που έχει μεγάλο ύψος είτε είναι ξηρό ή υγρό (π.χ. σε βοσκότοπο) ή σορούς από ξηρά φύλλα. Υπάρχει κίνδυνος πυρκαγιάς εάν συσσωρευτούν τα αποκόμματα στην πλατφόρμα του χλοοκοπτικού ή να έρθουν σε επαφή με την εξάτμιση του κινητήρα.

## 8-6 ΓΙΑ ΒΕΛΤΙΣΤΑ ΑΠΟΤΕΛΕΣΜΑΤΑ ΚΑΤΑ ΤΗΝ ΔΗΜΙΟΥΡΓΙΑ ΥΠΟΛΕΙΜΜΑΤΩΝ ΓΡΑΣΙΔΙΟΥ

Καθαρίστε την πρασιά από τα σκουπίδια. Βεβαιωθείτε ότι στην πρασιά δεν υπάρχουν πέτρες, ξύλα, καλώδια ή άλλα ξένα αντικείμενα τα οποία μπορούν να εκτοξευτούν προς τα έξω από το χλοοκοπτικό προς οποιαδήποτε κατεύθυνση και να προκαλέσουν σοβαρό προσωπικό τραυματισμό στο χειριστή και στα άλλα άτομα καθώς επίσης και την πρόκληση φθοράς στην περιουσία και στα

τριγύρω αντικείμενα. Μην κόβετε υγρό γρασίδι. Για το αποτελεσματικό κόψιμο των υπολειμμάτων γρασιδιού μην κόβετε το γρασίδι όταν είναι υγρό επειδή έχει την τάση να κολλάει στο κάτω μέρος της πλατφόρμας του μηχανήματος και με τον τρόπο αυτό αποτρέπεται η κατάλληλη κοπή σε κομμάτια του γρασιδιού. Να κόβετε όχι περισσότερο από το 1/3 του ύψους του γρασιδιού.

Το συνιστάμενο ύψος κοπής για τη δημιουργία υπολειμμάτων είναι το 1/3 του ύψους του γρασιδιού. Η ταχύτητα του εδάφους πρέπει να προσαρμόζεται ώστε τα κομμάτια να διασπείρονται ομοιόμορφα στην πρασιά. Για μια κοπή με βαρύ φορτίο που απαντάται στο πυκνό γρασίδι, μπορεί να είναι απαραίτητη η χρήση μιας πιο αργής ταχύτητας έτσι ώστε να έχετε μια αποτελεσματική κοπή των υπολειμμάτων. Όταν πρόκειται να κόψετε υπολειμμάτων γρασιδιού που έχει μεγάλο ύψος ενδεχομένως να απαιτείται η κοπή της πρασιάς σε δυο φάσεις, χαμηλώνοντας τη λάμα για άλλο 1/3 του μήκους για την δεύτερη κοπή και ίσως με διαφορετικό τρόπο από αυτόν που χρησιμοποιήθηκε στην πρώτη φορά.

Η μικρή επικάλυψη της κοπής με το κάθε πέρασμα θα βοηθήσει επίσης στην αφαίρεση των οποιονδήποτε ξεχασμένων κομματιών που έμειναν στην πρασιά. Το χλοοκοπτικό θα πρέπει πάντοτε να λειτουργεί στην πλήρη ταχύτητά του για να επιτευχθεί το βέλτιστο αποτέλεσμα και για να μπορέσει να εκτελέσει την πιο αποτελεσματική κοπή υπολειμμάτων του γρασιδιού. Καθαρίστε το κάτω μέρος της πλατφόρμας.

Φροντίστε να καθαρίσετε το κάτω μέρος της πλατφόρμας κοπής του μηχανήματος μετά από κάθε χρήση για να αποφευχθεί η συσσώρευση γρασιδιού, η οποία μπορεί να αποτρέψει την κατάλληλη κοπή υπολειμμάτων.

Δημιουργία υπολειμμάτων φύλλων. Η δημιουργία υπολειμμάτων από φύλλα μπορεί επίσης να είναι ευεργετικά για την πρασιά σας. Κατά την δημιουργία υπολειμμάτων από φύλλα, φροντίστε ώστε να είναι ξηρά και να μην είναι πολύ πυκνά πάνω στην πρασιά. Μην περιμένετε να πέσουν όλα τα φύλλα από τα δέντρα για να αρχίσετε την κοπή τους σε υπολείμματα.



**ΠΡΟΕΙΔΟΠΟΙΗΣΗ:** Αν χτυπήσετε κάποιο ξένο αντικείμενο, σταματήστε τον κινητήρα. Αφαιρέστε το καλώδιο από το μπουζί, ελέγξτε καλά το χλοοκοπτικό για την ύπαρξη ζημιάς και επισκευάστε την πριν ξεκινήσετε ξανά την λειτουργία του χλοοκοπτικού. Η υπερβολική δόνηση του χλοοκοπτικού κατά τη λειτουργία αποτελεί ένδειξη ζημιάς. Η συσκευή θα πρέπει να επιθεωρηθεί άμεσα και να επισκευαστεί.

## 8-7 ΣΥΛΛΟΓΕΑΣ ΓΡΑΣΙΔΙΟΥ

Αδειάστε και καθαρίστε το σάκο, φροντίστε ώστε να είναι καθαρός και διασφαλίστε ότι είναι δυνατός ο αερισμός από τους πόρους. **(Εικ. 22)**

## 8-8 ΠΛΑΤΦΟΡΜΑ

Το κάτω μέρος της πλατφόρμας του χλοοκοπτικού πρέπει να είναι καθαρό μετά από την κάθε χρήση για την αποτροπή συσσώρευσης κομματιών γρασιδιού, φύλλων, βρωμιάς ή άλλου υλικού. Η συσσώρευση αυτών των σκουπιδιών, θα προκαλέσει σκουριά και διάβρωση καθώς επίσης και πιθανώς να αποτρέψει την κατάλληλη δημιουργία των υπολειμμάτων γρασιδιού. Ο καθαρισμός του δαπέδου μπορεί να γίνει δίνοντας μια κλίση στο

χλοοκοπτικό και ξύνοντάς το με ένα κατάλληλο εργαλείο (φροντίστε ώστε να είναι αποσυνδεδεμένο το καλώδιο του μπουζί).

## 8-9 ΟΔΗΓΙΕΣ ΡΥΘΜΙΣΗΣ ΥΨΟΥΣ



**ΠΡΟΣΟΧΗ:** Μην προσπαθήσετε να κάνετε τις οποιαδήποτε ρυθμίσεις στο χλοοκοπτικό χωρίς πρώτα να σταματήσετε τον κινητήρα και να αποσυνδέσετε το καλώδιο του μπουζί.



**ΠΡΟΣΟΧΗ:** Πριν αλλάξετε το ύψος της κοπής γρασιδιού, σταματήστε το χλοοκοπτικό και αποσυνδέστε το καλώδιο του μπουζί.

Το χλοοκοπτικό σας είναι εφοδιασμένο με ένα κεντρικό μοχλό ρύθμισης του ύψους που διαθέτει 5 διαβαθμίσεις του ύψους.

1. Πριν αλλάξετε το ύψος της κοπής του χλοοκοπτικού, σταματήστε το και αποσυνδέστε το καλώδιο του μπουζί.
2. Ο κεντρικός μοχλός ρύθμισης του ύψους που διαθέτει 5 διαφορετικές διαβαθμίσεις του ύψους.
3. Για να αλλάξετε το ύψος της κοπής, πιέστε το μοχλό ρύθμισης προς τον τροχό και μετακινήστε τον επάνω ή κάτω για να επιλέξετε το ύψος. **(Εικ. 23)** Όλοι οι τροχοί πρέπει να βρίσκονται στο ίδιο ύψος κοπής.

## 9. ΟΔΗΓΙΕΣ ΣΥΝΤΗΡΗΣΗΣ

### ΜΠΟΥΖΙ

Χρησιμοποιήστε μόνο αυθεντικό ανταλλακτικό μπουζί. Για βέλτιστα αποτελέσματα, αντικαταστήστε το μπουζί κάθε 100 ώρες λειτουργίας. (ανατρέξτε στο ΕΓΧΕΙΡΙΔΙΟ ΙΔΙΟΚΤΗΤΗ)

## 10. ΟΔΗΓΙΕΣ ΛΙΠΑΝΣΗΣ



**ΠΡΟΣΟΧΗ:** ΑΠΟΣΥΝΔΕΣΤΕ ΤΟ ΜΠΟΥΖΙ ΠΡΙΝ ΤΗΝ ΕΝΑΡΞΗ ΤΗΣ ΕΡΓΑΣΙΑΣ ΣΥΝΤΗΡΗΣΗΣ.

1. ΤΡΟΧΟΙ-Λιπάνετε τα ρουλεμάν σε κάθε τροχό τουλάχιστον μια φορά ανά εποχή με λεπτόρρευστο λάδι.
2. ΚΙΝΗΤΗΡΑΣ-Ακολουθήστε τις οδηγίες λίπανσης του εγχειριδίου του κινητήρα.
3. ΧΕΙΡΙΣΤΗΡΙΟ ΛΑΜΑΣ-Λιπάνετε τα σημεία περιστροφής πάνω στο χερούλι χειρισμού της λάμας και στο καλώδιο του φρένου τουλάχιστον μια φορά ανά εποχή με λεπτόρρευστο λάδι. Το χειριστήριο της λάμας πρέπει να λειτουργεί ελεύθερα προς όλες τις διευθύνσεις.

## 11. ΚΑΘΑΡΙΣΜΟΣ



**ΠΡΟΣΟΧΗ:** Μην καταβρέχετε τον κινητήρα με λάσπη. Το νερό μπορεί να προκαλέσει ζημιά στον κινητήρα ή να ρυπάνει το σύστημα του καυσίμου.

1. Σκουπίστε τη πλατφόρμα με ένα στεγνό ύφασμα.

2. Βρέξτε κάτω από τη πλατφόρμα γέροντας το χλοοκοπτικό έτσι ώστε το μπουζί να είναι προς τα πάνω.

## 11-1 ΦΙΛΤΡΟ ΑΕΡΑ ΚΙΝΗΤΗΡΑ



**ΠΡΟΣΟΧΗ:** Μην αφήσετε τη βρωμιά ή τη σκόνη να βουλώσει τον αφρό του φίλτρου αέρα.

Το φίλτρο αέρα του κινητήρα πρέπει να συντηρείται (καθαρίζεται) μετά από 25 ώρες φυσιολογικής κοπής γρασιδιού. Το στοιχείο του φίλτρου πρέπει να συντηρείται κανονικά εάν το χορτοκοπτικό πρόκειται να χρησιμοποιηθεί υπό συνθήκες σκόνης. (ανατρέξτε στο ΕΓΧΕΙΡΙΔΙΟ ΙΔΙΟΚΤΗΤΗ)

### ΓΙΑ ΤΟΝ ΚΑΘΑΡΙΣΜΟ ΤΟΥ ΦΙΛΤΡΟΥ ΑΕΡΑ

1. Αφαιρέστε τη βίδα.
2. Αφαιρέστε το κάλυμμα.
3. Πλύνετε το στοιχείο του φίλτρου με σαπουνόνερο. **ΜΗΝ ΧΡΗΣΙΜΟΠΟΙΗΣΤΕ ΒΕΝΖΙΝΗ!**
4. Στεγνώστε με αέρα το στοιχείο του φίλτρου.
5. Βάλτε ορισμένες σταγόνες λαδιού SAE30 πάνω στο λίτρο αφρού και πιέστε το ελαφρά για να αφαιρέσετε το οποιοδήποτε παραπανίσιο λάδι.
6. Επανατοποθετήστε το φίλτρο.



**ΣΗΜΕΙΩΣΗ:** Αντικαταστήστε το φίλτρο στην περίπτωση που ξεφτίσει, σχιστεί, καταστραφεί ή που δεν επιδέχεται καθαρισμό. **(Εικ. 24)**

### 11-2 ΛΑΜΑ ΚΟΠΗΣ



**ΠΡΟΣΟΧΗ:** Φροντίστε να αποσυνδέσετε και να γειώσετε το καλώδιο του μπουζί πριν εκτελέσετε κάποια εργασία πάνω στη λάμα κοπής για να αποτρέψετε την τυχαία εκκίνηση του κινητήρα. Προστατεύστε τα χέρια σας χρησιμοποιώντας χοντρά γάντια ή κάποιο πανί για να πιέσετε τις λάμες κοπής.

Δώστε κλίση στο χλοοκοπτικό όπως καθορίστηκε στο ξεχωριστό εγχειρίδιο του κινητήρα. Αφαιρέστε το εξάγωνο μπουλόνι και τη φλάντζα που στηρίζουν την λάμα και το προσαρμογέα της λάμας πάνω στον στροφαλοφόρο άξονα του κινητήρα. Αφαιρέστε τη λάμα και το προσαρμογέα από το στροφαλοφόρο άξονα.



**ΠΡΟΕΙΔΟΠΟΙΗΣΗ:** Περιοδικά να ελέγχετε τον προσαρμογέα της λάμας για ρωγμές, ειδικά εάν χτυπήσετε κάποιο ξένο αντικείμενο. Αντικαταστήστε όταν είναι απαραίτητο.

Για καλύτερα αποτελέσματα, η λάμα σας πρέπει να είναι κοφτερή. Η λάμα μπορεί να ακονιστεί ξανά αφαιρώντας την και τροχίζοντας ή λιμάρνοντας την άκρη κοπής, διατηρώντας όμως όσο το δυνατόν πλησιέστερα την αρχική της κλίση. Είναι εξαιρετικά σημαντικό η κάθε αιχμή κοπής να λαμβάνει ίσο ποσό τροχίσματος για να αποφευχθεί ο σχηματισμός μιας αζυγοστάθμητης λάμας. Η αζυγοστάθμητη λάμα θα προκαλέσει υπερβολικές δονήσεις που τελικά οδηγούν στη βλάβη του κινητήρα και

του χλοοκοπτικού. Φροντίστε να ζυγοσταθμίσετε την λάμα προσεκτικά μετά το ακόνισμα. Η λάμα μπορεί να ελεγχθεί για την ζυγοστάθμισή της κοιτάζοντας την ισορροπία της πάνω σε ένα κατασβίδι με στρογγυλό άξονα. Αφαιρέστε μέταλλο από τη βاریα πλευρά μέχρι να ισορροπήσει ομοιόμορφα. (Εικ. 25)

Πριν την επανασυναρμολόγηση της λάμας του προσαρμογέα της λάμας στη συσκευή, λιπαίνετε τον στροφαλοφόρο άξονα του κινητήρα και την εσωτερική επιφάνεια του προσαρμογέα της λάμας με λεπτόρρευστο λάδι. Τοποθετήστε τον προσαρμογέα της λάμας στο στροφαλοφόρο άξονα με το «αστέρι» μακριά από τον κινητήρα. Συμβουλευθείτε την **Εικ. 25**. Τοποθετήστε τη λάμα με τον αριθμό εξαρτήματος να βλέπει μακριά από τον προσαρμογέα. Ευθυγραμμίστε τη φλάντζα πάνω στη λάμα και εισάγετε το εξάγωνο μπουλόνι. Σφίξτε το εξάγωνο μπουλόνι στη ροπή που αναφέρονται παρακάτω.

### 11-3 ΡΟΠΗ ΣΤΕΡΕΩΣΗΣ ΛΑΜΑΣ

Το κεντρικό μπουλόνι πρέπει να σφίχτει με μια ροπή 35 - 45 Nm. Για να διασφαλιστεί η ασφαλής λειτουργία της μονάδας σας. **ΟΛΑ** τα παξιμάδια και τα μπουλόνια πρέπει να ελέγχονται περιοδικά για το σωστό σφίξιμο. Μετά από παρατεταμένη χρήση, ιδιαίτερα σε αμμώδεις συνθήκες του εδάφους, η λάμα θα φθαρεί και θα χάσει κάποιο από το αρχικό της σχήμα. Η αποτελεσματική κοπή θα μειωθεί και η λάμα πρέπει να αντικατασταθεί.

Αντικαταστήστε μόνο με μια εγκεκριμένη εργοστασιακή ανταλλακτική λάμα. Δεν ευθύνεται ο κατασκευαστής για πιθανές ζημιές που προκύπτουν από μια αζυγοστάθμητη λάμα.

Όταν αλλάξετε τη λάμα, πρέπει να χρησιμοποιήσετε τον αρχικό τύπο που σημειώνεται πάνω στη λάμα (ΜΑΚΙΤΑ 263001451) (για παραγγελία της λάμας, παρακαλώ επικοινωνήστε με τον τοπικό αντιπρόσωπο της περιοχής σας ή καλέστε την εταιρεία μας).



**ΠΡΟΕΙΔΟΠΟΙΗΣΗ:** Μην αγγίζετε την περιστρεφόμενη λάμα.

### 11-4 ΚΙΝΗΤΗΡΑΣ

Ανατρέξτε στο χωριστό εγχειρίδιο του κινητήρα για οδηγίες συντήρησης του κινητήρα.

Διατηρήστε το λάδι του κινητήρα σύμφωνα με τις οδηγίες στο χωριστό εγχειρίδιο του κινητήρα που παρέχεται με τη συσκευή σας.

Διαβάστε και ακολουθήστε τις οδηγίες προσεκτικά. Υπό κανονικές συνθήκες συντηρήστε το φίλτρο αέρα σύμφωνα με το ξεχωριστό εγχειρίδιο του κινητήρα. Καθαρίστε κάθε λίγες ώρες υπό συνθήκες υψηλής σκόνης. Η κακή απόδοση του κινητήρα και το μπούκωμα του κινητήρα συνήθως υποδηλώνει ότι φίλτρο αέρα πρέπει να καθαριστεί.

Για το καθάρισμα του φίλτρου αέρα, ανατρέξτε στο ξεχωριστό εγχειρίδιο του κινητήρα που παρέχεται με την συσκευή σας.

Το μπουζί πρέπει να καθαρίζεται και να επαναφέρεται το κενό μία φορά την εποχή. Συστήνεται η αντικατάσταση του μπουζί κατά την έναρξη της κάθε περιόδου κοπής γρασιδιού, ελέγξτε εγχειρίδιο του κινητήρα για το σωστό τύπο μπουζί και τις προδιαγραφές του κενού.

Καθαρίστε τον κινητήρα τακτικά με ένα πανί ή βούρτσα. Κρατήστε το σύστημα ψύξης (χώρος στέγασης ανεμιστήρα) καθαρό για να επιτρέπεται η σωστή κυκλοφορία του αέρα που είναι απαραίτητη για την καλή απόδοση του κινητήρα και τη μεγάλη διάρκεια ζωής του. Φροντίστε να αφαιρέσετε όλο το γρασίδι, τη βρωμιά και τα καιόμενα σκουπίδια από την περιοχή του σιγαστήρα.

## 12. ΟΔΗΓΙΕΣ ΑΠΟΘΗΚΕΥΣΗΣ (ΕΚΤΟΣ ΕΠΟΧΗΣ)

Τα παρακάτω βήματα θα πρέπει να ληφθούν για την προετοιμασία του χορτοκοπτικού για την αποθήκευσή του.

1. Μετά το τελικό κόψιμο του γρασιδιού για την εποχή αφήστε να αδειάσει το ρεζερβουάρ καυσίμου.
2. Καθαρίστε και λιπαίνετε επιμελώς το χλοοκοπτικό όπως περιγράφεται στις οδηγίες λίπανσης.
3. Ανατρέξτε στο εγχειρίδιο του κινητήρα για τις σωστές οδηγίες αποθήκευσης του κινητήρα.
4. Για την αποτροπή της σκουριάς καλύψτε ελαφρά την λάμα κοπής με γράσο για σασί οχημάτων.
5. Αποθηκεύστε το χλοοκοπτικό σε ένα στεγνό, καθαρό χώρο.



### ΣΗΜΕΙΩΣΗ:

- Κατά την αποθήκευση κάθε είδους μηχανοκίνητου εξοπλισμού σε μια αποθήκη με ανεπαρκή αερισμό ή σε χώρο αποθήκευσης υλικών;
- Πρέπει να λαμβάνεται μέριμνα για την προστασία του εξοπλισμού από τη σκουριά. Χρησιμοποιώντας ένα λεπτόρρευστο λάδι ή σιλικόνη, επικαλύψτε τη συσκευή, ιδιαίτερα τα καλώδια και όλα τα κινούμενα μέρη.
- Προσέξτε να μην κάμψετε ή τσακίσετε τα καλώδια.
- Αν αποσυνδεθεί το σχοινί της μίζας από το οδηγό σχοινί στο χερούλι, αποσυνδέστε και γειώστε το καλώδιο του μπουζί, πιέστε το χερούλι ελέγχου της λάμας και τραβήξτε το σχοινί εκκίνησης αργά έξω από τον κινητήρα. Βάλτε το σχοινί του εκκινήτηρα μέσα στο μπουλόνι του σχοινού οδηγού στο χερούλι.

### 13. ΕΠΙΛΥΣΗ ΠΡΟΒΛΗΜΑΤΩΝ

| ΠΡΟΒΛΗΜΑ   | ΠΙΘΑΝΗ ΑΙΤΙΑ  | ΔΙΟΡΘΩΤΙΚΗ ΚΙΝΗΣΗ   |
|--|---|---|
| Ο κινητήρας δεν ξεκινά.                                  | Ο λεβιές του γκαζιού δεν βρίσκεται στην σωστή θέση για τις υπάρχουσες συνθήκες.                     | Μετακινήστε το λεβιέ του γκαζιού στη σωστή θέση.  |
|  | Το ρεζερβουάρ καυσίμου είναι άδειο.   | Γεμίστε το ρεζερβουάρ με καύσιμο: ανατρέξτε στο ΕΓΧΕΙΡΙΔΙΟ ΚΙΝΗΤΗΡΑ ΙΔΙΟΚΤΗΤΗ.  |
|  | Το φίλτρο αέρα είναι βρώμικο.   | Καθαρίστε το φίλτρο αέρα: ανατρέξτε στο ΕΓΧΕΙΡΙΔΙΟ ΚΙΝΗΤΗΡΑ ΙΔΙΟΚΤΗΤΗ.  |
|  | Ξεσφιγμένο μπουζί.  | Σφίξτε το μπουζί στα 25 - 30 Nm.  |
|  | Χαλαρό καλώδιο μπουζί ή αποσυνδεδεμένο από το μπουζί.   | Τοποθετήστε το καλώδιο του μπουζί πάνω στο μπουζί.  |
|  | Εσφαλμένο κενό στο μπουζί.  | Ρυθμίστε το κενό ανάμεσα στα ηλεκτρόδια μεταξύ 0,7 και 0,8 mm.  |
|  | Ελαττωματικό μπουζί.  | Τοποθετήστε ένα καινούργιο με το σωστό διάκενο: ανατρέξτε στο ΕΓΧΕΙΡΙΔΙΟ ΚΙΝΗΤΗΡΑ ΙΔΙΟΚΤΗΤΗ.  |
|  | Το καρμπυρατέρ έχει μπουκώσει με καύσιμο.   | Αφαιρέστε το φίλτρο αέρα και τραβήξτε το σχοινί της μίζας συνεχώς έως ότου καθαρίσει το καρμπυρατέρ μόνο του και τοποθετήστε ξανά το φίλτρο αέρα. |
|  | Εσφαλμένο στοιχείο ανάφλεξης.   | Επικοινωνήστε με το εξουσιοδοτημένο κέντρο εξυπηρέτησης της Makita.   |
| Δυσκολία στην εκκίνηση του κινητήρα και απώλεια ισχύος.  | Βρωμιά, νερό ή παλιό καύσιμο στο ρεζερβουάρ.  | Αποστραγγίστε το καύσιμο και καθαρίστε το ρεζερβουάρ. Γεμίστε το ρεζερβουάρ με καθαρό και καινούργιο καύσιμο.                                     |
|  | Έχει βουλώσει η τρύπα εξαερισμού στην τάπα του ρεζερβουάρ καυσίμου.                                 | Καθαρίστε ή αντικαταστήστε την τάπα του ρεζερβουάρ καυσίμου.  |
|  | Το φίλτρο αέρα είναι βρώμικο.   | Καθαρίστε το φίλτρο αέρα.   |
| Ο κινητήρας λειτουργεί ακανόνιστα.                       | Το μπουζί είναι ελαττωματικό.   | Τοποθετήστε ένα καινούργιο με το σωστό διάκενο: ανατρέξτε στο ΕΓΧΕΙΡΙΔΙΟ ΚΙΝΗΤΗΡΑ ΙΔΙΟΚΤΗΤΗ.  |
|  | Εσφαλμένο διάκενο στο μπουζί.   | Ρυθμίστε το διάκενο ανάμεσα στα ηλεκτρόδια μεταξύ 0,7 και 0,8 mm.   |
|  | Το φίλτρο αέρα είναι βρώμικο.   | Καθαρίστε το φίλτρο αέρα: ανατρέξτε στο ΕΓΧΕΙΡΙΔΙΟ ΚΙΝΗΤΗΡΑ ΙΔΙΟΚΤΗΤΗ.  |
| Ανεπαρκές ρελαντί του κινητήρα.                          | Το φίλτρο αέρα είναι βρώμικο.   | Καθαρίστε το φίλτρο αέρα: ανατρέξτε στο ΕΓΧΕΙΡΙΔΙΟ ΚΙΝΗΤΗΡΑ ΙΔΙΟΚΤΗΤΗ.  |
|  | Μπλοκαρισμένα ανοίγματα αέρα στο κάλυμμα του κινητήρα.  | Αφαιρέστε τα σκουπίδια από τα ανοίγματα.  |
|  | Μπλοκαρισμένα τα ψυκτικά πτερύγια και οι αεραγωγοί κάτω από το περίβλημα του φυσητήρα του κινητήρα. | Αφαιρέστε τα σκουπίδια από τα ψυκτικά πτερύγια και από τους αεραγωγούς.   |
| Ο κινητήρας λειτουργεί ελαττωματικά στις υψηλές στροφές. | Το διάκενο μεταξύ των ηλεκτροδίων του μπουζί είναι πολύ μικρό.                                      | Ρυθμίστε το διάκενο ανάμεσα στα ηλεκτρόδια μεταξύ 0,7 και 0,8 mm.   |
| Ο κινητήρας υπερθερμαίνεται.                             | Εμπυκνώνεται η ροή του ψυκτικού αέρα.   | Αφαιρέστε τα οποιαδήποτε σκουπίδια από τις τρύπες στο κάλυμμα, στο περίβλημα του φυσητήρα και στους αεραγωγούς.                                   |
|  | Λάθος μπουζί.   | Τοποθετήστε το μπουζί RJ19LMC και τα ψυκτικά πτερύγια στον κινητήρα.  |
| Το χλοοκοπτικό δονείται αφύσικα.                         | Ξεσφιγμένο το σύστημα κοπής.  | Σφίξτε τη λάμα.   |
|  | Το σύστημα κοπής είναι αζυγοστάθμητο.   | Ζυγοσταθμίστε τη λάμα.  |

### 14. ΠΕΡΙΒΑΛΛΟΝ

Σε περίπτωση που υπάρχει ανάγκη αντικατάστασης του χλοοκοπτικού σας μετά από εκτεταμένη χρήση, μην το απορρίψετε με τα οικιακά απορρίμματα, αλλά απορρίψτε το με τρόπο ασφαλή για το περιβάλλον.



Για τις ευρωπαϊκές χώρες μόνο  
**EK – Δήλωση συμμόρφωσης**  
**Η Εταιρία Makita ως υπεύθυνος κατασκευαστής,**  
**δηλώνει ότι το παρακάτω μηχάνημα ή μηχανήματα**  
**της Makita:**

Όνομασία Μηχανήματος: Βενζινοκίνητο χλοοκοπτικό  
Αρ. Μοντέλου/ Τύπος: PLM4621, PLM4622

Προδιαγραφές: Δείτε "4. Τεχνικά Δεδομένα"

αποτελούν παραγωγή σε σειρά και

**Συμμορφώνονται με τις ακόλουθες Ευρωπαϊκές**

**Οδηγίες:**

2006/42/EK, 2004/108/EK,

2000/14/EK και 2005/88/EK

Και κατασκευάζονται σύμφωνα με τα παρακάτω πρότυπα

ή τυποποιημένα έγγραφα:

EN836, EN ISO14982

Ο εξουσιοδοτημένος μας αντιπρόσωπος στην Ευρώπη

διατηρεί τα τεχνικά έγγραφα, ο οποίος είναι:

Makita International Europe Ltd.,

Michigan, Drive, Tongwell,

Milton Keynes, MK15 8JD, England

Η διαδικασία εκτίμησης συμμόρφωσης που απαιτείται

από την Οδηγία 2000/14/EK εκτελέστηκε σύμφωνα με το

Παράρτημα VI.

Κοινοποιημένος Οργανισμός:

TÜV SÜD Industrie Service GmbH

Westendstraße 199, D-80686 München

Αριθμός αναγνώρισης: 0036

Μοντέλο PLM4621

Μετρημένο Επίπεδο Ηχητικής Ισχύος: 93,1 dB

Εγγυημένο Επίπεδο Ηχητικής Ισχύος: 96 dB

Μοντέλο PLM4622

Μετρημένο Επίπεδο Ηχητικής Ισχύος: 92,3 dB

Εγγυημένο Επίπεδο Ηχητικής Ισχύος: 96 dB

11. 11. 2011



Tomoyasu Kato

Διευθυντής

Makita Corporation

3-11-8, Sumiyoshi-cho,

Anjo, Aichi, JAPAN

## Genel görünüm

- |                                    |                        |                       |
|------------------------------------|------------------------|-----------------------|
| 1. Üst tutma kolu                  | 6. İp kılavuzu         | 11. Yakıt kapağı      |
| 2. Durdurma kontrol kolu           | 7. Çim haznesi         | 12. Yağ kapağı        |
| 3. Kendinden tahrikli kontrol kolu | 8. Yükseklik ayar kolu | 13. Kablo kelepçesi   |
| 4. Motor devir kolu                | 9. Altılık             | 14. Kilitleme mandalı |
| 5. Çalıştırma kolu                 | 10. Buji               | 15. Hız ayar kolu     |



### UYARI

Kendi güvenliğiniz için lütfen bu yeni makineyi çalıştırmaya başlamadan önce bu kılavuzu okuyun. Verilen talimatların takip edilmemesi ciddi yaralanmalara neden olabilir. Her kullanımdan önce çim biçme makinenizi tanımak için birkaç dakikanızı ayırın.

## 1. ÜRÜN ÜZERİNDEKİ SİMGELER



Kullanım Kılavuzunu okuyun.



İşi olmayan kişileri uzakta tutun.



Yaralanmamak için ellerinize ve ayaklarınıza dikkat edin.



Dumanı zehirlidir; bu nedenle makineyi bina içerisinde çalıştırmayın.



Yakıt alev alabilir, bu nedenle ateşten uzak tutun. Makine çalışırken yakıt eklemeyin.



Çim biçerken, sağlığınıza korumak için koruyucu gözlük ve kulak pamuğu kullanın.



Onarım çalışmaları sırasında, bujiyi çıkartın, ardından onarımı kullanım kılavuzuna uygun şekilde gerçekleştirin.



DİKKAT: Motor sıcaktır.



Makineyi durdurmak için kolu bırakın.



İleri hareket ettirmek için kendinden tahrikli kontrol kolunu çekin.

## 2. GENEL GÜVENLİK KURALLARI



**UYARI:** Benzinli makineler kullanılırken ciddi yaralanma ve/veya makine hasarları risklerinin en aza indirilmesi için mutlaka aşağıda sıralanan talimatlar da dahil tüm temel güvenlik talimatları dikkate alınmalıdır. Makineyi kullanmaya başlamadan önce tüm talimatları okuyun ve daha sonra başvurmak üzere saklayın.



**UYARI:** Bu makine, çalışma sırasında bir elektromanyetik alan meydana getirir. Bazı koşullarda bu alan aktif veya pasif tıbbi implantlarla karışabilmektedir. Ciddi yaralanma ve ölüm riskini azaltmak için, tıbbi implantları olan kişilerin bu makineyi çalıştırmadan önce doktorlarına ve tıbbi implant üreticilerine danışmalarını öneriyoruz.

### Eğitim

- Talimatları dikkatli bir şekilde okuyun. Kontrolleri ve makinenin güvenli kullanımı hakkında bilgi sahibi olun.
- Çocukların veya bu talimatları bilmeyen kişilerin çim biçme makinesini kullanmasına izin vermeyin. Bazı ülkelerde kullanıcı yaşını sınırlandıran yönetmelikler yürürlükte olabilir.
- Çim biçme makinesini kesinlikle insanların, özellikle de çocukların veya evcil hayvanların yakınında çalıştırmayın.
- Yaralanmalar veya mal kayıplarıyla sonuçlanan kazalardan veya tehlikelerden tek başına operatörün veya kullanıcının sorumlu olacağına dikkat edin.

### Hazırlık

- Çim biçerken daima sağlam ayakkabılar ve uzun pantolonlar giyin. Makineyi kesinlikle çıplak ayakla veya ayağınızda terlik veya sandalet varken çalıştırmayın.

- Makinenin kullanılacağı alanı dikkatli bir şekilde kontrol edin ve makine tarafından fırlatılabilecek nesnelere kaldırın.
- UYARI- Benzin yüksek derecede tutuşabilir bir sıvıdır.
  - yakıtı bu amaçla özel olarak tasarlanmış konteynerlerde saklayın;
  - yalnızca açık havada yakıt doldurun ve yakıt doldururken sigara içmeyin;
  - yakıtı motoru çalıştırmadan önce doldurun. Motor çalışırken veya motor hala sıcakken kesinlikle yakıt deposu kapağını açmayın veya yakıt doldurmayın;
  - etrafa benzin dökülürse, motoru çalıştırmayın, makineyi benzinin döküldüğü alandan uzak bir yere taşıyın ve benzin buharı dağılına kadar tutuşturucu kaynakları ilgili alandan uzak tutun;
  - tüm yakıt deposu ve konteyner kapaklarını sağlam şekilde sıkın.
- Arızalı susturucuları değiştirin.
- Her kullanımdan önce mutlaka bıçakların, bıçak civatalarının ve kesici tertibatının aşınmamış ve hasarsız olduğundan emin olmak için gerekli kontrolleri gerçekleştirin. Dengenin korunması için, aşınmış veya hasar görmüş bıçakları ve civataları değiştirin.

## Çalıştırma

- Tehlikeli şekilde karbon monoksit buharı birikebileceğinden, makineyi kapalı alanlarda çalıştırmayın.
- Çim biçme makinesini yalnızca gün ışığında veya iyi bir aydınlatmayla çalıştırın.
- Mümkünse, makineyi ıslak çimlerde kullanmaktan kaçının.
- Eğimlerde mutlaka yere sağlam ve dengeli basın.
- Makineyi yürüyerek çalıştırın ve kesinlikle koşmayın.
- Tekerlekli makineler ile eğimli arazide çim biçerken, eğime dik şekilde çalışın, kesinlikle aşağı veya yukarı yürüyerek çalışmayın.
- Eğimli arazide çalışma yönünüzü değiştirirken çok dikkatli olun.
- Çim biçme makinesini aşırı derecede dik eğimli arazide kullanmayın.
- Çim biçme makinesinin yönünü değiştirirken veya kendinize doğru çekerken çok dikkatli olun.
- Çim dışındaki alanlardan geçen çim biçme makinesinin yatırılması gerekiyorsa ve çim biçme makinesinin biçilecek alana veya biçilecek alandan taşınması sırasında bıçağı (bıçakları) durdurun.
- Muhafazaları hasarlı veya emniyet cihazları, örneğin deflektörleri ve/veya çim hazneleri yerinde olmayan çim biçme makinelerini kesinlikle çalıştırmayın.
- Motor kontrol ayarlarını değiştirmeyin ve motoru çok yüksek devirde çalıştırmayın.
- Motoru çalıştırmadan önce tüm bıçak ve tahrik kavramalarını çıkartın.
- Motoru ayaklarınızın bıçaktan (bıçaklardan) uygun uzaklıktayken talimatlara uygun ve dikkatli bir şekilde çalıştırın.
- Motoru çalıştırırken çim biçme makinesini yatırmayın.
- Deşarj oluşunun önünde duruyorken, motoru çalıştırmayın.
- Ellerinizi ve ayaklarınızı hareketli parçalardan uzak tutun. Deşarj açıklığını her zaman temiz tutun.

- Motor çalışırken, çim biçme makinesini kesinlikle kaldırmayın veya taşımayın.
- Motoru durdurun, buji telinin bağlantısını kesin ve tüm hareketli parçaların tamamen durduğundan emin olun ve varsa, takılı olan anahtarları çıkartın:
  - tıkanıklıkları veya oluktaki birikmeyi temizlemeye başlamadan önce;
  - çim biçme makinesini kontrol etmeye, temizlemeye veya üzerinde herhangi bir işlem yapmaya başlamadan önce;
  - yabancı bir nesneye çarpıldığında. Aşağıdaki durumlarda çim biçme makinesinde hasar olup olmadığını kontrol edin ve makineyi yeniden başlatmadan ve çalıştırmadan önce gerekli onarımları yaptırın;
  - çim biçme makinesi anormal derecede titreşimli çalışıyorsa (derhal kontrol edin).
- Motoru durdurun, buji telinin bağlantısını kesin ve tüm hareketli parçaların tamamen durduğundan emin olun ve varsa, takılı olan anahtarları çıkartın:
  - çim biçme makinesinin yanından ayrılacağınızda;
  - yakıt doldurmadan önce.
- Motor durdurulurken klape ayarını azaltın ve motorda bir kesme vanası varsa çim biçme işleminden önce yakıtı kesin.
- Çim biçme makinesini yalnızca makinenin öngörülmediği amaçlar, yani çim kesme ve toplama işlemleri için kullanın. Başka amaçlarla kullanılması tehlikeli durumlara ve makinenin arızalanmasına yol açabilir.

## Bakım ve saklama

- Makineyi sürekli olarak güvenli ve çalışır durumda tutmak için tüm somunların, civataların ve vidaların sağlam şekilde sıkıldığından emin olun.
- Makineyi kesinlikle yakıt deposu doluyken bir bina içerisinde saklamayın, aksi takdirde yakıt buharı açık bir alevle temas ederek yangına neden olabilir.
- Kapalı bir yere koymadan önce motorun soğumasını bekleyin.
- Yangın tehlikesini düşürmek için, motordaki, susturucudaki, akü bölümündeki ve benzin deposu alanındaki çimleri, yaprakları veya aşırı gresi temizleyin.
- Çim haznesinde aşınma veya hasar olup olmadığını sık sık kontrol edin.
- Güvenlik nedeniyle aşınmış veya hasarlı parçaları değiştirin.
- Yakıt deposunun boşaltılması gerekiyorsa, bu işlemi dışarıda yapılması gerekir.



**UYARI:** Hareketli bıçaklara dokunmayın.



**UYARI:** Yakıt doldurma işlemini iyi havalandırılan bir alanda ve motoru durdurduktan sonra gerçekleştirin.

## 3. PARÇALARIN TANIMI (Şekil 1 ve 2)

### Şunlar dahildir

A: Buji anahtarı

B: Malç serme aparatı

## 4. TEKNİK BİLGİLER

| Model                              | PLM4621                     | PLM4622                      |
|------------------------------------|-----------------------------|------------------------------|
| Motor tipi                         | B&S 650E serisi, ReadyStart | B&S 675EX serisi, ReadyStart |
| Otomatik Tahrikli                  | Evet                        | Evet                         |
| Motor Hacmi                        | 190 cc                      | 190 cc                       |
| Bıçak Geniřliđi                    | 460 mm                      | 460 mm                       |
| Rölanti Hızı                       | 2.800/dk.                   | 2.800/dk.                    |
| Yakıt Deposu Kapasitesi            | 1,0L                        | 1,0L                         |
| Yađ deposu kapasitesi              | 0,6L                        | 0,6L                         |
| Çim haznesi torbasının kapasitesi  | 60L                         | 60L                          |
| Net Ađırlık                        | 33,8 kg                     | 35,4 kg                      |
| Yükseklik ayarı                    | 20-75 mm, 5 kademeli        | 20-75 mm, 5 kademeli         |
| EN836 uyarınca gürültü             |                             |                              |
| Ses basıncı seviyesi ( $L_{pA}$ ): | 81,5 dB (A)                 | 83,1 dB (A)                  |
| Ses gücü seviyesi ( $L_{wA}$ ):    | 93,1 dB (A)                 | 92,3 dB (A)                  |
| Belirsizlik (K):                   | 2,41 dB (A)                 | 2,75 dB (A)                  |
| EN836 uyarınca titreşim            |                             |                              |
| Titreşim emisyonu ( $a_h$ ):       | 6,4 m/s <sup>2</sup>        | 7,5 m/s <sup>2</sup>         |
| Belirsizlik (K):                   | 1,5 m/s <sup>2</sup>        | 1,5 m/s <sup>2</sup>         |

## 5. MONTAJ

### 5-1 KATLANIR KOLUN TAKILMASI

- Alt tutma demirlerini şekillerde gösterildiđi kilitleme mandallarını kullanarak ünite gövdesine sabitleyin. (**Şekil 3, Şekil 4, Şekil 5, Şekil 6**)
- Katlanabilmesi için üst tutma demirlerini serbest bırakın. Üst ve alt tutma kollarını kilitleme mandalı ile bağlayın. (**Şekil 7, Şekil 8**)
- Tüm kabloları kol millerinin üzerine yerleştirin. Kabloları, kablo kelepçeleri ile alt kolların orta kısımlarına, makinenin dışına gelecek şekilde sabitleyin. Aksi takdirde, kablolar, arka kapak açılırken/kapanırken takılabilir veya üst kol katlanırken zorlanabilir. (**Şekil 9**)

### 5-2 ÇİM HAZNESİNİN TAKILMASI

- Hazneyi takmak için: Arka kapađı kaldırın ve çim haznesini makinenin arka miline takın. (**Şekil 10, Şekil 11**)
- Hazneyi çıkartmak için: Arka kapađı kaldırın ve çim haznesini çıkartın.

### 5-3 ÇALIŞTIRMA KOLU

Çalıştırma kolunu motordan ip kılavuzuna doğru çekin. (**Şekil 12, Şekil 13**)

### 5-4 KESME YÜKSEKLİĐİ

Kolu dişli parçadan ayırmak için yukarı doğru çekin. Yüksekliđi ayarlamak için kolu ileriye veya geriye doğru itin. (**bkz. Şekil 14 ve Madde 8-9**)

## 6. UYGUN YÜKSEKLİK AYARI

- Alt kolu sabitleyen kilitleme mandalını açın (bkz. **Şekil 15**).
- Alt kolu yukarı ve aşağı hareket ettirerek, uygun yükseklik ayarını gerçekleştirin (bkz. **Şekil 16**). Bu tip çim biçme makinelerinde, 1. yükseklikte alt kol

ile zemin arasındaki mesafe en yüksek ve 3. yükseklikte en düşük olacak şekilde seçilebilecek 3 ayar yüksekliđi mevcuttur.

- Uygun yükseklik ayarını gerçekleřtirdikten sonra, kilitleme mandalları ile alt kolu tekrar sabitleyin.



**UYARI:** Alt kolun sol tarafı ile sađ tarafı mutlaka aynı yüksekliđe ayarlanmalıdır.

## 7. MALÇ SERME MAKİNESİ

Malç serme işlemi nedir?

Malç serme işlemi yapılırken, bir çalışma aşamasında çim kesilir ve daha sonra ince ince parçalandıktan sonra doğal gübre olarak tekrar serilir.

Malç serme işlemi ile ilgili ipuçları:

- 6 cm ila 4 cm çim yüksekliđinde düzenli olarak maksimum 2 cm kesim yapın.
- Keskin bir kesme bıçađı kullanın.
- Yaş çimde kesim yapmayın.
- Maks. Motor devrini ayarlayın.
- Yalnızca yürüme hızında kesim yapın.
- Malç serme aparatını, muhafazanın iç kısmını ve çim biçme bıçađını düzenli olarak temizleyin.



**UYARI:** Bu işlemleri yalnızca motor ve kesici durduktan sonra gerçekleştirin.

- Arka kapađı kaldırın ve çim haznesini çıkartın.
- Malç serme aparatını altlıđa yerleştirin. Malç serme aparatını altlık üzerindeki delikte bulunan düğmeye basarak kilitleyin. (**Şekil 17, Şekil 18**)
- Arka kapađı geri yerine takın.

## 8. ÇALIŞTIRMA TALİMATLARI

### 8-1 BAŞLAMADAN ÖNCE

Çim biçme makinenize takılı olan motorun ayrı verilen kılavuzundaki talimatları takip ederek motora benzin ve yağ koyun. Talimatları dikkatli bir şekilde okuyun.



**UYARI:** Benzin yüksek derecede tutuşabilir bir sıvıdır.

Yakıtı bu amaçla özel olarak tasarlanmış konteynerlerde saklayın.

Yalnızca açık havada ve motoru başlatmadan önce yakıtı doldurun ve yakıtı doldururken sigara içmeyin.

Motor çalışırken veya motor hala sıcaktan kesinlikle yakıt deposu kapağını açmayın veya yakıtı doldurmayın. Etrafa benzin dökülürse, motoru çalıştırmayın, makineyi benzinin döküldüğü alandan uzak bir yere taşıyın ve benzin buharı dağılına kadar tutuşturucu kaynakları ilgili alandan uzak tutun.

Tüm yakıt deposu ve konteyner kapaklarını sağlam şekilde sıkın.

Bıçakta bakım yapmak veya yağı boşaltmak için çim biçme makinesini yatırmadan önce, depodaki benzini boşaltın.



**UYARI:** Yakıt deposunu kesinlikle bina içinde, makine çalışırken doldurmayın ve motor durduktan sonra en az 15 dakika motorun soğuması için bekleyin.

### 8-2 MOTORU ÇALIŞTIRMAK VE BIÇAĞIN TAKILMASI

1. Ünitede bujinin ucunda bir kauçuk kapak bulunmaktadır, buji telinin ucundaki (kauçuk kapağın içindeki) metal kancanın bujideki metal uca sağlam şekilde takıldığından emin olun.
2. Soğuk bir motoru çalıştırırken, motor devri kolunu "←" konumuna getirin. Sıcak bir motoru çalıştırırken ise motor devri kolunu "→" konumuna getirin. (Şekil 19)
3. Ünitenin arkasına geçtikten sonra, durdurma kontrol kolunu tutun ve **Şekil 20'de** gösterildiği gibi üst kola doğru çekin.
4. Çalıştırma kolunu **Şekil 20'de** gösterildiği gibi tutun ve hızlı bir şekilde yukarıya doğru çekin. Motor çalıştıktan sonra yavaş bir şekilde ip kılavuzu civatasına geri bırakın. Motoru ve bıçağı durdurmak için durdurma kontrol kolunu bırakın.



Motoru ayaklarınızın bıçaktan uygun uzaklıktayken talimatlara uygun ve dikkatli bir şekilde çalıştırın.



Motoru çalıştırırken çim biçme makinesini yatırmayın. Çim biçme makinesini düz ve üzerinde çim veya başka bir engel bulunmayan bir zemin üzerinde çalıştırın.



Ellerinizi ve ayaklarınızı hareketli parçalardan uzak tutun. Deşarj oluşunun önünde duruyorken, motoru çalıştırmayın.

### 8-3 HAZIRLIK PROSEDÜRLERİ

Çalıştırma sırasında, durdurma kontrol kolunu her iki elinizle sıkıca tutun.



**Not:** Çalıştırma sırasında, durdurma kontrol kolu bırakıldığında, motor duracak ve bu nedenle çim biçme işlemi de kesilecektir.

### 8-4 MOTORU DURDURMAK İÇİN



**DİKKAT:** Motor durdurulduktan sonra bıçak birkaç saniye daha dönmeye devam eder.

1. Motoru ve bıçağı durdurmak için durdurma kontrol kolunu bırakın.
2. Makinenin başında değişken istem dışı şekilde çalışmasını önlemek için, ayrı verilen motor kılavuzunda verilen talimatlara göre buji telinin bağlantısını kesin ve topraklayın.

### 8-5 OTOMATİK HAREKET BAĞLANTISI

#### PLM4621 için

Kendinden tahrikli kontrol kolunu çektiğinizde, çim biçme makinesi otomatik olarak yaklaşık 1 m/sn hızla ilerlemeye başlayacaktır; kendinden tahrikli kolu bıraktığınızda ise çim biçme makinesi duracaktır.

#### PLM4622 için

Çim biçme makinesinde, 3,0 km/sa ila 4,5 km/sa arasında 3 kademede ayarlanabilen bir hız ayar sistemi mevcuttur.

Ayar adımları şunlardır:

1. Çim biçme makinesi ileri hareketini durdurana kadar kendinden tahrikli kontrol kolunu bırakın.
2. İsteddiğiniz hız kademesini ayarlayın.
3. Çim biçme işlemine devam etmek için kendinden tahrikli kolu geri çekin. (Şekil 21)



**DİKKAT:** Çim biçme makineniz, 250 mm'yi geçmeyen yüksekliklerdeki normal bahçe çimlerinin kesilmesi için tasarlanmıştır.

Normalden uzun, kuru veya yaş çimler (örn. otlak) veya kuru yaprak yığınlarını biçmeye çalışmayın. Çim biçme makinesinin haznesinde kir birikebilir ve potansiyel bir yangın tehlikesi oluşturacak şekilde motor egzozuna temas edebilir.

### 8-6 MALÇ SERME İŞLEMİ SIRASINDA EN İYİ SONUÇ İÇİN

Biçilecek alandaki yabancı maddeleri temizleyin. Biçilecek alanda çim biçme makinesi tarafından fırlatılabilecek ve operatörün veya diğer kişilerin ciddi şekilde yaralanmasına ve makinenin ve çevredeki eşyaların hasar görmesine neden olabilecek taş, ağaç dalları, tel vs. gibi yabancı maddeler bulunmadığından emin olun. Yaş çimde kesim yapmayın. Malç serme işleminin etkin şekilde uygulanması için, yaş çimde kesim yapmayın, aksi takdirde yaş çim altlığın alt tarafına yapışarak, kırılan çimlerin uygun şekilde serilmesini engelleyebilir. Çimin uzunluğunun 1/3'ünden fazlasını kesmeyin. Malç serme işlemi için önerilen kesim miktarı, çim uzunluğunun 1/3'üdür. Makinenin hareket hızı, kırılan çimler alana eşit şekilde dağıtılabilecek şekilde ayarlanmalıdır. Özellikle, yoğun çimde yapılan kesim işlemlerinde, malç serme işleminin düzgün yapılabilmesi için en düşük hızlardan birinin kullanılması gerekebilir.

Uzun çimde malç serme işlemi gerçekleştirilirken, alanı iki geçişte geçebilir, ikinci kesimde bıçağı uzunluğun 1/3'ü kadar alçaltabilir ve alanı ilk kesimden farklı bir modelde kesebilirsiniz.

Kesim yapılan bir önceki şeridin bir miktar üzerinden geçilmesi de yanlış serilmiş çimlerin temizlenmesine yardımcı olacaktır. Çim biçme makinesi, en iyi sonucun elde edilmesi ve malç serme işleminin en etkin şekilde yapılması için tam açıklıkta çalıştırılmalıdır. Altlığın alt kısmını temizleyin.

Çimlerin birikmesini ve malç serme işleminin uygun şekilde yapılmasını engellemesini önlemek için, her kullanımdan sonra kesme altlığının alt kısmını temizlediğinden emin olun. Yapraklar için de malç serme işlemi uygulanabilir. Yaprakların malç olarak serilmesi de çimlerin için yararlı olabilir. Yaprakları malç olarak sererken, yaprakların kuru olmasına ve toprakta çok kalın bir tabaka halinde bulunmamasına dikkat edin. Malç işlemine başlamadan önce, ağaçlardaki tüm yaprakların dökülmesini beklemeyin.



**UYARI:** Yabancı bir maddeye çarptığınızda, motoru durdurun. Bujideki teli çıkartın, çim biçme makinesinde herhangi bir hasar olup olmadığını dikkatli bir şekilde kontrol edin ve makineyi yeniden çalıştırmadan önce tespit edilen hasarları onarın. Çalışma sırasında makinenin çok titreşimli çalışması hasar olduğunun bir göstergesidir. Bu durumda, makine derhal kontrol edilmeli ve onarılmalıdır.

## 8-7 ÇİM HAZNESİ

Torbayı boşaltın ve temizleyin, temiz olduğundan emin olun ve ağı kısmının havalandırılmasını sağlayın. (Şekil 22)

## 8-8 ALTLIK

Kırılan çimlerin, yaprakların, pisliklerin ve diğer yabancı maddelerin birikmesinin önlenmesi için, çim biçme makinesinin altlığının alt tarafı her kullanımdan sonra temizlenmelidir. Yabancı maddelerin bu şekilde birikmesine izin verilirse, paslanma ve korozyon oluşabilir ve malç serme işlemi doğru şekilde uygulanamayabilir. Altlık, çim biçme makinesi eğilerek ve uygun bir aletle fırçalanarak temizlenebilir (bujı telinin bağlantısının kesildiğinden emin olun).

## 8-9 YÜKSEKLİK AYAR TALİMATLARI



**DİKKAT:** Öncelikle motoru durdurmadan ve buji telinin bağlantısını kesmeden kesinlikle çim biçme makinesinde herhangi bir ayar yapmayın.



**DİKKAT:** Çim biçme yüksekliğini değiştirmeden önce, çim biçme makinesini durdurun ve buji kablosunun bağlantısını kesin.

Çim biçme makinesinde 5 farklı yükseklik kademesine sahip olan bir merkezi yükseklik ayar kolu mevcuttur.

1. Çim biçme yüksekliğini değiştirmeden önce çim biçme makinesini durdurun ve buji kablosunun bağlantısını kesin.

2. Merkezi yükseklik ayar kolu 5 farklı yükseklik kademesinin ayarlanmasına izin verir.
3. Kesim yüksekliğini değiştirmek için, ayar kolunu tekere doğru sıkıştırın ve istediğiniz yüksekliği ayarlamak için yukarı veya aşağı doğru hareket ettirin (Şekil 23). Tüm tekerlekler aynı kesim yüksekliğinde olacaktır.

## 9. BAKIM TALİMATLARI

### BUJİ

Mevcut bujiyi yalnızca orijinal yedek parçalarla değiştirin. En iyi sonucu elde etmek için, bujiyi her 100 saatlik kullanımda bir değiştirin. (bkz. MOTOR KULLANMA KILAVUZU)

## 10. YAĞLAMA TALİMATLARI



**DİKKAT:** SERVİS İŞLEMİNDEN ÖNCE BUJİYİ ÇIKARTIN.

1. TEKERLEKLER-Her mevsimde en az bir kere her tekerlekteki bilyeli yatakları ince bir yağla yağlayın.
2. MOTOR-Motor kılavuzunda verilen yağlama talimatlarını takip edin.
3. BIÇAK KONTROLÜ-Her mevsimde en az bir kere bıçak kontrol kollunun bağlantı noktalarını ve fren kablosunu ince bir yağla yağlayın. Bıçak kontrolü mutlaka her iki yönde serbestçe hareket etmelidir.

## 11. TEMİZLEME



**DİKKAT:** Motora doğrudan su tutmayın. Su, motora zarar verebilir veya yakıt sistemini kirletebilir.

1. Altlığı kuru bir bezle silin.
2. Bujı üstte kalacak şekilde çim biçme makinesini eğdikten sonra altlığın altına su tutun.

### 11-1 MOTOR HAVA TEMİZLEYİCİ



**DİKKAT:** Kir ve tozun hava filtresinin köpük elemanını tıkamasına izin vermeyin.

Motor hava temizleyici bileşeni mutlaka her 25 saatlik normal çalıştırmadan sonra servise alınmalıdır (temizlenmelidir). Çim biçme makinesi kuru ve tozlu koşullarda kullanılıyorsa, köpük eleman düzenli olarak servise alınmalıdır. (bkz. MOTOR KULLANMA KILAVUZU)

### HAVA FİLTRESİNİ TEMİZLEMEK için

1. Vidayı sökün.
2. Kapağı çıkartın.
3. Filtre elemanını sabunlu suyla yıkayın. **BENZİN KULLANMAYIN!**
4. Filtre elemanını havayla kurutun.
5. Köpük filtreye birkaç damla SAE30 yağ uygulayın ve fazla yağı temizlenmesi için filtre elemanını sıkıca sıkın.
6. Filtreyi geri takın.



**NOT:** Yıpranmış, aşınmış, hasar görmüş veya temizlenemiyorsa filtreyi değiştirin. (Şekil 24)

## 11-2 KESME BIÇAĞI



**DİKKAT:** Motorun istem dışı şekilde çalışmasını önlemek için, kesme bıçağı üzerinde herhangi bir çalışma yapmadan önce buji telinin bağlantısının kesildiğinden ve topraklandığından emin olun. Kesme bıçaklarını ağır hizmet tipi eldivenler veya kalın bir bezle tutarak, ellerinizi koruyun.

Çim biçme makinesini, ayrı verilen kılavuzda açıkladığı şekilde yatarın. Bıçağı ve bıçak adaptörünü motorun krank miline sabitleyen altı köşeli civatayı ve pulu sökün. Bıçağı ve adaptörü krank milinden çıkartın.



**UYARI:** Bıçak adaptöründe çatlak olup olmadığını düzenli olarak, özellikle de yabancı bir nesneye çarptıktan sonra kontrol edin. Gerekirse, değiştirin.

En iyi sonucun elde edilmesi için bıçak daima keskin olmalıdır. Bıçak, çıkartılabilir ve orijinal eğime mümkün olduğunca sadık kalınarak kesici kenarı taşlanarak veya bilerek keskinleştirilebilir. Bıçak dengesinin bozulmaması için, her bir kesici kenarın eşit miktarda taşlanması veya bileneceği oldukça önemlidir. Bıçağın dengesiz olması, aşırı titreşime ve neticesinde motorun ve çim biçme makinesinin bozulmasına veya hasar görmesine neden olabilir. Bileme işleminden sonra bıçağın dikkatli şekilde dengelendiğinden emin olun. Yuvarlak bir tornavidaya takılarak bıçağın dengede olup olmadığı kontrol edilebilir. Uygun şekilde dengelenene kadar ağır taraftaki metali bileyin. (Şekil 25) Bıçağı ve bıçak adaptörünü makineye geri takmadan önce, motorun krank milini ve bıçak adaptörünün iç yüzeyini ince bir yağla yağlayın. Bıçak adaptörünü "yıldız" kısım motordan uzakta kalacak şekilde krank miline takın. Bkz. Şekil 25. Bıçağı, parça numarası adaptörden uzağa bakacak şekilde yerleştirin. Pulu bıçakla hizalayın ve altı köşeli civatayı takın. Altı köşeli civatayı aşağıda verilen tork değerine kadar sıkın.

## 11-3 BIÇAK MONTAJ TORKU

Ortakda Civata mutlakla 35 - 45 Nm tork değerine kadar sıkılmalıdır. Makinenizin güvenli çalışmasını sağlamak için. TÜM somunların ve civataların doğru sıkılıkla olup olmadığını düzenli olarak kontrol edilmesi gerekir. Makine uzun bir süre, özellikle de kumlu toprak koşullarında kullanılması halinde, bıçak aşınır ve orijinal şeklini bir miktar kaybeder. Bu durumda, kesim performansını düşeceğinden, bıçağın değiştirilmesi gerekir. Bıçağı yalnızca fabrika tarafından onaylanmış bir bıçakla değiştirin. Bıçağın dengesiz olmasından kaynaklanabilecek hasarlardan dolayı üretici sorumlu tutulamayacaktır.

Bıçağı değiştirirken, bıçak üzerinde belirtilen orijinal bıçak tipi (MAKITA 263001451) kullanılmalıdır (bıçak siparişi için, mutlaka dağıtıcınıza danışın veya şirketimizi arayın).



**UYARI:** Hareketli bıçaklara dokunmayın.

## 11-4 MOTOR

Motorun bakım talimatları için ayrı verilen motor kılavuzuna bakın.

Motor yağını makinenizle birlikte verilen motor kılavuzunda belirtildiği şekilde doldurun ve yenileyin. Talimatları dikkatli bir şekilde okuyun ve uygulayın. Hava temizleyiciyi ayrı verilen motor kılavuzuna uygun olarak normal koşullarda servise alın. Çok tozlu koşullarda hava temizleyiciyi her birkaç saatte bir temizleyin. Motor performansının düşük olması ve motorun tıkanması genellikle hava temizleyicinin servise alınması gerektiğini gösterir.

Hava temizleyiciyi servise almak için, makinenizle birlikte verilen ayrı motor kılavuzuna bakın. Her mevsimde buji temizlenmeli ve boşluk sıfırlanmalıdır. Her çim biçme sezonundan önce bujinin değiştirilmesi önerilir. Doğru buji tipi ve boşluk değerleri için motor kılavuzuna bakın.

Moturu bir bez parçası veya fırçayla düzenli olarak temizleyin. Motor performansı ve ömrü için oldukça önemli olan, uygun hava devridaimini sağlamak için soğutma sistemini (üfleyci muhafaza alanını) daima temiz tutun. Susturucu alanındaki tüm çimmin, kirlerin ve tutuşabilir pisliklerin temizlendiğinden emin olun.

## 12. DEPOLAMA TALİMATLARI (SEZON DIŞI)

Çim biçme makinesinin depoya kaldırılması için aşağıdaki hazırlık adımlarının takip edilmesi gerekir.

1. Sezonun son kesimini gerçekleştirdikten sonra, çalıştırarak yakıt deposunun boşalmasını sağlayın.
2. Çim biçme makinesini yağlama talimatlarında açıkladığı şekilde temizleyin ve yağlayın.
3. Doğru motor depolama talimatları için motor kılavuzuna bakın.
4. Paslanmasını önlemek için, çim biçme makinesinin kesme bıçağını şasi gresiyile hafifçe yağlayın.
5. Çim biçme makinesini kuru ve temiz bir alanda muhafaza edin.



**NOT:**

- Herhangi bir motorlu makine havalandırılmayan bir alanda veya malzeme deposunda muhafaza edilecektir;
- Makinenin paslanmaya karşı korunması gerekir. Makineyi, özellikle de kablolarını ve hareketli tüm parçalarını ince bir yağ veya silikonla yağlayın.
- Kabloların bükülmemesi veya dolaşmamasına dikkat edin.
- Çalıştırma ipinin koldaki ip kılavuzundan çıkması halinde, buji telinin bağlantısını kesin ve topraklayın, bıçak kontrol koluna bastırın ve çalıştırma ipini motordan yavaşça çekin. Çalıştırma ipini koldaki ip kılavuz civatasına geri takın.

## 13. SORUN GİDERME

| PROBLEM   | OLASI NEDENİ   | DÜZELTİCİ İŞLEM  |
|---|--|--|
| Motor çalışmıyor.                                       | Mevcut koşullar için klape doğru konumda değildir.                     | Klapeyi doğru konuma getirin.  |
|   | Yakıt deposu boştur.   | Yakıt deposunu doldurun: bkz. MOTOR KULLANMA KILAVUZU.   |
|   | Hava temizleyici elemanı kirlidir.                                     | Hava temizleyici elemanını temizleyin: bkz. MOTOR KULLANMA KILAVUZU.   |
|   | Buji gevşektir.  | Bujiyi 25 - 30 Nm değerine kadar sıkın.  |
|   | Buji teli gevşektir veya bujiden çıkmıştır.                            | Buji telini bujiye geri takın.   |
|   | Buji boşluğu yanlışır.   | Boşluğu elektrotlar arasında 0,7 ila 0,8 mm boşluk olacak şekilde ayarlayın.   |
|   | Buji hasarlıdır.   | Yeni bir buji takın ve buji boşluğunu doğru şekilde ayarlayın: bkz. MOTOR KULLANMA KILAVUZU.   |
|   | Karbüratör yakıtla dolmuştur.  | Hava temizleyici elemanını sökün, çalıştırma ipini karbüratör kendini temizleyinceye kadar art arda çekin ve ardından hava temizleyici elemanını geri takın. |
|   | Ateşleme modülü arızalıdır.  | Makita yetkili servis merkezine danışın.   |
| Motor zor çalışıyor veya güç kaybediyor.                | Yakıt deposunda kir, su veya uygun olmayan benzin vardır.              | Depoyu boşaltın ve temizleyin. Depoyu temiz ve yeni yakıtla doldurun.  |
|   | Yakıt deposu kapağındaki havalandırma deliği tıkalıdır.                | Yakıt deposu kapağını temizleyin veya değiştirin.  |
|   | Hava temizleyici elemanı kirlidir.                                     | Hava temizleyici elemanını temizleyin.   |
| Motor düzensiz şekilde çalışıyor.                       | Buji hasarlıdır.   | Yeni bir buji takın ve buji boşluğunu doğru şekilde ayarlayın: bkz. MOTOR KULLANMA KILAVUZU.   |
|   | Buji boşluğu yanlışır.   | Boşluğu elektrotlar arasında 0,7 ila 0,8 mm boşluk olacak şekilde ayarlayın.   |
|   | Hava temizleyici elemanı kirlidir.                                     | Hava temizleyici elemanını temizleyin: bkz. MOTOR KULLANMA KILAVUZU.   |
| Motor rölantide yanlış çalışıyor.                       | Hava temizleyici elemanı kirlidir.                                     | Hava temizleyici elemanını temizleyin: bkz. MOTOR KULLANMA KILAVUZU.   |
|   | Motor kapağındaki hava delikleri tıkalıdır.                            | Deliklerdeki pislikleri temizleyin.  |
|   | Soğutma kanatları ve motor fanının altındaki hava geçişleri tıkalıdır. | Soğutma kanatlarındaki ve hava geçişlerindeki pisliği temizleyin.  |
| Motor yüksek devirde doğru çalışmıyor.                  | Buji elektrotları arasındaki boşluk çok azdır.                         | Boşluğu elektrotlar arasında 0,7 ila 0,8 mm boşluk olacak şekilde ayarlayın.   |
| Motor aşırı ısınıyor.                                   | Soğutma havası debisi yetersizdir.                                     | Motor kapağındaki, fan muhafazasındaki ve hava geçişlerindeki deliklerdeki pislikleri temizleyin.  |
|   | Buji hatalıdır.  | Motora RJ19LMC buji ve soğutma kanatları takın.  |
| Çim biçme makinesi aşırı derecede titreşimli çalışıyor. | Kesme tertibatı gevşektir.   | Bıçağı sıkın.  |
|   | Kesme tertibatı dengesizdir.   | Bıçağı dengeleyin.   |

## 14. ÇEVRE

Uzun süre kullandıktan sonra makinenin değiştirilmesi gerekirse, makineyi normal ev çöprüyle birlikte atmayın, çevreye zarar vermeyecek bir şekilde bertaraf edin.

### Yalnızca Avrupa ülkeleri için

#### AT Uygunluk Beyanı

**Makita Corporation, sorumlu üretici firma olarak, Makita marka makine/makineler ile ilgili şu hususları beyan eder:**

Makinenin Adı: Benzinli çim biçme makinesi  
 Model Numarası / Tipi: PLM4621, PLM4622  
 Teknik Özellikler: Bkz. "4. Teknik Bilgiler"  
 seri üretimdir ve



**Őu Avrupa Yönergelerine uygundur:**

2006/42/EC, 2004/108/EC,

2000/14/EC ve 2005/88/EC

Ve Őu standartlara veya standartlaŐtırılmıŐ belgelere uygun olarak üretilmiŐtir:

EN836, EN ISO14982

Teknik dokümanlar aŐađıda bilgileri verilen Avrupa'daki yetkili temsilcimiz tarafından saklanmaktadır:

Makita International Europe Ltd.,

Michigan, Drive, Tongwell,

Milton Keynes, MK15 8JD, İngiltere

2000/14/EC sayılı Direktif tarafından istenen uygunluk deđerlendirme prosedürü, Ek VI'e uygundur.

Onaylayan Kurum:

TÜV SÜD Industrie Service GmbH

Westendstraße 199, D-80686 München

Tanım numarası: 0036

PLM4621 Modeli

Ölçülen Ses Gücü Düzeyi: 93,1 dB

Garanti Edilen Ses Gücü Düzeyi: 96 dB

PLM4622 Modeli

Ölçülen Ses Gücü Düzeyi: 92,3 dB

Garanti Edilen Ses Gücü Düzeyi: 96 dB

11. 11. 2011



Tomoyasu Kato

Müdür

Makita Corporation

3-11-8, Sumiyoshi-cho,

Anjo, Aichi, JAPAN

**Förklaring till översiktsciklarna**

- |  |                            |                                  |
|--|----------------------------|----------------------------------|
| 1. Övre handtag                          | 6. Styrning för startsnöre | 12. Oljelock                     |
| 2. Stoppkontrollhandtag                  | 7. Gräsuppsamlare          | 13. Kabelhake                    |
| 3. Kontrollhandtag för självgående drift | 8. Höjdställningsspak      | 14. Läsrott                      |
| 4. Gasreglage                            | 9. Klippdäck               | 15. Spak för hastighetsreglering |
| 5. Starthandtag                          | 10. Tändstift              |                                  |
|  | 11. Tanklock               |                                  |



**VARNING:**

Var god och läs igenom bruksanvisningen för din egen säkerhet innan du använder din nya maskin. I annat fall kan det leda till allvarlig personskada. Ägna dig en stund åt att lära dig hur gräsklipparen fungerar före varje användning.

**1. SYMBOLER MÄRKTA PÅ PRODUKTEN**



Läs igenom bruksanvisningen.



Håll åskådare borta.



Var mer uppmärksam på dina händer och fötter för att undvika olyckor.



Giftiga avgaser. Kör inte motorn inomhus.



Bränsle är lättantändligt, håll det borta från eld. Tanka inte med motorn igång.



Vid gräsklippning, var god och bär skyddsglasögon och öronproppar för att skydda dig själv.



Vid reparation, var god och ta bort tändstiftet och reparera sedan maskinen enligt bruksanvisningen.



Försiktigt! Het motor.



Släpp strömbrytarhandtaget för att stoppa motorn.



Ta tag i kontrollhandtaget för självgående drift för att gå framåt.

**2. ALLMÄNNA SÄKERHETSANVISNINGAR**



**VARNING:** Vid användning av bensindrivna maskiner ska alltid grundläggande säkerhetsföreskrifter, inklusive följande, efterlevas för att minska risken för allvarlig personskada och/eller skada på maskinen. Läs igenom alla dessa instruktioner innan du använder denna produkt och behåll instruktionerna för framtida bruk.



**VARNING:** Maskinen bildar ett elektromagnetiskt fält omkring sig under användningen. Under vissa förhållanden kan detta fält störa aktiva eller passiva medicinska implantat. För att minska risken för allvarlig eller dödlig skada, rekommenderar vi personer med medicinskt implantat att konsultera sin läkare och tillverkaren av det medicinska implantatet innan de använder maskinen.

**Utbildning**

- Läs noggrant igenom instruktionerna. Vänj dig vid manöverkontrollerna och den korrekta användningen av utrustningen.
- Låt aldrig gräsklipparen användas av barn eller av personer som inte känner till dessa instruktioner. Lokala bestämmelser kan ange en åldersgräns för användaren.
- Använd aldrig gräsklipparen när personer (speciellt barn) eller djur finns i närheten.
- Glöm inte att användaren är ansvarig för olyckor eller eventuell fara gentemot andra personer och deras egendom.

## Förberedelse

- Bär alltid kraftiga skor och långbyxor när gräset klipps. Använd inte utrustningen barfota eller med öppna skor.
- Kontrollera noggrant hela arbetsområdet och ta bort alla föremål som skulle kunna kastas ut från maskinen.
- **VARNING** - Bensin är mycket lättantändligt.
  - förvara bränsle i behållare som är avsedda för detta syfte;
  - tanka endast utomhus och rök inte vid tankningen;
  - tanka innan motorn startas. Ta aldrig bort tanklocket eller tanka medan motorn körs eller när motorn är het;
  - försök inte att starta motorn om du har spillt bensin, utan rulla bort maskinen från det området och undvik att skapa någon form av antändning förrän bensinångorna dunst;
  - tillslut tanklock och bränslebehållare säkert.
- Byt ut trasiga ljuddämpare.
- Utför alltid en visuell inspektion innan användningen för att kontrollera att knivar, knivbultar och skärare inte är utnötta eller skadade. Ersätt samtliga utnötta eller skadade knivar och bultar i hela satser så att balansen bibehålls.

## Användning

- Kör inte motorn i ett begränsat utrymme där farlig koloxid kan ansamlas.
- Klipp endast i dagsljus eller i god belysning.
- Undvik om det är möjligt att använda utrustningen i vått gräs.
- Se alltid till att ha balans på sluttningar.
- Gå, spring aldrig.
- För hjulförsedda roterande maskiner: klipp tvärs över sluttande terräng, aldrig upp och ner.
- Var särskilt försiktig vid byte av riktning i sluttande terräng.
- Klipp inte på väldigt branta ytor.
- Var särskilt försiktig när du vänder eller drar gräsklipparen emot dig.
- Stoppa kniven/knivarna om gräsklipparen måste lutas för att transporteras över gräsfria ytor och när gräsklipparen transporteras till och från ytan där gräset ska klippas.
- Använd aldrig gräsklipparen med trasiga skyddsanordningar eller utan säkerhetsutrustning som t ex stenskydd och/eller gräsuppsamlare.
- Ändra inte inställningen av motorns varvtalsregulator eller övervarva motorn.
- Frikoppla alla kniv- och drivkopplingar innan du startar motorn.
- Starta motorn omsorgsfullt enligt instruktionerna och med fötterna på bra avstånd från kniven/knivarna.
- Luta inte gräsklipparen när du startar motorn.
- Starta inte motorn när du står framför gräsutkastningsöppningen.
- Placera inte händer och fötter i närheten eller under roterande delar. Stå alltid långt ifrån gräsutkastningsöppningen.
- Lyft aldrig upp eller bär gräsklipparen med motorn igång.
- Stoppa motorn och lossa tändkabeln, kontrollera att alla rörliga delar har stannat helt och ta bort tändningsnyckeln där det finns en:

- innan du tar bort något som fastnat eller rensar utkastningsrännan;
  - innan gräsklipparen kontrolleras, rengörs eller något arbete utförs på den;
  - om du slagit emot ett främmande föremål. Kontrollera gräsklipparen om det uppstått skador och utför reparationer innan maskinen startas och används på nytt;
  - om gräsklipparen börjar vibrera onormalt (kontrollera omedelbart).
- Stoppa motorn och lossa tändkabeln, kontrollera att alla rörliga delar har stannat helt och ta bort tändningsnyckeln där det finns en:
    - när du lämnar gräsklipparen utan uppsikt;
    - innan tankning.
  - Minska gaspådraget när motorn ska stängas av och, om motorn är försedd med en avstängningsventil, stäng av bränsletillförseln i slutet av klippningen.
  - Använd gräsklipparen endast för det ändamål den är avsedd för dvs att klippa och samla ihop gräs. All annan användning kan vara farlig och orsaka skada på maskinen.

## Underhåll och förvaring

- Se till att alla muttrar, bultar och skruvar är åtdragna för att alltid bibehålla utrustningen i säkert arbetsskick.
- Förvara aldrig utrustningen med bensin i tanken i en byggnad där ångor kan komma i kontakt med öppen eld eller gnistor.
- Låt motorn svalna innan du förvarar den i ett slutet utrymme.
- För att minska brandrisken ska motorn, ljuddämparen, batterikomponenten och utrymmet där bensinen förvaras hållas fria från gräs, löv eller för mycket smörjmedel.
- Kontrollera gräsuppsamlaren ofta så att den inte är utnött eller försämrad.
- Byt ut utnötta eller skadade delar för säker användning.
- Om bränsletanken måste tömmas ska det göras utomhus.



**VARNING:** Rör inte roterande kniv.



**VARNING:** Tanka i ett välventilerat utrymme med motorn avstängd.

## 3. BESKRIVNING AV DELAR (Fig. 1 och 2)

### Inkluderar

- A: Tändstiftsnyckel
- B: Bioklippningskil

## 4. TEKNISK DATA

| Modell                               | PLM4621                    | PLM4622                     |
|--------------------------------------|----------------------------|-----------------------------|
| Motortyp                             | B&S 650E serie, ReadyStart | B&S 675EX serie, ReadyStart |
| Självgående                          | Ja                         | Ja                          |
| Slagvolym                            | 190 cc                     | 190 cc                      |
| Knivbredd                            | 460 mm                     | 460 mm                      |
| Tomgångsvarvtal                      | 2 800/min                  | 2 800/min                   |
| Bränsletanksvolym                    | 1,0L                       | 1,0L                        |
| Oljetanksvolym                       | 0,6L                       | 0,6L                        |
| Kapacitet för gräsupsamlarbehållaren | 60L                        | 60L                         |
| Nettovikt                            | 33,8 kg                    | 35,4 kg                     |
| Höjdställning                        | 20-75 mm, 5 lägen          | 20-75 mm, 5 lägen           |
| Buller enligt EN836                  |                            |                             |
| Ljudtrycksnivå ( $L_{pA}$ ):         | 81,5 dB (A)                | 83,1 dB (A)                 |
| Ljudeffektsnivå ( $L_{wA}$ ):        | 93,1 dB (A)                | 92,3 dB (A)                 |
| Måttolerans (K):                     | 2,41 dB (A)                | 2,75 dB (A)                 |
| Vibration enligt EN836               |                            |                             |
| Vibrationsemission ( $a_h$ ):        | 6,4 m/s <sup>2</sup>       | 7,5 m/s <sup>2</sup>        |
| Måttolerans (K):                     | 1,5 m/s <sup>2</sup>       | 1,5 m/s <sup>2</sup>        |

## 5. MONTERING

### 5-1 MONTERA DET FÄLLBARA HANDTAGET

- Fäst de nedre handtagsstängerna i klippdäcket med låsrattarna såsom visas. (Fig. 3, Fig. 4, Fig. 5, Fig. 6)
- Fäll ut de övre handtagsstängerna. Fäst handtagets övre och undre del med låsratten. (Fig. 7, Fig. 8)
- Placera alla kablar över handtagsskaften. Kläm fast dem runt de nedre handtagens mitt med kabelhakarna så att kablarna är fästa på utsidan av maskinen. I annat fall kan kablarna nypas fast när stenskyddet öppnas/stängs eller tas tag i när det övre handtaget viks ihop. (Fig. 9)

### 5-2 MONTERA GRÄSUPPSAMLAREN

- Fastsättning: Lyft stenskyddet och kroka fast gräsupsamlaren på skaftet på gräsklipparens baksida. (Fig. 10, Fig. 11)
- Borttagning: Ta tag i och lyft upp stenskyddet, ta bort gräsupsamlaren.

### 5-3 STARTHANDTAG

Flytta starthandtaget från motorn till styrningen för startsnöret. (Fig. 12, Fig. 13)

### 5-4 KLIPPHÖJD

Tryck ut spaken för att frigöra den från stället. Flytta spaken framåt eller bakåt för att justera höjden. (Fig. 14 och se paragraf 8-9)

## 6. INSTÄLLNING AV EN PASSANDE HÖJD

- Dra ut låsratten som fäster det lägre handtaget, se Fig. 15.

- Se Fig. 16, flytta det lägre handtaget upp och ner, och justera det till passande höjd.  
Det finns 3 höjdlägen som du kan välja mellan på denna typ av gräsklippare. Vid läge 1 sänks handtaget till marken vilket är det högsta läget. Läge 3 är det lägsta.
- Ställ in passande höjd och fäst sedan det nedre handtaget med låsrattarna.



**WARNING:** Vänster och höger sida på det lägre handtaget måste ställas in på samma höjd.

## 7. GRÄSKLIPPARE MED BIOKLIPP

Vad är bioklipp?

Vid bioklipp klipps gräset i ett arbetssteg, därefter finhackas det och går tillbaka till gräsmattan som naturligt gödningsmedel.

Tips för bioklippning:

- Regelbunden nedklippning av max. 2 cm bildar 6 cm till 4 cm gräslängd.
- Använd en vass skärkniv.
- Klipp inte vått gräs.
- Ställ in max. motorhastighet.
- Flytta endast i arbetsfart.
- Rengör regelbundet bioklippningskilen, insidan av kåpan och rörlig kniven.



**WARNING:** Endast med en avstängd motor och stillastaende kniv.

1. Lyft upp stenskyddet och ta bort gräsuppsamlaren.
2. Tryck i bioklippningskilen i klippdäcket. Läs bioklippningskilen med knappen i öppningen på klippdäcket. (Fig. 17, Fig. 18)
3. Sänk ner stenskyddet igen.

## 8. ANVÄNDARINSTRUKTIONER

### 8-1 FÖRE START

Serva motorn med bensin och olja enligt instruktionerna i den separata bruksanvisningen för motorn, som medföljer din gräsklippare. Läs noggrant igenom instruktionerna.



**VARNING:** Bensin är mycket lättantändligt.

Förvara bränsle i speciella behållare som är avsedda för detta ändamål.

Tanka endast utomhus innan motorn startas och rök inte medan du fyller på eller hanterar bränslet.

Ta aldrig bort tanklocket eller fyll på med bensin medan motorn körs eller när motorn är het.

Försök inte att starta motorn om du har spillt bensin utan rulla bort maskinen från det området och undvik att skapa någon form av antändning förrän bensinångorna dunstat. Tillslut tanklock och bränslebehållare säkert.

Innan du lutar gräsklipparen för att utföra underhåll på kniven eller tömma ut oljan ska bränslet först tömmas ur tanken.



**VARNING:** Tanka aldrig inomhus, med motorn igång eller förrän motorn har svalnat i minst 15 minuter efter användning.

### 8-2 STARTA MOTORN OCH KOPPLA IN KNIVEN

1. Maskinen är utrustad med en gummihatt över änden på tändstiftet. Kontrollera att metallöglan på tändkabelns ände (inuti gummihatten) sitter fast ordentligt över metallspetsen på tändstiftet.
2. Sätt gasreglaget till läget "☁", vid start av kall motor. Sätt gasreglaget till läget "☁☁", vid start av varm motor och Användning. (Fig. 19)
3. Stå bakom gräsklipparen och ta tag i stoppkontrollhandtaget och håll det emot det övre handtaget, såsom visas i Fig. 20.
4. Ta tag i starthandtaget såsom visas i Fig. 20 och dra upp det snabbt. För tillbaka det sakta till styrningsläset efter det att motorn startat. Släpp stoppkontrollhandtaget för att stoppa motorn och kniven.



Starta motorn omsorgsfullt enligt instruktionerna och med fötterna på bra avstånd från kniven.



Luta inte gräsklipparen när motorn startas. Starta gräsklipparen på ett plant underlag, fritt från högt gräs och hinder.



Håll händer och fötter borta från roterande delar. Starta inte motorn när du står framför gräsutkastningsöppningen.

### 8-3 ANVÄNDNINGSPROCEDURER

Håll stoppkontrollhandtaget hårt med båda händerna under användning.



**Obs:** När stoppkontrollhandtaget släpps under användning, stoppar motorn vilket stoppar gräsklipparen för drift.

### 8-4 STOPPA MOTORN



**FÖRSIKTIGHET:** Kniven fortsätter att rotera i några sekunder efter det att motorn har stängts av.

1. Släpp stoppkontrollhandtaget för att stoppa motorn och kniven.
2. Lossa och jorda tändkabeln enligt instruktion i den separata bruksanvisningen för motorn, för att förebygga oavsiktlig start medan utrustningen inte är under uppsikt.

### 8-5 ANSLUTNING FÖR AUTOMATISK FÖRFLYTNING

#### För PLM4621

Ta tag i kontrollhandtaget för självgående drift.

Gräsklipparen kommer då att automatiskt rulla framåt cirka 1 m/s. Om du släpper kontrollhandtaget, stoppar motorn.

#### För PLM4622

Gräsklipparen är utrustad med ett system för hastighetsreglering som kan justera 3 hastigheter från 3,0 km/t till 4,5 km/t.

Följ dessa steg:

1. Släpp kontrollhandtaget för självgående drift tills gräsklipparen inte rör sig framåt.
2. Reglera till önskad hastighet.
3. Ta tag i kontrollhandtaget för självgående drift för att fortsätta klippa. (Fig. 21)



**FÖRSIKTIGHET:** Din gräsklippare är konstruerad för att klippa normalt trädgårdsgräs som inte är högre än 250 mm.

Försök inte att klippa mycket högt torrt/blött gräs (t ex betesmark) eller högar av torra löv. Spillror kan byggas upp på klippdäcket eller komma i kontakt med avgasröret och skapa en möjlig brandrisk.

### 8-6 FÖR BÄSTA RESULTAT VID BIOKLIPPING

Rensa gräsmattan från skräp. Kontrollera gräsmattan så att den är fri från stenar, kvistar, kablar eller andra främmande material som oavsiktligt kan kastas ut av gräsklipparen i olika riktningar och orsaka användaren eller andra allvarig skada, liksom skada på egendom och omgivande föremål. Klipp inte vått gräs. För effektiv bioklippning ska gräset inte klippas vått därför att det tenderar att fastna på undersidan av klippdäcket, vilket förhindrar korrekt bioklippning av gräset. Klipp inte mer än 1/3 av grässets längd.

Den rekommenderade klippningen för bioklippning är 1/3 av grässets längd. Hastigheten måste justeras så att det avklippta gräset fördelas jämnt på gräsmattan. För särskilt

tung klippning i tjockt gräs kan det vara nödvändigt att använda en av de långsamma hastigheterna för att få en ren och bra bioklippning. Vid bioklippning av långt gräs måste du kanske klippa gräsmattan i två omgångar och sänka kniven ytterligare 1/3 för den andra klippningen, och kanske klippa i en annan riktning än första gången. Att överlappa klippningen lite varje gång hjälper också till att städa upp spritt avklippt gräs som blivit kvar på gräsmattan. Gräsklipparen ska alltid användas med fullt gaspådrag för att få den bästa klippningen och att låta den göra det mest effektiva bioklippningsjobbet. Rengör undersidan av klippdäcket.

Se till att rengöra undersidan av klippdäcket efter varje användning för att undvika att gräs byggs upp, vilket skulle förhindra korrekt bioklippning. Bioklippning av löv. Bioklippning av löv kan också vara välgörande för din gräsmatta. Vid bioklippning av löv är det viktigt att se till att löven är torra och inte ligger i för tjockt lager på gräsmattan. Vänta inte på att alla löven ska ha fällt innan du bioklipper.



**VARNING:** Om du slår emot ett främmande föremål, stänga av motorn. Ta bort tändkabeln och inspektera gräsklipparen nog så att det inte uppstått några skador och reparera eventuell skada innan du startar om och använder gräsklipparen. Om gräsklipparen vibrerar onormalt under användning tyder det på skada. Maskinen ska omedelbart kontrolleras och repareras.

## 8-7 GRÄSUPPSAMLARE

Töm och rengör behållaren och kontrollera att den är ren och att dess galler inte är igentäppt. (Fig. 22)

## 8-8 KLIPPDÄCK

Undersidan av gräsklipparen ska rengöras efter varje användning för att förhindra uppbyggnad av klippt gräs, löv, smuts och annat material. Om dessa spillror tillåts att ansamlas kommer det att bildas rost och anfrätningar samt förhindra korrekt bioklippning. Klippdäcket kan rengöras genom att luta gräsklipparen och skrapa rent med ett passande verktyg (kontrollera att tändkabeln inte är ansluten).

## 8-9 INSTRUKTIONER FÖR HÖJDINSTÄLLNING



**FÖRSIKTIGHET:** Utför aldrig någonsin några justeringar på gräsklipparen utan att först stänga av motorn och ta bort tändkabeln.



**FÖRSIKTIGHET:** Innan du ändrar klipphöjden ska motorn stängas av och tändkabeln kopplas bort. Din gräsklippare är utrustad med en central höjdställningsspak som erbjuder 5 höjdlägen.

1. Stanna gräsklipparen och koppla bort tändkabeln innan du ändrar klipphöjden.
2. Den centrala höjdställningsspaken erbjuder dig 5 olika höjdlägen.
3. För att ändra klipphöjden ska du trycka höjdställningsspaken mot hjulet och föra den upp

eller ner för att välja höjd. (Fig. 23) Alla hjulen kommer att placeras på samma klipphöjd.

## 9. UNDERHÅLLSINSTRUKTIONER

### TÄNDSTIFT

Använd endast originaltändstift. Byt ut tändstiftet var 100:e användningstimme för bästa resultat. (se BRUKSANVISNINGEN FÖR MOTORN)

## 10. INSTRUKTIONER FÖR SMÖRJNING



**FÖRSIKTIGHET:** KOPPLA BORT TÄNDKABELN FÖRE SERVICE.

1. HJUL-Smörj kullagren i varje hjul åtminstone en gång per säsong med en tunn olja.
2. MOTOR-Följ smörjningsinstruktioner i motorns bruksanvisning.
3. KNIVKONTROLL-Smörj leder på knivkontrollhandtaget och bromskabeln åtminstone en gång per säsong med tunn olja. Knivkontrollen måste fungera fritt i båda riktningarna.

## 11. RENGÖRING



**FÖRSIKTIGHET:** Spola inte motorn med vattenslang. Vatten kan skada motorn eller kontaminera bränslesystemet.

1. Torka av klippdäcket med en torr trasa.
2. Spola under klippdäcket genom att luta gräsklipparen så att tändstiftet är uppåt.

### 11-1 MOTORNS LUFTRENARE



**FÖRSIKTIGHET:** Låt inte smuts eller damm täppa igen luftfiltrets skumplast.

Motorns luftrenare måste servas (rengöras) efter 25 timmars normal klippning. Skumplasten måste servas regelbundet om gräsklipparen används under torra och dammiga förhållanden. (se BRUKSANVISNINGEN FÖR MOTORN)

### RENGÖRING AV LUFTFILTER

1. Ta bort skruven.
2. Ta bort skyddet.
3. Tvätta filtret i tvålatten. **ANVÄND INTE BENSIN!**
4. Lufttorka filtret.
5. Sätt några droppar SAE30-olja på luftfiltrets skumplast och krama ihop hårt för att ta bort överskott av olja.
6. Montera tillbaka filtret.



**OBS:** Byt ut filtret om det är nött, trasigt, skadat eller inte går att rengöra. (Fig. 24)

## 11-2 KNIVBLAD



**FÖRSIKTIGHET:** Se till att koppla bort och jorda tändkabeln innan du utför arbete på knivbladet för att förebygga oavsiktlig start av motorn. Skydda händer genom att använda grova handskar eller en trasa för att ta tag i knivbladen.

Luta gräsklipparen enligt anvisning i den separata bruksanvisningen för motorn. Ta bort sexkantsbulten och brickan som fäster kniven och knivadaptern till motorns vevaxel. Ta bort kniven och adaptern från vevaxeln.



**VARNING:** Kontrollera knivadaptern då och då så att det inte uppstått sprickor, särskilt om du slagit emot ett främmande föremål. Byt ut vid behov.

För bästa resultat ska kniven vara vass. Kniven kan slipas på nytt genom att ta bort den och antingen slipa eller fila klippändarna och bevara originalvinkeln så bra som möjligt. Det är extremt viktigt att varje klippande blir lika mycket slipad för att förebygga en obalanserad kniv. Felaktig knivbalans leder till mycket vibrationer som orsakar skada på motorn och gräsklipparen. Se till att noggrant balansera kniven efter slipningen. Kniven kan balanseras genom att balansera den på en rundskaffad skruvmejsel. Ta bort metall från den tunga sidan till den är i balans. (Fig. 25)

Innan du monterar tillbaka kniven och dess adapter på enheten ska motorns vevaxel och insidan på knivadaptern smörjas med en tunn olja. Montera knivadaptern på vevaxeln med "stjärnan" bort från motorn. See Fig. 25. Placera kniven med delnumret riktat bort från adaptern. Placera brickan rakt över hålet i kniven och sätt i sexkantsbulten. Fäst sexkantsbulten till de vridmoment som finns i listan nedan.

## 11-3 VRIDMOMENT FÖR KNIVMONTERING

Mittbulten måste dras åt till 35 - 45 Nm vridmoment. För att försäkra säker användning av din maskin, måste.

ALLA muttrar och bultar kontrolleras periodiskt för korrekt åtdragning. Efter långvarig användning, speciellt i sandig jord, kommer kniven att slitas och förlora endel av sin ursprungliga skärpa. Klippningen kommer inte att bli lika effektiv och kniven bör bytas ut.

Byt endast ut den mot en fabriksgodkänd reservkniv. Möjlig skada som orsakats av obalanserad kniv går inte under tillverkarens ansvar.

När du byter ut kniven måste du använda originaltypen som är märkt på kniven (MAKITA 263001451) (för att beställa kniven, var god och kontakta din lokala återförsäljare eller ring vårt företag).



**VARNING:** Rör inte roterande kniv.

## 11-4 MOTOR

Se underhållsinstruktionerna i den separata bruksanvisningen för motorn.

Underhåll motoroljan enligt instruktion i en den separata bruksanvisningen för motorn, som medföljer din maskin. Läs igenom och följ instruktionerna noggrant.

Serva luftrenaren under normala förhållanden enligt den separata bruksanvisningen för motorn. Rengör var och varannan timme under extremt dammiga förhållanden.

Dålig motorprestanda och överfyllning tyder vanligtvis på att luftrenaren ska servas.

Se den separata bruksanvisningen för motorn som medföljer din maskin, för hur luftfiltret ska rengöras.

Tändstiftet ska rengöras och elektrodgapet återställas en gång per säsong. Utbyte av tändstift rekommenderas vid varje ny säsongstart. Kontrollera motorns bruksanvisning för korrekt tändstiftsart och instruktioner om elektrodgapet.

Rengör motorn regelbundet med en trasa eller borste. Håll kylsystemet (området kring fläktuset) rent för att tillåta ordentlig luftcirkulation, vilket är nödvändigt för motorns prestanda och liv. Var säker på att du får bort allt gräs, smuts och brännbara spillror från ljuddämparen.

## 12. FÖRVARINGSINSTRUKTIONER (AVSTÄLLNING)

Följande steg ska tas för att förbereda gräsklipparen inför förvaring.

1. Vid den sista gräsklippningen för säsongen ska du låta bränsletanken köras tom.
2. Rengör och smörj gräsklipparen noggrant enligt beskrivning under smörjningsinstruktionerna.
3. Se motorns bruksanvisning för korrekta instruktioner för förvaring av motorn.
4. Täck gräsklipparens blad med ett tunt lager chassi-smörjmedel för att förhindra rostning.
5. Förvara gräsklipparen på en torr och ren plats.



**OBS:**

- Vid förvaring av alla typer av elektrisk utrustning i ett förråd som är oventilerat eller med annat material;
- Ska utrustningen vårdas för att inte rosta. Täck utrustningen med en tunn olja eller med silikon, speciellt kablar och alla rörliga delar.
- Var försiktig så att du inte böjer eller traslar till kablarna.
- Om startsnöret hamnar utanför styrningen på handtaget ska du koppla bort och jorda tändkabeln, tryck ner kontrollhandtaget för kniven och sakta dra ut startsnöret från motorn. Låt startsnöret glida in i styrningslåset på handtaget.

## 13. FELSÖKNING

| PROBLEM                                  | SANNOLIK ORSAK  | ÅTGÄRD   |
|--|---|--|
| Motorn startar inte.                     | Choken är inte i rätt läge för rådande förhållanden.                | Flytta choken till rätt läge.  |
|  | Bränsletanken är tom.   | Fyll tanken med bränsle: se MOTORNS BRUKSANVISNING.  |
|  | Luftrenaren är smutsig.   | Rengör luftrenaren: se MOTORNS BRUKSANVISNING.   |
|  | Tändstiftet är löst.  | Dra åt tändstiftet till 25 - 30 Nm.  |
|  | Tändkabeln är lös eller bortkopplad från pluggen.                   | Montera tändkabeln på tändstiftet.   |
|  | Elektroddgapet på tändstiftet är felaktigt.                         | Sätt gapet mellan elektroderna vid 0,7 till 0,8 mm.  |
|  | Trasigt tändstift.  | Montera ett nytt, korrekt elektroddgap: se MOTORNS BRUKSANVISNING.   |
|  | Förgasaren är översvämmad med bränsle.                              | Ta bort luftrenaren och dra i startsnöret kontinuerligt tills förgasaren rengör sig själv och montera sedan luftrenaren. |
|  | Felaktigt tändningsmodul.   | Kontakta Makitas auktoriserade servicecenter.  |
| Motorn är svårstartad eller verkar svag. | Smutsig, vattenfylld eller sliten bränsletank.                      | Töm ut bränslet och rengör tanken. Fyll tanken med rent och fräscht bränsle.   |
|  | Ventilationshålet i bränsletankslocket är blockerat.                | Rengör eller byt ut bränsletankslocket.  |
|  | Luftrenaren är smutsig.   | Rengör luftrenaren.  |
| Motorn arbetar oregelbundet.             | Tändstiftet är trasigt.   | Montera ett nytt, korrekt elektroddgap: se MOTORNS BRUKSANVISNING.   |
|  | Elektroddgapet på tändstiftet är felaktigt.                         | Sätt gapet mellan elektroderna vid 0,7 till 0,8 mm.  |
|  | Luftrenaren är smutsig.   | Rengör luftrenaren: se MOTORNS BRUKSANVISNING.   |
| Motorn går dåligt på tomgång.            | Luftrenaren är smutsig.   | Rengör luftrenaren: se MOTORNS BRUKSANVISNING.   |
|  | Luftspringor i motorhöljet är blockerade.                           | Ta bort skräp från springorna.   |
|  | Kylflänsar och luftpassager under motorns fläkthuset är blockerade. | Ta bort skräp från kylflänsarna och luftpassagera.   |
| Motorn hackar vid hög hastighet.         | Gapet mellan tändstiftets elektroder är för tätt.                   | Sätt gapet mellan elektroderna vid 0,7 till 0,8 mm.  |
| Motorn överhettas.                       | Kylande luftflödet är begränsat.                                    | Ta bort skräp från springorna i höljet, fläkthuset, luftpassagera.   |
|  | Felaktigt tändstift.  | Montera RJ19LMC tändstift och kylflänsar på motorn.  |
| Gräsklipparen vibrerar onormalt.         | Klippmonteringen är lös.  | Dra åt kniven.   |
|  | Klippmonteringen är obalanserad.                                    | Balansera kniven.  |

## 14. MILJÖ

Skulle du behöva byta ut din maskin efter långvarig användning får du inte slänga den i hushållssoporna utan avfallshantera den på ett miljövänligt sätt.

### Gäller endast Europa

#### EU-deklaration om överensstämmelse

**Vi Makita Corporation som ansvarig tillverkare deklarerar här med att följande maskin(er) från Makita:**

Maskinbeteckning: Bensindriven gräsklippare  
 Modellnr./typ: PLM4621, PLM4622  
 Specifikationer: Se "4. Teknisk data"  
 ingår i serieproduktion och



**uppfyller följande Europeiska direktiv:**

2006/42/EU, 2004/108/EU,  
2000/14/EU och 2005/88/EU

Och är tillverkade enligt följande standarder eller  
standardiseringsdokument:

EN836, EN ISO14982

Den tekniska dokumentationen förs av vår auktoriserade  
representant i Europa som är:

Makita International Europe Ltd.,  
Michigan, Drive, Tongwell,  
Milton Keynes, MK15 8JD, England

Konformitetsgodkännandet som krävs av direktivet 2000/  
14/EG har utförts av Annex VI.

Anmält organ:

TÜV SÜD Industrie Service GmbH  
Westendstraße 199, D-80686 München  
Identifikationsnummer: 0036

Modell PLM4621

Uppmätt ljudeffektnivå: 93,1 dB  
Garanterad ljudeffektnivå: 96 dB

Modell PLM4622

Uppmätt ljudeffektnivå: 92,3 dB  
Garanterad ljudeffektnivå: 96 dB

11. 11. 2011



Tomoyasu Kato  
Direktör  
Makita Corporation  
3-11-8, Sumiyoshi-cho,  
Anjo, Aichi, JAPAN

**Forklaring til generel oversigt**

- |                       |                       |                            |
|-----------------------|-----------------------|----------------------------|
| 1. Øverste håndtag    | 6. Gennemføring       | 11. Brændstofdæksel        |
| 2. Stopkontrolhåndtag | 7. Græssæk            | 12. Olliedæksel            |
| 3. Kørehåndtag        | 8. Højdejusteringsarm | 13. Kabelklemme            |
| 4. Motorhastighedsarm | 9. Klippeskjold       | 14. Låsegreb               |
| 5. Starthåndtag       | 10. Tændrør           | 15. Hastighedsjusteringarm |



**ADVARSEL**

For din egen sikkerheds skyld skal du læse denne brugsanvisning igennem, inden du anvender din nye enhed. Hvis du ikke følger instruktionerne, kan det medføre alvorlig personskade. Brug nogle få øjeblikke på at lære plæneklipperen at kende hver gang inden brug.



Slip kontakthåndtaget for at stoppe motoren.



Grib fat om kørehåndtaget for at køre fremad.

**1. SYMBOLER PÅ PRODUKTET**



Læs brugsanvisningen.



Hold andre tilstedeværende på afstand.



Vær meget opmærksom på hænder og fødder for at undgå personskader.



Giftige dampe. Må ikke anvendes indendørs.



Brændstof er letantændeligt, så hold afstand til åben ild. Påfyld ikke brændstof på en kørende maskine.



Under græsklipning skal operatøren anvende beskyttelsesbriller og ørepropper for at beskytte sig selv.



Ved reparation fjernes tændrøret først, hvorefter reparationen udføres i henhold til brugsanvisningen.



Forsigtig: Motoren er varm.

**2. GENERELLE SIKKERHEDSREGLER**



**ADVARSEL:** Ved anvendelse af benzindrevne maskiner skal de grundlæggende forholdsregler, inklusive de følgende, altid overholdes for at reducere risikoen for personskade og/eller beskadigelse af enheden. Læs alle disse instruktioner inden anvendelse af dette produkt og gem instruktionerne, så du altid har dem.



**ADVARSEL:** Denne maskine frembringer et elektromagnetisk felt under anvendelse. Under visse omstændigheder kan dette felt interferere med aktive eller passive medicinske implantater. For at reducere risikoen for alvorlige eller fatale skader anbefaler vi, at personer med medicinske implantater konsulterer deres læge og producenten af de medicinske implantater inden anvendelse af denne maskine.

**Træning**

- Læs omhyggeligt instruktionerne igennem. Gør dig bekendt med betjeningen og den korrekte anvendelse af udstyret.
- Lad aldrig børn eller personer, som ikke har kendskab til disse instruktioner, anvende plæneklipperen. Lokale bestemmelser kan sætte begrænsninger for brugerens alder.
- Klip aldrig græs mens der er personer, især børn, eller kæledyr i nærheden.
- Vær opmærksom på, at operatøren eller brugeren er ansvarlig for ulykker eller farlige situationer, der måtte opstå mod andre personer eller deres ejendele.

**Forberedelse**

- Bær altid robust fodtøj og lange bukser under plæneklipning. Anvend ikke maskinen med bare fødder eller åbne sandaler.
- Gennemgå grundigt det område hvor maskinen skal anvendes, og fjern alle de genstande der kan blive kastet ud af maskinen.
- **ADVARSEL-** Benzin er meget brandfarligt.

- opbevar brændstof i beholdere, som er særligt beregnet til dette formål;
- påfyld kun brændstof udendørs og ryg ikke under påfyldningen;
- påfyld brændstof inden start af motoren. Tag aldrig dækslet af brændstoftanken eller påfyld benzin, mens motoren kører, eller når motoren er varm;
- hvis der spildes benzin, skal du ikke forsøge at starte motoren, men flytte maskinen væk fra det sted, hvor der blev spildt, og undgå alt der kan være kilde til antændelse, indtil benzindampene er fordampet;
- husk at skrue dæksler ordentligt på alle brændstoftanke og beholdere.
- Udskift defekte støjdæmpere.
- Inden brug skal du altid se efter slid eller skader på knivene, knivboltene og knivmonteringen. Udskift slidte eller beskadigede knive og bolte sætvis for at opretholde balancen.
- Inden kontrol, rengøring eller arbejde på plæneklipperen;
- Efter du har ramt et fremmedlegeme. Kontroller plæneklipperen for skader og udfør reparationer inden start eller betjening af plæneklipperen;
- Hvis plæneklipperen begynder at vibrere unormalt (kontroller straks).
- Stands motoren og afbryd tændrørskablet, sørg for at alle bevægelige dele er fuldstændigt stoppet og fjern nøglen i tilfælde af, at der anvendes en nøgle:
  - Når du forlader plæneklipperen;
  - Inden påfyldning af brændstof.
- Reducer gasindstillingen under nedlukning af motoren og sluk for brændstoffet efter endt plæneklipning, hvis motoren er udstyret med en lukkeventil.
- Brug kun plæneklipperen til det formål den er designet til, dvs. til klipning og indsamling af græs. Andre former for brug kan være farlig og forårsage skader på maskinen.

## Betjening

- Anvend ikke motoren på et indelukket sted, hvor der kan ophobes farlige kullittedampe.
- Klip kun græs i dagslys eller under god kunstig belysning.
- Undgå at anvende maskinen i vådt græs, hvor det er muligt.
- Sørg altid for et godt fodfæste på skråninger.
- Gå, løb aldrig.
- Med kørende roterende maskiner skal klipningen foregå på tværs af skråninger og aldrig op og ned.
- Vær meget forsigtig ved retningsændringer på skråninger.
- Klip ikke græs på meget stejle skråninger.
- Vær meget forsigtig, når du bakker eller trækker plæneklipperen ind mod dig selv.
- Stop kniven(e) hvis plæneklipperen skal vippes af hensyn til transport over andre overflader end græs, eller når plæneklipperen transporteres til og fra det område, hvor der skal klippes græs.
- Benyt aldrig plæneklipperen, hvis beskyttelseskærmene er beskadiget eller uden påmonteret sikkerhedsudstyr som f.eks. deflektorer og/eller græsopsamlere.
- Du skal ikke ændre ikke motorens regulatorindstillinger eller overbelaste motoren.
- Afbryd alle kniv- og drivkoblere inden start af motoren.
- Start motoren forsigtigt i henhold til instruktionerne og med fødderne på god afstand af kniven(e).
- Du skal ikke vippe plæneklipperen, når motoren startes.
- Start ikke motoren, mens du står foran græsudkastet.
- Stik ikke hænder eller fødder ind i nærheden af eller under roterende dele. Hold dig altid væk fra udkastningsåbningen.
- Løft eller bær aldrig en plæneklipper, mens motoren kører.
- Stands motoren og afbryd tændrørskablet, sørg for at alle bevægelige dele er fuldstændigt stoppet og fjern nøglen i tilfælde af, at der anvendes en nøgle:
  - Inden fjernelse af hindringer eller rensning af græsudkastet;

## Vedligeholdelse og opbevaring

- Sørg for, at alle møtrikker, bolte og skruer er strammet, så maskinen altid er klar til brug.
- Opbevar aldrig maskiner med benzin i tanken inde i en bygning, hvor dampe kan komme i kontakt med åben ild eller gnister.
- Lad motoren køle af, inden den opbevares på et aflukket sted.
- For at reducere brandrisikoen skal motoren, støjdæmperen, batterirummet og benzinopbevaringsområdet holdes fri for græs, blade og overdrevent meget smøremiddel.
- Kontroller jævnligt græsopsamlere for slid eller beskadigelse.
- Udskift slidte eller beskadigede dele af sikkerhedshensyn.
- Hvis brændstoftanken skal tømmes, skal dette udføres udendørs.



**ADVARSEL:** Rør ikke ved roterende knive.



**ADVARSEL:** Påfyld brændstof på et sted med god ventilation og med motoren standset.

## 3. BESKRIVELSE AF DELE (Fig. 1 og 2)

### Indeholdende

- A: Tændrørsnøgle
- B: Mulching-kile

## 4. TEKNISKE DATA

| Model                          | PLM4621                     | PLM4622                      |
|--------------------------------|-----------------------------|------------------------------|
| Motortype                      | B&S 650E-serien, ReadyStart | B&S 675EX-serien, ReadyStart |
| Selvtræk                       | Ja                          | Ja                           |
| Motorvolumen                   | 190 cc                      | 190 cc                       |
| Knivbredde                     | 460 mm                      | 460 mm                       |
| Tomgangshastighed              | 2.800/min.                  | 2.800/min.                   |
| Kapacitet for brændstoftank    | 1,0 l                       | 1,0 l                        |
| Olietankkapacitet              | 0,6 l                       | 0,6 l                        |
| Kapacitet for græsopsamlerpose | 60 l                        | 60 l                         |
| Nettovægt                      | 33,8 kg                     | 35,4 kg                      |
| Højdejustering                 | 20-75 mm, 5 justeringer     | 20-75 mm, 5 justeringer      |
| Støj i henhold til EN836       |                             |                              |
| Lydtryksniveau ( $L_{pA}$ ):   | 81,5 dB (A)                 | 83,1 dB (A)                  |
| Lydeffektniveau ( $L_{wA}$ ):  | 93,1 dB (A)                 | 92,3 dB (A)                  |
| Usikkerhed (K):                | 2,41 dB (A)                 | 2,75 dB (A)                  |
| Vibration i henhold til EN836  |                             |                              |
| Vibrationsemission ( $a_h$ ):  | 6,4 m/s <sup>2</sup>        | 7,5 m/s <sup>2</sup>         |
| Usikkerhed (K):                | 1,5 m/s <sup>2</sup>        | 1,5 m/s <sup>2</sup>         |

## 5. MONTERING

### 5-1 MONTERING AF FOLDEHÅNDTAGET

- Fastgør de nederste håndtagsstænger til maskinen med låsegrebene som vist. (Fig. 3, Fig. 4, Fig. 5, Fig. 6)
- Udløs de øverste håndtagsstænger, så håndtaget kan foldes sammen. Tilslut det øverste håndtag til det nederste håndtag vha. låsegrebet. (Fig. 7, Fig. 8)
- Placer alle kabler over håndtagsskafterne. Klem dem fast ca. midt på de nederste håndtag med kabelklemmerne, sådan at kablerne er fastgjort på ydersiden af maskinen. Ellers kan kablerne blive klemte, når bagdækslet åbnes/lukkes, eller blive trukket i, når det øverste håndtag foldes sammen. (Fig. 9)

### 5-2 MONTERING AF GRÆSOPSAMLEREN

- Påsætning: Løft bagdækslet op og hæng græsopsamleren bag på plæneklipperen. (Fig. 10, Fig. 11)
- Aftagning: Tag fat og løft op i bagdækslet for tage græsopsamleren af.

### 5-3 STARHÅNDTAG

Flyt starthåndtaget fra motoren til gennemføringen. (Fig. 12, Fig. 13)

### 5-4 KLIPPEHØJDE

Tryk udad for at løsne armen fra tandstangen. Flyt armen fremad eller bagud for at justere højden. (Fig. 14 og se afsnit 8-9)

## 6. JUSTERING AF EN PASSENDE HØJDE

- Se Fig. 15 og skru det låsegreb ud, der fastgør det nederste håndtag.
- Se Fig. 16 og flyt det nederste håndtag op og ned for at justere det på den passende højde. Der kan vælges mellem 3 højdejusteringer på denne type plæneklipper, hvor afstanden fra nederste håndtag til jorden er størst for højde 1, og lavest for højde 3.
- Justér ind på den passende højde og fastgør derefter det nederste håndtag med låsegrebene.



**ADVARSEL:** Det nederste håndtags venstre og højre side skal være justeret ind på den samme højde.

## 7. MULCHING-PLÆNEKLIPPER

Hvad er mulching?

Ved mulching (bioklip) klippes græsset i første arbejdsstrin, derefter findeles det og returneres til græsplænen som naturlig gødning.

Tips angående mulching (bioklip):

- Almindelig klipning af maks. 2 cm fra 6 cm til 4 cm højt græs.
- Brug en skarp kniv.
- Klip ikke i vådt græs.
- Indstil på maksimal motorhastighed.
- Gå kun frem i gå-tempo.
- Rens jævnlige mulching-kilen, indersiden af huset og kniven.



**ADVARSEL:** Kun med en standset motor og stoppet kniv.

1. Løft bagdækslet og fjern græsopsamleren;
2. Tryk mulching-kilen ind i klippeskjoldet. Lås mulching-kilen med knappen ind i åbningen i klippeskjoldet. (Fig. 17, Fig. 18)
3. Sænk bagdækslet igen.

## 8. BETJENINGSINSTRUKTIONER

### 8-1 INDEN DU STARTER

Fyld benzin og olie på motoren som anvist i den separate motorvejledning, der kom sammen med plæneklipperen. Læs omhyggeligt instruktionerne igennem.



**ADVARSEL:** Benzin er meget brandfarligt. Opbevar brændstof i beholdere, som er særligt beregnet til dette formål.

Påfyld kun brændstof udendørs, inden du starter motoren, og undlad at ryge, mens du påfylder eller håndterer brændstof.

Tag aldrig dækslet af brændstoffranken eller påfyld benzin, mens motoren kører, eller når motoren er varm.

Hvis der spildes benzin, skal du ikke forsøge at starte motoren, men flytte maskinen væk fra det sted, hvor der blev spildt, og undgå alle antændelseskilder indtil benzindampene er fordampet.

Husk at skrue dæksler ordentligt på alle brændstoffanke og beholdere.

Inden du vipper plæneklipperen for at vedligeholde kniven eller tømme olien af, skal du tømme tanken for brændstof.



**ADVARSEL:** Fyld aldrig brændstof på brændstoffranken indendørs, med motoren kørende, eller før motoren har fået lov til at køle af i mindst 15 minutter efter brug.

### 8-2 START AF MOTOR OG AKTIVERING AF KNIV

1. Enheden er udstyret med en gummihætte over tændrørret. Sørg for at metalstroppen på tændrørskablet (inde i gummihætten) er ordentligt fastgjort på tændrørrets metalspids.
2. Når du starter en kold motor, skal du dreje motorhastighedsarmen over på positionen "☁". Når du starter en varm motor og under anvendelse, skal du dreje motorhastighedsarmen over på positionen "☁". (Fig. 19)
3. Mens du står bag ved enheden, skal du gribe fat i stopkontrolhåndtaget og holde det ind mod det øverste håndtag som vist i Fig. 20.
4. Grib fat i starthåndtaget som vist i Fig. 20 og træk det hurtigt op. Før det langsomt tilbage til gennemføringsbolten efter motoren er startet. Slip stopkontrolhåndtaget for at standse motoren og kniven.



Start motoren forsigtigt i henhold til instruktionerne og med fødderne på god afstand af kniven.



Du skal ikke vippe plæneklipperen, når motoren startes. Start plæneklipperen på et jævnt underlag, fri for højt græs eller andre hindringer.



Hold hænder og fødder på afstand af de roterende dele. Start ikke motoren, mens du står foran græsudkastet.

### 8-3 BETJENINGSPROCEDURER

Under anvendelse skal du holde godt fast i stopkontrolhåndtaget med begge hænder.



**Bemærk:** Hvis stopkontrolhåndtaget slippes under anvendelsen, standser motoren, og derfor stopper plæneklipperen med at køre.

### 8-4 SÅDAN STANDSES MOTOREN



**FORSIGTIG:** Kniven fortsætter med at rotere nogle få sekunder, efter motoren er slukket.

1. Slip stopkontrolhåndtaget for at standse motoren og kniven.
2. Afbryd og jord tændrørskablet som anvist i den separate motorvejledning for at forhindre utilsigtet start, mens maskinen ikke er under opsyn.

### 8-5 AKTIVERING AF SELVTRÆK

#### PLM4621

Plæneklipperen begynder at bevæge sig automatisk fremad med ca. 1 m/s, når du griber om kørehåndtaget, og standser, når du slipper kørehåndtaget.

#### PLM4622

Plæneklipperen er udstyret med et hastighedsjusteringssystem, der kan justeres til 3 hastigheder fra 3,0 km/t til 4,5 km/t.

Foretag trinene nedenfor:

1. Slip kørehåndtaget indtil plæneklipperen ikke længere bevæger sig fremad.
2. Vælg den passende hastighed, du ønsker.
3. Grib fat om kørehåndtaget for at fortsætte klipning. (Fig. 21)



**FORSIGTIG:** Din plæneklipper er designet til at klippe almindeligt havegræs, der ikke er højere end 250 mm.

Forsøg ikke at klippe gennem ualmindelig højt tørt eller vådt græs (f.eks. en græsmark) eller bunker af tørre blade. De afklippede materialer kan ophobes på klippeskjoldet eller komme i kontakt med motorudstødningen og udgøre en potentiel brandrisiko.

### 8-6 SÅDAN OPNÅS DE BEDSTE RESULTATER MED MULCHING

Ryd græsplænen for affald. Sørg for at græsplænen er fri for sten, grene, ståltråd eller andre fremmedlegemer, der eventuelt ved et uheld kan blive slynget ud af

plæneklipperen i en hvilken som helst retning og forvolde alvorlig personskade på operatøren og andre, såvel som skader på materiel og omkringliggende genstande. Klip ikke vådt græs. For at opnå en effektiv mulching skal du ikke klippe vådt græs, da det har tendens til at sætte sig fast i klippeskjoldet og forhindre ordentligt mulching af det afklippede græs. Klip ikke mere end 1/3 af græssets længde.

Den anbefalede klipning for mulching er 1/3 af græssets længde. Hastigheden over jorden skal justeres, sådan at de afklippede stykker kan fordeles jævnt ind på plænen. Især ved kraftig klipning af tykt græs kan det være nødvendigt at bruge en af de laveste hastigheder for at få en jævn, fint fordelt klipning. Ved mulching af langt græs er du muligvis nødt til at klippe plænen af to omgange, hvor du sænker kniven med endnu en 1/3 af længden ved andet klip og eventuelt klipper græsset i et andet mønster, end det der blev anvendt første gang.

En lille smule overlappning af klippet for hver gang, hjælper også med til at fjerne eventuelt spredte afklippede rester, der ligger tilbage på plænen. Plæneklipperen bør altid anvendes ved fuld gas for at få den bedste klipning og give maskinen mulighed for at udføre den bedst mulige mulching. Rens undersiden af klippeskjoldet. Sørg for at rense undersiden af klippeskjoldet hver gang efter brug for at undgå en ophobning af græs, hvilket ellers forhindrer ordentligt mulching. Mulching af blade. Mulching af blade kan også være godt for din græsplæne. Ved mulching af blade skal du sørge for, at de er tørre, samt at der ikke ligger et alt for tykt lag på græsplænen. Du skal ikke vente til alle bladene er faldet af træerne, før du udfører mulching (bioklip).



**ADVARSEL:** Hvis du støder på et fremmedlegeme, skal motoren standses. Fjern kablet fra tændrøret og efterse plæneklipperen nøje for skader, og reparer skaden inden du starter og anvender plæneklipperen igen. Hvis plæneklipperen vibrerer voldsomt under anvendelse, kan det være et tegn på beskadigelse. Enheden bør straks efterses og repareres.

## 8-7 GRÆSOPSAMLER

Tøm og rens posen. Sørg for, at den er ren, og dens net er ventileret. (Fig. 22)

## 8-8 KLIPPESKJOLD

Undersiden af plæneklipperens klippeskjold bør renses hver gang efter brug for at forhindre ophobning af afklippede græsrester, blade, snavs eller andre materialer. Hvis de afklippede rester får lov til at ophobe sig, medvirker det til rust- og korrosionsdannelse og kan forhindre ordentlig mulching. Klippeskjoldet kan renses ved at vippe plæneklipperen og skrabe det rent med et passende værktøj (sørg for at tændrørskabets forbindelse er afbrudt).

## 8-9 INSTRUKTIONER FOR HØJDEJUSTERING



**FORSIGTIG:** Udfør aldrig nogen justeringer på plæneklipperen uden først at standse motoren og afbryde tændrørskabets forbindelse.



**FORSIGTIG:** Inden du ændrer klippehøjden, skal du standse plæneklipperen og afbryde tændrørskabets forbindelse.

Plæneklipperen er udstyret med en central højdejusteringsarm, der har 5 højdepositioner.

1. Stand plæneklipperen og afbryd tændrørskabets forbindelse, inden du ændrer plæneklipperens klippehøjde.
2. Den centrale højdejusteringsarm har 5 forskellige højdepositioner.
3. For at ændre klippehøjden skal du trykke justeringsarmen mod hjulet, og flytte op eller ned på den valgte højde. (Fig. 23) Alle hjulene indstilles på den samme klippehøjde.

## 9. VEDLIGEHOLDELSERINSTRUKTIONER

### TÆNDRØR

Udskift kun med originale tændrør. Du opnår det bedste resultat ved at udskifte tændrøret efter hver 100 timers brug. (se BRUGERVEJLEDNING TIL MOTOR)

## 10. SMØREINSTRUKTIONER



**FORSIGTIG:** ABRyd TÆNDRØRETS FORBINDELSE INDEN EFTERSYN.

1. HJUL-Smør kuglelejerne på hvert hjul mindst én gang i sæsonen med en let olie.
2. MOTOR-Følg motorvejledningen angående instruktioner for smøring.
3. KNIVKONTROL-Smør omdrejningsakserne på knivkontrolhåndtaget og bremsekablet mindst én gang i sæsonen med en let olie. Knivkontrollen skal kunne bevæges frit i begge retninger.

## 11. RENGØRING



**FORSIGTIG:** Spul ikke motoren med en vandslange. Vandet kan beskadige motoren og forurene brændstofssystemet.

1. Tør klippeskjoldet af med en tør klud.
2. Spul med en vandslange under klippeskjoldet ved at vippe plæneklipperen, sådan at tændrøret er opad.

### 11-1 MOTORLUFTFILTER



**FORSIGTIG:** Sørg for at snavs eller støv ikke tilstopper luftfilterets skumelement.

Motorens luftfilterelement skal efterses (renses) efter 25 timers normal plæneklipping. Skumelementet skal efterses regelmæssigt, hvis plæneklipperen anvendes under tørre, støvede forhold. (se BRUGERVEJLEDNING TIL MOTOR)

## SÅDAN RENSES LUFTFILTERET

1. Fjern skruen.
2. Fjern dækslet.
3. Vask filterelementet i sæbevand. **BRUG IKKE BENZIN!**
4. Lufttør filterelementet.
5. Put et par dråber SAE30-olie på skumfilteret og vrid det omhyggeligt for at fjerne eventuelt overskydende olie.
6. Monter filteret igen.



**BEMÆRK:** Udskift filteret hvis det er flosset, flænsset, beskadiget eller ikke kan renses. (Fig. 24)

## 11-2 KNIV



**FORSIGTIG:** Sørg for at afbryde og jorde tændrørskablet inden arbejdet med kniven for at forhindre utilsigtet start af motoren. Beskyt hænderne ved at anvende tykke handsker eller en klud, når du griber om knivene.

Vip plæneklipperen som anvist i den separate motorvejledning. Fjern sekskantbolten og skiven, der holder kniven og knivadapteren fast på motorens krumtapaksel. Afmonter kniven og adapteren fra krumtapakslen.



**ADVARSEL:** Efterse regelmæssigt knivadapteren for revner, især hvis du rammer et fremmedlegeme. Udskiftes om nødvendigt.

Du opnår de bedste resultater med en skarp kniv. Kniven kan skærpes ved at afmontere den og enten slibe eller file knivsåggen, sådan at den oprindelige smig opretholdes så vidt muligt. Det er ekstremt vigtigt, at hver knivsåg slibes lige meget for ikke at få en uafbalanceret kniv. En forkert balanceret kniv medfører voldsomme vibrationer og kan forårsage skade på motoren og plæneklipperen. Sørg for at balancere kniven omhyggeligt efter slibning. Knivens balance kan testes ved at balancere den på en rundskafet skruetrækker. Fjern metal fra den tunge side indtil den balancerer jævnt. (Fig. 25)

Inden du monterer kniven og knivadapteren på enheden, skal du smøre motorens krumtapaksel og indersiden af knivadapteren med en let olie. Monter knivadapteren på krumtapakslen med "stjernen" vendende væk fra motoren. Se Fig. 25. Placer kniven med delnummeret vendende væk fra adapteren. Placer skiven over kniven og indsæt sekskantbolten med det moment, der er anvist nedenfor.

## 11-3 KNIVMONTERINGSMOMENT

Midterbolten skal strammes med et moment på 35 - 45 Nm. For at sikre sikker anvendelse af din enhed. ALLE møtrikker og bolte skal regelmæssigt kontrolleres for korrekt tilspænding. Efter længere brug, især ved sandede jordforhold, bliver kniven slidt og mister noget af den oprindelige form. Effektiviteten af klipningen vil blive reduceres, og kniven bør udskiftes.

Udskift kun kniven med en fabriksgodkendt kniv. Eventuelle skader pga. en uafbalanceret kniv er ikke producentens ansvar.

Når du udskifter kniven, skal du anvende den originale type, som er mærket på kniven (MAKITA 263001451) (kontakt din lokale forhandler eller dit firma angående bestilling af en ny kniv).



**ADVARSEL:** Rør ikke ved roterende knive.

## 11-4 MOTOR

Se den separate motorvejledning angående instruktioner for motorvedligeholdelse.

Vedligehold motorolien som anvist i den separate motorvejledning, der kom sammen med din enhed.

Læs og følg instruktionerne omhyggeligt.

Foretag eftersyn af luftfilteret som anvist i den separate motorvejledning under normale forhold. Under ekstremt støvede forhold skal det altid renses efter nogle få timers brug. Dårlig motorydelse og drukning af motoren angiver, at luftfilteret bør efterse.

For at foretage eftersyn af luftfilteret skal du se den separate motorvejledning, der kom sammen med din enhed.

Tændrøret skal renses, og afstanden genindstilles én gang i sæsonen. Det anbefales, at udskifte tændrøret i starten af hver klippesæson; se motorvejledningen angående korrekt tændrørstype og afstandsspecifikationer.

Rens jævnligt motoren med en klud eller en børste. Hold afkølingssystemet (blæserhusområdet) rent for at sikre ordentlig luftcirkulation, hvilket er essentielt for motorydelse og -levetid. Sørg for at fjerne alt græs, snavs og brandbart materiale fra lyddæmperområdet.

## 12. OPBEVARINGSINSTRUKTIONER (UDEN FOR SÆSONEN)

Følgende skridt bør tages for at klargøre plæneklipperen til opbevaring.

1. Efter sæsonens sidste klipning skal brændstoffranken have lov til at løbe tør.
2. Rengør og smør plæneklipperen omhyggeligt som beskrevet i smøreinstruktionerne.
3. Se motorvejledningen angående instruktioner for korrekt opbevaring af motor.
4. Smør et tyndt lag chassiss-smørefedt på plæneklipperens kniv for at forhindre rust.
5. Opbevar plæneklipperen på et tørt, rent sted.



**BEMÆRK:**

- Ved opbevaring af enhver type motorudstyr på et uventileret sted eller i et opbevaringsskur;
- Sørg for at rustsikre udstyret. Brug en let olie eller silikoneolie til at lægge en hinde over udstyret, især kabler og alle bevægelige dele.
- Sørg for ikke at bøje eller knække kabler.
- Hvis startsnoren løsner sig fra gennemføringen på håndtaget, skal du afbryde og jorde tændrørskablet, trykke ind på knivkontrolhåndtaget og langsomt trække startsnoren ud fra motoren. For startsnoren ind i gennemføringsbolten på håndtaget.

## 13. FEJLFINDING

| PROBLEM   | SANDSYNLIG ÅRSAG   | AFHJÆLPNING  |
|---|--|--|
| Motoren starter ikke.                                   | Gashåndtaget er ikke i den rigtige position under de aktuelle forhold. | Flyt gashåndtaget hen på den rigtige position.   |
|   | Brændstoftanken er tom.  | Fyld brændstof på tanken: se BRUGERVEJLEDNING TIL MOTOR.   |
|   | Luffilterelementet er beskidt.   | Rens luffilterelementet: se BRUGERVEJLEDNING TIL MOTOR.  |
|   | Løst tændrør.  | Stram tændrøret til 25 - 30 Nm.  |
|   | Tændrørskablet er løst eller afbrudt fra stikket.                      | Monter tændrørskablet på tændrørsstikket.  |
|   | Forkert tændrørsafstand.   | Indstil afstanden mellem elektroderne på 0,7 til 0,8 mm.   |
|   | Tændrøret er defekt.   | Monter et nyt tændrør med korrekt tændrørsafstand. se BRUGERVEJLEDNING TIL MOTOR.  |
|   | Karburatoren er druknet i brændstof.                                   | Afmonter luffilterelementet og fortsæt med at trække i startsnoren indtil karburatoren renser sig selv, og monter derefter luffilterelementet. |
|   | Defekt tændingsmodul.  | Kontakt et Makita-autoriseret servicecenter.   |
| Det er svært at starte motoren, eller den mister kraft. | Snavs, vand eller gammelt brændstof i tanken.                          | Tøm brændstoffet af og rens tanken. Fyld tanken med rent, frisk brændstof.   |
|   | Udluftningshullet i brændstoftankens dæksel er tilstoppet.             | Rens eller udskift brændstoftankens dæksel.  |
|   | Luffilterelementet er beskidt.   | Rens luffilterelementet.   |
| Motoren kører ujævnt.                                   | Tændrøret er defekt.   | Monter et nyt tændrør med korrekt tændrørsafstand. se BRUGERVEJLEDNING TIL MOTOR.  |
|   | Forkert tændrørsafstand.   | Indstil afstanden mellem elektroderne på 0,7 til 0,8 mm.   |
|   | Luffilterelementet er beskidt.   | Rens luffilterelementet: se BRUGERVEJLEDNING TIL MOTOR.  |
| Motoren går dårligt i tomgang.                          | Luffilterelementet er beskidt.   | Rens luffilterelementet: se BRUGERVEJLEDNING TIL MOTOR.  |
|   | Luftåbningerne i motorhuset er blokeret.                               | Fjern græsrester fra åbningerne.   |
|   | Køleribber og luftpassager under motorens blæserhus er blokeret.       | Fjern græsrester fra køleribber og luftpassager.   |
| Motoren hopper ved høj hastighed.                       | Afstanden mellem tændrørets elektroder er for lille.                   | Indstil afstanden mellem elektroderne på 0,7 til 0,8 mm.   |
| Motoren overopheder.                                    | Gennemstrømningen af køleluft er begrænset.                            | Fjern eventuelle græsrester fra åbningerne i motorhuset, blæserhuset og luftpassager.  |
|   | Forkert tændrør.   | Monter RJ19LMC-tændrør og køleribber på motoren.   |
| Plæneklipperen vibrerer unormalt.                       | Knivmontagen er løs.   | Stram kniven.  |
|   | Knivmontagen er ikke afbalanceret.                                     | Afbalancer kniven.   |

## 14. MILJØ

Skulle din maskine trænge til at blive udskiftet efter lang tids brug, skal den ikke bortskaffes sammen med husholdningsaffald, men bortskaffes på en miljømæssig sikker måde.

**Kun for lande i Europa**  
**EF-overensstemmelseserklæring**  
**Vi, Makita Corporation, erklærer som ansvarlig producent at følgende Makita-maskine(r):**  
 Maskinens betegnelse: Benzinplæneklipper  
 Modelnummer/ type: PLM4621, PLM4622  
 Specifikationer: Se "4. Tekniske data"  
 er en produktionsserie og



**Overholder følgende europæiske direktiver:**

2006/42/EF, 2004/108/EF,  
2000/14/EF og 2005/88/EF

Og er produceret i overensstemmelse med følgende  
standarder eller standardiserede dokumenter:

EN836, EN ISO14982

Den tekniske dokumentation findes hos vores  
autoriserede repræsentant i Europa:

Makita International Europe Ltd.,  
Michigan, Drive, Tongwell,  
Milton Keynes, MK15 8JD, England

Den konformitetsvurderingsprocedure, der kræves af  
Direktiv 2000/14/EC, blev udført i henhold til appendiks  
VI.

Underrettet organ:

TÜV SÜD Industrie Service GmbH  
Westendstraße 199, D-80686 München  
Identifikationsnummer: 0036

Model PLM4621

Målt lydeffektniveau: 93,1 dB  
Garanteret lydeffektniveau: 96 dB

Model PLM4622

Målt lydeffektniveau: 92,3 dB  
Garanteret lydeffektniveau: 96 dB

11. 11. 2011



Tomoyasu Kato  
Direktør  
Makita Corporation  
3-11-8, Sumiyoshi-cho,  
Anjo, Aichi, JAPAN

**Yleisnäkymän selitykset**

- |                                       |                              |                         |
|---------------------------------------|------------------------------|-------------------------|
| 1. Yläkahva                           | 6. Naruohjain                | 12. Öljysäiliön korkki  |
| 2. Pysäytyskahva                      | 7. Ruohosäkki                | 13. Johdon pidin        |
| 3. Itsevedon säätökahva               | 8. Korkeudensäätövipu        | 14. Lukitusnappi        |
| 4. Moottorin käyntinopeuden säätövipu | 9. Kotelo                    | 15. Nopeudensäätökytkin |
| 5. Käynnistinkahva                    | 10. Syytystulppa             |                         |
|                                       | 11. Polttoainesäiliön korkki |                         |



**VAROITUS**

Luo tämä opas oman turvallisuutesi vuoksi ennen uuden laitteen käyttämistä. Ohjeiden noudattamatta jättämisestä voi aiheutua vakava vamma. Kertaa ruohonleikkurin käyttö ennen kutakin käyttökertaa.

**1. TUOTTEeseen MERKITTY SYMBOLIT**



Lue käyttöopas.



Pidä sivulliset loitolla.



Varo, ettei kätesi tai jalkasi joudu vaaraan.



Myrkyllisiä höyryjä. Älä käytä sisätiloissa.



Polttoaine on herkästi syttyvää. Pidä se poissa avotulen läheisyydestä. Älä lisää polttoainetta koneen käydessä.



Käytä ruohonleikkuun aikana suojalaseja ja korvatulppia.



Irrota korjattaessa syytystulppa ja toimi käyttöoppaan ohjeiden mukaisesti.



Varoitus: Moottori on kuuma.



Pysäytä moottori vapauttamalla kytinkahvaa.



Ruohonleikkuri liikkuu eteenpäin, kun puristat itsevedon säätökahvaa.

**2. YLEISIÄ TURVAOHJEITA**



**VAROITUS:** Bensiniä käyttäviä työkaluja käytettäessä on vakavan henkilövahingon ja laitteen vioittumisen välttämiseksi aina huolehdittava muun muassa seuraavista perusvarotoimista. Lue nämä ohjeet kokonaisuudessaan, ennen kuin käytät tuotetta, ja säilytä ne tulevaa tarvetta varten.



**VAROITUS:** Tämä laite tuottaa toimiessaan sähkömagneettisen kentän. Joissakin tilanteissa tämä kenttä saattaa vaikuttaa aktiivisiin tai passiivisiin lääketieteellisiin implanteihin. Henkilöiden, joilla on lääketieteellisiä implanteja, tulee ennen laitteen käyttämistä varmistaa implantin soveltuvuus tällaiseen käyttöön lääkäriltä ja implantin valmistajalta. Muuten seurauksena voi olla vakava vammautuminen tai jopa kuolema.

**Käyttöön perehtyminen**

- Lue ohjeet huolellisesti. Perehdy laitteen säätimiin ja asianmukaiseen käyttöön.
- Älä anna lasten tai näihin ohjeisiin perehtymättömien henkilöiden käyttää ruohonleikkuria. Paikallisissa määräyksissä saatetaan asettaa laitteen käytölle vähimmäisikäraja.
- Ruohonleikkuria ei saa koskaan käyttää, kun lähistöllä on muita henkilöitä (etenkin lapsia) ja lemmikkieläimiä.
- Muista, että käyttäjä vastaa tapaturmista tai vahingoista, jotka hän aiheuttaa muille ihmisille tai heidän omaisuudelleen.

**Valmistelutoimet**

- Käytä ruohoa leikatessasi aikana aina tukevia jalkineita ja pitkiä housuja. Älä käytä laitetta paljain jaloin tai avosandaalit jalassa.

- Tutki leikattava alue huolellisesti ja poista kaikki sellaiset esineet ja kappaleet, jotka voivat sinkoutua ruohonleikkurista.
- VAROITUS – Bensiini on erittäin helposti syttyvää.
  - säilytä polttoaine tarkoitukseen suunnitelluissa astioissa;
  - tankkaa aina ulkoilmassa äläkä tupakoi tankkauksen aikana;
  - lisää polttoaine ennen moottorin käynnistämistä. Älä koskaan avaa polttoainesäiliön korkkia tai lisää polttoainetta, kun moottori käy tai on vielä kuuma;
  - jos bensiiniä läikkyi, älä yritä käynnistää moottoria vaan siirrä kone pois läikkymisalueelta ja vältä syytymislähteiden tuomista sen lähistölle, kunnes bensiinihöyryt ovat haihtuneet;
  - sulje polttoainesäiliöiden ja -astioiden korkit huolellisesti.
- Vaihda vioittuneet äänenvaimentimet.
- Tarkista ennen käyttöä silmämääräisesti, että terät, terien pultit ja leikkuuyksikkö eivät ole kuluneet tai vaurioituneet. Vaihda kaikki vioittuneet tai kuluneet terät ja ruuvit yhdellä kertaa.

## Käyttö

- Älä käytä moottoria suljetussa tilassa, johon voi kertyä vaarallisia hääkaasuja.
- Leikkaa vain päivänvalossa tai kirkkaassa keinovalossa.
- Vältä märän nurmikon leikkaamista mahdollisuksien mukaan.
- Varmista aina tukeva jalansija, kun leikkaat nurmikkoa rinteessä.
- Kävele, älä juokse.
- Leikkaa nurmikko rinteessä aina poikittaissuuntaan, älä koskaan ylös ja alas.
- Ole erityisen varovainen vaihtaessasi suuntaa rinteissä.
- Älä leikkaa nurmikkoa liian jyrkissä rinteissä.
- Ole erityisen varovainen kääntäessäsi tai vetäessäsi ruohonleikkuria itseäsi kohti.
- Pysäytä terä(t), jos ruohonleikkuria on tarpeen kallistaa ruohottomia alueita ylitettäessä, sekä silloin, kun siirrä sitä leikattavalle nurmialueelle ja takaisin.
- Älä koskaan käytä ruohonleikkuria, jos suojuukset ovat vioittuneet tai turvalaitteet, kuten kivisuoijat ja/tai ruohonkeräimet, eivät ole paikallaan.
- Älä muuta moottorin nopeudensäätimen asetuksia tai ylikuormita moottoria.
- Vapauta kaikki terän kytkimet ja käyttökytkimet ennen moottorin käynnistystä.
- Käynnistä moottori varovaisuutta noudattaen ja ohjeiden mukaisesti ja pidä jalkasi poissa terien ulottuvilta.
- Älä kallista ruohonleikkuria moottoria käynnistäessäsi.
- Älä käynnistä moottoria seisossa poistokourun edessä.
- Älä pane käsiäsi tai jalkojasi pyörivien osien alle tai lähelle. Jätä poistoaukko aina esteettömäksi.
- Älä nosta tai kuljeta ruohonleikkuria moottorin käydessä.
- Pysäytä moottori ja irrota sytytystulpan johto, varmista, että kaikki liikkuvat osat ovat täysin pysähtyneet, ja irrota mahdollinen avain:

- ennen tukkeumien selvittämistä tai kourun puhdistamista;
- ennen ruohonleikkurin tarkastamista, puhdistamista tai kunnossapitoa;
- koneen osuttua vierasesineeseen. Tarkasta ruohonleikkuri vaurioiden varalta ja korjaa mahdolliset viat, ennen kuin käynnistät sen uudelleen;
- jos ruohonleikkuri alkaa täristä epänormaalisti (tutki heti äärinän syy).
- Pysäytä moottori ja irrota sytytystulpan johto, varmista, että kaikki liikkuvat osat ovat täysin pysähtyneet, ja irrota mahdollinen avain:
  - aina, kun poistut ruohonleikkurin luota;
  - ennen tankkausta.
- Pienennä kaasua moottoria sammuttaessasi. Jos moottorissa on sulkuventiili, sulje polttoaineen syöttö, kun lopetat leikkaamisen.
- Käytä ruohonleikkuria ainoastaan sen suunniteltuun käyttötarkoitukseen eli nurmikon leikkaamiseen ja leikatun ruohon keräämiseen. Muunlainen käyttö voi olla vaarallista ja vioittaa laitetta.

## Kunnossapito ja säilytys

- Varmista leikkurin käyttöturvallinen kunto tarkistamalla, että kaikki mutterit, pultit ja ruuvit ovat tiukasti kiinni.
- Jos polttoainesäiliössä on polttoainetta, älä säilytä ruohonleikkuria tilassa, jossa höyryt voivat joutua kosketukseen avotulen tai kipinöiden kanssa.
- Anna moottorin jäähtyä, ennen kuin siirrä ruohonleikkurin suljettuun varastoon.
- Vähentääksesi tulipalon vaaraa pidä moottori, äänenvaimennin, akkutila ja polttoaineen säilytysalue puhtaana ruohosta, lehdistä ja ylimääräisestä rasvasta.
- Tarkasta ruohonkeräin säännöllisesti kulumisen ja vaurioiden varalta.
- Vaihda kuluneet tai vioittuneet osat turvallisuussyistä.
- Jos polttoainesäiliö on tarpeen tyhjentää, tee se ulkona.



**VAROITUS:** Älä koske pyörivään terään.



**VAROITUS:** Tankkaa hyvin tuuletetussa tilassa moottorin ollessa sammutettuna.

## 3. OSIEN KUVAUS (kuvat 1 ja 2)

### Mukaan lukien

- A: Sytytystulppa-avain  
B: Siippuamiskilla

## 4. TEKNISET TIEDOT

| Malli                              | PLM4621                     | PLM4622                      |
|------------------------------------|-----------------------------|------------------------------|
| Moottorin tyyppi                   | B&S 650E -sarja, ReadyStart | B&S 675EX -sarja, ReadyStart |
| Itsepyörivä                        | Kyllä                       | Kyllä                        |
| Moottorin tilavuus                 | 190 cm <sup>3</sup>         | 190 cm <sup>3</sup>          |
| Terän leveys                       | 460 mm                      | 460 mm                       |
| Joutokäyntinopeus                  | 2 800 kierrosta/min         | 2 800 kierrosta/min          |
| Polttoainesäiliön tilavuus         | 1,0 l                       | 1,0 l                        |
| Öljysäiliön tilavuus               | 0,6 l                       | 0,6 l                        |
| Ruohonkeruusäkin tilavuus          | 60 l                        | 60 l                         |
| Nettopaino                         | 33,8 kg                     | 35,4 kg                      |
| Korkeuden säätö                    | 20-75 mm, 5 säätöä          | 20-75 mm, 5 säätöä           |
| Melutaso EN836-standardin mukaan   |                             |                              |
| Äänenpainetaso (L <sub>pA</sub> ): | 81,5 dB (A)                 | 83,1 dB (A)                  |
| Äänitehotaso (L <sub>wA</sub> ):   | 93,1 dB (A)                 | 92,3 dB (A)                  |
| Virhemarginaali (K):               | 2,41 dB (A)                 | 2,75 dB (A)                  |
| Tärinätaso EN836-standardin mukaan |                             |                              |
| Tärinäpäästö (a <sub>h</sub> ):    | 6,4 m/s <sup>2</sup>        | 7,5 m/s <sup>2</sup>         |
| Virhemarginaali (K):               | 1,5 m/s <sup>2</sup>        | 1,5 m/s <sup>2</sup>         |

## 5. KOKOAMINEN

### 5-1 TAITTUVAN KAHVAN KIINNITTÄMINEN

- A) Kiinnitä alemmat käsikahvat lukitusnupeilla laitteen runkoon kuvassa esitetyllä tavalla. **(Kuva 3, Kuva 4, Kuva 5, Kuva 6)**
- B) Vapauta ylempät, taittavat käsikahvat. Kytke ylempi ja alempi kahva toisiinsa lukitusvivun avulla. **(Kuva 7, Kuva 8)**
- C) Aseta kaikki johdot kahvojen akselien päälle. Kiinnitä ne alempien kahvojen keskikohtien ympärille siten, että johdot tulevat laitteesta pois päin. Muussa tapauksessa johdot voivat joutua puristuksiin takakannta avattaessa/suljettaessa tai venyä ylempää kahvaa taitettaessa. **(Kuva 9)**

### 5-2 RUOHONKERÄIMEN KIINNITTÄMINEN

- Kiinnitys: Nosta takakannta ja ripusta ruohonkeräin leikkurin takana olevalle akselille. **(Kuva 10, Kuva 11)**
- Irrotus: Tartu takakannteen, nosta se ylös ja irrota sitten ruohonkeräin.

### 5-3 KÄYNNISTINKAHVA

Siirrä käynnistinkahva moottorista naruohjaimeen. **(Kuva 12, Kuva 13)**

### 5-4 LEIKKAUSKORKEUS

Paina vipu irti säätölovesta. Säädä korkeutta siirtämällä vipua eteen- tai taaksepäin. **(Kuva 14, ks. myös kohta 8-9)**

## 6. SÄÄTÄMINEN SOPIVAAN KORKEUTEEN

- Löysää alemmaa kahvaa paikallaan pitävää lukitusnuppia (ks. **Kuva 15**).
- Siirrä alemmaa kahvaa pystysuunnassa, kunnes korkeus on sopiva (ks. **Kuva 16**). Tässä mallissa on valittavissa kolme säätökorkeutta. Alemman kahvan etäisyys maanpinnasta on suurin asennossa 1 ja pienin asennossa 3.
- Säädä korkeus sopivaksi ja kiinnitä alempi kahva sitten paikalleen lukitusnuppien avulla.



**VAROITUS:** Alemman kahvan vasen ja oikea puoli pitää säätää samaan korkeuteen.

## 7. SILPPUAVA RUOHONLEIKKURI

Mitä silppuaminen tarkoittaa?

Silppuaminen tai bioleikkaus tarkoittaa, että leikattu ruoho hienonnetaan silpuksi, joka palautetaan takaisin nurmikolle luonnonmukaiseksi ravinteeksi.

Vihjeitä silppuamiseen:

- Lyhennä nurmikkoa enintään 2 cm 6 cm:n korkuisesta 4 cm:n korkuiseksi.
- Käytä terävää leikkuuterää.
- Älä leikkaa märkää nurmikkoa.
- Käytä moottorin suurinta käyntinopeutta.
- Etene normaaliilla työskentelynopeudella.
- Puhdista silppuamiskila, kotelon sisäpuoli ja leikkuuterä säännöllisin väliajoin.



**VAROITUS:** Moottorin pitää olla sammutettuna ja leikkuuterän pysähtyneenä.

1. Nosta takakansi ja irrota ruohonkerän.
2. Työnnä silppuamiskilla koteloon. Lukitse silppuamiskilla painikkeella kotelossa olevaan aukkoon. (Kuva 17, Kuva 18)
3. Laske takakansi uudelleen alas.

## 8. KÄYTTÖ

### 8-1 ENNEN KÄYNNISTYSTÄ

Lisää polttoainetta ja öljyä ruohonleikkurin mukana toimitettavan erillisen moottorioppaan ohjeiden mukaisesti. Lue ohjeet huolellisesti.



**VAROITUS:** Bensiini on erittäin helposti syttyvää.

Säilytä polttoaine tarkoitukseen suunnitelluissa astioissa. Tankkaa aina ulkoilmassa ennen moottorin käynnistämistä äläkä tupakoi tankkauksen tai polttoaineen käsittelyn aikana.

Älä koskaan avaa polttoainesäiliön korkkia tai lisää polttoainetta, kun moottori käy tai on vielä kuuma.

Jos bensiiniä läikkyy, älä yritä käynnistää moottoria vaan siirrä kone pois läikkymisalueelta ja vältä syttymislähteiden tuomista sen lähistölle, kunnes bensiinihöyryt ovat haihtuneet.

Sulje polttoainesäiliöiden ja -astioiden korot huolellisesti.

Tyhjennä polttoainesäiliö, ennen kuin kallistat ruohonleikkuria terän huoltoa tai öljynvaihtoa varten.



**VAROITUS:** Älä koskaan täytä polttoainesäiliötä sisätiloissa, jos moottori käy tai ei ole käytön jälkeen jäähtynyt ainakin 15 minuutin ajan.

### 8-2 MOOTTORIN KÄYNNISTÄMINEN JA TERÄN KYTKEMINEN TOIMINTAAN

1. Syytystulpan päässä on kuminen hattu. Varmista, että syytystulpan johdon päässä (kumihatun sisällä) oleva metallilenkki on tukevasti kiinni syytystulpan metallikärjessä.
2. Käännä käyntinopeuden säätövipu kylmää moottoria käynnistettäessä asentoon "☁". Käännä käyntinopeuden säätövipu lämmennyt moottoria käynnistettäessä sekä käytön aikana asentoon "☁☁". (Kuva 19)
3. Seiso ruohonleikkurin takana, tartu pysäytyskahvaan ja purista sitä yläkahvaa vasten **Kuvassa 20** esitetyllä tavalla.
4. Tartu käynnistinkahvaan **Kuvassa 20** esitetyllä tavalla ja vedä sitä voimakkaasti ylöspäin. Palauta se hitaasti naruohjaimen moottorin käynnistyttyä. Vapauta pysäytyskahva, kun haluat pysäyttää moottorin ja terän.



Käynnistä moottori varovaisuutta noudattaen ja ohjeiden mukaisesti ja pidä jalkasi poissa terän ulottuvilta.



Älä kallista ruohonleikkuria moottoria käynnistäessäsi. Käynnistä ruohonleikkuri tasaisella alustalla, jossa ei ole korkeaa ruohoa tai muita esteitä.



Pidä kädet ja jalat loitolla pyörivistä osista. Älä käynnistä moottoria seisossasi poistokourun edessä.

### 8-3 KÄYTTÖ

Purista pysäytyskahvaa käytön aikana tiukasti molemmin käsin.



**Huomautus:** Kun pysäytyskahva vapautetaan käytön aikana, moottori pysähtyy, mikä keskeyttää ruohonleikkurin käytön.

### 8-4 MOOTTORIN PYSÄYTTÄMINEN



**VAROITUS:** Terä jatkaa pyörimistä muutaman sekunnin ajan moottorin pysäyttämisen jälkeen.

1. Vapauta pysäytyskahva, kun haluat pysäyttää moottorin ja terän.
2. Irrota ja maadoita syytystulpan johto erillisessä moottorioppaassa annettujen ohjeiden mukaisesti, jotta ruohonleikkuri ei pääse käynnistymään vahingossa, kun se jätetään ilman valvontaa.

### 8-5 AUTOMAATTIAJON LIITÄNTÄ

#### Malli PLM4621

Kun puristat itsevedon säätökahvaa, ruohonleikkuri liikkuu eteenpäin noin 1 m/s. Ruohonleikkurin liike pysähtyy, kun vapautat kytkinkahvan.

#### Malli PLM4622

Ruohonleikkurissa on nopeudensäätöjärjestelmä, jossa on 3 nopeutta välillä 3,0 km/h ja 4,5 km/h.

Noudata seuraavia ohjeita:

1. Vapauta itsevedon säätökahva ja odota, että ruohonleikkuri pysähtyy.
2. Säädä nopeus haluamaksesi.
3. Jatka ruohonleikkua puristamalla itsevedon säätökahvaa. (Kuva 21)



**HUOMAUTUS:** Tämä ruohonleikkuri on suunniteltu normaalin, korkeintaan 250 mm:n korkuisen nurmikon leikkuuseen.

Älä yritä leikata normaalia pitempää märkää tai kuivaa ruohoa (esim. laidunta) tai kuivia lehtikasveja. Leikkuujäte voi kerääntyä ruohonleikkurin koteloon tai joutua kosketuksiin pakoputken kanssa, josta aiheutuu tulipalovaara.

### 8-6 OHJEITA SILPPUAMISEEN

Poista irtoroskat nurmikolta. Varmista, että nurmikolla ei ole kiviä, oksia, johtoja ja muita vierasesineitä, jotka voivat vahingossa sinkoutua ruohonleikkurista mihin tahansa suuntaan ja aiheuttaa vakavan henkilö- tai omaisuusvahingon. Älä leikkaa märkää nurmikkoa. Jos ruoho on märkää, se tarttuu helposti kotelon alle ja estää

leikatun ruohon tehokkaan silppuamisen. Leikkaa enintään kolmasosa nurmikon pituudesta. Suositeltu leikkauskorkeus silputtaessa on enintään kolmasosa nurmikon pituudesta. Nopeutta on tarpeen säätää siten, että silputtu ruoho leviää tasaisesti nurmikolle. Jos ruoho on hyvin paksua, voi olla tarpeen käyttää alhaista nopeutta, jotta leikkausjäljestä saadaan siisti. Pitkää nurmikkoa silputtaessa voi olla tarpeen tehdä kaksi leikkauskierrosta siten, että jälkimmäisellä kierroksella lasketaan terää edelleen 1/3 alemmas ja mahdollisesti käytetään toisenlaista leikkauskuviota. Kun kukin kierroksista menee hieman päällekkäin edellisen kanssa, nurmikolle mahdollisesti jäänyt leikattu ruoho silppuuntuu siististi pois. Ruohonleikkuria on aina syytä käyttää täydellä kaasulla. Tällä varmistetaan hyvä leikkausjälki ja tehokas silppuaminen. Puhdista kotelon alapuoli.

Muista puhdistaa leikkuukotelon alapuoli jokaisen käyttökerran jälkeen, jotta sinne ei kerry ruohoa. Kertynyt ruoho estää tehokkaan silppuamisen. Lehtien silppuaminen Lehtien silppuaminen voi olla hyväksi nurmikolle. Varmista lehtiä silputessasi, että ne ovat kuivia ja että niitä ei ole nurmikolla liian paksuna kerroksena. Älä odota kaikkien lehtien maahanputoamista, ennen kuin aloitat silppuamisen.



**VAROITUS:** Pysäytä moottori, jos leikkuri osuu vierasesineeseen. Irrota sytytystulpan johto, tarkasta ruohonleikkuri huolellisesti vaurioiden varalta ja korjaa mahdolliset vauriot, ennen kuin käynnistät ruohonleikkurin uudelleen. Huomattava käytönaikainen äärinä on merkki vauriosta. Ruohonleikkuri on tällöin tarkastettava ja korjattava viipymättä.

## 8-7 RUOHONKERÄIN

Tyhjennä ja puhdista säkki, varmista säkin puhtaus ja tarkista, että ilma kulkee verkon läpi. **(Kuva 22)**

## 8-8 KOTELO

Ruohonleikkurin kotelon alapuoli on syytä puhdistaa jokaisen käyttökerran jälkeen, jotta sinne ei pääse kertymään paakkuuntunutta ruohoa, lehtiä, likaa tai muuta leikkuujätettä. Kertynyt leikkuujäte voi altistaa ruohonleikkurin ruosteelle ja korroosiolle sekä estää tehokkaan silppuamisen. Kotelo puhdistetaan kallistamalla ruohonleikkuria ja kaapimalla se sitten puhtaaksi sopivalla välineellä (varmista, että sytytystulpan johto on irrotettu).

## 8-9 LEIKKAUSKORKEUDEN SÄÄTÖ



**VAROITUS:** Älä koskaan tee ruohonleikkuriin minkäänlaisia säätöjä, ennen kuin moottori on pysäytetty ja sytytystulpan johto irrotettu.



**VAROITUS:** Pysäytä moottori ja irrota sytytystulpan johto, ennen kuin muutat leikkauskorkeutta. Ruohonleikkurissa on leikkauskorkeuden säätövipu, jolla voit valita 5 eri leikkauskorkeutta.

1. Pysäytä moottori ja irrota sytytystulpan johto ennen leikkauskorkeuden muuttamista.

2. Leikkauskorkeuden säätövivulla voit valita 5 eri leikkauskorkeutta.
3. Muuta leikkauskorkeutta puristamalla säätövipua pyörää kohti ja siirtämällä vipua sitten ylös tai alas haluamaasi leikkauskorkeuteen. **(Kuva 23)** Kaikki pyörät säätävät samaan leikkauskorkeuteen.

## 9. KUNNOSSAPITO

### SYTYTYSTULPPA

Käytä vain alkuperäisiä vaihtosytytystulppia. Sytytystulppa on syytä vaihtaa 100 käyttötunnin välein. (katso lisätietoja moottorin käyttöoppaasta)

## 10. VOITELU



**VAROITUS:** IRROTA SYTYTYSTULPPA ENNEN HUOLTOA.

1. PYÖRÄT – Voitele jokaisen pyörän kuulalaakerit kevytöljyllä vähintään kerran kesän aikana.
2. MOOTTORIT – Noudata moottorioppaassa annettuja voiteluohjeita.
3. TERÄN SÄÄDIN – Voitele teränsäätökahvan nivelkohdat sekä jarruvaijeri kevytöljyllä vähintään kerran kesän aikana. Terän säätimen tulee liikkua esteettä molempiin suuntiin.

## 11. PUHDISTUS



**VAROITUS:** Älä suihkuta moottoria vedellä. Vesi voi vioittaa moottoria ja polttoainejärjestelmää.

1. Pyyhi kotelo kuivalla kankaalla.
2. Suihkuta kotelon alta kallistamalla ruohonleikkuria siten, että sytytystulppa osoittaa ylöspäin.

### 11-1 MOOTTORIN ILMANPUHDISTIN



**VAROITUS:** Varmista, ettei lika tai pöly pääse tukkimaan ilmansuodattimen vaahtoelementtiä.

Moottorin ilmanpuhdistinelementti pitää huoltaa (puhdistaa) 25 normaalin käyttötunnin jälkeen. Vaahtoelementti pitää puhdistaa säännöllisin väliajoin, jos ruohonleikkuria käytetään kuivassa ja pölyisessä ympäristössä (katso lisätietoja moottorin käyttöoppaasta).

### ILMANSUODATTIMEN PUHDISTUS

1. Irrota ruuvi.
2. Irrota kansi.
3. Pese suodatinelementti saippuavedellä. **ÄLÄ KÄYTÄ BENSIINIÄ!**
4. Kuivaa suodatinelementti ilmalla.
5. Pane vaahtosuodattimeen muutama pisara SAE30-öljyä ja purista tiukasti niin, että ylimääräinen öljy poistuu.
6. Asenna suodatin uudelleen.



**HUOMAUTUS:** Vaihda suodatin, jos se on hankautunut, repeytynyt tai vioittunut tai jos sitä ei voi puhdistaa. (Kuva 24)

## 11-2 LEIKKUUTERÄ



**VAROITUS:** Irrota ja maadoita sytytystulpan johto ennen leikkuuterän huoltamista, jotta moottori ei pääse käynnistymään vahingossa. Suojaa kädet tarttumalla leikkuuteriin tukevin suojakäsinein tai rievulla. Kallista leikkuria erillisessä moottorioppaassa annettujen ohjeiden mukaisesti. Irrota kuusiopultti ja aluslevy, jotka tukevat terän ja terän sovitimen moottorin kampiakselia vasten. Irrota terä ja sovitin kampiakselista.



**VAROITUS:** Tarkasta terän sovitin säännöllisin väliajoin ja varsinkin silloin, kun ruohonleikkuri osuu vierasesineeseen. Vaihda tarvittaessa. Terän pitää olla terävä, jotta leikkuujälki olisi paras mahdollinen. Terän voi teroittaa irrottamalla sen ja hiomalla tai viilaamalla leikkusuärmää mahdollisimman tarkoin alkuperäistä viistettä seuraten. Leikkusuärmät on tärkeää hioa tasaisesti, jotta terä pysyy tasapainossa. Jos terä jää epätasapainoiseksi, siitä aiheutuva tärinä vahingoittaa lopulta moottoria ja ruohonleikkuria. Varmista terän tasapaino huolellisesti teroittamisen jälkeen. Tasapainon voi tarkistaa asettamalla terän pyöreävaraisen ruuvitaltan päälle. Hio metallia pois painavasta päästä, kunnes terä on tasapainossa. (Kuva 25)

Voitele moottorin kampiakseli ja terän sovitimen sisäpinta kevytöljyllä, ennen kuin kiinnität terän ja terän sovitimen takaisin paikalleen. Asenna terän sovitin kampiakselille siten, että ”tähti” tulee moottorista poispäin. Ks. Kuva 25. Käännä terä asentoon, jossa osanumero on poispäin sovitimesta. Sovita aluslevy terän päälle ja pane kuusiopultti paikalleen. Kiristä kuusiopultti alla mainittuun tiukkuteen.

## 11-3 TERÄN KIRISTYSMOMENTTI

Keskipultti pitää kiristää 35–45 Nm:n tiukkuteen ruohonleikkurin turvallisen toiminnan varmistamiseksi. KAIKKIEN pulttien ja mutterien kiristys pitää tarkistaa säännöllisin väliajoin. Terä kuuluu alkuperäisestä muodostaan, kun ruohonleikkuria käytetään pitkään varsinkin hiekkaisessa ympäristössä. Tällöin leikkuuteho huononee ja terä on syytä vaihtaa. Käytä vain hyväksytyt valmistajan varaosaterää. Valmistaja ei vastaa väärin tasapainotetun terän aiheuttamasta vahingosta. Tarkista terää vaihtaessasi terän alkuperäinen tyyppi, joka on merkitty terään (MAKITA 263001451) (ota terää tilatessasi yhteyttä paikalliseen jälleenmyyjään tai meihin).



**VAROITUS:** Älä koske pyörivään terään.

## 11-4 MOOTTORI

Katso moottorin huolto-ohjeet erillisestä moottorioppaasta.

Lisää moottoriöljyä ruohonleikkurin mukana toimitettavan erillisen moottorioppaan mukaisesti.

Lue ohjeet huolellisesti ja toimi niiden mukaisesti. Huolla ilmanpuhdistin normaalioloissa erillisen moottorioppaan ohjeiden mukaisesti. Puhdista se muutaman tunnin välein, jos ympäristössä on runsaasti pölyä. Moottorin alentunut teho ja vuotaminen on yleensä merkki siitä, että ilmansuodatin on tarpeen puhdistaa. Huolla ilmanpuhdistin ruohonleikkurin mukana toimitettavan erillisen moottorioppaan mukaisesti. Sytytystulppa on syytä puhdistaa ja kärkiväli säätää kerran kesässä. Sytytystulpan vaihtaminen on suositeltavaa kesän alussa. Katso sytytystulpan oikea tyyppi ja kärkiväli moottorioppaasta. Puhdista moottori säännöllisesti kankaalla tai harjalla. Pidä jäähdytysjärjestelmä (tuulettimen runko) puhtaana, jotta ilma pääsee kiertämään vapaasti. Tämä on tärkeää moottorin tehon ja käyttöiän kannalta. Poista ruoho, lika ja palavat roskat äänenvaimentimen läheisyydestä.

## 12. SÄILYTYS (TALVIAIKANA)

Toimi seuraavasti, kun viet ruohonleikkurin talvivarastoon.

1. Anna moottorin käydä, kunnes polttoaine loppuu.
2. Puhdista ja voitele ruohonleikkuri perusteellisesti voiteluohjeiden mukaisesti.
3. Katso moottorin säilytysohjeet moottorioppaasta.
4. Sivele leikkuuterä kevyesti alustarasvalla ruostumisen estämiseksi.
5. Säilytä ruohonleikkuria kuivassa ja puhtaassa paikassa.



**HUOMAUTUS:**

- Kun moottorilla varustettuja laitteita säilytetään ilmastoitamattomassa varastossa tai vastaavassa;
- On huolehdittava asianmukaisesta ruostesuojauksesta. Voitele laite ja erityisesti sen vaijerit ja liikkuvat osat kevytöljyllä tai siikkonilla.
- Varo, että vaijerit eivät taivu tai taitu.
- Jos käynnistinnaru irtoaa kahvan naruohjaimesta, irrota ja maadoita sytytystulpan johto, paina teränsäätökahvasta ja vedä käynnistinnaru hitaasti ulos moottorista. Sovita käynnistinnaru sitten takaisin kahvan naruohjaimen.

## 13. VIANMÄÄRITYS

| ONGELMA  | TODENNÄKÖINEN SYY   | KORJAUSTOIMI   |
|--|---|--|
| Moottori ei käynnisty.                                     | Kaasuvipu ei ole oikeassa asennossa.  | Siirrä kaasuvipu oikeaan asentoon.   |
|  | Polttoainesäiliö on tyhjä.  | Täytä polttoainesäiliö. Katso lisätietoja moottorin käyttöoppaasta.  |
|  | Ilmanpuhdistinelementti on likainen.  | Puhdista ilmanpuhdistinelementti. Katso lisätietoja moottorin käyttöoppaasta.  |
|  | Sytytystulppa on löysällä.  | Kiristä sytytystulppa 25–30 Nm:n tiukkuuteen.  |
|  | Sytytystulpan johto on löysällä tai irti tulpasta.                            | Kiinnitä sytytystulpan johto sytytystulppaan.  |
|  | Sytytystulpan kärkiväli on väärä.   | Säädä elektrodien kärkiväliksi 0,7–0,8 mm.   |
|  | Sytytystulppa on viallinen.   | Vaihda tilalle uusi sytytystulppa, jonka kärkiväli on säädetty oikein. Katso lisätietoja moottorin käyttöoppaasta.   |
|  | Kaasuttimeen tulee liikaa polttoainetta.                                      | Irrota ilmanpuhdistinelementti ja vedä käynnistinnarusta yhtäjaksoisesti, kunnes kaasutin puhdistuu, ja pane ilmanpuhdistinelementti sitten takaisin paikalleen. |
|  | Viallinen käynnistyslaite.  | Ota yhteyttä Makitan valtuutettuun huoltoliikkeeseen.  |
| Moottorin käynnistäminen on hankalaa, tai sen teho laskee. | Likaa, vettä tai vanhaa polttoainetta polttoainesäiliössä.                    | Tyhjennä polttoaineesta ja puhdista. Täytä polttoainesäiliö puhtaalla ja tuoreella polttoaineella.   |
|  | Polttoainesäiliön korkin ilma-aukko tukossa.                                  | Puhdista tai vaihda polttoainesäiliön korkki.  |
|  | Ilmanpuhdistinelementti on likainen.  | Puhdista ilmanpuhdistinelementti.  |
| Moottorin toiminnassa on häiriöitä.                        | Sytytystulppa on viallinen.   | Vaihda tilalle uusi sytytystulppa, jonka kärkiväli on säädetty oikein. Katso lisätietoja moottorin käyttöoppaasta.   |
|  | Sytytystulpan kärkiväli on väärä.   | Säädä elektrodien kärkiväliksi 0,7–0,8 mm.   |
|  | Ilmanpuhdistinelementti on likainen.  | Puhdista ilmanpuhdistinelementti. Katso lisätietoja moottorin käyttöoppaasta.  |
| Moottorin tyhjäkäynti on heikkoa.                          | Ilmanpuhdistinelementti on likainen.  | Puhdista ilmanpuhdistinelementti. Katso lisätietoja moottorin käyttöoppaasta.  |
|  | Moottorikotelon ilma-aukot ovat tukkeutuneet.                                 | Poista lika aukoista.  |
|  | Moottorin tuulettimen rungon jäähdytysrivat ja ilmakanavat ovat tukkeutuneet. | Poista lika jäähdytysriivoista ja ilmakanavista.   |
| Moottori alkaa käydä suurella kierrosluvulla.              | Sytytystulpan elektrodien kärkiväli on liian pieni.                           | Säädä elektrodien kärkiväliksi 0,7–0,8 mm.   |
| Moottori ylikuumenee.                                      | Jäähdytysilman virtaus on estynyt.  | Poista mahdollinen lika moottorikotelon aukoista, puhaltimen rungosta ja ilmakanavista.  |
|  | Vääränlainen sytytystulppa.   | Vaihda moottoriin RJ19LMC-sytytystulppa ja -jäähdytysrivat.  |
| Ruohonleikkuri tarvitsee epänormaalisti.                   | Leikkaava osa on löysällä.  | Kiristä terä.  |
|  | Leikkaava osa on epätasapainossa.   | Tasapainota terä.  |

## 14. YMPÄRISTÖNÄKÖKOHDAT

Jos kone on tarpeen hävittää pitkän käyttöajan jälkeen, älä pane sitä talousjätteeseen vaan hävitä se ympäristön kannalta turvallisella tavalla.

**Koskee vain Euroopan maita**

**EY-vaatimustenmukaisuusvakuutus**

**Vastuullinen valmistaja Makita Corporation ilmoittaa vastaavansa siitä, että seuraava(t) Makitan valmistama(t) kone(et):**

Koneen tunnistetiedot: Bensiinikäyttöinen ruohonleikkuri Mallinro/tyyppi: PLM4621, PLM4622  
Tekniset tiedot: Katso kohta "4. Tekniset tiedot" ovat sarjavalmisteisia ja



**täyttävät seuraavien eurooppalaisten direktiivien vaatimukset:**

2006/42/EY, 2004/108/EY,  
2000/14/EY ja 2005/88/EY

ja että ne on valmistettu seuraavien standardien tai standardoitujen asiakirjojen mukaisesti:  
EN836, EN ISO14982

Teknisen dokumentaation ylläpidosta vastaa valtuutettu

Euroopan-edustajamme, jonka yhteystiedot ovat:

Makita International Europe Ltd.,  
Michigan, Drive, Tongwell,  
Milton Keynes, MK15 8JD, England

Direktiivissä 2000/14/EY edellytetty  
vaatimustenmukaisuusarviointi tehtiin liitteen VI  
mukaisesti.

Ilmoitettu laitos:

TÜV SÜD Industrie Service GmbH  
Westendstraße 199, D-80686 München  
Tunnistenumero: 0036

Malli PLM4621

Mitattu äänitehotaso: 93,1 dB  
Taattu äänitehotaso: 96 dB

Malli PLM4622

Mitattu äänitehotaso: 92,3 dB  
Taattu äänitehotaso: 96 dB

11. 11. 2011



Tomoyasu Kato  
Johtaja  
Makita Corporation  
3-11-8, Sumiyoshi-cho,  
Anjo, Aichi, JAPAN

## Vysvětlení k celkovému pohledu

- |                                  |                          |                               |
|----------------------------------|--------------------------|-------------------------------|
| 1. Horní držadlo                 | 6. Vodítko lanka         | 11. Víčko palivové nádrže     |
| 2. Držadlo ovládání zastavení    | 7. Sběrací vak           | 12. Víčko olejové nádrže      |
| 3. Držadlo ovládání pojezdu      | 8. Páčka nastavení výšky | 13. Příchytka kabelu          |
| 4. Páčka nastavení otáček motoru | 9. Kryt                  | 14. Pojistný knoflík          |
| 5. Rukojeť startéru              | 10. Zapalovací svíčka    | 15. Páčka nastavení rychlosti |



### VAROVÁNÍ

Před uvedením nového zařízení do provozu si v zájmu vlastní bezpečnosti nejprve přečtěte tuto příručku. Nedodržení pokynů může vést k vážnému zranění. Před každým použitím se krátce seznámte s ovládáním sekačky.

## 1. SYMBOLY VYZNAČENÉ NA VÝROBKU



Přečtěte si uživatelskou příručku.



Nepracujte v blízkosti okolostojících osob.



Obsluha musí dávat pozor na ruce a nohy, aby nedošlo ke zranění.



Benzínové výpary jsou toxické – nepracujte uvnitř budov.



Palivo je hořlavé, nepřibližujte se k otevřenému ohni. Palivo nenalévejte do spuštěné sekačky.



Při sekání používejte brýle a ochranu sluchu.



Při opravě vyjměte zapalovací svíčku a při opravě postupujte podle návodu k o obsluze.



Upozornění: Motor je horký.



Motor se vypíná volněním spínacího madla.

Přitážením držadla ovládání pojezdu se rozjedete vpřed.

## 2. VŠEOBECNÁ BEZPEČNOSTNÍ PRAVIDLA



**VAROVÁNÍ:** Při práci s zařízením poháněným spalovacím motorem je vždy třeba dodržovat základní bezpečnostní opatření (včetně níže uvedených). Zamezte tak nebezpečí vážného zranění či poškození zařízení.

Před prací se zařízením si přečtěte veškeré pokyny a uchovejte je pro pozdější využití.



**VAROVÁNÍ:** Při provozu tohoto stroje vzniká elektromagnetické pole. Za určitých okolností může toto pole narušit činnost aktivních či pasivních lékařských implantátů. Osobám s lékařskými implantáty proto v zájmu eliminace nebezpečí vážného poškození zdraví nebo i smrtelného úrazu doporučujeme, aby se před použitím tohoto zařízení poradily s lékařem nebo výrobcem příslušného implantátu.

### Průprava

- Pečlivě si přečtěte pokyny. Obeznamte se s ovládacími prvky a správným používáním zařízení.
- Nikdy nedovolte, aby sekačku obsluhovaly děti nebo osoby neobeznamené s těmito pokyny. Věk obsluhy může být omezen místními předpisy.
- Nikdy nesekejte v blízkosti osob, zvláště pak dětí a domácích zvířat.
- Pamatujte, že za nehody nebo vystavení nebezpečí jiných osob a jejich majetku odpovídá obsluha či uživatel.

### Příprava

- Při sekání vždy noste pevnou obuv a dlouhé kalhoty. Se zařízením nepracujte naboso ani v otevřených sandálech.

- Řádně prohlédněte místo, kde budete se zařízením pracovat a odstraňte veškeré předměty, jež mohou být sekačkou odmrštěny.
- **VAROVÁNÍ** – benzín je vysoce hořlavý.
  - palivo skladujte v nádobách speciálně navržených pro tento účel;
  - palivo doplňujte pouze venku a při této činnosti nekuřte;
  - palivo doplňujte před spuštěním motoru. Jestliže je sekačka spuštěná nebo pokud je motor horký, nikdy nesnímejte víčko palivové nádrže ani nedoplňujte palivo;
  - při rozliti benzínu se nepokoušejte nastartovat motor, ale přesuňte zařízení z místa politého benzínem a před odpařením paliva dejte pozor, abyste nezpůsobili jeho vznícení;
  - pevně zašroubujte víčko nádrže i víčko nádoby s palivem.
- Pokud je vadný tlumič, vyměňte jej.
- Před prací vždy vizuálně zkontrolujte, zda není opotřebený či poškozený sekací nůž, šrouby nože a sekací sestava. Opotřebený či poškozený nůž se šrouby vyměňujte v celé sadě, abyste zachovali vyváženost.

## Provoz

- Nespouštějte motor v omezených prostorách, kde se mohou shromažďovat nebezpečné zplodiny oxidu uhelnatého.
- Sekajte pouze za denního světla nebo při dobrém umělém světle.
- Se zařízením nepracujte pokud možno v mokré trávě.
- Při práci ve svahu vždy dávejte pozor, kam šlapete.
- Kráčejte – nikdy neběhejte.
- S kolovými sekačkami pojíždějte při sekání po vrstevnicích svahu, nikdy nahoru a dolů.
- Při změně směru ve svahu buďte mimořádně opatrní.
- Nesekejte v příliš strmých svazích.
- Buďte mimořádně opatrní při otáčení nebo tahání sekačky směrem k sobě.
- Při nutnosti naklonění sekačky kvůli transportu s přejížděním jiných než travnatých ploch a při transportu sekačky na pracoviště a z pracoviště vypněte motor pohánějící nůž (nože).
- Nikdy nepracujte se sekačkou s vadnými kryty nebo se sejmутým bezpečnostním zařízením, například bez krytu vyhazovacího kanálu nebo bez sběracího koše.
- Neměňte nastavení regulátoru motoru a motor nepřetěžujte.
- Před spuštěním motoru vypněte všechny spojky nožů a pohonu.
- Motor startujte opatrně podle pokynů a s nohama v dostatečné vzdálenosti od nože (nožů).
- Při spuštění motoru sekačku nenaklápějte.
- Motor nespouštějte, jestliže stojíte před vyhazovacím kanálem.
- Do blízkosti nebo pod rotující díly nestrkejte ruce ani nohy. Vždy se zdržujte mimo dosah vyhazovacího kanálu.
- Pokud je motor v chodu, sekačku nikdy neberte do rukou a nepřeházejte.
- V následujících situacích vypněte motor, odpojte kabel zapalovací svíčky, ujistěte se, zda se všechny

- pohyblivé díly zcela zastavily a u modelů vybavených klíčem vyjměte klíč:
  - před uvolňováním zablokování nebo při uvolňování ucpaného vyhazovacího kanálu;
  - před kontrolou, čištěním nebo prací na sekačce;
  - po odmrštění cizorodého předmětu. Sekačku zkontrolujte, zda není poškozená a před opětovným spuštěním a pracovním využitím proveďte případnou opravu;
  - jestliže sekačka začne neobvykle vibrovat (provedte okamžitou kontrolu).
- V následujících situacích vypněte motor, odpojte kabel zapalovací svíčky, ujistěte se, zda se všechny pohyblivé díly zcela zastavily a u modelů vybavených klíčem vyjměte klíč:
  - kdykoli se od sekačky vzdálíte;
  - před doplňováním paliva.
- Při vypínání motoru uberte plyn a jestliže je motor vybaven uzavíracím ventilem, uzavřete po skončení sekání přívod paliva.
- Sekačku na trávu používejte pouze pro určený účel – k sekání a sběru trávy. Jakékoli jiné využití může být nebezpečné a může vést k poškození zařízení.

## Údržba a uložení

- Všechny matice, šrouby a vruty udržujte dotažené – zajistíte tak bezpečnou provozuschopnost zařízení.
- Zařízení s benzinem v nádrži nikdy neukládejte v budovách, kde se mohou výpary dostat do kontaktu s otevřeným ohněm či jiskrami.
- Při ukládání v uzavřených prostorách nechte nejprve motor vychladnout.
- V rámci omezení nebezpečí vzniku požáru udržujte motor, tlumič, prostor akumulátoru a místo uložení benzínu čisté a beze zbytků trávy, listů či nadbytečné mastnoty.
- Často kontrolujte sběrací koš, zda není opotřebený či poškozený.
- V rámci zajištění bezpečnosti poškozené díly vyměňte.
- V případě nutnosti vypuštění palivové nádrže pracujte venku.



**VAROVÁNÍ:** Nedotýkejte se rotujícího nože.



**VAROVÁNÍ:** Palivo doplňujte v dobře větraném prostoru a s vypnutým motorem.

## 3. POPIS SOUČÁSTÍ (Obr. 1 a 2)

### Další součásti

A: Klíč na zapalovací svíčku

B: Muřčovací klín

## 4. TECHNICKÉ ÚDAJE

| Model                                    | PLM4621                     | PLM4622                      |
|--|-----------------------------|------------------------------|
| Typ motoru                               | Řada B a S 650E, ReadyStart | Řada B a S 675EX, ReadyStart |
| S pojazdem                               | Ano                         | Ano                          |
| Zdvihový objem motoru                    | 190 ccm                     | 190 ccm                      |
| Délka nože                               | 460 mm                      | 460 mm                       |
| Volnoběžné otáčky                        | 2 800/min                   | 2 800/min                    |
| Objem palivové nádrže                    | 1 l                         | 1 l                          |
| Objem olejové nádrže                     | 0,6 l                       | 0,6 l                        |
| Objem sběracího vaku                     | 60 l                        | 60 l                         |
| Čistá hmotnost                           | 33,8 kg                     | 35,4 kg                      |
| Výškové nastavení                        | 20-75 mm, 5 nastavení       | 20-75 mm, 5 nastavení        |
| Hlučnost dle normy EN836                 |                             |                              |
| Hladina akustického tlaku ( $L_{pA}$ ):  | 81,5 dB (A)                 | 83,1 dB (A)                  |
| Hladina akustického výkonu ( $L_{wA}$ ): | 93,1 dB (A)                 | 92,3 dB (A)                  |
| Nejistota (K):                           | 2,41 dB (A)                 | 2,75 dB (A)                  |
| Vibrace dle normy EN836                  |                             |                              |
| Emise vibrací ( $a_{H1}$ ):              | 6,4 m/s <sup>2</sup>        | 7,5 m/s <sup>2</sup>         |
| Nejistota (K):                           | 1,5 m/s <sup>2</sup>        | 1,5 m/s <sup>2</sup>         |

## 5. MONTÁŽ

### 5-1 MONTÁŽ SKLÁPĚCÍHO DRŽADLA

- A) Dolní část držadla upevněte pojistnými knoflíky k plášti jednotky tak, jak je znázorněno na obrázku. (**Obr. 3, Obr. 4, Obr. 5, Obr. 6**)
- B) Uvolněte horní část držadla ke sklopení. Horní a dolní část držadla spojte pojistným knoflíkem. (**Obr. 7, Obr. 8**)
- C) Všechny kabely a bovdeny umístěte k tyčím držadel. Přichyťte je kolem středu dolních částí držadel přichytkami tak, aby byly uchyceny z vnější strany zařízení. Jinak by mohlo dojít ke skřípnutí kabelu či bovdeny otevřením či zavřením zadního krytu nebo jejich vytažováním sklápěním horního držadla. (**Obr. 9**)

### 5-2 MONTÁŽ SBĚRACÍHO KOŠE

1. Nasazení: Zvedněte zadní kryt a sběrací koš zahákněte za tyč zadní části sekačky. (**Obr. 10, Obr. 11**)
2. Sejmутí: Uchopte a zvedněte zadní kryt a pak sběrací koš sejměte.

### 5-3 RUKOJEŤ STARTÉRU

Rukojeť startéru přesuňte od motoru k vodičku lanka. (**Obr. 12, Obr. 13**)

### 5-4 VÝŠKA POKOSU

Zatlačením směrem ven uvolněte páčku ze zářezu. Přesunutím páčky směrem vpřed nebo zpět nastavte výšku. (**Viz obr. 14 a odstavec 8-9**)

## 6. NASTAVENÍ SPRÁVNÉ VÝŠKY

- 1) Odšroubujte pojistný knoflík přidržující dolní část držadla, viz **Obr. 15**.
- 2) Podle **Obr. 16** nastavte přesunutím dolní části držadla nahoru či dolů správnou výšku.

U tohoto typu sekačky jsou k dispozici 3 nastavení výšky. V poloze 1 je dolní držadlo vůči zemi nejvýše a v poloze 3 je výška nejmenší.

- 3) Po nastavení správné výšky dolní část držadla upevněte pojistnými knoflíky.



**VAROVÁNÍ:** Levá a pravá strana dolní části držadla musí být nastaveny ve stejné výšce.

## 7. MULČOVACÍ SEKAČKA

Co je mulčování?

Při mulčování se tráva nejprve usekne a pak se po jemném rozsekání vrací na trávník jako přírodní hnojivo. Rady k mulčovacímu sekání:

- Pravidelně sekejte max. 2 cm s ponecháním trávy vysoké 6 až 4 cm.
- Používejte ostrý sekací nůž.
- Nesekejte mokrou trávu.
- Nastavte max. otáčky motoru.
- Sekejte pouze v tempu chůze.
- Pravidelně čistěte mulčovací klín, vnitřní stranu pláště sekačky a sekací nůž.



**VAROVÁNÍ:** Pracujte pouze se zastaveným motorem a sekacím nožem v klidu.

1. Zvedněte zadní kryt a vyjměte sběrací koš.
2. Mulčovací klín zatlačte do krytu. Mulčovací klín zajistěte tlačítkem v otvoru krytu. (**Obr. 17, Obr. 18**)
3. Zadní kryt spusťte zpět dolů.

## 8. NÁVOD K OBSLUZE

### 8-1 NEŽ ZAČNETE

Podle pokynů v samostatné příručce k motoru dodané k sekačce naplňte nádrže motoru benzínem a olejem.

Pečlivě si přečtěte pokyny.



**VAROVÁNÍ:** Benzín je vysoce hořlavý.

Palivo skladujte v nádobách speciálně navržených pro tento účel.

Benzín doplňujte pouze venku před spuštěním motoru a při doplňování či manipulaci s palivem nekuřte.

Jestliže je sekačka spuštěná nebo pokud je motor horký, nikdy nesnímejte víčko palivové nádrže ani nedoplňujte palivo.

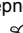
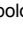
Při rozliti benzínu se nepokoušejte nastartovat motor, ale přesuňte zařízení z místa politého benzínem a před odpařením paliva dejte pozor, abyste nezpůsobili jeho vznícení.

Pevně zašroubujte víčko nádrže i víčko nádoby s palivem. Před sklopením sekačky za účelem údržby nože či vypuštění oleje vyprázdněte palivovou nádrž.



**VAROVÁNÍ:** Palivovou nádrž nikdy nenaplňujte uvnitř budov, se spuštěným motorem ani před vychladnutím motoru po uplynutí alespoň 15 minut po vypnutí.

### 8-2 SPUŠTĚNÍ MOTORU A ZAHÁJENÍ SEKÁNÍ

1. Zařízení je vybaveno pryžovou prachovkou přetaženou přes konec zapalovací svíčky. Ujistěte se, zda je kovové očko na konci kabelu zapalovací svíčky (uvnitř pryžové prachovky) pevně nasazeno na kovovém konci zapalovací svíčky.
2. Při startování studeného motoru přepněte páčku nastavení otáček motoru do polohy „“. Při startování teplého motoru a za provozu přepněte páčku nastavení otáček motoru do polohy „“.  
**(Obr. 19)**
3. Postavte k zadní straně sekačky, uchopte držadlo ovládání zastavení a přitiskněte jej k hornímu držadlu tak, jak je znázorněno na **Obr. 20**.
4. Uchopte rukojeť startéru podle **Obr. 20** a rychle za něj zatáhněte. Po nastartování motoru rukojeť pomalu vraťte k šroubu vodítka lanka. Chcete-li vypnout motor a zastavit nůž, uvolněte držadlo ovládání zastavení.



Motor startujte opatrně podle pokynů a s nohama v dostatečné vzdálenosti od nože.



Při spouštění motoru sekačku nenaklápějte. Motor startujte na rovné ploše bez vysoké trávy či překážek.



Nepřibližujte ruce ani nohy k rotujícím dílům. Motor nespouštějte, jestliže stojíte před otvorem vyhazovacího kanálu.

### 8-3 POSTUP PŘI PROVOZU

Během provozu oběma rukama pevně přidržujte držadlo ovládání zastavení.



**Poznámka:** Při provozu se po uvolnění držadla ovládání zastavení motor zastaví a sekačka přestane pracovat.

### 8-4 VYPNUTÍ MOTORU



**UPOZORNĚNÍ:** Po vypnutí motoru se nůž ještě několik vteřin otáčí.

1. Chcete-li vypnout motor a zastavit nůž, uvolněte držadlo ovládání zastavení.
2. Náhodnému spuštění zařízení bez dozoru zamezíte odpojením a uzemněním kabelu zapalovací svíčky tak, jak je uvedeno v samostatném návodu k obsluze motoru.

### 8-5 SPOJKA POJEZDU

**Platí pro model PLM4621**

Přitáhněte držadlo ovládání pojezdu a sekačka se automaticky rozjede vpřed rychlostí zhruba 1 m/s. Jestliže držadlo ovládání pojezdu pustíte, pojezd sekačky se zastaví.

**Platí pro model PLM4622**

Sekačka je vybavena systémem nastavování rychlosti umožňujícím nastavit 3 rychlosti od 3 km/h do 4,5 km/h. Postupujte následovně:

1. Uvolněním držadla ovládání pojezdu zastavte pojezd sekačky.
2. Nastavte příslušnou požadovanou rychlost.
3. Přitáhnutím držadla ovládání pojezdu uveďte sekačku do pohybu. **(Obr. 21)**



**UPOZORNĚNÍ:** Sekačka je navržena k sekání běžných trávníků vysokých maximálně 250 mm. Nepokoušejte se sekat mimořádně vysokou a suchou či mokrou travu (např. pastviny) ani hromady suchého listí. V krytu sekačky se může usazovat drť nebo může dojít ke kontaktu s výfukem motoru, což představuje nebezpečí vzniku požáru.

### 8-6 JAK PŘI MULČOVÁNÍ DOSÁHNOUT NEJLEPŠÍCH VÝSLEDKŮ

Vyčistěte trávnik. Ujistěte se, zda nejsou v trávě kameny, klacky, dráty či jiné cizorodé předměty, jež by mohly být sekačkou nechtěně odmrštěny jakýmkoli směrem a mohly tak způsobit vážné zranění obsluhy či jiných osob, anebo škody na majetku a okolních objektech. Nesekejte mokrou travu. Při efektivním mulčování není vhodné sekat mokrou travu, jež má tendenci ulpívat na vnitřní straně krytu, kde zamezují správnému rozsekávání kousků trávy. Nesekejte více než 1/3 délky trávy. Při mulčování se doporučuje sekat 1/3 délky trávy. Rychlost je třeba přizpůsobit tak, aby se posekaná tráva rovnoměrně rozptýlila po trávniku. Při zvláště náročném sekání husté trávy může být nutné využít co nejpomalejší rychlost, abyste dosáhli čistého střihu s dobrým mulčováním. Při mulčování dlouhé trávy bude pravděpodobně třeba sekat trávnik ve dvou fázích se spuštěním nože o další 1/3 délky trávy pro druhý střih a zejména i sekání z jiného směru než v předchozí fázi.

Důkladnému vysekání celé plochy trávníku rovněž napomůžete mírným překrytím pásů při každém průchodu. Sekačku je třeba používat vždy s plným plynem, čímž dosáhnete nejlepšího stříhu a umožníte mulčování s nejvyšší efektivitou. Vyčistíte spodní stranu krytu.

Po každém použití zabezpečte vyčištění spodní strany krytu sekačky, abyste zamezili hromadění trávy, jež by bránila správnému mulčování. Mulčování listí. Pro trávník může být prospěšné i mulčování listí. Při mulčování listí se ujistěte, zda je listí suché a zda na trávníku neleží v příliš silné vrstvě. S mulčováním nečekejte, až ze stromů opadá všechno listí.



**VAROVÁNÍ:** Jestliže narazíte na cizorodý předmět, vypněte motor. Odpojte kabel od zapalovací svíčky, sekačku důkladně prohlédněte, zda nedošlo k jejím poškozením a před opětovným spuštěním a uvedením do provozu ji nechte opravit. Přílišné vibrace sekačky za provozu jsou známkou poškození. Zařízení je třeba neprodleně prohlédnout a opravit.

## 8-7 SBĚRACÍ KOŠ

Vak vyprázdňte, vyčistěte a ujistěte se, zda je jeho síťovina prodyšná. (Obr. 22)

## 8-8 KRYT

Spodní stranu krytu sekačky je třeba po každém použití vyčistit, aby se zamezilo hromadění kousků trávy, listí, nečistot atd. Nahromaděná drť vyvolává korozi, narušuje povrch a může zamezit správnému mulčování. Kryt lze očistit nakloněním sekačky a oškrábáním nečistot vhodným nástrojem (ujistěte se, zda je odpojen kabel zapalovací svíčky).

## 8-9 POKYNY K NASTAVENÍ VÝŠKY



**UPOZORNĚNÍ:** Nikdy neprovádějte žádné nastavování sekačky bez předchozího vypnutí motoru a odpojení kabelu zapalovací svíčky.



**UPOZORNĚNÍ:** Před změnou výšky pokosu vypněte sekačku a odpojte kabel zapalovací svíčky. Sekačka je vybavena páčkou centrálního nastavení výšky, jež nabízí celkem 5 poloh.

1. Před změnou výšky pokosu vypněte sekačku a odpojte kabel zapalovací svíčky.
2. Páčka centrálního nastavení výšky nabízí 5 různých poloh.
3. Jestliže chcete výšku pokosu změnit, stlačte nastavovací páčku směrem ke kolu a přesuňte ji nahoru nebo dolů do požadované výšky (Obr. 23). Všechna kola budou ve stejné výšce pokosu.

## 9. POKYNY K ÚDRŽBĚ

### ZAPALOVACÍ SVÍČKA

Používejte pouze originální náhradní zapalovací svíčky. K dosažení nejlepších výsledků vyměňte zapalovací svíčku

po každých 100 hodinách práce. (viz PŘÍRUČKA K MOTORU)

## 10. POKYNY K MAZÁNÍ



**UPOZORNĚNÍ:** PŘED PROVÁDĚNÍM ÚDRŽBY ODPOJTE ZAPALOVACÍ SVÍČKU.

1. KOLA – nejméně jednou za sezónu namažte olejem kulíčková ložiska v každém kole.
2. MOTOR – pokyny k mazání naleznete v příručce k motoru.
3. OVLÁDÁNÍ NOŽE – alespoň jednou za sezónu promažte olejem kontaktní body držadla ovládání nože a brzdové lanko. Ovládání nože se musí volně pohybovat oběma směry.

## 11. ČIŠTĚNÍ



**UPOZORNĚNÍ:** Na motor nestříkejte hadicí. Voda může poškodit motor nebo znečistit palivový systém.

1. Kryt otřete suchou tkaninou.
2. Hadicí můžete opláchnout spodní kryt po naklonění sekačky tak, aby byla zapalovací svíčka nahore.

### 11-1 VZDUCHOVÝ FILTR MOTORU



**UPOZORNĚNÍ:** Nedovolte, aby se pěnová vložka vzduchového filtru ucpala nečistotami či prachem.

Vzduchový filtr motoru je třeba vyčistit po 25 hodinách běžného provozu. Pokud sekačku používáte v suchých a prašných podmínkách, je třeba pěnovou vložku pravidelně čistit. (viz PŘÍRUČKA K MOTORU)

### ČIŠTĚNÍ VZDUCHOVÉHO FILTRU

1. Vyjměte šroub.
2. Sejměte kryt.
3. Filtrační vložku vyperte v mýdlové vodě.  
**NEPOUŽÍVEJTE BENZIN!**
4. Filtrační vložku vysušte.
5. Na pěnový filtr kápněte několik kapek oleje SAE30 a pevným zmáčknutím odstraňte veškerý přebytečný olej.
6. Filtr namontujte zpět.



**POZNÁMKA:** Filtr vyměňte, pokud je proředený, opotřebovaný, poškozený nebo pokud jej nelze vyčistit. (Obr. 24)

### 11-2 SEKACÍ NŮŽ



**UPOZORNĚNÍ:** Před prováděním prací na sekacím noži se ujistěte, zda jste odpojili a uzemnili zapalovací svíčku, abyste zamezili náhodnému spuštění motoru. Při kontaktu se sekacím nožem si chráňte ruce silnými rukavicemi nebo použijte hadr.

Sekačku nakloňte podle pokynů v samostatné příručce k motoru. Odmontujte šroub se šestihlannou hlavou a podložku přidržující nůž s adaptérem nože na hřídeli motoru. Z hřídele sejměte nůž s adaptérem.



**VAROVÁNÍ:** Nůž pravidelně kontrolujte, zda nemá praskliny – zvláště pokud narazíte na cizorodý předmět. V případě nutnosti jej vyměňte. K dosažení nejlepších výsledků je zapotřebí ostrého nože. Nůž můžete po vyjmutí naostřit broušením či opilováním ostří s co nejpřesnějším zachováním původního zkosení. Při broušení je mimořádně důležité odebrat z každého ostří stejné množství materiálu, abyste uchovali vyváženost nože. Nesprávně vyvážený nůž bude příliš vibrovat a může případně poškodit motor i sekačku. Po naostření zajistěte pečlivě vyvážení nože. Vyváženost nože můžete zkontrolovat nasazením na kulatý dřív šroubovák. Z těžší strany odebírejte materiál, až docílíte rovnoměrného vyvážení. **(Obr. 25)**

Před namontováním nože s příslušným adaptérem zpět do jednotky namažte hřídel motoru a vnitřní plochu nožového adaptéru olejem. Nožový adaptér namontujte na hřídel „hvězdou“ směrem od motoru. Viz **Obr. 25**. Nůž umístěte číslem dílu směrem od adaptéru. Na noži vyrovnejte podložku a namontujte šroub se šestihlannou hlavou. Šroub se šestihlannou hlavou dotáhněte níže uvedeným momentem.

### 11-3 UTAHOVACÍ MOMENT PŘI MONTÁŽI NOŽE

Středový šroub musí být dotažen momentem 35–45 Nm. Zajistíte tak bezpečný provoz zařízení. Správné dotažení VEŠKERYCH matic a šroubů musí být pravidelně kontrolováno. Po dlouhodobějším používání, zvláště v podmínkách s prašnou půdou, dojde k opotřebení nože a určité ztrátě původního tvaru. Omezí se efektivita sekání a nůž bude třeba vyměnit.

Nůž nahradte pouze schváleným továrním výrobkem.

Výrobce nenese odpovědnost za možné škody způsobené nevyvážeností nože.

Při výměně je nutné použít originální díl s označením na noži (MAKITA 263001451) (pokud si chcete nůž objednat, obraťte se na místního prodejce nebo zavolejte do naší společnosti).



**VAROVÁNÍ:** Nedotýkejte se rotujícího nože.

### 11-4 MOTOR

Pokyny k údržbě motoru naleznete v samostatné příručce k motoru.

Výměnu motorového oleje provádějte podle pokynů v samostatné příručce k motoru dodané k sekačce.

Pokyny si přečtěte a pečlivě podle nich postupujte.

Za normálních podmínek čistěte vzduchový filtr podle pokynů v samostatné příručce k motoru. V mimořádně prašných podmínkách čistěte filtr vždy po několika hodinách. Slabý výkon a přesycování motoru obvykle naznačují nutnost provedení údržby vzduchového filtru. Při čištění vzduchového filtru nahlédněte do samostatné příručky k motoru přibalené k sekačce.

Jednou za sezónu je třeba vyčistit zapalovací svíčku a seřadit mezeru mezi elektrodami. Na začátku sezóny

doporučujeme provést výměnu zapalovací svíčky. Informace o správném typu svíčky a vzdálenosti elektrod naleznete v příručce k motoru.

Motor pravidelně čistěte tkaninou nebo kartáčem.

Chladicí systém (oblast pláště ventilátoru) udržujte v čistotě, abyste zajistili správnou cirkulaci vzduchu, jež je nezbytná ke správnému výkonu a dlouhé životnosti motoru. Z oblasti tlumiče odstraňte všechnu trávu, nečistoty a hořlavou drť.

## 12. POKYNY K ULOŽENÍ (MIMO SEZÓNU)

V rámci přípravy sekačky na uložení je zapotřebí provést následující kroky.

1. Při posledním sekání v sezóně vypotřebujte palivovou nádrž do dna.
2. Sekačku důkladně vyčistěte a promažte podle popisu v pokynech k mazání.
3. Pokyny ke správnému uložení motoru naleznete v příručce k motoru.
4. Sekací nůž mírně potřete mazacím tukem, abyste zamezili rezavění.
5. Sekačku uložte na suchém a čistém místě.



### POZNÁMKA:

- Při skladování jakéhokoli typu motorového zařízení v nedostatečně větráných skladovacích prostorech postupujte následovně;
- Věnujte péči ochraně zařízení proti korozi. Zařízení namažte olejem či silikonem – zvláště pak lanka a pohyblivé díly.
- Dejte pozor, abyste lanka nezohýbali a nezkroutili.
- Jestliže se lanko startéru vyvlékne z vodítka lanka na držadle, odpojte a uzemněte zapalovací svíčku, přitáhněte držadlo ovládání nože a pomalu zatáhněte za startovací lanko směrem od motoru. Startovací lanko provlečte ke šroubu vodítka lanka na držadle.

## 13. ODSTRAŇOVÁNÍ PROBLÉMŮ

| PROBLÉM   | PRÁVĚPODOBNÁ PŘÍČINA   | NÁPRAVA   |
|---|--|---|
| Motor nespustí.                                       | Páčka plynu není vzhledem k aktuálním podmínkám ve správné poloze.             | Páčku plynu přesuňte do správné polohy.   |
|   | Palivová nádrž je prázdná.   | Naplňte nádrž palivem: viz PŘÍRUČKA K MOTORU.   |
|   | Vložka vzduchového filtru je znečištěná.                                       | Vyčistěte vložku vzduchového filtru: viz PŘÍRUČKA K MOTORU.   |
|   | Zapalovací svíčka je povolená.   | Zapalovací svíčku dotáhněte momentem 25–30 Nm.  |
|   | Kabel zapalovací svíčky je uvolněný nebo odpojený od svíčky.                   | Na svíčku nasadte kabel zapalovací svíčky.  |
|   | Vzdálenost elektrod zapalovací svíčky je nesprávná.                            | Nastavte vzdálenost elektrod na 0,7 až 0,8 mm.  |
|   | Zapalovací svíčka je vadná.  | Namontujte novou svíčku se správně nastavenou vzdáleností elektrod: viz PŘÍRUČKA K MOTORU.                        |
|   | Karburátor je přesycený.   | Vyjměte vložku vzduchového filtru, taháním za lanko startéru vyprázdněte karburátor a vložku filtru nasadte zpět. |
| Startování motoru je obtížné nebo motor ztrácí výkon. | Závada modulu zapalování.  | Kontaktujte autorizované servisní středisko MAKITA.   |
|   | Nečistota, voda nebo zvětralé palivo v nádrži.                                 | Vypusťte palivo a vyčistěte nádrž. Nádrž naplňte čistým a čerstvým palivem.                                       |
|   | Je ucpaný ventilační otvor ve víčku palivové nádrže.                           | Otvor vyčistěte nebo vyměňte víčko palivové nádrže.   |
| Motor pracuje nepravdělně.                            | Vložka vzduchového filtru je znečištěná.                                       | Vyčistěte vložku vzduchového filtru.  |
|   | Zapalovací svíčka je vadná.  | Namontujte novou svíčku se správně nastavenou vzdáleností elektrod: viz PŘÍRUČKA K MOTORU.                        |
|   | Vzdálenost elektrod zapalovací svíčky je nesprávná.                            | Nastavte vzdálenost elektrod na 0,7 až 0,8 mm.  |
| Chybí volnoběh motoru.                                | Vložka vzduchového filtru je znečištěná.                                       | Vyčistěte vložku vzduchového filtru: viz PŘÍRUČKA K MOTORU.   |
|   | Vzduchové štěrby v krytu motoru jsou ucpané.                                   | Štěrby vyčistěte od nečistot.   |
|   | Chladicí žebra a vzduchové kanálky pod pláštěm ventilátoru motoru jsou ucpané. | Odstraňte nečistoty z chladicích žebířek a vzduchových kanálků.   |
| Motor ve vysokých otáčkách vynechává.                 | Mezera mezi elektrodami zapalovací svíčky je příliš malá.                      | Nastavte vzdálenost elektrod na 0,7 až 0,8 mm.  |
| Motor se přehřívá.                                    | Průtok chladicího vzduchu je omezený.  | Odstraňte veškeré nečistoty z drážek v krytu, pláště ventilátoru a vzduchových kanálků.                           |
|   | Nesprávná zapalovací svíčka.   | Do motoru namontujte zapalovací svíčku RJ19LMC a chladicí žebra.  |
| Sekačka abnormálně vibruje.                           | Sekací sestava je uvolněná.  | Dotáhněte nůž.  |
|   | Sekací sestava je nevyvážená.  | Vyvažte nůž.  |

## 14. OCHRANA ŽIVOTNÍHO PROSTŘEDÍ

Bude-li nutno zařízení po delším používání vyměnit, nevyhazujte jej do domovního odpadu, ale zajistěte jeho bezpečnou ekologickou likvidaci.

**Pouze pro evropské země**

**ES prohlášení o shodě**

**Společnost Makita Corporation jako odpovědný výrobce prohlašuje, že níže uvedené zařízení Makita:**

Popis zařízení: Benzínová sekačka na trávu

Č. modelu/typ: PLM4621, PLM4622

Technické údaje: Viz část „4. Technické údaje“

vychází ze sériové výroby



**a vyhovuje následujícím evropským směrnicím:**

2006/42/ES, 2004/108/ES,

2000/14/ES a 2005/88/ES

a bylo vyrobeno v souladu s následujícími normami či  
normativními dokumenty:

EN836, EN ISO14982

Technická dokumentace je k dispozici u našeho  
autorizovaného zástupce v Evropě:

Makita International Europe Ltd.,

Michigan, Drive, Tongwell,

Milton Keynes, MK15 8JD, England

Postup posuzování shody vyžadovaný směrnicí 2000/14/  
ES byl proveden v souladu s přílohou VI.

Notifikovaná organizace:

TÜV SÜD Industrie Service GmbH

Westendstraße 199, D-80686 München

Identifikační číslo: 0036

Model PLM4621

Naměřená hladina akustického výkonu: 93,1 dB

Zaručená hladina akustického výkonu: 96 dB

Model PLM4622

Naměřená hladina akustického výkonu: 92,3 dB

Zaručená hladina akustického výkonu: 96 dB

11. 11. 2011



Tomoyasu Kato

Ředitel

Makita Corporation

3-11-8, Sumiyoshi-cho,

Anjo, Aichi, JAPAN

**Objaśnienia do widoku ogólnego**

- |                               |                                 |                                  |
|-------------------------------|---------------------------------|----------------------------------|
| 1. Górna część uchwyty        | 6. Prowadnica linki             | 11. Korek wlewu paliwa           |
| 2. Uchwyt wyłącznika          | 7. Kosz na trawę                | 12. Korek wlewu oleju            |
| 3. Uchwyt wyłącznika napędu   | 8. Dźwignia regulacji wysokości | 13. Zacisk przewodu              |
| 4. Dźwignia prędkości silnika | 9. Korpus                       | 14. Pokrętko blokujące           |
| 5. Uchwyt rozrusznika         | 10. Świeca zapłonowa            | 15. Dźwignia regulacji prędkości |



**OSTRZEŻENIE**

Ze względów bezpieczeństwa należy przeczytać niniejszą instrukcję przed rozpoczęciem eksploatacji nowego urządzenia. Nieprzestrzeganie instrukcji może być przyczyną poważnego wypadku. Należy poświęcić chwilę na zapoznanie się z kosiarką przed rozpoczęciem użytkowania.



Uwaga: Silnik jest gorący.



Zwolnić uchwyt wyłącznika, aby zatrzymać silnik.



Chwycić uchwyt wyłącznika napędu, aby ruszyć do przodu.

**1. SYMBOLE UMIESZCZONE NA URZĄDZENIU**



Należy przeczytać instrukcję obsługi.



Osoby postronne nie powinny się zbliżać do kosiarki.



Należy zwracać szczególną uwagę na dłonie i stopy, aby uniknąć obrażeń.



Toksyczne opary; Nie uruchamiać w pomieszczeniach.



Paliwo jest łatwopalne, nie zbliżać się do otwartym ogniem. Nie wolno uzupełniać paliwa w pracującym urządzeniu.



Podczas koszenia należy nosić okulary ochronne i zatyczki do uszu.



Podczas naprawy należy wymontować świecę zapłonową, a następnie naprawić ją zgodnie z instrukcją obsługi.

**2. OGÓLNE ZASADY BEZPIECZEŃSTWA**



**OSTRZEŻENIE:** Podczas pracy z urządzeniami spalinowymi należy przestrzegać podstawowych zasad bezpieczeństwa, również tych podanych poniżej, aby zmniejszyć niebezpieczeństwo obrażeń lub szkód materialnych.

Należy przeczytać instrukcję przed rozpoczęciem użytkowania urządzenia; trzeba je zachować do przyszłego wykorzystania.



**OSTRZEŻENIE:** Podczas pracy maszyna wytwarza pole elektromagnetyczne. W pewnych warunkach to pole może zakłócać pracę aktywnych lub pasywnych implantów medycznych. Aby zmniejszyć ryzyko poważnych lub śmiertelnych obrażeń, zalecamy osobom z implantami medycznymi skonsultowanie się z lekarzem i producentem implantów medycznych przed przystąpieniem do obsługi tej maszyny.

**Zaznajomienie się z urządzeniem**

- Należy uważnie przeczytać niniejszą instrukcję. Należy poznać elementy sterowania i zasady właściwego użytkowania urządzenia.
- Nie wolno dopuszczać, aby kosiarki do trawy używały dzieci lub osoby, które nie zapoznały się z niniejszą instrukcją. Lokalne przepisy mogą ograniczać wiek użytkownika urządzenia.
- Nie wolno użytkować kosiarki, gdy w pobliżu znajdują się inne osoby (zwłaszcza dzieci) oraz zwierzęta.
- Należy pamiętać, że operator lub użytkownik odpowiada za wypadki lub niebezpieczeństwa zagrażające innym osobom lub ich mieniu.

## Przygotowanie

- Podczas koszenia należy zawsze nosić odpowiednio mocne obuwie i długie spodnie. Nie wolno używać kosiarki, nie mając na stopach obuwia lub nosząc otwarte sandały.
- Należy dokładnie sprawdzić obszar, na którym ma być użytkowana kosiarka i usunąć wszystkie przedmioty, które mogą zostać wyrzucone przez urządzenie.
- OSTRZEŻENIE - Benzyna jest bardzo łatwopalna.
  - należy ją przechowywać w pojemnikach przeznaczonych do tego celu;
  - paliwo można uzupełniać tylko na wolnym powietrzu; nie wolno palić podczas uzupełniania paliwa;
  - paliwo należy dodać przed uruchomieniem silnika. Nie wolno zdejmować korka wlewu paliwa lub uzupełniać paliwa, gdy silnik pracuje lub gdy jest rozgrzany;
  - w przypadku, gdy benzyna zostanie rozlana, nie wolno uruchamiać silnika, ale przesunąć kosiarkę z dala od obszaru pokrytego paliwem oraz zapobiegać powstaniu zapłonu aż do chwili, gdy opary benzyny ulotnią się;
  - należy sprawdzić, czy wszystkie korki wlewu paliwa i innych zbiorników są bezpiecznie założone.
- Wymienić wadliwe tłumiki.
- Przed rozpoczęciem użytkowania należy obejrzeć kosiarkę, aby upewnić się, że nóż, śruby mocujące noża oraz układ tnący nie są zużyte lub uszkodzone. W przypadku zużycia lub uszkodzenia noża lub śrub mocujących należy wymienić cały zestaw, aby układ tnący był odpowiednio wyważony.

## Użytkowanie

- Nie wolno użytkować silnika w zamkniętym pomieszczeniu, gdzie mogą gromadzić się niebezpieczne wyziewy tlenku węgla.
- Należy kosić tylko przy świetle dziennym lub odpowiednio silnym sztucznym oświetleniu.
- W miarę możliwości należy unikać koszenia mokrej trawy.
- Podczas pracy na pochyłościach należy pamiętać, aby pewnie stać na podłożu.
- Podczas koszenia należy chodzić, a nie biegać.
- W przypadku kosiarek kołowych należy kosić zawsze w poprzek pochyłości, nigdy pod górę lub w dół.
- Należy zachować szczególną ostrożność przy zmianie kierunku na pochyłościach.
- Nie wolno kosić pochyłości o bardzo dużym kącie nachylenia.
- Należy zachować najwyższą ostrożność przy cofaniu lub przyciąganiu kosiarki do siebie.
- Należy wyłączyć kosiarkę, jeśli trzeba ją przechylić, aby przebyć powierzchnię inną niż trawa oraz na czas przejazdu do i z obszaru, na którym będzie użytkowana.
- Nie wolno użytkować kosiarki z uszkodzonymi osłonami lub ze zdjętymi zabezpieczeniami, takimi jak wyrzutnik lub zbiornik na trawę.
- Nie wolno zmieniać ustawień regulatora silnika lub doprowadzać silnika do nadmiernych obrotów.
- Przed uruchomieniem silnika należy odłączyć wszystkie sprężła noży i napędu.

- Silnik należy uruchamiać zgodnie z instrukcją, stojąc z dala od noży.
- Nie wolno przechylać kosiarki podczas uruchamiania silnika.
- Nie wolno uruchamiać silnika, stojąc przed wyrzutnikiem.
- Nie wolno zbliżać dłoni ani stóp do wirujących części. Nigdy nie należy stawać przed otworem wyrzutnika.
- Nie wolno podnosić ani przenosić kosiarki, gdy silnik pracuje.
- W następujących przypadkach należy zatrzymać silnik i odłączyć przewód świecy zapłonowej, upewniając się, że wszystkie części ruchome przestały się poruszać; gdy kosiarka jest wyposażona w kluczyk zapłonu, należy go wyjąć:
  - przed usuwaniem trawy blokującej nóż lub odblokowaniem wyrzutnika;
  - przed sprawdzaniem, czyszczeniem lub pracą przy kosiarce;
  - po uderzeniu w przeszkodę. Należy sprawdzić, czy kosiarka nie jest uszkodzona i dokonać ewentualnej naprawy przed ponownym uruchomieniem i użytkowaniem kosiarki;
  - jeśli kosiarka zaczyna wibrować w nietypowy sposób (należy natychmiast sprawdzić przyczynę).
- W następujących przypadkach należy zatrzymać silnik i odłączyć przewód świecy zapłonowej, upewniając się, że wszystkie części ruchome przestały się poruszać; gdy kosiarka jest wyposażona w kluczyk zapłonu, należy go wyjąć:
  - zawsze, gdy kosiarka jest pozostawiana bez nadzoru;
  - przed uzupełnieniem paliwa.
- Należy zmniejszyć otwarcie przepustnicy podczas wyłączania silnika; jeśli silnik jest wyposażony w zawór odcinający, należy odciąć dopływ paliwa po zakończeniu pracy.
- Kosiarkę można wykorzystywać tylko zgodnie z przeznaczeniem – do koszenia i zbierania trawy. Każdy inny sposób wykorzystania może stanowić zagrożenie lub spowodować uszkodzenie urządzenia.

## Konserwacja i przechowywanie

- Należy sprawdzić, czy wszystkie nakrętki, wkręty i śruby są dokręcone, co pozwoli utrzymać kosiarkę w odpowiednim stanie technicznym.
- Nie wolno przechowywać urządzenia z paliwem w zbiorniku w pomieszczeniu, gdzie opary paliwa mogą dotrzeć do iskry lub otwartego płomienia.
- Przed umieszczeniem w pomieszczeniu magazynowym należy poczekać, aż silnik ostygnie.
- Aby zmniejszyć zagrożenie pożarowe, należy zwracać uwagę, aby silnik, tłumik, przedział akumulatora oraz obszar przechowywania paliwa nie były pokryte trawą, liśćmi lub nadmiarem smaru.
- Należy często sprawdzać, czy worek na trawę nie jest zużyty lub uszkodzony.
- Ze względów bezpieczeństwa należy wymienić zużyte lub uszkodzone części.
- Jeśli trzeba opróżnić zbiornik paliwa, należy to robić na wolnym powietrzu.

### 3. OPIS CZĘŚCI (Rys. 1 i 2)

Zestaw obejmuje:

A: Klucz do świec zapłonowych

B: Klin rozdrabniający



**OSTRZEŻENIE:** Nie dotykać obracającego się noża.



**OSTRZEŻENIE:** Paliwo należy uzupełniać w przewiewnym miejscu; silnik musi być wyłączony.

### 4. DANE TECHNICZNE

| Model                                       | PLM4621                    | PLM4622                     |
|---|----------------------------|-----------------------------|
| Typ silnika                                 | Seria B&S 650E, ReadyStart | Seria B&S 675EX, ReadyStart |
| Własny napęd                                | Tak                        | Tak                         |
| Pojemność silnika                           | 190 cc                     | 190 cc                      |
| Szerokość noża                              | 460 mm                     | 460 mm                      |
| Obroty jałowe                               | 2 800 obr./min             | 2 800 obr./min              |
| Pojemność zbiornika paliwa                  | 1,0 l                      | 1,0 l                       |
| Pojemność zbiornika oleju                   | 0,6 l                      | 0,6 l                       |
| Pojemność worka na trawę                    | 60 l                       | 60 l                        |
| Masa netto                                  | 33,8 kg                    | 35,4 kg                     |
| Regulacja wysokości                         | 20-75 mm, 5 stopniowa      | 20-75 mm, 5 stopniowa       |
| Poziom hałasu zgodnie z EN836               |                            |                             |
| Poziom ciśnienia akustycznego ( $L_{pA}$ ): | 81,5 dB (A)                | 83,1 dB (A)                 |
| Poziom mocy akustycznej ( $L_{WA}$ ):       | 93,1 dB (A)                | 92,3 dB (A)                 |
| Niepewność (K):                             | 2,41 dB (A)                | 2,75 dB (A)                 |
| Drgania według normy EN836                  |                            |                             |
| Emisja drgań ( $a_h$ ):                     | 6,4 m/s <sup>2</sup>       | 7,5 m/s <sup>2</sup>        |
| Niepewność (K):                             | 1,5 m/s <sup>2</sup>       | 1,5 m/s <sup>2</sup>        |

### 5. MONTAŻ

#### 5-1 MONTAŻ SKŁADANEGO UCHWYTU

- Przymocować dolne części uchwytu do korpusu przy użyciu śrub ustalających, jak to pokazano poniżej. (**Rys. 3, Rys. 4, Rys. 5, Rys. 6**)
- Zwolnić górną część uchwytu, aby go rozłożyć. Połączyć górną i dolną część uchwytu przy użyciu śruby ustalającej. (**Rys. 7, Rys. 8**)
- Umieścić wszystkie przewody na rurze uchwytu. Przytwierdzić je na środkowej dolnej części uchwytu przy użyciu zacisku, aby przewody były zamocowane na zewnątrz urządzenia. W przeciwnym wypadku przewody mogą zostać pochwycone podczas otwierania/zamykania tylnej pokrywy lub zagięte podczas składania górnej części uchwytu. (**Rys. 9**)

#### 5-2 MONTAŻ ZBIORNIKA NA TRAWĘ

- Aby zamocować: Unieść tylną pokrywę i zaczepić zbiornik na trawę na tylnej części korpusu. (**Rys. 10, Rys. 11**)
- Aby zdjąć: Chwycić i unieść tylną pokrywę, a następnie zdjąć zbiornik.

#### 5-3 UCHWYT ROZRUSZNIKA

Przesunąć uchwyt rozrusznika od silnika do prowadnicy linki. (**Rys. 12, Rys. 13**)

#### 5-4 WYSOKOŚĆ CIĘCIA

Nacisnąć od zewnątrz, aby wyczepić dźwignię z zaczepów. Przesunąć dźwignię w przód lub w tył, aby zmienić wysokość. (**Rys. 14 oraz patrz punkt 8-9**)

### 6. USTAWIANIE ODPOWIEDNIEJ WYSOKOŚCI

- Odkręcić śrubę ustalającą, która mocuje dolną część uchwytu, patrz **Rys. 15**.
- Patrz także **Rys. 16**, przesunąć dolną część uchwytu w górę lub w dół, ustawiając odpowiednią wysokość. W tym modelu kosiarki dostępne są 3 wysokości; przy 1. wysokości, dolna część uchwytu jest najwyższej, a przy 3. najniższej.
- Po ustawieniu odpowiedniej wysokości należy przymocować dolną część uchwytu za pomocą śrub ustalających.



**OSTRZEŻENIE:** Lewą i prawą stronę dolnej części uchwytu należy ustawić na tej samej wysokości.

## 7. KOSIARKA ROZDRABNIAJĄCA

Co to jest rozdrabnianie?

Podczas rozdrabniania trawa jest ścinana, a następnie drobno szatkowana i rozsypywana na pasie trawy jako nawóz.

Wskazówki dotyczące koszenia z rozdrabnianiem:

- Regularne przycinanie maks. o 2 cm trawy, z 6 cm do 4 cm.
- Stosować ostre noże tnące.
- Nie kosić wilgotnej trawy.
- Ustawić maksymalną prędkość silnika.
- Przesuwać kosiarkę z prędkością roboczą.
- Regularnie czyścić klin rozdrabniający, wewnętrzną stronę obudowy oraz ostre noża.



**OSTRZEŻENIE:** Tylko, gdy silnik jest wyłączony, a noże zatrzymane.

1. Unieść tylną pokrywę i zaczepić zbiornik na trawę na tylnej części korpusu;
2. Wcisnąć klin rozdrabniający w korpus. Zablokować klin rozdrabniający przy użyciu przycisku w wycięciu w korpusie. (**Rys. 17, Rys. 18**)
3. Ponownie opuścić tylną pokrywę.

## 8. INSTRUKCJE UŻYTKOWANIA

### 8-1 PRZED URUCHOMIENIEM

Należy uzupełniać poziom benzyny i oleju w silniku zgodnie z oddzielną instrukcją obsługi silnika dołączonej do kosiarki. Należy uważnie przeczytać tę instrukcję.



**OSTRZEŻENIE:** Benzyna jest bardzo łatwopalna.

Należy ją przechowywać w pojemnikach przeznaczonych do tego celu.

Paliwo można uzupełniać tylko na wolnym powietrzu, przed uruchomieniem silnika; nie wolno palić podczas uzupełniania lub przelewania paliwa.

Nie wolno zdejmować korka wlewu paliwa lub uzupełniać paliwa, gdy silnik pracuje lub gdy jest rozgrzany.

W przypadku, gdy benzyna zostanie rozlana, nie wolno uruchamiać silnika, ale przesunąć kosiarkę z dala od obszaru pokrytego paliwem oraz zapobiegać wystąpieniu zapłonu aż do chwili, gdy opary benzyny uolotnią się.

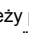
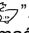
Należy sprawdzić, czy wszystkie korki wlewu paliwa i innych zbiorników są bezpiecznie założone.

Przed przechyleniem lub obróceniem kosiarki w celu konserwacji noża lub usunięcia oleju należy opróżnić zbiornik paliwa.



**OSTRZEŻENIE:** Nie wolno napędzać zbiornika paliwa w zamkniętych pomieszczeniach, przy pracującym silniku; po pracy należy odczekać, aż silnik ochłodzi się przez co najmniej 15 minut po wyłączeniu.

### 8-2 ABY URUCHOMIĆ SILNIK I ZAŁĄCZYĆ NÓZ

1. Kosiarka jest wyposażona w gumową fajkę na końcówce świecy zapłonowej; należy się upewnić, że metalowa pętla na końcu przewodu świecy zapłonowej (wewnątrz fajki) jest prawidłowo przymocowana na metalowym styku świecy zapłonowej.
2. Przy rozruchu zimnego silnika należy przestawić dźwignię prędkości w położenie „”. Przy rozruchu rozgrzanego silnika i podczas pracy należy przestawić dźwignię prędkości w położenie „”. (**Rys. 19**)
3. Stojąc za kosiarką należy przytrzymać uchwyt wyłącznika opierając go o górną część uchwytu, jak pokazano na **Rys. 20**.
4. Chwycić uchwyt rozrusznika jak pokazano na **Rys. 20** i szybko pociągnąć w górę. Po uruchomieniu silnika powoli cofnąć uchwyt rozrusznika do prowadnicy linki. Zwolnić uchwyt wyłącznika, aby zatrzymać silnik i nóż.



Silnik należy uruchamiać zgodnie z instrukcją, stojąc z dala od noża.



Nie wolno przechylać kosiarki podczas uruchamiania silnika. Uruchomić kosiarkę na równym podłożu, pozbawionym wysokiej trawy lub przeszkód.



Nie wolno zbliżać rąk i stóp do obracających się części. Nie wolno uruchamiać silnika, stojąc przed wyrzutnikiem.

### 8-3 UŻYTKOWANIE

Podczas pracy należy mocno trzymać uchwyt wyłącznika obiema rękami.



**Uwaga:** Gdy podczas pracy uchwyt wyłącznika zostanie zwolniony, silnik zatrzyma się, więc kosiarka przestanie działać.

### 8-4 ABY ZATRZYMAĆ SILNIK



**UWAGA:** Nóż obraca się przez kilka sekund po wyłączeniu silnika.

1. Zwolnić uchwyt wyłącznika, aby zatrzymać silnik i nóż.
2. Należy odłączyć i uziemić przewód świecy zapłonowej, jak to opisano w oddzielnej instrukcji obsługi silnika, aby zapobiec przypadkowemu rozruchowi, gdy kosiarka jest pozostawiona bez nadzoru.

### 8-5 ZŁĄCZE NAPĘDU

#### Model PLM4621

Chwycić uchwyt wyłącznika napędu - kosiarka automatycznie ruszy do przodu z prędkością około 1 m/s. Zwolnić uchwyt wyłącznika napędu - kosiarka zatrzyma się.

#### Model PLM4622

Kosiarka jest wyposażona w układ regulacji prędkości, który umożliwia 3-stopniową regulację prędkości w zakresie od 3,0 km/h do 4,5 km/h.

Obsługa:

1. Zwolnić uchwyt wyłącznika napędu, aby zatrzymać kosiarkę.
2. Ustawić żądaną prędkość.
3. Chwycić uchwyt wyłącznika napędu, aby kontynuować koszenie. **(Rys. 21)**



**UWAGA:** Kosiarka jest przeznaczona do koszenia zwykłej trawy ogrodowej o maksymalnej wysokości 250 mm.

Nie należy używać jej do koszenia niezwykle wysokiej suchej lub mokrej trawy (np. pastwiska) czy stert suchych liści. Resztki mogą gromadzić się na korpusie kosiarki lub dotknąć wydechu silnika, stwarzając potencjalne zagrożenie pożarowe.

## 8-6 WSKAZÓWKI DOTYCZĄCE EFEKTYWNEGO ROZDRABNIANIA

Usunąć wszelkie odpadki z trawnika. Sprawdzić, czy na trawniku nie ma kamieni, gałęzi, drutów lub innych przedmiotów, które mogłyby zostać wyrzucone przez kosiarkę w dowolną stronę i spowodować poważne obrażenia u użytkownika lub innych osób, jak również straty materialne i zniszczenia w otoczeniu. Nie kosić wilgotnej trawy. Aby rozdrabnianie było skuteczne, nie można kosić wilgotnej trawy, gdyż przywiera ona do spodniej części korpusu kosiarki, co uniemożliwia prawidłowe rozdrabnianie. Nie ścinać więcej niż 1/3 długości źdźbła.

W przypadku rozdrabniania zaleca się cięcie 1/3 długości źdźbeł trawy. Należy kontrolować prędkość jazdy kosiarki, aby rozdrobniona trawa była równomiernie rozrzucona na trawniku. W przypadku cięcia wyjątkowo gęstej trawy może być konieczne utrzymywanie najniższej prędkości, aby uzyskać prawidłowe cięcie i rozdrabnianie. Przy koszeniu z rozdrabnianiem wysokiej trawy może być konieczne dwukrotne koszenie trawnika; przy drugim koszeniu należy zmniejszyć wysokość cięcia o kolejną 1/3 długości źdźbeł i ew. zmienić trasę koszenia.

Zachodzenie na poprzedni pas przy każdym przejściu pozwala usunąć źdźbła pozostałe po poprzednim przejściu. Przy koszeniu należy całkowicie otworzyć przepustnicę, aby uzyskać najlepsze cięcie i aby rozdrabnianie było jak najbardziej efektywne. Oczyszczyć spód korpusu kosiarki.

Należy pamiętać, aby zczyścić spodnią część korpusu kosiarki po każdym użyciu i zapobiec gromadzeniu się trawy, co uniemożliwia prawidłowe rozdrabnianie. Rozdrabnianie liści. Pozytywny wpływ na trawnik może mieć również rozdrabnianie liści. Przy rozdrabnianiu liści należy sprawdzić, czy są one suche i czy nie zalegają zbyt grubą warstwą na trawniku. Nie należy czekać, aż wszystkie liście spadną z drzew, aby je rozdrobnić.



**OSTRZEŻENIE:** W przypadku uderzenia w przeszkodę należy zatrzymać silnik. Odłączyć przewód od świecy zapłonowej, dokładnie sprawdzić, czy kosiarka nie jest uszkodzona i naprawić uszkodzenia przez ponownym uruchomieniem i użytkowaniem kosiarki. Nadmierne drgania kosiarki podczas pracy są objawem uszkodzenia. Kosiarkę należy natychmiast sprawdzić i naprawić.

## 8-7 POJEMNIK NA TRAWĘ

Opróżnić i oczyścić worek, upewnić się, że jest czysty oraz że jego otwory nie są pozapychane. **(Rys. 22)**

## 8-8 KORPUS

Spodnia część korpusu kosiarki powinna być czyszczona po każdym użyciu, aby zapobiec gromadzeniu się ściętej trawy, liści, ziemi lub innych zabrudzeń. W przypadku nagromadzenia zanieczyszczeń zwiększa się ryzyko korozji oraz zmniejsza się efektywność rozdrabniania. Korpus można oczyścić po odwróceniu kosiarki i wyszorowaniu odpowiednim narzędziem (należy sprawdzić, czy przewód świecy zapłonowej jest odłączony).

## 8-9 REGULACJA WYSOKOŚCI



**UWAGA:** W żadnym razie nie wolno dokonywać regulacji kosiarki bez zatrzymania silnika i odłączenia przewodu świecy zapłonowej.



**UWAGA:** Przed zmianą wysokości koszenia należy zatrzymać kosiarkę i odłączyć przewód świecy zapłonowej.

Kosiarka jest wyposażona w centralną dźwignię regulacji wysokości, którą można ustawić w pięciu położeniach.

1. Przed zmianą wysokości koszenia należy zatrzymać kosiarkę i odłączyć przewód świecy zapłonowej.
2. Centralna dźwignia regulacji pozwala na ustawienie jednej z pięciu wysokości.
3. Aby zmienić wysokość cięcia, należy nacisnąć dźwignię regulacji w kierunku do koła i przesunąć ją w górę lub w dół, aby uzyskać odpowiednią wysokość **(Rys. 23)**. Wszystkie koła będą ustawione na tę samą wysokość.

## 9. KONSERWACJA

### ŚWIECA ZAPŁONOWA

Należy stosować tylko oryginalne świece zapłonowe. Zaleca się wymieniać świecę zapłonową co 100 godzin pracy. (patrz INSTRUKCJA OBSŁUGI SILNIKA)

## 10. SMAROWANIE



**UWAGA: ODŁĄCZYĆ ŚWIECĘ ZAPŁONOWĄ PRZED ROZPOCZĘCIEM CZYNNOŚCI KONSERWACYJNYCH.**

1. KOŁA - Przesmarować łożyska kulkowe w każdym kole co najmniej raz w sezonie używając lekkiego oleju.
2. SILNIK - Wskazówki dotyczące smarowania podane są w instrukcji silnika.
3. UKŁAD USTAWIENIA NOŻA - Przesmarować przeguby na uchwycie ustawienia noża i przewodzie hamulcowym co najmniej raz w sezonie używając lekkiego oleju. Układ sterowania noża musi przesuwać się swobodnie w obu kierunkach.

## 11. CZYSZCZENIE



**UWAGA:** Nie myć silnika przy użyciu węża. Woda może uszkodzić silnik lub zanieczyścić układ paliwowy.

1. Przetrzeć korpus suchą szmatką.
2. Wymyć spodnią część korpusu przechylając kosiarkę tak, aby świeca zapłonowa była skierowana w górę.

### 11-1 FILTR POWIETRZA



**UWAGA:** Nie wolno dopuścić, aby brud lub pył zapchały piankowy wkład filtra powietrza. Wkład filtra powietrza musi być konserwowany (czyszczony) po 25 godzinach normalnej eksploatacji. Wkład piankowy musi być regularnie konserwowany, jeśli kosiarka jest użytkowana w suchym i pylistym otoczeniu. (patrz INSTRUKCJA OBSŁUGI SILNIKA)

### Aby OCZYŚCIĆ FILTR POWIETRZA

1. Odkręcić śrubę.
2. Zdjąć pokrywę.
3. Umyć wkład filtra w wodzie z mydłem. **NIE UŻYWAĆ BENZYN!**
4. Osuszyć wkład filtra powietrzem.
5. Umieścić kilka kropel oleju SAE30 na wkładzie piankowym i mocno ścisnąć, aby usunąć nadmiar oleju.
6. Ponownie zamontować filtr.



**UWAGA:** Wymienić filtr, jeśli jest on rozdarty, poszarpany, uszkodzony lub jeśli nie da się go wyczyścić. (Rys. 24)

### 11-2 NÓŻ TNĄCY



**UWAGA:** Należy pamiętać, aby odłączyć i uziemić przewód świecy zapłonowej przed rozpoczęciem konserwacji noża, co pozwoli zapobiec przypadkowemu uruchomieniu silnika. Należy chronić dłonie wykorzystując wytrzymałe rękawice lub szmatkę do pochwylenia noża tnącego. Przechylić kosiarkę, jak to opisano w oddzielnej instrukcji silnika. Odkręcić śrubę z łbem sześciokątnym oraz podkładkę, która utrzymuje ostrze i uchwyt ostrza na wał korbowym silnika. Zdjąć nóż i uchwyt z wału korbowego.



**OSTRZEŻENIE:** Okresowo sprawdzać, czy na uchwycie noża nie widać pęknięć, zwłaszcza po napotkaniu przeszkody. Wymienić w razie potrzeby. Aby koszenie było efektywne, nóż musi być ostry. Nóż można ponownie naostrzyć demontując go i szlifując lub uzupełniając ubytki, starając się zachować kształt oryginalnego noża. Bardzo ważna kwestia to równomierne szlifowanie każdej krawędzi tnącej, dzięki czemu nóż jest dobrze wyważony. Brak wyważenia może spowodować nadmierne drgania, co z kolei powoduje uszkodzenie silnika i kosiarki. Należy pamiętać, aby

starannie wyważyć nóż po ostrzeniu. Wyważenie noża można sprawdzić kładąc go na wkrętaku o zaokrąglonym przecię. Należy szlifować cięższy koniec noża, aż do uzyskania zadowalającego wyważenia. (Rys. 25) Przed ponownym zamocowaniem noża i uchwytu noża należy przesmarować wał korbowy i wewnętrzną powierzchnię uchwytu noża. Założyć uchwyt noża na wał korbowy tak, aby część z „gwiazdką” była oddalona od silnika. Patrz Rys. 25. Umieścić nóż tak, aby numer części był skierowany w stronę przeciwną do uchwytu. Ustawić podkładkę na nożu i wkręcić śrubę z łbem sześciokątnym. Dokręcić śrubę z momentem dokręcenia podanym poniżej.

### 11-3 MOMENT DOKRĘCENIA MOCOWANIA NÓŻA

Śruba środkowa musi być dokręcona z momentem 35-45 Nm. Aby zapewnić bezpieczne użytkowanie kosiarki. Należy okresowo sprawdzać moment dokręcenia WSZYSTKICH śrub i wkrętów. Po długiej eksploatacji, zwłaszcza w otoczeniu o dużym zapyleniu, nóż będzie się częściej zużywał i utraci pierwotny kształt. Spowoduje to pogorszenie funkcji koszenia. Nóż należy otwierać. W razie potrzeby wymienić na nowy, fabryczny nóż. Za ewentualne straty spowodowane złym wyważeniem noża producent nie odpowiada. Przy wymianie elementów noża należy stosować części zgodnie z oznaczeniami na poprzednim nożu (MAKITA 263001451) (aby zamówić nóż należy skontaktować się z lokalnym przedstawicielem lub zadzwonić do naszej firmy).



**OSTRZEŻENIE:** Nie dotykać obracającego się noża.

### 11-4 SILNIK

Konserwacja silnika opisana jest w oddzielnej instrukcji obsługi silnika. Wymiana oleju w silniku jest opisana w oddzielnej instrukcji dołączonej do kosiarki. Należy uważnie przeczytać wszystkie instrukcje. Konserwacja filtra powietrza jest opisana w oddzielnej instrukcji obsługi silnika. W przypadku bardzo dużego zapylenia należy czyścić kosiarkę co kilka godzin. Słaba moc silnika oraz zalewanie to objawy wskazujące na konieczność konserwacji filtra powietrza. Konserwacja filtra powietrza jest opisana w oddzielnej instrukcji obsługi silnika dołączonej do kosiarki. Należy raz na sezon oczyścić świecę i ustawić wielkość szczeliny. Zaleca się wymianę świecy zapłonowej na początku każdego sezonu koszenia; należy sprawdzić w instrukcji obsługi silnika, jaki jest właściwy typ świecy oraz wielkość szczeliny. Należy regularnie czyścić silnik przy użyciu szmatki lub szczotki. Należy utrzymywać układ chłodzenia (obszar wokół dmuchawy) w czystości, aby zapewnić właściwy obieg powietrza, który jest niezbędny do prawidłowego działania silnika. Należy sprawdzić, czy trawa, ziemia i łatwopalne zanieczyszczenia zostały usunięte z obszaru wokół tłumika.

## 12. PRZECHOWYWANIE (POZA SEZONEM)

Aby przygotować kosiarkę do przechowywania, należy wykonać następujące czynności:

1. Po ostatnim koszeniu w danym sezonie należy poczekać, aż zbiornik paliwa opróżni się całkowicie.
2. Należy dokładnie oczyścić i przesmarować części kosiarki, jak to opisano w punkcie dotyczącym smarowania.
3. Instrukcje dotyczące przechowywania silnika podane są w instrukcji silnika.
4. Delikatnie pokryć ostrze noża smarem do podwozi, aby zapobiec korozji.
5. Kosiarkę należy przechowywać w suchym, czystym pomieszczeniu.



### **UWAGA:**

- W razie przechowywania narzędzi w pomieszczeniu bez wentylacji lub w magazynie produktowym;
- Należy podjąć kroki, aby zapobiec korozji urządzeń. Należy pokryć części urządzeń, zwłaszcza przewody i wszystkie części ruchome, warstwą lekkiego oleju lub silikonu.
- Nie wolno zaginać lub załamywać przewodów.
- Jeśli linka rozrusznika odłączy się od prowadnicy linki na uchwycie, należy odłączyć i uziemić przewód świecy zapłonowej, nacisnąć uchwyt ustawienia noża i powoli wyciągnąć linkę rozrusznika z silnika. Przełożyć linkę rozrusznika przez prowadnicę linki na uchwycie.



## 13. ROZWIĄZYWANIE PROBLEMÓW

| PROBLEM  | PRAWDOPODOBNA PRZYCZYNA   | ROZWIĄZANIE   |
|--|---|---|
| Silnik nie uruchamia się.                          | Dźwignia przepustnicy w położeniu niewłaściwym dla danych warunków. | Przesunąć dźwignię przepustnicy we właściwe położenie.  |
|  | Zbiornik paliwa jest pusty.   | Napełnić zbiornik paliwem: patrz INSTRUKCJA OBSŁUGI SILNIKA.  |
|  | Wkład filtra powietrza jest zabrudzony.                             | Oczyścić wkład filtra powietrza: patrz INSTRUKCJA OBSŁUGI SILNIKA.  |
|  | Obluzowana świeca zapłonowa.  | Dokręcić świecę momentem 25-30 Nm.  |
|  | Przewód świecy zapłonowej poluzowany lub odłączony od świecy.       | Założyć przewód świecy zapłonowej na świecę.  |
|  | Szczelina świecy jest nieprawidłowa.                                | Ustawić szczelinę pomiędzy elektrodami na 0,7 do 0,8 mm.  |
|  | Świeca zapłonowa jest wadliwa.                                      | Zamontować nową świecę zapłonową z prawidłową szczeliną, patrz INSTRUKCJA OBSŁUGI SILNIKA.                                |
|  | Gaźnik jest zalany paliwem.   | Wyjąć wkład filtra powietrza i ciągnąć linkę rozrusznika, aż gaźnik się oczyści; wtedy zamontować wkład filtra powietrza. |
|  | Wadliwy moduł zapłonu.  | Należy skontaktować się z punktem serwisowym firmy Makita.  |
| Trudności z uruchomieniem silnika lub spadki mocy. | Zabrudzenia, woda lub zawiesina w paliwie.                          | Usunąć paliwo i wyczyścić zbiornik. Napełnić zbiornik czystym, świeżym paliwem.   |
|  | Otwór napowietrzający w korku wlewu paliwa jest zapchany.           | Oczyścić lub wymienić korek zbiornika paliwa.   |
|  | Wkład filtra powietrza jest zabrudzony.                             | Oczyścić wkład filtra powietrza.  |
| Silnik pracuje nierówno.                           | Świeca zapłonowa jest wadliwa.                                      | Zamontować nową świecę zapłonową z prawidłową szczeliną, patrz INSTRUKCJA OBSŁUGI SILNIKA.                                |
|  | Szczelina świecy jest nieprawidłowa.                                | Ustawić szczelinę pomiędzy elektrodami na 0,7 do 0,8 mm.  |
|  | Wkład filtra powietrza jest zabrudzony.                             | Oczyścić wkład filtra powietrza: patrz INSTRUKCJA OBSŁUGI SILNIKA.  |
| Nieprawidłowe obroty jałowe silnika.               | Wkład filtra powietrza jest zabrudzony.                             | Oczyścić wkład filtra powietrza: patrz INSTRUKCJA OBSŁUGI SILNIKA.  |
|  | Szczeliny w krycie silnika są zapchane.                             | Usunąć zabrudzenia ze szczelin.   |
|  | Żeberka i szczeliny pod obudową dmuchawy są zapchane.               | Usunąć zabrudzenia z żeberka i szczelin.  |
| Silnik dławi się na wysokich obrotach.             | Szczelina pomiędzy elektrodami świecy zapłonowej jest zbyt mała.    | Ustawić szczelinę pomiędzy elektrodami na 0,7 do 0,8 mm.  |
| Silnik przegrzewa się.                             | Ograniczony przepływ powietrza.                                     | Usunąć zanieczyszczenia ze szczelin, obudowy dmuchawy i otworów.  |
|  | Nieprawidłowa świeca zapłonowa.                                     | Zamontować świecę zapłonową RJ19LMC i żeberka chłodzące na silniku.   |
| Kosiarka drga w nieprawidłowy sposób.              | Obluzowany zespół tnący.  | Dokręcić nóż.   |
|  | Zespół tnący jest źle wyważony.                                     | Wyważyć nóż.  |

## 14. OCHRONA ŚRODOWISKA

Jeśli urządzenie wymaga wymiany po długim okresie użytkowania, nie wolno wyrzucać go wraz z odpadami komunalnymi, ale trzeba je zutylizować w sposób przyjazny dla środowiska.

**Dotyczy tylko krajów europejskich**  
**Deklaracja zgodności WE**  
**Niniejszym firma Makita Corporation, jako odpowiedzialny producent oświadcza, że opisywane urządzenie marki Makita:**

Oznaczenie maszyny: Spalinowa kosiarka do trawy  
 Nr modelu/ Typ: PLM4621, PLM4622  
 Dane techniczne: Patrz „4. Dane techniczne”  
 są produkowane seryjnie oraz

**Spełniają następujące dyrektywy europejskie:**

2006/42/WE, 2004/108/WE,  
2000/14/WE i 2005/88/WE

Są produkowane zgodnie z następującymi normami lub dokumentami normalizacyjnymi:

EN836, EN ISO14982

Dokumentacja techniczna przechowywana jest przez naszego autoryzowanego przedstawiciela na Europę, którym jest:

Makita International Europe Ltd.,  
Michigan, Drive, Tongwell,  
Milton Keynes, MK15 8JD, Wielka Brytania

Procedura oceny zgodności wymagana przez Dyrektywę 2000/14/WE została przeprowadzona zgodnie z Załącznikiem VI.

Jednostka notyfikowana:

TÜV SÜD Industrie Service GmbH  
Westendstraße 199, D-80686 München  
Numer identyfikacyjny: 0036

Model PLM4621

Mierzony poziom mocy akustycznej: 93,1 dB  
Gwarantowany poziom mocy akustycznej: 96 dB

Model PLM4622

Mierzony poziom mocy akustycznej: 92,3 dB  
Gwarantowany poziom mocy akustycznej: 96 dB

11. 11. 2011



Tomoyasu Kato  
Dyrektor  
Makita Corporation  
3-11-8, Sumiyoshi-cho,  
Anjo, Aichi, JAPAN

**Általános nézet és a részek magyarázata**

- |                             |                          |                           |
|-----------------------------|--------------------------|---------------------------|
| 1. Tolókar felső része      | 6. Kötélvezető           | 11. Tanksapka             |
| 2. Leállító kar             | 7. Fűzsák                | 12. Olajnyílás fedél      |
| 3. Kerékajtás kapcsolókarja | 8. Magasság beállító kar | 13. Kábelrögzítő bilincs  |
| 4. Gázkar                   | 9. Géptest               | 14. Rögzítő gomb          |
| 5. Indítófogantyú           | 10. Gyújtógyertya        | 15. Sebesség beállító kar |



**FIGYELMEZTETÉS**

Saját biztonsága érdekében az új gép használatának megkezdése előtt olvassa el a kezelési utasítást. Ennek elmulasztása súlyos személyi sérülésekhez vezethet. Minden használat előtt szánjon néhány percet a géppel való ismerkedésre.

**1. A TERMÉKEN TALÁLHATÓ JELZÉSEK**



Olvassa el a használati utasítást.



A fűnyíró használatakor ne engedjen senkit annak közelébe.



Különösen ügyeljen a kezére és lábaira.



A kipufogógáz mérgező; Ne működtesse a gépet zárt helyen.



Az üzemanyag gyúlékony, ne használjon a közelében nyílt lángot. Járó motorú gépbe ne töltsön üzemanyagot.



Fűnyírás közben viseljen védőszemüveget és fül dugót egészsége védelmében.



Javítás esetén a gyújtógyertyát a kezelési utasításban ismertetett módon szerelje ki, és javítsa meg.



Figyelem! A motor felforrósodhat.



A motor leállításához engedje fel a kapcsolókart.



Húzza a kerékajtás kapcsolókarját a tolókar felső részéhez a gép elindulásához.

**2. ÁLTALÁNOS BIZTONSÁGI RENDSZABÁLYOK**



**FIGYELEM:** Benzinnel működő berendezések használata esetén az esetleges személyi sérülés és anyagi kár elkerülése érdekében mindig tartsa be az alapvető biztonsági rendszabályokat az alábbiakkal együtt.

A gép használatának megkezdése előtt olvassa el az összes rá vonatkozó utasítást, és tartsa meg a dokumentációt későbbi használatra.



**FIGYELEM:** A gép elektromágneses mezőt kelt működés közben. Ez az elektromágneses mező bizonyos körülmények között zavarhatja az emberi szervezetbe beültetett aktív vagy passzív implantátumokat. Az esetleges súlyos vagy halálos következmény elkerülése érdekében javasoljuk, hogy a beültetett implantátummal élő személy a gép használata előtt konzultáljon orvosával és az implantátum gyártójával.

**Képzés**

- Az utasításokat figyelmesen olvassa el. Sajátítsa el a gép helyes használatát és kezelőszervek működtetését.
- Soha ne engedje, hogy gyermekek vagy ezen utasításokat nem ismerő személyek használják a fűnyírót. Előfordulhat, hogy a helyi törvények rendelkeznek a kezelő életkorát illetően.
- Ne végezzen fűnyírást, ha emberek - különösen gyermekek - vagy háziállatok tartózkodnak a közelben.
- Ne feledje, hogy a kezelő, illetve felhasználó felelős a balesetekért vagy a más személyekkel vagy tulajdonnal szembeni veszélyhelyzetekért.

## Előkészületek

- Fűnyírás közben megfelelő lábbelit és hosszú nadrágot viseljen. Ne működtesse a gépet mezítláb vagy nyitott szandálban.
- Alaposan vizsgálja meg azt a területet, ahol a fűnyírót használni szeretné, és távolítsa el minden olyan tárgyat, melyet a gép felkaphat és kidobhat.
- VIGYÁZAT!- A benzin rendkívül gyúlékony.
  - benzint kizárólag erre a célra készített edényben tároljon;
  - tankolást ne végezzen zárt helyen, és tankolás közben ne dohányozzon;
  - még a motor beindítása előtt tankoljon; Ne vegye le a tanksapkát, és ne tankoljon járó motor mellett, és amíg a motor le nem hűlt;
  - ha mellément a benzin, ne indítsa be a gépet a tankolás helyén, hanem tolja arrébb, és kerülje a nyílt lángot és egyéb gyújtó jellegű tevékenységet a környéken, amíg a benzin el nem párolog;
  - zárja vissza biztonságosan a tanksapkát és a benzinkanna fedelét.
- A hibás hangtompítót cserélje le.
- Használat előtt mindig ellenőrizze szemrevételezéssel, hogy a pengék, a penge csavarjai és a vágóegység nem kopott vagy sérült-e. A kopott vagy sérült pengéket és csavarokat a kiegyensúlyozottság megtartása érdekében egyszerre, készletben cserélje.

## Kezelés

- Ne működtesse a gépet zárt térben, ahol mérgező szénmonoxid gyűlhet fel.
- Fűnyírást csak napközben vagy kellően erős mesterséges megvilágítás mellett végezzen.
- Kerülje a gép nedves fűben való használatát, amennyiben ez lehetséges.
- Lejtőn való fűnyírásakor mindig bizonyosodjon meg lába kellő megtámasztásáról.
- Sétálva haladjon, soha ne fusson.
- A kerékkel ellátott, forgó mozgást végző gépeknél a lejtőn keresztsbe haladjon, ne a lejtés irányában.
- Különösen óvatosan járjon el a lejtőn való irányváltáskor.
- Ne végezzen fűnyírást túl meredek lejtőkön.
- Különösen óvatosan járjon el tolatáskor, illetve amikor a fűnyírót maga felé húzza.
- Várja meg a pengék megállását, ha a fűnyírót egy nem fűves területen való áthaladás érdekében meg kell dönteni, illetve amikor a fűnyírót a levágandó területhez/ területről szállítja.
- Ne használja a fűnyírót hibás védőelemekkel, illetve biztonsági eszközök nélkül, például nem felszerelt terelelemekkel és/vagy fűgyűjtővel.
- Ne módosítsa a motor szabályzását, ne pörgesse túl a gépet.
- A motor beindítása oldja a pengemeghajtás és menetmeghajtás tengelykapcsolóját.
- Ügyelve lábai épségére indítsa be óvatosan a motort az utasítás szerint.
- A motor indítása közben ne billentse meg a fűnyírót.
- Ne indítsa el a motort, amikor a kidobónyílás előtt áll.
- Ne közelítse kezét és lábát forgó alkatrészekhez. A kidobónyílást mindig tartsa szabadon.
- Járó motorú fűnyírót ne emeljen fel, és ne szállítson.

- Állítsa le a motort, és vegye le a gyújtógyertyáról a kábelt, hogy az összes mozgó alkatrész teljesen leálljon. Ha kulccsal indítható, vegye ki a kulcsot:
  - mielőtt eltömődést szüntet meg vagy megtisztítja a kidobónyílást;
  - ellenőrzés, tisztítás vagy a fűnyírón való munkavégzés előtt;
  - idegen testbe való ütközés után. Vizsgálja meg, hogy a fűnyíró nem sérült-e meg, és szükség esetén végezze el a szükséges javításokat az ismételt elindítás és használat előtt;
  - ha a gépen rendellenes vibrációt tapasztal (keresse meg azonnal az okát).
- Állítsa le a motort, és vegye le a gyújtógyertyáról a kábelt, hogy az összes mozgó alkatrész teljesen leálljon. Ha kulccsal indítható, vegye ki a kulcsot:
  - minden esetben, ha felügyelet nélkül hagyja azt;
  - feltöltés előtt.
- A motor leállítás előtt vegye vissza a gázt. Ha a motoron van benzincsap, zárja el a fűnyírás befejeztével.
- A fűnyírót kizárólag a rendeltetési céljára, azaz fűnyírására és begyűjtésére szabad használni. Bármely egyéb alkalmazás veszélyt hozozhat magában, és a készülék sérülését okozhatja.

## Karbantartás és tárolás

- A gép biztonságos műszaki állapotának biztosítása érdekében az anyacsavarok és csavarok mindig legyenek meghúzva.
- Ne tárolja a gépet feltöltött benzintartállyal olyan épületen belül, ahol a benzinpára nyílt lánggal vagy szikrával találkozhat.
- Hagyja lehűlni a motort, mielőtt zárt helyre elteszi a gépet.
- A tűzveszély csökkentése érdekében tisztítsa meg a motort, hangtompítót, akkumulátorrekeszt és a benzintartályt minden ráakodott fűtől, levétől és felesleges zsírtól.
- Rendszeresen ellenőrizze a fűgyűjtőt, hogy nem kopott vagy sérült-e.
- A biztonság érdekében cserélje ki a kopott vagy sérült alkatrészeket.
- Az üzemanyagtartályt csak nyílt térben ürítse le.



**FIGYELEM:** Ne érjen a forgó pengéhez.



**FIGYELEM:** A tankolást jól szellőző helyen, leállított motornál végezze.

## 3. ALKATRÉSZEK LEÍRÁSA (1. és 2. ábra)

### Felsorolás:

- A: Gyertyakulcs
- B: Mulcsozó betét

## 4. MŰSZAKI ADATOK

| Típus                                     | PLM4621                      | PLM4622                       |
|---|------------------------------|-------------------------------|
| Motor típusa                              | B&S 650E sorozat, ReadyStart | B&S 675EX sorozat, ReadyStart |
| Önjáró                                    | Igen                         | Igen                          |
| Motor hengerűrtartalma                    | 190 cm <sup>3</sup>          | 190 cm <sup>3</sup>           |
| Vágási szélesség                          | 460 mm                       | 460 mm                        |
| Alapjárat fordulatszám                    | 2800 fordulat/perc           | 2800 fordulat/perc            |
| Üzemanyagtartály űrtartalma               | 1,0 l                        | 1,0 l                         |
| Olajtartály űrtartalma                    | 0,6 l                        | 0,6 l                         |
| Fűgújtó űrtartalma                        | 60 l                         | 60 l                          |
| Nettó tömeg                               | 33,8 kg                      | 35,4 kg                       |
| Magasságállítás                           | 20-75 mm, 5 beállítás        | 20-75 mm, 5 beállítás         |
| Zajszint az EN836 szabványnak megfelelően |                              |                               |
| Hangnyomásszint (L <sub>pA</sub> ):       | 81,5 dB (A)                  | 83,1 dB (A)                   |
| Hangteljesítményszint (L <sub>WA</sub> ): | 93,1 dB (A)                  | 92,3 dB (A)                   |
| Tűrés (K):                                | 2,41 dB (A)                  | 2,75 dB (A)                   |
| Vibráció az EN836 szabványnak megfelelően |                              |                               |
| Vibráció kibocsátás (a <sub>n</sub> ):    | 6,4 m/s <sup>2</sup>         | 7,5 m/s <sup>2</sup>          |
| Tűrés (K):                                | 1,5 m/s <sup>2</sup>         | 1,5 m/s <sup>2</sup>          |

## 5. ÖSSZESZERELÉS

### 5-1 AZ ÖSSZEHAJTHATÓ TOLÓKAR ÖSSZESZERELÉSE

- A) Rögzítse a tolókar alsó részeit az egységre a rögzítógombokkal az ábra szerint. (3. ábra, 4. ábra, 5. ábra, 6. ábra)
- B) A behajtáshoz lazítsa meg a tolókar felső részét. A tolókar felső és alsó részét a rögzítógombbal erősítse egymáshoz. (7. ábra, 8. ábra)
- C) Helyezze az összes bovdenet a tolókarra. Rögzítse a bovdeneket a tolókar alsó részére a bilinccsel úgy, hogy a bovdenek a gép külseje felé nézzenek. Máshogy elhelyezve a bovdenek a hátsó fedél nyitása és csukása, vagy a tolókar felső részének a behajtása esetén becsipődhetnek. (9. ábra)

### 5-2 A FÜGYŰJTŐ ÖSSZESZERELÉSE

1. Felhelyezés: Emelje fel a hátsó fedelet, majd akassza a fűgújtót a fűnyíró hátuljára. (10. ábra, 11. ábra)
2. Eltávolítás: Fogja meg és emelje fel a hátsó fedelet, majd vegye le a fűgújtót.

### 5-3 INDÍTÓFOGANTYÚ

A motorról helyezze át a fogantyút a kötélvezetőhöz. (12. ábra, 13. ábra)

### 5-4 A VÁGÁS MAGASSÁGA

Nyomja meg kifelé a kart a kerettől való elemeléshez. A magasság beállításához hajtsa előre vagy hátra a kart. (14. ábra, és lásd a 8-9. pontot)

## 6. A MEGFELELŐ MAGASSÁG BEÁLLÍTÁSA

- 1) Lazítsa ki a tolókar alsó részét rögzítő gombokat, lásd 15. ábra.
- 2) A 16. ábra szerint, azaz fel-le mozgatva állítsa be a tolókar megfelelő magasságát. 3 különböző magasság állítható be; 1-es fokozatban a legmagasabb a tolókar talajhoz viszonyított állása, 3. fokozatban pedig a legalacsonyabb.
- 3) Állítsa be a kívánt magasságot, majd rögzítse a tolókart a rögzítógombokkal.



**FIGYELEM:** A tolókar bal és jobb oldalát ugyanabba a magasságba kell beállítani.

## 7. MULCSOZÓ FŰNYÍRÓ

Mi a mulcsozás?

Mulcsozáskor a gép első lépésben levágja a fűvet, ami finomra aprítva ezután visszakerül a gyepre, mint természetes trágya.

Tippek a mulcsozó fűnyíráshoz:

- Rendszeres max. 2 cm-es nyírással alakítson ki 6 cm - 4 cm fűmagasságot.
- Használjon éles vágókést.
- Ne nyírjon nedves fűvet.
- A fűnyírást végezze a motor maximális fordulatszámán.
- Csak munkabességgel haladjon.
- Rendszeresen tisztítsa a mulcsozó betétet, a ház belső felét és a nyírópengét.



**FIGYELEM:** Kizárólag leállított motor és álló vágószerkezet mellett.

1. Emelje fel a hátsó fedelet, és távolítsa el a fűgyűjtőt;
2. Nyomja be a mulcsozó betétet a géptestbe. Rögzítse a mulcsozó betétet a gombbal a géptest nyílásában. (17. ábra, 18. ábra)
3. Engedje le a hátsó fedelet.

## 8. KEZELÉSI UTASÍTÁSOK

### 8-1 INDÍTÁS ELŐTT

Ellenőrizze a benzint és olajat, szükség esetén töltsse fel a motor fűnyíróhoz mellékelt különálló kezelési utasítása alapján. Az utasításokat figyelmesen olvassa el.



**FIGYELEM:** A benzin rendkívül gyúlékony. Benzint kizárólag erre a célra készített edényben tároljon. A tankolást szabad téren végezze, még a motor beindítása előtt. Ne dohányozzon, amíg üzemanyaggal foglalkozik.

Ne vegye le a tanksapkát, és ne tankoljon járó motor mellett, és amíg a motor le nem hűlt.

Ha mellélt a benzin, ne indítsa be a gépet a tankolás helyén, hanem tolja arrébb, és kerülje a nyílt lángot és egyéb gyújtó jellegű tevékenységet a környéken, amíg a benzin el nem párolog.



Zárja vissza biztonságosan a tanksapkát és a benzinkanna fedelét.

Mielőtt a penge karbantartására vagy olajcsere miatt felbontaná a fűnyírót, őrítse le a benzint a tartályból.



**FIGYELEM:** Ne tankoljon zárt helyen, járó motor mellett vagy amíg a motor forró. Használat után hagyja a motort legalább 15 percig hűlni.

### 8-2 A MOTOR BEINDÍTÁSA ÉS A PENGE ELINDÍTÁSA

1. A fűnyíró gyújtógyertyáján gumisapka található. Ellenőrizze, hogy a gyertyakábel végén (a gumisapkán belül) található fémhurok biztonságosan rögzül a gyújtógyertya fémhegyén.
2. Indításkor állítsa a gázkart „” pozícióba. Meleg motor beindítását és a fűnyírást végezze a gázkar „” állásában. (19. ábra)
3. A gép mögött állva ragadja meg a leállító kart, és húzza a tolókarhoz, lásd a 20. ábrát.
4. Ragadja meg az indítófogantyút a 20. ábra szerint, és húzza meg határozottan. Ha a motor beindult, lassan engedje vissza a kart a kötélvezetőhöz. A motor és a penge leállításához engedje el a leállító kart.



Ügyelve lábai épségére indítsa be óvatosan a motort az utasítás szerint.



A motor indítása közben ne billentse meg a fűnyírót. A fűnyírót vízszintes talajon indítsa be, ahol nincs magas fű és egyéb akadály.



Ne közelítsen kezével és lábával a forgó részekhez. Ne indítsa el a motort, amikor a kidobónyílás előtt áll.

### 8-3 HASZNÁLAT

Fűnyírás közben tartsa szorosan, két kézzel a leállító kart.



**Megjegyzés:** Ha fűnyíráskor elengedi a leállító kart, a motor leáll, így a fűnyíró működése is befejeződik.

### 8-4 A MOTOR LEÁLLÍTÁSA



**FIGYELEM:** A motor leállása után a penge még pár másodpercig tovább forog.

1. A motor és a penge leállításához engedje el a leállító kart.
2. Kösse le, és tesztelje a gyertyakábelt a motorhoz tartozó külön utasítás szerint, hogy megelőzhető legyen a felügyelet nélkül hagyott gép véletlen beindítása.

### 8-5 ÖNJÁRÓ FUNKCIÓ BEKAPCSOLÁSA

#### PLM4621 típushoz

A kerékajtás kapcsolókarját húzza a tolókar felső részéhez, tartsa ott, és a fűnyíró automatikusan megindul előre körülbelül 1 m/s sebességgel. Amikor elengedi a kapcsolókart, a fűnyíró megáll.

#### PLM4622 típushoz

A fűnyíró sebességbeállító rendszerrel van felszerelve, amely 3 sebességfokozatot beállítható a lehető 3,0 km/ó és 4,5 km/ó sebesség között.

Végezze el az alábbi lépéseket:

1. Engedje el a kerékajtás kapcsolókarját, hogy a fűnyíró megálljon.
2. Állítsa be a megfelelő sebességet.
3. Húzza a kerékajtás kapcsolókarját a tolókar felső részéhez a gép elindulásához. (21. ábra)



**FIGYELEM:** A fűnyírót normál, 250 mm-nél nem magasabb fű levágására tervezték.

Ne vágjon a géppel szokatlanul magas és száraz vagy nedves fűvet (pl.: rétet), illetve száraz levélhalmot.

Növényi törmelék rakódhat fel a fűnyíró tetején, vagy érintkezhet a gép kipufogójával, ami tűzveszélyt hordoz magában.

### 8-6 A LEGJOBB EREDMÉNY ELÉRÉSE MULCSOZÁS ESETÉN

Távolítsa el a hulladékokat a gyepről. A nyírandó gyepen ne legyen kő, fadarab, huzal és egyéb olyan objektum, amit a fűnyíró bármilyen irányba kidobhat, és ezzel személyi sérülést okozhat a kezelőnek és a közelben tartózkodó személyeknek, valamint amitől anyagi kár keletkezhet. Ne nyírjon nedves fűvet. A hatékony mulcsozáshoz ne nyírjon nedves fűvet, mert az a géptest aljára ragadhat, így azt nem lehet felaprítani. A fű hosszának maximum 1/3-át nyírja le. Mulcsozásnál a javasolt vágási hossz a fű hosszának 1/3-a. Válassza meg úgy a haladási sebességet, hogy az összeaprított fű egyenletesen terüljön el a gyepen.

Nagyra nőtt sűrű gyeppel nyírásakor különösen fontos a lassú haladás, hogy legyen ideje a gépnek a lenyírt fű megfelelő felaprítására. Hosszúra nőtt fű mulcsozó nyírásakor javasolt a két menetben történő nyírás, a második menetben a fű újabb 1/3-ának a lenyírásához, és talán az előző menethez képest más mintázatban bejárva a gyepeket.

A menetekben kis mértékű átfedés szintén segít az egyenletes és tiszta vágású gyeppel kialakításában. A fűnyírót a legjobb vágás és a hatékony mulcsozás érdekében üzemeltesse mindig teljes gázon. Tisztítsa meg a géptestet alját.

Minden fűnyírás után tisztítsa meg a gép alját, mert a lerakódott fű akadályozza a mulcsozó aprítást. Levelek mulcsozása. A levelek mulcsozása szintén jól tesz a gyepeknek. Csak száraz, nem túl vastag rétegben a gyeppen fekvő leveleket dolgozzon fel a fűnyíróval. Ne várja meg a mulcsozással, hogy a fáról lehulljon az összes levél.



**FIGYELEM:** Ha idegen tárgyba ütközött, állítsa le a fűnyírót. Vegye le a gyertyakábel, és alaposan vizsgálja át a gépet, nem sérült-e meg. Az újraindítás és a munka folytatása előtt javítsa ki az esetleges sérüléseket. A működés közben tapasztalható erős rezgés károsodásra utal. A gépet ilyen esetben azonnal át kell vizsgálni, és meg kell javítani.

## 8-7 FÜGYŰJTŐ

Űrítse ki és tisztítsa ki a fűgyűjtőt. Ellenőrizze a tisztaságát és a háló megfelelő szellőzését. (22. ábra)

## 8-8 GÉPTEST

Minden használat után tisztítsa le a géptestet aljáról a rárakódott fűvet, leveleket, szennyeződést és egyéb anyagokat. A felgyűlt, nem letakarított szennyeződés korróziót okozhat, emellett a mulcsozó aprítást is gátolja. A tisztításhoz billentse fel a fűnyírót, és kaparja le a szennyeződést egy megfelelő eszközzel (a gyertyakábel előtte feltétlenül vegye le).

## 8-9 NYÍRÁSI MAGASSÁG BEÁLLÍTÁS



**FIGYELEM:** A fűnyírón bármilyen beállítást csak leállított motor és eltávolított gyertyakábel mellett végezzen.



**FIGYELEM:** A nyírási magasság beállítása előtt állítsa le a gépet, és kösse le a gyertyakábel. A fűnyíró központi magasságállítással rendelkezik, amely 5 magassági helyzet beállítását teszi lehetővé.

1. A nyírási magasság beállítása előtt állítsa le a gépet, és kösse le a gyertyakábel.
2. A központi magasságállító kar 5 különböző helyzetbe állítható be.
3. A vágási magasság beállításához nyomja a kerék felé a kart, és állítsa feljebb vagy lejjebb a kiválasztott magasságba (23. ábra). Minden kerék azonos magasságba áll be.

## 9. KARBANTARTÁS

### GYŰJTŐGYERTYA

Csak eredeti pótalkatrész gyűjtőgyertyát használjon. A legjobb eredmény érdekében minden 100 óra használat után cserélje gyűjtőgyertyát. (lásd a MOTOR KEZELÉSI UTASÍTÁSÁT)

## 10. KENÉS



**FIGYELEM:** A KARBANTARTÁSI MUNKÁK MEGKEZDÉSE ELŐTT KÖSSÉ LE A GYERTYAKÁBELT.

1. KEREKEK-Kenje meg a kerekek golyócsapágyát vékony kenőolajjal szezononként legalább egyszer.
2. MOTOR-A kenési utasításokat megtalálja a motor kézikönyvében.
3. PENGE VEZÉRLÉS-Kenje meg a penge vezérlőkar csuklóit és a fékezőkábel vékony kenőolajjal szezononként legalább egyszer. A penge vezérlőkarnak mindkét irányban akadálytalanul kell mozognia.

## 11. TISZTÍTÁS



**FIGYELEM:** Ne mossa a motort vízsugárral. A víz károsíthatja a motort, és elszennyezheti az üzemanyagrendszer.

1. A géptestet törölje le törlerönggyel.
2. A gépet felbillentve, hogy a gyűjtőgyertya felfele nézzen vízsugárral lemoshatja a gép alját.

### 11-1 A MOTOR LÉGSZŰRŐJE



**FIGYELEM:** Ügyeljen arra, hogy a légszűrő szivacsbetétjét ne tömítse el por és egyéb szennyeződés.

A légszűrőbetétet 25 órányi normál fűnyírás után végezzen karbantartást (tisztítsa ki). Száraz, poros környezetben történő használat esetén a légszűrőbetétet tisztítsa gyakrabban. (lásd a MOTOR KEZELÉSI UTASÍTÁSÁT)

### A LÉGSZŰRŐ TISZTÍTÁSA

1. Távolítsa el a csavart.
2. Távolítsa el a fedelet.
3. Mossa ki a betétet szappanos vízben. **NE HASZNÁLJON BENZINT!**
4. Szárítsa meg a betétet.
5. Cseppentsen pár csepp SAE30 motorolajat a betétre, majd csavarja ki belőle a felesleges olajat.
6. Szerelje vissza a szűrőbetétet.



**MEGJEGYZÉS:** Cserélje ki a betétet, ha foszlik, elszakadt, megsérült vagy nem lehet kitisztítani. (24. ábra)

## 11-2 VÁGÓPENGE



**FIGYELEM:** A motor véletlen beindulását megelőzendő feltétlenül kösse le, és testelje a gyertyakábelét, mielőtt a vágópengén dolgozni kezdene. Kezei védelmében viseljen erős védőkesztyűt, vagy fogja meg egy ronggyal a vágópengét. Billentse fel a fűnyírót a motor kézikönyvében ismertetett módon. Távolítsa el a pengét és a penge adapterét a főtengelyhez rögzítő hatlapfejű anyát és az alátétet. Szerelje le a pengét és az adaptert a főtengelyről.



**FIGYELEM:** Ellenőrizze rendszeresen a penge adaptert repedés szempontjából, különösen, ha a penge idegen tárgynak ütközött. Szükség esetén cserélje ki. A legjobb eredmény érdekében éles pengével dolgozzon. A pengét a megelézéshez szerelje le, majd az élet az eredeti kialakítást leginkább megközelítő módon köszörülje vagy reszelje élesre. A kiegyensúlyozatlanság elkerülése érdekében rendkívül fontos, hogy a penge mindkét ága azonos mértékű megmunkálást kapjon. A kiegyensúlyozatlan penge túlzott vibrációt kelt, ami a motor és az egész fűnyíró idő előtti tönkremenetelét okozhatja. Élesítés után gondosan egyensúlyozza ki a pengét. A penge kiegyensúlyozottsága hengeres szárú csavarhúzóval ellenőrizhető. A nehéz oldalról köszörüljön le annyi anyagot, amivel az egyensúly helyreáll.

### (25. ábra)

A penge és a pengeadapter visszaszerelése előtt kenje meg a főtengelyt és a pengeadapter belső felületét vékony kenőolajjal. A pengeadaptert szerelje vissza a főtengelyre úgy, hogy a „csillaga” a motor felé nézzen. Lásd a **25. ábrát**. A pengét a cikkszámával kifele helyezze az adapterre. Illesze az alátétet a pengére, és szerelje be a hatlapfejű csavart. Húzza meg a csavart az előírt nyomatékkal, lásd alább.

## 11-3 PENGE MEGHÚZÁSI NYOMATÉKA

A középső csavar meghúzási nyomatéka 35 - 45 Nm. A gép biztonságos működésének feltételei. Rendszeresen ellenőrizze az ÖSSZES anya és csavar megfelelően meghúzott állapotát. Hosszabb használat után, különösen homokos talaj esetén a penge elkophat, elvesztheti eredeti alakját. A vágás hatékonysága csökken, a pengét ki kell cserélni.

A pengét csak jóváhagyott gyári pótpengére cserélje. A penge kiegyensúlyozatlanságából eredő esetleges károkért a gyártó nem vállal felelősséget. Ha pengét kell cserélni, csak jelzéssel ellátott, eredeti pótalkatrészt használjon (MAKITA 263001451) (penge rendelésekor forduljon a márkakereskedőhöz, vagy hívjon fel bennünket).



**FIGYELEM:** Ne érjen a forgó pengéhez.

## 11-4 MOTOR

A motor karbantartási utasításait a motor különálló kézikönyvében megtalálja.

A motorolaj tekintetében járjon el a motor különálló kézikönyvében olvasható utasítások szerint. Olvassa el körültekintően, és kövesse az utasításokat.

A légszűrő karbantartása tekintetében normál körülmények esetén járjon el a motor különálló kézikönyvében olvasható utasítások szerint. Különösen poros környezetben történő használat esetén néhány óránként tisztítsa ki a légszűrőt. A légszűrő esedékes tisztítását a motor csökkenő teljesítménye és a légszűrő csöpögése jelzi.

A légszűrő karbantartása tekintetében esetén járjon el a motor különálló kézikönyvében olvasható utasítások szerint.

Szezononként egy ízben tisztítsa ki a gyújtógyertyát, és állítsa be az elektrodahézagot. Gyújtógyertyát fűnyírási szezon előtt cseréljen; a gyújtógyertya tipusát és az elektrodahézag értékét megtalálja a motor kézikönyvében.

Tisztítsa meg rendszeresen a motort törőronggyal vagy kefével. A hűtőrendszert (ventilátorház környéke) tartsa tisztán, hogy biztosítva legyen a motor megfelelő működéséhez és kellően hosszú élettartamához szükséges légáramlás. A kipufogó környékéről mindig távolítsa el a fűvet, szennyeződést és éghető anyagokat.

## 12. TÁROLÁS (SZEZONON KÍVÜL)

A fűnyíró megfelelő tárolásához az alábbi lépések szükségesek.

1. A szezon utolsó fűnyírása alkalmával fogyassza ki teljesen a benzint a tartályból.
2. Végezze el a fűnyíró tisztítását és kenését a kenési utasítás szerint.
3. A motor tárolásra történő előkészítését olvassa el a motor kézikönyvében.
4. A korrózió megelőzésére vonja be a pengét vékony rétegben alvázkenő zsírral.
5. A fűnyírót tárolja tiszta, száraz helyen.



### MEGJEGYZÉS:

- Ha nem szellőző helyen tárol bármilyen motorral hajtott berendezést;
- Ügyeljen a berendezések korrózió elleni védelmére. Vonja be vékony réteg szilikonolajjal a berendezéseket, különös tekintettel a bovdenekre és mozgó alkatrészekre.
- Ügyeljen arra, hogy a bovdenek és egyéb kábelek ne törjenek meg, ne csipődjenek be.
- Ha az indítókötél kiakadna a fogantyún található vezetőtől, kösse ki, és testelje a a gyertyakábelét, húzza be a pengevezérlő fogantyút, és húzza ki lassan a motorból az indítókötélet. Csúsztassa be a kötelet a fogantyún található kötélvezetőbe.



## 13. HIBAELEHÁRÍTÁS

| PROBLÉMA  | LEHETSÉGES OK  | JAVÍTÓ MŰVELET  |
|---|--|---|
| A motor nem indul be.                                     | A gázkar nem az indítási feltételeknek megfelelő helyzetben áll. | Állítsa a gázkart a megfelelő helyzetbe.  |
|   | Kiürült a benzintank.  | Tankolja fel a gépet. lásd a MOTOR KEZELÉSI UTASÍTÁSÁT.   |
|   | Elszennyeződött a légszűrőbetét.                                 | Tisztítsa ki a légszűrőbetétet: lásd a MOTOR KEZELÉSI UTASÍTÁSÁT.   |
|   | Kilazult a gyújtógyertya.  | Húzza meg a gyújtógyertyát 25 - 30 Nm nyomatékkal.  |
|   | A gyertyakábel lelazult, vagy levált a gyertyáról.               | Tegye vissza a gyertyakábel a gyújtógyertyára.  |
|   | Nem megfelelő a gyertyahézag.                                    | Állítsa be az elektródák hézagát 0,7 - 0,8 mm értékűre.   |
|   | Hibás a gyújtógyertya.   | Szerelje be egy új, megfelelő hézagúra beállított gyújtógyertyát: lásd a MOTOR KEZELÉSI UTASÍTÁSÁT.   |
|   | A karburátor túltöltődött benzinnel.                             | Szerelje ki a légszűrőbetétet, az indítókötél folyamatos használatával forgassa át párszor a motort, hogy karburátor kiszellőzhessen, majd szerelje vissza a légszűrőbetétet. |
| A motort nehéz beindítani, vagy nincs elég teljesítménye. | Hibás gyújtómodul.   | Forduljon a Makita hivatalos szervizképviseletéhez.   |
|   | Szennyeződés, víz vagy lerakódás a benzintankban.                | Ürítse le az üzemanyagot, és tisztítsa ki a tartályt. Tankoljon tiszta, friss benzint.  |
|   | Eltömődött a tanksapka szellőzőfurata.                           | Tisztítsa ki, vagy cserélje le a tanksapkát.  |
| A motor egyenetlenül működik.                             | Elszennyeződött a légszűrőbetét.                                 | Tisztítsa ki a légszűrőbetétet.   |
|   | Hibás a gyújtógyertya.   | Szerelje be egy új, megfelelő hézagúra beállított gyújtógyertyát: lásd a MOTOR KEZELÉSI UTASÍTÁSÁT.   |
|   | Nem megfelelő a gyertyahézag.                                    | Állítsa be az elektródák hézagát 0,7 - 0,8 mm értékűre.   |
| Gyenge az alapjárat.                                      | Elszennyeződött a légszűrőbetét.                                 | Tisztítsa ki a légszűrőbetétet: lásd a MOTOR KEZELÉSI UTASÍTÁSÁT.   |
|   | Eltömődtek a motorburkolat szellőzőnyílásai.                     | Távolítsa el a szennyeződések.  |
|   | Eltömődtek a hűtőbordák és a légjáratok a légűtő ház alatt.      | Távolítsa el a szennyeződések a bordák közül és a légjáratokból.  |
| A motor magas fordulatszámra kihagy.                      | Túl kicsi a gyertyahézag.  | Állítsa be az elektródák hézagát 0,7 - 0,8 mm értékűre.   |
| A motor túlmelegszik.                                     | A hűtőlevegő útja elzáródott.                                    | Távolítsa el a szennyeződések a bordák közül és a légjáratokból.  |
|   | Nem megfelelő a gyertyahézag.                                    | Szereljen be RJ19LMC típusú gyújtógyertyát, és tisztítsa meg a hűtőbordákat.  |
| A fűnyíró rendellenesen vibrál.                           | Lelazult a vágópenge.  | Húzza meg a pengét.   |
|   | A vágópenge kiegyensúlyozatlan.                                  | Egyensúlyozza ki a pengét.  |

## 14. KÖRNYEZET

Ha a gép elérte élettartama végét, ne kezelje háztartási hulladékként, selejtezze környezetbarát módon.

**Csak európai országokra vonatkozóan**

**EK Megfelelőségi nyilatkozat**

**Mi, a Makita Corporation mint a termék felelős gyártója kijelentjük, hogy a következő Makita gép(ek):**

Gép megnevezése: Benzinmotoros fűnyíró

Típus sz./ Típus: PLM4621, PLM4622

Műszaki adatok: Lásd: „4. Műszaki adatok”

sorozatgyártásban készül és

**megfelel a következő európai előírásoknak:**

2006/42/EK, 2004/108/EK,

2000/14/EK és 2005/88/EK

és gyártása a következő szabványoknak valamint szabványosított dokumentumoknak megfelelően történik:

EN836, EN ISO14982

A műszaki dokumentáció Európában a következő hivatalos képviselőknél található:

Makita International Europe Ltd.,

Michigan, Drive, Tongwell,

Milton Keynes, MK15 8JD, Anglia.

A 2000/14/EK direktíva által előírt megfelelőség-tanúsítási eljárást a melléklet tartalmazza VI.

Tanúsító testület:

TÜV SÜD Industrie Service GmbH

Westendstraße 199, D-80686 München

Azonosítószám: 0036

Típuszám: PLM4621

Mért hangteljesítményszint: 93,1 dB

Garantált hangteljesítményszint: 96 dB

Típuszám: PLM4622

Mért hangteljesítményszint: 92,3 dB

Garantált hangteljesítményszint: 96 dB

11. 11. 2011



Tomoyasu Kato

igazgató

Makita Corporation

3-11-8, Sumiyoshi-cho,

Anjo, Aichi, JAPAN

## Пояснения к общему виду

- |                                  |                             |                                |
|----------------------------------|-----------------------------|--------------------------------|
| 1. Верхняя рукоятка              | 6. Направляющая для троса   | 12. Крышка маслобака           |
| 2. Рукоятка управления остановом | 7. Мешок для травы          | 13. Кабельный зажим            |
| 3. Ручка управления движением    | 8. Рычаг регулировки высоты | 14. Рукоятка блокировки        |
| 4. Рычаг оборотов двигателя      | 9. Основание                | 15. Рычаг регулировки скорости |
| 5. Рукоятка стартера             | 10. Свеча зажигания         |                                |
|                                  | 11. Крышка топливного бака  |                                |



### ПРЕДОСТЕРЕЖЕНИЕ!

Чтобы обеспечить безопасное использование, прочтите это руководство перед началом эксплуатации устройства. Несоблюдение указаний может стать причиной тяжелых травм. Уделите немного времени, чтобы ознакомиться с газонокосилкой перед ее использованием.



Предупреждение: Двигатель горячий.



Отпустите ручку с выключателем, чтобы выключить мотор.



Чтобы переместить устройство вперед, нажмите на ручку управления движением.

## 1. МАРКИРОВКИ НА ИЗДЕЛИИ



Прочтите Руководство по эксплуатации.



Не допускайте посторонних к месту работ.



Чтобы избежать травм, оператор должен обращать особое внимание на руки и ноги.



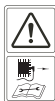
Токсичные пары; не эксплуатируйте в помещении.



Топливо легко воспламеняется, не подносите к нему огонь. Не доливайте топливо на работающей машине.



Во время обработки газона используйте защитные очки и предохранительные наушники.



Во время ремонта извлеките свечу зажигания и затем выполняйте ремонт в соответствии с руководством по эксплуатации.

## 2. ОБЩИЕ ПРАВИЛА ТЕХНИКИ БЕЗОПАСНОСТИ



**ПРЕДОСТЕРЕЖЕНИЕ:** При использовании бензиновых инструментов соблюдайте основные правила техники безопасности, включая перечисленные ниже, чтобы снизить риск получения тяжелых травм и/или повреждения устройства. Прочтите все инструкции до начала эксплуатации изделия и сохраните их для последующего использования.



**ПРЕДОСТЕРЕЖЕНИЕ:** Во время работы данное устройство создает электромагнитное поле. В некоторых случаях это поле может создавать помехи для активных или пассивных медицинских имплантатов. Чтобы уменьшить риск тяжелой или смертельной травмы, перед началом эксплуатации устройства людям с медицинскими имплантатами рекомендуется проконсультироваться с врачом и производителем имплантата.

### Обучение

- Внимательно прочитайте инструкции. Ознакомьтесь со всеми органами управления и правилами правильной эксплуатации изделия.
- Не разрешайте детям и лицам, не знакомым с данными инструкциями, пользоваться газонокосилкой. В местном законодательстве могут существовать возрастные ограничения для операторов.
- Запрещается эксплуатировать газонокосилку, если поблизости находятся люди (в особенности дети) или животные.
- Помните, что оператор/пользователь несет ответственность за происшествия и опасные

ситуации с другими людьми или их собственностью.

## Подготовка

- На время стрижки газона обязательно надевайте прочную обувь и длинные брюки. Не пользуйтесь оборудованием босиком или в открытых сандалиях.
- Тщательно осмотрите место, где будет использоваться оборудование, и удалите все предметы, которые могут быть отброшены машиной.
- **ПРЕДОСТЕРЕЖЕНИЕ** - Бензин легко воспламеняется.
  - храните топливо в предназначенных для этого канистрах;
  - направляйте бак только вне помещения, не курите во время заправки;
  - доливайте топливо до запуска двигателя. Запрещается снимать крышку топливного бака или доливать бензин при работающем двигателе или если двигатель горячий;
  - если бензин был пролит, не запускайте двигатель; передвиньте газонокосилку в сторону от места разлива и не создавайте каких-либо источников искр до испарения бензина;
  - надежно закрывайте крышки топливного бака и канистры.
- Замените неисправные глушители.
- Перед использованием обязательно осмотрите лезвия, болты крепления лезвий и режущий узел на предмет износа и повреждений. Заменяйте изношенные или поврежденные лезвия и болты комплектами, чтобы не допустить нарушения балансировки.

## Эксплуатация

- Не включайте двигатель в ограниченном пространстве, где возможно скопление опасных паров угарного газа.
- Стрижку газонов выполняйте только в дневное время или при хорошем искусственном освещении.
- По возможности не используйте оборудование на мокрой траве.
- Соблюдайте осторожность на склонах.
- Передвигайтесь шагом, не бегайте.
- При использовании колесных ротационных машин стрижку склонов выполняйте только поперек, но ни в коем случае не вверх и не вниз по склону.
- Соблюдайте особую осторожность, меняя направление движения на склонах.
- Не выполняйте стрижку чересчур крутых склонов.
- Соблюдайте особую осторожность при движении задним ходом или подтягивая газонокосилку к себе.
- Обязательно выключайте лезвие, если газонокосилку необходимо наклонить для транспортировки по поверхности, отличной от травы, либо при транспортировке газонокосилки к месту эксплуатации и обратно.
- Запрещается эксплуатировать газонокосилку с неисправными ограждениями или без защитных приспособлений, например, дефлекторов или бункера для сбора травы.

- Не меняйте настройки регулятора оборотов двигателя и не эксплуатируйте двигатель слишком долго.
- Перед запуском двигателя отсоедините все лезвия и муфты привода.
- Включайте двигатель осторожно, в соответствии с инструкциями, ноги при этом должны находиться как можно дальше от лезвий.
- При запуске двигателя не наклоняйте газонокосилку.
- Не включайте двигатель, стоя перед разгрузочным желобом.
- Не помещайте руки или ноги под вращающиеся детали или вблизи них. В любой ситуации не становитесь перед разгрузочным отверстием.
- Не поднимайте и не переносите газонокосилку с работающим двигателем.
- Выключите двигатель и отсоедините провод свечи зажигания, убедитесь, что все движущиеся части полностью остановились, если вставлен ключ - извлеките его:
  - перед устранением засоров и удалением предметов, закупоривших желоб;
  - перед проверкой, очисткой или обслуживанием газонокосилки;
  - после удара о посторонний предмет. Осмотрите газонокосилку на предмет повреждений и устраните неисправность, прежде чем включать и эксплуатировать газонокосилку;
  - Если началась ненормальная вибрация газонокосилки (немедленно проверьте!).
- Выключите двигатель и отсоедините провод свечи зажигания, убедитесь, что все движущиеся части полностью остановились, если вставлен ключ - извлеките его:
  - оставляя газонокосилку без присмотра;
  - перед заправкой.
- При выключении двигателя уменьшите степень открытия дроссельной заслонки; если двигатель оснащен отсечным клапаном, по окончании стрижки газона выключите подачу топлива.
- Используйте газонокосилку только по назначению, для стрижки и подбора травы. Любые другие способы применения могут быть опасными, привести к повреждению машины.

## Обслуживание и хранение

- Все гайки, болты и винты должны быть надежно затянуты - это обеспечит безопасность и работоспособность.
- Не храните оборудование с бензином в баке в помещениях, где пары могут достичь открытого огня или искр.
- Перед постановкой на хранение в помещении дайте двигателю остыть.
- Чтобы уменьшить опасность пожара, храните двигатель, глушитель, отделение для батареи и бензин вдали от мест с травой, листьями или вблизи с большим количеством смазки.
- Периодически проверяйте бункер для сбора травы на предмет износа и снижения эксплуатационных качеств.
- Чтобы обеспечить безопасность, заменяйте изношенные и поврежденные детали.

- Если требуется слить топливо из бака, это следует делать вне помещения.



**ПРЕДОСТЕРЕЖЕНИЕ:** Не прикасайтесь к вращающемуся лезвию.



**ПРЕДОСТЕРЕЖЕНИЕ:** Выполняйте заправку только в хорошо проветриваемом помещении при остановленном двигателе.

## 3. ОПИСАНИЕ ДЕТАЛЕЙ (Рис. 1 и 2)

**Включая:**

- A: Ключ для свечи зажигания
- B: Клин для мульчирования

## 4. ТЕХНИЧЕСКИЕ ДАННЫЕ

| Модель   | PLM4621                    | PLM4622                     |
|--|----------------------------|-----------------------------|
| Тип масла                                      | Серии B&S 650E, ReadyStart | Серии B&S 675EX, ReadyStart |
| Самоходная                                     | Да                         | Да                          |
| Рабочий объем двигателя                        | 190 см <sup>3</sup>        | 190 см <sup>3</sup>         |
| Ширина ножа                                    | 460 мм                     | 460 мм                      |
| Холостые обороты                               | 2800/мин                   | 2800/мин                    |
| Емкость топливного бака                        | 1,0 л                      | 1,0 л                       |
| Емкость маслобака                              | 0,6 л                      | 0,6 л                       |
| Объем мешка для травы                          | 60 л                       | 60 л                        |
| Чистый вес                                     | 33,8 кг                    | 35,4 кг                     |
| Регулировка высоты                             | 20-75 мм, 5 положений      | 20-75 мм, 5 положений       |
| Шум согласно EN836                             |                            |                             |
| Уровень звукового давления (L <sub>РА</sub> ): | 81,5 дБ (А)                | 83,1 дБ (А)                 |
| Уровень мощности звука (L <sub>WA</sub> ):     | 93,1 дБ (А)                | 92,3 дБ (А)                 |
| Погрешность (K):                               | 2,41 дБ (А)                | 2,75 дБ (А)                 |
| Вибрация согласно EN836                        |                            |                             |
| Распространение вибрации (a <sub>н</sub> ):    | 6,4 м/с <sup>2</sup>       | 7,5 м/с <sup>2</sup>        |
| Погрешность (K):                               | 1,5 м/с <sup>2</sup>       | 1,5 м/с <sup>2</sup>        |

## 5. СБОРКА

### 5-1 СБОРКА СКЛАДНОЙ РУКОЯТКИ

- Вставьте нижние концы рукояток в корпус устройства, при этом стопорные гайки должны быть в указанном положении. (Рис. 3, Рис. 4, Рис. 5, Рис. 6)
- Для складывания освободите верхние рукоятки. Соедините верхнюю и нижнюю рукоятки стопорной гайкой. (Рис. 7, Рис. 8)
- Проложите кабели по осям рукояток. Зафиксируйте их вокруг средней части нижней рукоятки с помощью хомутов, чтобы кабели располагались в стороне от машины. В противном случае кабели могут быть защемлены при открытии/закрытии задней крышки или натянуты при складывании верхней рукоятки. (Рис. 9)

### 5-2 СБОРКА БУНКЕРА ДЛЯ СБОРА ТРАВЫ

- Установка: Поднимите заднюю крышку и повесьте бункер для сбора травы на ось в задней части газонокосилки. (Рис. 10, Рис. 11)

- Снятие: Возьмитесь за заднюю крышку и поднимите ее, затем отсоедините бункер.

### 5-3 РУКОЯТКА СТАРТЕРА

Переведите рукоятку стартера с двигателя на направляющую троса. (Рис. 12, Рис. 13)

### 5-4 ВЫСОТА СРЕЗАНИЯ

Нажмите по направлению наружу, чтобы высвободить рычаг из рейки. Переместите рычаг вперед или назад для регулировки высоты. (Рис. 14, см. также пункт 8-9)

## 6. РЕГУЛИРОВКА ВЫСОТЫ

- Выверните рукоятку блокировки, которая фиксирует нижнюю рукоятку, см. Рис. 15.
- См. Рис. 16, переместите нижнюю рукоятку вверх-вниз, чтобы установить нужную высоту. На данной газонокосилке имеется 3 положения высоты: 1 – максимальная высота нижней рукоятки от земли, 3 – минимальная высота.
- Установите нужную высоту, затем зафиксируйте рукоятку рукоятками блокировки.



**ПРЕДОСТЕРЕЖЕНИЕ:** Левая и правая стороны нижней рукоятки должны находиться на одинаковой высоте.

## 7. ГАЗОКОСИЛКА ДЛЯ МУЛЬЧИРОВАНИЯ

Что такое мульчирование?

При мульчировании трава срезается за один рабочий проход, затем мелко нарезается и возвращается на почву в качестве природного удобрения.

Советы для обработки газонов с мульчированием:

- Обычное срезание травы максимум на 2 см: с 6 до 4 см.
- Используйте острый нож.
- Не косите мокрую траву.
- Устанавливайте максимальные обороты двигателя.
- Перемещайтесь только в рабочем темпе.
- Регулярно очищайте клин для мульчирования, внутренние поверхности корпуса и лезвие.



**ПРЕДОСТЕРЕЖЕНИЕ:** Только при выключенном двигателе и неподвижном ноже.

1. Поднимите заднюю крышку и снимите бункер для сбора травы;
2. Надвиньте клин для мульчирования на основание. Зафиксируйте кнопкой клин для мульчирования в отверстии основания. (Рис. 17, Рис. 18)
3. Опустите заднюю крышку.

## 8. ИНСТРУКЦИИ ПО ЭКСПЛУАТАЦИИ

### 8-1 ПЕРЕД НАЧАЛОМ РАБОТЫ

Обрабатывайте двигатель бензином и маслом согласно инструкциям в отдельном руководстве по двигателю, которое входит в комплект документации, прилагаемой к газонокосилке. Внимательно прочитайте инструкции.



**ПРЕДОСТЕРЕЖЕНИЕ:** Бензин легко воспламеняется.

Храните топливо в предназначенных для этого канистрах.

Заправляйте бак только вне помещения, перед запуском двигателя, и не курите во время заправки или погрузочно-разгрузочных операций с топливом. Запрещается снимать крышку топливного бака или доливать бензин при работающем двигателе или если двигатель горячий.

Если бензин был пролит, не запускайте двигатель; передвиньте газонокосилку в сторону от места разлива и не создавайте каких-либо источников искр до испарения бензина.

Надежно закрывайте крышки топливного бака и канистры.

Перед тем как наклонить газонокосилку для обслуживания ножа или слива масла, слейте топливо из бака.



**ПРЕДОСТЕРЕЖЕНИЕ:** Запрещается заливать топливо в бак в помещении, при работающем двигателе или ранее 15 минут после выключения двигателя.

### 8-2 ПУСК ДВИГАТЕЛЯ И ВКЛЮЧЕНИЕ НОЖА

1. Свеча зажигания газонокосилки защищена резиновым чехлом; убедитесь, что металлическая петля на конце провода свечи зажигания (внутри резинового чехла) надежно прикреплена к металлическому наконечнику на свече зажигания.
2. При пуске холодного двигателя поверните рычаг управления оборотами в положение "☞". При пуске горячего двигателя и во время работы рычаг управления оборотами следует установить в положение "☞". (Рис. 19)
3. Стоя позади устройства, возьмитесь за рукоятку останова и прижмите ее к верхней рукоятке как показано на Рис. 20.
4. Возьмитесь за рукоятку стартера как показано на Рис. 20 и резко потяните вверх. После запуска двигателя медленно верните ее на направляющую троса. Чтобы остановить двигатель и нож, отпустите рукоятку останова.



Включайте двигатель осторожно, в соответствии с инструкциями, ноги при этом должны находиться как можно дальше от лезвий.



При запуске двигателя не наклоняйте газонокосилку. Включайте газонокосилку на ровной поверхности, свободной от высокой травы или препятствий.



Берегите руки и ноги от вращающихся деталей. Не включайте двигатель, стоя перед разгрузочным отверстием.

### 8-3 ПРОЦЕДУРЫ ЭКСПЛУАТАЦИИ

Во время работы надежно удерживайте рукоятку останова обеими руками.



**Примечание:** Если во время работы отпустить рукоятку останова, двигатель выключится, и газонокосилка прекратит работу.

### 8-4 ВЫКЛЮЧЕНИЕ ДВИГАТЕЛЯ



**ПРЕДУПРЕЖДЕНИЕ:** Нож продолжает вращаться в течение нескольких секунд после выключения двигателя.

1. Чтобы остановить двигатель и нож, отпустите рукоятку останова.
2. Отсоедините и заземлите провод зажигания от свечи согласно указаниям в руководстве по

эксплуатации двигателя, чтобы предотвратить случайный самопроизвольный пуск устройства.

## 8-5 СОЕДИНЕНИЕ ДЛЯ АВТОМАТИЧЕСКОГО ДВИЖЕНИЯ

### Для PLM4621

Возьмитесь за ручку управления движением, газонокосилка начнет автоматически двигаться вперед со скоростью примерно 1 м/с. Если отпустить ручку управления движением, газонокосилка остановится.

### Для PLM4622

Газонокосилка оснащена системой регулировки скорости с тремя режимами – от 3,0 до 4,5 км/ч. Действовать как указано ниже:

1. Отпустите ручку управления движением, чтобы газонокосилка остановилась.
2. Настройте нужную скорость.
3. Возьмитесь за ручку управления движением, чтобы продолжить обработку газона. (Рис. 21)



### ПРЕДУПРЕЖДЕНИЕ:

Газонокосилка предназначена для скашивания травы на приусадебных участках, высота которой не превышает 250 мм.

Не пытайтесь скашивать слишком высокую, сухую или влажную траву (например, на пастбище) или кучи сухих листьев. Мусор может скопиться в основании газонокосилки или попасть на выпускную систему, что может создать потенциальную угрозу пожара.

## 8-6 МЕТОДЫ МУЛЬЧИРОВАНИЯ

Очистите газон от мусора. Убедитесь, что на газоне нет камней, палок, проводов или других инородных предметов, которые могут быть случайно выброшены газонокосилкой, причинив тяжелую травму оператору или посторонним людям, повредить имущество или окружающие предметы. Не косите мокрую траву. Для максимальной эффективности мульчирования не косите мокрую траву, поскольку она налипает на днище основания и затрудняет мульчирование. Срезайте не более 1/3 высоты травы.

Рекомендованная высота срезания для мульчирования составляет 1/3 высоты травы. Скорость передвижения следует подобрать таким образом, чтобы срезанная трава равномерно распределялась по газону. Если трава густая и скашивание затруднено, используйте одну из минимальных скоростей, чтобы обеспечить качественное мульчирование. При мульчировании высокой травы может потребоваться скашивание газона в два захода, опустив нож еще на 1/3 при втором заходе. Возможно, при втором заходе нужно будет изменить способ скашивания.

Для зачистки отдельных нескошенных участков рекомендуется, чтобы каждый следующий проход немного перекрывал предыдущий. Газонокосилку следует эксплуатировать с максимально открытой дроссельной заслонкой, чтобы добиться наилучшего срезания травы и максимально эффективного мульчирования. Очищайте днище основания.

Обязательно очищайте днище основания после каждого использования, чтобы не допустить скопления травы. Она снижает качество мульчирования. Мульчирование листьев. Мульчирование листьев также полезно для газонов. При мульчировании листьев убедитесь, что они сухие и их слой на газоне не слишком толстый. Не дожидайтесь, пока с деревьев опадут все листья, чтобы начать мульчирование.



### ПРЕДОСТЕРЕЖЕНИЕ:

Наткнувшись на посторонний предмет, выключите двигатель. Отсоедините провод от свечи зажигания, тщательно осмотрите газонокосилку на предмет повреждений, и устраните повреждения перед повторным запуском и эксплуатацией газонокосилки. Сильная вибрация газонокосилки во время работы является признаком повреждения. Устройство следует незамедлительно осмотреть и отремонтировать.

## 8-7 БУНКЕР ДЛЯ СБОРА ТРАВЫ

Опорожните и очистите мешок, убедитесь, что он чистый, а его сетка вентилируется. (Рис. 22)

## 8-8 ОСНОВАНИЕ

Нижнюю поверхность основания газонокосилки следует очищать после каждого использования, чтобы предотвратить скопление обрезков травы, листьев, грязи и т.п. Если такой мусор будет скапливаться, это приведет к появлению ржавчины и коррозии, и может снизить качество мульчирования. Для очистки основания наклоните газонокосилку и соскребите грязь подходящим инструментом (убедитесь, что провод зажигания отсоединен).

## 8-9 УКАЗАНИЯ ПО РЕГУЛИРОВКЕ ВЫСОТЫ



**ПРЕДУПРЕЖДЕНИЕ:** Ни в коем случае не выполняйте какие-либо регулировки газонокосилки, не выключив предварительно двигатель и не отсоединив провод зажигания.



**ПРЕДУПРЕЖДЕНИЕ:** Перед изменением высоты скашивания выключите газонокосилку и отсоедините провод зажигания.

Газонокосилка оснащена центральным рычагом регулировки высоты, имеющим 5 положений.

1. Прежде чем изменять высоту срезания, выключите газонокосилку и отсоедините провод зажигания.
2. Центральный рычаг регулировки высоты имеет 5 различных положений.
3. Чтобы изменить высоту срезания, отожмите рычаг регулировки в сторону колеса и переместите вверх или вниз в положение требуемой высоты (Рис. 23). Все колеса при скашивании окажутся на одинаковой высоте.

## 9. ИНСТРУКЦИИ ПО УХОДУ

### СВЕЧА ЗАЖИГАНИЯ

Используйте только оригинальные свечи зажигания. Для максимально эффективной работы заменяйте свечу зажигания через каждые 100 часов эксплуатации. (См. РУКОВОДСТВО ПО ЭКСПЛУАТАЦИИ ДВИГАТЕЛЯ)

## 10. ИНСТРУКЦИИ ПО СМАЗКЕ



**ПРЕДУПРЕЖДЕНИЕ:** ПЕРЕД НАЧАЛОМ ОБСЛУЖИВАНИЯ ОТСОЕДИНИТЕ СВЕЧУ ЗАЖИГАНИЯ.

1. КОЛЕСА - Смазывайте подшипники каждого колеса светлым маслом не реже одного раза в сезон.
2. ДВИГАТЕЛЬ - Следуйте указаниям по смазке, приведенным в руководстве по эксплуатации двигателя.
3. РЕГУЛЯТОР НОЖА - Смазывайте шарниры на рукоятке управления ножом и тормозной трос светлым маслом не реже одного раза в сезон. Регулятор ножа должен свободно перемещаться в обоих направлениях.

## 11. ЧИСТКА



**ПРЕДУПРЕЖДЕНИЕ:** Не мойте двигатель из шланга. Вода может повредить двигатель или проникнуть в топливную систему.

1. Протирайте основание сухой тканью.
2. Промывайте днище основания, наклонив газонокосилку так, чтобы свеча зажигания была вверху.

### 11-1 ВОЗДУШНЫЙ ФИЛЬТР ДВИГАТЕЛЯ



**ПРЕДУПРЕЖДЕНИЕ:** Не допускайте засорения сменного элемента воздушного фильтра грязью и пылью.

Сменный элемент воздушного фильтра двигателя следует обслуживать (прочистать) через каждые 25 часов нормальной эксплуатации. Элемент из пеноматериала необходимо регулярно обслуживать, если газонокосилка используется в сухих пыльных условиях. (См. РУКОВОДСТВО ПО ЭКСПЛУАТАЦИИ ДВИГАТЕЛЯ)

### ОЧИСТКА ВОЗДУШНОГО ФИЛЬТРА

1. Извлеките винт.
2. Снимите крышку.
3. Промойте элемент воздушного фильтра водой с мылом. **НЕ ИСПОЛЬЗОВАТЬ БЕНЗИН!**
4. Просушите воздушный фильтр сжатым воздухом.

5. Капните несколько капель масла SAE30 на элемент из вспененного материала и слегка сожмите, чтобы удалить излишки масла.

6. Установите фильтр на место.



**ПРИМЕЧАНИЕ:** Если фильтр изношен, порван, поврежден или не поддается чистке, его следует заменить. (Рис. 24)

### 11-2 НОЖ



**ПРЕДУПРЕЖДЕНИЕ:** Чтобы не допустить случайного пуска двигателя, обязательно отсоединяйте и заземляйте провод зажигания, прежде чем приступать к обслуживанию ножа. Если нужно взяться за нож, надевайте толстые перчатки или используйте обрезки ткани. Наклоните газонокосилку, как указано в отдельном руководстве по эксплуатации двигателя. Извлеките шестигранный болт с шайбой, которые удерживают нож с адаптером на коленвале двигателя. Отсоедините нож и адаптер от коленвала.



**ПРЕДОСТЕРЕЖЕНИЕ:** Периодически осматривайте адаптер ножа на предмет трещин, особенно в случае удара о посторонний предмет. При необходимости замените.

Для обеспечения максимально эффективной работы нож должен быть острым. Для заточки ножа его необходимо снять и использовать шлифовальный круг либо напильник для придания ножу формы, как можно более близкой к первоначальной. Очень важно, чтобы режущие края были заточены одинаково, чтобы предотвратить нарушение балансировки ножа. Неправильная балансировка приведет к повышенной вибрации, что станет причиной повреждения двигателя и газонокосилки. Обязательно выполняйте балансировку ножа после заточки. Балансировку ножа можно проверить с помощью отвертки, используемой в качестве оси. Снимайте металл с более тяжелой стороны ножа, пока не добьетесь равномерной балансировки. (Рис. 25)

Перед установкой ножа и адаптера на газонокосилку смажьте коленвал двигателя и внутренние поверхности адаптера светлым маслом. Установите адаптер на коленвал звездочкой от двигателя. См. Рис. 25. Установите нож стороной с номером детали от адаптера. Установите шайбу на нож и вставьте шестигранный болт. Затяните болт усилием, указанным ниже.

### 11-3 МОМЕНТ ЗАТЯЖКИ НОЖА

Центральный болт следует затягивать усилием 35 - 45 Нм. Это обеспечит безопасную эксплуатацию устройства. Необходимо периодически проверять надежность затяжки ВСЕХ гаек и болтов. После длительного использования, особенно в местностях с песчаной почвой, нож изнашивается и теряет первоначальную форму. Эффективность резки снижается, и нож следует заменить.



В качестве замены используйте только ножи заводского производства и рекомендованных марок. Изготовитель не несет ответственность за повреждения, вызванные использованием ножей с неправильной балансировкой.

При замене ножа необходимо использовать оригинальные детали с маркировкой на лезвии (MAKITA 263001451) (информацию о других ножах можно получить у местного дилера или в нашей компании).



#### **ПРИМЕЧАНИЕ:**

- В случае хранения любого оборудования с силовой установкой в непроветриваемом помещении или на складе материалов;
- необходимо принять меры для предотвращения коррозии и ржавчины. Нанесите на оборудование светлое масло или силиконовое масло, особенно на кабели и все подвижные части.
- Не перегибайте и не перекручивайте кабели.
- Если трос стартера отсоединится от направляющей на рукоятке, отсоедините и заземлите провод зажигания, нажмите на рукоятку управления ножом и медленно вытяните трос стартера из двигателя. Наденьте трос стартера на болт направляющей троса на рукоятке.



**ПРЕДОСТЕРЕЖЕНИЕ:** Не прикасайтесь к вращающемуся лезвию.

## **11-4 ДВИГАТЕЛЬ**

Инструкции по уходу за двигателем см. в отдельном руководстве по эксплуатации двигателя. Замену масла выполняйте в соответствии с указаниями в отдельном руководстве по эксплуатации двигателя, которое входит в комплект поставки вашего устройства.

Внимательно прочитайте инструкции и точно выполняйте все указания.

Обслуживайте воздушный фильтр согласно указаниям в отдельном руководстве по эксплуатации двигателя при нормальных условиях. При эксплуатации в условиях сильного запыления очищайте через каждые несколько часов работы.

Падение мощности двигателя и перелив топлива обычно указывают на необходимость очистки воздушного фильтра.

Указания по обслуживанию воздушного фильтра см. в отдельном руководстве по эксплуатации двигателя, которое входит в комплект поставки вашего устройства.

Свечу зажигания следует очищать и регулировать зазор электродов один раз в сезон. Рекомендуется заменять свечу зажигания в начале каждого сезона; тип свечи и зазор электродов см. в руководстве по эксплуатации двигателя.

Регулярно чистите двигатель тканью или щеткой.

Поддерживайте чистоту системы охлаждения (область корпуса вентилятора) для надлежащей циркуляции воздуха. Это обеспечит нормальную работу и продлит срок службы двигателя.

Обязательно удаляйте траву, грязь и горючий мусор из области глушителя.

## **12. УКАЗАНИЯ ПО ХРАНЕНИЮ (МЕЖДУ СЕЗОНАМИ)**

Для подготовки газонокосилки к длительному хранению выполните следующее.

1. После окончания сезона запустите двигатель и дождитесь полной выработки топлива.
2. Тщательно очистите и смажьте газонокосилку в соответствии с инструкциями по смазке.
3. Инструкции по хранению двигателя см. в руководстве по эксплуатации двигателя.
4. Для предотвращения появления ржавчины смажьте нож консистентной смазкой.
5. Храните газонокосилку в сухом чистом месте.

### 13. ПОИСК И УСТРАНЕНИЕ НЕИСПРАВНОСТЕЙ

| ПРОБЛЕМА  | ВОЗМОЖНАЯ ПРИЧИНА   | СПОСОБ УСТРАНЕНИЯ  |
|---|---|--|
| Двигатель не запускается.                                     | Неправильное положение воздушной заслонки для данных условий.           | Установите воздушную заслонку в правильное положение.  |
|   | Топливный бак пуст.   | Залейте топливо в бак: см. РУКОВОДСТВО ПО ЭКСПЛУАТАЦИИ ДВИГАТЕЛЯ.  |
|   | Загрязнен фильтрующий элемент воздушного фильтра.                       | Очистите воздушный фильтр: см. РУКОВОДСТВО ПО ЭКСПЛУАТАЦИИ ДВИГАТЕЛЯ.  |
|   | Не затянута свеча зажигания.  | Затяните свечу зажигания усилием 25 - 30 Нм.   |
|   | Не закреплен или отсоединен провод зажигания.                           | Установите провод зажигания на свечу.  |
|   | Неправильный зазор электродов свечи зажигания.                          | Установите зазор между электродами свечи 0,7 - 0,8 мм.   |
|   | Неисправна свеча зажигания.   | Установите новую свечу с правильным зазором электродов: см. РУКОВОДСТВО ПО ЭКСПЛУАТАЦИИ ДВИГАТЕЛЯ.   |
|   | Перелив топлива в карбюратор.   | Снимите фильтрующий элемент воздушного фильтра и вытягивайте трос стартера до тех пор, пока из карбюратора не сольется излишек топлива, после чего установите воздушный фильтр на место. |
|   | Неисправен модуль зажигания.  | Обратитесь в официальный сервисный центр компании Makita.  |
| Затруднения с пуском двигателя или потеря мощности двигателя. | Грязь, вода в топливе или старое топливо.                               | Слейте топливо и очистите бак. Залейте в бак чистое, свежее топливо.   |
|   | Засорено вентиляционное отверстие в крышке топливного бака.             | Очистите или замените крышку топливного бака.  |
|   | Загрязнен фильтрующий элемент воздушного фильтра.                       | Очистите воздушный фильтр.   |
| Неустойчивая работа двигателя.                                | Неисправна свеча зажигания.   | Установите новую свечу с правильным зазором электродов: см. РУКОВОДСТВО ПО ЭКСПЛУАТАЦИИ ДВИГАТЕЛЯ.   |
|   | Неправильный зазор электродов свечи зажигания.                          | Установите зазор между электродами свечи 0,7 - 0,8 мм.   |
|   | Загрязнен фильтрующий элемент воздушного фильтра.                       | Очистите воздушный фильтр: см. РУКОВОДСТВО ПО ЭКСПЛУАТАЦИИ ДВИГАТЕЛЯ.  |
| Неустойчивая работа двигателя на холостых оборотах.           | Загрязнен фильтрующий элемент воздушного фильтра.                       | Очистите воздушный фильтр: см. РУКОВОДСТВО ПО ЭКСПЛУАТАЦИИ ДВИГАТЕЛЯ.  |
|   | Заблокированы вентиляционные щели в кожухе двигателя.                   | Удалите мусор из отверстий.  |
|   | Засорены ребра теплоотвода и воздушные каналы под корпусом вентилятора. | Удалите мусор из ребер теплоотвода и воздушных каналов.  |
| Перебои в работе двигателя на высоких оборотах.               | Недостаточный зазор между электродами свечи зажигания.                  | Установите зазор между электродами свечи 0,7 - 0,8 мм.   |
| Перегрев двигателя.   | Недостаточный поток воздуха охлаждения.                                 | Удалите мусор из щелей кожуха, корпуса вентилятора и воздушных каналов.  |
|   | Свеча зажигания неверного типа.   | Установите свечу зажигания RJ19LMC и ребра теплоотвода.  |
| Сильная вибрация газонокосилки.                               | Не закреплен режущий блок.  | Затяните крепление ножа.   |
|   | Нарушена балансировка режущего блока.                                   | Выполните балансировку ножа.   |

## 14. ОКРУЖАЮЩАЯ СРЕДА

Если срок эксплуатации газонокосилки истек и ее требуется заменить, не выбрасывайте ее вместе с бытовыми отходами. Утилизируйте ее безопасным для окружающей среды способом.

### Только для европейских стран

### Декларация о соответствии ЕС

**Makita Corporation, являясь ответственным производителем, заявляет, что следующие устройства Makita:**

Обозначение устройства: Газонокосилка с бензиновым двигателем

№ модели / тип: PLM4621, PLM4622

Технические характеристики: См. "4. Технические данные"

являются серийными изделиями и

**Соответствует следующим директивам ЕС:**

2006/42/ЕС, 2004/108/ЕС,

2000/14/ЕС и 2005/88/ЕС

И изготовлены в соответствии со следующими стандартами или нормативными документами:

EN836, EN ISO14982

Техническая документация хранится у официального представителя в Европе:

Makita International Europe Ltd.,

Michigan, Drive, Tongwell,

Milton Keynes, MK15 8JD, England

Процедура оценки соответствия согласно директиве 2000/14/ЕС была проведена в соответствии с приложением VI.

Уполномоченный орган:

TÜV SÜD Industrie Service GmbH

Westendstraße 199, D-80686 München

Идентификатор: 0036

Модель PLM4621

Измеренный уровень звуковой мощности: 93,1 дБ

Гарантированный уровень звуковой мощности:

96 дБ

Модель PLM4622

Измеренный уровень звуковой мощности: 92,3 дБ

Гарантированный уровень звуковой мощности:

96 дБ

11. 11. 2011



Tomoyasu Kato (Томояшу Като)

Директор

Makita Corporation

3-11-8, Sumiyoshi-cho,

Anjo, Aichi, JAPAN

**Objašnjenje općenitog prikaza**

- |   |                                    |                                  |
|---|------------------------------------|----------------------------------|
| 1. Gornja ručka                         | 6. Vodilica za konopac             | 12. Čep ulja                     |
| 2. Ručka za zaustavljanje               | 7. Vreća za travu                  | 13. Stezaljka kabela             |
| 3. Upravljačka ručka samostalnog pogona | 8. Poluga za prilagođavanje visine | 14. Gumb za zaključavanje        |
| 4. Poluga za brzinu motora              | 9. Platforma                       | 15. Poluga za podešavanje brzine |
| 5. Ručka pokretača                      | 10. Svjećica                       |                                  |
|   | 11. Čep goriva                     |                                  |



**UPOZORENJE**

Zbog vlastite sigurnosti, molimo pročitate ovaj priručnik prije pokušaja upravljanja vašom novom jedinicom. Nepridržavanje uputa može rezultirati teškim osobnim ozljedama. Odvojite nekoliko trenutaka i upoznajte se sa svojom kosilicom prije svake uporabe.

**1. SIMBOLI KOJIMA JE PROIZVOD OZNAČEN**



Pročitajte priručnik za rukovatelja.



Udaljite promatrače.



Osobito pazite na ruke i stopala rukovatelja kako biste izbjegli ozljede.



Otrovni plinovi; Ne koristite u kući.



Gorivo je zapaljivo, držite vatru podalje. Ne dolijevajte gorivo dok motor radi.



Prilikom košenja, molimo koristite naočale i čepove za uši kako biste se zaštitili.



Prilikom popravaka, molimo izvadite svjećicu te je popravite sukladno uputama u radnom priručniku.



Oprez: motor je vruć.



Opustite ručicu prekidača kako biste zaustavili motor.



Čvrsto uhvatite upravljačku ručku samostalnog pogona zbog kretanja prema naprijed.

**2. OPĆA SIGURNOSNA PRAVILA**



**UPOZORENJE:** Da bi se umanjila opasnost od teških ozljeda i/ili oštećivanja jedinice, prilikom uporabe benzina treba se pridržavati osnovnih sigurnosnih mjera, uključujući i sljedeće. Prije rukovanja ovim proizvodom pročitate sve upute i zadržite ih za buduću uporabu.



**UPOZORENJE:** Ovaj stroj proizvodi elektromagnetsko polje za vrijeme rada. U nekim okolnostima ovo polje može ometati aktivne i pasivne medicinske usatke. Da biste smanjili rizik od ozbiljne i fatalne ozljede preporučamo osobama s medicinskim usadcima da se konzultiraju sa svojim liječnikom i proizvođačem medicinskog usatka prije upravljanja strojem.

**Vježba**

- Pažljivo pročitate upute. Upoznajte se s kontrolama i pravilnim korištenjem opreme.
- Nikada ne dopustite djeci ili osobama koje nisu upoznate s uputama da koriste kosilicu za travu. Lokalne odredbe mogu ograničiti starosnu dob rukovatelja.
- Nikada ne kosite dok su u blizini ljudi, a naročito djeca ili kućni ljubimci.
- Imajte na umu da je rukovatelj ili korisnik odgovoran za nesreće ili opasnosti do koje se mogu dogoditi drugim ljudima ili njihovoj imovini.

**Priprema**

- Dok kosite, uvijek nosite izdržljivu obuću i duge hlače. Ne rukujte opremom dok ste bosih nogu ili dok nosite otvorene sandale.

- Pomno proučite područje na kojem će se oprema koristiti i uklonite sve predmete koje bi stroj mogao odbacivati.
- **UPOZORENJE** - benzin je jako zapaljiv.
  - gorivo spremajte u spremnike namijenjene za tu svrhu;
  - gorivo dolijevajte na otvorenom i ne pušite tijekom dolijevanja;
  - dolijte gorivo prije pokretanja motora. Nikada ne uklanjajte čep spremnika goriva i ne dolijevajte gorivo dok motor radi ili dok je motor vruć;
  - ako se benzin prolje, ne pokušavajte pokrenuti motor i odmaknite stroj s područja na kojem se gorivo prolilo te izbjegavajte korištenje bilo kakvih izvora vatre dok benzinske pare ne ispare;
  - pažljivo ponovno zatvorite čepove spremnika i kante za gorivo.
- Zamijenite pokvarene ispušne lonce.
- Prije upotrebe uvijek pregledajte nisu li oštrice, vijci oštrice i sklop rezača istrošeni ili oštećeni. Zamijenite istrošene ili oštećene oštrice i vijke u kompletu s ciljem održavanja ravnoteže.

## Rukovanje

- Ne pokrećite motor u zatvorenim prostorima u kojima se može nakupljati opasan ugljični monoksid.
- Kosite uvijek pri danjem svjetlu ili uz dobru umjetnu rasvjetu.
- Izbjegavajte rukovanje opremom na mokroj travi, gdje je to izvedivo.
- Uvijek budite sigurni pri hodanju po nagibima.
- Hodajte, nikada ne trčite.
- Prilikom korištenja rotirajućih strojeva s kotačima, kosite preko lica padine, nikada gore i dolje.
- Budite krajnje oprezni kod promjene smjera na padinama.
- Ne kosite na prestirmim padinama.
- Budite krajnje oprezni kod kretanja unatrag ili povlačenja kosilice za travu prema sebi.
- Zaustavite oštricu(e) ako morate nagnuti kosilicu za travu zbog prenošenja preko površine bez trave i kod transporta kosilice za travu prema i izvan površine koju ćete kositi.
- Nikada ne rukujte kosilicom za travu s postavljenom neispravnom zaštitom ili bez sigurnosnih uređaja, kao što su uređaji za otklanjanje i/ili hvatači trave.
- Ne mijenjajte postavke regulatora motora i izbjegavajte prekomjernu brzinu motora.
- Isključite sve oštrice i pogonske spojke prije pokretanja motora.
- Pokrenite motor pažljivo u skladu s uputama te sa stopalima prilično udaljenim od oštrica.
- Ne naginjite kosilicu prilikom pokretanja motora.
- Ne pokrećite motor stojeći ispred otvora za pražnjenje.
- Ne postavljajte ruke ili stopala pokraj ili ispod rotirajućih dijelova. Uvijek budite odmaknuti od otvora za pražnjenje.
- Nikada ne podižite, niti prenosite kosilicu za vrijeme rada motora.
- Zaustavite motor i iskopčajte kabel svjeće, uvjerite se da su se svi pokretni dijelovi potpuno zaustavili i ako postoji ključ, uklonite ga:
  - prije čišćenja blokada ili odčepljivanja otvora za pražnjenje;

- prije provjere, čišćenja ili rada s kosilicom za travu;
- nakon udarca u strano tijelo. Pregledajte kosilicu zbog oštećenja i načinite popravke prije ponovnog pokretanja i rada s kosilicom za travu;
- Ako kosilica počne neuobičajeno vibrirati (odmah provjerite).
- Zaustavite motor i iskopčajte kabel svjeće, uvjerite se da su se svi pokretni dijelovi potpuno zaustavili i ako postoji ključ, uklonite ga:
  - ako se morate udaljiti od kosilice;
  - prije dolijevanja goriva.
- Tijekom zaustavljanja motora smanjite postavku prigušnog leptira i ako je motor opremljen zapornim ventilom, zatvorite ga nakon prestanka košnje.
- Koristite kosilicu za travu samo za svrhu za koju je namijenjena, za rezanje i sakupljanje trave. Bilo koje druga uporaba može biti opasna, uzrokujući oštećenje stroja.

## Održavanje i skladištenje

- Sve matice, svornjake i vijke držite čvrsto pritegnutima kako bi stroj bio u sigurnom radnom stanju.
- Opremu s benzinom u spremniku nikada ne skladištite u objektu u kojem benzinske pare mogu doći u doticaj s otvorenim plamenom ili iskrom.
- Prije spremanja u bilo kakav zatvoreni prostor, pričekaite da se motor ohladi.
- Kako biste umanjili opasnost od požara, pobrinite se da na motoru, ispušnom loncu i prostoru za držanje goriva ne bude trave, lišća ili prekomjerne količine masti.
- Redovito provjeravajte hvatač trave zbog istrošenosti ili kvara.
- Zamijenite istrošene ili oštećene dijelove zbog sigurnosti.
- Ako trebate isprazniti spremnik goriva, to morate izvršiti na otvorenom.



**UPOZORENJE:** Ne dotičite oštricu koja s okreće.



**UPOZORENJE:** Gorivo dolijevajte na dobro prozračenom području sa zaustavljenim motorom.

## 3. OPIS DIJELOVA (SI. 1 i 2)

### Uključeno

- A: Ključ za svjećicu
- B: Klin za malčiranje

## 4. TEHNIČKI PODACI

| Model                              | PLM4621                     | PLM4622                      |
|------------------------------------|-----------------------------|------------------------------|
| Vrsta motora                       | Seriya B&S 650E, ReadyStart | Seriya B&S 675EX, ReadyStart |
| S vlastitim pogonom                | Da                          | Da                           |
| Zapremina motora                   | 190 cc                      | 190 cc                       |
| Širina oštrice                     | 460 mm                      | 460 mm                       |
| Br. okretaja u praznom hodu        | 2.800/min                   | 2.800/min                    |
| Zapremina spremnika za gorivo      | 1.0L                        | 1.0L                         |
| Kapacitet spremnika ulja           | 0.6L                        | 0.6L                         |
| Zapremina vreće za hvatanje trave  | 60L                         | 60L                          |
| Neto težina                        | 33,8 kg                     | 35,4 kg                      |
| Prilagođavanje visine              | 20-75 mm, 5 položaja        | 20-75 mm, 5 položaja         |
| Buka sukladno EN836                |                             |                              |
| Razina tlaka zvuka ( $L_{pA}$ ):   | 81,5 dB (A)                 | 83,1 dB (A)                  |
| Razina jakosti zvuka ( $L_{wA}$ ): | 93,1 dB (A)                 | 92,3 dB (A)                  |
| Neodređenost (K):                  | 2,41 dB (A)                 | 2,75 dB (A)                  |
| Vibracije sukladno EN836           |                             |                              |
| Emisija vibracija ( $a_h$ ):       | 6,4 m/s <sup>2</sup>        | 7,5 m/s <sup>2</sup>         |
| Neodređenost (K):                  | 1,5 m/s <sup>2</sup>        | 1,5 m/s <sup>2</sup>         |

## 5. SKLAPANJE

### 5-1 SKLAPANJE PREKLOPNE RUČKE

- Privčvrstite donje upravljače na tijelo jedinice pomoću gumba za zaključavanje, kao što je prikazano. (SI. 3, SI. 4, SI. 5, SI. 6)
- Otpustite gornje upravljače kako bi ih preklopili. Povežite gornju ručku i donju ručku s gumbom za zaključavanje. (SI. 7, SI. 8)
- Sve kabele postavite preko osovine ručice. Učvrstite ih stezaljkom oko sredine donjih ručica pomoću kablskih stezaljki tako da kabeli budu pričvršćeni na vanjskom djelu stroja. U suprotnom se kabel može uklještititi tijekom otvaranja/zatvaranja stražnjeg pokrova ili se može nategnuti uslijed preklapanja gornjeg dijela ručice. (SI. 9)

### 5-2 SKLAPANJE HVATAČA TRAVE

- Sklopanje: Podignite stražnji pokrov i objesite hvatač trave na osovinu na stražnjem dijelu kosilice. (SI. 10, SI. 11)
- Uklanjanje: Primite i podignite stražnji pokrov, uklonite hvatač trave.

### 5-3 RUČKA POKRETAČA

Pomaknite ručku pokretača s motora prema vodiilici za konopac. (SI. 12, SI. 13)

### 5-4 VISINA REZANJA

Primijenite vanjski pritisak kako biste oslobodili polugu iz okvira. Pomaknite polugu prema naprijed kako biste prilagodili visinu. (SI. 14 i pogledajte paragraf 8-9)

## 6. PODEŠAVANJE ODGOVARAJUĆE VISINE

- Izvučite gumb za zaključavanje koji pričvršćuje donju ručku, pogledajte sliku SI. 15.
- Pogledajte SI. 16, pomaknite donju ručku gore i dolje, podesite odgovarajuću visinu. Kod ovog tipa kosilice možete birati između 3 visine za podešavanje; visina 1 je najviša, (donja ručka pri tlu), a visina 3 najniža.
- Podesite na željenu visinu, potom učvrstite donju ručku pomoću gumba za zaključavanje.



**UPOZORENJE:** lijeva i desna strana kosilice trebaju se podesiti na istu visinu.

## 7. KOŠNJA S MALČIRANJEM

Što je malčiranje?

Kod malčiranja, trava se kosi u jednom radnom koraku, zatim se usitnjava i vraća na travnjak kao prirodno gnojivo.

Savjeti za košnju s malčiranjem:

- Regularno povratno rezanje s maks 2 cm tvori 6 cm do 4 cm visine trave.
- Koristite oštar nož za rezanje.
- Ne kosite mokru travu.
- Podesite najveću brzinu motora.
- Pomičite se radnom brzinom.
- Redovito čistite klin za malčiranje, unutarnju stranu kućišta i pokretnu oštricu.



**UPOZORENJE:** Isključivo dok je motor zaustavljen i rezač miruje.

- Podignite stražnji pokrov i uklonite hvatač trave;

2. Pritisnite klin za malčiranje u platformu. Blokirate klin za malčiranje uz pomoć gumba u otvoru na platformi. (SI. 17, SI. 18)
3. Ponovno spustite stražnji pokrov.

## 8. UPUTE ZA RUKOVANJE

### 8-1 PRIJE POČETKA

Opskrbite motor benzinom i uljem, kao što je opisano u zasebnom priručniku motora isporučenim s vašom kosilicom. Pažljivo pročitajte upute.



**UPOZORENJE:** Benzin je jako zapaljiv.

Gorivo spremajte u spremnike namijenjene za tu svrhu. Gorivo dolijevajte na otvorenom prije pokretanja motora i ne pušite tijekom dolijevanja ili rukovanja gorivom. Nikada ne uklanjajte čep spremnika goriva i ne dolijevajte gorivo dok motor radi ili dok je motor vruć.

Ako se benzin prolje, ne pokušavajte pokrenuti motor i odmaknite stroj s područja na kojem se gorivo prolijele te izbjegavajte korištenje bilo kakvih izvora vatre dok benzinske pare ne ispare.

Pažljivo ponovno zatvorite čepove spremnika i kante za gorivo.

Prije okretanja kosilice radi održavanja oštrice ili ispuštanja ulja uklonite gorivo iz spremnika.



**UPOZORENJE:** Nikada ne dolijevajte gorivo u zatvorenim prostorima, s uključenim motorom ili dok se motor nije hladio barem 15 minuta nakon zaustavljanja.

### 8-2 POKRETANJE MOTORA I UKLJUČIVANJE OŠTRICE

1. Jedinica je opremljena gumenom manšetom koja prekriva kraj svječiće. Pobrinite se da metalna omča na kraju kabela za svječiću (unutar gumene manšete) bude čvrsto pričvršćena preko metalnog vrha svječiće.
2. Kod pokretanja hladnog motora, polugu za brzinu motora postavite u položaj "↶". Kod pokretanja toplog motora, polugu za brzinu motora postavite u položaj "↷". (SI. 19)
3. Stojeći iza jedinice, uhvatite ručicu za zaustavljanje i držite je uz gornju ručku, kao što je prikazano na SI. 20.
4. Uхватite ručku pokretača, kao što je prikazano na SI. 20 i brzo je povucite. Nakon što se motor pokrene, polako vratite ručku u vodilicu za konopac. Oslobodite ručku za zaustavljanje kako biste zaustavili motor i oštricu.



Pokrenite motor pažljivo u skladu s uputama te sa stopalima prilično udaljenim od oštrice.



Ne naginjte kosilicu prilikom pokretanja motora. Kosilicu pokrenite na ravnoj površini bez visoke trave ili prepreka.



Ruke i stopala držite podalje od rotirajućih dijelova. Ne pokrećite motor stojeći ispred otvora za pražnjenje.

### 8-3 POSTUPCI ZA RUKOVANJE

Tijekom rukovanja, čvrsto držite ručicu za zaustavljanje s objema rukama.



**Napomena:** Kada tijekom rukovanja ispuštite ručicu za zaustavljanje, motor će se zaustaviti i tako prekinuti rad kosilice.

### 8-4 ZA ZAUSTAVLJANJE MOTORA



**OPREZ:** Oštrica se nakon zaustavljanja motora nekoliko sekundi nastavlja okretati.

1. Oslobodite ručku za zaustavljanje kako biste zaustavili motor i oštricu.
2. Iskopčajte i uzemljite kabel svječiće kao što je opisano u zasebnom priručniku motora kako biste spriječili neželjeno pokretanje dok je oprema bez nadzora.

### 8-5 PRIKLJUČAK ZA AUTOMATSKU KOŠNJU

#### Za PLM4621

Čvrsto uhvatite upravljačku ručku samostalnog pogona, kosilica za travu će se automatski pomaknuti prema naprijed brzinom od oko 1 m/s. Pustite li upravljačku ručku samostalnog pogona, kosilica za travu će se prestati kretati.

#### Za PLM4622

Kosilica je opremljena sustavom za podešavanje brzine kojim se mogu podesiti 3 brzine od 3,0 km/h do 4,5 km/h. Koraci su opisani ispod:

1. Pustite upravljačku ručku samostalnog pogona sve dok kosilica za travu više ne ide prema naprijed.
2. Odredite odgovarajuću brzinu koju želite.
3. Čvrsto uhvatite upravljačku ručku samostalnog pogona i počnite kositi. (SI. 21)



**OPREZ:** Vaša je kosilica dizajnirana za košnju normalne trave u stambenim područjima visine ne veće od 250 mm.

Nemojte pokušavati kositi neuobičajeno visoku suhu ili mokru travu (npr. pašnjak) ili hrpe suhog lišća. Na platformi kosilice za travu mogao bi nastati sloj ostataka ili bi mogao doći u doticaj s ispušnim loncem motora stvarajući time potencijalnu opasnost od požara.

### 8-6 ZA NAJBOLJE REZULTATE TIJEKOM MALČIRANJA

Očistite travnjak od otpadaka. Pobrinite se da na travnjaku ne bude kamenja, granja, žice ili drugih stranih predmeta koje bi kosilica mogla slučajno izbaciti u bilo kojem smjeru i uzrokovati teške ozljede rukovatelja i drugih osoba u blizini ili oštetiti imovinu ili druge predmete u blizini. Ne kosite mokru travu. Za učinkovito malčiranje, ne kosite mokru travu jer se takva trava lijepi za donju površinu platforme te onemogućuje pravilno malčiranje komada trave. Ne režite više od 1/3 visine trave. Preporučena visina rezanja za malčiranje je 1/3 visine trave. Brzinu kretanja treba podesiti tako da se izrezani komadići trave ravnomjerno raspodijele po travnjaku. Za posebno teško rezanje debele trave možda će biti

neophodna uporaba jedne od najnižih brzina kako bi se postiglo čisto i učinkovito rezanje s malčiranjem. Prilikom malčiranja visoke trave, travnjak možete kositi u dva prolaza tako da kod drugog rezanja spustite oštricu za još 1/3 visine, a možete je rezati i drugim smjerom, različitim nego prvi put.

Ako kod svakog prolaska preklonite rezove, očistite ćete sve preostale neodrezane dijelove koji su ostali na travnjaku. Kosilica treba uvijek raditi pod punim gasom kako biste postigli najbolje rezultate rezanja te kako bi mogla izvršiti učinkovito malčiranje. Očistite donju stranu platforme.

Obvezno očistite donju stranu platforme za rezanje nakon svake uporabe kako biste spriječili nakupljanje trave, što može onemogućiti pravilno malčiranje. Malčiranje lišća. Malčiranje lišća može također biti korisno za vaš travnjak. Prilikom malčiranja lišća, pobrinite se da lišće bude suho te da se na travnjaku ne nalazi predebeo sloj lišća. Ne čekajte da svo lišće otpadne sa stabala prije nego što počnete malčirati.



**UPOZORENJE:** Ako udarite u strani predmet, zaustavite motor. Uklonite kabel sa svjeće, temeljito pregledajte kosilicu za bilo kakve znakove oštećenja i popravite ih prije ponovnog pokretanja i rukovanja kosilicom. Prekomjerne vibracije kosilice tijekom rada znak su oštećenja. Jedinicu treba što prije pregledati i popraviti.

## 8-7 HVATAČ TRAVE

Ispraznite i očistite vreću, pobrinite se da bude čista te da se mreža prozračuje. (SI. 22)

## 8-8 PLATFORMA

Donju stranu platforme kosilice treba čistiti nakon svake uporabe kako biste spriječili nakupljanje odrezanih komadića trave, lišća, nečistoća ili drugih materijala. Ako dozvolite nakupljanje otpadaka, ubrzat će hrđu i koroziju što može onemogućiti pravilno malčiranje. Platforma se može očistiti tako da nagnete kosilicu i očistite platformu odgovarajućim alatom (pobrinite se da kabel svjeće bude iskopčan).

## 8-9 UPUTE ZA PRILAGOĐAVANJE VISINE



**OPREZ:** Nikada ne vršite bilo kakvo prilagođavanje kosilice prije zaustavljanja motora i iskopčavanja kabla svjeće.



**OPREZ:** Prije promjene visine košenja, zaustavite kosilicu i iskopčajte kabel svjeće. Vaša kosilica je opremljena središnjom polugom za prilagođavanje visine s 5 položaja visine.

1. Prije promjene visine košenja, zaustavite kosilicu i iskopčajte kabel svjeće.
2. Središnja poluga za prilagođavanje visine pruža vam 5 različitih položaja visine.
3. Kako biste promijenili visinu rezanja, stisnite polugu za prilagođavanje prema kotaču te je pomaknite prema gore ili dolje do željene visine (SI. 23). Svi kotači će biti na istoj visini rezanja.

## 9. UPUTE ZA ODRŽAVANJE

### SVJEĆICA

Koristite isključivo originalne zamjenske svjeće. Za najbolje rezultate, svječicu zamijenite nakon svakih 100 sati uporabe. (pogledajte PRIRUČNIK MOTORA)

## 10. UPUTE ZA PODMAZIVANJE



**OPREZ:** ISKOPČAJTE SVJEĆICU PRIJE SERVISIRANJA.

1. KOTAČI - laganim uljem podmažite kuglične ležajeve u svakom kotaču barem jednom u sezoni.
2. MOTOR - slijedite upute za podmazivanje u priručniku motora.
3. UPRAVLJAČKI SKLOP OŠTRICE - laganim uljem podmažite točke zakretanja ručice za upravljanje oštricom i kabel kočnice barem jednom u sezoni. Upravljački sklop oštrice se mora slobodno kretati u oba smjera.

## 11. ČIŠĆENJE



**OPREZ:** Motor ne zalijevajte vodom iz crijeva. Voda može oštetiti motor ili kontaminirati sustav s gorivom.

1. Platformu obrišite suhom krpom.
2. Donju stranu platforme operite crijevom s vodom nakon što nagnete kosilicu tako da svjeća bude okrenuta prema gore.

### 11-1 PROČISTAČ ZRAKA MOTORA



**OPREZ:** Ne dopustite da nečistoće ili prašina začepe spužvasti uložak filtra za zrak.

Element pročištača zraka motora se mora servisirati (čistiti) nakon 25 sati košenja u uobičajenim uvjetima. Spužvasti uložak se treba redovito servisirati ako se kosilica koristi u suhim prašnjavim uvjetima. (pogledajte PRIRUČNIK MOTORA)

### ZA ČIŠĆENJE FILTRA ZRAKA

1. Uklonite vijak.
2. Uklonite pokrov.
3. Element filtra operite u sapunjavoj vodi. **NE KORISTITE BENZIN!**
4. Osušite element filtra zrakom.
5. Nanesite nekoliko kapi ulja SAE30 na spužvasti filter i čvrsto ga stisnite kako biste uklonili višak ulja.
6. Ponovno montirajte filter.



**NAPOMENA:** Ako se filter pohabao, poderao, oštetio ili se ne može očistiti, zamijenite ga. (SI. 24)



## 11-2 OŠTRICA ZA REZANJE



**OPREZ:** Obvezno iskopčajte i uzemljite svječiću prije rada na oštrici za rezanje kako biste spriječili neželjeno pokretanje motora. Zaštitite ruke čvrstim rukavicama ili krpom prilikom hvatanja oštrica za rezanje.

Nagnite kosilicu kao što je opisano u zasebnom priručniku. Uklonite šesterokutni vijak i podlošku kojima su oštrica i prilagodnik oštrice pričvršćeni na koljenastom vratilu motora. Uklonite oštricu i prilagodnik s koljenastog vratila.



**UPOZORENJE:** Povremeno pregledajte prilagodnik oštrice radi napuklina, osobito ako se udarili u strani predmet. Zamijenite ako je potrebno. Za najbolje rezultate, vaša oštrica treba biti oštra. Oštrica se može ponovno naoštiti tako da je uklonite te izbrusite ili isturpajate rezni rub. Pritom pokušajte što bolje očuvati originalnu kosinu oštrice. Iznimno je važno da jednakomjerno izbrusite oba rezna ruba kako ne biste dobili neuravnoteženu oštricu. Neuravnotežena oštrica će uzrokovati prekomjerne vibracije što može oštetiti motor i kosilicu. Poslije brušenja obvezno pravilno uravnotežite oštricu. Uravnoteženost oštrice se može isprobati na odvijaju s ravnom osovinom. Uklanjajte metal s teže strane dok ne postignete uravnoteženost. **(Sl. 25)** Prije ponovne montaže oštrice i njenog prilagodnika na jedinicu, podmažite koljenasto vratilo motora i unutarnju površinu prilagodnika oštrice s laganim uljem. Montirajte prilagodnik oštrice na koljenasto vratilo tako da "zvijezda" bude okrenuta od motora. Pogledajte **Sl. 25**. Postavite oštricu tako da broj dijela bude okrenut od prilagodnika. Poravnajte podlošku preko oštrice i umetnite šesterokutni vijak. Pritegnite šesterokutni vijak momentom navedenim dolje.

## 11-3 MOMENT ZA PRITEZANJE OŠTRICE

Središnji vijak treba pritegnuti momentom od 35 - 45 Nm. Kako bi se osiguralo pravilno funkcioniranje vaše jedinice, potrebno je povremeno provjeravati SVE matice i vijke radi pravilne zategnutosti. Nakon dužeg vremena uporabe, osobito u uvjetima pjeskovitog tla, oštrica će se istrošiti i donekle izgubiti svoj izvoran oblik. Učinkovit rezanja bit će umanjena i tada oštricu treba zamijeniti. Zamijenite je isključivo zamjenskom oštricom odobrenom od strane tvornice. Moguća oštećenja uslijed neuravnoteženosti oštrice nisu odgovornost proizvođača. Kod zamjene oštrice, morate uporabiti oštricu s oznakom originalne vrste (MAKITA 263001451) (za naručivanje oštrica, molimo obratite se svom lokalnom trgovcu ili pozovite našu tvrtku).



**UPOZORENJE:** Ne dotičite oštricu koja se okreće.

## 11-4 MOTOR

Za upute za održavanje motora pogledajte zaseban priručnik motora.

Motorno ulje održavajte kao što je opisano u zasebnom priručniku motora isporučenim s vašom jedinicom.

Pažljivo pročitajte upute i pridržavajte ih se. Servisirajte filter zraka prema uputama iz zasebnog priručnika motora kod uporabe pod normalnim okolnostima. U izrazito prašnjavim uvjetima čistite filter svaki nekoliko sati. Slabe performanse motora i naplavljanje rasplinjača obično su znak da treba očistiti filter zraka.

Za servisiranje pročistača zraka, pogledajte zasebni priručnik motora isporučen s vašom jedinicom. Jednom u sezoni treba očistiti svječiću i podesiti razmak između elektroda. Preporučuje se izmjena svječića na početku svake sezone košenja; provjerite priručnik motora za pravilan tip svječiće i specifikacije razmaka među elektrodama.

Redovito čistite uređaj krpom ili četkom. Sustav za hlađenje (područje ventilatora u kućištu) mora biti čist kako bi se osigurao propisan protok zraka, neophodan za učinkovitost i trajnost motora. Obvezno uklonite svu travu, nečistoće i zapaljive otpatke iz područja oko ispušnog lonca.

## 12. UPUTE ZA SKLADIŠTENJE (IZVAN SEZONE)

Za pripremanje kosilice za skladištenje, potrebno je poduzeti sljedeće mjere.

1. Nakon posljednje sezone košenja, ostavite kosilicu neka radi dok se ne isprazni spremnik goriva.
2. Temeljito očistite i podmažite kosilicu, kao što je opisano u uputama za podmazivanje.
3. Za upute za skladištenje motora pogledajte zaseban priručnik motora.
4. Oštricu za rezanje lagano premažite mašću kako biste spriječili hrđu.
5. Kosilicu skladištite na suhom i čistom mjestu.



### NAPOMENA:

- Prilikom spremanja bilo koje vrste pogonske opreme u prostoru bez prozračivanja ili hali za skladištenje materijala;
- Opremu treba zaštititi od hrđe. Premažite opremu laganim uljem ili silikonom, osobito kabele i pokretne dijelove.
- Pazite da ne savijete ili izvijete kabele.
- Ako se konopac pokretača otkaci s vodilice konopca na ručici, iskopčajte i uzemljite kabel svječiće, pritisnite ručku za upravljanje oštricom i polako izvucite konopac pokretača iz motora. Navucite konopac pokretača preko vijka vodilice konopca na ručici.

## 13. RJEŠAVANJE PROBLEMA

| PROBLEM                                | MOGUĆI UZROK   | KOREKTIVNI POSTUPAK  |
|--|--|--|
| Motor se ne pokreće.                   | Čok prigušnog leptira se ne nalazi u odgovarajućem položaju za trenutne uvjete rada. | Pomaknite čok prigušnog leptira u pravilan položaj.  |
|  | Spremnik goriva je prazan.   | Napunite spremnik gorivom: pogledajte PRIRUČNIK MOTORA.  |
|  | Element pročištača zraka je onečišćen.   | Očistite element filtra zraka: pogledajte PRIRUČNIK MOTORA.  |
|  | Svjećica se odvila.  | Pritegnite svjećicu s 25-30 Nm.  |
|  | Kabel svjećice je olabavio ili se odvojio od svjećice.                               | Montirajte kabel svjećice na svjećicu.   |
|  | Razmak među elektrodama svjećice je nepravilan.                                      | Postavite razmak među elektrodama na 0,7 do 0,8 mm.  |
|  | Svjećica je neispravna.  | Montirajte novu svjećicu s pravilnim razmakom među elektrodama: pogledajte PRIRUČNIK MOTORA.   |
|  | Rasplinjač je preplavljen gorivom.   | Uklonite element pročištača zraka i povlačite konopac pokretača dok se rasplinjač ne isprazni i ponovno montirajte element filtra zraka. |
| Motor se teško pokreće ili gubi snagu. | Modul paljenja je pokvaren.  | Kontaktirajte ovlašteni Makita servisni centar.  |
|  | Nečistoća ili prljavština u spremniku za gorivo ili je gorivo izvjetrilo.            | Ispraznite gorivo i očistite spremnik. Napunite spremnik čistim i svježim gorivom.   |
|  | Otvor za ventilaciju u čepu spremnika goriva se začepio.                             | Očistite ili zamijenite čep spremnika goriva.  |
| Motor radi nestalno.                   | Element pročištača zraka je zasićen.   | Očistite element filtra zraka.   |
|  | Svjećica je pokvarena.   | Montirajte novu svjećicu s pravilnim razmakom među elektrodama: pogledajte PRIRUČNIK MOTORA.   |
|  | Razmak među elektrodama svjećice je nepravilan.                                      | Postavite razmak među elektrodama na 0,7 do 0,8 mm.  |
| Motor loše radi u praznom hodu.        | Element pročištača zraka je onečišćen.   | Očistite element pročištača zraka: pogledajte PRIRUČNIK MOTORA.  |
|  | Otvori za prozračivanje u kućištu motora su začepljeni.                              | Odstranite otpatke iz otvora.  |
|  | Rashladne rešetke i zračni kanali ispod kućišta puhala motora su začepljeni.         | Odstranite otpatke iz rashladnih rešetki i zračnih kanala.   |
| Motor štuca pri visokim brzinama.      | Razmak među elektrodama svjećice je premalen.  | Postavite razmak među elektrodama na 0,7 do 0,8 mm.  |
| Motor se pregrijava.                   | Ograničen je protok zraka za hlađenje.   | Uklonite otpatke iz otvora u kućištu, kućištu puhala i zračnim kanalima.   |
|  | Neodgovarajuća svjećica.   | Montirajte svjećicu tipa RJ19LMC i rashladne rešetke na motor.   |
| Kosilica prekomjerno vibrira.          | Sklop za rezanje se olabavio.  | Pritegnite oštricu.  |
|  | Sklop za rezanje nije uravnotežen.   | Uravnotežite oštricu.  |

## 14. ZAŠTITA OKOLIŠA

Ako trebate zamijeniti vaš stroj nakon dugotrajne uporabe, ne odlažite ga zajedno s kućanskim otpadom, već ga odstranite na način siguran za okoliš.

**Samo za europske zemlje**

**EC Izjava o sukladnosti**

**Mi, Makita Corporation, kao odgovorni proizvođač izjavljujemo da su slijedeći Makita strojevi:**

Oznaka stroja: Benzinska kosilica za travu

Model br./ Vrsta: PLM4621, PLM4622

Specifikacije: Vidi „4. Tehnički podaci“

serijski proizvedeni i

**U skladnosti sa sljedećim europskim smjericama:**

2006/42/EC, 2004/108/EC,  
2000/14/EC i 2005/88/EC

I proizvedeni su u skladu sa sljedećim standardima ili  
standardiziranim dokumentima:

EN836, EN ISO14982

Tehničku dokumentaciju čuva naš ovlašteni predstavnik u  
Europi koji je:

Makita International Europe d.o.o.,  
Michigan, Drive, Tongwell,  
Milton Keynes, MK15 8JD, Engleska

Postupak ocjenjivanja sukladnosti koje zahtijeva  
Smjernica 2000/14/EZ je u skladu sa Aneksom VI.

Prijavljeno tijelo:

TÜV SÜD Industrie Service GmbH  
Westendstraße 199, D-80686 München  
Identifikacijski broj: 0036

Model PLM4621

Izmjerena razina jačine zvuka: 93,1 dB  
Zajamčena razina jačine zvuka: 96 dB

Model PLM4622

Izmjerena razina jačine zvuka: 92,3 dB  
Zajamčena razina jačine zvuka: 96 dB

11. 11. 2011



Tomoyasu Kato  
Direktor  
Makita Corporation  
3-11-8, Sumiyoshi-cho,  
Anjo, Aichi, JAPAN

Splošna razlaga

- |                                      |                                |                                   |
|--------------------------------------|--------------------------------|-----------------------------------|
| 1. Zgornja ročica                    | 6. Vodilo vrvi                 | 11. Pokrov rezervoarja za gorivo  |
| 2. Ročaj za zaustavitev              | 7. Koš za travo                | 12. Pokrov rezervoarja za olje    |
| 3. Ročaj za lastni pogon             | 8. Ročica za nastavitev višine | 13. Sponka za kabel               |
| 4. Ročica za nadzor hitrosti motorja | 9. Ohišje                      | 14. Vijak za fiksiranje           |
| 5. Ročica za zagon                   | 10. Vžigalna svečka            | 15. Ročica za nastavitev hitrosti |

**OPOZORILO**

Za vašo varnost, preberite ta priročnik preden poskušate upravljati vašo novo enoto. Neupoštevanje navodil lahko vodi do težkih osebnih poškodb. Nekaj trenutkov porabite, da se spoznate s kosilnico pred vsako uporabo.



Sprostite pretični ročaj, da ustavite motor.



Povlecite ročaj za lastni pogon za premikanje naprej.

**1. SIMBOLI NA IZDELKU**

Preberite uporabniški priročnik.



Ne dovolite blizu nepooblaščenim osebam.



Da bi se izognili poškodbam, pazite pri delu s kosilnico na noge in roke.



Strupeni hlapi; ne uporabljajte v zaprtih prostorih.



Gorivo je vnetljivo. Hranite izven dosega ognja. Ne dodajajte goriva, ko je stroj v teku.



Iz varnostnih razlogov med košnjo uporabite zaščitna očala in čepke za ušesa.



Preden se lotite popravila kosilnice, odstranite vžigalno svečko in sledite navodilom za uporabo.



Pozor: Motor je vroč.

**2. SPLOŠNA VARNOSTNA PRAVILA**

**OPOZORILO:** Da bi se izognili telesnim poškodbam in/ali okvari stroja, pri uporabi strojev na bencin upoštevajte osnovna varnostna priporočila, vključno s sledečimi. Preberite vsa navodila pred upravljanjem tega izdelka in hranite ta navodila za prihodnjo uporabo.



**OPOZORILO:** Kosilnica med delovanjem proizvaja elektromagnetno polje. V nekaterih primerih lahko polje vpliva na aktivne ali pasivne medicinske vsadke. Če želite zmanjšati tveganje za težje ali smrtne poškodbe, priporočamo, da se osebe z medicinskimi vsadki pred uporabo kosilnice posvetujejo s svojim zdravnikom in proizvajalcem medicinskega vsadka.

**Usposabljanje**

- Pozorno preberite navodila. Bodite seznanjeni s funkcijami za upravljanje in z ustrezno uporabo dodatne opreme.
- Nikoli ne dovolite uporabe kosilnice otrokom ali osebam, ki niso seznanjene s temi navodili. Lokalni predpisi lahko omejijo starost uporabnika naprave.
- Nikoli ne kosite v bližini ljudi, še posebej otrok ali hišnih ljubljencev.
- Zapomnite si, da je upravitelj ali uporabnik odgovoren za nesreče ali nevarnosti, ki se zgodijo drugim ljudem ali njihovi lastnini.

**Priprava**

- Med košenjem vedno nosite primerno obutev in dolge hlače. Naprave ne uporabljajte, ko ste bos ali nosite odprte sandale.
- Temeljito pregledjte območje, kjer se bo naprava uporabljala in odstranite vse predmete, ki jih lahko naprava vrže v zrak.
- **OPOZORILO-** Bencin je visoko vnetljiv.
  - hranite gorivo v zbiralnikih, posebej izdelanih za ta namen;

- gorivo dolivajte le na prostem; med dolivanjem goriva ne kadite;
- dodajte gorivo pred zagonom motorja. Ko je kosilnica v teku ali pa je še vroča, ne smete nikoli odstraniti pokrova rezervoarja ali dolivati goriva;
- če pride do razlitja goriva, kosilnico umaknite na suho mesto in je ne poskušajte zagnati na kraju razlitja; dokler hlapi povsem ne izginejo bodite pozorni, da ne pride do stika z virom vžiga;
- pokrove pravilno namestite nazaj.
- Zamenjajte okvarjene glušnike.
- Pred uporabo vedno preglejte napravo, da vidite ali so rezila, vijaki rezil in montažni deli rezil obrabljeni ali poškodovani. Ob zamenjavi zamenjajte vsa obrabljena rezila in vijake, da ohranite ravnotežje.

## Upravljanje

- Ne uporabljajte stroja v zaprtih prostorih, kjer se lahko kopiči nadvse nevaren ogljikov monoksid.
- Kosite samo podnevi ali ob dobri umetni svetlobi.
- Izogibajte se uporabljanju naprave na mokri travi, kjer drsi.
- Vedno bodite previdni, kadar stopate po pobočjih.
- Hodite, ne tecite.
- Za vrteče se naprave na kolesih; kosite prečno po pobočju, nikoli gor in dol.
- Kadar na pobočjih menjujete smer, bodite izjemno previdni.
- Ne kosite pri izredno nagnjenih pobočjih.
- Bodite izjemno previdni kadar greste s kosilnico vzvratno ali jo vlečete proti sebi.
- Ustavite rezilo(a), če morate kosilnico nagniti, ko se pomikate po drugih površinah in na travi in, ko kosilnico vodite do in z območja, ki ga želite pokositi.
- Kosilnice ne uporabljajte z okvarjenimi varovali ali brez varnostnih naprav, kot npr. deflektorjev in/ali nameščenega koša za travo.
- Ne spreminjajte regulacij motorja in pazite, da ne pride do preobremenitve motorja.
- Pred zagonom izklopite vse priključke prenosa na rezila in kolesa.
- Pazljivo, v skladu z navodili zaženite stroj; pri tem bodite pozorni, da so vaše noge in roke dovolj oddaljene od rezila oz. rezil.
- Ob zagonu kosilnice ne nagibajte.
- Motorja ne zaganjajte, ko stojite pred koritom za izločanje.
- Ne postavljajte roke ali noge blizu ali pod vrteče dele. Vedno bodite odmaknjeni od odprtine za izpust.
- Nikoli ne dvigujte ali nosite kosilnice, ko teče motor.
- Ugasnite motor in odklopite kabel vžigalne svečke, prepričajte se, da so se vsi premični sestavni deli kosilnice ustavili, in odstranite ključ:
  - preden odpravite ovire ali očistite korito;
  - pred pregledom, čiščenjem ali delom na kosilnici;
  - po dotiku tujega predmeta. Preglejte kosilnico glede poškodb in izvedite popravila preden ponovno zaženete in uporabljate kosilnico;
  - če začne kosilnica neobičajno vibrirati (takoj preglejte).
- Ugasnite motor in odklopite kabel vžigalne svečke, prepričajte se, da so se vsi premični sestavni deli kosilnice ustavili, in odstranite ključ:

- kadarkoli zapustite kosilnico;
- pred točenjem goriva.
- Med izklopom motorja zmanjšajte dovod goriva; če je kosilnica opremljena z ventilom za izklop, ustavite dovod goriva, ko končate s košnjo.
- Uporabite kosilnico samo za namen, za katerega je bila oblikovana, za rezanje in zbiranje trave. Katerakoli druga uporaba bi lahko bila nevarna in povzročila poškodbe na stroju.

## Vzdrževanje in shranjevanje

- Vse matice, čepi in vijaki naj bodo trdno priviti, da zagotovite varno delovanje naprave.
- Nikoli ne shranjujte kosilnice s polnim rezervoarjem v prostorih, kjer lahko hlapi pridejo v stik z ognjem ali drugim virom vžiga.
- Preden kosilnico shranite v zaprt prostor, počakajte, da se motor ohladi.
- Da bi zmanjšali nevarnosti požara, poskrbite, da na motorju, glušniku, akumulatorju in rezervoarju za gorivo ni ostankov trave, listja in maščobe.
- Redno pregledujte koš za travo glede obrablenosti ali okvar.
- Zaradi varnosti zamenjajte obrabljene ali poškodovane dele.
- V primeru, da je potrebno izprazniti rezervoar, to storite na prostem.



**OPOZORILO:** Ne dotikajte se vrtečega rezila.



**OPOZORILO:** Ponovno natočite gorivo v dobro prezračenem območju z ustavljenim motorjem.

## 3. OPIS DELOV (SI. 1 in 2)

### Vključno

- A: Ključ za vžigalno svečko
- B: Nastavek za mulčenje

## 4. TEHNIČNI PODATKI

| Model                              | PLM4621                     | PLM4622                      |
|------------------------------------|-----------------------------|------------------------------|
| Vrsta motorja                      | B&S 650E serija, ReadyStart | B&S 675EX serija, ReadyStart |
| Samohodna                          | Da                          | Da                           |
| Delovna prostornina motorja        | 190 cc                      | 190 cc                       |
| Širina rezila                      | 460 mm                      | 460 mm                       |
| Prosti tek                         | 2.800/min                   | 2.800/min                    |
| Kapaciteta rezervoarja za gorivo   | 1,0L                        | 1,0L                         |
| Prostornina oljnega rezervoarja    | 0,6L                        | 0,6L                         |
| Kapaciteta koša za travo           | 60L                         | 60L                          |
| Neto teža                          | 33,8 kg                     | 35,4 kg                      |
| Nastavitev višine                  | 20-75 mm, 5 nastavitvev     | 20-75 mm, 5 nastavitvev      |
| Hrup v skladu z EN836              |                             |                              |
| Raven zvočnega tlaka ( $L_{pA}$ ): | 81,5 dB (A)                 | 83,1 dB (A)                  |
| Raven zvočne moči ( $L_{wA}$ ):    | 93,1 dB (A)                 | 92,3 dB (A)                  |
| Negotovost (K):                    | 2,41 dB (A)                 | 2,75 dB (A)                  |
| Vibracije v skladu z EN836         |                             |                              |
| Oddajanje vibracij ( $a_h$ ):      | 6,4 m/s <sup>2</sup>        | 7,5 m/s <sup>2</sup>         |
| Negotovost (K):                    | 1,5 m/s <sup>2</sup>        | 1,5 m/s <sup>2</sup>         |

## 5. MONTAŽA

### 5-1 MONTAŽA ZLOŽLJIVEGA ROČAJA

- Fiksirajte spodnji ročaj na kosilnico z vijaki za fiksiranje, kot je prikazano. (SI. 3, SI. 4, SI. 5, SI. 6)
- Zgornji del ročaja sprostite in ga zložite. Zgornji in spodnji del ročaja povežite z zaskočno ročico. (SI. 7, SI. 8)
- Namestite vse kable v zareze ročajev. S sponkami jih pripnite na sredino spodnjih ročajev, tako da so kabli fiksirani z zunanje strani kosilnice. V nasprotnem primeru lahko kable priščipnete pri odpiranju/zapiranju zadnjega pokrova ali pa jih izpulite pri stisku zgornjega ročaja. (SI. 9)

### 5-2 MONTAŽA KOŠA ZA TRAVO

- Za pritrditev: Dvignite zadnji pokrov in namestite koš za travo na držaj, ki se nahaja na zadnjem delu kosilnice. (SI. 10, SI. 11)
- Za odstranitev: Primito pokrov zadaj in ga dvignite ter odstranite koš za travo.

### 5-3 ROČICA ZA ZAGON

Potegnite ročico za zagon od motorja proti vodilu vrvi. (SI. 12, SI. 13)

### 5-4 VIŠINA REZA

S pritiskom sprostite ročico iz držala. Premaknite ročico naprej ali nazaj, da nastavite višino. (SI. 14 in glejte klavzulo 8-9)

## 6. NASTAVLJANJE USTREZNE VIŠINE

- Izvlcite zaskočno ročico, ki fiksira spodnji ročaj, glejte SI. 15.

- Glejte SI. 16, premaknite spodnji ročaj gor ali dol ter nastavite želeno višino.  
Pri tem modelu kosilnice lahko izbirate med tremi položaji za višino; višina 1 je najvišja (spodnja ročka pri tleh), višina 3 pa je najnižja.
- Nastavite želeno višino ter fiksirajte spodnji ročaj z zaskočno ročico.



**OPOZORILO:** leva in desna stran spodnjega ročaja se morata nastaviti na enake višini.

## 7. KOSILNICA ZA MULČENJE

Kaj je mulčenje?

Pri mulčenju kosilnica v enem delovnem koraku travo pokosi, nakar jo drobno zmelje in izvrže na trato, kjer služi kot naravno gnojilo.

Nasveti za mulčenje:

- Redno košenje za maksimalno 2 cm zagotavlja zelenico visoko od 6 cm do 4 cm.
- Uporabite oster rezalni nož.
- Ne kosite mokre trave.
- Nastavite maks. hitrost motorja.
- Premikajte se s počasnimi koraki.
- Redno čistite zagozdo za mulčenje, notranjost ohišja in premikajoče rezilo.



**OPOZORILO:** Samo z izklopljenim motorjem in mirujočim rezilom.

- Dvignite zadnji pokrov in odstranite koš za travo;
- Zagozdo za mulčenje potisnite v ohišje. Z gumbom jo zaklenite v odprtini v ohišju. (SI. 17, SI. 18)
- Ponovno spustite zadnji pokrov.

## 8. NAVODILA ZA UPRAVLJANJE

### 8-1 PRED ZAČETKOM

V motor nalijte bencin in olje, kot vam narekuje ločeni priročnik za motor, ki je priložen vaši kosilnici. Pozorno preberite navodila.



**OPOZORILO:** Bencin je visoko vnetljiv.

Gorivo hranite v zbiralnikih, posebej izdelanih za ta namen.

Gorivo nalivajte samo na prostem, pred zagonom motorja in ne kadite, medtem ko nalivate ali ravnate z gorivom. Ko je kosilnica v teku ali pa je še vroča, ne smete nikoli odstraniti pokrova rezervoarja ali dolivati goriva.

Če pride do razlitja goriva, kosilnico umaknite na suho mesto in je ne poskušajte zagnati na kraju razlitja; dokler hlapi povsem ne izginejo bodite pozorni, da ne pride do stika z virom vžiga.

Pokrove pravilno namestite nazaj.

Preden nagnete kosilnico, da bi vzdrževali rezilo ali izpustili olje, iztočite gorivo iz rezervoarja.



**OPOZORILO:** Goriva nikoli ne nalivajte v zaprtih prostorih, z vklopljenim motorjem ali dokler se motor ni hladil vsaj 15 minut po končanem delovanju.

### 8-2 ZAGON MOTORJA IN REZILA

1. Enota je opremljena z gumijastim mehonom na koncu vžigalne svečke. Prepričajte se, da je kovinska zanka na koncu žice vžigalne svečke (znotraj gumijastega meha) varno nameščena preko kovinske konice na vžigalni svečki.
2. Ko zaženete hladen motor, obrnite ročico za hitrost motorja v položaj "☁". Ko zaženete vroč motor, obrnite ročico za hitrost motorja v položaj "☁". (Sl. 19)

3. Stojte za enoto, primite za ročico za zaustavitev in jo držite proti zgornjemu ročaju, kot prikazano v **Sl. 20**.
4. Primite za ročico za zagon, kot prikazano v **Sl. 20**, in jo na hitro povlecite navzgor. Ko se motor zažene pustite, da se vrne k vodilnemu zatiču vrvice. Spustite ročico za zaustavitev, da zaustavite motor in rezilo.

Motor zaženite pazljivo, v skladu z navodili; pri tem bodite pozorni, da so vaše noge in roke dovolj oddaljene od rezila.



Ob zagonu kosilnice ne nagibajte. Kosilnico zaženite na ravni površini, na kateri ni visoke trave ali ovir.



Roke in noge držite stran od vrtečih delov. Motorja ne zaganjajte, ko stojite pred koritom za izločanje.



### 8-3 POSTOPKI UPRAVLJANJA

Med upravljanjem trdno držite z obema rokama ročico za zaustavitev.



**Opomba:** Ko med upravljanjem spustite ročico za zaustavitev, se ustavi motor in s tem tudi kosilnica.

## 8-4 ZA ZAUSTAVITEV MOTORJA



**POZOR:** Rezilo se še naprej vrti nekaj sekund, po tem, ko je motor izklopljen.

1. Spustite ročico za zaustavitev, da zaustavite motor in rezilo.
2. Odklopite in ozemljite žico vžigalne svečke kot opisano v ločenem priročniku za motor, da preprečite nenameren vklop kosilnice, ko ta ni nadzorovana.

## 8-5 PRIKLJUČITEV ZA SAMODEJNI POGON

### Za PLM4621

Povlecite ročaj za lastni pogon in se bo kosilnica samodejno premikala naprej z hitrostjo od pribl. 1 m/s, spustite ročaj za lastni pogon in se bo kosilnica ustavila.

### Za PLM4622

Kosilnica je opremljena s sistemom za nastavitve hitrosti ki lahko nastavi 3 ravni hitrosti od 3,0 km/h do 4,5 km/h. Postopajte, kot sledi:

1. Sprostite ročaj za lastni pogon dokler se kosilnice ne preneha premikati naprej.
2. Nastavite želeno hitrost.
3. Povlecite ročaj za lastni pogon za premikanje naprej. (Sl. 21)



**POZOR:** Vaša kosilnica je za košenje navadne mestne trave, ki ni višja od 250 mm.

Ne poskušajte kositi zelo visoke suhe ali mokre trave (npr. pašniki) ali kupe suhega listja. Na ohišju kosilnice se lahko nabere umazanija ali se lahko dotakne izpuha motorja in tako povzroči nevarnost požara.

## 8-6 ZA NAJBOLJŠE REZULATE PRI MULČENJU

Očistite trato ostankov. Prepričajte se, da na trati ni kamnov, palic ali drugih tujkov, ki bi jih lahko kosilnica nenamerno vrgla kamokoli v zrak in s tem povzročila hude poškodbe upravitelja ali drugih, kakor tudi poškodovala lastnino in predmete v bližini. Ne režite mokre trave. Za učinkovito mulčenje ne režite mokre trave, saj se ta rada prilepi na spodnjo stran ohišja kosilnice in s tem ovira ustrezno mulčenje pokošene trave. Ne režite več kot 1/3 dolžine trave.

Priporočeni rez za mulčenje je 1/3 dolžine trave. Osnovna hitrost mora biti prilagojena, da se lahko pokošena trava razporedi enakomerno po trati. Za močno rezanje v gosti travi bo mogoče potrebno uporabiti počasno hitrost, da bo rez za mulčenje čist. Med mulčenjem dolge trave boste verjetno morali travo rezati dvakrat, za drugi rez pa boste verjetno morali rezilo spustiti za dodatno 1/3 dolžine in rezati po drugačnem vzorcu kot prvokrat.

Če boste rezje prekrivali enega z drugim bo to pomagalo pri odstranjevanju preostale pokošene trave na trati.

Kosilnica naj vedno deluje ob polnem plinu, da boste dobili najboljši rez in najučinkovitejše mulčenje. Čistite spodnjo stran ohišja.

Po vsaki uporabi morate očistiti spodnjo stran ohišja, da preprečite kopičenje trave, ki lahko prepreči ustrezno mulčenje. Mulčenje listja. Mulčenje listja je lahko prav tako koristno za vašo trato. Ko mulčite listje, se

prepričajte, da je suho in ni pregosto razporejeno po trati. Ne čakajte na vso listje, da bo padlo z dreves.



**OPOZORILO:** Če naletite na tujek, zaustavite motor. Odstranite žico z vžigalne svečke, temeljito preglejte kosilnico glede poškodb in popravite škodo preden ponovno zaženete in upravljate kosilnico. Prekomerne vibracije kosilnice med upravljanjem je oznaka poškodbe. Enota naj se takoj pregleda in popravi.

## 8-7 KOŠ ZA TRAVO

Izpraznite in očistite vrečo, prepričajte se da je čista in da je njeno pletivo prezračeno. (SI. 22)

## 8-8 OHIŠJE

Spodnja stran ohišja kosilnice naj bo očiščena po vsaki uporabi, da preprečite kopičenje pokošene trave, listov, umazanije in drugega materiala. Če pustite, da se ti ostanki kopičijo, bodo povzročili nastajanje rje in korozije, kar lahko prepreči ustrezno mulčenje. Ohišje lahko očistite tako, da nagnete kosilnico in strgate ostanke z ustreznim orodjem (prepričajte se, da je žica vžigalne svečke odklopljena).

## 8-9 NAVODILA ZA NASTAVITEV VIŠINE



**POZOR:** Nikoli ne spreminjajte kosilnice brez, da bi najprej zaustavili motor in odklopili žico vžigalne svečke.



**POZOR:** Preden spreminjate višino košnje, zaustavite kosilnico in odklopite žico vžigalne svečke. Vaša kosilnica je opremljena z ročico za nastavitev osrednje višine, ki ponuja 5 višin.

1. Ustavite kosilnico in odklopite žico vžigalne svečke, preden spreminjate višino rezanja.
2. Ročica za nastavitev osrednje višine vam ponuja 5 različnih višin.
3. Da bi spremenili višino reza, potisnite ročico za nastavitev proti kolesu, in jo premikajte gor in dol, da izberete višino (SI. 23). Vsa kolesa bodo na isti višini reza.

## 9. NAVODILA ZA VZDRŽEVANJE

### VŽIGALNA SVEČKA

Uporabite le originalno nadomestno vžigalno svečko. Za najboljše rezultate, zamenjajte vžigalno svečko vsakih 100 ur uporabe. (glejte PRIROČNIK ZA LASTNIKA MOTORJA)

## 10. NAVODILA ZA MAZANJE



**POZOR:** PRED SERVISIRANJEM IZKLJUČITE VŽIGALNO SVEČKO.

1. KOLESA-Namažite kroglične ležaje vsakega kolesa z lahkim oljem vsaj enkrat na sezono.
2. MOTOR-Glejte priročnik za motor glede navodil za mazanje.

3. UPRAVLJANJE REZILA-Namažite vrtljive točke na ročici za upravljanje rezila in zavorni kabel z lahkim oljem vsaj enkrat na sezono. Upravljanje rezila mora delovati prosto v obe smeri.

## 11. ČIŠČENJE



**POZOR:** Ne polivajte motorja z vodo. Voda lahko poškoduje motor ali kontaminira gorivni sistem.

1. Ohišje obrišite s suho krpo.
2. Nagnite kosilnico tako, da je vžigalna svečka v zraku in očistite spodnji del ohišja s tekočo vodo.

### 11-1 ČISTILEC ZRAKA V MOTORJU



**POZOR:** Ne dovolite, da bi zračni filter iz pene zamašila umazanija ali prah.

Čistilec zraka v motorju mora biti servisiran (očiščen) po 25 urah običajne košnje. Element iz pene mora biti redno servisiran, če se kosilnica uporablja v prašnatih pogojih. (glejte PRIROČNIK ZA LASTNIKA MOTORJA)

### Za ČIŠČENJE ZRAČNEGA FILTRA

1. Odstranite vijak.
2. Odstranite pokrov.
3. Umijte filter v milnici. **NE UPORABLJAJTE BENCINA!**
4. Filter posušite na zraku.
5. Nanesite nekoliko kapljic olja SAE30 na filter iz pene in ga močno stisnite, da odteče odvečno olje.
6. Ponovno namestite filter.



**OPOMBA:** Če je filter scefiran, raztrgan, poškodovan ali ga ne morete očistiti, ga zamenjajte. (SI. 24)

### 11-2 REZILO



**POZOR:** Prepričajte se, da ste odklopili in ozemljili žico vžigalne svečke preden delate na rezilu, da preprečite nenamerni vklop motorja. Roke zaščitite z uporabo močnih rokavic ali krpe, da primete rezilo. Nagnite kosilnico kot je to navedeno v ločenem priročniku za motor. Odstranite šestkotni vijak in podložko, ki pritrjuje rezilo in adapter rezila na ročično gred motorja. Odstranite rezilo in adapter z ročične gredi.



**OPOZORILO:** Redno pregledujte adapter rezila glede razpok, še posebej če naletite na tujek. Po potrebi ga zamenjajte.

Vaše rezilo naj bo ostro, za najboljše rezultate. Rezilo lahko ponovno naostrite tako, da ga odstranite in ali nabrusite ali splite rezalni rob, in sicer tako, da se čimbolj držite originalne poševnosti roba. Zelo pomembno je, da vsak rezalni rob enako nabrusite, da se prepreči neuravnoteženost rezila. Neustrezna uravnoteženost rezila bo vodila do prekomerne vibracije, kar lahko



poškoduje motor in kosilnico. Bodite prepričani, da je rezilo po brušenju uravnoteženo. Rezilo lahko preverite glede uravnoteženosti tako, da pustite rezilo nihati na okroglem ročaju izvijača. Odstranite odvečno kovino na težji strani, dokler rezilo ne niha uravnoteženo. **(SI. 25)** Preden ponovno namestite rezilo in adapter rezila na enoto, namažite ročni gred motorja in notranjo površino adapterja rezila z lahkim oljem. Montirajte adapter rezila na ročni gred z gvezdoh stran od motorja. Glejte **SI. 25**. Postavite rezilo s številko dela, stran od adapterja. Namestite podločko na rezilo in vstavite šestkotni vijak. Privijte šestkotni vijak do navora, ki je naveden spodaj.

### 11-3 MONTAŽNI NAVOR REZILA

Osrednji vijak mora biti privit na navor 35 - 45 Nm. Da zagotovite varno delovanje vaše enote. VSE matice in vijaki morajo biti redno pregledani glede pravilnega tesnjenja. Po daljši uporabi, še posebej na peščenih tleh, se bo rezilo obrabilo in izgubilo nekoliko svoje originalne oblike. Učinkovito rezanje bo zmanjšano zato naj bo rezilo zamenjano.

Zamenjajte le z dovoljenim tovarniškimi nadomestnim rezilom. Proizvajalec ne odgovarja za možne poškodbe zaradi neuravnoteženosti rezila.

Ko zamenjate rezilo, morate uporabiti originalni model, ki je naveden na rezilu (MAKITA 263001451) (za naročilo rezila, prosimo kontaktirajte vašega lokalnega prodajalca ali pokličite naše podjetje).



**OPOZORILO:** Ne dotikajte se vrtečega rezila.

### 11-4 MOTOR

Glejte ločeni priročnik za motor glede vzdrževanja motorja.

Motorno olje vzdržujte kot je to navedeno v ločenem priročniku za motor, ki je priložen vaši napravi. Preberite in previdno sledite navodilom.

Čistilec zraka servisirajte pod običajnimi pogoji kot je to navedeno v ločenem priročniku za motor. Očistite vsakih nekaj ur po uporabi v izredno prašnih pogojih. Slabo delovanje motorja in iztekanje ponavadi nakazujeta na potrebno servisiranje čistilca zraka.

Za servisiranje čistilca zraka, glejte ločeni priročnik za motor, ki je priložen vaši napravi.

Vžigalna svečka naj bo očiščena in razdalja naj bo nastavljena enkrat na sezono. Zamenjava vžigalne svečke se priporoča ob začetku vsake sezone košnje; glejte ločeni priročnik za motor glede pravilne vrste svečke in specifikacije razdalje.

Motor očistite redno s krpo ali krtačo. Hladilni sistem (območje ohišja ventilatorja) naj bo čist, da se omogoča ustrezno kroženje zraka, ki je bistveno za zmogljivost in dolgo življenjsko dobo motorja. Prepričajte se, da ste odstranili vso travo, umazanijo in vnetljive ostanke iz območja dušilca.

## 12. NAVODILA ZA SHRANJEVANJE (IZVEN SEZONE)

Naslednji koraki morajo biti upoštevani, da pripravite kosilnico za shranjevanje.

1. Ob zadnjem rezanju trave pustite, da se rezervoar z gorivom izprazni.
2. Temeljito očistite in namažite kosilnico kot je to opisano v navodilih za mazanje.
3. Glejte priročnik za motor glede pravih navodil za shranjevanje motorja.
4. Na rahlo premažite rezilo kosilnice z mastjo za šasijo, da preprečite rjavenje.
5. Hranite kosilnico na suhem, čistem območju.



**OPOMBA:**

- Ko shranjujete katerokoli vrsto električne opreme v neprezačen skladišču ali skladišču za materiale;
- Morate zaščititi opremo pred rjo. Z lahkim oljem ali silikonom premažite opremo, še posebej kable in premikajoče dele.
- Bodite previdni, da ne prepognete ali zavozlate kable.
- Če se vrstica za vžig loči od vodila na ročici, odklopite in ozemljite žico vžigalne svečke, stisnite ročico za upravljanje rezila in počasi izvlecite vrstico za vžig iz motorja. Pustite, da vrstica za vžig spolzi v vodilni zatič na ročici.

## 13. ODPRAVLJANJE TEŽAV

| TEŽAVA                                  | MOREBITNI VZROK  | ODPRAVILO NAPAKE  |
|---|--|---|
| Motor se ne zažene.                     | Zagozda ročice za plin ni v pravilnem položaju za trenutne pogoje.             | Premaknite zagozdo ročice za plin v pravilni položaj.   |
|   | Rezervoar za gorivo je prazen.   | Natočite rezervoar z gorivom: glejte PRIROČNIK ZA LASTNIKA MOTORJA.   |
|   | Čistilec zraka je umazan.  | Očistite čistilec zraka: glejte PRIROČNIK ZA LASTNIKA MOTORJA.  |
|   | Odvijte vžigalno svečko.   | Privijte vžigalno svečko na 25 - 30 Nm.   |
|   | Zrahljana ali odklopljena žica vžigalne svečke.                                | Namestite žico vžigalne svečke na vžigalno svečko.  |
|   | Nepravilna razdalja vžigalne svečke.   | Nastavite razdaljo elektrod od 0,7 do 0,8 mm.   |
|   | Vžigalna svečka je okvarjena.  | Namestite novo svečko s pravilno razdaljo: glejte PRIROČNIK ZA LASTNIKA MOTORJA.  |
|   | Uplinjač je poplavljen z gorivom.  | Odstranite čistilec zraka in večkrat povlecite vrvico za vžig, dokler se uplinjač ne očisti sam in nato ponovno namestite čistilec zraka. |
|   | Napačen modul vžiga.   | Kontaktirajte pooblaščen servisni center podjetja Makita.   |
| Motor se težko zažene ali izgublja moč. | V rezervoarju je umazanija, voda ali staro gorivo.                             | Izpraznite gorivo in očistite rezervoar. V rezervoar natočite čisto, sveže gorivo.  |
|   | Odprtina za prezračevanje v pokrovu rezervoarja je zamašena.                   | Očistite ali zamenjajte pokrov rezervoarja.   |
|   | Čistilec zraka je prašen.  | Očistite čistilec zraka.  |
| Motor deluje neenakomerno.              | Vžigalna svečka je okvarjena.  | Namestite novo svečko s pravilno razdaljo: glejte PRIROČNIK ZA LASTNIKA MOTORJA.  |
|   | Nepravilna razdalja vžigalne svečke.   | Nastavite razdaljo elektrod od 0,7 do 0,8 mm.   |
|   | Čistilec zraka je umazan.  | Očistite čistilec zraka: glejte PRIROČNIK ZA LASTNIKA MOTORJA.  |
| Motor slabo teče.                       | Čistilec zraka je umazan.  | Očistite čistilec zraka: glejte PRIROČNIK ZA LASTNIKA MOTORJA.  |
|   | Prezračevalne reže ohišja motorja so zamašene.                                 | Z rež odstranite umazanijo.   |
|   | Hladilna rebra in zračni prehodi pod ohišjem ventilatorja motorja so zamašeni. | Odstranite umazanijo s hladilnih reber in zračnih prehodov.   |
| Motor preskakuje ob višji hitrost.      | Razdalja med elektrodami vžigalne svečke je premajhna.                         | Nastavite razdaljo elektrod od 0,7 do 0,8 mm.   |
| Motor se pregreva.                      | Hlajenje zračnega toka je ovirano.   | Odstranite umazanijo iz rež ohišja motorja, ohišja ventilatorja, zračnih prehodov.  |
|   | Nepravilna vžigalna svečka.  | Namestite RJ19LMC vžigalno svečko in hladilna rebra na motor.   |
| Kosilnica neobičajno vibrira.           | Rezilo je zrahljano.   | Privijte rezilo.  |
|   | Rezilo ni uravnoteženo.  | Uravnotežite rezilo.  |

## 14. OKOLJE

Če boste po daljši uporabi morali zamenjati napravo, je ne odvrzite med gospodinjne odpadke ampak jo odstranite na okolju prijazen način.

### Samo za evropske države

#### ES Izjava o skladnosti

**Družba Makita Corporation kot odgovorni proizvajalec izjavlja, da je naslednji stroj Makita:**

Oznaka stroja: Kosilnica z bencinskim motorjem

Št. modela / tip: PLM4621, PLM4622

Specifikacije: Glejte „4. Tehnični podatki“

del serijske proizvodnje in

**v skladu z naslednjimi evropskimi direktivami:**

2006/42/ES, 2004/108/ES,

2000/14/ES in 2005/88/ES

In je izdelana v skladu z naslednjimi standardi ali standardiziranimi dokumenti:

EN836, EN ISO14982

Tehnično dokumentacijo hrani naš pooblaščen predstavnik za Evropo:

Makita International Europe Ltd.,

Michigan, Drive, Tongwell,

Milton Keynes, MK15 8JD, England

Postopek za ugotavljanje skladnosti, ki ga predpisuje

Direktiva 2000/14/EC, je v skladu s priložo VI.

Priglašeni organ:

TÜV SÜD Industrie Service GmbH

Westendstraße 199, D-80686 München

Identifikacijska številka: 0036

Model PLM4621

Izmerjena stopnja jakosti zvoka: 93,1 dB

Zajamčena stopnja jakosti zvoka: 96 dB

Model PLM4622

Izmerjena stopnja jakosti zvoka: 92,3 dB

Zajamčena stopnja jakosti zvoka: 96 dB

11. 11. 2011



Tomoyasu Kato

Direktor

Makita Corporation

3-11-8, Sumiyoshi-cho,

Anjo, Aichi, JAPAN

**Vysvetlenie všeobecného pohľadu**

- |                                       |                             |                                    |
|---------------------------------------|-----------------------------|------------------------------------|
| 1. Horná rukoväť                      | 6. Vodiaci prvok lanka      | 12. Uzáver olejovej nádrže         |
| 2. Rukoväť s ovládaním zastavenia     | 7. Vrečko na trávnu         | 13. Káblová svorka                 |
| 3. Rukoväť ovládania vlastného pohonu | 8. Páčka nastavenia výšky   | 14. Poistný otočný gombík          |
| 4. Páčka nastavenia otáčok motora     | 9. Plošina                  | 15. Páčka pre nastavenie rýchlosti |
| 5. Rukoväť štartéra                   | 10. Zapaľovacia sviečka     |                                    |
|                                       | 11. Uzáver palivovej nádrže |                                    |

**VÝSTRAHA**

Kvôli vlastnej bezpečnosti si prečítajte tento návod skôr, ako sa pokúsite prevádzkovať svoju novú jednotku. Opomenutie dodržiavať pokyny môže mať za následok vážne osobné poranenia. Venujte určitý čas a oboznámte sa pred každým použitím s kosačkou.

**1. SYMBOLY VYZNAČENÉ NA VÝROBKU**

Prečítajte si návod na obsluhu.



Zabráňte prístupu okolostojacich.



Viac pozornosti venujte rukám a nohám obsluhy, aby ste predišli poraneniam.



Jedovaté výpary; neprevádzkujte v interiéri.



Palivo je horľavé; zabráňte prístupu ohňa. Palivo nepridávajte keď motor beží.



Počas kosenia používajte okuliare a ochranu uší s cieľom chrániť samotnú obsluhu.



Počas vykonávania opráv demontujte zapaľovaciu sviečku a následne vykonajte opravu podľa návodu na obsluhu.



Upozornenie: Motor je horúci.



Motor zastavíte uvoľnením rukoväte prepínačom.



Pre pohyb dopredu uchopte rukoväť pre ovládanie vlastného pohonu.

**2. VŠEOBECNÉ BEZPEČNOSTNÉ PRAVIDLÁ**

**VÝSTRAHA:** Pri používaní benzínového náradia je nutné vždy dodržiavať základné bezpečnostné opatrenia s cieľom znížiť riziko vážnych osobných poranení a/alebo poškodenia jednotky. Všetky tieto pokyny si prečítajte pred prevádzkovaním tejto jednotky a tieto pokyny uschovajte pre možnú potrebu v budúcnosti.



**VÝSTRAHA:** Toto strojné zariadenie počas svojej prevádzky produkuje elektromagnetické pole. Toto pole môže v niektorých prípadoch ovplyvňovať činnosť aktívnych alebo pasívnych zdravotných implantátov. Aby sa znížilo riziko vážnych alebo smrteľných úrazov, odporúčame osobám, ktoré používajú zdravotné implantáty, aby sa pred prevádzkovaním tohto strojného zariadenia poradili so svojim lekárom alebo s výrobcom zdravotného implantátu.

**Zaškolenie**

- Tieto pokyny si dôkladne prečítajte. Oboznámte sa s ovládačmi a správnym používaním zariadenia.
- Nikdy nedovoľte, aby deti alebo osoby, ktoré neboli oboznámené s týmito pokynmi používali kosačku. Miestne nariadenia môžu obmedzovať vek obsluhy.
- Nikdy nekoste, pokiaľ stoja v blízkosti osoby, hlavne deti, alebo zvieratá.
- Berte do úvahy, že obsluha alebo používateľ je zodpovedný za nehody alebo riziká vzniknulé vo vzťahu k ostatným osobám alebo k ich majetku.

## Príprava

- Počas kosenia vždy používajte pevnú obuv a dlhé nohavice. Zariadenie neobsluhujte pokiaľ ste bosí alebo máte sandále.
- Dôkladne skontrolujte miesto používania zariadenia a odstráňte všetky predmety, ktoré by mohli byť strojom odhodnené.
- **VÝSTRAHA** - benzín je veľmi horľavý.
  - palivo skladujte v nádobách špeciálne navrhnutých na tento účel;
  - palivo doplňajte v exteriéri a počas doplňania paliva nefajčíte;
  - palivo doplňajte pred naštartovaním motora. Nikdy nesiňajte uzáver palivovej nádrže ani nepridávajte benzín pokiaľ motor beží, alebo pokiaľ je motor horúci;
  - pokiaľ dôjde k rozliatiu benzínu, nepokúšajte sa naštartovať motor, ale stroj preneste do dostatočnej vzdialenosti od miesta rozliatia a zabráňte vzniku zdroja zapálenia, a to až dokiaľ sa benzínové výpary nerozptýlia;
  - uzáver palivovej nádrže a nádoby bezpečne nasadte naspäť.
- Vymeňte chybné tlmiče.
- Pred používaním vždy vizuálne skontrolujte a presvedčte sa, že čepele, skrutky čepelí a montážna zostava rezača nie sú opotrebované alebo poškodené. Aby ste zachovali vyváženú, vymieňajte naraz celú sadu opotrebovaných alebo poškodených čepelí a skrutiek.

## Prevádzka

- Motor neprevádzkujte v uzavretom priestore, kde môže dôjsť k nahromadeniu nebezpečných výparov oxidu uhoľnatého.
- Koste iba pri dennom svetle alebo pri dobrom umelom osvetlení.
- Pokiaľ je to možné, vyhnite sa prevádzkovaní zariadenia v mokrej trávě.
- Na svahoch vždy zaujmite stabilný postoj.
- Kráčajte a nikdy nebežte.
- Pokiaľ ide o kolesové rotačné stroje, koste pozdĺž čela svahov a nikdy nie nahor a nadol.
- Pri zmene smeru na svahoch dávajte maximálny pozor.
- Nekoste nadmerne strmé svahy.
- Pri pohybe smerom dozadu alebo pri t'ahaní kosačky k sebe dávajte maximálny pozor.
- Čepeľ(e) zastavte pred skllopením kosačky kvôli prenosu cez netravnaté miesta a pred prenášaním kosačky na a z miesta kosenia.
- Kosačku nikdy nepoužívajte, pokiaľ sú poškodené jej chrániče, alebo bez namontovaných bezpečnostných zariadení, napríklad vychyľovačov a/alebo lapačov trávy.
- Nemeňte nastavenia regulátora motora ani maximálne otáčky motora.
- Pred naštartovaním motora vyradte všetky čepele a spojky pohonu.
- Motor naštartujte bezpečne podľa pokynov, pričom nohu majte v dostatočnej vzdialenosti od čepele(i).
- Kosačku nesklápajte pri štartovaní motora.

- Nespúšťajte motor pokiaľ stojíte pred vyprázdňovacím žlabom.
- Ruky ani nohy nestrkajte do blízkosti alebo pod rotujúce časti. Počas celej doby zabezpečte aby sa vyprázdňovací otvor nezanášal.
- Nikdy pri spustení motore kosačku nezdvíhajte ani neprenášajte.
- Zastavte motor a odpojte drôt zapaľovacej sviečky, presvedčte sa, že všetky pohyblivé časti sa úplne zastavili a pokiaľ je kosačka vybavená kľúčikom, kľúčik vyberte:
  - pred odstránením zablokovania alebo čistením zanesenia žlabu;
  - pre vykonávaním kontroly, čistenia zanesenia alebo prácou na kosačke;
  - po narazení na cudzí predmet. Pred opakovaným naštartovaním a prevádzkovaním kosačky skontrolujte kosačku z pohľadu poškodenia a opravte ju;
  - ak kosačka začne neštandardne vibrovať (okamžite skontrolujte).
- Zastavte motor a odpojte drôt zapaľovacej sviečky, presvedčte sa, že všetky pohyblivé časti sa úplne zastavili a pokiaľ je kosačka vybavená kľúčikom, kľúčik vyberte:
  - vždy, keď kosačku opúšťate;
  - pred doplnením paliva.
- Počas dobehu motora uberte sýtič a ak je motor vybavený s uzatváracím ventilom, v závere kosenia vypnite prívod paliva.
- Kosačku používajte jedine na účel, pre ktorý bola navrhnutá, a to na kosenie a zber trávy. Akékoľvek iné použitie môže mať za následok poškodenie stroja.

## Údržba a skladovanie

- Všetky matice a skrutky majte dotiahnuté, aby ste mali istotu, že zariadenie je v bezpečnom pracovnom stave.
- Zariadenie nikdy neskladujte s benzínom v nádrži vo vnútri budovy, kde sa výpary môžu dostať k otvorenému ohňu alebo iskre.
- Pred uskladnením na akomkoľvek ohradenom priestore nechajte motor vychladnúť.
- Pre zníženie rizika vzniku požiaru motor, tlmáč, priestor na batériu a priestor na skladovanie benzínu majte čisté od trávy, listov alebo prílišného množstva maziva.
- Lapač trávy často kontrolujte z pohľadu opotrebovania alebo poškodenia.
- Opotrebované alebo poškodené súčasti z bezpečnostných dôvodov vymeňte.
- Ak musíte vyprázdniť palivovú nádrž, vykonajte to vonku.



**VÝSTRAHA:** Nedotýkajte sa rotujúcej čepele.



**VÝSTRAHA:** Palivo doplňajte na dobre vetranom mieste a pri zastavenom motore.

## 3. POPIS SÚČASTÍ (Obr. 1 a 2)

### Obsahuje

A: Kľúč na zapaľovaciu sviečku

B: Mulčovací klin

## 4. TECHNICKÉ ÚDAJE

| Model  | PLM4621                    | PLM4622                     |
|--|----------------------------|-----------------------------|
| Typ motora                                     | séria B&S 650E, ReadyStart | séria B&S 675EX, ReadyStart |
| S vlastným pohonom                             | Áno                        | Áno                         |
| Zdvihový objem motora                          | 190 cm <sup>3</sup>        | 190 cm <sup>3</sup>         |
| Šírka čepele                                   | 460 mm                     | 460 mm                      |
| Otáčky pri voľnobehu                           | 2800 / min.                | 2800 / min.                 |
| Objem palivovej nádrže                         | 1,0 l                      | 1,0 l                       |
| Objem olejovej nádrže                          | 0,6 l                      | 0,6 l                       |
| Objem vrečka na zachytávanie trávy             | 60 l                       | 60 l                        |
| Čistá hmotnosť                                 | 33,8 kg                    | 35,4 kg                     |
| Nastavenie výšky                               | 20-75 mm, 5 nastavení      | 20-75 mm, 5 nastavení       |
| Hluk podľa EN836                               |                            |                             |
| Hladina akustického tlaku (L <sub>pA</sub> ):  | 81,5 dB (A)                | 83,1 dB (A)                 |
| Hladina akustického výkonu (L <sub>wA</sub> ): | 93,1 dB (A)                | 92,3 dB (A)                 |
| Odchýlka (K):                                  | 2,41 dB (A)                | 2,75 dB (A)                 |
| Vibrácie podľa EN836                           |                            |                             |
| Emisie vibrácií (a <sub>h</sub> ):             | 6,4 m/s <sup>2</sup>       | 7,5 m/s <sup>2</sup>        |
| Odchýlka (K):                                  | 1,5 m/s <sup>2</sup>       | 1,5 m/s <sup>2</sup>        |

## 5. MONTÁŽ

### 5-1 MONTÁŽ SKLÁPACEJ RUKOVÄTE

- Spodné riadidlá pripevnite k hlavnej časti jednotky pomocou poistných otočných gombíkov, ako je to znázornené. (**Obr. 3, Obr. 4, Obr. 5, Obr. 6**)
- Horné riadidlá uvoľnite kvôli sklopeniu. Hornú rukoväť a dolnú rukoväť spojte poistným otočným gombíkom. (**Obr. 7, Obr. 8**)
- Všetky káble umiestnite ponad tyčky rukoväti. Pomocou káblových svoriek ich prichyťte k strednej časti spodných rukoväti tak, aby boli káble prichytené na vonkajšej strane stroja. V opačnom prípade môžu byť káble zovreté pri otvárani/zatváraní zadného krytu alebo namáhané skladaním hornej rukoväte. (**Obr. 9**)

### 5-2 MONTÁŽ LAPAČA TRÁVY

- Montáž: Zdvihnite zadný kryt a zahájkujte lapač trávy o tyčku na zadnej strane kosačky. (**Obr. 10, Obr. 11**)
- Demontáž: Uchopte a zdvihnite zadný kryt a snímte lapač trávy.

### 5-3 RUKOVÄŤ ŠTARTÉRA

Presuňte rukoväť štartéra od motora k vodiacemu prvku lanka. (**Obr. 12, Obr. 13**)

### 5-4 VÝŠKA REZU

Pokiaľ chcete páčku uvoľniť z ozubenia, vyviňte na ňu tlak smerom von. Výšku nastavte posunutím páčky dopredu alebo dozadu. (**Obr. 14 a článok 8-9**)

## 6. NAŠTAVENIE SPRÁVNEJ VÝŠKY

- Vytiahnite poistný otočný gombík, ktorý fixoval spodnú rukoväť, pozrite si **Obr. 15**.
- Pozrite si **Obr. 16**, posúvajte spodnú rukoväť nahor a nadol a nastavte správnu výšku.  
V prípade tohto typu kosačky sú k dispozícii 3

nastavenia výšky; pri nastavení výšky 1 je vzdialenosť spodnej rukoväte od zeme najväčšia, výška pri nastavení 3 je najnižšia.

- 3) Vykonať nastavenie správnej výšky a následne upevniť spodnú rukoväť poistnými otočnými gombíkmi.



**VÝSTRAHA:** Ľavá a pravá strana spodnej rukoväte musia byť nastavené na rovnakú výšku.

## 7. MULČOVACIA KOSAČKA

Čo je mulčovanie?

Počas mulčovania je tráva odseknutá v rámci jedného pracovného kroku, následne je najemno posekaná a vrátená do trávnik ako prírodné hnojivo.

Tipy pre kosenie s mulčovaním:

- Vykonať bežné kosenie 2 cm s cieľom dosiahnuť 6 cm až 4 cm výšku trávy.
- Použite ostrý rezný nôž.
- Nekoste mokrú trávu.
- Nastavte maximálne otáčky motora.
- Koste pri pohybe pracovným krokom.
- Pravidelne čistite mulčovací klin, vnútornú stranu skrine a pohyblivú čepeľ.



**VÝSTRAHA:** Jedine so zastaveným motorom a zastavenou kosačkou.

1. Zdvihnite zadný kryt a demontujte lapač trávy;
2. Zatláčte mulčovací klin do plošiny. Mulčovací klin zaistíte tlačidlom do otvoru na plošine. (**Obr. 17, Obr. 18**)
3. Opätovne znížte zadný kryt.

## 8. POKYNY NA PREVÁDZKU

### 8-1 PRED NAŠTARTOVANÍM

Motor prevádzkujte v spojení s benzínom a olejom podľa pokynov uvedených v samostatnom návode na obsluhu motora, ktorý je priložený k vašej kosačke. Pokyny si starostlivo prečítajte.



**VÝSTRAHA:** Benzín je veľmi horľavý.

Palivo skladujte v kontajneroch špeciálne navrhnutých na tento účel.

Palivo doplňajte iba v exteriéri a pred spustením motora, počas dopĺňania ani manipulácie s palivom nefajčíte. Uzáver palivovej nádrže neodoberajte a benzín nedolievajte nikdy počas chodu motora alebo keď je motor horúci.

Pokiaľ dôjde k rozliatiu benzínu, nepokúšajte sa naštartovať motor, ale stroj preneste do dostatočnej vzdialenosti od miesta rozliatia a zabráňte vzniku zdroja zapálenia, a to až dokiaľ sa benzínové výpary nerozptýlia. Všetky uzávery palivových nádrží a nádrží na palivo bezpečne nasadte naspäť.



Pred obrátením kosačky s cieľom údržby čepele alebo vypustenia oleja, vypustíte z nádrže palivo.



**VÝSTRAHA:** Palivo nikdy nedoplňajte v interiéri,

pri spustení motora alebo dokiaľ ste nenechali motor vychladnúť počas doby aspoň 15 minút od jeho spustenia.

### 8-2 SPUSTENIE MOTORA A ZARADENIE ČEPELE

1. Jednotka je vybavená gumenou pätkou, ktorá sa nachádza nad koncom zapalovacej sviečky. Presvedčte sa, že kovová slučka na konci drôtu zapalovacej sviečky (vo vnútri gumenej pätky) je bezpečne utiahnutá ku kovovému hrotu zapalovacej sviečky.
2. Pri štartovaní studeného motora otočte páčku nastavenia otáčok motora do polohy „“. Pri štartovaní horúceho motora a pri prevádzkovaní otočte páčku nastavenia otáčok motora do polohy „“. (Obr. 19)
3. Stojac za jednotkou uchopte rukoväť s ovládaním zastavenia a držte ju oproti hornej rukoväti, ako je to znázornené na Obr. 20.
4. Uchopte rukoväť štartéra ako je to znázornené na Obr. 20 a silno ju potiahnite. Po naštartovaní motora ju pomaly vráťte do skrutky vodiaceho prvku lanka. Pokiaľ chcete zastaviť motor a čepeľ, uvoľnite rukoväť s ovládaním zastavenia.



Motor naštartujte bezpečne podľa pokynov, pričom nohu majte v dostatočnej vzdialenosti od čepele.



Kosačku neskláľajte pri štartovaní motora. Kosačku štartujte na rovnom povrchu bez výskytu vysokej trávy alebo prekážok.



Zabráňte styku rúk a nôh s rotujúcimi súčasťami. Nespušťajte motor pokiaľ stojíte pred vyprázdňovacím otvorom.

### 8-3 PREVÁDZKOVÉ POSTUPY

Počas prevádzky pevne oboma rukami držte rukoväť s ovládaním zastavenia.



**Poznámka:** Pokiaľ počas prevádzky uvoľníte rukoväť s ovládaním zastavenia, dôjde k zastaveniu motora a tým aj prevádzky kosačky.

### 8-4 ZASTAVENIE MOTORA



**UPOZORNENIE:** Po vypnutí motora sa bude čepeľ ešte niekoľko sekúnd otáčať.

1. Pokiaľ chcete zastaviť motor a čepeľ, uvoľnite rukoväť s ovládaním zastavenia.
2. Odpojte a uzemnite drôt zapalovacej sviečky, ako je to uvedené v samostatnom návode na obsluhu motora, čím zabránite náhodnému naštartovaniu počas doby, kedy je zariadenie ponechané bez dozoru.

### 8-5 SPOJENIE PRE AUTOMATICKÝ POHYB

#### Pre PLM4621

Uchopte rukoväť pre ovládanie vlastného pohonu; kosačka sa automaticky pohne dopredu pri rýchlosti asi 1m/s. Pokiaľ uvoľníte rukoväť ovládania vlastného pohonu, kosačka sa zastaví.

#### Pre PLM4622

Kosačka je nastavená systémom nastavenia rýchlosti, ktorým dokážete nastaviť 3 rýchlosti v rozsahu 3,0 km/h až 4,5 km/h.

Vykonajte to nasledujúcim spôsobom:

1. Uvoľnite rukoväť ovládania vlastného pohonu, a to dokiaľ sa kosačka nebude pohybovať dopredu.
2. Nastavte vami požadovanú správnu rýchlosť.
3. Uchopte rukoväť ovládania vlastného pohonu a pokračujte v kosení. (Obr. 21)



**UPOZORNENIE:** Vaša kosačka je navrhnutá na sekanie trávy na plochách pri obytných budovách, ktorej výška je do 250 mm. Nepokúšajte sa kosiť nezvyčajne vysokú suchú alebo mokrá trávu (napr. pastviny) alebo kopy suchého lístia. Na plošine kosačky sa môžu usádzať úlomky alebo môže dôjsť ku kontaktu s motorom s dôsledkom možného rizika požiaru.

### 8-6 AKO DOSIAHNUŤ NAJLEPŠIE VÝSLEDKY POČAS MULČOVANIA

Vyčistite trávnik od úlomkov. Z trávniku odstráňte kamene, triesky, drôty alebo ďalšie cudzie predmety, ktoré by mohli byť kosačkou náhodne odhodene ktorékoľvek smerom a ktoré mohli spôsobiť vážne osobné poranenia obsluhu a ostatných, ako aj poškodenie majetku a okolitých objektov. Nekoste mokrá trávu. Pre dosiahnutie účinného mulčovania nekoste mokrá trávu,

pretože má tendenciu priľnúť na spodnú časť plošiny a zabráňovať v správnom mulčovaní kúskov trávy. Koste na dĺžku nie viac ako 1/3 dĺžky trávy. Odporúčaná výška rezu pre mulčovanie je 1/3 dĺžky trávy. Rýchlosť pohybu po zemi je potrebné nastaviť tak, aby boli odseknuté kúsky rovnomerne roztrúsené do trávniku. Hlavné pre ťažké kosenie hustej trávy môže byť potrebné použiť jednu za najnižších rýchlostí s cieľom dosiahnuť čistý dobre mulčovaný rez. Pri mulčovaní vysokej trávy bude potrebné vykonať kosenie trávniku v dvoch fázach, pričom v prípade druhého kosenia dôjde k zníženiu čepela o ďalšiu 1/3 a možno kosiť aj v inom smere ako ste kosili prvýkrát.

Mierne prekryvanie pásov kosenia pri každom prechode kosačkou taktiež dopomôže vyčistiť zabudnuté zvyšky z trávniku. Kosačka by mala byť vždy prevádzkovaná pri plne otvorenom sýtiči s cieľom dosiahnuť najlepší rez a umožniť najefektívnejšie mulčovanie. Vyčistíte spodnú stranu plošiny.

Po každom použití vyčistíte spodnú stranu plošiny kosačky s cieľom zabrániť koseniu trávy, ktorá by zabránila správne mulčovanie. Mulčovanie lístia. Prínosom pre váš trávnik môže byť aj mulčovanie lístia. Pri mulčovaní lístia sa presvedčte, že lístie je suché a neleží na trávniku vo veľmi hrubej vrstve. Pred mulčovaním nečakajte, dokiaľ zo stromov opadne všetko lístie.



**VÝSTRAHA:** Po narazení na cudzí predmet zastavte motor. Od zapalovacej sviečky odpojte drôt, dôkladne skontrolujte kosačku z pohľadu poškodenia a poškodenie opravte pred opätovným naštartovaním a prevádzkovaním kosačky. Nadmerné vibrácie kosačky počas prevádzky indikujú poškodenie. Jednotka by mala byť čo najskôr skontrolovaná a opravená.

## 8-7 LAPAČ TRÁVY

Vyprázdňte a vyčistite vrecko, presvedčte sa, že je čisté a zabezpečte, aby sieťovina, ktorým je vybavené bola odvetrávaná. (Obr. 22)

## 8-8 PLOŠINA

Spodná strana plošiny kosačky by mala byť vyčistená po každom použití, aby sa zabránilo usadzovaniu zvyškov trávy, lístia, špiny a ďalších materiálov. Pokiaľ umožníte hromadeniu zvyškov, podporíte tak vznik hrdze a korózie a taktiež zabránite správne mulčovanie. Plošinu môžete vyčistiť sklopením kosačky a oškriabaním dočista pomocou vhodného nástroja (skontrolujte, že ste najprv odpojili drôt zapalovacej sviečky).

## 8-9 POKYNY PRE NASTAVENIE VÝŠKY



**UPOZORNENIE:** Nikdy na kosačke nevykonávajte žiadne úpravy bez toho, aby ste ju najprv zastavili a odpojili drôt zapalovacej sviečky.



**UPOZORNENIE:** Pred zmenou výšky kosenia zastavte kosačku a odpojte drôt zapalovacej sviečky. Vaša kosačka je vybavená centrálnou páčkou nastavenia výšky, ktorá ponúka 5 výškových polôh.

1. Pred vykonaním zmeny výšky kosenia zastavte kosačku a odpojte drôt zapalovacej sviečky.
2. Centrálna páčka nastavenia výšky ponúka 5 rôznych výškových polôh.
3. Pokiaľ chcete zmeniť výšku rezu, stlačte páčku nastavenia smerom ku kolesu a posuňte nahor alebo nadol na zvolenú výšku (Obr. 23). Všetky kolesá budú v rovnakej výške rezu.

## 9. POKYNY PRE ÚDRŽBU

### ZAPALOVACIA SVIEČKA

Používajte jedine originálnu náhradnú sviečku. Pre dosiahnutie najlepších výsledkov vymieňajte zapalovaciu sviečku raz za 100 hodín používania. (pozrite si NÁVOD NA OBSLUHU MOTORA)

## 10. POKYNY PRE MAZANIE



**UPOZORNENIE:** PRED VYKONÁVANÍM SERVISU ODPOJTE ZAPALOVACIU SVIEČKU.

1. KOLESÁ - všetky guľôčkové ložiská všetkých kolies namažte ľahkým olejom aspoň raz za sezónu.
2. MOTOR - pokyny pre mazanie nájdete v návode na obsluhu motora.
3. OVLÁDANIE ČEPELE - namažte miesta spojenia (čapy) na rukoväti ovládania čepela a brzdovom lanku aspoň raz za sezónu ľahkým olejom. Ovládanie čepela musí fungovať voľne v oboch smeroch.

## 11. ČISTENIE



**UPOZORNENIE:** Motor neumývajte hadicou. Voda môže poškodiť motor a znečistiť palivový systém.

1. Plošinu kosačky utrite dosucha tkaninou.
2. Hadicou umyte spodnú časť plošiny kosačky naklonením kosačky tak, aby zapalovacia sviečka bola hore.

### 11-1 VZDUCHOVÝ ČISTIČ MOTORA



**UPOZORNENIE:** Nedovoľte, aby špina alebo prach zanesli penový prvok vzduchového filtra.

Servis (vyčistenie) prvku vzduchového filtra motora sa musí vykonávať po 25 hodinách štandardného kosenia. Servis penového prvku sa musí vykonávať pravidelne pokiaľ sa kosačka používa v suchých prašných podmienkach. (pozrite si NÁVOD NA OBSLUHU MOTORA)

### ČISTENIE VZDUCHOVÉHO FILTRA

1. Odskrutkujte skrutku.
2. Demontujte kryt.
3. Prvok filtra umyte v saponátovej vode.  
**NEPOUŽÍVAJTE BENZÍN!**
4. Prvok filtra nechajte vyschnúť na vzduchu.
5. Na penový filter kvapnite niekoľko kvapiek oleja SAE30 a dôkladne stlačte s cieľom odstrániť prebytočný olej.
6. Filter nainštalujte.





**POZNÁMKA:** Filter vymeňte pokiaľ je roztrhnutý, poškodený alebo pokiaľ ho nemožno vyčistiť. (Obr. 24)

## 11-2 REZNÁ ČEPEĽ



**UPOZORNENIE:** Pred prácou na reznej čepeľi odpojte a uzemnite drôt zapaľovacej sviečky s cieľom predísť náhodnému spusteniu motora. Ruky si chráňte používaním hrubých rukavíc alebo handry, ktorou uchopíte čepele.

Kosačku prevráťte, ako je to uvedené v samostatnom návode na obsluhu motora. Odskrutkujte šesťhrannú skrutku a podložku pridržiavajúcu čepeľ a adaptér čepele ku kľukovému hriadeľu motora. Z kľukového hriadeľa demontujte čepeľ a adaptér.



**VÝSTRAHA:** Adaptér čepele pravidelne kontrolujte z pohľadu prasklín, a to hlavne ak narazíte na cudzí predmet. V prípade potreby vymeňte. Kvôli dosiahnutiu najlepších výsledkov by mala byť čepeľ ostrá. Čepeľ možno opätovne naostriť po jej demontovaní buď brúsením alebo pilníkovaním reznej hrany, a to pri čo najlepšom zachovaní pôvodného skosenia čepele. Je nesmierne dôležité, aby ste každú reznú hranu obrúšili o rovnaké množstvo materiálu, aby ste tak predišli nevyváženosti čepele. Nesprávne vyváženie čepele bude mať za následok nadmerné vibrácie s dôsledkom eventuálneho poškodenia motora a kosačky. Po naoštrení čepeľ dôkladne vyvážite. Vyváženie čepele možno skontrolovať jej vyvážením na skrutkovači s okrúhlou tyčkou. Z hrubšej strany odstráňte kov, a to až dokiaľ nebude čepeľ vyvážená. (Obr. 25)

Pred opätovným namontovaním čepele a adaptéra čepele na jednotku namažte kľukový hriadeľ motora a vnútorný povrch adaptéra čepele ľahkým olejom. Adaptér čepele namontujte na kľukový hriadeľ tak, aby „hviezdica“ smerovala od motora. Pozrite si Obr. 25. Čepeľ umiestnite tak, aby číslo súčiastky smerovalo od adaptéra. Nad čepeľ uložte podložku a vložte šesťhrannú skrutku. Šesťhrannú skrutku utiahnite na hodnotu krútiaceho momentu uvedenú nižšie.

## 11-3 MONTÁŽNY KRÚTIACI MOMENT PRE ČEPEĽ

Stredná skrutka musí byť utiahnutá na hodnotu krútiaceho momentu 35 - 45 Nm. Pokiaľ chcete zabezpečiť bezpečnú prevádzku vašej jednotky. VŠETKY matice a skrutky musia byť pravidelne kontrolované z pohľadu správneho utiahnutia. Po dlhodobom používaní hlavne v podmienkach piesčitej pôdy dôjde k opotrebovaniu čepele a ku strate časti jej pôvodného tvaru. Dôjde z redukovanému účinnému skoseniu a čepeľ bude potrebné vymeniť.

Vymeňte jedine za výrobné schválenú náhradnú čepeľ. Možné poškodenie v dôsledku stavu nevyváženosti čepele nie je v zodpovednosti výrobcu.

Pri výmene čepele musíte použiť originálny typ vyznačený na čepeľi (MAKITA 263001451) (pokiaľ si chcete objednať čepeľ, spojte sa so svojim miestnym predajcom, alebo zavolajte na našu spoločnosť).



**VÝSTRAHA:** Nedotýkajte sa rotujúcej čepele.

## 11-4 MOTOR

Pokyny ohľadne údržby motora nájdete v samostatnom návode na obsluhu motora.

Motorový olej používajte podľa pokynov v samostatnom návode na obsluhu motora dodávanom s vašou jednotkou.

Pokyny si dôkladne prečítajte a dodržiavajte ich.

Servis vzduchového čističa v rámci štandardných podmienok vykonávajte podľa samostatného návodu na obsluhu motora. V prípade veľmi prašných podmienok čistite stále po niekoľkých hodinách. Slabý výkon motora a jeho zaplavenie sú príznakom toho, že by ste mali vykonať servis vzduchového čističa.

Informácie o vykonávaní servisu vzduchového čističa nájdete v samostatnom návode na obsluhu motora, ktorý je súčasťou balenia vašej jednotky.

Zapaľovaciu sviečku by ste mali vyčistiť a jej iskrište opätovne nastaviť raz za sezónu. Vykonať výmenu zapaľovacej sviečky sa odporúča na začiatku každej sezóny kosenia; informácie o správnom type zapaľovacej sviečky a technické špecifikácie o iskrišti nájdete v návode na obsluhu motora.

Motor pravidelne čistite pomocou tkanina alebo kefy. Chladiaci systém (miesto skrine ventilátora) udržiavajte v čistote, aby ste zabezpečili správnu cirkuláciu vzduchu, ktorá je dôležitá pre výkon a životnosť motora. Z kľáste tlmíča výfuku odstraňujte trávu, špinu a horľavé úlomky.

## 12. POKYNY PRE USKLADNENIE (MIMO SEZÓNY)

Pokiaľ chcete pripraviť kosačku na skladovanie, vykonajte nasledujúce kroky.

1. Po poslednej kosbe sezóny nechajte motor bežať až do vyprázdnenia palivovej nádrže.
2. Kosačku dôkladne vyčistite a namažte ako je to uvedené v pokynoch pre mazanie.
3. Pokyny ohľadne správneho uskladnenia motora nájdete v návode na obsluhu motora.
4. Reznú čepeľ kosačky mierne namažte mazivom na podvozky, a to aby ste predišli hrdzaveniu.
5. Kosačku uskladnite na suchom a čistom mieste.



**POZNÁMKA:**

- Pri uskladnení akéhokoľvek typu elektrického zariadenia v nevetratej kólne alebo v kólne na uskladnenie materiálu;
- Pozornosť by ste mali venovať ochrane zariadenia pred hrdzou. Pomocou ľahkého oleja alebo silikónu namažte zariadenie, hlavne káble a pohyblivé súčasti.
- Dávajte pozor, aby ste neohli alebo neskrútili káble.
- Pokiaľ dôjde k odpojeniu lanka štartéra od vodiaceho prvku lanka na rukoväti, odpojte a uzemnite drôt zapaľovacej sviečky, stlačte rukoväť ovládania čepele a pomaly vytiahnite z motora lanko štartéra. Lanko štartéra zasuňte do skrutky vodiaceho prvku lanka na rukoväti.

## 13. RIEŠENIE PROBLÉMOV

| PROBLÉM   | MOŽNÁ PRÍČINA   | NÁPRAVA  |
|---|---|--|
| Motor nenaštartuje.                                   | Škrtiaca klapka nie je v správnej polohe pre aktuálne pretrvávajúce podmienky.      | Posuňte škrtiacu klapku do správnej polohy.  |
|   | Palivová nádrž je prázdna.  | Palivovú nádrž naplňte palivom. Pozrite si NÁVOD NA OBSLUHU MOTORA.  |
|   | Prvok vzduchového čističa je špinavý.   | Prvok vzduchového čističa vyčistíte. Pozrite si NÁVOD NA OBSLUHU MOTORA.   |
|   | Zapaľovacia sviečka je uvoľnená.  | Zapaľovaciu sviečku utiahnite na hodnotu krútiaceho momentu 25 - 30 Nm.  |
|   | Drôt zapaľovacej sviečky je uvoľnený alebo odpojený od sviečky.                     | Drôt zapaľovacej sviečky nainštalujte na zapaľovaciu sviečku.  |
|   | Iskrište zapaľovacej sviečky nie je správne nastavené.                              | Nastavte iskrište tak, aby štrbina medzi elektródami bola 0,7 až 0,8 mm.   |
|   | Zapaľovacia sviečka je chybná.  | Nainštalujte novú sviečku so správne nastaveným iskrišť'om. Pozrite si NÁVOD NA OBSLUHU MOTORA.  |
|   | Karburátor je zaplavený palivom.  | Demontujte prvok vzduchového čističa a ťahajte nepretržite lanko štartéra dokiaľ sa karburátor sám nevyčistí; následne nainštalujte prvok vzduchového čističa. |
|   | Chybný modul zapaľovania.   | Obráťte sa na autorizované servisné centrum spoločnosti Makita.  |
| Je ťažké naštartovať motor, alebo motor stráca výkon. | Špina, voda alebo uschnutá palivová nádrž.  | Palivovú nádrž vypusťte a vyčistíte. Nádrž naplňte čistým, čerstvým palivom.   |
|   | Vetrací otvor na uzávere palivovej nádrže je upchaný.                               | Vyčistíte alebo vymeňte uzáver palivovej nádrže.   |
|   | Prvok vzduchového čističa je špinavý.   | Prvok vzduchového čističa vyčistíte.   |
| Motor pracuje nepravidelne.                           | Zapaľovacia sviečka je chybná.  | Nainštalujte novú sviečku so správne nastaveným iskrišť'om. Pozrite si NÁVOD NA OBSLUHU MOTORA.  |
|   | Iskrište zapaľovacej sviečky nie je správne nastavené.                              | Nastavte iskrište tak, aby štrbina medzi elektródami bola 0,7 až 0,8 mm.   |
|   | Prvok vzduchového čističa je špinavý.   | Prvok vzduchového čističa vyčistíte. Pozrite si NÁVOD NA OBSLUHU MOTORA.   |
| Voľnobeh motora je slabý.                             | Prvok vzduchového čističa je špinavý.   | Prvok vzduchového čističa vyčistíte. Pozrite si NÁVOD NA OBSLUHU MOTORA.   |
|   | Vetracie štrbiny na plášti motora sú zablokované.                                   | Z vývrtov odstráňte úlomky.  |
|   | Chladiace rebra a vzduchové prechody pod skriňou ventilátora motora sú zablokované. | Z chladiacich rebier a vzduchových prechodov odstráňte úlomky.   |
| Motor pri vysokých otáčkach vynecháva.                | Štrbina medzi elektródami zapaľovacej sviečky je veľmi malá.                        | Nastavte iskrište tak, aby štrbina medzi elektródami bola 0,7 až 0,8 mm.   |
| Motor sa prehrieva.                                   | Tok chladiaceho vzduchu je obmedzený.   | Odstráňte všetky úlomky z otvorov v plášti, skrine ventilátora a vzduchových prechodov.  |
|   | Nesprávna zapaľovacia sviečka.  | Na motor nainštalujte zapaľovaciu sviečku RJ19LMC a chladiace rebra.   |
| Kosačka neštandardne vibruje.                         | Rezná zostava je uvoľnená.  | Utiahnite čepeľ.   |
|   | Rezná zostava je nevyvážená.  | Čepeľ vyvážite.  |

## 14. OCHRANA ŽIVOTNÉHO PROSTREDIA

ale ho zneškodnite environmentálne bezpečným spôsobom.

Pokiaľ chcete po dlhodobom používaní stroja stroj vymeniť za iný, nevyhadzujte ho do domového odpadu

## Len pre európske krajiny

### Vyhlasenie o zhode so smernicami Európskeho spoločenstva

**Naša spoločnosť Makita, ako zodpovedný výrobca prehlasujeme, že nasledujúce zariadenie(a) značky Makita:**

Označenie zariadenia: Benzínová kosačka

Číslo modelu / typ: PLM4621, PLM4622

Technické špecifikácie: Pozrite si „4. Technické údaje“ predstavujú výrobky sériovej výroby a

**vyhovujú nasledujúcim európskym smerniciam:**

2006/42/ES, 2004/108/ES,

2000/14/ES a 2005/88/ES

a sú vyrobené podľa nasledujúcich noriem a štandardizovaných dokumentov:

EN836, EN ISO14982

Technická dokumentácia sa nachádza u nášho

autorizovaného zástupcu v Európe, ktorým je spoločnosť:

Makita International Europe Ltd.,

Michigan, Drive, Tongwell,

Milton Keynes, MK15 8JD, Anglicko

Postup posúdenia zhody, ako vyžaduje smernica 2000/14/ES bol zrealizovaný podľa prílohy VI.

Oboznámený orgán:

TÜV SÜD Industrie Service GmbH

Westendstraße 199, D-80686 München

Identifikačné číslo: 0036

Model PLM4621

Meraná úroveň akustického výkonu: 93,1 dB

Garantovaná úroveň akustického výkonu: 96 dB

Model PLM4622

Meraná úroveň akustického výkonu: 92,3 dB

Garantovaná úroveň akustického výkonu: 96 dB

11. 11. 2011



Tomoyasu Kato

Riaditeľ

Makita Corporation

3-11-8, Sumiyoshi-cho,

Anjo, Aichi, JAPAN

## Explicația vederii generale

- |   |  |                              |
|---|--|------------------------------|
| 1. Mâner superior                             | 7. Sac pentru iarbă                      | 13. Clemă de cablu           |
| 2. Mâner de control oprire                    | 8. Manetă de reglare înălțime            | 14. Buton de blocare         |
| 3. Mâner de comandă pentru acționare automată | 9. Punte                                 | 15. Manetă de reglare viteză |
| 4. Manetă de turație motor                    | 10. Bujie                                |                              |
| 5. Manetă de pornire                          | 11. Capac ștuț de umplere cu combustibil |                              |
| 6. Ghidaj de cablu                            | 12. Capac ulei                           |                              |



### AVERTISMENT

Pentru propria dumneavoastră siguranță, vă rugăm citiți acest manual înainte de a încerca operarea unității. Nerespectarea acestor instrucțiuni poate duce la accidente personale grave. Acordați-vă câteva momente pentru a vă familiariza cu mașina de tuns iarba înaintea fiecărei utilizări.



Atenție: Motor fierbinte.



Eliberați mânerul de comutator pentru a opri motorul.



Prindeți mânerul de comandă pentru acționare automată pentru deplasare înainte.

## 1. SIMBOLURI MARCATE PE PRODUS



Citiți manualul operatorului.



Instruiți persoanele aflate în zonă să păstreze distanța.



Acordați atenție mâinilor și picioarelor pentru a evita răniurile.



Fumuri toxice; Nu operați în interior.



Combustibilul este inflamabil, feriiți mașina de flăcări deschise. Nu adăugați combustibil în timp ce mașina operează.



La tunderea ierbii, vă rugăm purtați ochelari de protecție și astupătoare de urechi pentru a vă proteja.



La efectuarea reparațiilor, vă rugăm scoateți bujiile și apoi reparați în conformitate cu manualul operatorului.

## 2. REGULI GENERALE DE SIGURANȚĂ



**AVERTISMENT:** La utilizarea uneltelor pe bază de benzină, măsurile de precauție de bază, inclusiv următoarele măsuri, trebuie întotdeauna urmate pentru a reduce riscurile accidentelor grave și/sau defectării unității.

Vă rugăm citiți toate aceste instrucțiuni înainte de operarea acestui produs și păstrați-le pentru referințe viitoare.



**AVERTISMENT:** Această unealtă produce un câmp electromagnetic în timpul operării. În anumite condiții, acest câmp poate intra în interferență cu implanturi medicale active sau pasive. Pentru a reduce riscul accidentelor grave sau fatale, recomandăm ca persoanele cu implanturi medicale să consulte medicul și producătorul implantului medical înainte a opera această unealtă.

### Instruire

- Citiți cu atenție instrucțiunile. Familiarizați-vă cu comenzile și cu utilizarea corectă a echipamentului.
- Nu permiteți niciodată copiilor sau persoanelor care sunt nefamiliarizate cu aceste instrucțiuni să utilizeze mașina de tuns iarba. Reglementările locale pot restricționa vârsta operatorului.
- Nu folosiți mașina când în apropiere se află copii sau animale de companie.
- Amintiți-vă că utilizatorul este responsabil de accidentele sau situațiile neprevăzute antrenate de utilizarea mainii, cauzate altor persoane sau bunurilor acestora.

## Pregătire

- În timpul folosirii mainii, purtați întotdeauna o încălțăminte corespunzătoare (solidă) i pantaloni lungi. Nu folosiți maina cu picioarele goale sau cu sandale.
- Verificați cu atenție zona în care va fi operată mașina i îndepărtați toate obiectele care pot fi expulzate de mână.
- **AVERTISMENT**- Benzina este extrem de inflamabilă.
  - depozitați combustibilul în containere special concepute în acest scop;
  - efectuați reumplerea cu combustibil doar în exterior și nu fumați în timpul reumplerii;
  - adăugați combustibil înaintea de pornirea motorului. Nu scoateți niciodată capacul rezervorului de combustibil și nu adăugați benzină în timp ce motorul este pornit sau dacă acesta este fierbinte;
  - dacă benzina este vărsată, nu încercați să porniți motorul și mutați mașina la distanță de zona respectivă, evitând crearea oricăror surse de aprindere până când vaporii de benzină s-au disipat;
  - remontați în mod corect toate capacele containerelor și rezervorului de combustibil.
- Înlocuiți amortizoarele defecte.
- Înainte de utilizare, inspectați întotdeauna vizual pentru a verifica dacă lamele, șuruburile de lamă sau ansamblul de cuțite nu sunt uzate sau deteriorate. Înlocuiți toate lamele i uruburile deteriorate sau uzate pentru a menține echilibrarea mainii.

## Operare

- Nu operați motorul într-un spațiu închis în care există pericolul colectării unor fumuri toxice de monoxid de carbon.
- Operați mașina doar la lumina zilei sau la o lumină artificială puternică.
- Evitați operarea echipamentului pe iarbă udă, dacă acest lucru este posibil.
- Acordați atenție atunci când vă deplasați pe suprafețe înclinate.
- Nu alergați.
- Pentru mașini rotative cu roți, tundeți iarba de-a lungul pantei, niciodată în sus sau în jos.
- Acordați atenție maximă atunci când schimbați direcția pe curbe.
- Nu tundeți iarba pe o pantă excesiv de abruptă.
- Acordați o atenție maximă atunci când întoarceți sau trageți mașina spre dumneavoastră.
- Fixați bine lama(ele) dacă maina trebuie înclinată pentru transport, atunci când treceți cu maina peste suprafețe fără iarbă, sau atunci când transportați mașina de tuns la sau de la locul de tuns iarba.
- Nu operați niciodată maina cu protecțiile defecte, sau fără dispozitivele de siguranță, cum ar fi deflectorul și/sau separatorul de iarbă.
- Nu modificați setările limitatorului de turație și nu suprasolicitați motorul.
- Decuplați toate lamele și ambreiajele înainte de pornirea motorului.
- Porniți motorul cu atenție conform instrucțiunilor, cu picioarele la distanță de lamă(e).
- Nu înclinați mașina de tuns iarba la pornirea motorului.
- Nu porniți motorul când vă aflați în fața jghebului de descărcare.

- Nu apropiați mâinile sau picioarele de componentele rotative. Păstrați permanente distanța față de orificiul de descărcare.
- Nu ridicați i nu transportați maina cu motorul în funcțiune.
- Opriti motorul și deconectați conductorul bujiei, asigurați-vă că toate componentele mobile s-au oprit complet și, dacă este prevăzută o cheie, scoateți cheia:
  - înainte de a elimina blocajele sau a desfunda jghebul;
  - înainte de a controla, curăța sau lucra cu maina de tuns iarba;
  - după ce ați lovit cu maina un obiect străin. Verificați eventualele daune i efectuați reparațiile necesare, înainte de a repune în funcțiune și opera mașina;
  - dacă mașina de tuns iarba începe să vibreze în mod anormal (verificați imediat).
- Opriti motorul și deconectați conductorul bujiei, asigurați-vă că toate componentele mobile s-au oprit complet și, dacă este prevăzută o cheie, scoateți cheia:
  - de fiecare dată când lăsați mașina de tuns iarba nesupravegheată;
  - înaintea realimentării.
- Reduceți setarea de accelerație în timpul opririi motorului și, dacă motorul este prevăzută cu un ventil de închidere, opriți alimentarea cu combustibil la încheierea operației de tuns iarba.
- Utilizați mașina de tuns iarba doar în scopul pentru care a fost concepută, pentru tăierea și colectarea ierbii. Orice altă utilizare poate fi periculoasă, cauzând defectarea mașinii.

## Întreținere și depozitare

- Mențineți uruburile, bolțurile i piulițele strânse, pentru a vă asigura că maina este în condiții bune de funcționare.
- Nu depozitați niciodată echipamentul cu benzină în rezervor în interiorul unei clădiri în care fumurile pot intra în contact cu scântei sau flăcări deschise.
- Permiteți răcirea motorului înaintea depozitării în incinte.
- Pentru a reduce pericolul de incendii, păstrați motorul, amortizorul, compartimentul bateriei și zona de depozitare a benzinei libere de iarbă, frunze sau unsoare excesivă.
- Controlați frecvent ca separatorul de iarbă să nu fie deteriorat sau uzat.
- Pentru siguranță, înlocuiți componentele defecte sau uzate.
- În cazul golirii rezervorului de combustibil, această operație trebuie efectuată în exterior.



**AVERTISMENT:** Nu atingeți lama rotativă.



**AVERTISMENT:** Efectuați reumplerea într-o zonă bine ventilată și cu motorul oprit.

## 3. DESCRIEREA COMPONENTELOR (Fig. 1 și 2)

### Inclusiv

A: Cheie de bujii

B: Pană de protecție

## 4. DATE TEHNICE

| Model                               | PLM4621                    | PLM4622                     |
|-------------------------------------|----------------------------|-----------------------------|
| Tip motor                           | Seria B&S 650E, ReadyStart | Seria B&S 675EX, ReadyStart |
| Autopropulsare                      | Da                         | Da                          |
| Capacitate cilindrică               | 190 cc                     | 190 cc                      |
| Lățime lamă                         | 460 mm                     | 460 mm                      |
| Ralanti                             | 2.800/min                  | 2.800/min                   |
| Capacitate rezervor de combustibil  | 1,0L                       | 1,0L                        |
| Capacitate rezervor de ulei         | 0,6L                       | 0,6L                        |
| Capacitate sac de iarbă             | 60L                        | 60L                         |
| Greutate netă                       | 33,8 kg                    | 35,4 kg                     |
| Reglare înălțime                    | 20-75 mm, reglare 5        | 20-75 mm, reglare 5         |
| Zgomot conform EN836                |                            |                             |
| Nivel presiune sonoră ( $L_{pA}$ ): | 81,5 dB (A)                | 83,1 dB (A)                 |
| Nivel putere sonoră ( $L_{wA}$ ):   | 93,1 dB (A)                | 92,3 dB (A)                 |
| Eroare (K):                         | 2,41 dB (A)                | 2,75 dB (A)                 |
| Vibrații conform EN836              |                            |                             |
| Nivel de vibrații ( $a_n$ ):        | 6,4 m/s <sup>2</sup>       | 7,5 m/s <sup>2</sup>        |
| Eroare (K):                         | 1,5 m/s <sup>2</sup>       | 1,5 m/s <sup>2</sup>        |

## 5. ASAMBLARE

### 5-1 ASAMBLAREA MÂNERULUI PLIABIL

- Fixați barele de manevrare inferioare în carcasa unității cu buloanele de blocare în modul indicat. (Fig. 3, Fig. 4, Fig. 5, Fig. 6)
- Eliberați barele de manevrare superioare pentru pliere. Conectați mânerul superior și mânerul inferior cu bulonul de blocare. (Fig. 7, Fig. 8)
- Poziționați toate cablurile peste axul mânerului. Prindeți cablurile în jurul mijlocului mânerului inferior cu ajutorul clemei de cablu, astfel încât cablurile să fie fixate în exteriorul mașinii. În caz contrar, cablurile pot fi prinse în deschiderea/închiderea capacul posterior sau forțate de plierea mânerului superior. (Fig. 9)

### 5-2 ASAMBLAȚI SEPARATORUL DE IARBĂ

- Pentru montare: Ridicați capacul posterior și cuplați separatorul de iarbă pe arborele din partea din spate a mașinii. (Fig. 10, Fig. 11)
- Pentru demontare: Prindeți și ridicați capacul posterior, scoateți separatorul de iarbă.

### 5-3 MANETĂ DE PORNIRE

Mutați maneta de pornire de la motor spre ghidajul de cablu. (Fig. 12, Fig. 13)

### 5-4 ÎNĂLȚIMEA DE TĂIERE

Aplicați o presiune din exterior pentru a decupla pârghia de la cadru. Mutați pârghia înainte sau înapoi pentru a regla înălțimea. (Fig. 14 și consultați clauza 8-9)

## 6. REGLARE PENTRU O ÎNĂLȚIME CORESPUNZĂTOARE

- Scoateți boltul de blocare cu care ați fixat mânerul inferior, consultați Fig. 15.

- Consultați Fig. 16, mutați mânerul inferior în sus sau jos, reglați-l la înălțimea corespunzătoare. Există 3 înălțimi de reglare care pot fi alese pentru acest tip de mașină de tuns iarba, la înălțimea 1 mânerul inferior are poziția cea mai ridicată față de sol, iar la înălțimea 3 - poziția cea mai joasă.
- Reglați la înălțimea corectă, apoi fixați mânerul inferior cu bolțurile de blocare.



**AVERTISMENT:** Partea stângă și partea dreaptă a mânerului inferior trebuie reglate la aceeași înălțime.

## 7. MAȘINĂ DE TUNS IARBA PENTRU MULCIRE

Ce înseamnă mulcire?

La mulcire, iarba este tăiată într-o etapă de lucru, apoi este mărunțită și returnată pe gazonul de iarbă ca fertilizator natural.

Indicații pentru mulcire:

- Retezare normală la max. 2 cm, de la o înălțime a ierbiilor de 6 cm la 4 cm.
- Utilizați un cuțit de tăiere ascuțit.
- Nu tundeți iarbă udă.
- Setați turația maximă a motorului.
- Deplasați-vă doar în spațiul de lucru.
- Curățați în mod regulat pana de mulcire, partea interioară a carcasei și lama de tăiere.



**AVERTISMENT:** Doar cu motorul oprit și cuțitul staționar.

- Ridicați capacul posterior și scoateți separatorul de iarbă;
- Apăsăți pana de mulcire în punte. Blocați pana de mulcire cu butonul în deschiderea punții. (Fig. 17, Fig. 18)
- Coborâți din nou capacul posterior.

## 8. INSTRUCȚIUNI DE OPERARE

### 8-1 ÎNAINTEA PORNIRII

Efectuați operațiunile de service ale motorului cu benzină și ulei, conform instrucțiunilor din manualul de motor separat livrat cu mașina dumneavoastră de tuns iarba. Citiți cu atenție instrucțiunile.



**AVERTISMENT:** Benzina este extrem de inflamabilă. Depozitați combustibilul în containere special concepute în acest scop.

Efectuați reumplerea cu combustibil doar în exterior, înainte de a porni motorul și nu fumați în timpul realimentării sau manevrării combustibilului.

Nu scoateți niciodată capacul rezervorului de combustibil și nu adăugați benzină în timp ce motorul este pornit sau dacă acesta este fierbinte.

Dacă benzina este vărsată, nu încercați să porniți motorul și mutați mașina la distanță de zona respectivă, evitând crearea oricăror surse de aprindere până când vaporii de benzină s-au disipat.

Remontați în mod corect toate capacele containerelor și rezervorului de combustibil.

Înainte de a răsturna mașina de tuns iarba pentru întreținerea lamei sau evacuarea uleiului, goliiți combustibilul din rezervor.



**AVERTISMENT:** Nu umpleți niciodată cu combustibil în interior, cu motorul pornit și lăsați motorul să se răcească cel puțin 15 minute după operare.

### 8-2 PENTRU A PORNII MOTORUL ȘI CUPLA LAMA

- Unitatea este prevăzută cu o protecție din cauciuc pe capătul bujiei, asigurați-vă că bucla metalică de la capătul conductorului bujiei (din interiorul protecției din cauciuc) este fixată sigur pe vârful metalic al bujiei.
- Când porniți motorul rece, comutați maneta de turație motor la poziția "☁". Când porniți motorul cald și în operare, comutați maneta de turație motor la poziția "☁". (Fig. 19)
- Stând în spatele mașinii, apucați maneta de control oprire și mențineți poziția acesteia pe mânerul superior, conform Fig. 20.
- Apucați maneta de pornire în modul indicat în Fig. 20 și trageți rapid în sus. Reduceți maneta la bolțul ghidajului de cablu după pornirea motorului. Eliberați maneta de control oprire pentru a opri motorul și lama.



Porniți motorul cu atenție conform instrucțiunilor, cu picioarele la distanță de lamă.



Nu înclinați mașina de tuns iarba la pornirea motorului. Porniți mașina de tuns iarba pe o suprafață plană, liberă de iară înaltă sau obstacole.



Țineți mâinile și picioarele la distanță de componentele care se rotesc. Nu porniți motorul când vă aflați în fața orificiului de descărcare.

### 8-3 PROCEDURI DE OPERARE

În timpul operării, țineți strâns maneta de control oprire cu ambele mâini.



**Notă:** În timpul operării, când maneta de control oprire este eliberată, motorul se va opri, oprind astfel și operarea mașinii de tuns iarba.

### 8-4 PENTRU A OPRI MOTORUL



**ATENȚIE:** Lama continuă să se rotească timp de câteva secunde după oprirea motorului.

- Eliberați maneta de control oprire pentru a opri motorul și lama.
- Deconectați și legați la masă conductorul bujiei conform instrucțiunilor din manualul separat de motor, pentru a preveni pornirea accidentală când echipamentul este lăsat nesupravegheat.

### 8-5 CONEXIUNE PENTRU MIȘCARE AUTOMATĂ

#### Pentru PLM4621

Prindeți mânerul de comandă pentru acționare automată, mașina de tuns iarba se va deplasa automat înainte cu aproximativ 1 m/s, iar dacă eliberați mânerul pentru acționare automată, motorul se va opri.

#### Pentru PLM4622

Mașina este prevăzută cu un sistem de reglare a vitezei, care poate regla 3 viteze, de la 3 km/h la 4,5 km/h.

Procedați în modul următor:

- Eliberați mânerul de comandă pentru acționare automată până când mașina de tuns iarba nu mai înaintează.
- Reglați viteza dorită.
- Prindeți mânerul de comandă pentru acționare automată pentru a continua operația de tundere a ierbii. (Fig. 21)



**ATENȚIE:** Mașina dumneavoastră de tuns iarba este concepută pentru a tăia iarba rezidențială obișnuită, nu mai înaltă de 250 mm.

Nu încercați să tundeți iarba uscată foarte înaltă sau iarba umedă (de exemplu, pășune), sau grămezi de frunze uscate. Reziduurile se pot acumula pe puntea mașinii sau pot intra în contact cu teava de eșapament a motorului, apărând pericolul incendiilor.

### 8-6 PENTRU OBȚINEREA UNOR REZULTATE CÂT MAI BUNE LA MULCIRE

Curățați peluza de reziduuri. Asigurați-vă că peluza este liberă de pietre, bețe, sârme sau alte obiecte străine care ar putea fi proiectate accidental de mașina de tuns iarba cauzând răni grave ale operatorului și ale persoanelor din jur și aducând daune proprietății și obiectelor din jur. Nu tăiați iarba udă. Pentru o mulcire cât mai eficientă, nu tăiați iarba udă, deoarece aceasta are tendința de a se lipi de partea inferioară a punții, împiedicând mulcirea corectă a ierbii tăiate. Nu tăiați mai mult de 1/3 din lungimea ierbii.

Tăierea recomandată pentru mulcire este de 1/3 din lungimea ierbii. Viteza de deplasare va trebui reglată astfel încât iarba tăiată să fie corect distribuită pe peluză. În special pentru tăieri dificile în iarbă deasă, poate fi necesară utilizarea celei mai reduse turații, pentru a obține o mulcire corectă și curată. La mulcirea ierbii înalte este posibil să fie necesară tunderea peluzei în două ture, coborând lama cu încă 1/3 din lungime pentru cea de-a doua tăiere, precum și tăierea cu un model diferit de cel utilizat la prima tăiere.

Suprapunerea tăierii la fiecare trecere va ajuta, de asemenea, la curățarea oricăror secțiuni de iarbă împrăștiate pe peluză. Mașina de tuns iarba trebuie întotdeauna operată la accelerație maximă pentru a obține cea mai bună tăiere și pentru a permite o operație de mulcire cât mai eficientă. Curățați partea inferioară a punții.

Asigurați-vă că ați curățat partea inferioară a punții de tăiere după fiecare utilizare pentru a evita acumulările de iarbă, care ar putea împiedica mulcirea corectă. Mulcirea frunzelor. Mulcirea frunzelor poate fi, de asemenea, benefică pentru peluza dumneavoastră. La mulcirea frunzelor, asigurați-vă că acestea sunt uscate și nu formează un strat prea gros pe peluză. Nu așteptați căderea tuturor frunzelor din copaci înainte de mulcire.



**AVERTISMENT:** Dacă loviți un obiect străin, opriți motorul. Îndepărtați conductorul de la bujie, verificați cu atenție mașina de tuns iarba pentru a identifica orice eventuale defecțiuni și remediați-le înainte de a reporni și opera mașina. Vibrațiile excesive ale mașinii de tuns iarba în timpul operării reprezintă o indicație a unui defect. Unitatea trebuie verificată și operată imediat.

## 8-7 SEPARATOR DE IARBĂ

Goliți și curățați sacul, asigurându-vă că acesta este curat și că plasa este ventilată. (Fig. 22)

## 8-8 PUNTE

Partea inferioară a punții mașinii de tuns iarba trebuie curățată după fiecare utilizare pentru a preveni acumularea ierbii tăiate, frunzelor, mizeriei și a altor materii străine. În cazul acumulărilor de reziduuri, acestea vor duce la rugină și coroziune, împiedicând mulcirea corectă. Puntea poate fi curățată prin înclinarea mașinii de tuns iarba și răzuirea cu un instrument adecvat (asigurați-vă că ați deconectat conductorul bujiei).

## 8-9 INSTRUCȚIUNI DE REGLARE A ÎNĂLȚIMII



**ATENȚIE:** Nu încercați niciodată să efectuați reglaje ale mașinii de tuns iarba fără a opri mai întâi motorul și a deconecta conductorul bujiei.



**ATENȚIE:** Înainte de modificarea înălțimii de tăiere, opriți mașina de tuns iarba și deconectați cablul bujiei. Mașina dumneavoastră de tuns iarba este prevăzută cu o pârghie centrală de reglare a înălțimii, oferind 5 poziții de înălțime.

1. Opriți mașina de tuns iarba și deconectați cablul bujiei înainte de a modifica înălțimea de tăiere a mașinii.
2. Pârghia centrală de reglare a înălțimii vă oferă 5 poziții diferite de înălțime.
3. Pentru a modifica înălțimea de tăiere, strângeți maneta de reglare spre roată, mutând în sus sau în jos la înălțimea selectată (Fig. 23). Toate roțile vor avea aceeași înălțime de tăiere.

## 9. INSTRUCȚIUNI DE ÎNTREȚINERE

### BUJIE

Utilizați doar bujii de rezervă originale. Pentru cele mai bune rezultate, înlocuiți bujia la fiecare 100 de ore de utilizare. (consultați MANUALUL PROPRIETARULUI MOTORULUI)

## 10. INSTRUCȚIUNI DE LUBRIFIERE



**ATENȚIE:** DECONECTAȚI BUJIA ÎNAINTEA EFECTUĂRII OPERAȚIUNILOR DE SERVICE.

1. ROȚI-Lubrifiați rulmenții fiecărei roți cel puțin o dată pe sezon cu un ulei ușor.
2. MOTOR-Respectați instrucțiunile de lubrifiere din manualul motorului.
3. CONTROL LAMĂ-Lubrifiați punctele de pivotare de pe maneta de control al lamei și cablul de frână cel puțin o dată pe sezon, cu ulei ușor. Controlul lamei trebuie să opereze liber în ambele direcții.

## 11. CURĂȚARE



**ATENȚIE:** Nu stropiți motorul. Apa poate duce la defectarea motorului sau la contaminarea sistemului de combustibil.

1. Ștergeți puntea cu o cârpă uscată.
2. Stropiți cu furtunul partea de sub punte, înclinând mașina de tuns iarba, astfel încât bujia să fie orientată în sus.

### 11-1 FILTRU DE AER MOTOR




**ATENȚIE:** Nu permiteți mizeriei sau prafului să înfunde elementul filtrului de aer.




Elementul filtrului de aer al motorului trebuie curățat după fiecare 25 de ore de operare normală. Elementul de spumă al filtrului trebuie să beneficieze de întreținere regulată, dacă mașina de tuns iarba este folosită în condiții uscate și cu mult praf. (consultați MANUALUL PROPRIETARULUI MOTORULUI)


## Pentru a CURĂȚA FILTRUL DE AER

1. Scoateți șurubul.
2. Scoateți capacul.
3. Spălați elementul de filtru cu apă cu săpun. **NU UTILIZAȚI BENZINA!**
4. Uscați la aer elementul filtrului.
5. Aplicați câteva picături de ulei SAE30 pe filtrul cu spumă și strângeți ferm pentru a elimina orice ulei în exces.
6. Remontați filtrul.

 **NOTĂ:** Înlocuiți filtrul dacă este uzat, ros, deteriorat sau dacă nu poate fi curățat. (Fig. 24)

## 11-2 LAMĂ DE ȚIERE

 **ATENȚIE:** Asigurați-vă că ați deconectat și legat la masă conductorul bujiei înainte de a lucra pe lama de tăiere, pentru a preveni pornirea accidentală a motorului. Protejați-vă mâinile utilizând mănuși groase sau o cârpă pentru a apuca lamele de tăiere. Înclinați mașina de tuns iarba conform specificațiilor din manualul separat al motorului. Demontați șurubul hexagonal și șaiba care fixează lama și adaptorul de lamă la arborele cotit al motorului. Demontați lama și adaptorul de la arborele cotit.

 **AVERTISMENT:** Verificați periodic adaptorul de lamă pentru fisuri, în special dacă ați lovit un obiect străin. Înlocuiți, dacă este cazul.

Pentru cele mai bune rezultate, lama trebuie să fie ascuțită. Lama trebuie ascuțită din nou, prin demontarea ei și fie prin șlefuire, fie prin pilire a marginii de tăiere, încercând să păstrați oblicitatea originală. Este extrem de important ca fiecare margine de tăiere să beneficieze de același grad de șlefuire, pentru a preveni o lamă neechilibrată. Un echilibru incorect al lamei va duce la vibrații excesive, cauzând eventuale defecțiuni ale motorului și mașinii de tuns iarba. Asigurați-vă că echilibrați cu atenție lama după ascuțire. Lama poate fi testată pentru echilibru prin echilibrarea acesteia cu o șurubelniță de arbore rotund. Îndepărtați metalul de pe partea mai grea, până la balansarea uniformă. (Fig. 25) Înaintea reasamblării lamei și a adaptorului de lamă la unitate, lubrifiați arborele cotit al motorului și suprafața interioară a adaptorului de lamă cu ulei ușor. Montați adaptorul de lamă pe arborele cotit cu "steaua" la distanță de motor. Consultați Fig. 25. Amplasați lama cu numărul de piesă orientată în partea opusă a adaptorului. Aliniați șaiba peste lame și introduceți șurubul hexagonal. Strângeți șurubul hexagonal la cuplul listat mai jos.

## 11-3 CUPLU DE MONTARE LAMĂ

Șurubul central trebuie strâns la un cuplu de 35 - 45 Nm. Pentru a asigura operarea în siguranță a unității

dumneavoastră. TOATE piulițele și șuruburile trebuie verificate periodic pentru a fi strânse corect. După utilizare prelungită, în special în condiții cu sol nisipos, lama se va uza și își va pierde din forma originală. Eficiența tăierii se va reduce, iar lama va trebui înlocuită.

Înlocuiți doar cu o lamă de schimb originală aprobată. Posibilele defecțiuni care pot rezulta din cauza unei lame neechilibrate nu intră în responsabilitatea producătorului. Când schimbați lama, trebuie să utilizați tipul original marcat pe lamă (MAKITA 263001451) (pentru a comanda lama, vă rugăm să contactați distribuitorul local sau societatea noastră).



**AVERTISMENT:** Nu atingeți lama rotativă.

## 11-4 MOTOR

Consultați manualul separat al motorului pentru instrucțiuni de întreținere a motorului.

Întrețineți uleiul de motor conform instrucțiunilor din manualul separat al motorului furnizat cu unitatea dumneavoastră.

Citiți cu atenție și respectați instrucțiunile.

Efectuați service-ul filtrului de aer conform instrucțiunilor din manualul separat al motorului, în condiții de lucru normale. Efectuați curățarea la fiecare câteva ore de operare în condiții cu mult praf. O operare necorespunzătoare a motorului și încălzirea acestuia indică faptul că trebuie executat service-ul filtrului de aer. Pentru service-ul filtrului de aer, consultați manualul separat al motorului furnizat cu unitatea dumneavoastră. Bujia trebuie curățată, iar spațiul între electrozi resetat o dată pe sezon. Înlocuirea bujiei este recomandată la începutul fiecărui sezon de tăiere a ierbi; verificați manualul motorului pentru tipul corect de bujie și specificațiile de spațiu între electrozi.

Curățați motorul în mod regulat cu o cârpă sau o perie.

Păstrați curat sistemul de răcire (zona carcasei ventilatorului) pentru a permite o circulație corectă a aerului, esențială pentru durata de viață și operarea motorului. Asigurați-vă că ați îndepărtat reziduurile de iarbă, mizerie și combustibil din zona tobei de eșapament.

## 12. INSTRUCȚIUNI DE DEPOZITARE (ÎN AFARA SEZONULUI)

Trebuie urmate etapele de mai jos pentru a pregăti mașina de tuns iarba pentru depozitare.

1. După ultima tăiere a sezonului, goliiți rezervorul de combustibil.
2. Curățați și lubrifiați complet mașina de tuns iarba, conform instrucțiunilor de lubrifiere.
3. Consultați manualul motorului pentru instrucțiuni corecte de depozitare a motorului.
4. Acoperiți ușor lama de tăiere a mașinii cu unsoare de șasiu pentru a preveni rugină.
5. Depozitați mașina de tuns iarba într-o zonă curată și uscată.



**NOTĂ:**

- La depozitarea oricărui tip de echipament de alimentare într-o zonă de depozitare a materialelor sau o zonă neventilată;

- Trebuie să luați toate măsurile pentru a proteja echipamentul împotriva ruginii. Utilizând un ulei ușor sau silicon, acoperiți cu un strat echipamentul, în special cablurile și toate componentele mobile.
- Acordați atenție pentru a nu îndoi sau răsuci cablurile.
- În cazul în care cablul demarorului se deconectează de ghidajul de cablu de pe manetă, deconectați și legați la masă conductorul bujiei. Apăsăți maneta de control lamă și trageți ușor cablul de demaror din motor. Introduceți cablul demarorului în bolțul ghidajului de cablu de pe manetă.

## 13. DEPANARE

| PROBLEMĂ                                      | CAUZĂ PROBABILĂ   | AȘIUNE DE REMEDIERE  |
|---|---|--|
| Motorul nu pornește.                          | Clapeta de accelerație nu se află în poziția corectă pentru condițiile date.              | Mutați clapeta de accelerație în poziția corectă.  |
|   | Rezervorul de combustibil este gol.   | Umpleți rezervorul cu combustibil: consultați MANUALUL PROPRIETARULUI MOTORULUI.   |
|   | Elementul filtrului de aer este uscat.  | Curățați elementul filtrului de aer: consultați MANUALUL PROPRIETARULUI MOTORULUI.   |
|   | Bujia nu este strânsă suficient.  | Strângeți bujia la 25 - 30 Nm.   |
|   | Conductorul bujiei este slăbit sau deconectat de la bujie.                                | Montați conductorul la bujie.  |
|   | Spațiul bujiei este incorect.   | Stabiliți spațiul între electrozi la 0,7 - 0,8 mm.   |
|   | Bujia este defectă.   | Instalați o bujie nouă, cu spații corecte între electrozi: consultați MANUALUL PROPRIETARULUI MOTORULUI.   |
|   | Carburatorul este inundat cu combustibil.   | Demontați elementul filtrului de aer și trageți continuu cablul demarorului până când carburatorul se curăță, apoi instalați elementul filtrului de aer. |
| Motorul pornește greu sau pierde putere.      | Modul de aprindere defect.  | Contactați centrul de service autorizat Makita.  |
|   | Mizeri, apă sau rezervorul de combustibil înfundat.                                       | Evacuați combustibilul și curățați rezervorul. Umpleți rezervorul cu combustibil proaspăt, curat.  |
|   | Orificiul de aerisire din capacul rezervorului de combustibil este înfundat.              | Curățați sau înlocuiți capacul rezervorului de combustibil.  |
| Motorul operează neregulat.                   | Elementul filtrului de aer este murdar.   | Curățați elementul filtrului de aer.   |
|   | Bujia este defectă.   | Instalați o bujie nouă, cu spații corecte între electrozi: consultați MANUALUL PROPRIETARULUI MOTORULUI.   |
|   | Spațiul bujiei este incorect.   | Stabiliți spațiul între electrozi la 0,7 - 0,8 mm.   |
| Ralantiul motorului este incorect.            | Elementul filtrului de aer este murdar.   | Curățați elementul filtrului de aer: consultați MANUALUL PROPRIETARULUI MOTORULUI.   |
|   | Orificiile de aer din carcasa motorului sunt blocate.                                     | Îndepărtați reziduurile din orificii.  |
|   | Căile de aer și nervurile de răcire de sub carcasa ventilatorului motorului sunt blocate. | Îndepărtați reziduurile din căile de aer și nervurile de răcire.   |
| Motorul prezintă rateuri la turație ridicată. | Spațiul dintre electrozii bujiei este prea mic.   | Stabiliți spațiul între electrozi la 0,7 - 0,8 mm.   |
| Motorul se supraîncălzește.                   | Curentul de aer de răcire este obstrucționat.   | Îndepărtați reziduurile din sloturile carcasei, din carcasa ventilatorului și din căile de aer.  |
|   | Bujie incorectă.  | Montați nervurile de răcire și bujia RJ19LMC pe motor.   |
| Mașina de tuns iarba vibrează anormal.        | Ansamblul de tăiere nu este strâns suficient.   | Strângeți lama.  |
|   | Ansamblul de tăiere nu este echilibrat.   | Echilibrați lama.  |

## 14. MEDIU

În cazul în care mașina dumneavoastră necesită înlocuire după o utilizare extinsă, vă rugăm nu o depuneți la gunoiul menajer, ci respectând reglementările de protecție a mediului înconjurător.

**Numai pentru țările europene**

**Declarație de conformitate CE**

**Noi, Makita Corporation, ca producător responsabil, declarăm că următoarea(le) unealtă(e) Makita:**

Denumirea utilajului: Mașină de tuns iarba pe bază de benzină

Nr. model/Tip: PLM4621, PLM4622

Specificații: Consultați "4. Date tehnice"

sunt produse de serie și

**sunt în conformitate cu următoarele Directive**

**Europene:**

2006/42/EC, 2004/108/EC,

2000/14/EC și 2005/88/EC

Și sunt fabricate în conformitate cu următoarele standarde sau documente standardizate:

EN836, EN ISO14982

Documentația tehnică este în posesia reprezentantului nostru autorizat în Europa care este:

Makita International Europe Ltd.,

Michigan, Drive, Tongwell,

Milton Keynes, MK15 8JD, Anglia

Procedura de evaluare a conformității cerută de Directiva 2000/14/CE s-a efectuat în conformitate cu anexa VI.

Organism notificat:

TÜV SÜD Industrie Service GmbH

Westendstraße 199, D-80686 München

Număr de identificare: 0036

Model PLM4621

Nivel putere acustică măsurată: 93,1 dB

Nivel putere acustică garantată: 96 dB

Model PLM4622

Nivel putere acustică măsurată: 92,3 dB

Nivel putere acustică garantată: 96 dB

11. 11. 2011



Tomoyasu Kato

Director

Makita Corporation

3-11-8, Sumiyoshi-cho,

Anjo, Aichi, JAPAN

## Bendrasis aprašymas

- |                               |                                |                                 |
|-------------------------------|--------------------------------|---------------------------------|
| 1. Viršutinė rankena          | 6. Troso kreiptuvas            | 11. Degalų bako dangtelis       |
| 2. Sustabdymo valdymo rankena | 7. Maišas žolei                | 12. Alyvos bako dangtelis       |
| 3. Saviegos valdymo rankena   | 8. Aukščio reguliavimo svirtis | 13. Kabelio laikiklis           |
| 4. Variklio apsučių svirtis   | 9. Dugnas                      | 14. Fiksavimo rankenėlė         |
| 5. Starterio rankena          | 10. Žvakė                      | 15. Greičio reguliavimo svirtis |



### ĮSPĖJIMAS

Savo pačių saugumui prieš pradėdami naudoti šį naują prietaisą, atidžiai perskaitykite šią instrukciją. Nesilaikant šios instrukcijos, galima sunkiai susižeisti. Prieš pradėdami naudoti žoliapjovę, skirkite šiek tiek laiko susipažinti su ja.

## 1. ANT GAMINIO PAŽYMĖTI ŽENKLAI



Perskaitykite vartotojo vadovą.



Neleiskite artyn pašalinių asmenų.



Naudodami žoliapjovę, kreipkite daugiau dėmesio į rankas ir kojas, kad išvengtumėte susižeidimų.



Nuodingos išmetamosios dujos; Nenaudokite uždaroje patalpose.



Degalai yra degūs - saugokite nuo ugnies. Nepilkite degalų į veikiančį įrenginį.



Pjaudami žolę, dėvėkite apsauginius akinius ir ausų kištukus.



Atlikdami remonto darbus, ištraukite uždegimo žvakę ir taisykite įrenginį, kaip nurodyta naudojimo instrukcijoje.



Perspėjimas: Variklis labai įkaista.



Norėdami išjunkite variklį, atleiskite jungiklio rankeną.



Norėdami važiuoti į priekį, paaimkite už saviegos valdymo rankenos.

## 2. BENDROŠIOS SAUGOS TAISYKLĖS



**ĮSPĖJIMAS:** Naudodami benzininius įrankius, visuomet laikykitės būtinų saugos priemonių, įskaitant toliau nurodytą, kad sumažintumėte sunkaus susižeidimo ir (arba) žalos įrenginiui pavojų. Prieš pradėdami naudoti šį gaminį, perskaitykite visą instrukciją ir išsaugokite ją, kad galėtumėte ja pasinaudoti vėliau.



**ĮSPĖJIMAS:** Šis įrenginys darbo metu sukuria elektromagnetinį lauką. Esant tam tikroms sąlygoms, šis laukas gali sutrikdyti aktyvių arba pasyvių medicininių implantų darbą. Norint sumažinti sunkių arba mirtinų sužeidimų pavojų, rekomenduojame, kad asmenys, turintys medicininių implantų, prieš pradėdami naudoti šį įrenginį, pasitartų su savo fizioterapeutas ir medicininių implantų gamintojais.

### Mokymas

- Atidžiai perskaitykite instrukciją. Nuodugniai susipažinkite su valdikliais ir kaip tinkamai naudoti šį įrenginį.
- Niekuomet neleiskite, kad šią vejąpovę naudotų vaikai arba su šia instrukcija nesusipažinę žmonės. Operatoriaus amžius gali būti reglamentuojamas vietinių įstatymų.
- Niekuomet nepjunkite žolės, jei netoliese yra žmonių, ypač vaikų ar naminių gyvūnų.
- Prisiminkite, kad operatorius yra atsakingas už nelaimingus atsitikimus ar nelaimes, atsitikusias kitiems žmonėms arba jų turtui padarytą žalą.

## Paruošimas

- Pjaudami visuomet avėkite tvirtą avalynę ir dėvėkite ilgias kelnes. Neekspluatuokite įrangos basomis ar avėdami atvirus sandalus.
- Kruopščiai apžiūrėkite vietą, kurioje naudosite įrengimą, ir pašalinkite visus odaiktus, kuriuos mašina galėtų nusviesti.
- ĮSPĖJIMAS- Benzinas yra nepaprastai degus.
  - laikykite benzina talpose, skirtose specialiai šiam tikslui;
  - degalus į baką pilkite tik lauke ir, pildami degalus, nerūkykite;
  - degalų pilkite prieš užvesdami variklį. Niekuiomet neatsukite degalų bako dangtelio ir nepilkite degalų, kai variklis veikia arba kai variklis yra įkaitęs;
  - išsiipylus degalams, nbandykite užvesti variklio, tik patraukite mašiną šalin nuo degalų išsiliejimo vietos ir venkite sukurti kokį nors uždegimo šaltinį, kol degalų garai neišsisiklaidys;
  - saugiai užsukite visus degalų bako ir talpyklų dangtelius.
- Pakeiskite sugedusius slopintuvus.
- Prieš pradėdami naudoti vejąpovę, visuomet apžiūrėkite ir patikrinkite, ar nesusidėvėję ar neapgadinti peiliai, peilių varžtai ir pjoviklio mechanizmas. Pakeiskite visus peilių ir varžtų komplektus, ne tik susidėvėjusius ar apgadintus peilius ir varžtus, kad būtų išlaikyta pusiausvyra.

## Veikimas

- Nejunkite variklio uždarose patalpose, kuriose gali susikaupti pavojingų anglies viendeginio dujų.
- Žolę pjaukite tik dienos metu arba esant geram dirbtiniam apšvietimui.
- Jei įmanoma, venkite pjauti šlapią žolę.
- Dirbdami nuokalnėse, visada tvirtai stovėkite ant žemės.
- Vaikščiokite, o ne bėgiokite.
- Naudodami ratines rotacines mašinas, pjaukite žolę skersai nuokalnių; niekada nepjaukite aukštyn-žemyn.
- Keisdami kryptis nuokalnėse, būkite itin atsargūs.
- Nepjaukite žolės pernelyg stačiose nuokalnėse.
- Būkite itin atsargūs važiuodami atbuline eiga arba traukdami žoliapovę link savęs.
- Sustabdykite peilį(-ius), jeigu žoliapovę reikia paversti, kad ją galima būtų perkelti per žolę neapaugusius paviršius, ir gabenant žoliapovę iš ir į žolės pjovimo vietą.
- Niekada neekspluatuokite žoliaprovės su pažeistais apsauginiais skydais arba be tinkamai sumontuotų saugos įtaisų, pavyzdžiui, kreiptuvų ir (arba) žolės gaudyklių.
- Nekeiskite variklio kontrolės regulatoriaus nustatymų ir neviršykite variklio apsuokų.
- Prieš užvesdami variklį, atjunkite visus peilius ir pavarų sankabas.
- Atsargiai užveskite variklį, kaip nurodyta instrukcijoje; pėdos turi būti pakankamu atstumu nuo peilio (-ių).
- Užvesdami variklį, nepaverskite žoliaprovės.
- Neužveskite variklio stovėdami priešais išmetimo lataką.

- Nekiškite rankų ar kojų artyn prie besisukančių dalių arba po jomis. Visada stovėkite atokiai nuo sniego išmetimo angos.
- Niekada nekelkite ir neneškite žoliaprovės, kai variklis veikia.
- Išjunkite variklį ir atjunkite uždegimo žvakės laidą; palaukite, kol visos judamosios dalys visiškai sustos ir, jei įkištas užvedimo raktelis, ištraukite jį:
  - prieš pradėdami valyti užsikimšimus ar prieš atkimšdami išmetimo lataką;
  - prieš atlikdami žoliaprovės patikrą, valymo arba remonto darbus;
  - atsitrenkę į kokį nors daiktą. Prieš vėl užvesdami ir naudodami vejąpovę, patikrinkite, ar nėra gedimų, ir, jeigu reikia, pataisykite;
  - jeigu žoliaprovė pradeda neįprastai vibruoti (patikrinkite nedelsdami).
- Išjunkite variklį ir atjunkite uždegimo žvakės laidą; palaukite, kol visos judamosios dalys visiškai sustos ir, jei įkištas užvedimo raktelis, ištraukite jį:
  - jei tik paliekate žoliapovę be priežiūros;
  - prieš pripildami degalų.
- Sumažinkite droselinės sklendės atidarymo nustatymą variklio išilimo metu, jei variklyje yra įrengtas išjungimo vožtuvas; pabaigę pjauti žolę, išjunkite degalų padavimą.
- Naudokite vejąpovę tik pagal paskirtį - žolei pjauti ir surinkti. Naudojant ją bet kokiems kitiems tikslams, gali kilti pavojų arba gali būti sugadinta pati mašina.

## Techninė priežiūra ir įrenginio saugojimas

- Visos veržlės, varžtai ir sraigčiai turi būti tvirtai prisukti, kad būtų užtikrintos saugios įrenginio darbo sąlygos.
- Niekuiomet nelaikykite įrenginio, kurio bake yra benzino, patalpoje, kur degalų garai galėtų pasiekti atvirą liepsną ar kibirkštį.
- Prieš pastatydami mašiną bet kurioje uždaroje patalpoje, leiskite varikliui ataušti.
- Norint sumažinti gaisro pavojų, žoliaprovės variklyje, duslintuve, akumulatoriaus bloke ir benzino saugojimo vietoje neturi būti žolės, lapų ar pernelyg daug tepalo.
- Dažnai tikrinkite žolės gaudyklę, ar ji nesusidėvėjusi ir ar tinkamai veikia.
- Saugos sumetimais, pakeiskite susidėvėjusias ar apgadintas dalis.
- Jeigu reikia ištuštinti degalų baką, tai reikia daryti lauke.



**ĮSPĖJIMAS:** Nelieskite besisukančio peilio.



**ĮSPĖJIMAS:** Pilkite degalus gerai vėdinamoje vietoje, išjungę variklį.

## 3. DALIŲ APRAŠYMAS (1 ir 2 pav.)

### Įskaitant

- A: Uždegimo žvakės veržliaraktis
- B: Mulčiavimo pleištas

## 4. TECHNINIAI DUOMENYS

| Modelis                                | PLM4621                     | PLM4622                      |
|--|-----------------------------|------------------------------|
| Variklio tipas                         | B&S 650E serija, ReadyStart | B&S 675EX serija, ReadyStart |
| Savaeigis                              | Ne                          | Ne                           |
| Variklio tūris                         | 190 cc                      | 190 cc                       |
| Peilio plotis                          | 460 mm                      | 460 mm                       |
| Tuščioji eiga                          | 2 800 /min                  | 2 800 /min                   |
| DeGalų bako talpa                      | 1,0 l                       | 1,0 l                        |
| Alyvos bako talpa                      | 0,6 l                       | 0,6 l                        |
| Žolės gaudyklės maišo talpa            | 60 l                        | 60 l                         |
| Grynasis svoris                        | 33,8 kg                     | 35,4 kg                      |
| Aukščio reguliavimas                   | 20-75 mm, 5 nustatymai      | 20-75 mm, 5 nustatymai       |
| Triukšmo lygis pagal standartą EN836   |                             |                              |
| Garso slėgio lygis ( $L_{pA}$ ):       | 81,5 dB (A)                 | 83,1 dB (A)                  |
| Garso galios lygis ( $L_{WA}$ ):       | 93,1 dB (A)                 | 92,3 dB (A)                  |
| Paklaida (K):                          | 2,41 dB (A)                 | 2,75 dB (A)                  |
| Vibracijos lygis pagal standartą EN836 |                             |                              |
| Vibracijos emisija ( $a_{H1}$ ):       | 6,4 m/s <sup>2</sup>        | 7,5 m/s <sup>2</sup>         |
| Paklaida (K):                          | 1,5 m/s <sup>2</sup>        | 1,5 m/s <sup>2</sup>         |

## 5. MONTAVIMAS

### 5-1 SUDEDAMOS RANKENOS MONTAVIMAS

- A) Fiksavimo rankenėlemis pritvirtinkite apatines rankenas prie įrenginio korpuso kaip parodyta. **(3 pav., 4 pav., 5 pav., 6 pav.)**
- B) Norėdami sudėti rankeną, atlaisvinkite viršutinius rankenų strypus. Sujunkite viršutinę ir apatinę rankenas, naudodami fiksavimo rankenėlę. **(7 pav., 8 pav.)**
- C) Nutieskite visus kabelius virš rankenų ašių. Pritvirtinkite juos kabelio spaustuku ties apatinių rankenų viduriu, kad kabeliai būtų užfiksuoti išorinėje mašinos dalyje. Kitaip kabeliai gali būti prispausti atidarant/uždarant galinį gaubtą, arba nutraukti sulenkiant viršutinę rankeną. **(9 pav.)**

### 5-2 ŽOLĖS GAUDYKLĖS MONTAVIMAS

1. Norėdami pritvirtinti: Pakelkite galinį gaubtą ir prikabinkite žolės gaudyklę prie žoliapjovės galo ašies. **(10 pav., 11 pav.)**
2. Norėdami nuimti: Suimkite ir pakelkite galinį gaubtą, nuimkite žolės gaudyklę.

### 5-3 STARTERIO RANKENA

Patraukite starterio rankeną nuo variklio link trosu kreiptuvo. **(12 pav., 13 pav.)**

### 5-4 PJOVIMO AUKŠTIS

Patraukite išorėn, kad atkabintumėte svirtį nuo krumpliatriebio. Stumkite svirtį pirmyn arba atgal, kad nustatytumėte aukštį. **(14 pav. ir žr. 8-9 punkta)**

## 6. TINKAMO AUKŠČIO NUSTATYMAS

- 1) Atlaisvinkite fiksavimo rankenėlę, tvirtinančią apatinę rankeną; žr. **15 pav.**
- 2) Žr. **16 pav.**; stumkite apatinę rankeną aukštyn arba žemyn, kad nustatytumėte ją tinkamame aukštyje. Šios tipo vejapjovėje yra 3 aukščio nustatymo padėties; pasirinkus 1 aukščio nustatymą, apatinę rankeną bus nustatyta aukščiausiai žemės paviršiaus atžvilgiu, o pasirinktus 3 aukščio nustatymą - žemiausiai.
- 3) Nustatykite tinkamą aukštį, tuomet užfiksuokite apatinę rankeną fiksavimo rankenėlemis.



**ĮSPĖJIMAS:** Kairė ir dešinė apatinės rankenos pusės turi būti nustatytos vienodame aukštyje.

## 7. MULČIUOJANTI ŽOLIAPJOVĖ

Kas yra mulčiavimas?

Mulčiuojant, žolė nupjaunama vieno darbo erapo metu, tuomet sukpojama ir išmetama ant nupjauto žolės ruožo kaip natūralios trąšos.

Patarimai dėl mulčiavimo:

- Reguliariai pjaukite žolę, pasirinkdami vis priešingą judėjimo kryptį, maks. 2 cm, kai žolė yra 6 cm - 4 cm aukščio.
- Naudokite aštrų pjovimo peilį.
- Nepjaukite šlapios žolės.
- Nustatykite maks. variklio apsukas.
- Judėkite tik darbui tinkamu tempu.
- Reguliariai valykite mulčiavimo pleištą, korpuso vidų ir pjovimo peilį.



**ISPĖJIMAS:** Tik išjungus variklį ir sustojus pjovimo mechanizmui.

1. Pakelkite galinį gaubtą ir nuimkite žolės gaudyklę;
2. Įstumkite mulčiavimo pleištą į dugną. Užfiksukite mulčiavimo pleištą, įstūmę mygtuką į dugne esančią angą. (17 pav., 18 pav.)
3. Vėl nuleiskite galinį gaubtą.

## 8. EKSPLOATACIJOS NURODYMAI

### 8-1 PRIEŠ PRADEDANT DARBĄ

Atlikite variklio, kuriame yra benzino ir alyvos, remonto darbus, kaip nurodyta atskiroje variklio naudojimo instrukcijoje, pateiktoje su šia žoliapjove. Atidžiai perskaitykite instrukciją.



**ISPĖJIMAS:** Benzinas yra nepaprastai degus. Laikykite benzinaž talpose, skirtose specialiai šiam tikslui. Pildkite degalus tik lauke, prieš užvesdami variklį ir, pildami degalus arba juos tvarkydami, nerūkykite. Niekuomet neatsukite degalų bako dangtelio ir nepilkite degalų, kai variklis veikia arba kai variklis yra įkaitęs. Išsipylus degalams, nebandykite užvesti variklio, tik patraukite mašiną šalin nuo degalų išsiiliejimo vietos ir venkite sukurti kokį nors uždegimo šaltinį, kol degalų garai neišsisklaidys.

Saugiai užsukite visus degalų bako ir talpyklų dangtelius. Prieš paversdami žoliapjovę, norėdami atlikti peilio techninę priežiūrą arba išleisti alyvą, išleiskite degalus iš bako.



**ISPĖJIMAS:** Niekada nepildykite bako patalpose, varikliui veikiant, arba po naudojimo nepalaukę 15 minučių, kol variklis atvės.

### 8-2 VARIKLIO UŽVEDIMAS IR PEILIO ĮJUNGIMAS

1. Įrenginyje ant uždegimo žvakės galo uždėta guminė mova; būtinai įsitikinkite, kad uždegimo žvakės laido gale esanti metalinė kilpelė (guminės movos viduje) būtų saugiai uždėta ant uždegimo žvakės metalinio galiuko.
2. Užvesdami šaltą variklį, nustatykite variklio apsuokų svirtį į padėtį „☞“. Užvesdami ir naudodami šiltą variklį, nustatykite variklio apsuokų svirtį į padėtį „☞“ (19 pav.)
3. Atsistoję už įrenginio, suimkite už sustabdymo valdymo rankenos ir laikykite ją priešais viršutinę rankeną, kaip parodyta **20 pav.**
4. Paimkite už starterio rankenos, kaip parodyta **20 pav.** ir ištraukite ją staigiu judesiu. Varikliui užsivedus, lėtai sugražinkite ir užfiksukite ją ant trosu kreiptuvo varžto. Norėdami išjunkite variklį ir peilį, atleiskite sustabdymo valdymo rankeną.



Atsargiai užveskite variklį, kaip nurodyta instrukcijoje; pėdos turi būti pakankamu atstumu nuo peilio.



Užvesdami variklį, nepaverskite žoliapjovės. Užveskite žoliapjovę ant lygaus paviršiaus, kur nėra žolės ar kokių nors kliūčių.



Laikykite pėdas ir rankas atokiai nuo besisukančių dalių. Neužveskite variklio stovėdami priešais išmetimo latako angą.

### 8-3 NAUDOJIMO TVARKA

Dirbdami, tvirtai laikykite sustabdymo valdymo rankeną abejomis rankomis.



**Pastaba:** Darbo metu atleisus sustabdymo valdymo rankeną, variklis bus išjungtas ir todėl žoliapjovė neveiks.

### 8-4 VARIKLIO IŠJUNGIMAS



**PERSPĖJIMAS:** Išjungus variklį, peilis dar kelias sekundes sukasi.

1. Norėdami išjunkite variklį ir peilį, atleiskite sustabdymo valdymo rankeną.
2. Atjunkite ir įžeminkite uždegimo žvakės laidą, kaip nurodyta atskiroje variklio naudojimo instrukcijoje, kad išvengtumėte atsitiktinio užvedimo palikus įrenginį be priežiūros.

### 8-5 AUTOMATINĖS EIGOS ĮJUNGIMAS

#### Modeliui PLM4621

Paimkite už savieigos valdymo rankenos; vejąpovė automatiškai ims judėti į priekį maždaug 1 m/s greičiu; atleisus savieigos rankeną, žoliapjovė sustos.

#### Modeliui PLM4622

Žoliapjovėje įrengta greičio reguliavimo sistema, kuri leidžia pasirinkti 3 greičio nustatymus: nuo 3,0 km/h iki 4,5 km/h.

Atlikite toliau nurodytus veiksmus:

1. Atleiskite savieigos valdymo rankeną, kad žoliapjovė sustotų ir nejudėtų į priekį.
2. Pasirinkite pageidaujimą greičio nustatymą.
3. Paimkite už savieigos valdymo rankenos ir toliau pjaukite žolę. (21 pav.)



**PERSPĖJIMAS:** Ši žoliapjovė skirta pjauti įprastą veją prie namų, kuri yra ne aukštesnė nei 250 mm. Nemėginkite ja pjauti neįprastai aukštos, išdžiūvusios ar šlapios žolės (pvz., ganyklose) ir nesmulkinkite ja sausų lapų krūvų. Ant žoliapjovės dugno gali susikaupti purvo arba jo gali patekti į išmetimo vamzdį, o tai gali sukelti gaisrą.

### 8-6 KĄ DARYTI, KAD MULČIAVIMO METU BŪTŲ PASIEKTA GERIAUSIŲ REZULTATŲ

Surinkite nuo vejos šiukšles. Įsitikinkite, ar ant vejos nėra akmenų, pagalių, laidų ar kitų pašalinių daiktų, kuriuos žoliapjovė gali netyčia pagriebti bei sviesti bet kuria kryptimi ir sukelti sunkių operatoriaus ar kitų asmenų

sužeidimų bei padaryti žalos turtui ir aplinkiniams objektams. Nepjaukite šlapios žolės. Norėdami, kad mulčiavimas būtų veiksmingas, nepjaukite šlapios žolės, nes ji prilimpa prie dugno apačios ir susmulkinta žolė mulčiuojama netinkamai. Pjaukite ne daugiau nei 1/3 žolės ilgio.

Rekomenduojamas žolės pjovimo aukštis mulčiuojant - 1/3 žolės ilgio. Reikia pasirinkti tinkamą važiavimo greitį, kad susmulkinta žolė būtų tolygiai paskeidžiama po veją. Esant itin sudėtingoms pjovimo sąlygoms ir tankiai žolei, norint gražiai nupjauti veją ir tinkamai mulčiuoti žolę, gali tekti pasirinkti mažiąsias važiavimo greitį. Pjaunant aukštą žolę, veją gali tekti pjauti per du kartus, antrą pjovimo metu nuleidžiant peilį dar 1/3 aukščio, ir, galbūt, pjauti priešinga pirmam pjovimui kryptimi. Užgriebiant šiek tiek nupjauto ruožo, taip pat galima švariau nupjauti bet kokius ilkusius nenupjautos vejos kuokštelius. Norint geriausiai nupjauti žolę ir tinkamiausiai atlikti mulčiavimą, žoliapjovę visuomet reikia naudoti nustačius maksimalias variklio apsakas. Nuvalykite dugno apačią.

Po kiekvieno apnaudojimo būtina nuvalykite pjovimo dugno apačią, kad ant jo nesusikauptų žolė, kuri neleis tinkamai atlikti mulčiavimo. Lapų mulčiavimas. Veja gali būti tręšiama mulčiuojant ir lapus. Mulčiuodami lapus, įsitikinkite, kad jie yra sausi ir nesukritę ant vejos pernelyg storu sluoksniu. Norėdami mulčiuoti, nelaukite, kol nuo medžių nukris visi lapai.



**ĮSPĖJIMAS:** Atsitrenkę į kokį nors pašalinį daiktą, išjunkite variklį. Ištraukite uždegimo žvakę, kruopščiai patikrinkite žoliapjovę, ar nėra pažeidimų, ir, jei reikia, pataisykite juos prieš vėl užvesdami ir naudodami žoliapjovę. Pernelyg stipri žoliapjovės vibracija darbo metu rodo gedimą. Įrenginį reikia skubiai patikrinti ir pataisyti.

## 8-7 ŽOLĖS GAUDYKLĖ

Ištuštinkite ir išvalykite maišą; patikrinkite, ar jis švarus ir ar neužkimštas tinklėmis. (22 pav.)

## 8-8 DUGNAS

Po kiekvieno panaudojimo privaloma nuvalyti žoliapjovę dugno apačią, kad ant jos nesikauptų susmulkinta žolė, lapai, purvas ar kitos medžiagos. Jeigu ant dugno susikaups purvo, jis sąlygos rūdžių atsiradimą ir koroziją; be to, jis trukdys tinkamai atlikti mulčiavimą. Dugną galima nuvalyti pakreipus žoliapjovę ir nugrandžius apačią tinkamu įrankiu (tuo metu uždegimo žvakė būtina turi būti atjungta).

## 8-9 NURODYMAI, KAIP NUSTATYTI PJOVIMO AUKŠTĮ



**PERSPĖJIMAS:** Niekada nedarykite jokių žoliapjovės reguliavimo darbų pirma neišjungę variklio ir neatjungę uždegimo žvakės laido.



**PERSPĖJIMAS:** Prieš keisdami žolės pjovimo aukštį, išjunkite žoliapjovę ir atjunkite uždegimo žvakės laidą.

Šioje žoliapjovėje įrengta centrinė aukščio reguliavimo svirtis, kurią galima nustatyti 5 aukščio padėtyse.

1. Prieš keisdami žolės pjovimo aukštį, išjunkite žoliapjovę ir atjunkite uždegimo žvakės laidą.
2. Centrinę aukščio reguliavimo svirtį galima nustatyti 5 skirtingose aukščio padėtyse.
3. Norėdami pakeisti pjovimo aukštį, patraukite reguliavimo svirtį link rato ir pakelkite arba nuleiskite svirtį, kad pasirinktumėte norimą aukštį (23 pav.). Visi ratai privalo būti sumontuoti tame pačiame aukštyje.

## 9. TECHNINĖS PRIEŽIŪROS INSTRUKCIJA

### UŽDEGIMO ŽVAKĖ

Pakeitimui naudokite tik originalią uždegimo žvakę. Norėdami užtikrinti geriausią darbą, keiskite uždegimo žvakę kas 100 darbo valandų. (žr. VARIKLIO NAUDOJIMO INSTRUKCIJA)

## 10. TĖPIMO INSTRUKCIJA



**PERSPĖJIMAS:** ATJUNKITE UŽDEGIMO ŽVAKĘ, PRIEŠ ATLIKdami TECHNINĖS PRIEŽIŪROS DARBUS.

1. RATAI-Patepkite kiekvieno rato rutulinius guolius neklampia alyva bent kartą per sezoną.
2. VARIKLIS-Vadovaukitės variklio naudojimo instrukcija, kaip atlikti variklio tepimą.
3. PEILIŲ VALDIKLIS-Patepkite sukamuosius peilio valdiklio rankenos taškus ir stabdiklio kabelį neklampia alyva bent kartą per sezoną. Peilio valdiklį turi būti lengva pasukti abejomis kryptimis.

## 11. VALYMAS



**PERSPĖJIMAS:** Neplaukite variklio vadens žarna. Vanduo gali pažeisti variklį arba užteršti degalų sistemą.

1. Nušluostykite dugną sausu skudurėliu.
2. Nuplaukite dugną, pakreipę žoliapjovę taip, kad uždegimo žvakė būtų viršuje.

### 11-1 VARIKLIO ORO FILTRAS



**PERSPĖJIMAS:** Neleiskite, kad purvas ar dulksės užkimštų oro filtro poroloniinį elementą.

Variklio oro filtro elementą reikia techniškai prižiūrėti (išvalyti) kas 25 darbo valandas. Jeigu žoliapjovę naudojama esant sauso oro sąlygoms, kuomet kyla daug dulkių, poroloniinį elementą reikia valyti reguliariai. (žr. VARIKLIO NAUDOJIMO INSTRUKCIJA)

### NORĖDAMI IŠVALYTI ORO FILTRĄ

1. Atsukite varžtą.
2. Nuimkite dangtį.
3. Išplaukite filtro elementą muiluotame vandenyje.  
**NEAUDOKITE BENZINO!**



4. Palaukite, kol oro filtro elementas išdžiūvis.
5. Užlašinkite ant poroloninio filtro kelis lašus alyvos SAE30; stipriai suspauskite jį, kad pašalintumėte alyvos perteklių.
6. Vėl sumontuokite filtrą.



**PASTABA:** Jeigu filtras nusidėvėjęs, suplėšytas arba jo neįmanoma išvalyti, pakeiskite jį nauju. **(24 pav.)**

## 11-2 PJOVIMO PEILIS



**PERSPĖJIMAS:** Būtinai atjunkite ir įžeminkite uždegimo žvakės laidą, prieš taisydami pjovimo peilį, kad variklis nebūtų atsitiktinai užvestas. Norėdami suimti peilius, būtinai dėvėkite pirštines arba naudokite skudurėlį. Paverskite žoliapjovę, kaip nurodyta atskiroje variklio naudojimo instrukcijoje. Nuimkite šešiakampį varžtą ir poveržlę, tvirtinančius peilį ir peilio adapterį ant variklio alkūninio veleno. Nuimkite peilį ir jo adapterį nuo alkūninio veleno.



**ISPĖJIMAS:** Reguliariai tikrinkite peilio adapterį, ar jis neįskilęs, ypač atsitrenkę į kokią nors pašalinį daiktą. Jei reikia, pakeiskite jį.

Norint pasiekti geriausių rezultatų, peilis turi būti aštrus. Peilį galima nuimti ir paglašti jį šlifavimo staklėmis arba dilde, kiek įmanoma išlaikant originalų ašmenų nuožambio kampą. Labai svarbu, kad kiekvienas peilio pjovimo kraštas būtų nugalastas vienodai, kad peilis nebūtų išbalansuotas. Netinkamas peilio balansavimas sukels pernelyg didelę vibraciją, kuri sugadins variklį ir žoliapjovę. Pagalandę, būtinai tinkamai subalansuokite peilį. Peilio balansą galima patikrinti užmovus jį ant apvalaus atsuktuvo galo. Galąskite sunkesnią peilio pusę, tol, kol peilis bus tinkamai subalansuotas. **(25 pav.)** Prieš vėl sumontuodami peilį ir jo adapterį ant įrenginio, patepkite variklio alkūninį veleną ir vidinį peilio adapterio paviršių neklampia alyva. Sumontuokite peilio adapterį ant alkūninio veleno "žvaigždute" šalin nuo variklio. Žr. **25 pav.** Užmaukite peilį taip, kad jo dalies numeris nebūtų nukreiptas į adapterį. Uždėkite ant peilio poveržlę ir įkiškite šešiakampį varžtą. Priveržkite šešiakampį varžtą, naudodami toliau nurodytą sukimo momentą.

## 11-3 SUKIMO MOMENTAS MONTUOJANT PEILĮ

Centrinis varžtas turi būti priveržtas naudojant 35 - 45 Nm jėgos sukimo momentą, kad būtų užtikrintas saugus įrenginio darbas. Būtina reguliariai tikrinti VISAS varžtes ir varžtus, ar jie tinkamai priveržti. Ilgai naudojant įrenginį, ypač smėlėtose vietovėse, peilis nusidėvi ir praranda savo originalią formą. Todėl pjovimo veiksmingumas sumažėja ir peilį reikia pakeisti.

Pakeiskite seną peilį tik patvirtintu, originaliu peiliu. Gamintojas neatsako už žalą, patirtą naudojant nesubalansuotą peilį.

Keisdami peilį, privalote naudoti originalų peilį (MAKITA 263001451) (norėdami užsakyti peilį, kreipkitės į vietos atstovą arba skambinkite mūsų bendrovei).



**ISPĖJIMAS:** Nelieskite besisukančio peilio.

## 11-4 VARIKLIS

Variklio techninės priežiūros instrukciją žr. atskirtą variklio naudojimo instrukciją.

Tikrinkite variklio alyvą, kaip nurodyta atskiroje variklio naudojimo instrukcijoje, pateiktoje su šia žoliapjove.

Atidžiai perskaitykite ir vadovaukitės instrukcija.

Esant įprastoms darbo sąlygoms, valykite oro filtrą, kaip nurodyta atskiroje variklio naudojimo instrukcijoje. Kylant nepaprastai daug dulkių, valykite filtrą kas kelias darbo valandas. Prastas variklio veikimas ir užliejimas paprastai reiškia, kad reikia išvalyti oro filtrą.

Norėdami išvalti oro filtrą, žr. atskirtą variklio naudojimo instrukciją, pateiktą kartu su šiuo įrenginiu.

Kartą per sezoną reikia nuvalyti uždegimo žvakę ir pareguliuoti tarpelį tarp žvakės ir kontakto. Sezono pradžioje rekomenduojama pakeisti uždegimo žvakę; žr. variklio naudojimo instrukciją, kurioje nurodyti techniniai duomenys apie tinkamą uždegimo žvakės tipą ir tarpelį. Reguliariai nuvalykite variklį skuduru arba šepetiu. Aušinimo sistema (ventiliatoriaus korpuso sritis) turi būti švari, kad būtų užtikrinta tinkama oro cirkuliacija, kuri yra būtina, kad variklis tinkamai veiktų ir ilgai tarnautų. Būtinai nuvalykite nuo duslintuvo žolę, purvą ir degias šiukšles.

## 12. SAUGOJIMO INSTRUKCIJA (NE SEZONO METU)

Norint paruošti žoliapjovę saugojimui, reikia atlikti šiuos veiksmus:

1. Po paskutinio panaudojimo šį sezoną, leiskite varikliui veikti tol, kol pasibaigs degalai.
2. Kruopščiai nuvalykite ir patepkite žoliapjovę, kaip nurodyta tepimo instrukcijoje.
3. Variklio saugojimo instrukciją rasite atskiroje variklio naudojimo instrukcijoje.
4. Truputį patepkite žoliapjovės peilį važiuklės tepalu, kad jis nesurūdėtų.
5. Laikykite žoliapjovę sausoje, švarioje vietoje.



**PASTABA:**

- Laikant bet kokią elektrinį įrenginį nevedinamoje patalpoje arba medžiagų sandėlyje;
- Reikia pasirūpinti, kad įrenginys būtų apsaugotas nuo korozijos. Patepkite įrenginį, ypač kabelius ir visas judamąsias dalis neklampia alyva arba silikonu.
- Būkite atsargūs, kad nesulenktumėte arba nesuraizgytumėte laidų.
- Jeigu starterio lynas atsikabintų nuo trosu kreiptuvo, esančio ant rankenos, atjunkite ir įžeminkite uždegimo žvakės laidą, nuspauskite peilio valdymo rankeną ir lėtai ištraukite starterio trosą iš variklio. Užmaukite starterio trosą ant trosu kreiptuvo varžto, esančio ant rankenos.

## 13. GEDIMŲ ŠALINIMAS

| PROBLEMA  | GALIMA PRIEŽASTIS   | ATITAIŠYMAS   |
|---|---|---|
| Variklis neužsiveda.                                  | Netinkamas droselinės sklendės nustatymas pagal esamas darbo sąlygas.                             | Nustatykite droselinę sklendę į tinkamą padėtį.   |
|   | Tuščias degalų bakas.   | Pripilkite baką degalų: žr. VARIKLIO NAUDOJIMO INSTRUKCIJĄ.   |
|   | Nešvarus oro filtro elementas.  | Išvalykite oro filtro elementą: žr. VARIKLIO NAUDOJIMO INSTRUKCIJĄ.   |
|   | Atsilaisvino uždegimo žvakė.  | Priveržkite uždegimo žvakę, naudodami 25 - 30 Nm sukimo momentą.  |
|   | Atsilaisvimo arba nukrito uždegimo žvakės laidas.   | Uždėkite uždegimo žvakės laidą ant uždegimo žvakės.   |
|   | Netinkamas uždegimo žvakės tarpelis.  | Tarp elektrodų turi būti 0,7 - 0,8 mm tarpelis.   |
|   | Sudegė uždegimo žvakė.  | Sumontuokite naują uždegimo žvakę, tinkamai nustatydami tarpelį tarp elektrodų: žr. VARIKLIO NAUDOJIMO INSTRUKCIJĄ.                                     |
|   | Karbiuratorius užpildytas degalais.   | Išimkite oro filtro elementą ir be perstojo traukite už startelio trosą, kol karbiuratorius bus išvalytas, tuomet vėl sumontuokite oro filtro elementą. |
|   | Sugedęs uždegimo modulis.   | Kreipkitės į Makite įgaliotąjį techninės priežiūros centrą.   |
| Sunku užvesti variklį arba variklis netenka galios.   | Užterštas degalų bakas, bako yra vandens arba degalų nuosėdų.                                     | Išleiskite iš bako degalus ir išvalykite baką. Į degalų baką pripilkite švarių degalų.  |
|   | Užsikimšo degalų bako dangtelyje esanti ventiliacijos anga.                                       | Išvalykite arba pakeiskite degalų bako dangtelį.  |
|   | Užsikimšęs oro filtro elementas.  | Išvalykite oro filtro elementą.   |
| Variklis veikia netvarkingai.                         | Sudegė degimo žvakė.  | Sumontuokite naują uždegimo žvakę, tinkamai nustatydami tarpelį tarp elektrodų: žr. VARIKLIO NAUDOJIMO INSTRUKCIJĄ.                                     |
|   | Netinkamas uždegimo žvakės tarpelis.  | Tarp elektrodų turi būti 0,7 - 0,8 mm tarpelis.   |
|   | Nešvarus oro filtro elementas.  | Išvalykite oro filtro elementą: žr. VARIKLIO NAUDOJIMO INSTRUKCIJĄ.   |
| Variklis prastai veikia be apkrovų.                   | Nešvarus oro filtro elementas.  | Išvalykite oro filtro elementą: žr. VARIKLIO NAUDOJIMO INSTRUKCIJĄ.   |
|   | Užsikimšo variklio gaubte esančios ventiliacijos angos.   | Išvalykite angose susikaupusį purvą.  |
|   | Užsikimšo variklio aušinimo briaunos ir oro kanalai, esantys po variklio ventiliatoriaus korpusu. | Nuvalykite purvą nuo aušinimo briaunų ir išvalykite oro kanalus.  |
| Esant didelėms apsvukoms, variklis netolygiai veikia. | Per mažas tarpelis tarp uždegimo žvakės elektrodų.  | Tarp elektrodų turi būti 0,7 - 0,8 mm tarpelis.   |
| Perkaista variklis.                                   | Sutrikęs aušinimo oro srautas.  | Išvalykite purvą iš gaubte esančių angų, nuo ventiliatoriaus korpuso, oro kanalų.   |
|   | Netinkama uždegimo žvakė.   | Sumontuokite uždegimo žvakę RJ19LMC ir aušinimo briaunas ant variklio.  |
| Žoliapjovė neįprastai vibruoja.                       | Atsilaisvino pjovimo mechanizmas.   | Priveržkite peilį.  |
|   | Nesubalansuotas pjovimo mechanizmas.  | Subalansuokite peilį.   |

## 14. APLINKOSAUGA

Jeigu po ilgo naudojimo seną įrenginį reikėtų pakeisti nauju, neišmeskite jo kartu su buitinėmis atliekomis; nuvežkite jį į atitinkamą atliekų surinkimo ir perdavimo punktą.

**Tik Europos šalims**

**EB Atitikties deklaracija**

**Mes, „Makita Corporation“ bendrovė, būdami atsakingas gamintojas, pareiškiame, kad šis „Makita“ mechanizmas(-ai):**

Mechanizmo paskirtis: Benzininė žoliapjovė

Modelio Nr./ tipas: PLM4621, PLM4622

Techninės sąlygos: Žr. skyrių "4. Techniniai duomenys"

priklauso serijinei gamybai ir

**atitinka šias Europos direktyvas:**

2006/42/EB, 2004/108/EB,

2000/14/EB ir 2005/88/EB

ir yra pagamintas pagal šiuos standartus arba

normatyvinius dokumentus:

EN836, EN ISO14982

Techninę dokumentaciją saugo mūsų įgaliotasis atstovas

Europoje, kuris yra:

Makita International Europe Ltd.,

Michigan, Drive, Tongwell,

Milton Keynes, MK15 8JD, England (Anglija)

Atitikties įvertinimo procedūra, būtina pagal Tarybos

Direktyvą 2000/14/EB, atlikta atsižvelgiant į priedą VI.

Paskelbtoji įstaiga:

TÜV SÜD Industrie Service GmbH

Westendstraße 199, D-80686 München

Identifikacijos numeris: 0036

Modelis PLM4621

Nustatytas garso galios lygis: 93,1 dB

Garantuotas garso galios lygis: 96 dB

Modelis PLM4622

Nustatytas garso galios lygis: 92,3 dB

Garantuotas garso galios lygis: 96 dB

11. 11. 2011



Tomoyasu Kato

Direktorius

Makita Corporation

3-11-8, Sumiyoshi-cho,

Anjo, Aichi, JAPAN

## Kopskata skaidrojums

- |                                    |                               |                              |
|------------------------------------|-------------------------------|------------------------------|
| 1. Augšējais rokturis              | 6. Troses virzītājs           | 11. Degvielas vāciņš         |
| 2. Bremzes kontroles rokturis      | 7. Zāles maiss                | 12. Eļļas vāciņš             |
| 3. Pašpiedziņas kontroles rokturis | 8. Augstuma regulēšanas svira | 13. Kabeļa skava             |
| 4. Dzinēja ātruma svira            | 9. Pamatne                    | 14. Bloķēšanas rokturis      |
| 5. Iedarbināšanas rokturis         | 10. Aizdedzes svece           | 15. Ātruma regulēšanas svira |



### BRĪDINĀJUMS

Savas drošības nolūkā pirms strādāt ar jauno ierīci, lūdzu, izlasiet šo rokasgrāmatu. Ja netiek ievērotas instrukcijas, var izraisīt nopietnus savainojumus. Pirms katras lietošanas reizes veļiet brīdi, lai pārbaudītu plaujmašīnu.



Lai apturētu motoru, atļaidiet slēdža rokturi.



Satverams pašpiedziņas kontroles rokturis kustībai uz priekšu.

## 1. UZ IZSTRĀDĀJUMA ESOŠIE SIMBOLI



Izlasiet lietošanas rokasgrāmatu.



Neļaujiet tuvumā atrasties nepiederošām personām.



Lai nepieļautu ievainojumus, lietotājam jāpievērš uzmanība kāju un roku aizsardzībai.



Toksiski izgarojumi — nestrādājiet iekštelpās.



Degviela ir viegli uzliesmojoša; neuzturieties atklātas liesmas tuvumā. Nepildiet degvielu, kamēr ierīce darbojas.



Operatoram savai aizsardzībai darba laikā jālieto aizsargbrilles un ausu aizbāžņi.



Veicot remontu, izņemiet aizdedzes sveci un veiciet remontu saskaņā ar lietošanas rokasgrāmatu.



Uzmanību — karsts dzinējs.

## 2. VISPĀRĒJIE DROŠĪBAS NOTEIKUMI



**BRĪDINĀJUMS:** Lietojot ar benzīnu darbināmas ierīces, vienmēr jāievēro drošības norādījumi, tostarp turpmāk minētie, lai mazinātu nopietnu ievainojumu, un/ vai iekārtas bojājumu risku.

Pirms ierīces lietošanas izlasiet šos norādījumus un saglabājiet tos arī turpmākām uzziņām.



**BRĪDINĀJUMS:** Šī ierīce ekspluatācijas laikā rada elektromagnētisko lauku. Atsevišķos gadījumos šis lauks var ietekmēt aktīvos vai pasīvos medicīniskos implantātus. Lai samazinātu nopietnu vai nāvēju ievainojumu risku, personām ar medicīniskiem implantātiem pirms ierīces lietošanas mēs iesakām konsultēties ar savu ārstu un medicīnisko implantātu ražotāju.

### Apmācība

- Uzmanīgi izlasiet norādījumus. Iepazīstieties ar ierīces vadības iekārtām un pareizu izmantošanu.
- Nepieļaujiet, ka zāles plaujmašīnu izmanto bērni vai cilvēki, kas nepārzina zāles plaujmašīnas izmantošanas norādījumus. Vietējie noteikumi var ierobežot lietotāja vecumu.
- Nekad neļaujiet, ja tuvumā ir cilvēki, jo īpaši bērni, vai dzīvnieki.
- Nemiet vērā, ka operators vai lietotājs ir atbildīgs par negadījumiem vai apdraudējumu, kas radīts citiem cilvēkiem vai to īpašumam.

### Sagatavošana

- Veicot zāles plaušanu, vienmēr valkājiet izturīgus apavus un garās bikses. Nelietojiet ierīci, ja kājās nav apavi vai valkājāt atvērtas sandales.
- Rūpīgi pārbaudiet vietu, kurā izmantosit iekārtu un novāciet visus priekšmetus, ko mašīna varētu izkustināt.
- **BRĪDINĀJUMS** — benzīns ir ļoti viegli uzliesmojošs.
  - glabājiet degvielu tai īpaši paredzētās tvertnēs;

- uzpildiet degvielu tikai ārpus telpām un pildīšanas laikā nesmēķējiet;
- degvielu uzpildiet pirms dzinēja iedarbināšanas. Nekādā gadījumā nenonemiet degvielas tvertnes vāciņu vai neuzpildiet degvielu, kad dzinējs darbojas vai kad tas ir karsts;
- ja degviela ir izšakstījusies, neiedarbiniet dzinēju, bet gan pārvietojiet ierīci prom no vietas, kur degviela ir izšakstījusies, un neveidojiet uzliesmojošus avotus, kamēr benzīna izgarojumi nav izzuduši;
- cieši novietojiet atpakaļ degvielas vāciņu un tvertņu vāciņus.
- Nomainiet bojātus klusinātājus.
- Pirms izmantošanas vienmēr vizuāli pārbaudiet, vai asmeņi, asmeņu bultskrūves un griešanas ierīce nav nodilusi vai bojāta. Lai saglabātu līdzsvaru, nomainiet visu bojātu asmeņu un bultskrūvju komplektu.

## Ekspluatācija

- Nedarbiniet dzinēju norobežotā vietā, kur var uzkrāties bīstami oglekļa monoksīda izgarojumi.
- Pļaujiet tikai dienas gaismā vai labā maksīglā apgaismojumā.
- Kur iespējams, nelietojiet aprīkojumu mitrā zālē.
- Strādājot nogāzē, nodrošiniet stabilu kāju atbalstu.
- Pārvietojieties staigājot, nevis skrienot.
- Izmantojot grozāmu ierīci ar riteņiem, pļaujiet slīpi pāri nogāzei — nekad nepļaujiet uz augšu vai uz leju.
- Mainot virzienu nogāzēs, esiet īpaši uzmanīgi.
- Nepļaujiet pārāk stāvas nogāzes.
- Esiet īpaši uzmanīgi, apgriežot zāles pļaujmašīnu vai velkot to pret sevi.
- Apturiet asmeni/-ņus, ja zāles pļaujmašīna ir jāsagāž, pārvietojot vai šķērsojot segumu, kas nav zāle, kā arī pārvietojot zāles pļaujmašīnu uz pļaušanas vietu un no tās.
- Nekad nelietojiet zāles pļaujmašīnu ar bojātiem aizsargiem, vai ja nav uzstādītas drošības ierīces, piemēram, deflektors un/vai zāles uztvērējs.
- Nomainiet dzinēja uzstādījumus vai nedarbiniet to ar pārlieku lieliem apgriezieniem.
- Pirms dzinēja iedarbināšanas atbrīvojiet visas asmens un piedziņas uznavas.
- Dzinēju iedarbiniet uzmanīgi, saskaņā ar norādījumiem un nestāviet asmens/-ņu tuvumā.
- Iedarbinot dzinēju, nesasveriet zāles pļaujmašīnu.
- Neiedarbiniet dzinēju, ja stāvat izlaides teknes tuvumā.
- Nelieciet plaukstas vai pēdas rotējošo detaļu tuvumā vai zem tām. Nekad nestāviet izvades atveres tuvumā.
- Nekad neceliet un nenesiet zāles pļaujmašīnu, ja darbojas dzinējs.
- Apturiet dzinēju un atvienojiet aizdedzes sveces vadu; pārbaudiet, vai visas kustīgās daļas ir pilnībā apstājušās un, ja ierīkota atslēga, to noņemiet:
  - pirms nosprostojumu tīrīšanas vai izlaides teknes tīrīšanas;
  - pirms zāles pļaujmašīnas pārbaudīšanas, tīrīšanas vai strādāšanas ar to;
  - pēc atsišanās pret kādu priekšmetu. Pārbaudiet, vai zāles pļaujmašīnai nav bojājumu un veiciet remontu pirms zāles pļaujmašīnas atkārtotas iedarbināšanas un lietošanas;

- ja zāles pļaujmašīna sāk neparasti vibrēt (nekavējoties pārbaudiet).
- Apturiet dzinēju un atvienojiet aizdedzes sveces vadu; pārbaudiet, vai visas kustīgās daļas ir pilnībā apstājušās un, ja ierīkota atslēga, to noņemiet:
  - ja atstājat zāles pļaujmašīnu bez uzraudzības;
  - pirms degvielas uzpildes.
- Apturot dzinēju, samaziniet droseles iestatījumu un, ja dzinējs ir aprīkots ar izslēgšanas vārstu, pļaušanas beigās izslēdziet degvielas padevi.
- Zāles pļaujmašīnu izmantojiet tikai paredzētajam mērķim — zāles pļaušanai un savākšanai. Izmantošana citiem mērķiem var būt bīstama un izraisīt mašīnas bojājumus.

## Apkope un uzglabāšana

- Vienmēr cieši pieskrūvējiet visus uzgriežņus, bultskrūves un skrūves, lai nodrošinātu iekārtas drošu darba stāvokli.
- Nekad neuzglabājiet ierīci ar benzīnu tvertnē ēkā, kur izgarojumi var saskarties ar atklātu liesmu vai dzirkstelēm.
- Pirms ierīces uzglabāšanas noslēgtā vietā ļaujiet dzinējam atdzist.
- Lai mazinātu ugunsgrēka bīstamību, no dzinēja, klusinātāja, akumulatora nodalījuma un benzīna glabāšanas vietas vienmēr iztīriet zāli, lapas vai lielus netīrumus.
- Regulāri pārbaudiet, vai zāles uztvērējs nav nodilis vai nolietojies.
- Drošības nolūkā nomainiet nodilušas vai nolietotas daļas.
- Ja ir jāizteicina degvielas tvertne, tas jā dara ārpus telpām.



**BRĪDINĀJUMS:** Nepieskarieties rotējošam asmenim.



**BRĪDINĀJUMS:** Veiciet degvielas uzpildi labi vēdinātā vietā, kad dzinējs ir izslēgts.

## 3. DAĻU APRAKSTS (1. un 2. att.)

### Iekļauts komplektā:

A: Aizdedzes sveces uzgriežņu atslēga

B: Mulčēšanas ķīlis

## 4. TEHNISKIE DATI

| Modelis                                      | PLM4621                      | PLM4622                       |
|--|------------------------------|-------------------------------|
| Dzinēja tips                                 | B, S 650E sērija, ReadyStart | B, S 675EX sērija, ReadyStart |
| Pašgājēja ierīce                             | Jā                           | Jā                            |
| Dzinēja darba tilpums                        | 190 cm <sup>3</sup>          | 190 cm <sup>3</sup>           |
| Asmens platums                               | 460 mm                       | 460 mm                        |
| Tukšgaitas ātrums                            | 2 800/min.                   | 2 800/min.                    |
| Degvielas tvertnes tilpums                   | 1,0 l                        | 1,0 l                         |
| Eļļas tvertnes tilpums                       | 0,6 l                        | 0,6 l                         |
| Zāles uztvērēja maisa tilpums                | 60 l                         | 60 l                          |
| Neto svars                                   | 33,8 kg                      | 35,4 kg                       |
| Augstuma regulēšana                          | 20-75 mm, 5 stāvokļi         | 20-75 mm, 5 stāvokļi          |
| Trokšņa līmenis saskaņā ar LVS EN836         |                              |                               |
| Skaņas spiediena līmenis (L <sub>pA</sub> ): | 81,5 dB (A)                  | 83,1 dB (A)                   |
| Skaņas jaudas līmenis (L <sub>WA</sub> ):    | 93,1 dB (A)                  | 92,3 dB (A)                   |
| Nenoteiktība (K):                            | 2,41 dB (A)                  | 2,75 dB (A)                   |
| Vibrācija saskaņā ar LVS EN836               |                              |                               |
| Vibrācija (a <sub>h</sub> ):                 | 6,4 m/s <sup>2</sup>         | 7,5 m/s <sup>2</sup>          |
| Nenoteiktība (K):                            | 1,5 m/s <sup>2</sup>         | 1,5 m/s <sup>2</sup>          |

## 5. MONTĀŽA

### 5-1 SALOKĀMĀ ROKTURA MONTĀŽA

- Ar bloķēšanas rokturiem piestipriniet apakšējos stieņus pie ierīces korpusa, kā parādīts. (**3. att., 4. att., 5. att., 6. att.**)
- Atbrīvojiet augšējo rokturi, lai to varētu salocīt. Savienojiet augšējo rokturi un apakšējo rokturi ar bloķēšanas rokturi. (**7. att., 8. att.**)
- Novietojiet visus kabelus pāri roktura asīm. Ar kabeļa skavām piestipriniet kabelus apakšējo rokturu vidusdaļā tā, lai kabeli ir piestiprināti ierīces ārpusē. Pretējā gadījumā kabeli var iesprūst, kad tiek atvērts/aizvērts aizmugures vāks, vai to var iespiest, saliecot augšējo rokturi. (**9. att.**)

### 5-2 ZĀLES UZTVĒRĒJA MONTĀŽA

- Lai uzstādītu: Paceliet aizmugures vāku un piestipriniet zāles uztvērēju pie ass, kas atrodas plaujumašīnas aizmugurē. (**10. att., 11. att.**)
- Lai noņemtu: Satveriet un paceliet aizmugures vāku un noņemiet zāles uztvērēju.

### 5-3 IEDARBINĀŠANAS ROKTURIS

Virziet iedarbināšanas rokturi no dzinēja pie troses virzītāja. (**12. att., 13. att.**)

### 5-4 PĻAUŠANAS DZIĻUMS

Lai atbrīvotu sviru no rāmja, nospiediet to uz ārpusi. Virziet sviru uz priekšu vai aizmuguri, lai noregulētu augstumu. (**14. att., kā arī skatiet 8-9. punktu.**)

## 6. PIEMĒROTA AUGSTUMA NOREGULĒŠANA

- Atskrūvējiet bloķēšanas rokturi, kas fiksē apakšējo rokturi, skatiet **15. att.**

- Skatiet **16. att.**; virzot apakšējo rokturi uz augšu un uz leju, noregulējiet pareizu augstumu. Šim plaujumašīnas tipam iespējams izvēlēties vienu no 3 regulēšanas stāvokļiem; pirmajā stāvoklī apakšējais rokturis no zemes atrodas vistālāk, trešajā stāvoklī tas atrodas vistuvāk zemei.
- Noregulējiet vajadzīgo augstumu un nofiksējiet apakšējo rokturi ar bloķēšanas rokturi.



**BRĪDINĀJUMS:** Apakšējā roktura kreisajai un labajai pusei jābūt vienādā augstumā.

## 7. PĻAUŠANA AR MULČĒŠANU

Kas ir mulčēšana?

Veicot mulčēšanu, zāle vispirms tiek nopļauta, pēc tam sasmalcināta un kā dabiskais mēslojums iestrādāta atpakaļ zālienā.

Padomi plaušanai ar mulčēšanu:

- Regulāri plaujiet maks. 2 cm no 6 cm līdz 4 cm garas zāles;
- Izmantojiet asu griešanas nazi;
- Neplaujiet mitru zāli;
- Iestatiet maksimālo dzinēja ātrumu;
- Plaujiet darba ātrumā;
- Regulāri tīriet mulčēšanas ķīli, korpusa iekšpusi un plaušanas asmeni.



**BRĪDINĀJUMS:** Tikai ar izslēgtu motoru un nekustīgu asmeni.

- Paceliet aizmugures vāku un noņemiet zāles uztvērēju.

- leviojot mulčēšanas ķīli pamatnē. Ar aizgriezni nostipriniet mulčēšanas ķīli pamatnes atvērumā. (17. att., 18. att.)
- Aiztaisiet aizmugures vāku.

## 8. EKSPLUATĀCIJAS NORĀDĪJUMI

### 8-1 PIRMS DARBA SĀKŠANAS

Piepildiet plaujmašīnu ar benzīnu un eļļu, kā norādīts atsevišķā dzinēja rokasgrāmatā, kas pievienota plaujmašīnai. Rūpīgi izlasiet norādījumus.



**BRĪDINĀJUMS:** Benzīns ir ļoti viegls uzliesmojošs.

Uzglabājiet degvielu tai īpaši paredzētās tvertnēs. Uzpildiet degvielu tikai ārpus telpām, pirms dzinēja iedarbināšanas; pildot vai pārvietojot degvielu nesmēķējiet.

Nekādā gadījumā nenoņemiet degvielas tvertnes vāciņu vai neuzpildiet degvielu, kad dzinējs darbojas vai kad tas ir karsts.

Ja degviela ir izšakstījusies, neiedarbiniet dzinēju, bet gan pārvietojiet ierīci prom no vietas, kur degviela ir izšakstījusies, un neveidojiet uzliesmojošus avotus, kamēr benzīna izgarojumi nav izzuduši.

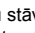
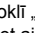
Cieši novietojiet atpakaļ degvielas vāciņu un tvertņu vāciņus.

Pirms sasvārt zāles plaujmašīnu, lai veiktu asmens apkopi vai iztecinātu eļļu, atbrīvojiet tvertni no degvielas.



**BRĪDINĀJUMS:** Nekad nepildiet degvielas tvertni iekšelpās, ar ieslēgtu dzinēju, vai kamēr dzinējs pēc ekspluatācijas nav atdzisis vismaz 15 minūtes.

### 8-2 DZINĒJA IEDARBINĀŠANA UN ASMENS PALAIŠANA

- Ierīcei virs aizdedzes sveces gala atrodas gumijas apvalks. Pārbaudiet, vai metāla cilpa aizdedzes sveces vada galā (gumijas apvalka iekšpusē) ir cieši piestiprināta virs aizdedzes sveces metāla uzgaļa.
- Iedarbinot aukstu dzinēju, pagrieziet dzinēja ātruma sviru stāvoklī „”. Iedarbinot uzsildītu dzinēju un sākot ar to strādāt, pagrieziet dzinēja ātruma sviru stāvoklī „”. (19. att.)
- Stāviet aiz ierīces, satveriet bremzes kontroles rokturi un turiet to pret augšējo rokturi, kā parādīts 20. att.
- Satveriet iedarbināšanas rokturi, kā parādīts 20. att. un strauji to pavelciet. Pēc dzinēja iedarbināšanas lēnām to novietojiet atpakaļ pie troses virzītāja skrūves. Lai apturētu dzinēju un asmeni, atlaidiet kontroles rokturi.



Dzinēju iedarbiniet uzmanīgi, saskaņā ar norādījumiem un nestāviet asmens tuvumā.



Iedarbinot dzinēju, nesasveriet zāles plaujmašīnu. Plaujmašīnu iedarbiniet uz līdzenas virsmas, uz kuras nav zāles vai priekšmetu.



Netuviniet rokas un kājas rotējošām daļām. Neiedarbiniet dzinēju, ja stāvat izlaides teknes atvēruma tuvumā.

### 8-3 EKSPLUATĀCIJAS PROCEDŪRAS

Ekspluatācijas laikā ar abām rokām cieši turiet bremzes kontroles rokturi.



**Piezīme.** Atlaižot bremzes kontroles rokturi ekspluatācijas laikā, dzinējs apstāsies, un zāles plaujmašīna nedarbosies.

### 8-4 DZINĒJA APTURĒŠANA



**UZMANĪBU:** Pēc dzinēja izslēgšanas asmens turpina griezties vairākas sekundes.

- Lai apturētu dzinēju un asmeni, atlaidiet kontroles rokturi.
- Atvienojiet un iezemējiet aizdedzes sveces vadu, kā norādīts atsevišķā dzinēja rokasgrāmatā, lai nepieļautu dzinēja nejausu iedarbināšanu, kad ierīce atstāta bez uzraudzības.

### 8-5 SAVIENOJUMS AUTOMĀTISKAI KUSTĪBAI

#### Attiecas uz PLM4621

Satverot pašpiedziņas kontroles rokturi, zāles plaujmašīna automātiski virzīsies uz priekšu ar ātrumu apmēram 1 m/s. Ja atlaidīsiet slēdža rokturi, zāles plaujmašīna apstāsies.

#### Attiecas uz PLM4622

Plaujmašīna ir aprīkota ar ātruma regulēšanas sistēmu, ko var noregulēt vienā no 3 ātrumiem, sākot no 3,0 km/h līdz 4,5 km/h.

Rīkojieties šādi:

- Atlaidiet pašpiedziņas kontroles rokturi, līdz zāles plaujmašīna vairs nevirzās uz priekšu.
- Noregulējiet nepieciešamajā ātrumā.
- Satveriet pašpiedziņas kontroles rokturi, lai sāktu pļaut. (21. att.)



**UZMANĪBU.** Plaujmašīna ir paredzēta normāla garuma dzīvojamās zonas zāles, kas nav garāka par 250 mm, pļaušanai.

Nemēģiniet pļaut ļoti garu sausu vai mitru zāli (piemēram, ganībās) vai sausu lapu kaudzē. Netūrumi var uzkrāties uz plaujmašīnas pamatnes ar dzinēja izplūdes gāzēm, radot potenciālu ugunsgrēka bīstamību.

### 8-6 LABĀKIEM MULČĒŠANAS REZULTĀTIEM

Attīriet mauriņu no netūrumiem — no mauriņa novāciet akmeņus, žaģarus, stieples un citus priekšmetus, ko plaujmašīna varētu nejausi aizmest kādā virzienā un izraisīt nopietnus ievainojumus lietotājam un citām personām, kā arī bojāt īpašumu un apkārtējos objektus. Nepļaujiet mitru zāli. Lai mulčēšana būtu efektīva, nepļaujiet mitru zāli, jo tā pielīp pie pamatnes apakšas, neļaujot pareizi veikt mulčēšanu no nopļautās zāles. Nepļaujiet vairāk nekā 1/3 no zāles garuma —

ieteicamais zāles garums, plaujot mulčēšanai ir 1/3 no zāles garuma. Nepieciešams noregulēt pamata ātrumu tā, lai nopļauto zāli varētu vienmērīgi izkaisīt pa mauriņu. Plaujot sevišķi garu un biezu zāli, var būt nepieciešams izmantot vienu no zemākajiem ātrumiem, lai nodrošinātu vienmērīgu plaušanu ar mulčēšanu. Plaujot ar mulčēšanu garu zāli, mauriņu var būt nepieciešams plaut divas reizes, otro reizi nolaižot asmeni vēl par 1/3 zemāk no zāles garuma, kā arī, iespējams, plaujot atšķirīgā virzienā nekā pirmo reizi.

Katru reizi plaujot nedaudz pāri iepriekšējai plaušanas vietai, iespējams arī novākt zāles atgriezumus, kas var būt palikuši uz mauriņa. Pļaujmašīna vienmēr jādarbina pilnā jaudā, lai iegūtu labāko plaušanas rezultātu un nodrošinātu vislabāko mulčēšanu. Notīriet pamatnes apakšu — pēc katras izmantošanas reizes notīriet plaušanas pamatnes apakšu, lai novērstu zāles sakrāšanos, kas neļaus pareizi veikt mulčēšanu. Lapu mulčēšana — lapu mulčēšana var būt labvēlīga mauriņam. Mulčējot lapas, pārbaudiet, vai tās ir sausas un uz zālāja nav pārāk biezs slānis. Negaidiet, kamēr no kokiem nokritis visas lapas, pirms veikt mulčēšanu.



**BRĪDINĀJUMS:** Ja pļaujmašīna atsitas pret kādu priekšmetu, apturiet dzinēju. No aizdedzes sveces noņemiet vadu, rūpīgi pārbaudiet, vai pļaujmašīnai nav bojājumu un, pirms atkal iedarbināt un lietot pļaujmašīnu, novērsiet bojājumus. Pārmērīga pļaujmašīnas vibrācija ekspluatācijas laikā liecina par bojājumiem. Nekavējoties pārbaudiet ierīci un salabojiet.

## 8-7 ZĀLES UZTVĒRĒJS

Iztukšojiet un iztīriet maisu, pārliecinieties, vai tas ir tīrs un pārbaudiet, vai tas tiek vēdināts. (22. att.)

## 8-8 PAMATNE

Pēc katras izmantošanas reizes notīriet pļaujmašīnas pamatnes apakšu, lai novērstu zāles, lapu, netīrumu un citu vielu sakrāšanos. Ja ļauj sakrāties netīrumiem, tas veicina rūsas un koroziju, un neļaus pareizi veikt mulčēšanu. Pamatni var notīrīt, pļaujmašīnu sagāžot un notīrot ar piemērotu instrumentu (pārbaudiet, vai aizdedzes sveces vads ir atvienots).

## 8-9 NORĀDĪJUMI AUGSTUMA REGULĒŠANAI



**UZMANĪBU:** Nekad neregulējiet zāles pļaujmašīnu, ja vispirms nav apturēts dzinējs un atvienots aizdedzes sveces vads.



**UZMANĪBU:** Pirms pļaušanas augstuma maiņas apturiet pļaujmašīnu un atvienojiet aizdedzes sveces vadu.

Pļaujmašīnai ir centrālā augstuma regulēšanas svira ar 5 augstuma stāvokļiem.

1. Pirms pļaušanas augstuma maiņas apturiet pļaujmašīnu un atvienojiet aizdedzes sveces vadu.
2. Centrālajai augstuma regulēšanas svirai ir 5 dažādi augstuma stāvokļi.

3. Lai mainītu pļaušanas stāvokli, velciet regulēšanas sviru pret riteņiem, virzot sviru uz augšu vai leju, lai izvēlētos augstumu (23. att.). Visi riteņi būs vienādā pļaušanas augstumā.

## 9. TEHNISKĀS APKOPES NORĀDĪJUMI

### AIZDEDES SVECE

Izmantojiet tikai oriģinālo rezervies aizdedzes sveci. Labākiem rezultātiem nomainiet aizdedzes sveci pēc katrām 100 lietošanas stundām. (skatiet DZINĒJA LIETOTĀJA ROKASGRĀMATU)

## 10. NORĀDĪJUMI EĻĻOŠANAI



**UZMANĪBU:** VIENMĒR PIRMS APKOPES VEIKŠANAS ATVIENOJIET AIZDEDES SVECI.

1. RĪTENĪ — vismaz reizi sezonā ar zemas viskozitātes eļļu ieeļļojiet katru riteņa lodīšu gultņus.
2. DZINĒJS — norādījumus eļļošanai meklējiet dzinēja rokasgrāmatā.
3. ASMENS — vismaz reizi sezonā ar zemas viskozitātes eļļu ieeļļojiet griešanās punktus uz asmens kontroles ruktura un bremzes trosi. Asmens kontroles rukturim brīvi jāgriežas abos virzienos.

## 11. TĪRĪŠANA



**UZMANĪBU:** Neskalojiet dzinēju ar šļūteni. Ūdens var sabojāt dzinēju un piesārņot degvielas sistēmu.

1. Noslaukiet pamatni ar sausu lupatīņu.
2. Noskalojiet pamatnes apakšu ar šļūteni, sagāžot pļaujmašīnu tā, lai aizdedzes svece atrodas augšā.

### 11-1 DZINĒJA GAISA FILTRS



**UZMANĪBU:** Neļaujiet netīrumiem vai putekļiem aizsprostot gaisa filtra filtrējošo elementu.

Gaisa filtra elementam jāveic apkope (jātīra) pēc 25 stundām pļaušanas normālos apstākļos. Filtrējošam elementam regulāri jāveic apkope, ja pļaujmašīnu izmanto sausus, putekļainos apstākļos. (skatiet DZINĒJA LIETOTĀJA ROKASGRĀMATU).

### GAISA FILTRA TĪRĪŠANA

1. Atskrūvējiet skrūvi.
2. Noņemiet vāku.
3. Nomazgājiet filtra elementu ziepjūdenī.  
**NEIZMANTOJIET BENZĪNU!**
4. Filtra elementu nožāvējiet ar gaisu.
5. Uzpildiniet dažas lāses SAE30 eļļas uz filtra un cieši saspiediet, lai atbrīvotos no liekās eļļas.
6. Atlieciet filtru atpakaļ.





**PIEZĪME:** Nomainiet filtru, ja tas ir nodilis, bojāts vai to nevar notīrīt. (24. att.)

## 11-2 GRIEZĒJASMENS



**UZMANĪBU.** Lai nepieļautu dzinēja nejašu iedarbināšanu, pirms sākt darbu ar griezējasmēni atvienojiet un iezemējiet aizdedzes sveces vadu. Izmantojiet biezas cimdus, lai aizsargātu rokas, satverot griezējasmēni.

Sašķiebiet plaujmašīnu, kā norādīts atsevišķajā dzinēja rokasgrāmatā. Atrskūvējiet seššķautņu bultskrūvi un uzgriezni, kas piestiprina asmeni un asmens turētāju pie dzinēja kloķvārpstas. Noņemiet asmeni un turētāju no kloķvārpstas.



**BRĪDINĀJUMS:** Regulāri pārbaudiet, vai asmens turētājam nav plaisu, jo īpaši, ja plaujmašīna atsitas pret kādu priekšmetu. Ja nepieciešams, nomainiet.

Lai iegūtu labākus rezultātus, asmenim ir jābūt asam. Asmeni var atkārtoti uzasināt, to noņemot un griezējmalu nostipējot vai novīlējot, pēc iespējas ievērojot sākotnējo leņķi. Ļoti svarīgi ir nodrošināt, lai visas griezējmalas būtu vienādi nostipētas, lai nepieļautu nebalansēta asmens izveidošanos. Nepareizi balansēts asmens radīs pārmērīgu vibrāciju, kas var izraisīt bojājumus dzinējam un plaujmašīnai. Pēc uzasināšanas rūpīgi balansējiet asmeni. Asmens balansu var pārbaudīt, to balansējot uz apaļas skrūvgrīža ass. Noņemiet metālu no smagākās puses, līdz asmens ir balansā. (25. att.)

Pirms asmens un asmens adaptera piestiprināšanas pie ierīces, ar zemas viskozitātes eļļu ieeļļojiet dzinēja kloķvārpstu un asmens turētāja iekšējo virsmu. Asmens turētāju novietojiet uz kloķvārpstas tā, lai „zvaigzne” neatrodas dzinēja pusē. Skatiet 25. att. Novietojiet asmeni tā, lai daļas numurs neatrodas turētāja pusē. Novietojiet blīvi virs asmens un ievietojiet seššķautņu skrūvi. Pieskrūvējiet seššķautņu skrūvi atbilstoši šeit norādītajam griezes momentam.

## 11-3 ASMENS PIESTIPRINĀŠANAS GRIEZES MOMENTS

Centrālā skrūve jāpieskrūvē ar 35–45 Nm griezes momentu. Lai nodrošinātu ierīces drošu ekspluatāciju, regulāri jāpārbauda, vai VISI uzgriežņi un skrūves ir pareizi pieskrūvētas. Pēc ilgstošas lietošanas, jo īpaši, ja augsne ir smilšaina, asmens nodilis, un tam vairs nebūs sākotnējās formas. Plaušanas efektivitātē būs samazināta, tādēļ asmens ir jānomaina.

Nomainiet tikai pret apstiprinātas rūpnīcas rezerves asmeni. Ražotājs neuzņemas atbildību par iespējamiem bojājumiem, kas radušies no nebalansēta asmens. Nomainot asmeni, izmantojiet oriģinālo tipu, kas norādīts uz asmens (MAKITA 263001451) (lai pasūtītu asmeni, lūdzu, sazinieties ar vietējo izplatītāju vai zvaniet mūsu uzņēmumam).



**BRĪDINĀJUMS:** Nepieskarities rotējošam asmenim.

## 11-4 DZINĒJS

Dzinēja apkopes norādījumus skatiet atsevišķā dzinēja rokasgrāmatā.

Piepildiet eļļu, kā norādīts atsevišķā dzinēja rokasgrāmatā, kas pievienota plaujmašīnai.

Rūpīgi izlasiet un izpildiet norādījumus.

Gaisa filtru apkopiet, kā norādīts atsevišķā dzinēja rokasgrāmatā attiecībā uz normāliem apstākļiem. Sevišķi putekļainos apstākļos tīriet ik pēc dažām stundām. Slikts dzinēja sniegums un pārplūšana parasti liecina, ka gaisa filtram nepieciešama apkope.

Lai veiktu apkopi gaisa filtram, skatiet atsevišķu dzinēja rokasgrāmatu, kas pievienota plaujmašīnai.

Aizdedzes svece jātīra un sprauga jāregulē reizi sezonā. Aizdedzes sveci ieteicams nomainīt katras plaušanas sezonas sākumā — dzinēja rokasgrāmatā nosakiet pareizo sveces tipu un spraugas tehniskos datus.

Dzinēju regulāri tīriet ar lupatiņu vai birstīti. Dzesēšanas sistēmu (pūtēventilatora korpusa zonu) uzturiet tīru, lai nodrošinātu pietiekamu gaisa cirkulāciju, kas ir nepieciešama dzinēja sniegumam un kalpošanas ilgumam. No klusinātāja zonas noņemiet zāli, nefrumus un viegli uzliesmojošus materiālus.

## 12. NORĀDĪJUMI GLABĀŠANAI (PĒC SEZONAS BEIGĀM)

Lai zāles plaujmašīnu sagatavotu glabāšanai, jāveic šādi pasākumi.

1. Pēc pēdējās plaušanas reizes sezonā ļaujiet degvielas tvertnei iztukšoties.
2. Plaujmašīnu rūpīgi notīriet un ieeļļojiet, kā aprakstīts norādījumos eļļošanai.
3. Pareizus dzinēja glabāšanas norādījumus skatiet dzinēja rokasgrāmatā.
4. Lai novērstu rūšēšanu, viegli pārklājiet plaujmašīnas griezējasmēni ar šasijas smērvielu.
5. Plaujmašīnu glabājiet sausā, tīrā vietā.



**PIEZĪME:**

- Ja mehānētās ierīces glabājat nevēdināmā telpā vai materiālu glabāšanas noliktavā;
- Ierīcēm nepieciešams nodrošināt aizsardzību pret rūsu. Pārklājiet ierīci, jo sevišķi tās kabelus un kustīgās daļas, ar zemas viskozitātes eļļu vai silikonu.
- Uzmanieties, lai nesālietu un nesamezglotu kabelus.
- Ja iedarbināšanas trosē atvienojas no troses virzītāja uz ruktura, atvienojiet un iezemējiet aizdedzes sveces vadu, nospiediet asmens kontroles rukturi un lēnām izvelciet iedarbināšanas trosi ārā no dzinēja. Ievietojiet iedarbināšanas trosi troses virzītāja skrūvē uz ruktura.

## 13. PROBLĒMU NOVĒRŠANA

| PROBLĒMA  | IESPĒJAMĀIS CĒLONIS   | PROBLĒMAS NOVĒRŠANA   |
|---|---|---|
| Dzinējs nesāk darboties.                          | Drosejaizbīdnis neatrodas apstākļiem atbilstošā stāvoklī.                               | Pārvietojiet drosejaizbīdni pareizā stāvoklī.   |
|   | Degvielas tvertne ir tukša.   | Iepildiet tvertnē degvielu — skatiet DZINĒJA LIETOTĀJA ROKASGRĀMATU.  |
|   | Gaisa filtra elements ir netīrs.  | Notīriet gaisa filtra elementu — skatiet DZINĒJA LIETOTĀJA ROKASGRĀMATU.  |
|   | Aizdedzes svece ir vaļīga.  | Pieskrūvējiet aizdedzes sveci ar 25–30 Nm.  |
|   | Aizdedzes sveces vads ir vaļīgs vai atvienojies no sveces.                              | Pievienojiet aizdedzes sveces vadu pie aizdedzes sveces.  |
|   | Aizdedzes sveces sprauga nav pareiza.   | Spraugu starp elektrodiem noregulējiet no 0,7 līdz 0,8 mm.  |
|   | Aizdedzes svece ir bojāta.  | Uzstādiet jaunu sveci ar pareizu spraugas attālumu — skatiet DZINĒJA LIETOTĀJA ROKASGRĀMATU.  |
|   | Karburatorā ir pārplūdusi degviela.   | Izņemiet gaisa filtra elementu un nepārtraukti velciet iedarbināšanas trosi, līdz karburators ir attīrīts; pēc tam atlieciet atpakaļ gaisa filtra elementu. |
| Bojāts aizdedzes modulis.                         | Sazinieties ar pilnvarotu Makita apkopes centru.  |   |
| Dzinēju ir grūti iedarbināt, vai tas zaudē jaudu. | Tvertnē ir netīrumi, ūdens vai sastāvējusies degviela.                                  | Izteciniet degvielu un iztīriet tvertni. Piepildiet tvertni ar tīru, svaigu degvielu.   |
|   | Degvielas tvertnes vāciņa ventilācijas atvere ir nosprostota.                           | Iztīriet vai nomainiet degvielas tvertnes vāciņu.   |
|   | Gaisa filtra elements ir netīrs.  | Notīriet gaisa filtra elementu.   |
| Dzinējs darbojas ar pārtraukumiem.                | Aizdedzes svece ir bojāta.  | Uzstādiet jaunu sveci ar pareizu spraugas attālumu — skatiet DZINĒJA LIETOTĀJA ROKASGRĀMATU.  |
|   | Aizdedzes sveces sprauga nav pareiza.   | Spraugu starp elektrodiem noregulējiet no 0,7 līdz 0,8 mm.  |
|   | Gaisa filtra elements ir netīrs.  | Notīriet gaisa filtra elementu — skatiet DZINĒJA LIETOTĀJA ROKASGRĀMATU.  |
| Vāji dzinēja tukšgaitas apgriezieni.              | Gaisa filtra elements ir netīrs.  | Notīriet gaisa filtra elementu — skatiet DZINĒJA LIETOTĀJA ROKASGRĀMATU.  |
|   | Vēdināšanas atveres dzinēja korpusā ir bloķētas.  | No atverēm notīriet netīrumus.  |
|   | Dzesēšanas ribas un gaisa plūsmas ceļi zem dzinēja pūtējventilatora korpusa ir bloķēti. | Notīriet netīrumus dzesēšanas ribās un gaisa plūsmas ceļos.   |
| Lielā ātrumā dzinējs pārlec.                      | Spraugu starp aizdedzes sveces elektrodiem ir pārāk maza.                               | Spraugu starp elektrodiem noregulējiet no 0,7 līdz 0,8 mm.  |
| Dzinējs pārkarst.                                 | Dzesēšanas gaisa plūsma ir sašaurināta.   | No atverēm korpusā, pūtējventilatora korpusā, gaisa plūsmas ceļiem iztīriet visus netīrumus.  |
|   | Nepareiza aizdedzes svece.  | Dzinējam uzstādiet RJ19LMC aizdedzes sveci un dzesēšanas ribas.   |
| Pļaujmašīna neparasti vibrē.                      | Pļaušanas mehānisms ir vaļīgs.  | Pieskrūvējiet asmeni.   |
|   | Pļaušanas mehānisms nav balansēts.  | Balansējiet asmeni.   |

## 14. APKĀRTĒJĀS VIDES AIZSARDZĪBA

Ja ierīci pēc ilgstošas kalpošanas nepieciešams nomainīt, neizmetiet to majsaimniecības atkritumos, bet likvidējiet apkārtējai videi nekaitīgā veidā.

### Tikai Eiropas valstīm

#### EK atbilstības deklarācija

Uzņēmums „Makita Corporation”, kā atbildīgais ražotājs paziņo, ka šāds/-i „Makita” instruments/-i:

Darbarīka nosaukums: Benzīna zāles pļaujmašīna

Modeļa Nr./ tips: PLM4621, PLM4622

Specifikācijas: skatiet sadaļā „4. Tehniskie dati”

Ir sērijveida izstrādājumi un

**atbilst šādām Eiropas Savienības Direktīvām:**

2006/42/EK, 2004/108/EK,

2000/14/EK un 2005/88/EK

Un ražoti saskaņā ar šādiem standartiem vai  
normatīvajiem dokumentiem:

LVS EN 836, LVS EN ISO14982

Tehnisko dokumentāciju uztur mūsu pilnvarots pārstāvis  
Eiropā:

Makita International Europe Ltd.

Michigan, Drive, Tongwell

Milton Keynes, MK15 8JD, England

Atbilstības novērtējuma procedūra, ko nosaka Direktīva  
2000/14/EK, veikta atbilstoši pielikumam VI.

Pieteiktā iestāde:

TÜV SÜD Industrie Service GmbH

Westendstraße 199, D-80686 München

Identifikācijas numurs: 0036

Modelis PLM4621

Novērtētais skaņas jaudas līmenis: 93,1 dB

Garantētais skaņas jaudas līmenis: 96 dB

Modelis PLM4622

Novērtētais skaņas jaudas līmenis: 92,3 dB

Garantētais skaņas jaudas līmenis: 96 dB

11. 11. 2011



Tomojasu Kato

Direktors

Makita Corporation

3-11-8, Sumiyoshi-cho,

Anjo, Aichi, JAPAN

Üldvaate selgitus

- |                                  |                             |                                |
|----------------------------------|-----------------------------|--------------------------------|
| 1. Käepideme ülemine osa         | 6. Nööri juhik              | 11. Kütusepaagi kork           |
| 2. Turvapiduri hoob              | 7. Rohukott                 | 12. Õli täiteava kork          |
| 3. Vabajooksu juhik              | 8. Kõrguse reguleerimishoob | 13. Kaabliklamber              |
| 4. Mootori pöörlemiskiiruse hoob | 9. Kõrpus                   | 14. Lukustusnupp               |
| 5. Starteri nõõri käepide        | 10. Süüteküünal             | 15. Kiiruse reguleerimise hoob |

**HOIATUS**

Lugege käesolev kasutusjuhend iseenda ohutuse tagamiseks enne niiduki kasutamist läbi. Juhiste eiramine võib põhjustada tõsise kehavigastuse. Iga kord, kui hakkate niidukit kasutama, kulutage kõigepealt mõned minutid sellega tutvumiseks.

**1. MURUNIIDUKIL OLEVAD SÜMBOLID**

Lugege kasutusjuhendit.



Hoidke kõrvalseisjad eemal.



Pöörake töötamise ajal rohkem tähelepanu oma kätele ja jalgadele, et vältida kehavigastusi.



Mürgised aured: Ärge käitage mootorit siseruumides.



Kütus on tuleohtlik, hoidke tuli sellest eemal. Ärge lisage kütust sel ajal, kui mootor töötab.



Palun kandke niitmise ajal kaitseprille ja kõrvaklappe.



Eemaldage süüteküünla piip enne parandustööde teostamist niidukil. Seejärel remontige niidukit vastavalt kasutusjuhendile.



Ettevaatust! Mootor on kuum.



Seiskamiseks vabastage turvapiduri hoob.



Haarake vabajooksu juhikust, et liikuda ettepoole.

**2. OHUTUSE ÜLDEESKIRJAD**

**HOIATUS:** Bensiniimootoriga seadmeid kasutades tuleb alati järgida tõsise kehavigastuse tekke ja/või seadme kahjustamise ohu vähendamiseks peamisi ettevaatusabinõusid, kaasa arvatud järgmisi. Lugege kasutusjuhend enne niiduki kasutamist tähelepanelikult läbi ja hoidke see alles, et saaksite seda vajadusel uuesti lugeda.



**HOIATUS:** Antud masin tekitab töötamise ajal elektromagnetilise välja. Mõningatel juhtudel võib see väli mõjutada aktiivseid või passiivseid meditsiinilisi implantaate. Soovitame meditsiiniliste implantaatidega isikutel enne antud masina kasutamist pidada tõsise või eluohtliku vigastuse vältimiseks nõu arsti ja meditsiinilise implantaadi tootjaga.

**Väljaõpe**

- Lugege tähelepanelikult juhiseid. Õppige põhjalikult tundma seadme juhtimisseadiseid ja niiduki õiget kasutamist.
- Mitte mingil juhul ärge lubage muruniidukit kasutada lastel ega isikutel, kes pole tutvunud käesoleva kasutusjuhendiga. Kohalikud määrused võivad seada piiranguid kasutaja vanusele.
- Ärge kunagi niitke siis, kui läheduses viibivad inimesed (eriti lapsed) või lemmikloomad.
- Pidage meeles, et muruniiduki omanik või kasutaja vastutab teistele isikutele põhjustatud vigastuste või nende varale tekitatud kahjustuste eest.

**Ettevalmistus**

- Kandke niitmise ajal alati tugevaid jalatseid ja pikki pükse. Ärge töötage niidukiga, kui olete paljajalu või kannate lahtisi sandaale.

- Kontrollige hoolikalt niidetavat ala ja eemaldage seal kõik esemed, mis võivad niidukile ette jäädes eemale paikneda.
- HOIATUS! Bensiin on väga tuleohtlik.
  - hoidke kütust selleks ettenähtud mahutites;
  - lisage kütust ainult välistingimustes ja ärge suitsetage samal ajal;
  - lisage kütust enne mootori käivitamist. Ärge eemaldage kütusepaagilt korki ega lisage sinna kütust, kui mootor töötab või on kuum;
  - kui olete bensiini maha loksutanud, siis ärge püüdke mootorit käivitada, vaid viige niiduk sellest piirkonnast eemale ja vältige enne bensiinaurude hajumist kõrvõimalikke süttimisallikaid;
  - keerake kütusepaagi ja -mahuti korgid tugevasti kinni.
- Vahetage kahjustunud summutid välja.
- Kontrollige alati enne kasutamist, kas lõiketera, lõiketera poldid ja niiduki korpus pole kulunud või vigastatud. Asendage kulunud või kahjustunud poldid komplektina välja, et tagada niiduki ühtlane kulumine.
- enne takistuste eemaldamist muruniidukist või ummistuste kõrvaldamist väljaviskerennist;
- enne kontrollimist, puhastamist või mis tahes muude tööde teostamist muruniidukil;
- pärast pöörumist vastu võõrkeha. Kontrollige, et muruniiduk ei oleks kahjustunud. Teostage enne niiduki käivitamist ja niitma hakkamist vajalikud parandustööd;
- kui muruniiduk hakkab ebatavaliselt vibreerima (kontrollige kohe).
- Seisake mootor ja ühendage süüteküünla juhe lahti; veenduge, et kõik liikuvad osad on täielikult seisunud; ja eemaldage mutrivõti, kui see on niiduki küljes:
  - alati, kui lahkute muruniiduki juurest;
  - enne kütuse lisamist.
- Vähendage seguklapi ava seadistust mootori väljalülitamise ajal ja juhul, kui mootor on varustatud kütusekraaniga, siis sulgege see niitmise lõpetamisel.
- Kasutage muruniidukit ainult ettenähtud otstarbel, s.t niitmiseks ja rohu kogumiseks. Igasugune muu kasutusviis võib olla ohtlik ja niidukit kahjustada.

## Kasutamine

- Ärge käitage mootorit kinnises ruumis, kuhu võivad koguneda mürgised süsinikmonoksiidi (vingugaas) aurud.
- Nitke ainult päevavalguses või hea tehisvalgustuse olemasolul.
- Võimaluse korral vältige märja muru niitmist.
- Jälgige kallakutel alati, et teil oleks kindel jalgealune.
- Kõndige, ärge jookske.
- Edasiveoga niidukite puhul nitke kallakutel ristisuunas, mitte kunagi üles-alla suunas.
- Olge kallakutel liikumissuunda muutes äärmiselt ettevaatlik.
- Ärge nitke liiga järskudel kallakutel.
- Olge tagurdamisel või muruniiduki enda poole tõmbamisel äärmiselt ettevaatlik.
- Seisake lõiketera(d), kui muruniidukit tuleb mootori töötamise ajal kallutada, et liikuda üle alade, mis ei ole muruga kaetud, ning siis, kui viite muruniidukit niitmisalale või sealt ära.
- Ärge mitte mingil juhul kasutage muruniidukit, mille kaitsekatted on vigastatud või millel puuduvad ohutusseadised (nt suunaja ja/või rohukoguja peavad olema õigesti paigaldatud).
- Ärge muutke mootori pöörete regulaatori seadistust ning ärge ületage mootori maksimaalselt lubatud pööreid.
- Vabastage enne niiduki käivitamist kõik lõiketera ja ajami sidurid.
- Käivitage mootor vastavalt juhistele, hoides jalgu lõiketerast (lõiketeradest) ohutus kauguses.
- Ärge kallutage muruniidukit mootori käivitamise ajal.
- Ärge seisake mootori käivitamise ajal väljaviskerenni ees.
- Ärge pange käsi ja jalgu pöörlevate osade lähedale ega nende alla. Hoidke väljaviskeava alati takistustest puhtana.
- Mitte mingil juhul ärge tõstke ega kandke muruniidukit sel ajal, kui mootor töötab.
- Seisake mootor ja ühendage süüteküünla juhe lahti; veenduge, et kõik liikuvad osad on täielikult seisunud; ja eemaldage mutrivõti, kui see on niiduki küljes:

## Hoolitus ja hoiustamine

- Jälgige, et kõik mutrid, poldid ja kruvid oleksid tugevasti kinni keeratud. Nii tagate niiduki ohutu töötamise.
- Ärge kunagi hoidke niidukit, mille paagis on kütust, olematud ruumis, sest kütuseaurud võivad kokku puutuda lahtise tule või sädemetega.
- Laske mootoril enne niiduki viimist kinnisesse ruumi maha jahtuda.
- Tuleoahu vältimiseks hoidke mootori, summuti, akukorpuse ja bensiinipaagi piirkond rohust, lehtedest ja liigest määrdest puhtana.
- Kontrollige regulaarselt rohukogujat kulumise või vigastuste kindlakstegemiseks.
- Ohutuse tagamiseks vahetage kulunud või kahjustunud osad uute vastu.
- Kui kütusepaak vajab tühjendamist, tuleb seda alati teha välistingimustes.



**HOIATUS:** Ärge puudutage pöörlevat lõiketera.



**HOIATUS:** Lisage kütust hästi ventileeritud kohas seisatud mootori korral.

## 3. MURUNIIDUKI OSADE KIRJELDUS (Joon. 1 ja 2)

### Komplekti kuuluvad

- A: Süüteküünlavõti
- B: Multšimiskii

## 4. TEHNILISED ANDMED

| Mudel                                     | PLM4621                            | PLM4622                            |
|---|------------------------------------|------------------------------------|
| Mootori tüüp                              | B&S 650E seeria, ReadyStart        | B&S 675EX seeria, ReadyStart       |
| Iseliikuv                                 | Jah                                | Jah                                |
| Mootori töömaht                           | 190 cm <sup>3</sup>                | 190 cm <sup>3</sup>                |
| Lõiketera laius                           | 460 mm                             | 460 mm                             |
| Tühikäigu kiirus                          | 2800 p/min                         | 2800 p/min                         |
| Kütusepaagi maht                          | 1,0 l                              | 1,0 l                              |
| Õlipaagi maht                             | 0,6 l                              | 0,6 l                              |
| Rohukoti maht                             | 60 l                               | 60 l                               |
| Netokaal                                  | 33,8 kg                            | 35,4 kg                            |
| Kõrguse reguleerimine                     | 20-75 mm, 5 reguleeritavat kõrgust | 20-75 mm, 5 reguleeritavat kõrgust |
| Müratase vastavalt EN836                  |                                    |                                    |
| Helirõhu tase (L <sub>pA</sub> ):         | 81,5 dB (A)                        | 83,1 dB (A)                        |
| Müratugevuse tase (L <sub>wA</sub> ):     | 93,1 dB (A)                        | 92,3 dB (A)                        |
| Määramatus (K):                           | 2,41 dB (A)                        | 2,75 dB (A)                        |
| Vibratsioon vastavalt EN836               |                                    |                                    |
| Vibratsiooni emissioon (a <sub>h</sub> ): | 6,4 m/s <sup>2</sup>               | 7,5 m/s <sup>2</sup>               |
| Määramatus (K):                           | 1,5 m/s <sup>2</sup>               | 1,5 m/s <sup>2</sup>               |

## 5. KOKKUPANEK

### 5-1 KOKKUPANDAVA KÄEPIDEME MONTEERIMINE

- A) Kinnitage käepideme alumised osad niiduki korpuse külge lukustusnuppudega, nagu on näidatud. (**Joon. 3, Joon. 4, Joon. 5, Joon. 6**)
- B) Tõstke käepideme ülemine osa tööasendisse. Ühendage käepideme ülemine ja alumine osa lukustusnupu abil. (**Joon. 7, Joon. 8**)
- C) Seadke kõik kaablid üle käepideme torude. Kinnitage need kaabliklambriga käepideme alumiste osade keskele niimoodi, et kaablid jääksid niiduki välisküljele. Vastasel juhul võivad kaablid jääda tagumise katte vahele selle avamisel/sulgemisel või tõmbuda ülemääraselt pingule käepideme ülemise osa tõstmisel niitmisasendisse. (**Joon. 9**)

### 5-2 MURUKOGUJA MONTEERIMINE

- Paigaldamine: Tõstke tagumine kate üles ja haakige rohkoguja niiduki tagaosa külge. (**Joon. 10, Joon. 11**)
- Eemaldamine: Haarake kinni tagumisest kattest, tõstke see üles ja eemaldage rohkoguja.

### 5-3 STARTERI NÖÖRI KÄEPIDE

Viige starteri nõõri käepide mootorilt starteri nõõri juhikusse. (**Joon. 12, Joon. 13**)

### 5-4 LÕIKEKÕRGUS

Suruge hooba väljapoole selle vabastamiseks hammaste tagant. Lõikekõrguse reguleerimiseks lükake hooba ette- või tahapoole. (**Joon. 14 ja vt punkte 8–9**)

## 6. SOBIVA KÕRGUSE SEADISTAMINE

- Tõmmake lukustusnupp, mis fikseerib käepideme alumist osa, välja, vt **Joon. 15**.
- Vt **Joon. 16**, liigutage käepideme alumist osa üles ja alla, seadke see sobivale kõrgusele. Seda tüüpi muruniidukil saab valida 3 reguleeritava kõrguse vahel, kus käepideme alumine osa asub kõrgusel 1 maapinnast kõige kõrgemas ja kõrgusel 3 kõige madalamas punktis.
- Reguleerige sobivale kõrgusele ja kinnitage siis käepideme alumine osa lukustusnuppudega.



**HOIATUS:** Käepideme alumise osa vasak ja parem pool peavad olema reguleeritud samale kõrgusele.

## 7. MULTŠIMISEGA MURUNIIDUK

Mis on multšimine?

Multšimise puhul rohi kõigepealt lõigatakse, seejärel hekseldatakse peeneks ja juhitakse niidetud rohule loodusliku väetisena tagasi.

Nõuandeid multšimisega niitmiseks:

- Niitke muru regulaarselt maks. 2 cm võrra lühemaks (rohu kõrguselt 6 cm kuni kõrguseni 4 cm).
- Kasutage teravat lõiketera.
- Ärge niitke märga rohtu.
- Seadke mootori pöörlemiskiirus maksimaalseks.
- Niitke ainult normaalses töötempos.
- Puhastage regulaarselt multšimiskilju, korpuse sisemist poolt ja lõiketera.



**HOIATUS:** Teostage järgmisi toiminguid ainult siis, kui mootor on seisatud ja lõiketera ei liigu.

- Tõstke tagumine kate üles ja eemaldage rohkoguja;

- Lükake multšimiskiiil korpuse alla. Lukustage multšimiskiiil nupu abil korpuse all olevasse avausse. (**Joon. 17, Joon. 18**)
- Laske tagumine kate uuesti alla.

## 8. TÖÖJUHISED

### 8-1 ENNE MOOTORI KÄIVITAMIST

Kasutage mootorit ainult sellist bensiini ja õli, nagu on kindlaks määratud eraldi mootori kasutusjuhendis, mis on teie niidukiga kaasa pandud. Lugege tähelepanelikult juhiseid.



**HOIATUS:** Bensiin on väga tuleohtlik.

Hoidke kütust selleks ettenähtud mahutites.

Lisage kütust ainult välistingimustes, tehke seda enne mootori käivitamist ning ärge suitsetage kütuse lisamise või käsitsemise ajal.

Ärge eemaldage kütusepaagilt korki ega lisage sinna kütust, kui mootor töötab või on kuum.

Kui olete bensiini maha loksutanud, siis ärge püüdke mootorit käivitada, vaid viige niiduk sellest piirkonnast eemale ja vältige enne bensiinaurude hajumist kõivõimalikke süttimisallikaid.

Keerake kütusepaagi ja -mahuti korgid tugevasti kinni. Tühjendage kütusepaak enne muruniiduki kallutamist, et lõiketera hooldata või õli välja kallata.



**HOIATUS:** Ärge kunagi lisage paaki kütust suletud ruumis ega siis, kui mootor töötab. Kui mootor on äsja töötanud, siis oodake enne kütuse lisamist vähemalt 15 minutit, et mootor saaks maha jahtuda.

### 8-2 MOOTORI KÄIVITAMINE JA LÕIKETERA SISSELÜLITAMINE

- Niiduki süüteküünal on varustatud kummist piibuga, mis asub süüteküünla peal. Veenduge, et süüteküünla juhtme otsas olev metallist aas (kummist piibu sees) oleks tugevasti kinnitatud süüteküünla metallist otsa peale.
- Külma mootori käivitamisel keerake mootori pöörlemiskiiruse hoob asendisse "☞". Sooja mootori käivitamisel ja töötamise ajal keerake mootori pöörlemiskiiruse hoob asendisse "☜". (**Joon. 19**)
- Seistes muruniiduki taga, haarake kinni turvapiduri hoovast ja hoidke seda vastu käepideme ülemist osa, nagu on näidatud **Joon. 20**.
- Haarake kinni starteri nõõri käepidemest, nagu on näidatud **Joon. 20**, ja tõmmake seda kiiresti. Kui mootor käivitub, juhtige käepide aeglaselt starteri nõõri juhiku taha tagasi. Mootori ja lõiketera seiskamiseks vabastage turvapiduri hoob.



Käivitage mootor vastavalt juhistele, hoides jalgu lõiketerast ohutus kauguses.



Ärge kallutage muruniidukit mootori käivitamise ajal. Käivitage muruniiduk tasasel pinnal, kus ei ole kõrget rohtu ega takistusi.



Hoidke käed ja jalad eemal pöörlevatest osadest. Ärge seiske mootori käivitamise ajal väljaviskeava ees.

### 8-3 TÖÖPROTSEDUURID

Hoidke niitmise ajal turvapiduri hooba mõlema käega tugevasti vastu käepidet.



**Märkus:** kui turvapiduri hoob niitmise ajal vabastatakse, siis mootor seiskub, peatades seeläbi muruniiduki töö.

### 8-4 MOOTORI SEISKAMINE



**ETTEVAATUST:** Lõiketera jääb pärast mootori väljalülitamist mõneks sekundiks pöörlema.

- Mootori ja lõiketera seiskamiseks vabastage turvapiduri hoob.
- Ühendage süüteküünla juhe lahti ja maandage see, nagu kaasasolevas mootori kasutusjuhendis on õpetatud, et vältida ootamatut käivitumist sel ajal, kui niiduk on jäetud järelevalveta.

### 8-5 ÜHENDUS AUTOMAATSE LIIKUMISE JAOKS

#### PLM4621 jaoks

Haarake vabajooksu juhikust ning muruniiduk hakkab automaatselt liikuma edasi kiirusega u 1 m/s. Laske vabajooksu hoob lahti ning mootor seiskub.

#### PLM4622 jaoks

Muruniiduki liikumiskiirust saab reguleerida vastava süsteemi abil, mis võimaldab valida 3 kiiruse vahel (3,0 kuni 4,5 km/h).

Toimige järgnevalt:

- laske vabajooksu juhik lahti, kuni muruniiduk ei liigu enam edasi;
- reguleerige teile sobivale kiirusele;
- haarake vabajooksu juhikust, et jätkata niitmist. (**Joon. 21**)



**ETTEVAATUST:** Teie muruniiduk on mõeldud niitma tavalist elumajade ümber olevat muru, mille kõrgus ei ületa 250 mm.

Ärge üritage niita ebaharilikult kõrget või märga rohtu (nt heinamaad) või niita läbi kuivanud lehekuhjade. Praht võib koguneda niiduki korpusele või puutuda vastu mootori väljalasketoru, mis võib viia tulekahjuni.

### 8-6 PARIMATE TULEMUSTE SAAVUTAMINE MULTŠIMISEL

Puhastage muru prahist. Veenduge, et murul pole kive, pulkaid, traati või muid võõrkehi, mis võivad lõiketerade külge takerdudes ootamatult mis tahes suunas laiali paiskuda ning põhjustada tõsise kehavigastuse niiduki kasutajale ja teistele isikutele, samuti kahjustada vara ja muid ümbritsevaid esemeid. Ärge niitke märga rohtu. Tõhusamaks multšimiseks ärge niitke märga rohtu, sest see kipub korpuse alumisele küljele kleepuma, takistades mahalõigatud rohu õiget multšimist. Ärge niitke korraga maha rohkem kui 1/3 rohu esialgsest kõrgusest.

Multsimise puhul on soovitatav maha niita 1/3 rohu esialgsest kõrgusest. Liikumiskiirus tuleks reguleerida selliseks, mis võimaldab tükeldatud rohtu ühtlaselt murule laiali puistata. Eriti tiheda rohu puhul tuleks vajadusel kasutada ühte kõige aeglasematest kiirustest, et saavutada ühtlane hästi multšitud lõikus. Kui multšite kõrget rohtu, peaksite muru niitma kaks korda, langetades lõiketera teisel niitmisel veel 1/3 võrra esialgsest kõrgusest ning niites võib-olla mõne teise mustrit järgi kui esimesel korral.

Niiduradade väike kattuvus niitmisel aitab samuti saada ühtlasemat murupinda. Niiduk peaks alati töötama maksimaalsel pöörete arvul, et saavutada parim lõikus ja võimaldada niidukil multšida kõige tõhusamalt. Puhastage niiduki korpuse alumist poolt.

Puhastage korpuse alumist poolt kindlasti pärast igat kasutamist, et vältida rohu kogunemist, mis võib takistada õiget multšimist. Lehtede multšimine. Lehtede multšimine on samuti kasulik teie murule. Lehtede multšimisel veenduge, et need on kuivad ning ei paikne rohul liiga paksu kihina. Ärge oodake seni, kuni kõik lehed on puudelt maha langenud, enne kui multšima hakkate.



**HOIATUS:** Kui niiduk pörkub vastu võõrkeha, seisake mootor. Eemaldage süüteküünalt juhe, kontrollige niidukit põhjalikult, kas sellel pole kahjustusi, ja enne niiduki uuesti käivitamist teostage vajalikud parandustööd. Niiduki liiga suur vibratsioon töötamise ajal viitab kahjustusele. Niidukit tuleks kohe kontrollida ja remontida.

## 8-7 ROHUKOGUJA

Tühjendage ja puhastage rohukotti, veenduge, et kott on puhas, ja kandke hooit, et selle võrk oleks takistustest vaba. (Joon. 22)

## 8-8 KORPUS

Niiduki korpuse alumist poolt tuleks puhastada pärast igat kasutamist, et vältida niidetud rohu, lehtede, mulla ja muude võõrkehade kogunemist. Kui prügil lastakse koguneda, võib see põhjustada korrosiooni ja takistada nõuetekohast multšimist. Korpuse puhastamiseks võib niidukit kallutada ja kraapida seda puhtaks sobiva tööriistaga (kontrollige, et süüteküünla juhe oleks lahti ühendatud).

## 8-9 LÕIKEKÕRGUSE REGULEERIMISE JUHISED



**ETTEVAATUST:** Mitte mingil juhul ei tohi muruniiduki reguleerimistõid teha enne, kui te pole kõigepealt seisunud mootorit ja ühendanud lahti süüteküünla juhet.



**ETTEVAATUST:** Jätke niiduk enne lõikekõrguse muutmist seisma ja ühendage süüteküünla juhe lahti. Teie niiduk on varustatud ühe tsentraalse lõikekõrguse reguleerimishoovaga, mis võimaldab valida 5 kõrguse asendi vahel.

1. Jätke niiduk enne lõikekõrguse muutmist seisma ja ühendage süüteküünla juhe lahti.

2. Tsentraalne lõikekõrguse reguleerimishoob võimaldab teil kasutada 5 erinevat kõrguse asendit.
3. Lõikekõrguse muutmiseks suruge reguleerimishooba ratta suunas ja liigutage seda üles- või allapoole valitud kõrgusele (Joon. 23). Kõik rattad jäävad samale lõikekõrgusele.

## 9. HOOLDUSJUHISED

### SÜÜTEKÜÜNAL

Kasutage väljavahetamiseks ainult originaalset süüteküünalt. Parimate tulemuste saavutamiseks vahetage süüteküünal välja iga 100 töötunni järel. (Vt MOOTORI KASUTUSJUHEND)

## 10. MÄÄRIMISJUHISED



**ETTEVAATUST:** ÜHENDAGE SÜÜTEKÜÜNLA JUHE ENNE HOOLDUST LAHTI.

1. RATTAD. Määrige kõigi rataste kuullaagreid vähemalt üks kord hooaja jooksul kerge õliga.
2. MOOTOR. Järgige mootori kasutusjuhendis antud määrimisjuhiseid.
3. LÕIKETERA JUHTHOOB. Määrige lõiketera juhthoova pöördpunkte ja piduritrossi vähemalt üks kord hooaja jooksul kerge õliga. Lõiketera juhthoob peab mõlemas suunas liikuma vabalt.

## 11. PUHASTAMINE



**ETTEVAATUST:** Ärge kasutage mootori puhastamiseks veejuga. Vesi võib mootorit kahjustada või saastada kütusesüsteemi.

1. Puhastage korpust kuiva lapiga.
2. Puhastage niiduki korpuse alumist poolt veejoaga, kallutades niidukit niimoodi, et süüteküünal jääb ülespoole.

### 11-1 MOOTORI ÕHUPUHASTI



**ETTEVAATUST:** Ärge laske mustusel või tolmul ummistada õhufiltri poroloonelementi.

Mootori õhupuhasti elementi tuleb hooldada (puhastada) iga 25 töötunni järel normaalses tingimustes niitmise korral. Poroloonelementi tuleb hooldada regulaarselt, kui muruniidukit kasutatakse kuivades tolmustes tingimustes. (Vt MOOTORI KASUTUSJUHEND)

### ÕHUFILTRI PUHASTAMINE

1. Eemaldage kruvi.
2. Eemaldage kate.
3. Peske filtri elementi seebivees. **ÄRGE KASUTAGE BENSIINI!**
4. Laske filtri elemendil õhu käes kuivada.
5. Tilgutage poroloonfiltrile mõned tilgad SAE30 õli ja pigistage kõvasti, et liigne õli eemaldada.
6. Paigaldage filter tagasi.



(lõiketera tellimiseks pöörduge kohaliku müügiesindaja poole või helistage meie ettevõttesse).



**HOIATUS:** Ärge puudutage pöörlevat lõiketera.

## 11-4 MOOTOR

Lugege mootori hooldusjuhiseid eraldi mootori kasutusjuhendist.

Säilitage mootoriõli vastavalt mootori kasutusjuhendis antud juhisteile.

Lugege ja järgige juhiseid tähelepanelikult.

Kui töotate muruniidukiga normaalses tingimustes, siis hooldage õhupuhasit vastavalt mootori kasutusjuhendis antud juhisteile. Kui töotate väga tolmustes tingimustes, siis puhastage õhupuhasit iga mõne tunni järel. Mootori väike jõudlus ja üleujutus viitavad tavaliselt sellele, et õhupuhasit tuleks hooldada.

Lugege õhupuhasi hooldusjuhiseid teie niidukiga kaasasolevast mootori kasutusjuhendist.

Süüteküünalt tuleks puhastada ja elektroodide vahet reguleerida üks kord hooaja jooksul. Soovitatav on, et vahetaksite süüteküünla välja iga niitmishooaja alguses. Kontrollige mootori kasutusjuhendist õiget süüteküünla tüüpi ja elektroodide vahe tehnilisi nõudeid.

Puhastage mootorit regulaarselt lapi või harjaga. Hoidke jahutusüsteem (ventilaatori korpuse piirkond) puhtana, et võimaldada nõuetekohast õhuringlust, mis on oluline mootori jõudluse ja ettenähtud kasutusea säilitamiseks. Eemaldage summuti piirkonnast kindlasti kogu rohi, muld ja tuleohtlik prügi.

## 12. HOIUSTAMISE JUHISED (PÄRAST HOOAJA LÕPPEMIST)

Muruniiduki ettevalmistamisel hoiustamiseks tuleb teostada järgmised toimingud.

1. Pärast hooaja viimast niitmist tühjendage kütusepaak.
2. Puhastage ja määrige niidukit põhjalikult, nagu on kirjeldatud määrimisjuhistes.
3. Lugege mootori kasutusjuhendist nõudeid mootori hoiustamise kohta.
4. Määrige niiduki lõiketera kergelt kere määrdega, et vältida roostetamist.
5. Pange niiduk kuiva puhtasse kohta hoiale.



**NB:**

- Mis tahes tüüpi elektriseadmete hoiustamisel ventilatsioonita ruumis või materjaliloo varjualuses;
- Tuleks seadet kindlasti kaitsta roostetõrjevahendiga. Kasutage kergelt õli või silikooni ning kandke seda seadmele, eelkõige kaablitele ja kõigile liikuvatele osadele.
- Jälgige, et te ei painutaks kaableid ega ajaks neid keerdu.
- Kui starteri nõör eemaldub käepidemel olevast juhikust, ühendage süüteküünla juhe lahti ja maandage see. Vajutage turvapiduri hooob alla ja tõmmake starteri nõör aeglaselt mootorist välja. Libistage starteri nõör käepidemel olevasse juhikusse.



**MÄRKUS:** Vahetage filter välja, kui see on hõredaks kullunud, rebenenud, muul viisil kahjustunud või siis, kui seda ei saa enam puhastada. (Joon. 24)

## 11-2 LÕIKETERA



**ETTEVAATUST:** Ühendage süüteküünla juhe enne lõiketera kallal töötamist kindlasti lahti ja maandage see, et vältida mootori juhuslikku käivitumist. Kait ske käsi, kandes pakse kindaid või kasutage lõiketerade haaramiseks lappi.

Kallutage niidukit niimoodi, nagu kaasasolevas mootori kasutusjuhendis on kindlaks määratud. Eemaldage kuuskantpolt ja seib, mis hoiavad lõiketera ja lõiketera adapterit mootori väntvõlli küljes kinni. Eemaldage lõiketera ja adapter väntvõlli küljest.



**HOIATUS:** Kontrollige regulaarselt lõiketera adapterit, et sellel poleks pragusid, eelkõige siis, kui niiduk on pörkunud vastu võõrkeha. Vajadusel vahetage adapter välja.

Parimate tulemuste saavutamiseks peab lõiketera olema terav. Lõiketera saab uuesti teritada. Selleks tuleb see eemaldada ning teritada või viilida lõikeserva, säilitades võimalikult täpse originaalfaasi. Väga tähtis on, et kõiki lõikeservi viilatakse ühtlaselt, vältimaks lõiketera tasakaalustamatust. Lõiketera vale tasakaal põhjustab ülemäärast vibratsiooni, mille tagajärjel võivad tekkida juhuslikud mootoririkked ja niiduki kahjustused. Pärast lõiketera teritamist tasakaalustage seda hoolikalt. Lõiketera tasakaalu saab kontrollida, tasakaalustades lõiketera ümara varrega kruvikeerajal. Eemaldage metalli raskemalt küljelt, kuni lõiketera tasakaalustub ühtlaselt. (Joon. 25)

Enne lõiketera ja adapteri monteerimist seadme külge määrige mootori väntvõlli ja lõiketera adapteri sisemist pinda kerge õliga. Paigaldage lõiketera adapter väntvõlliile niimoodi, et "täht" jääks mootorist eemale. Vt Joon. 25. Paigaldage adapter lõiketera sellele küljele, millel pole osa numbrit. Seadke seib lõiketera auguga kohakuti ja sisestage kuuskantpolt. Pingutage kuuskantpolti vastavalt alpool antud pöördemomendile.

## 11-3 LÕIKETERA MONTEERIMISE PÖRDEMOENT

Kinnituspoldi pingutamiseks tuleb kasutada pöördemomenti 35–45 Nm. Niiduki ohutu töötamise tagamiseks tuleb regulaarselt kontrollida, et KÕIK mutrid ja poldid oleksid korralikult kinni keeratud. Pärast pikaajalist töötamist, eriti liivasel pinnal, lõiketera kulub ja kaotab mingil määral oma originaalse kuju. Selle tagajärjel niitmise tõhusus väheneb ning lõiketera tuleks välja vahetada.

Kasutage väljavahetamiseks ainult tehase poolt heakskiidetud lõiketera. Tootja ei vastuta lõiketera tasakaalustamatuse tagajärjel tekkida võivate kahjustuste eest.

Kasutage väljavahetamiseks ainult originaalset lõiketera, mille tüüp on märgitud lõiketerale (MAKITA 263001451)

## 13. VEAOTSING

| PROBLEEM   | VÕIMALIK PÕHJUS  | VEA KÕRVALDAMINE  |
|--|--|---|
| Mootor ei käivitu.                                       | Seguklapi asend ei vasta töötingimustele.  | Viige seguklapp õigesse asendisse.  |
|  | Kütusepaak on tühi.  | Lisage paaki kütust. Vt MOOTORI KASUTUSJUHEND.  |
|  | Õhupuhaсти element on määrdunud.   | Puhastage õhupuhaсти elementi. Vt MOOTORI KASUTUSJUHEND.  |
|  | Süüteküünal on lahti.  | Pingutage süüteküünalt, kasutades pöördemomenti kuni 25–30 Nm.  |
|  | Süüteküünla juhe on lahti või süüteküünla küljest lahti ühendatud.                 | Paigaldage süüteküünla juhe süüteküünlale.  |
|  | Süüteküünla elektrodide vahe on vale.  | Reguleerige elektrodide vahet, see peab olema 0,7 kuni 0,8 mm.  |
|  | Süüteküünal on rikkis.   | Paigaldage uus süüteküünal ja seadistage õige elektrodide vahe. Vt MOOTORI KASUTUSJUHEND.                                       |
|  | Karburaator on kütusest üleujutatud.   | Eemaldage õhupuhaсти element ja tõmmake pidevalt starteri nõõri, kuni karburaator puhastub, ning paigaldage õhupuhaсти element. |
|  | Süütemoodul on rikkis.   | Pöörduge Makita volitatud hooldusteenindusse.   |
| Mootorit on raske käivitada või võimsus puudub.          | Mustus, vesi või vana kütus kütusepaagis.  | Tühjendage kütusepaak ja puhastage see. Täitke paak uue puhta kütusega.   |
|  | Kütusepaagi korki õhuava on tõkestatud.  | Puhastage kütusepaagi korki või vahetage see välja.   |
|  | Õhupuhaсти element on määrdunud.   | Puhastage õhupuhaсти elementi.  |
| Mootor töötab ebaühtlaselt.                              | Süüteküünal on rikkis.   | Paigaldage uus süüteküünal ja seadistage õige elektrodide vahe. Vt MOOTORI KASUTUSJUHEND.                                       |
|  | Süüteküünla elektrodide vahe on vale.  | Reguleerige elektrodide vahet, see peab olema 0,7 kuni 0,8 mm.  |
|  | Õhupuhaсти element on määrdunud.   | Puhastage õhupuhaсти elementi. Vt MOOTORI KASUTUSJUHEND.  |
| Mootor töötab tühikäigul kehvasti.                       | Õhupuhaсти element on määrdunud.   | Puhastage õhupuhaсти elementi. Vt MOOTORI KASUTUSJUHEND.  |
|  | Mootorikatte õhuavad on blokeeritud.   | Eemaldage prügi õhutusavadelt.  |
|  | Mootori ventilaatori korpuse all olevad jahutusribid ja õhutusavad on blokeeritud. | Eemaldage prügi jahutusribidelt ja õhutusavadelt.   |
| Mootor jätab suurel pöörete arvul töötades takte vahele. | Süüteküünla elektrodide vahe on liiga väike.                                       | Reguleerige elektrodide vahet, see peab olema 0,7 kuni 0,8 mm.  |
| Mootor kuumeneb üle.                                     | Jahutusõhu ringlus on tõkestatud.  | Eemaldage mootorikatte piludelt, ventilaatori korpusest ja õhutusavadelt igasugune prügi.                                       |
|  | Vale süüteküünal.  | Paigaldage süüteküünal RJ19LMC ja jahutusribid mootorile.   |
| Niiduk vibreerib liigselt.                               | Lõikemehhanism on lahti.   | Pingutage lõiketera.  |
|  | Lõikemehhanism ei ole tasakaalus.  | Tasakaalustage lõiketera.   |

## 14. KESKKOND

Kui peaksite oma muruniiduki pärast pikaajalist kasutamist uue vastu välja vahetama, siis ärge pange vana niidukit olmejäätmete hulka, vaid kõrvaldage see kasutusest keskkonnaohutul viisil.

**Ainult Euroopa riikide jaoks**

**EÜ vastavusdeklaratsioon**

**Makita korporatsiooni vastutava tootjana kinnitame, et alljärgnev(ad) Makita seade (seadmed):**

Masina tähistus: Bensiinimootoriga muruniiduk

Mudeli nr/tüüp: PLM4621, PLM4622

Tehnilised andmed: vt "4. Tehnilised andmed"

on seeriatoodang ja

**vastavad järgmiste Euroopa direktiivide nõuetele:**

2006/42/EÜ, 2004/108/EÜ,

2000/14/EÜ ja 2005/88/EÜ

ning on toodetud vastavalt järgmistele standarditele või standardiseeritud dokumentidele:

EN836, EN ISO14982

Tehnilist dokumentatsiooni hoitakse meie volitatud

esindaja käes Euroopas, kelleks on:

Makita International Europe Ltd.,

Michigan, Drive, Tongwell,

Milton Keynes, MK15 8JD, Inglismaa

Vastavushindamismenetlus vastavalt direktiivile 2000/14/

EÜ oli kooskõlas lisaga VI.

Teavitatud asutus:

TÜV SÜD Industrie Service GmbH

Westendstraße 199, D-80686 München

ID-number 0036

Mudel PLM4621

Mõõdetud müratugevuse tase: 93,1 dB

Garanteeritud müratugevuse tase: 96 dB

Mudel PLM4622

Mõõdetud müratugevuse tase: 92,3 dB

Garanteeritud müratugevuse tase: 96 dB

11. 11. 2011



Tomoyasu Kato

Direktor

Makita Corporation

3-11-8, Sumiyoshi-cho,

Anjo, Aichi, JAPAN

**Objašnjenje opšteg prikaza**

- |  |                                 |                                  |
|--|---------------------------------|----------------------------------|
| 1. Gornja drška                        | 5. Ručica za pokretanje         | 11. Poklopac za gorivo           |
| 2. Ručica za kontrolu zaustavljanja    | 6. Vođica za konopac            | 12. Poklopac za ulje             |
| 3. Ručica kontrole automatskog rada    | 7. Dodatak za smeštanje trave   | 13. Stega za kabl                |
| 4. Poluga za podešavanje brzine motora | 8. Poluga za podešavanje visine | 14. Zavrtnaj za zaključavanje    |
|  | 9. Donja platforma              | 15. Poluga za podešavanje brzine |
|  | 10. Svećica                     |                                  |

**UPOZORENJE**

Radi sopstvene bezbednosti pročitajte ovaj priručnik pre nego što novu kosilicu počnete da koristite. Ukoliko se ne pridržavate uputstava, možete sebi naneti ozbiljne telesne povrede. Izdvojite nekoliko minuta da se upoznate sa svojom kosilicom pre svake upotrebe.

**1. SIMBOLI NA PROIZVODU**

Konsultujte korisnički priručnik.



Udaljite druge osobe iz područja na kojem kosite.



Obratite posebnu pažnju rukama i nogama korisnika kako biste izbegli povrede.



Otrovni izduvni gasovi; Nemojte koristiti kosilicu u kući.



Gorivo je zapaljivo, držite ga dalje od vatre. Nemojte da dodajete gorivo u uključenu kosilicu.



Savetuje se da osoba koja upravlja kosilicom nosi naočare i čepove za uši kao zaštitu.



Prilikom popravljivanja izvadite svećicu, a zatim popravite kosilicu kao što je navedeno u priručniku za korišćenje.



Pažnja: Motor je vruć.



Oslobodite dršku prekidača da biste zaustavili motor.



Pritisnite ručicu kontrole automatskog rada da biste pokrenuli kosilicu unapred.

**2. OPŠTA PRAVILA BEZBEDNOSTI**

**UPOZORENJE:** Kada koristite alate za gorivo uvek se pridržavajte osnovnih mera predostrožnosti, uključujući sledeće, kako biste smanjili rizik od ozbiljnih telesnih povreda i/ili oštećenja uređaja.

Pročitajte sva uputstva pre nego što počnete da koristite ovaj proizvod, a priručnik sačuvajte kako biste ubuduće mogli da ga konsultujete.



**UPOZORENJE:** Ova mašina stvara elektromagnetno polje tokom rada. U nekim okolnostima ovo polje može da ometa rad aktivnih ili pasivnih medicinskih implanta. Da bi se smanjio rizik od ozbiljne ili fatalne povrede, preporučujemo da osobe sa medicinskih implantima konsultuju lekara i proizvođača medicinskog implanta pre rada na mašini.

**Vežba**

- Pažljivo pročitajte uputstva. Upoznajte se sa kontrolama i ispravnom upotrebom opreme.
- Nikada nemojte dozvoliti deci niti ljudima koji nisu upoznati sa ovim uputstvima da koriste kosilicu. Lokalni propisi možda ograničavaju starost osobe koja može da upravlja kosilicom.
- Nikada nemojte da kosite dok su drugi ljudi, a naročito deca ili kućni ljubimci, u blizini.
- Imajte na umu da je osoba koja upravlja kosilicom odgovorna za nezgode ili nesreće nanete drugim osobama ili njihovoj imovini.

**Priprema**

- Dok kosite uvek nosite tvrdi obuća i duge pantalone. Nemojte koristiti opremu ako ste bos i niti ako nosite otvorene sandale.

- Temeljno ispitajte oblast na kojoj će se kosilica koristiti i uklonite sve predmete koje mašina može da odbije.
- UPOZORENJE – Benzin je veoma zapaljiv.
  - gorivo čuvajte u posudama koje su posebno namenjene za tu svrhu;
  - gorivo dosipajte isključivo napolju, a dok to radite nemojte da pušite;
  - sipajte gorivo pre nego što pokrenete motor. Nikada nemojte da skidate poklopac rezervoara za gorivo niti da dodajete gorivo ako je motor uključen ili vruć;
  - ako se benzin prospe, nemojte da pokrećete motor, već udaljite mašinu od površine na kojoj se gorivo prosulo i izbegavajte bilo kakve izvore paljenja sve dok isparenja benzina ne nestanu;
  - na bezbedan način vratite poklopce rezervoara i posude za gorivo.
- Zamenite prigušivače u kvaru.
- Pre upotrebe uvek proverite da sečiva, šrafovi sečiva i sklop za sečenje nisu pohabani ili oštećeni. Pohabana ili oštećena sečiva i šrafove zamenite u kompletu da biste održali ravnotežu.

## Upotreba

- Motor nemojte da koristite u zatvorenom prostoru gde može da dođe do skupljanja opasnih izduvnih gasova ugljenmonoksida.
- Kosite samo po danu ili pod dobrom veštačkom rasvetom.
- Izbegavajte korišćenje kosilice na mokroj travi ukoliko je to moguće.
- Uvek pazite gde gazite kada ste na nizbrdici.
- Hodajte, nikada nemojte da trčite.
- Kod modela sa vučom, kosite poprečno u odnosu na nizbrdicu, a nikada uzbrdo i nizbrdo.
- Budite veoma oprezni pri menjanju pravca na nizbrdici.
- Nemojte da kosite na previše strmim nizbrdicama.
- Budite veoma pažljivi kada kosilicu okrećete ili vučete ka sebi.
- Zaustavite rad sečiva ako morate da nagnete kosilicu tokom prelaska preko površina bez trave, kao i kada kosilicu prenosite ka površini koja treba da se kosi ili sa nje.
- Nikada nemojte da uključujete kosilicu ako su štitnici neispravni niti ako zaštitni delovi nisu na svom mestu, na primer bez štitnika za kamenčiće i/ili dodatka za smeštanje trave.
- Nemojte da menjate postavke upravljača motora niti da preforirate motor.
- Rastavite sve spojeve sečiva i pogona pre nego što pokrenete motor.
- Pažljivo pokrenite motor prema uputstvima, stopala udaljenih od sečiva.
- Nemojte da naginjete kosilicu prilikom pokretanja motora.
- Nemojte da pokrećete motor dok stojite ispred cevi za izbacivanje.
- Nemojte da stavljate ruke ili stopala blizu niti ispod rotirajućih delova. Uvek budite udaljeni od otvora za izbacivanje.
- Nikada nemojte da podižete niti da nosite kosilicu dok je motor uključen.
- Zaustavite motor i isključite kabl svećice, proverite da li su se svi pokretni delovi potpuno zaustavili, a ukoliko je kosilica opremljena ključem, izvucite ga:

- pre uklanjanja stanog tela koje blokira sečivo ili otpušavanja cevi za izbacivanje;
- pre provere, čišćenja ili rada sa kosilicom;
- nakon udarca u strano telo. Pregledajte da li je kosilica oštećena i popravite je pre nego što je ponovo uključite i počnete da je koristite;
- ako kosilica počne neuobičajeno da vibrira (odmah proverite).
- Zaustavite motor i isključite kabl svećice, proverite da li su se svi pokretni delovi potpuno zaustavili, a ukoliko je kosilica opremljena ključem, izvucite ga:
  - svaki put kada se udaljavate od kosilice;
  - pre dosipanja goriva.
- Prilikom isključivanja motora smanjite postavku gasa i, ukoliko je motor opremljen ventilom za prekidanje dovoda goriva, prekinite dovod goriva na kraju košenja.
- Kosilicu koristite samo za namene za koje je predviđena tj. za košenje i skupljanje trave. Svaki drugi način upotrebe može da bude opasan i da prouzrokuje oštećenje mašine.

## Održavanje i skladištenje

- Održavajte sve navrtke, zavrtnje i šrafove dobro pričvršćenim kako biste se uverili da je radno stanje kosilice bezbedno.
- Nikad nemojte da skladištite opremu sa benzinom u rezervoaru u prostoru u kojem izduvni gasovi mogu da dođu u kontakt sa otvorenim plamenom ili varnicom.
- Dopustite da se motor ohladi pre skladištenja u zatvorenom prostoru.
- Da biste smanjili rizik od požara, ne dozvolite da se u motoru, prigušivaču, odeljku za akumulator i prostoru za skladištenje benzina zadrži trava, lišće ili previše masti.
- Proverite da li dodatak za smeštanje trave nije dotrajao ili oštećen.
- Zamenite dotrajale ili oštećene delove iz bezbednosnih razloga.
- Ukoliko je potrebno da ispraznite rezervoar za gorivo, uradite to napolju.



**UPOZORENJE:** Nemojte da dodirujete rotirajuće sečivo.



**UPOZORENJE:** Gorivo dosipajte u dobro provetrenom prostoru dok je motor isključen.

## 3. OPIS DELOVA (Slike 1 i 2)

### Obuhvatajući

- A: Ključ za svećicu
- B: Dodatak za đubrenje

## 4. TEHNIČKI PODACI

| Model                                | PLM4621                     | PLM4622                      |
|--------------------------------------|-----------------------------|------------------------------|
| Tip motor                            | B&S serija 650E, ReadyStart | B&S serija 675EX, ReadyStart |
| Samostalno pokretanje                | Da                          | Da                           |
| Zapremina motora                     | 190 cc                      | 190 cc                       |
| Širina sečiva                        | 460 mm                      | 460 mm                       |
| Prazan hod                           | 2.800 o/min                 | 2.800 o/min                  |
| Kapacitet rezervoara za gorivo       | 1,0 l                       | 1,0 l                        |
| Kapacitet rezervoara za ulje         | 0,6 l                       | 0,6 l                        |
| Kapacitet dodatka za smeštanje trave | 60 l                        | 60 l                         |
| Neto težina                          | 33,8 kg                     | 35,4 kg                      |
| Podešavanje visine                   | 20-75 mm, 5 podeoka         | 20-75 mm, 5 podeoka          |
| Nivo buke u skladu sa EN836          |                             |                              |
| Nivo zvučnog pritiska ( $L_{pA}$ ):  | 81,5 dB (A)                 | 83,1 dB (A)                  |
| Nivo jačine zvuka ( $L_{wA}$ ):      | 93,1 dB (A)                 | 92,3 dB (A)                  |
| Neodređenost (K):                    | 2,41 dB (A)                 | 2,75 dB (A)                  |
| Nivo vibracija u skladu sa EN836     |                             |                              |
| Emisija vibracije ( $a_h$ ):         | 6,4 m/s <sup>2</sup>        | 7,5 m/s <sup>2</sup>         |
| Neodređenost (K):                    | 1,5 m/s <sup>2</sup>        | 1,5 m/s <sup>2</sup>         |

## 5. SKLAPANJE

### 5-1 SKLAPANJE SAVITLJIVE RUČKE

- Pričvrstite donje šipke ručke u telo uređaja pomoću zavrtnja za zaključavanje kao što je prikazano. (Slika 3, Slika 4, Slika 5, Slika 6)
- Otpustite gornje šipke ručke za savijanje. Povežite gornju ručku sa donjom ručkom pomoću zavrtnja za zaključavanje. (Slika 7, Slika 8)
- Postavite sve kablove iznad osovine ručke. Stegnite ih oko sredine donjih ručki pomoću stega za kabl tako da budu fiksirani sa spoljne strane mašine. U suprotnom kabl može da se priklješti prilikom otvaranja/zatvaranja zadnjeg poklopca ili da se pritisne prilikom sklapanja gornje ručke. (Slika 9)

### 5-2 SKLAPANJE DODATKA ZA SMEŠTANJE TRAVE

- Da biste ga zakačili: Podignite zadnji poklopac i zakačite dodatak za smeštanje trave za osovinu zadnjeg dela kosilice. (Slika 10, Slika 11)
- Da biste ga skinuli: Obuhvatite i podignite zadnji poklopac i skinite dodatak za smeštanje trave.

### 5-3 RUČICA ZA POKRETANJE

Pomerite ručicu za pokretanje od motora do vođice za konopac. (Slika 12, Slika 13)

### 5-4 VISINA KOŠENJA

Primenite spoljašnju pritisak da biste rastavili polugu od kućišta. Pomerite polugu napred ili nazad da biste podesili visinu. (Slika 14 i pogledajte stavku 8-9)

## 6. PODEŠAVANJE ODGOVARAJUĆE VISINE

- Izvučite zavrtnj za zaključavanje koji fiksira donju ručku, prema Slici 15.
- Pogledajte Sliku 16, pomerajte donju ručku gore-dole i podesite je na odgovarajuću visinu. Postoje 3 postavke visine koje je moguće odabrati na ovom tipu kosilice; na visini 1 donja ručka je najviše udaljena od tla, a na visini 3 najmanje.
- Podesite odgovarajuću visinu, a zatim fiksirajte donju ručku zavrtnjima za zaključavanje.



**UPOZORENJE:** Leva i desna strana donje ručke moraju biti podešene na istu visinu.

## 7. KOSILICA ZA ĐUBRENJE

Šta je đubrenje?

Prilikom đubrenja trava se kosi u jednom radnom koraku, a zatim se sitno seče i vraća na traku trave kao prirodno đubrivo.

Saveti za đubrenje pomoću kosilice:

- Normalno skraćivanje za najviše 2 cm skraćuje visinu trave sa 6 cm na 4 cm.
- Koristite oštar nož za rezanje.
- Nemojte da kosite vlažnu travu.
- Podesite maksimalnu brzinu motora.
- Krećite se samo normalnom radnom brzinom.
- Redovno čistite dodatak za đubrenje, unutrašnjost kućišta i sečivo za košenje.



**UPOZORENJE:** Samo kada je motor zaustavljen, a sečivo potpuno mirno.

1. Podignite zadnji poklopac i skinite dodatak za smeštanje trave;
2. Gurnite dodatak za đubrenje u donju platformu. Pomoću dugmeta zaključajte dodatak za đubrenje u otvor donje platforme. (Slika 17, Slika 18)
3. Ponovo spustite zadnji poklopac.

## 8. UPUTSTVO ZA UPOTREBU

### 8-1 PRE NEGO ŠTO POČNETE

Napunite motor benzinom i uljem kao što je navedeno u posebnom priručniku za motor koji ste dobili zajedno sa kosilicom. Pažljivo pročitajte uputstva.



**UPOZORENJE:** Benzin je veoma zapaljiv.

Gorivo čuvajte u posudama koje su posebno namenjene za tu svrhu.

Gorivo dosipajte isključivo napolju pre nego što uključite motor, a dok dosipate gorivo ili baratate njim nemojte da pušite.

Nikada nemojte da skidate poklopac rezervoara za gorivo niti da dodajete gorivo ako je motor uključen ili vruć.

Ako se benzin prospe, nemojte da pokrećete motor, već udaljite mašinu od površine na kojoj se gorivo prosulo i izbegavajte bilo kakve izvore paljenja sve dok isparenja benzina ne nestanu.

Na bezbedan način vratite poklopce rezervoara i posude za gorivo.

Ispraznite rezervoar za gorivo pre nego što prevnete kosilicu radi održavanja sečiva ili pražnjenja ulja.



**UPOZORENJE:** Nikada nemojte da dosipate gorivo kada ste u zatvorenom prostoru niti dok ne isključite motor i ostavite ga da se hladi barem 15 minuta nakon rada.

### 8-2 POKRETANJE MOTORA I AKTIVIRANJE SEČIVA

1. Uređaj je opremljen gumenim zaštitnikom koji se stavlja preko kraja svećice, uverite se da je metalna omča na kraju kabla svećice (u gumenom zaštitniku) dobro pričvršćena za metalni vrh svećice.
2. Ako pokrećete hladan motor, postavite polugu za podešavanje brzine motora u položaj „☁“. Ako pokrećete motor koje je već vruć i radi, postavite polugu za podešavanje brzine motora u položaj „☀“.  
(Slika 19)
3. Dok stojite iza uređaja obuhvatite ručicu za kontrolu zaustavljanja i držite je uz gornju dršku kao što je prikazano na Slici 20.
4. Obuhvatite ručicu za pokretanje kao što je prikazano na Slici 20 i brzim pokretom je povucite nagore. Polako je vratite do zavrtnja vodice za konopac nakon što se motor pokrene. Oslobodite ručicu za kontrolu zaustavljanja da biste zaustavili motor i sečivo.



Pažljivo pokrenite motor prema uputstvima, stopala udaljenih od sečiva.



Nemojte da naginjete kosilicu prilikom pokretanja motora. Pokrenite kosilicu na ravnoj površini bez visoke trave ili prepreka.



Držite ruke i stopala dalje od rotirajućih delova. Nemojte da pokrećete motor dok stojite ispred otvora za izbacivanje.

### 8-3 POSTUPCI RUKOVANJA

Prilikom rukovanja čvrsto držite ručicu za kontrolu zaustavljanja sa obe ruke.



**Napomena:** Ako se ručica za kontrolu zaustavljanja otpusti tokom rukovanja, motor će se zaustaviti što će dovesti do prestanka rada kosilice.

### 8-4 ZAUSTAVLJANJE MOTORA



**PAŽNJA:** Sečivo nastavlja da se rotira nekoliko sekundi nakon isključivanja motora.

1. Oslobodite ručicu za kontrolu zaustavljanja da biste zaustavili motor i sečivo.
2. Isključite i uzemljite kabl svećice kao što je navedeno u posebnom priručniku za motor kako biste sprečili slučajno pokretanje dok je oprema bez nadzora.

### 8-5 PREKIDAČ ZA SAMOPOKRETANJE

#### Za PLM4621

Pritisnite ručicu kontrole automatskog rada i kosilica će automatski krenuti napred brzinom od oko 1 m/s; pustite ručku prekidača i motor će se zaustaviti.

#### Za PLM4622

Kosilica je opremljena sistemom za podešavanje brzine koji omogućava izbor 3 brzine, od 3,0 km/h do 4,5 km/h. Postupite kao što je objašnjeno u nastavku:

1. Opuštajte ručicu kontrole automatskog rada sve dok kosilica ne krene napred.
2. Podesite željenu brzinu.
3. Obuhvatite ručicu kontrole automatskog rada da biste nastavili sa košenjem. (Slika 21)



**PAŽNJA:** Vaša kosilica je dizajnirana za košenje obične dvorišne visine ne veće od 250 mm.

Ne pokušavajte da kosite neobično visoku, suhu niti vlažnu travu (npr. pašnjake), kao ni gomile suvog lišća. Prljavština može da se nagomila na donjoj platformi ili da dođe u kontakt sa izduvnom cevi motora, što predstavlja rizik od požara.

### 8-6 KAKO DA POSTIGNETE NAJBOLJE REZULTATE PRILIKOM ĐUBRENJA

Očistite otpatke sa travnjaka. Uverite se da na travnjaku nema kamenja, štapova, žica ili ostalih stranih predmeta koje kosilica može slučajno da odbije u bilo kom smeru, te da dovede do ozbiljnih telesnih povreda osobe koja upravlja kosilicom i drugih osoba ili do oštećenja imovine i okolnih predmeta. Nemojte da kosite vlažnu travu. Kako bi đubrenje bilo efikasno, nemojte da kosite vlažnu travu koja može da se zalepi za donju površinu donje platforme što sprečava ispravno đubrenje pokošene trave. Nemojte da kosite više od 1/3 dužine trave.

Za đubrenje se preporučuje košenje 1/3 dužine trave. Brzina u odnosu na zemlju treba da bude podešena tako da pokošena trava može podjednako da se rasipa po

travnjaku. Za naročito teško košenje u gustoj travi možda ćete morati da koristite jednu od sporijih brzina kako biste postigli uredno košenje sa đubrenjem. Ako kosite dugačku travu za đubrenje možda ćete morati da kosite travnjak dva puta spuštajući sečivo za još jednu trećinu dužine za drugo košenje, a možda ćete morati da kosite poprečno u odnosu na prvi put.

Izvesno preklapanje putanja košenja pri svakom prelasku takođe pomaže pri čišćenju pokošene trave koja se zadržala na travnjaku. Uvek koristite kosilicu pri punom gasu da biste postigli najbolje rezultate košenja i da biste omogućili što efikasnije đubrenje. Očistite donju površinu donje platforme.

Nakon svake upotrebe očistite donju površinu donje platforme kosilice da biste sprečili nagomilavanje trave, a što bi sprečilo ispravno đubrenje pokošene trave.

Đubrenje lišćem. Đubrenje lišćem može takođe da bude korisno za vaš travnjak. Ako prelazite kosilicom preko lišća na travnjaku, uverite se da je suvo i da nije previše gusto. Nemojte da čekate da svo lišće opadne sa drveća pre nego što počnete sa ovim postupkom.



**UPOZORENJE:** Ako udarite u strani predmet, zaustavite motor. Izvucite kabl iz svećice, detaljno pregledajte da li je kosilica oštećena i popravite kvar pre nego što je ponovo uključite i počnete da je koristite. Prejako vibriranje kosilice tokom rada ukazuje na kvar. Uređaj treba što pre pregledati i popraviti.

## 8-7 DODATAK ZA SMEŠTANJE TRAVE

Ispraznite i očistite dodatak, uverite se da je čist i da mu je mreža provetrena. (Slika 22)

## 8-8 DONJA PLATFORMA

Nakon svake upotrebe očistite donju površinu donje platforme kosilice da biste sprečili nagomilavanje pokošene trave, lišća, blata ili drugog. Ako pustite da se ova prljavština nagomila, doći će do rđanja i korodiranja što može da spreči ispravno đubrenje. Donju platformu možete da se očistite tako što ćete nagnuti kosilicu i ostrugati je pomoću odgovarajućeg alata (uverite se da ste prethodno isključili kabl za svećicu).

## 8-9 UPUTSTVO ZA PODEŠAVANJE VISINE



**PAŽNJA:** Nikada nemojte da obavljate bilo kakva podešavanja na kosilici, a da prethodno niste zaustavili motor i isključili kabl za svećicu.



**PAŽNJA:** Zaustavite kosilicu i isključite kabl za svećicu pre nego što promenite visinu kosilice. Vaša kosilica je opremljena centralnom ručicom za podešavanje visine koja omogućava 5 položaja visine.

1. Zaustavite kosilicu i isključite kabl za svećicu pre nego što promenite visinu košenja kosilice.
2. Centralna ručica za podešavanje visine vam omogućava 5 različitih položaja visine.
3. Da biste promenili visinu košenja, gurnite ručicu za podešavanje prema točku pomerajući je nagore ili

nadole ka željenoj visini (Slika 23). Svi točkovi će biti na istoj visini košenja.

## 9. UPUTSTVO ZA ODRŽAVANJE SVEĆICA

Koristite samo originalne rezervnu svećicu. Da biste postigli najbolje rezultate, menjajte svećicu na svakih 100 sati rada. (konsultujte PRIRUČNIK ZA VLASNIKA MOTORA)

## 10. UPUTSTVO ZA PODMAZIVANJE



**PAŽNJA:** PRE SERVISIRANJA ISKLJUČITE SVEĆICU.

1. TOČKOVI - Podmažite kuglične ležajeve svakog točka blagim uljem najmanje jednom u sezoni.
2. MOTOR - Pratite uputstva za podmazivanje iz priručnika za motor.
3. KONTROLA SEČIVA - Podmažite blagim uljem glavne tačke ručice za kontrolu sečiva i kabl kočnice najmanje jednom u sezoni. Kontrola sečiva mora slobodno da radi u oba smera.

## 11. ČIŠĆENJE



**PAŽNJA:** Nemojte da prskate motor vodom. Voda može da ošteti motor ili da kontaminira sistem goriva.

1. Obrišite donju platformu suvom krpom.
2. Nagnite kosilicu tako da svećica bude sa gornje strane i isprskajte crevom donju platformu.

### 11-1 PROČIŠĆIVAČ VAZDUHA MOTORA



**PAŽNJA:** Ne dozvolite da se element za penu filtera za vazduh zapuši blatom ili prašinom.

Element za pročišćavanje vazduha motora mora da se servisira (očisti) nakon 25 sati normalnog košenja.

Element za penu mora redovno da se servisira ako se kosilica koristi u suvim, prašnjavim uslovima. (konsultujte PRIRUČNIK ZA VLASNIKA MOTORA)

### ČIŠĆENJE FILTERA ZA VAZDUH

1. Skinite šraf.
2. Skinite poklopac.
3. Operite filter element vodom u koju ste dodali deterđent. **NE KORISTITE BENZIN!**
4. Filter element osušite na vazduhu.
5. Stavite nekoliko kapi ulja SAE30 na filter za penu i iscedite ga jako da biste uklonili višak ulja.
6. Ponovo montirajte filter.



**NAPOMENA:** Zamenite filter ako je iskrzan, pocepan, oštećen ili ako ne može da se očisti. (Slika 24)



## 11-2 SEČIVO



**PAŽNJA:** Isključite i uzemljite kabl svećice pre nego što počnete da radite sa sečivom da biste sprečili slučajno pokretanje motora. Zaštitite ruke debelim rukavicama ili krpom prilikom hvatanja sečiva. Prevrnite kosilicu kao što je navedeno u posebnom priručniku za motor. Izvadite zavrtnj i podmetač koji pričvršćuju sečivo i adapter sečiva za radilicu motora. Uklonite sečivo i adapter iz radilice.



**UPOZORENJE:** S vremena na vreme pregledajte da li adapter sečiva ima pukotine, naročito ako udarite u strani predmet. Zamenite ga po potrebi. Najbolje rezultate ćete postići ako je sečivo oštro. Sečivo možete ponovo da naoštrite tako što ćete ga izvaditi i izbrusiti ili isturpiti održavajući kosinu što sličnijom originalnoj. Izuzetno je važno da obe oštrice budu podjednako izbrušene kako bi se sprečila neravnoteža sečiva. Neispravna ravnoteža sečiva dovešće do prejakog vibriranja, a što može da uzrokuje konačno oštećenje motora kosilice. Pažljivo balansirajte sečivo nakon oštrenja. Ravnoteža sečiva može da se testira balansiranjem na okrugloj osovini šrafčigera. Uklonite višak metala sa teže strane dok se ne dostigne ravnoteža. (Slika 25)

Pre nego što ponovo sklopite sečivo i adapter sečiva u uređaj, blagim uljem podmažite radilicu motora i unutrašnju površinu adaptera sečiva. Montirajte adapter sečiva na radilicu tako da „zvezda“ bude dalje od motora. Pogledajte **sliku 25**. Postavite sečivo tako da broj dela bude okrenut suprotno od adaptera. Poravnajte podmetač preko sečiva i umetnite zavrtnj. Pričvrstite zavrtnja do obrtnog momenta navedenog u daljem tekstu.

## 11-3 OBRтни MOMENAT MONTIRANJA SEČIVA

Centralni zavrtnj mora da bude pričvršćen do 35 - 45 Nm. Da biste omogućili bezbedan rad svog uređaja s vremena na vreme morate da proveravate da li su SVE navrtke i SVI zavrtnji dobro pričvršćeni. Nakon duže upotrebe, naročito u uslovima peskovitog tla, sečivo postaje pohabano i u izvesnoj meri gubi svoj originalni oblik. Smanjiće se efikasnost košenja, te sečivo treba zameniti.

Zamenite ga samo odobrenim fabričkim sečivom. Proizvođač nije odgovoran za moguće oštećenje do kog dolazi usled neravnoteže sečiva.

Kada menjate sečivo morate da koristite originalni tip obeležen na sečivu (MAKITA 263001451) (da biste naručili sečivo, obratite se svom lokalnom dobavljaču ili nazovite našu kompaniju).



**UPOZORENJE:** Nemojte da dodirujete rotirajuće sečivo.

## 11-4 MOTOR

Uputstva za održavanje motora potražite u posebnom priručniku za motor.

Ulje za motor održavajte kao što je navedeno u posebnom priručniku za motor koji ste dobili zajedno sa uređajem.

Pažljivo pročitajte i pratite uputstva.

Servisirajte prečišćivač vazduha kao što je navedeno u priručniku za motor u normalnim uslovima. U izuzetno prašnjavim uslovima čistite ga svakih nekoliko sati. Loš rad motora i curenje obično ukazuju da je potrebno servisiranje prečišćivača vazduha.

Prečišćivač vazduha servisirajte kao što je navedeno u posebnom priručniku za motor koji ste dobili zajedno sa uređajem.

Jednom u sezoni očistite svećicu i ponovo podesite rastojanje. Preporučuje se menjanje svećice na početku svake sezone košenja; konsultujte priručnik za motor da biste saznali koji je ispravan tip svećice, kao i specifikacije rastojanja.

Redovno čistite motor krpom ili četkom. Sistem za hlađenje (površina kućišta ventilatora) održavajte čistim da biste obezbedili ispravan protok vazduha što je neophodno za rad motora i njegov radni vek. Uklonite svu travu, blato i zapaljive otpatke iz oblasti prigušivača.

## 12. UPUTSTVO ZA SKLADIŠTENJE (VAN SEZONE)

Preduzmite sledeće korake da biste pripremili kosilicu za skladištenje.

1. Nakon poslednjeg košenja u sezoni ispraznite svo gorivo iz rezervoara.
2. Detaljno očistite i podmažite kosilicu kao što je opisano u uputstvu za podmazivanje.
3. Uputstvo za ispravno skladištenje motora potražite u priručniku za motor.
4. Sečivo kosilice premažite tankim slojem mašću za šasiju da biste sprečili rđanje.
5. Skladištite kosilicu na suvom i čistom mestu.



### NAPOMENA:

- Ako bilo koju vrstu opreme na struju skladištite u neprovetrenoj šupi ili u šupi za skladištenje materijala;
- Potrebno je zaštititi opremu od rđe. Premažite opremu blagim uljem ili silikonom, naročito kablove i sve pokretne delove.
- Obratite pažnju da ne savijete ili uvmetete kablove.
- Ako se konopac za pokretanje odvoji od vođice konopca na ručki, isključite i uzemljite kabl svećice, pritisnite ručicu za kontrolu sečiva i lagano izvucite konopac za pokretanje iz motora. Uvucite konopac za pokretanje u zavrtnj vođice za konopac na ručki.

## 13. REŠAVANJE PROBLEMA

| PROBLEM                                | MOGUĆI UZROK   | REŠENJE  |
|--|--|--|
| Motor se ne uključuje.                 | Čok ventila za dovod goriva nije u ispravnom položaju za preovlađujuće uslove. | Postavite čok ventila za dovod gasa u ispravan položaj.  |
|  | Rezervoar za gorivo je prazan.   | Napunite rezervoar gorivom. konsultujte PRIRUČNIK ZA VLASNIKA MOTORA.  |
|  | Element prečišćivača vazduha je prljav.  | Očistite element prečišćivača vazduha. konsultujte PRIRUČNIK ZA VLASNIKA MOTORA.   |
|  | Svećica je labava.   | Pričvrstite svećicu na 25 - 30 Nm.   |
|  | Kabl svećice je labav ili isključen sa svećice.                                | Pričvrstite kabl svećice za svećicu.   |
|  | Rastojanje svećice je neispravno.  | Podesite rastojanje između elektroda na 0,7 do 0,8 mm.   |
|  | Svećica je neispravna.   | Montirajte novu svećicu sa ispravnim rasojanjem: konsultujte PRIRUČNIK ZA VLASNIKA MOTORA.   |
|  | Karburator je potopljen gorivom.   | Uklonite element za prečišćavanje vazduha i kontinuirano povlačite konopac za pokretanje dok se karburator ne pročisti, a zatim montirajte element za pročišćivanje vazduha. |
| Motor se teško pokreće ili gubi snagu. | Modul za paljenje je neispravan.   | Obratite se ovlašćenom servisu kompanije Makita.   |
|  | Blato, voda ili ustajao rezervoar za gorivo.                                   | Ispustite gorivo i očistite rezervoar. Napunite rezervoar čistim, svežim gorivom.  |
|  | Otvor za ventilaciju rezervoara za gorivo je zapušten.                         | Očistite ili zamenite poklopac rezervoara za gorivo.   |
| Rad motora je nestalan.                | Element prečišćivača vazduha je prljav.  | Očistite element prečišćivača vazduha.   |
|  | Svećica je neispravna.   | Montirajte novu svećicu sa ispravnim rasojanjem: konsultujte PRIRUČNIK ZA VLASNIKA MOTORA.   |
|  | Rastojanje svećice je neispravno.  | Podesite rastojanje između elektroda na 0,7 do 0,8 mm.   |
| Rad motora u praznom jodu je loš.      | Element prečišćivača vazduha je prljav.  | Očistite element prečišćivača vazduha. konsultujte PRIRUČNIK ZA VLASNIKA MOTORA.   |
|  | Prorezi za vazduh na zaštitniku motora su blokirani.                           | Uklonite prljavštinu iz proreza.   |
|  | Propeleri i otvori za vazduh ispod kućišta ventilatora su blokirani.           | Uklonite prljavštinu iz propelera za hlađenje i otvora za vazduh.  |
| Motor preskače pri velikoj brzini.     | Rastojanje između elektroda svećice je premalo.                                | Podesite rastojanje između elektroda na 0,7 do 0,8 mm.   |
| Motor se pregreva.                     | Protok vazduha za hlađenje je ograničen.                                       | Uklonite prljavštinu iz proreza u zaštitniku, kućištu ventilatora i otvora za vazduh.  |
|  | Svećica je neispravna.   | Montirajte svećicu tipa RJ19LMC i propelere na motor.  |
| Kosilica neuobičajeno vibrira.         | Sklop za košenje je labav.   | Pričvrstite sečivo.  |
|  | Sklop za košenje nije balansiran.  | Dovedite sečivo u ravnotežu.   |

## 14. ŽIVOTNA SREDINA

Ukoliko je vašu mašinu potrebno zameniti nakon duže upotrebe, nemojte da je stavljate u otpad domaćinstva, već je odložite na način prilagođen zaštiti životne sredine.

**Samo za evropske zemlje**

**EC Deklaracija o usklađenosti**

**Korporacija Makita, kao odgovorni proizvođač, izjavljuje da sledeće Makita mašine:**

Namena mašine: Kosilica na benzin

Model br./tip: PLM4621, PLM4622

Specifikacije: Pogledajte odeljak „4. Tehnički podaci“ su iz serijske proizvodnje i

**usklađene su sa sledećim evropskim direktivama:**

2006/42/EC, 2004/108/EC,

2000/14/EC i 2005/88/EC

Takođe su proizvedeni u skladu sa sledećim standardima ili standardizovanim dokumentima:

EN836, EN ISO14982

Tehničku dokumentaciju održava naš zvanični predstavnik u Evropi, a to je:

Makita International Europe Ltd.,

Michigan, Drive, Tongwell,

Milton Keynes, MK15 8JD, Engleska

Procedura procene usklađenosti koju zahteva Odredba 2000/14/EC bila je u skladu sa aneksom VI.

Obaveštena strana:

TÜV SÜD Industrie Service GmbH

Westendstraße 199, D-80686 München

Identifikacioni broj: 0036

Model PLM4621

Izmereni nivo jačine zvuka: 93,1 dB

Garantovani nivo jačine zvuka: 96 dB

Model PLM4622

Izmereni nivo jačine zvuka: 92,3 dB

Garantovani nivo jačine zvuka: 96 dB

11. 11. 2011



Tomoyasu Kato

Direktor

Makita Corporation

3-11-8, Sumiyoshi-cho,

Anjo, Aichi, JAPAN

## 14. محیط زیست

اگر ماشین شما پس از استفاده دراز مدت نیاز به جایگزین شدن داشت، آن را در زیانه های داخلی قرار ندهید بلکه آن را به صورتی که برای محیط زیست ایمن باشد دفع کنید.

| مشکل   | علت احتمالی   | اقدام اصلاحی  |
|--|---|---|
|  | گوه کنترل بنزین برای شرایط معمولی در موقعیت صحیح قرار ندارد.              | گوه کنترل بنزین را به موقعیت صحیح حرکت دهید.  |
|  | مخزن بنزین خالی است.  | مخزن را با سوخت پر کنید: به دفترچه راهنمای مالک موتور مراجعه کنید.  |
|  | المنت فیلتر هوا کثیف است.   | المنت فیلتر هوا را تمیز کنید: به دفترچه راهنمای مالک موتور مراجعه کنید.   |
|  | شمع شل شده است.   | شمع را به 25 - 30 نیوتن متر محکم کنید.  |
| موتور روشن نمی شود.                                  | سیم شمع شل شده است یا از شمع قطع شده است.                                 | سیم شمع را روی شمع نصب کنید.  |
|  | شکاف شمع اشتباه است.  | شکاف بین الکترودها را بین 0.7 تا 0.8 میلی متر تنظیم کنید.   |
|  | شمع خراب است.   | شمع جدید، با شکاف های درست تنظیم شده را نصب کنید: به دفترچه راهنمای مالک موتور مراجعه کنید.                                   |
|  | کاربراتور از سوخت پر شده است.   | المنت فیلتر هوا را برداشته و ریسان شروع کننده را به طور پیوسته بکشید تا کاربراتور تمیز شود و سپس المنت فیلتر هوا را نصب کنید. |
|  | اتافک احتراق معیوب است.   | با مرکز خدمات مجاز Makita تماس بگیرید.  |
| موتور به سختی روشن می شود یا قدرتش را از دست می دهد. | مخزن بنزین کثیف، پر آب، یا کهنه شده است.                                  | سوخت را تخلیه کرده و مخزن را تمیز کنید. مخزن را با سوخت تمیز و تازه پر کنید.  |
|  | سوراخ تهویه در مخزن سوخت مسدود شده است.                                   | دروپوش مخزن سوخت را تمیز یا جایگزین کنید.   |
|  | المنت فیلتر هوا کثیف است.   | المنت فیلتر هوا را تمیز کنید.   |
|  | شمع خراب است.   | شمع جدید، با شکاف های درست تنظیم شده را نصب کنید: به دفترچه راهنمای مالک موتور مراجعه کنید.                                   |
| موتور به صورت نامنظم کار می کند.                     | شکاف شمع اشتباه است.  | شکاف بین الکترودها را بین 0.7 تا 0.8 میلی متر تنظیم کنید.   |
|  | المنت فیلتر هوا کثیف است.   | المنت فیلتر هوا را تمیز کنید: به دفترچه راهنمای مالک موتور مراجعه کنید.   |
|  | المنت فیلتر هوا کثیف است.   | المنت فیلتر هوا را تمیز کنید: به دفترچه راهنمای مالک موتور مراجعه کنید.   |
| موتور در حالت خلاص، ضعیف عمل می کند.                 | شکاف های هوای پوشش موتور بسته شده اند.                                    | خاک و ذرات را پاک کنید.   |
|  | پروانه های خنک کننده و گذرگاه های هوای زیر بدنه دمنده موتور بسته شده اند. | خاک و ذرات را از روزنه های خنک کننده و گذرگاه های هوا پاک کنید.   |
| موتور در سرعت بالا پرش می کند.                       | فاصله بین الکترودهای شمع خیلی نزدیک است.                                  | شکاف بین الکترودها را بین 0.7 تا 0.8 میلی متر تنظیم کنید.   |
| موتور بیش از حد داغ می شود.                          | جریان هوای خنک کننده محدود شده است.                                       | هرگونه خاک و ذرات را از پوشش، بدنه دمنده و گذرگاه های هوا پاک کنید.   |
|  | شمع اشتباه است.   | شمع و پروانه های خنک کننده RJ19LMC را روی موتور نصب کنید.   |
| ماشین چمن زنی به صورت غیر عادی می لرزد.              | قطعات برش به صورت شل سرهم شده است.  | پره را محکم کنید.   |
|  | قطعات برش به صورت غیر متوازن سرهم شده است.                                | پره را متوازن کنید.   |

3. المنت فیلتر را در آب کف دار بشویید. از گازوئیل استفاده نکنید!

4. المنت فیلتر را در معرض هوا خشک کنید.

5. چند قطره روغن SAE30 را روی پوشال فیلتر ریخته و آن را محکم فشار دهید تا روغن اضافی خارج شود.

6. فیلتر را دوباره نصب کنید.

 هشدار: پره در حال چرخش را لمس نکنید.

## 4-11 موتور

برای دستورالعمل‌های نگهداری موتور، به دفترچه راهنمای جداگانه موتور مراجعه کنید.

روغن موتور را همانطوری نگه دارید، که در دفترچه راهنمای جداگانه موتور که با واحد شما بسته بندی شده، آموزش داده شده است.

دستورالعمل‌ها را با دقت خوانده و دنبال کنید.

فیلتر هوا را طبق دفترچه راهنمای موتور، تحت شرایط نرمال سرویس کنید. تحت شرایط پر گرد و غبار، هر چند ساعت تمیز کنید. معمولاً کارایی ضعیف موتور و نشست، نشان دهنده آن است که فیلتر هوا باید سرویس شود.

برای سرویس فیلتر هوا، به دفترچه راهنمای جداگانه موتور که با واحد شما بسته بندی شده مراجعه کنید.

شمع باید یک بار در هر فصل تمیز شود و شکاف آن دوباره تنظیم شود. جایگزینی شمع در آغاز هر فصل چمن زنی توصیه می‌شود؛ برای نوع درست و مشخصات شکاف، دفترچه راهنمای موتور را بررسی کنید.

موتور را با یک پارچه با برس به طور مرتب تمیز کنید. برای امکان چرخش مناسب هوا که برای کارایی و عمر موتور ضروری است، سیستم خنک کننده (ناحیه بلنده دمنده) را تمیز نگه دارید. مطمئن شوید که چمن، خاک و ذرات قابل اشتعال را از ناحیه صدا خفه کن جدا کنید.


## 12. دستورالعمل‌های انبار کردن (فصل عدم استفاده)

گام‌های زیر باید برای آماده‌سازی ماشین چمن زنی برای انبار کردن برداشته شوند.


1. پس از آخرین برش فصل، به مخزن سوخت اجازه دهید تا خشک شود.
2. ماشین چمن زنی را همانطور که در دستورالعمل‌های روغن کاری توصیف شده، به طور کامل روغن کاری کنید.
3. برای دستورالعمل‌های درست انبار کردن موتور، به دفترچه راهنمای موتور مراجعه کنید.
4. پره ماشین چمن زنی را با کمی روغن گریس بپوشانید تا از زنگ زدگی جلوگیری کنید.
5. ماشین چمن زنی را در یک ناحیه خشک و تمیز انبار کنید.

 توجه:


- هنگام انبار کردن هرگونه تجهیزات قدرت در یک فضای فاقد تهویه یا انبار مواد؛
- باید با دقت به ضد زنگ کردن مواد اقدام شود. با استفاده از یک روغن سبک یا سیلیکون، تجهیزات را به‌خصوص کابل‌ها و تمام قسمت‌های متحرک را بپوشانید.
- مراقب باشید تا کابل‌ها تا نشده یا گره نخورند.
- اگر ریسبان شروع کننده از دسته یا ریسبان راهنما قطع شد، شمع را قطع و جدا کنید، دسته کنترل پره را فشار دهید و ریسبان راهنما را به آرامی بشکند و از موتور خارج کنید. ریسبان شروع کننده را درون پیچ ریسبان راهنمای روی دسته بلغزانیید.

 توجه: اگر فیلتر ساییده شده، پاره شده، آسیب دیده یا قابل تمیز کردن نیست، آن را جایگزین کنید. (شکل 24)

## 2-11 پره برنده

 احتیاط: برای پیشگیری از روشن شدن تصادفی موتور، مطمئن شوید که پیش از کار کردن روی پره برنده، شمع را قطع و خارج کنید. با استفاده از دستکش‌های ضخیم یا یک تکه کهنه، هنگام گرفتن پره‌های برنده، از دستان خود محافظت کنید.

ماشین چمن زنی را همانطور که در دفترچه راهنمای جداگانه موتور مشخص شده، کج کنید. پیچ و واشر را که پره و رابط پره را به میل لنگ موتور متصل می‌کنند بردارید. پره و رابط را از میل لنگ جدا کنید.

 هشدار: به طور منظم پره را برای ترک و ارسایی کنید، مخصوصاً اگر به یک جسم خارجی برخورد کردید. در صورت لزوم، آن را جایگزین کنید.

برای بهترین نتیجه، پره باید تیز باشد. پره می‌تواند با جدا کردن و ساییدن یا سوهان کاری لبه، با حفظ تورب اصلی تا جای ممکن، دوباره تیز شود. بسیار مهم است که هر لبه برش، مقداری متساوی سایش را دریافت کند تا نامتوازن شدن پره جلوگیری شود. توازن نامناسب پره باعث لرزش بیش از حد شده، و موجب آسیب احتمالی به موتور و ماشین چمن زنی می‌شود. پس از تیز کردن، مطمئن شوید که پره را با دقت متوازن کنید. توازن پره می‌تواند روی یک آچار محوری مورد آزمایش قرار بگیرد. فلز را از سمت سنگین‌تر بردارید تا در نهایت متوازن شود. (شکل 25)

پیش از سرهم کردن دوباره پره و رابط پره روی واحد، میل لنگ موتور و سطح درونی رابط پره را با روغن سبک، روغن کاری کنید. رابط پره را طوری روی میل لنگ نصب کنید که "ستاره" دور از موتور قرار بگیرد. به شکل 25 مراجعه کنید. پره را طوری قرار دهید که شماره قسمت آن، دور از رابط قرار بگیرد. واشر را روی پره همتراز کرده و پیچ را وارد کنید. پیچ را با گشتاور فهرست شده در پایین، محکم کنید.

## 3-11 گشتاور نصب پره

پیچ مرکزی باید با گشتاور 35 - 45 نیوتن متر محکم شود. برای تضمین کارکرد ایمن واحد خود، تمام پیچ و مهره‌ها باید برای سختی مناسب، در فواصل زمانی معین بررسی شوند. پس از استفاده طولانی‌مدت، به‌خصوص در شرایط شن و خاک آلود، پره فرسوده خواهد شد و بخشی از شکل اصلی خود را از دست خواهد داد. کارایی برش کاهش خواهد یافت، و پره باید جایگزین شود. فقط با یک پره جایگزین مورد تأیید کارخانه جایگزین کنید. آسیب احتمالی که از شرایط نامتوازن ایجاد شده باشد، در مسئولیت تولید کننده قرار ندارد.

هنگامی که پره را جایگزین می‌کنید، باید از نوع اصلی که روی پره نشان دار شده (MAKITA 263001451) استفاده کنید (برای سفارش دادن پره، لطفاً با فروشنده محلی خود یا با شرکت ما تماس بگیرید).

## 6-8 برای بهترین نتیجه در حین مالچ پاشی

چمن را از خاک و ذرات پاک کنید. مطمئن شوید که چمن از سنگ، چوب، سیم یا سایر اجسام خارجی که می توانند به طور تصادفی به وسیله ماشین چمن زنی در هر جهتی پرتاب شده و باعث جراحت شخصی به بکارگیرنده و سایرین و نیز آسیب به دارایی و اجسام اطراف شوند، خالی است. چمن خیس را نبرید. برای مالچ پاشی کاره، چمن خیس را نبرید زیرا به قسمت پایینی بدنه می چسبند و مانع مالچ پاشی مناسب بریده های چمن می شود. بیش از 1/3 طول چمن را نبرید.

برش توصیه شده برای مالچ پاشی 1/3 طول چمن است. سرعت زمینی نیاز به تنظیم دارد تا بریده های چمن بتوانند به صورت یکنواخت بر چمن پخش شوند. برای برش های خیلی سنگین در چمن انبوه، ممکن است لازم باشد که برای حصول یک برش تمیز خوب مالچ پاشی شده، از یکی از آهسته ترین سرعت ها استفاده شود. هنگام مالچ پاشی چمن بلند، ممکن است مجبور شوید چمن را به دو گذار تقسیم کرده، و برای برش دوم، پره را 1/3 دیگر پایین آورده و برش را با الگوی متفاوت از آنکه در بار اول استفاده شد انجام دهید.

همپوشانی اندک برش در هر گذار، به تمیز کردن برش های جامانده بر چمن کمک خواهد کرد. ماشین چمن زنی باید برای حصول بهترین برش و امکان انجام کارها ترین عمل مالچ پاشی، همیشه با کنترل بنزین حداکثر بکار گرفته شود. سطح زیرین بدنه را تمیز کنید. برای پرهیز از تجمع چمن که ممکن است از مالچ پاشی مناسب جلوگیری کند، مطمئن شوید که سطح زیرین بدنه برنده را پس از هر استفاده تمیز کنید. مالچ پاشی برگ ها، مالچ پاشی برگ ها نیز می توانند برای چمن ها سودمند باشند. هنگام مالچ پاشی برگ ها، مطمئن شوید که خشک هستند و ضخامت زیادی روی چمن ندارند. برای مالچ پاشی، منتظر ریختن تمام برگ ها از درختان نشوید.

**هشدار:** اگر با یک جسم خارجی برخورد کردید، موتور را خاموش کنید. سیم را از شمع خارج کنید، ماشین چمن زنی را به طور کامل برای هرگونه آسیب واریسی کرده و پیش از شروع مجدد و بکارگیری ماشین چمن زنی، آسیب را تعمیر کنید. لرنش بیش از حد ماشین چمن زنی در حین بکارگیری، یک نشانه آسیب است. واحد باید بی دنگ مورد واریسی قرار گرفته و تعمیر شود.

## 7-8 چمن گیر

کیسه را خالی و تمیز کنید، مطمئن شوید که تمیز باشد و تضمین کنید که توری آن به درستی تپویه می شود. (شکل 22)

## 8-8 بدنه

سطح زیرین بدنه ماشین چمن زنی باید برای پیشگیری از جمع شدن بریده های چمن، برگ، خاک یا سایر مواد، پس از هر استفاده تمیز شود. اگر خاک و ذرات اجازه انباشته شدن پیدا کند، باعث جذب زنگ و خوردگی خواهد شد، و ممکن است از مالچ پاشی مناسب جلوگیری کند. بدنه می تواند با کج کردن ماشین چمن زنی و تراشیدن با یک ابزار مناسب تمیز شود (مطمئن شوید که سیم شمع قطع شده باشد).

## 9-8 دستورالعمل های تنظیم ارتفاع

**احتیاط:** هرگز هیچگونه تنظیمی را روی ماشین چمن زنی، بدون اینکه اول موتور را متوقف، و سیم شمع را قطع کنید انجام ندهید.



**احتیاط:** پیش از تغییر دادن ارتفاع چمن زنی، ماشین چمن زنی را متوقف کرده و کابل شمع را قطع کنید. ماشین چمن زنی شما به یک اهرم مرکزی تنظیم ارتفاع مجهز است که 5 موقعیت ارتفاع را عرضه می کند.

1. پیش از تغییر دادن ارتفاع برش، ماشین چمن زنی را متوقف کرده و کابل شمع را قطع کنید.
2. اهرم مرکزی تنظیم ارتفاع به شما 5 موقعیت مختلف ارتفاع را عرضه می کند.
3. برای تغییر دادن ارتفاع برش، اهرم تنظیم را به سمت چرخ فشار داده، و برای تنظیم ارتفاع، به بالا یا پایین حرکت دهید (شکل 23). تمام چرخ ها در ارتفاع برش یکسانی قرار خواهند گرفت.

## 9. دستورالعمل های نگهداری



**شمع**  
فقط از شمع جایگزین اصل استفاده کنید. برای بهترین نتیجه، شمع را پس از هر 100 ساعت استفاده جایگزین کنید. (به دفترچه راهنمای مالک موتور مراجعه کنید)

## 10. دستورالعمل های روغن کاری



- احتیاط:** پیش از اقدام به سرویس، شمع را قطع کنید.
1. چرخ ها- بلبرینگ های هر چرخ را حداقل یکبار در هر فصل با یک روغن سبک، روغن کاری کنید.
  2. موتور- برای دستورالعمل های روغن کاری، دفترچه راهنمای موتور را دنبال کنید.
  3. کنترل پره- حداقل یکبار در هر فصل، نقاط سطح محوری روی دسته کنترل پره و کابل ترمز را با یک روغن سبک، روغن کاری کنید. کنترل پره باید از اندازه در هر دو جهت کار کند.

## 11. تمیز کردن



- احتیاط:** موتور را آب پاشی نکنید. آب می تواند به موتور آسیب برساند یا سیستم سوخت را آلوده کند.
1. بدنه را با پارچه خشک تمیز کنید.
  2. زیر بدنه را با کج کردن ماشین چمن زنی، به طوری که شمع بالا باشد آب پاشی کنید.

## 1-11 فیلتر هوای موتور



**احتیاط:** اجازه ندهید که آلودگی، المنت پوشال فیلتر هوا را مسدود کند.

المنت فیلتر هوای موتور باید پس از 25 ساعت چمن زنی عادی سرویس (تمیز) شود. اگر ماشین چمن زنی در شرایط خشک پر گرد و غبار مورد استفاده قرار می گیرد، المنت پوشال باید به طور مرتب سرویس شود. (به دفترچه راهنمای مالک موتور مراجعه کنید)

## تمیز کردن فیلتر هوا

1. پیچ را باز کنید.
2. درپوش را بردارید.

- سرعت موتور را روی حداکثر تنظیم کنید.
- فقط با سرعت کارآمد چمن زنی کنید.
- گوه مالچ پاشی، بدنه، قسمت داخلی و پره چمن زنی را به طور مرتب تمیز کنید.



موتور را با دقت، مطابق با دستورالعمل ها و به شکلی که پاهای خوبی از پره دور هستند روشن کنید.



هنگام روشن کردن موتور، ماشین چمن زنی را کج نکنید. ماشین چمن زنی را بر یک سطح هموار، فاقد چمن بلند یا موانع روشن کنید.



دست ها و پاهای خود را از قسمت های چرخان دور نگه دارید. هنگامی که در مقابل دهانه تخلیه ایستاده اید، موتور را روشن نکنید.

### 3-8 روندهای عملیاتی

درحین عملیات، دسته کنترل توقف را با هر دو دست محکم بگیرید.



توجه: درحین عملیات، هنگامی که دسته کنترل توقف رها می شود، موتور متوقف خواهد شد و بنابراین ماشین چمن زنی را از کار متوقف می کند.

### 4-8 متوقف کردن موتور



احتیاط: پس از خاموش کردن موتور، پره تا چند ثانیه به چرخش ادامه می دهد.

1. برای متوقف کردن موتور و پره، دسته کنترل توقف را رها کنید.
2. هنگامی که ماشین بدون مراقب است، برای جلوگیری از روشن شدن تصادفی، شمع را همانطور که در دفترچه راهنمای جداگانه موتور آموزش داده شده است، قطع کرده و جدا کنید.

### 5-8 اتصال برای حرکت خودکار

برای PLM4621

دسته کنترل خود را از 1 متر به جلو حرکت دهید، دسته با سرعتی در حدود 1 متر بر ثانیه به جلو حرکت خواهد کرد، دسته سوئیچ را رها کنید، حرکت ماشین چمن زنی متوقف خواهد شد.

برای PLM4622

ماشین چمن زنی مجهز به یک سیستم تنظیم سرعت است که می تواند 3 سرعت را از 3.0 کیلومتر بر ساعت تا 4.5 کیلومتر بر ساعت تنظیم کند. گام های زیر:

1. دسته کنترل خود را رها کنید تا جایی که ماشین چمن زنی به جلو حرکت نکند.
2. سرعت مناسبی را که می خواهید تنظیم کنید.
3. برای ادامه چمن زنی، دسته کنترل خود را رها کنید. (شکل 21)



احتیاط: ماشین چمن زنی شما برای بریدن چمن مسکونی معمولی با ارتفاعی کمتر از 250 میلی متر طراحی شده است. سعی نکنید از میان چمنی که به شکلی غیر عادی بلند، خشک یا خمیس است (مانند علفزار) یا توده های برگ های خشک حرکت کنید. ممکن است خاک و ذرات روی بدنه ماشین چمن زنی جمع شود یا با آگروز موتور تماس پیدا کند که می تواند باعث خطر بالقوه آتش سوزی شود.

**هشدار:** فقط با موتور متوقف شده و برنده بی حرکت.

1. پوشش پشتی را بلند کرده و چمن گیر را بردارید؛
2. گوه مالچ پاشی را فشار داده و وارد بدنه کنید. گوه مالچ پاشی را با دکمه به داخل دهانه روی بدنه قفل کنید. (شکل 17، شکل 18)
3. دوباره پوشش پشتی را پایین بیاورید.

## 8. دستورالعمل های عملیاتی

### 1-8 پیش از شروع کردن

موتور را همانطور که در دفترچه راهنمای موتور جداگانه همراه با ماشین چمن زنی شما آموزش داده شده است، با گازویل و روغن سرویس کنید. دستورالعمل ها را با دقت مطالعه کنید.



**هشدار:** بنزین به شدت قابل اشتعال است. سوخت را در مخزن هایی که به طور اختصاصی برای این منظور طراحی شده اند ذخیره کنید.

پیش از روشن کردن موتور، فقط در فضای آزاد سوختگیری کنید و در حین سوختگیری با بکاربردن سوخت، سیگار نکشید. هرگز درپوش مخزن سوخت را برندارید یا بنزین را در حالی که موتور در حال کار کردن است یا موتور داغ است اضافه نکنید. اگر بنزین بیرون ریخت، موتور را روشن نکنید، بلکه ماشین را از ناحیه ریختگی دور کرده و تا پراکندن شدن بخارات بنزین، از ایجاد هرگونه منبع احتراق دوری کنید.

همه درپوش های مخزن و محافظه سوخت را به صورت ایمن جایگزین کنید. پیش از واژگون کردن ماشین چمن زنی برای نگهداری پره یا خالی کردن روغن، سوخت را از مخزن خارج کنید.



**هشدار:** سوخت را هرگز در فضای بسته، درحین کار کردن موتور یا پیش از اجازه دادن به موتور برای خنک شدن پس از کار برای حداقل 15 دقیقه، پر نکنید.

### 2-8 روشن کردن موتور و درگیر کردن پره

1. این واحد مجهز به یک میخ لاستیکی در انتهای شمع است، مطمئن شوید که حلقه فلزی در انتهای سیم شمع (داخل میخ لاستیکی) به شکلی ایمن دور نوک فلزی بر شمع بسته شده است.
2. هنگام روشن کردن موتور سرد، اهرم سرعت را به موقعیت "مخ" بچرخانید. هنگام روشن کردن موتور گرم و بکارگیری آن، اهرم سرعت را به موقعیت "سر" بچرخانید. (شکل 19)
3. با ایستادن در پشت واحد، دسته کنترل توقف را گرفته و آن را همانطور که در شکل 20 نشان داده شده در برابر دسته بالایی نگه دارید.
4. دسته شروع کننده را همانطور که در شکل 20 نشان داده شده بگیرید و آن را با سرعت بکشید. پس از روشن شدن موتور، آن را به آرامی به پیچ ریسپان رهنما بازگردانید. برای متوقف کردن موتور و پره، دسته کنترل توقف را رها کنید.



## 4. داده های فنی

| مدل                        | PLM4621                    | PLM4622                     |
|----------------------------|----------------------------|-----------------------------|
| نوع موتور                  | موتور ReadyStart .B&S 650E | موتور ReadyStart .B&S 675EX |
| خود کشش                    | بله                        | بله                         |
| جایگذاری موتور             | 190 سی سی                  | 190 سی سی                   |
| پهنای پره                  | 460 میلی متر               | 460 میلی متر                |
| سرعت در حالت خلاص          | 2,800/دقیقه                | 2,800/دقیقه                 |
| ظرفیت مخزن سوخت            | 1.0 لیتر                   | 1.0 لیتر                    |
| ظرفیت مخزن روغن            | 0.6 لیتر                   | 0.6 لیتر                    |
| ظرفیت کیسه چمن گیر         | 60 لیتر                    | 60 لیتر                     |
| وزن خالص                   | 33.8 کیلوگرم               | 35.4 کیلوگرم                |
| تنظیم ارتفاع               | 75-20 میلی متر، 5 تنظیم    | 75-20 میلی متر، 5 تنظیم     |
| سروصدا طبق EN836           |                            |                             |
| سطح فشار صوت ( $L_{pA}$ ): | 81.5 دسی بل (A)            | 83.1 دسی بل (A)             |
| سطح توان صوت ( $L_{wA}$ ): | 93.1 دسی بل (A)            | 92.3 دسی بل (A)             |
| عدم قطعیت (K):             | 2.41 دسی بل (A)            | 2.75 دسی بل (A)             |
| لرزش طبق EN836             |                            |                             |
| انتشار لرزش ( $a_h$ ):     | 6.4 متر/ثانیه <sup>2</sup> | 7.5 متر/ثانیه <sup>2</sup>  |
| عدم قطعیت (K):             | 1.5 متر/ثانیه <sup>2</sup> | 1.5 متر/ثانیه <sup>2</sup>  |

## 5. سرهم کردن

### 1-5 سرهم کردن دسته تاشو

- دسته های پایینی را همانطور که نشان داده شده، با برآمدگی قفل کننده در داخل بدنه ثابت کنید. (شکل 3، شکل 4، شکل 5، شکل 6)
- دسته های بالایی را برای تا کردن، رها کنید. دسته بالایی و دسته پایینی را با برآمدگی قفل کننده متصل کنید. (شکل 7، شکل 8)
- همه کابل ها را در طول محور های دسته ها قرار دهید. آن ها را با استفاده از گیره های کابل، در اطراف میانه دسته های پایینی محکم کنید تا کابل ها در بیرون ماشین ثابت شوند. در غیر این صورت، کابل ها ممکن است با باز کردن/بستن پوشش عقبی فشرده شوند یا با تا کردن دسته بالایی تحت فشار قرار بگیرند. (شکل 9)

### 2-5 سرهم کردن چمن گیر

- سوار کردن: پوشش پشتی را بالا برده و چمن گیر را در محور پشت ماشین چمن زنی بپاویزید. (شکل 10، شکل 11)
- برداشتن: پوشش پشتی را گرفته و بلند کنید، چمن گیر را بردارید.

### 3-5 دسته شروع کننده

دسته شروع کننده را از موتور به ریسان راهنما حرکت دهید. (شکل 12، شکل 13)

### 4-5 ارتفاع برش

برای جدا کردن اهرم از چرخ دنده دار، فشار رو به بالا وارد کنید. برای تنظیم ارتفاع، اهرم را به جلو یا عقب حرکت دهید. (شکل 14 و بند 8-9)

## 6. تنظیم یک ارتفاع مناسب

- برآمدگی قفل کننده را که دسته پایینی را ثابت نگه داشته بود بیرون آورید، به شکل 15 مراجعه کنید.
- به شکل 16 مراجعه کنید، دسته را به بالا و پایین حرکت داده، آن را به ارتفاع مناسب تنظیم کنید.
- 3 تنظیم ارتفاع برای انتخاب در این نوع ماشین چمن زنی وجود دارد؛ در ارتفاع 1، دسته پایینی بالاترین ارتفاع را نسبت به زمین دارد، ارتفاع 3 کم ارتفاع ترین است.
- ارتفاع مناسب را تنظیم کنید، سپس دسته پایینی را با قفل کردن برآمدگی ها ثابت کنید.



هشدار: سمت چپ و سمت راست دسته پایینی باید با ارتفاع یکسان تنظیم شود.

## 7. ماشین چمن زنی مالچ پاش

- مالچ پاشی چیست؟  
 هنگام مالچ پاشی، چمن در یک مرحله کاری بریده شده، سپس به صورت بسیار ریز قطعه قطعه می شود و به عنوان یک کود طبیعی، به آن قطعه چمن بازگردانده می شود.  
 اشاره هایی برای چمن زنی مالچ پاشی:  
 - برش، به طور منظم تا حداکثر 2 سانتی متر از ارتفاع 6 تا 4 سانتی متری چمن است.  
 - از یک تیغه برش تیز استفاده کنید.  
 - چمن خیس را چمن زنی نکنید.

- در فضای باز سوختگیری را انجام دهید و هنگام سوختگیری سیگار نکشید؛
- سوخت را پیش از روشن کردن موتور اضافه کنید. هرگز درپوش مخزن سوخت را برنارید یا بنزین را در حالی که موتور در حال کار کردن است یا موتور داغ است اضافه نکنید.
- اگر بنزین بیرون ریخت، موتور را روشن نکنید، بلکه ماشین را از ناحیه ریختگی دور کرده و تا پراکنده شدن بخارات بنزین، از ایجاد هرگونه منبع احتراق دوری کنید؛
- درپوش های مخزن و محافظه سوخت را به صورت ایمن جایگزین کنید.
- صدا خفه کن های معیوب را جایگزین کنید.
- پیش از استفاده، همیشه وارسی کنید که پره، پیچ و مهره ها و قطعات مونتاژ شده دستگاه برش فرسوده یا آسیب دیده نباشند. برای حفظ تعادل، پره ها و پیچ های فرسوده با آسیب دیده در مجموعه را جایگزین کنید.

## بکارگیری

- موتور را درجایی که فضای محدود داشته و گازهای مونو اکسید کربن می توانند در آن جمع شوند، بکار نگیرید.
- فقط در نور روز یا نور مصنوعی مناسب اقدام به چمن زنی کنید. در صورت امکان، از بکارگیری تجهیزات در چمن مرطوب خودداری کنید.
- همیشه از وضعیت مناسب خود در مناطق شیب دار مطمئن باشید. راه بروید، هرگز نلویید.
- برای ماشین های چرخ دار، از عرض شیب ها چمن زنی کنید، نه به صورت بالا و پایین.
- هنگام تغییر جهت در شیب ها، احتیاط شدیدی را بکار بگیرید.
- سطح های بسیار شیب دار را چمن زنی نکنید.
- هنگام برعکس کردن یا کشیدن ماشین چمن زنی به سمت خود، احتیاط شدیدی را بکار گیرید.
- اگر ماشین چمن زنی هنگام گذر از سطوحی به غیر از چمن، باید کج شود، و هنگام جا به جایی ماشین چمن زنی به ناحیه ای که باید چمن زنی شود و برعکس، پره (ها) را متوقف کنید.
- هرگز از ماشین چمن زنی با محافظ های معیوب، یا بدون دستگاه های ایمنی، مانند منحرف کننده و یا چمن گیر، در جای خود، استفاده نکنید.
- تنظیمات گاز موتور را تغییر ندهید یا بیش از حد از موتور استفاده نکنید.

- پیش از روشن کردن موتور، تمام کلاچ ها و پره ها را خلاص کنید. موتور را با دقت، مطابق با دستورالعمل ها و به شکلی که پاها به خوبی از پره (ها) دور هستند روشن کنید.
- هنگام روشن کردن موتور، ماشین چمن زنی را کج نکنید.
- هنگامی که در مقابل مجرای تخلیه ایستاده اید، موتور را روشن نکنید.
- دستان یا پاهای خود را در نزدیکی قسمت های چرخان قرار ندهید. دهانه تخلیه را همیشه تمیز نگه دارید.
- هرگز ماشین چمن زنی را در حین چمن زنی که موتور آن روشن است، بلند نکرده یا حمل نکنید.
- موتور را متوقف کرده و شمع را قطع کنید، مطمئن شوید که تمام قسمت های متحرک به توقف کامل رسیده اند و، در جایی که یک کلید جای گرفته است، کلید را خارج کنید:
- پیش از پاک کردن مسدودیت ها یا باز کردن مجرا؛
- پیش از بررسی، تمیز کردن یا کارکردن روی ماشین چمن زنی؛
- پس از ضربه زدن به یک جسم خارجی. پیش از شروع مجدد و بکارگیری ماشین چمن زنی، ماشین چمن زنی را برای آسیب وارسی کرده و تعمیر کنید؛

- اگر ماشین چمن زنی به شکل غیر عادی شروع به لرزیدن کند (بلافاصله بررسی کنید).
- موتور را متوقف کرده و شمع را قطع کنید، مطمئن شوید که تمام قسمت های متحرک به توقف کامل رسیده اند و، در جایی که یک کلید جای گرفته است، کلید را خارج کنید.
- هرگاه که ماشین چمن زنی را ترک می کنید؛
- پیش از سوختگیری.
- تنظیمات کنترل بنزین را هنگام خاموش کردن موتور کاهش دهید، و اگر موتور دارای یک شیر قطع کننده است، سوخت را در پایان چمن زنی قطع کنید.
- از ماشین چمن زنی فقط برای هدفی که برایش طراحی شده، یعنی بریدن و جمع آوری چمن، استفاده کنید. هرگونه استفاده دیگری می تواند خطرناک بوده، و باعث آسیب دیدن ماشین شود.

## نگهداری و انبار کردن

- برای اطمینان از اینکه تجهیزات در شرایط کار ایمن هستند، تمام مهره ها، پیچ ها و سرپیچ ها را محکم نگه دارید.
- هرگز تجهیزات را با بنزین داخل مخزن، در ساختمانی که گازها می توانند به شعله یا جرقه رویاز برسند قرار ندهید.
- اجازه دهید تا موتور پیش از انبار کردن در هرگونه محوطه بسته ای، خنک شود.
- برای کاهش خطر آتش سوزی، موتور، صدا خفه کن، محافظه باتری و ناحیه ذخیره بنزین را عاری از هرگونه چمن، برگ یا روغن زیاد نگه دارید.
- چمن گیر را برای فرسودگی یا زوال، به طور متناوب بررسی کنید.
- برای ایمنی، قسمت های فرسوده یا آسیب دیده را جایگزین کنید.
- در صورت نیاز به خالی کردن مخزن بنزین، این کار باید در محوطه باز انجام شود.



هشدار: پره در حال چرخش را لمس نکنید.



هشدار: سوختگیری را در ناحیه ای با تهویه مناسب و هنگام توقف موتور انجام دهید.

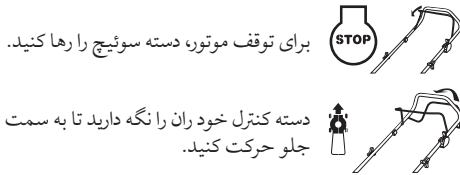
## 3. توضیح قطعات (شکل 1 و 2)

شامل

A: آچار شمع  
B: گوه مالچ پاشی

توضیح دیدگاه کلی

- |                       |                      |                       |
|-----------------------|----------------------|-----------------------|
| 11. درپوش سوخت        | 6. ریسمان راهنما     | 1. دسته فوقانی        |
| 12. درپوش روغن        | 7. کیسه چمن          | 2. دسته کنترل توقف    |
| 13. گیره کابل         | 8. اهرم تنظیم ارتفاع | 3. دسته کنترل خود ران |
| 14. برآمدگی قفل کننده | 9. بدنه              | 4. اهرم سرعت موتور    |
| 15. اهرم تنظیم سرعت   | 10. شمع              | 5. دسته شروع کننده    |



برای توقف موتور، دسته سوئیچ را رها کنید.  
دسته کنترل خود ران را نگه دارید تا به سمت جلو حرکت کنید.



هشدار

برای ایمنی خود، لطفاً پیش از تلاش برای بکارگیری واحد جدید خود، این دستورالعمل ها را مطالعه کنید. دنبال نکردن دستورالعمل ها می تواند موجب آسیب دیدگی شخصی جدی شود. پیش از هر استفاده، چند دقیقه را صرف آشنا شدن با ماشین چمن زنی خود کنید.

2. مقررات ایمنی عمومی



هشدار: هنگام استفاده از ابزارهای بنزین، احتیاط های ایمنی، شامل موارد زیر، باید همیشه دنبال شوند تا خطر جراحت جدی به شخص و یا به واحد کاهش یابد.  
تمام این دستورالعمل ها را پیش از بکارگیری این محصول بخوانید و این دستورالعمل ها را برای مراجعه در آینده نگه دارید.



هشدار: این ماشین در حین کارکرد، یک میدان الکترومغناطیسی ایجاد می کند. این میدان ممکن است در برخی شرایط با ایمپلنت های پزشکی فعال یا غیر فعال تداخل ایجاد نماید. برای کاهش دادن خطر آسیب جدی یا مرگبار، ما پیشنهاد می کنیم که افراد دارای ایمپلنت های پزشکی، پیش از به کارگیری این ماشین با پزشک خود و تولید کننده ایمپلنت پزشکی مشورت کنند.

آموزش

- این دستورالعمل ها را با دقت بخوانید. با کنترل ها و استفاده درست از تجهیزات آشنا شوید.
- هرگز به کودکان یا افراد نا آشنا با این دستورالعمل ها اجازه استفاده از ماشین چمن زنی را ندهید. مقررات محلی می توانند سن بکارگیرنده را محدود کنند.
- هرگز در حسینی که مردم، به ویژه کودکان، یا حیوانات در نزدیکی شما هستند اقدام به چمن زنی نکنید.
- به یاد داشته باشید که بکارگیرنده یا کاربر، مسئول تصادف ها یا خطرهایی است که به سایر افراد یا دارایی هایشان وارد می شود.

آماده سازی

- در حین چمن زنی، همیشه کفش های محکم و شلوار بلند بپوشید. تجهیزات راه هنگامی که با پای برهنه هستید یا سندل های باز پوشیده اید بکار نگیرید.
- منطقه ای را که در آن از تجهیزات استفاده خواهید کرد به طور کامل مورد واریسی قرار دهید و تمام اجسامی را که می توانند به وسیله ماشین پرتاب شوند بردارید.
- هشدار- بنزین به شدت قابل اشتعال است.
- سوخت را در مخزن هایی که به طور اختصاصی برای این منظور طراحی شده اند ذخیره کنید؛

1. نمادهای نشانه گذاری شده بر محصول

دقتچه راهنمای بکارگیرنده را مطالعه کنید.

تماشاگران را دور نگه دارید.

برای پرهیز از جراحت، توجه بیشتری به دستان و پاهای بکارگیرنده کنید.

گازهای سمی؛ در داخل خانه بکار نگیرید.

سوخت قابل اشتعال است، آتش را از آن دور نگه دارید. هنگام کار ماشین، به آن سوخت اضافه نکنید.

هنگام چمن زنی، برای حفاظت از شخص چمن زن، لطفاً از عینک و گوشگیر استفاده کنید.

هنگام تعمیر، لطفاً شمع را برداشته، سپس آن را مطابق با دقتچه راهنمای عملیاتی تعمیر کنید.

احتیاط: موتور داغ است.



**Makita Corporation**  
Anjo, Aichi, Japan

[www.makita.com](http://www.makita.com)

PLM4621-25L-1111

ALA