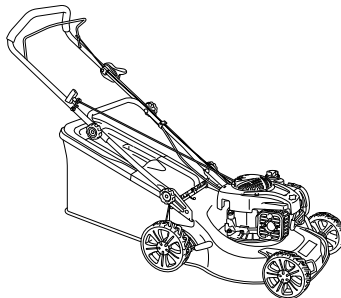
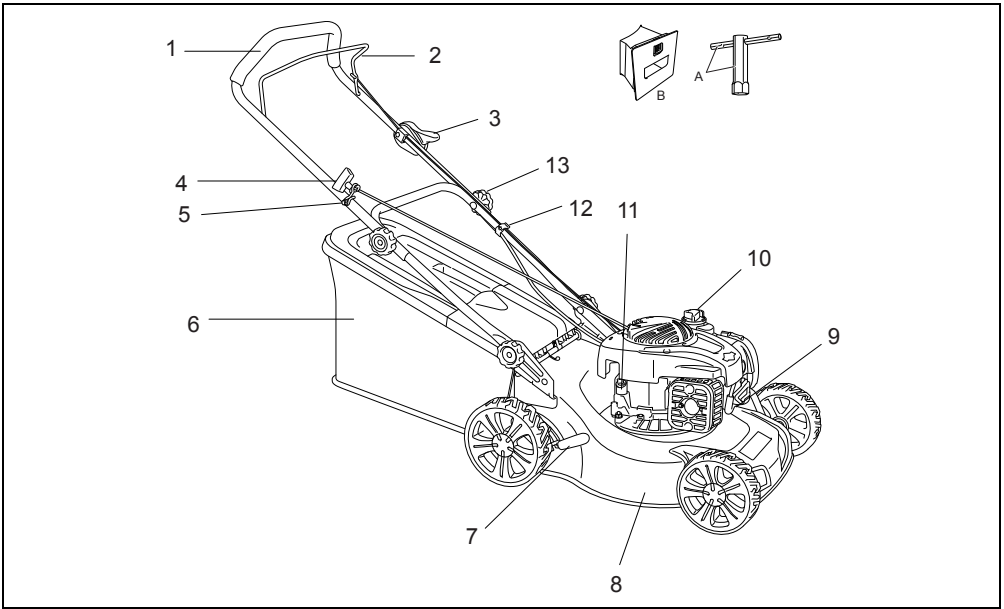




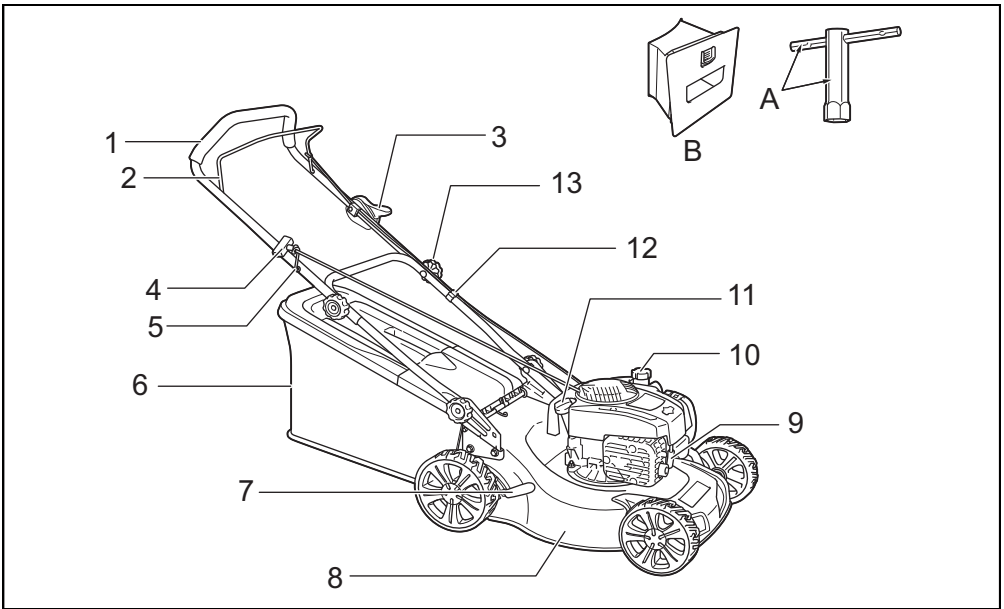
GB	Petrol Lawn Mower	Original Instruction manual
F	Tondeuse Thermique	Manuel d'instructions d'origine
D	Benzin-Rasenmäher	Original-Bedienungsanleitung
I	Rasaerba con motore a benzina	Manuale di istruzioni originale
NL	Grasmaaier met benzinemotor	Oorspronkelijke gebruiksaanwijzing
E	Cortadora de Cesped a Gasolina	Manual de instrucciones original
P	Cortador de Grama a Gasolina	Manual de instruções original
DK	Benzinplæneklipper	Original brugsanvisning
GR	Βενζινοκίνητο χλοοκοπτικό	Πρωτότυπο εγχειρίδιο οδηγιών
TR	Benzinli çim biçme makinesi	Orijinal Kullanım kılavuzu
S	Bensindriven gräsklippare	Bruksanvisning
N	Bensindrevet gressklipper	Original bruksanvisning
FIN	Bensiinikäyttöinen ruohonleikkuri	Alkuperäinen käyttöohje
LV	Benzīna zāles pļaujmašīna	Orīginālā lietošanas rokasgrāmata
LT	Benzininė žoliapjovė	Originali naudojimo instrukcija
EE	Bensiinimootoriga muruniiduk	Originaalne kasutusjuhend
PL	Spalinowa kosiarka do trawy	Oryginalna Instrukcja Obsługi
HU	Benzinmotoros fűnyíró	Eredeti használati útmutató
SK	Benzínová kosačka	Pôvodný návod na obsluhu
CZ	Benzínová sekačka na trávu	Originální návod k obsluze
SI	Kosilnica z bencinskim motorjem	Originalni priročnik navodil
AL	Kositëse bari me naftë	Manuali origjinal i udhëzimeve
BG	Бензинова косачка за трева	Оригинално ръководство за експлоатация
HR	Benzinska kosilica za travu	Originalni priručnik s uputama
MK	Бензинска косилка	Оригинално упатство за употреба
RO	Mașină de tuns iarba pe bază de benzină	Manual de instrucțiuni al producătorului
RS	Бензинска косилица за траву	Оригинални приручник са упутствима
RUS	Бензогазонокосилка	Оригинальное руководство по эксплуатации
UA	Бензинова газонокосарка	Оригінальні інструкції з експлуатації
PR	ماشین چمن زنی بنزینی	دفترچه راهنمای اصلی
AR	جهازة عشب تعمل بالبنزين	دليل التعليمات الأصلية

PLM4120N
PLM4620N2

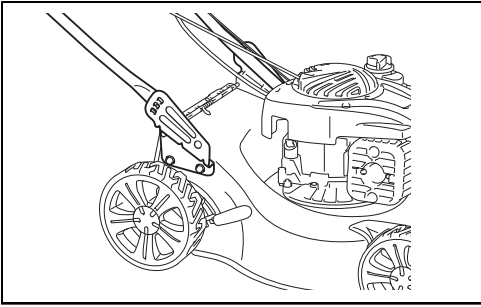




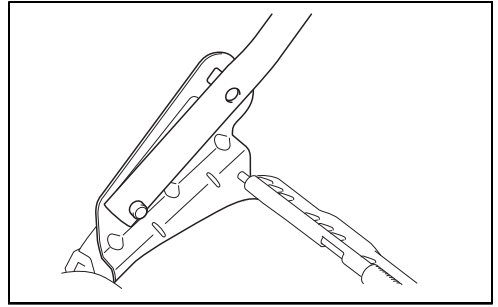
1 PLM4120N



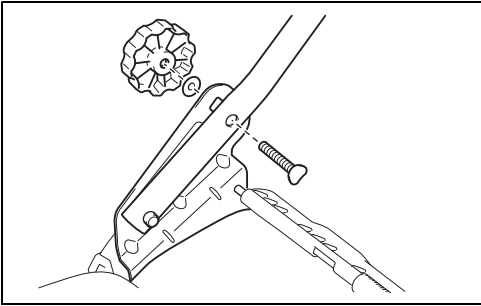
2 PLM4620N2



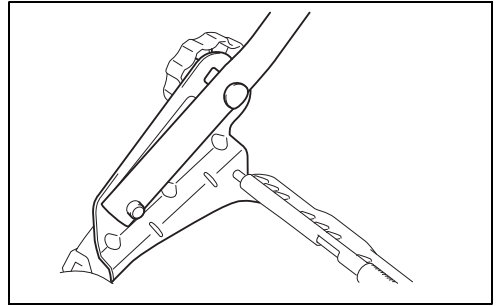
3



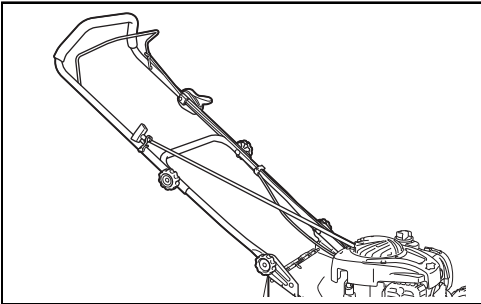
4



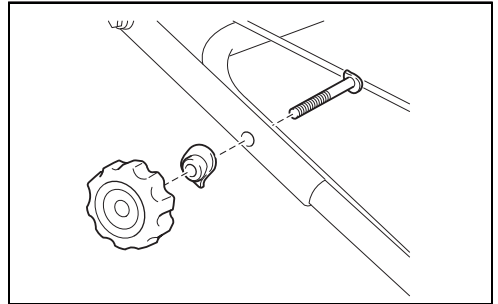
5



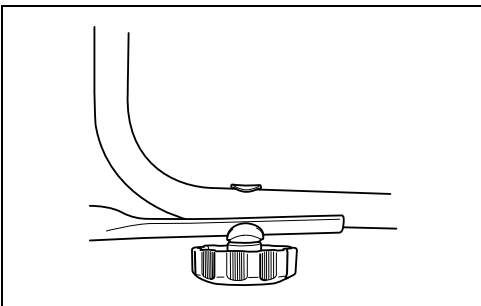
6



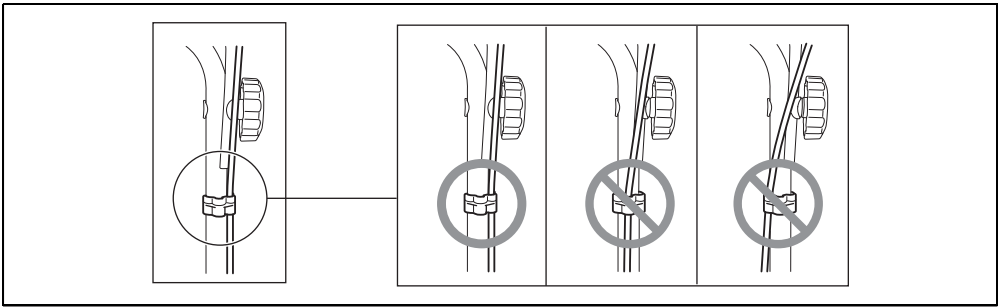
7



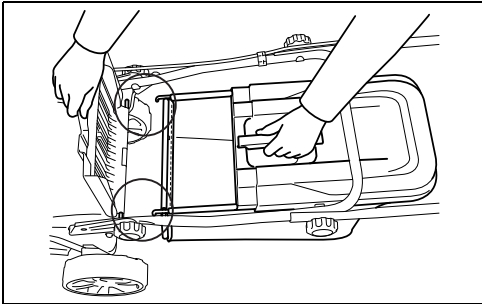
8



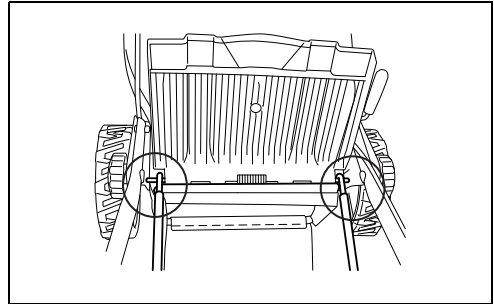
9



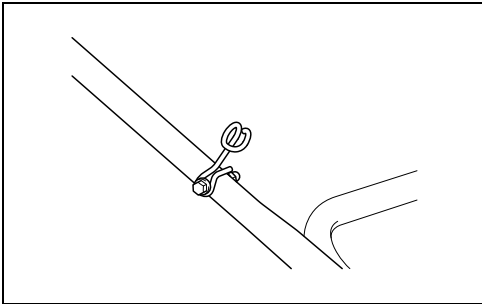
10



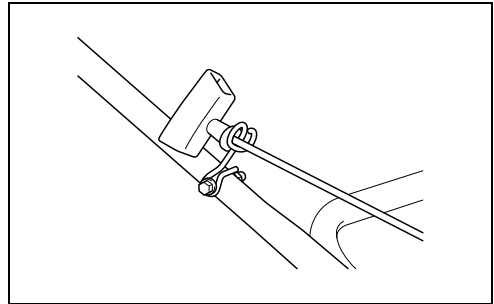
11



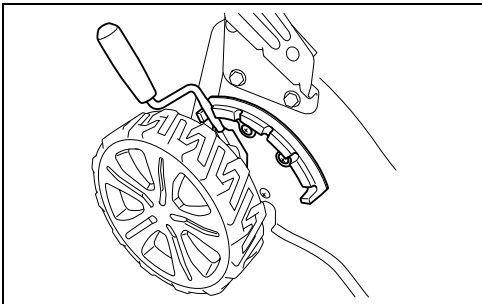
12



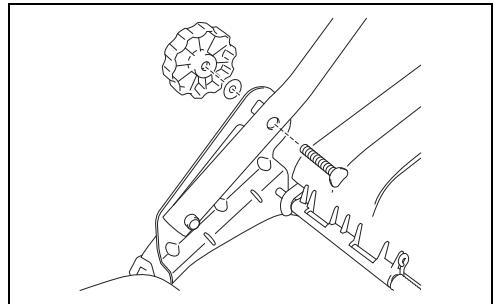
13



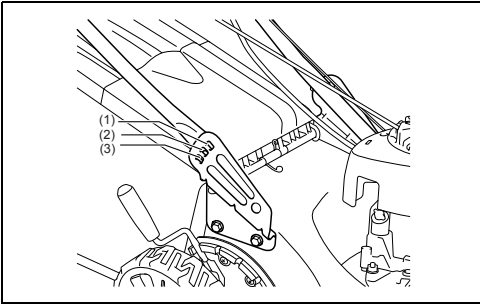
14



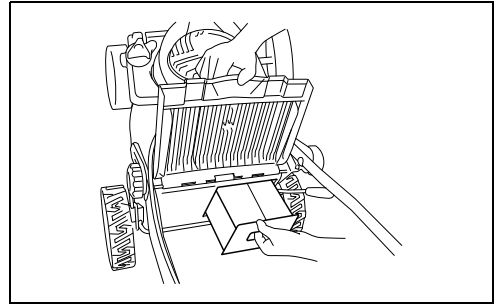
15



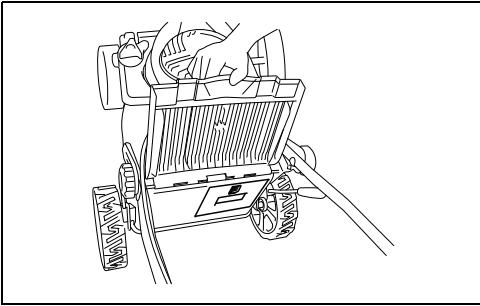
16



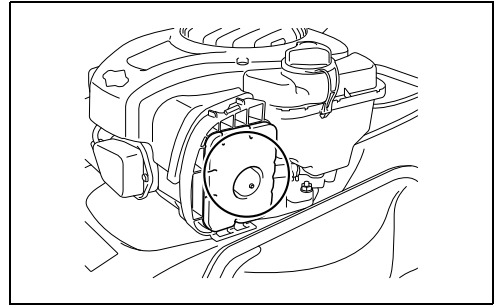
17



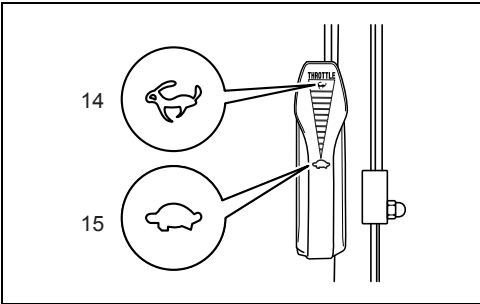
18



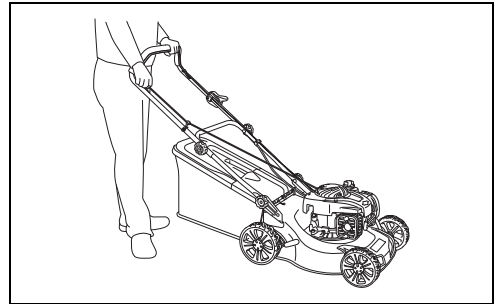
19



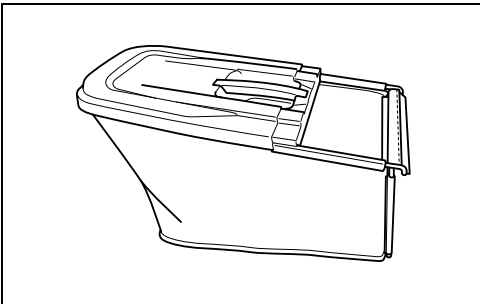
20



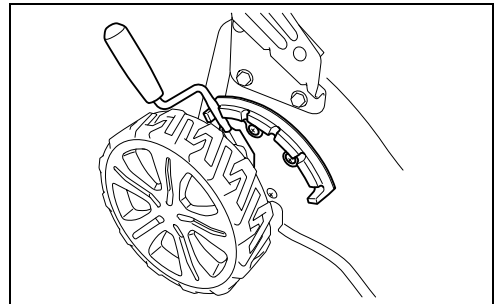
21



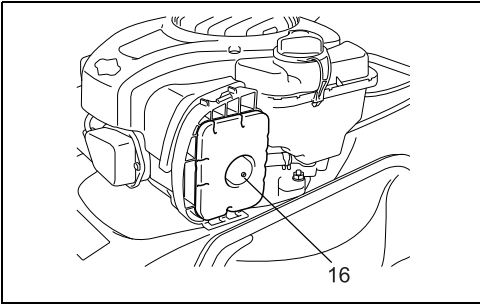
22



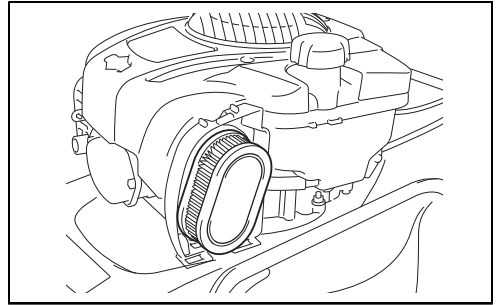
23



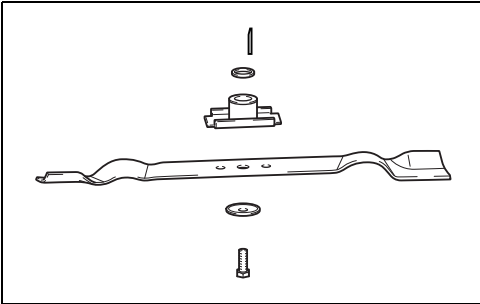
24



25A For PLM4120N



25B For PLM4620N2



26

CONTENTS

ENGLISH	8
FRANÇAIS	16
DEUTSCH	25
ITALIANO	34
NEDERLANDS	43
ESPAÑOL	52
PORTUGUÊS	61
DANSK	70
ΕΛΛΗΝΙΚΑ	79
TÜRKÇE	89
SVENSKA	98
NORSK	106
SUOMI	115
LATVIEŠU	124
LIETUVIŲ KALBA	133
EESTI	142
POLSKI	151
MAGYAR	161
SLOVENSKY	170
ČESKY	180
SLOVENSKO	189
SHQIP	198
БЪЛГАРСКИ	207
HRVATSKI	217
МАКЕДОНСКИ	226
ROMÂNĂ	236
СРПСКИ	245
РУССКИЙ	254
УКРАЇНСЬКА	264
فارسی	282
العربية	291

Explanation of general view

- | | | |
|-------------------------|---------------------------|------------------|
| 1. Upper handle | 7. Height adjusting lever | 13. Locking knob |
| 2. Stop control handle | 8. Deck | 14. Fast speed |
| 3. Throttle choke lever | 9. Spark Plug | 15. Slow speed |
| 4. Starter handle | 10. Fuel cap | 16. Primer bulb |
| 5. Rope guide | 11. Oil cap | |
| 6. Grass catcher | 12. Cable clamp | |



WARNING

For your own safety please read this manual before attempting to operate your new unit. Failure to follow instructions can result in serious personal injury. Spend a few moments to familiarize yourself with your mower before each use. Keep this manual in a safe place, so that the information is available at all times. If you give the equipment to any other person, hand over these operating instructions and safety regulations as well.

Intended use

The equipment may only be used for the tasks it is designed to handle. Any other use is deemed to be a case of misuse. The user/operator and not the manufacturer will be liable for any damage or injuries of any kind caused as a result of this.

The petrol lawn mower is intended for private use i.e. for use in home and gardening environments.

Private use of the lawn mower refers an annual operating time generally not exceeding that of 50 hours, during which time the machine is primarily used to maintain small-scale, residential lawns and home/hobby gardens. Public facilities, sporting halls, and agricultural/forestry applications are excluded.

Please note that our equipment has not been designed for use in commercial, trade or industrial applications. Our warranty will be voided if the machine is used in commercial, trade or industrial businesses or for equivalent purposes.

The operating instructions as supplied by the manufacturer must be kept and referred to in order to ensure that the lawn mower is properly used and maintained. The instructions contain valuable information on operating, maintenance and servicing conditions.

Important! Due to the high risk of bodily injury to the user, the lawn mower may not be used to trim bushes, hedges or shrubs, to cut scaling vegetation, planted roofs, or balcony-grown grass, to clean (suck up) dirt and debris off walkways, or to chop up tree or hedge clippings.

Moreover, the lawn mower may not be used as a power cultivator to level out high areas such as molehills.

For safety reasons, the lawn mower may not be used as a drive unit for other work tools or tool kits of any kind.

1. SYMBOLS MARKED ON THE PRODUCT (ON THE REAR COVER)



Read operator's manual.



Keep bystanders away.



Pay more attention to the operator's hands and feet to avoid injured.



Toxic fumes; Don't operate inside house.



Fuel is flammable, keep fire away. Do not add fuel with running machine.



When mowing, please wear the glasses and ear plugs to defend the operator himself.



When repairing, please pick up the spark plug, then repairs it according to the operational manual.



Caution: Engine hot.

2. GENERAL SAFETY RULES



WARNING: When using petrol tools, basic safety precautions, including the following, should always be followed to reduce the risk of serious personal injury and/or damage to the unit.

Read all these instructions before operating this product and retain these instructions for future reference.



WARNING: This machine produces an electromagnetic field during operation. Under some circumstances this field may interfere with active or passive medical implants. To reduce the risk of serious or fatal injury, we recommend persons with medical implants to consult their physician and the medical implant manufacturer before operating this machine.

Training

- Read the instructions carefully. Be familiar with the controls and the proper use of the equipment. Learn how to stop the engine quickly.
- Only use the lawn mower for the purpose for which it was designed, i.e. for cutting and collecting grass. Any other use can be hazardous, causing damage to the machine. Examples of improper use may include, but are not limited to:
 - transport of people, children or animals on the machine;
 - being transported by the machine;
 - using the machine to tow or push loads;
 - using the machine for leaf or debris collection;
 - using the machine to trim hedges, or for cutting vegetation other than grass;
 - use of the machine by more than one person;
 - using the blade on surfaces other than grass.
- Never allow children or people unfamiliar with these instructions to use the lawn mower. Local regulations can restrict the age of the operator.
- Never use the lawn mower:
 - when people, especially children, or pets are nearby;
 - if the operator has taken medicine or substances that can affect his ability to react and concentrate.
- Keep in mind that the operator or user is responsible for accidents or hazards occurring to other people or their property.
- The operators must receive proper training in the use, adjustment and operation of the machine, including prohibited operations.

Preparation

- While mowing, always wear substantial footwear and long trousers. Do not operate the equipment when barefoot or wearing open sandals.
- Thoroughly inspect the area where the equipment is to be used and remove all objects, such as stones, toys, sticks and wires, which can be thrown by the machine.
- **WARNING-** Petrol is highly flammable.
 - store fuel in containers specifically designed for this purpose;

- refuel outdoors only and do not smoke while refueling;
- add fuel before starting the engine. Never remove the cap of the fuel tank or add petrol while the engine is running or when the engine is hot;
- if petrol is spilled, do not attempt to start the engine but move the machine away from the area of spillage and avoid creating any source of ignition until petrol vapors have dissipated;
- replace all fuel tank and container caps securely.
- Replace faulty silencers.
- Before using, always visually inspect to see that the blades, blade bolts and cutter assembly are not worn or damaged. Replace worn or damaged blades and bolts in sets to preserve balance.
- Check regularly to ensure that all starting interlocks and operator presence controls are properly functioning.

Operation

- Do not operate the engine in a confined space where dangerous carbon monoxide fumes can collect.
- Do not use the machine while being tired, ill or under influence of alcohol or other drugs.
- **Warning!** Do not use the lawn mower when there is a risk for lighting.
- It is recommended to limit the duration of operation, in order to minimize the risks from noise and vibration.
- Be careful when using the lawn mower in slopes and near drop-offs, ditches or embankments.
- Mow only in daylight or in good artificial light.
- Avoid operating the equipment in wet grass, where feasible.
- Always be sure of your footing on slopes.
- Walk, never run.
- For wheeled rotary machines, mow across the face of slopes, never up and down.
- Exercise extreme caution when changing direction on slopes.
- Do not mow excessively steep slopes.
- Use extreme caution when reversing or pulling the lawn mower towards you.
- Stop the blade(s) if the lawn mower has to be tilted for transportation when crossing surfaces other than grass, and when transporting the lawn mower to and from the area to be mowed.
- Never operate the lawn mower with defective guards, or without safety devices, for example deflectors and/or grass catchers, in place.
- **Caution:** The lawn mower shall not be operated without either the entire grass catcher or self-closing discharge opening guard in place.
- Do not change the engine governor settings or overspend the engine.
- Do not alter or tamper with any sealed adjustment for the engine speed control.
- The lawn mower safety systems or features shall not be tampered with or disabled.
- Disengage all blade and drive clutches before starting the engine.
- Start the engine carefully according to instructions and with feet well away from the blade(s).
- Do not tilt the lawn mower when starting the engine.

- Do not start the engine when standing in front of the discharge chute.
- Do not put hands or feet near or under rotating parts. Keep clear of the discharge opening at all times.
- Never pick up or carry a lawn mower while the engine is running.
- Stop the engine and disconnect the spark plug wire, make sure that all moving parts have come to a complete stop and, where a key is fitted remove the key:
 - before clearing blockages or unclogging chute;
 - before checking, cleaning or working on the lawn mower;
 - after striking a foreign object. Inspect the lawn mower for damage and make repairs before restarting and operating the lawn mower;
 - if lawn mower starts to vibrate abnormally (check immediately).
- Stop the engine and disconnect the spark plug wire, make sure that all moving parts have come to a complete stop and, where a key is fitted remove the key:
 - whenever you leave the lawn mower;
 - before refueling.
- Reduce the throttle setting during engine shut down and, if the engine is provided with a shut-off valve, turn the fuel off at the conclusion of mowing.
- Only use the lawn mower for the purpose for which it is designed, for cutting and collecting grass. Any other use can be hazardous, causing damage to the machine.
- Check the grass catcher frequently for wear or deterioration.
- Replace worn or damaged parts for safety.
- If the fuel tank has to be drained, this should be done outdoors.
- Improper maintenance, use of non-conforming replacement components, or the removal or modification of safety components can damage the lawn mower and injure the operators seriously.
- Only use the recommended blades and spare parts by the manufacturer. The use of non-genuine parts can damage the machine and injure the operators. Keep the lawn mower in good working condition.
- If the blade stopping device doesn't work, please contact service center for help.

Transportation and handling

- Whenever the machine is to be handled, raised, transported or tilted you must:
 - wear strong working gloves;
 - grasp the machine at the points that offer a safe grip, taking account of the weight and its distribution;
 - use an appropriate number of people for the weight of the machine and the characteristics of the vehicle or the place where it has to be placed or collected.
- During transport, fasten the machine securely with ropes or chains.



WARNING: Do not touch rotating blade.



WARNING: Refuel in a well ventilated area with the engine stopped.

Maintenance and storage

- Keep all nuts, bolts and screws tight to be sure the equipment is in safe working condition.
- Never store the equipment with petrol in the tank inside a building where fumes can reach an open flame or spark.
- Allow the engine to cool before storing in any enclosure; Clean and maintain the lawn mower before storage.
- To reduce the fire hazard, keep the engine, silencer, battery compartment and petrol storage area free of grass, leaves, or excessive grease.

3. PARTS DESCRIPTION (Fig. 1 & 2)

Including

- A: Spark plug wrench
- B: Mulching wedge

4. TECHNICAL DATA

Model	PLM4120N	PLM4620N2
Engine type	B&S 500E Series	B&S 625E Series, ReadyStart
Self-Propelled	No	No
Engine Displacement	140 cm ³	150 cm ³
Nominal Power	1.9 kW	2.2 kW
Blade Width	410 mm	460 mm
Idle Speed	2,800/min	2,800/min
Fuel Tank Capacity	0.8L	0.8L
Oil tank capacity	0.47L	0.47L
Grass catcher capacity	50L	60L
Net Weight	26.0 kg	27.6 kg
Height adjustment	25 – 70 mm, 5 adjustment	25 – 70 mm, 5 adjustment

Model	PLM4120N	PLM4620N2
Guaranteed sound pressure level at operator's position (According to EN ISO 5395-1 Annex F & EN ISO 5395-2, EN ISO 4871)	84.6dB(A) (K=3dB(A))	82.0dB(A) (K=3dB(A))
Measured sound power level	93.4dB(A) K=1.93dB(A)	92.1dB(A) K=2.07dB(A)
Guaranteed sound power level (According to 2000/14/EC)	96dB(A)	96dB(A)
Vibration (According to EN ISO 5395-1 Annex G & EN ISO 5395-2)	5.27 m/s ² K=1.5 m/s ²	1.89 m/s ² K=1.5 m/s ²

5. ASSEMBLY

5-1 ASSEMBLING THE FOLDING HANDLE

- Fix the lower handlebars into the unit body with two sets of bolt, washer and locking knob as shown. (Fig. 3, Fig. 4, Fig. 5, Fig. 6)
- Release the upper handlebars for folding. Connect the upper handle and the lower handle with the two sets of bolt, washer and locking knob. (Fig. 7, Fig. 8, Fig. 9)
- Position all cables over the handle shafts. Clamp them around the middle of lower handles by the cable clamps so that the cables are fixed on the outside of the machine. Otherwise the cables may be pinched by opening/closing the rear cover or forced by folding the upper handle. (Fig. 10)

5-2 MOUNTING AND DISMOUNTING THE GRASS CATCHER

- To fit: Lift the rear cover and hang the grass catcher on the shaft of rear of mower. (Fig. 11, Fig. 12)
- To remove: Grasp and lift the rear cover, remove grass catcher.

5-3 STARTER HANDLE

Move the starter handle from the engine to the rope guide. (Fig. 13, Fig. 14)

5-4 HEIGHT OF CUT

Apply outward pressure to disengage lever from rack. Move lever forward or back to adjust height. (Fig. 15 and see clause 7-8)

5-5 ADJUSTMENT FOR AN APPROPRIATE HEIGHT

- Back out the locking knob which fixed the lower handle. (Fig. 16)
- Refer to Fig. 17, move the lower handle up and down, adjust it to the proper height.
There is 3 adjusting height to be chosen on this type lawn mower; at 1 height, lower handle to the ground is highest., 3 height is the lowest.
- Adjusting to the proper height, then fix the lower handle by the locking knobs.



WARNING: The left side and right side of lower handle must adjust to the same height.

6. 2 IN 1

These lawn mowers can be retrofitted from its normal function, based on the application purpose:
From lawn mower with rear collection to mulching mower.
What is mulching?
When mulching, the grass is cut in one working step, then finely chopped and returned to the grass strip as natural fertilizer.

Hints for mulch-mowing:

- Regular cut-back by max. 2 cm from 6 cm to 4 cm grass height.
- Use a sharp cutting knife.
- Do not mow wet grass.
- Set max. engine speed.
- Only move at working pace.
- Regularly clean mulching wedge, housing inner side and mowing blade.

ONE: Retrofitting for mulching mower



WARNING: Only with a stopped engine and standstill cutter.

- Raise the rear cover and remove the grass catcher.
- Push the mulching wedge into the deck. Lock the mulching wedge with the button into the opening on the deck. (Fig. 18, Fig. 19)
- Lower the rear cover again.

TWO: Mowing with the grass catcher

- For mowing with the grass catcher, remove the mulching wedge and mount the grass catcher.
- Removing the mulching wedge.
 - Lift rear cover and remove the mulching wedge.



WARNING: Only with a stopped engine and standstill cutter.

7. OPERATING INSTRUCTIONS

7-1 BEFORE STARTING

Service the engine with gasoline and oil as instructed in the separate engine manual packed in your mower. Read instructions carefully.



WARNING: Petrol is highly flammable.

Store fuel in containers specifically designed for this purpose.

Refuel outdoors only, before starting the engine and do not smoke while refueling or handling fuel.

Never remove the cap of the fuel tank or add petrol while the engine is running or when the engine is hot.

If petrol is spilled, do not attempt to start the engine but move the machine away from the area of spillage and avoid creating any source of ignition until petrol vapors have dissipated.

Replace all fuel tanks and container caps securely.

Before tipping the lawn mower to maintain the blade or drain oil, remove fuel from tank.



WARNING: Never fill fuel tank indoors, with engine running or until the engine has been allowed to cool for at least 15 minutes after running.

7-2 TO START ENGINE AND ENGAGE BLADE

1. The unit is equipped with a rubber boot over the end of the spark plug, make certain the metal loop on the end of the spark plug wire (inside the rubber boot) is fastened securely over the metal tip on the spark plug.
2. For PLM4120N:
When starting cool engine, press the primer bulb 3-5 times before starting the engine, turn throttle choke lever to "☁" position. When starting warm engine and operating, turn throttle choke lever to "☁☞" position. (Fig. 20, Fig. 21)
3. For PLM4620N2:
When starting cool or warm engine, turn throttle choke lever at anywhere between "☁" position and "☁☞" position. When operating, turn throttle choke lever to "☁☞" position. (Fig. 21)
4. Standing behind the unit, grasp the stop control handle and hold it against the upper handle as shown in Fig. 22.
5. Grasp the starter handle as shown Fig. 22 and pull it up rapidly. Return it slowly to the rope guide bolt after engine starts. Release the stop control handle to stop the engine and blade.



Start the engine carefully according to instructions and with feet well away from the blade.



Do not tilt the lawn mower when starting the engine. Start the mower on a level surface, free of high grass or obstacles.



Keep hands and feet away from the rotating parts. Do not start the engine when standing in front of the discharge opening.

7-3 OPERATION PROCEDURES

During operation, tightly hold the stop control handle with both hands.



Note: During operation, when the stop control handle is released, the engine will stop and thus stopping the lawn mower from operating.



WARNING! In order to avoid any unintentional start-ups of the lawn mower, it comes equipped with an engine brake which must be pulled back before the engine can be started. When the engine control lever is released it must return to its initial position, at which point the engine automatically switches off.



Note: Engine brake (brake handle): Use the lever to stop the engine. When you release the lever the engine and the blade stop automatically. To mow, hold the lever in the working position. Before you start to mow, check the start/stop lever several times to be sure that it is working properly. Ensure that the tension cable can be smoothly operated (i.e. is not catching or kinking in any way).

7-4 TO STOP ENGINE



CAUTION: The blade continues to rotate for a few seconds after the engine is shut off.

1. Release the stop control handle to stop the engine and blade.
2. Disconnect and ground the spark plug wire as instructed in the separate engine manual to prevent accidental starting while equipment is unattended.

7-5 FOR THE BEST RESULTS WHEN MOWING

Clear lawn of debris. Be sure that the lawn is clear of stones, sticks, wire or other foreign objects which could be accidentally thrown out by the mower in any direction and cause serious personal injury to the operator and others as well as damage to property and surrounding objects. Do not cut wet grass. For effective mowing do not cut wet grass because it tends to stick to the underside of the deck preventing proper mowing of the grass clippings. Cut no more than 1/3 the length of the grass.

The recommended cut for mowing is 1/3 the length of the grass. Ground speed will need to be adjusted so the clippings can be dispersed evenly into the lawn. For especially heavy cutting in thick grass it may be necessary to use one of the slowest speeds in order to get a clean well mowed cut. When mowing long grass you may have to cut the lawn in two passes, lowering the blade another 1/3 of the length for the second cut and perhaps cutting in a different pattern than was used the first time.

Overlapping the cut a little on each pass will also help to clean up any stray clippings left on the lawn. The mower should always be operated at full throttle to get the best cut and allow it to do the most effective job of mowing. Clean underside of deck.

Be certain to clean the underside of the cutting deck after each use to avoid a build-up of grass, which would prevent proper mulching.

Mowing leaves: The mowing of leaves can also be beneficial to your lawn. When mowing leaves make sure they are dry and are not laying too thick on the lawn. Do not wait for all the leaves to be off the trees before you mow.



WARNING: If you strike a foreign object, stop the engine. Remove wire from spark plug, thoroughly inspect the mower for any damage and repair the damage before restarting and operating the mower. Extensive vibration of the mower during operation is an indication of damage. The unit should be promptly inspected and repaired.

7-6 GRASS CATCHER

Empty and clean the bag, make sure it is clean and ensure its meshwork is ventilated. (Fig. 23)

7-7 DECK

The underside of the mower deck should be cleaned after each use to prevent a buildup of grass clippings, leaves, dirt or other matter. If this debris is allowed to accumulate, it will invite rust and corrosion, and may prevent proper mulching. The deck may be cleaned by tilting the mower and scraping clean with a suitable tool (make certain the spark plug wire is disconnected).

7-8 HEIGHT ADJUSTMENT INSTRUCTIONS



CAUTION: Do not at any time make any adjustment to lawn mower without first stopping the engine and disconnecting the spark plug wire.



CAUTION: Before changing mowing height, stop mower and disconnect spark plug cable. Your mower is equipped with a central height adjustment lever offering 5 height positions.

1. Stop mower and disconnect spark plug cable before changing mower cutting height.
2. The central height adjustment lever offers you 5 different height positions.
3. To change the height of cut, squeeze adjuster lever toward the wheel, moving up or down to selected height (Fig. 24). All wheels will be in the same height of cut.

8. MAINTENANCE INSTRUCTIONS

SPARK PLUG

Use only original replacement spark plug. For best results, replace the spark plug every 100 hours of use. (refer to ENGINE OWNER'S MANUAL)

BRAKE PADS

Check and/or replace the engine brake pads in service agent regularly, only original parts can be used as replacement.

9. LUBRICATION INSTRUCTIONS



CAUTION: DISCONNECT SPARK PLUG BEFORE SERVICING.

1. WHEELS-Lubricate the ball bearings in each wheel at least once a season with a light oil.
2. ENGINE-Follow engine manual for lubrication instructions.

10. CLEANING



CAUTION: Do not hose engine. Water can damage engine or contaminate the fuel system.

1. Wipe deck with dry cloth.
2. Hose under deck by tilting the mower so that the spark plug is up.

10-1 ENGINE AIR CLEANER



CAUTION: Do not allow dirt or dust to clog the air filter foam element.

The engine air cleaner element must be serviced (cleaned) after 25 hours normal mowing. The foam element must be serviced regularly if the mower is used in dry dusty conditions. (refer to ENGINE OWNER'S MANUAL)

To CLEAN AIR FILTER

1. Lift the tab on the filter cover. (Fig. 25A, Fig. 25B)
2. Remove the filter cover.
3. Wash filter element in soap water. **DO NOT USE GASOLINE!**
4. Air dry filter element.
5. Place a few drops of SAE30 oil on the foam filter and squeeze tightly to remove any excess oil.
6. Reinstall filter.
7. Close the filter cover.



NOTE: Replace filter if frayed, torn, damaged or unable to be cleaned.

10-2 CUTTING BLADE



CAUTION: Be sure to disconnect and ground the spark plug wire before working on the cutting blade to prevent accidental engine starting. Protect hands by using heavy gloves or a rag to grasp the cutting blades. Tip mower as specified in separate engine manual. Remove the hex bolt and washer which hold the blade and blade adapter to the engine crankshaft. Remove the blade and adapter from the crankshaft.



WARNING: Periodically inspect the blade adapter for cracks, especially if you strike a foreign object. Replace when necessary.

For best results your blade should be sharp. The blade may be resharpened by removing it and either grinding or filing the cutting edge keeping as close to the original bevel as possible. It is extremely important that each cutting edge receives an equal amount of grinding to prevent an unbalanced blade. Improper blade balance will result in excessive vibration causing eventual damage to the engine and mower. Be sure to carefully balance blade after sharpening. The blade can be tested for balance by balancing it on a round shaft screwdriver. Remove metal from the heavy side until it balances evenly. **(Fig. 26)** Before reassembling the blade and the blade adapter to the unit, lubricate the engine crankshaft and the inner surface of the blade adapter with light oil. Install the blade adapter on the crankshaft. Refer to **Fig. 26**. Place the blade with the part number facing away from the adapter. Align the washer over the blade and insert the hex bolt. Tighten the hex bolt to the torque listed below.

10-3 BLADE MOUNTING TORQUE

Center Bolt must be tightened to 35 - 45 Nm torque. To insure safe operation of your unit. ALL nuts and bolts must be checked periodically for correct tightness. After prolonged use, especially in sandy soil conditions, the blade will become worn and lose some of the original shape. Cutting efficiency will be reduced and the blade should be replaced.

Replace with an approved factory replacement blade only. Possible damage resulting from blade unbalance condition is not the responsibility of the manufacturer. When you change the blade, must use the original type marked on the blade (MAKITA 263001433 for PLM4120N; MAKITA 263001451 for PLM4620N2) (for order the blade, contact your local dealer or call our company).



WARNING: Do not touch rotating blade.

10-4 ENGINE

Refer to the separate engine manual for engine maintenance instructions.

Maintain engine oil as instructed in the separate engine manual packed with your unit.

Read and follow instructions carefully.

Service air cleaner as per separate engine manual under normal conditions. Clean every few hours under extremely dusty conditions. Poor engine performance and flooding usually indicates that the air cleaner should be serviced. To service the air cleaner, refer to the separate engine manual packed with your unit.

The spark plug should be cleaned and the gap reset once a season. Spark plug replacement is recommended at the start of each mowing season; check engine manual for correct plug type and gap specifications.

Clean the engine regularly with a cloth or brush. Keep the cooling system (blower housing area) clean to permit proper air circulation which is essential to engine performance and life. Be certain to remove all grass, dirt and combustible debris from muffler area.

11. STORAGE INSTRUCTIONS (OFF SEASON)

The following steps should be taken to prepare lawn mower for storage.

1. Empty the tank after the last mowing of the season.
 - a) Empty the petrol tank with a suction pump.



CAUTION: Do not drain the petrol in closed rooms, in close proximity of open fire, etc. Do not smoke! Petrol fumes can cause explosion or fire.

- b) Start the engine and let it run until it has used up all remaining petrol and stalls.
 - c) Remove the spark plug. Use an oilcan to fill approx. 20 ml oil into the combustion chamber. Operate the starter to evenly distribute the oil in the combustion chamber. Replace the spark plug.
2. Clean and grease the lawn mower carefully as described above under "LUBRICATION INSTRUCCIONES".
 3. Slightly grease the cutter to avoid corrosion.
 4. Store the lawn mower in a dry, clean and frost-protected place, out of reach of unauthorized persons.



CAUTION: The engine must have completely cooled down before storing the lawn mower.



NOTE:

When storing any type of power equipment in an unventilated or material storage shed;

- Care should be taken to rust-proof the equipment. Using a light oil or silicone, coat the equipment, especially cables and all moving parts.
- Be careful not to bend or kink cables.
- If the starter rope becomes disconnected from rope guide on handle, disconnect and ground the spark plug wire, depress the blade control handle and pull the starter rope out from engine slowly. Slip the starter rope into the rope guide bolt on handle.

Transport

Turn the engine off and allow the engine to cool down. Then disconnect the spark plug wire and empty the fuel tank according to the instructions in the engine manual. Ensure not to bend or damage the cutter when pushing the lawn mower over obstacles.

12. TROUBLESHOOTING

PROBLEM	PROBABLE CAUSE	CORRECTIVE ACTION
Engine does not start.	Throttle choke not in the correct position for the prevailing conditions.	Move throttle choke to correct position.
	Fuel tank is empty.	Fill tank with fuel: refer to ENGINE OWNER'S MANUAL.
	Air cleaner element is dirty.	Clean air cleaner element: refer to ENGINE OWNER'S MANUAL.
	Spark plug loose.	Tighten spark plug to 25 - 30 Nm.
	Spark plug wire loose or disconnected from plug.	Install spark plug wire on spark plug.
	Spark plug gap is incorrect.	Set gap between electrodes at 0.7 to 0.8 mm.
	Spark plug is defective.	Install new, correctly gapped plug: refer to ENGINE OWNER'S MANUAL.
	Carburetor is flooded with fuel.	Remove air cleaner element and pull starter rope continuously until carburetor clears itself and install air cleaner element.
Engine difficult to start or loses power.	Faulty ignition module.	Contact Makita authorised service centre.
	Dirt, water, or stale fuel tank.	Drain fuel and clean tank. Fill tank with clean, fresh fuel.
	Vent hole in fuel tank cap is plugged.	Clean or replace fuel tank cap.
Engine operates erratically.	Air cleaner element is dirty.	Clean air cleaner element.
	Spark plug is defective.	Install new, correctly gapped plug: refer to ENGINE OWNER'S MANUAL.
	Spark plug gap is incorrect.	Set gap between electrodes at 0.7 to 0.8 mm.
Engine idles poorly.	Air cleaner element is dirty.	Clean air cleaner element: refer to ENGINE OWNER'S MANUAL.
	Air slots in engine shroud are blocked.	Remove debris from slots.
	Cooling fins and air passages under engine blower housing are blocked.	Remove debris from cooling fins and air passages.
Engine skips at high speed.	Gap between electrodes of spark plug is too close.	Set gap between electrodes at 0.7 to 0.8 mm.
Engine overheats.	Cooling air flow is restricted.	Remove any debris from slots in shroud, blower housing, air passages.
	Incorrect spark plug.	Install original spark plug and cooling fins on engine.
Mower vibrates abnormally.	Cutting assembly is loose.	Tighten blade.
	Cutting assembly is unbalanced.	Balance blade.

13. ENVIRONMENT

Should your machine need replacement after extended use, do not put it in the domestic waste but dispose of it in an environmentally safe way.

14. EC DECLARATION OF CONFORMITY

For European countries only

The EC declaration of conformity is included as Annex A to this instruction manual.

Descriptif

- | | | |
|-----------------------------------|------------------------------------|----------------------------|
| 1. Guidon supérieur | 7. Levier de réglage de la hauteur | 13. Bouton de verrouillage |
| 2. Guidon d'arrêt | 8. Plateau | 14. Vitesse élevée |
| 3. Levier de l'étrangleur des gaz | 9. Bougie d'allumage | 15. Vitesse faible |
| 4. Guidon de démarrage | 10. Capuchon du carburant | 16. Poire |
| 5. Guide câble | 11. Capuchon d'huile | |
| 6. Sac de ramassage | 12. Clip de maintien | |

**AVERTISSEMENT**

Pour votre sécurité, veuillez lire ce manuel avant de faire fonctionner votre nouvelle machine. Le non-respect des instructions peut provoquer de graves blessures corporelles. Prenez le temps de vous familiariser avec la tondeuse avant chaque utilisation. Conservez ce manuel en lieu sûr pour que les informations soient constamment à votre disposition. Si vous donnez l'appareil à quelqu'un, transmettez également ce mode d'emploi ainsi que les consignes de sécurité.

Utilisation prévue

Cet appareil ne saurait être utilisé que pour les tâches pour lesquelles il a été conçu. Toute autre utilisation sera considérée comme une mauvaise utilisation. L'utilisateur/opérateur (non pas le fabricant) sera tenu responsable de tout dommage matériel ou corporel de toute sorte en résultant.

La tondeuse thermique est conçue pour un usage privé, à savoir dans un environnement domestique et pour le jardinage.

Par usage privé de la tondeuse, on entend une durée de fonctionnement annuelle ne dépassant pas généralement 50 heures pendant lesquelles la machine est principalement utilisée pour entretenir de petits jardins, des pelouses résidentielles et des jardins particuliers ou familiaux. Les installations publiques, les terrains de sport et les applications agricoles ou forestières sont exclus. Veuillez noter que notre appareil n'a pas été conçu pour des applications commerciales, professionnelles ou industrielles. Notre garantie sera nulle et non avenue si la machine est utilisée dans des activités commerciales, professionnelles ou industrielles, ou à des fins équivalentes.

Le mode d'emploi fourni par le fabricant doit être conservé et consulté afin de garantir que la tondeuse sera correctement utilisée et entretenue. Les instructions renferment des informations précieuses sur les conditions de fonctionnement, d'entretien et de dépannage. Important ! En raison du risque élevé de blessures corporelles pour l'utilisateur, la tondeuse ne saurait être utilisée pour couper des buissons, des haies ou des arbustes, pour couper des plantes grimpantes, des toits végétalisés ou de l'herbe poussant sur balcon, pour nettoyer (aspirer) la poussière et les débris des trottoirs ou pour couper des arbres ou les résidus de haie. En outre, la tondeuse ne saurait être utilisée comme motoculteur pour aplanir des zones élevées comme les taupinières.

Par mesure de sécurité, la tondeuse ne saurait être utilisée comme unité d'entraînement pour d'autres outils de travail ou kits d'outil de toute sorte.

1. SYMBOLES MARQUÉS SUR LE PRODUIT (sur le couvercle arrière)

Lisez le manuel d'instructions.



Éloignez les spectateurs.



Soyez attentifs aux mains et aux pieds de l'opérateur pour éviter toute blessure.



Fumées toxiques, n'utilisez pas à l'intérieur.



Le carburant est inflammable, tenir éloigné des flammes. N'ajoutez pas de carburant lors du fonctionnement de la machine.



Lorsque vous tondez, portez des lunettes et des bouchons d'oreilles pour votre sécurité.



Lors de la réparation, relevez la bougie d'allumage, puis réparez-la conformément au manuel d'instructions.



Attention : Le moteur chauffe.

2. CONSIGNES DE SÉCURITÉ GÉNÉRALES



AVERTISSEMENT : Lors de l'utilisation d'outils à essence, des précautions de sécurité de base, notamment celles qui suivent, doivent être respectées pour réduire le risque de blessures graves et/ou de dégâts matériels.

Lisez toutes ces instructions avant d'utiliser le produit et conservez-les pour votre information future.



AVERTISSEMENT : Cette machine produit un champ électromagnétique pendant son fonctionnement. Dans certains cas, ce champ peut perturber les implants médicaux actifs ou non. Pour réduire les risques de blessures graves ou mortelles, il est recommandé aux personnes porteuses d'implants médicaux de consulter leur médecin ainsi que le fabricant de l'implant médical avant d'utiliser cette machine.

Formation

- Lisez les instructions attentivement. Familiarisez-vous avec les commandes et l'utilisation correcte de l'équipement.
Apprenez à arrêter le moteur rapidement.
- N'utilisez la tondeuse que pour son usage prévu, c'est-à-dire pour couper et ramasser l'herbe. Toute autre utilisation peut s'avérer dangereuse et endommager la machine. Parmi les exemples d'utilisation incorrecte, citons notamment :
 - le transport de personnes, d'enfants ou d'animaux sur la machine,
 - votre propre transport par la machine,
 - l'utilisation de la machine pour tirer ou pousser des charges,
 - l'utilisation de la machine pour ramasser des feuilles ou des débris,
 - l'utilisation de la machine pour tailler des haies ou pour couper de la végétation autre que de l'herbe,
 - l'utilisation de la machine par plusieurs personnes,
 - l'utilisation de la lame sur des surfaces autres que l'herbe.
- Ne laissez pas des enfants ou des personnes ne connaissant pas ces instructions utiliser la tondeuse à gazon. Les réglementations locales peuvent limiter l'âge de l'opérateur.
- N'utilisez jamais la tondeuse :
 - lorsque des personnes, en particulier des enfants, ou des animaux se trouvent à proximité,
 - si vous avez absorbé des médicaments ou des substances susceptibles d'affecter vos réactions et votre concentration.
- Gardez à l'esprit que l'opérateur ou l'utilisateur est responsable des accidents ou blessures arrivant à d'autres personnes ou à leurs biens.
- L'opérateur doit recevoir la formation adéquate en matière d'utilisation, de réglage et de fonctionnement de la machine, y compris les actions interdites.

Préparation

- Pendant la tonte, portez toujours des chaussures résistantes et des pantalons longs. N'utilisez pas le matériel lorsque vous êtes pieds nus ou en sandales.
- Inspectez avec soin la zone où l'appareil sera utilisé et retirez tous les objets, comme des pierres, des jouets, des bâtons ou des câbles, susceptibles d'être projetés par la machine.
- **AVERTISSEMENT** - L'essence est extrêmement inflammable :
 - stockez le carburant dans des conteneurs conçus particulièrement à cet effet ;
 - remettez du carburant à l'extérieur uniquement et ne fumez pas pendant ce temps ;
 - ajoutez le carburant avant de démarrer le moteur. Ne retirez jamais le capuchon du réservoir de carburant et n'ajoutez pas d'essence lorsque le moteur tourne ou qu'il chauffe ;
 - si de l'essence coule, n'essayez pas de démarrer le moteur mais éloignez l'appareil de la zone où l'essence a coulé et évitez de faire des étincelles jusqu'à dissipation des vapeurs d'essence ;
 - revissez fermement tous les capuchons du réservoir et du conteneur.
- Remplacez les pots d'échappement défectueux.
- Avant l'utilisation, procédez toujours à une vérification générale pour vous assurer que les lames, les boulons de lame et l'ensemble de coupe ne sont ni usés ni endommagés. Remplacez les lames et boulons endommagés ou usés par lots complets pour préserver le bon équilibrage.
- Vérifiez régulièrement pour vous assurer que tous les dispositifs de blocage du démarrage et les contrôleurs de présence de l'opérateur fonctionnent correctement.

Utilisation

- Ne faites pas tourner le moteur dans un lieu confiné, en raison de la possibilité de dangereuses émanations de monoxyde de carbone.
- N'utilisez pas la machine si vous êtes fatigué, malade ou sous l'emprise de l'alcool ou d'autres drogues ou médicaments.
- **Avertissement !** N'utilisez pas la tondeuse en cas d'orage.
- Il est recommandé de limiter la durée de fonctionnement afin de réduire les risques liés au bruit et aux vibrations.
- Prenez garde lorsque vous utilisez la tondeuse en pente et près d'une rupture de pente, d'un fossé ou d'un talus.
- Tondez uniquement à la lumière du jour ou dans une lumière artificielle de bonne qualité.
- Évitez de tondre de l'herbe mouillée, si possible.
- Assurez vos pas dans les pentes.
- Marchez, ne courez jamais.
- Pour les machines rotatives à roues, tondez les pentes dans le sens transversal, jamais en montant ou en descendant.
- Soyez particulièrement prudent lors des changements de direction sur les terrains en pente.
- Ne coupez pas l'herbe sur des pentes excessivement raides.

- Faites particulièrement attention lorsque la machine doit être tirée vers vous.
- Arrêtez la/les lame(s) si la tondeuse doit être inclinée pour le transport, lorsque vous traversez des zones sans herbe et lors des déplacements entre les surfaces à tondre.
- N'utilisez jamais la tondeuse si ses protecteurs sont endommagés, ou en l'absence de dispositifs de sécurité, comme le déflecteur ou le sac de ramassage.
- Attention : La tondeuse ne doit pas être utilisée si le collecteur d'herbe complet ou le protecteur de l'orifice de décharge à fermeture automatique n'est pas en place.
- Ne changez pas les réglages du gouverneur du moteur et ne forcez pas le moteur.
- Ne modifiez ni n'altérez les réglages scellés de commande de la vitesse du moteur.
- Les systèmes ou dispositifs de sécurité de la tondeuse ne doivent en aucun cas être modifiés ou désactivés.
- Désengagez la lame et les vitesses avant de démarrer le moteur.
- Faites attention lorsque vous démarrez le moteur, conformez-vous aux instructions et assurez-vous que vos pieds sont éloignés de la/des lame(s).
- Lorsque vous démarrez le moteur, n'inclinez pas la tondeuse.
- Ne démarrez pas le moteur lorsque vous êtes devant la goulotte d'éjection.
- Ne placez pas vos mains ou vos pieds à proximité ou sous des pièces qui tournent. Restez en permanence éloigné de l'ouverture d'éjection.
- Ne soulevez ni ne transportez jamais une tondeuse dont le moteur est en fonctionnement.
- Arrêtez le moteur et débranchez le câble de la bougie d'allumage, assurez-vous que les pièces mobiles sont complètement arrêtées et, si une clé est utilisée pour le moteur, retirez-la :
 - avant toute opération de retrait d'obstruction ou de débouchage de la goulotte ;
 - avant toute opération de vérification, de nettoyage ou de réparation de la tondeuse ;
 - après avoir heurté un objet étranger. Inspectez la tondeuse pour vérifier si elle est endommagée. Effectuez les réparations nécessaires avant toute nouvelle utilisation de la machine;
 - si la tondeuse commence à vibrer de manière anormale (vérification immédiate).
- Arrêtez le moteur et débranchez le câble de la bougie d'allumage, assurez-vous que les pièces mobiles sont complètement arrêtées et, si une clé est utilisée pour le moteur, retirez-la :
 - lorsque vous vous éloignez de la tondeuse ;
 - avant toute manutention.
- Réduisez la vitesse lors de l'arrêt du moteur et, si le moteur est équipé d'une soupape d'arrêt, arrêtez l'alimentation en carburant à la fin de la tonte.
- N'utilisez la tondeuse que pour son usage prévu, c'est-à-dire pour couper l'herbe et la ramasser. Toute autre utilisation peut s'avérer dangereuse et endommager la machine.

Maintenance et stockage

- Maintenez tous les écrous, boulons et vis serrés afin d'assurer des conditions d'utilisation sûres.
- Ne rangez jamais un appareil avec de l'essence dans le réservoir dans un bâtiment où des fumées peuvent s'enflammer ou provoquer des étincelles.
- Laissez le moteur refroidir avant de ranger la machine ; nettoyez et procédez à l'entretien de la tondeuse avant de la ranger.
- Pour réduire le danger de combustion, débarrassez le moteur, le pot d'échappement, le compartiment de la batterie et la zone de stockage d'essence de toute impureté telle qu'herbe, feuille ou graisse.
- Vérifiez fréquemment que le sac de ramassage ne présente aucune trace d'usure ou de détérioration.
- Remplacez les pièces usées ou endommagées pour des raisons de sécurité.
- La cas échéant, vidangez le réservoir de carburant en extérieur.
- Un entretien inadéquat, l'utilisation de pièces de rechange non conformes ou le retrait ou la modification des dispositifs de sécurité peut endommager la tondeuse et blesser gravement l'opérateur.
- N'utilisez que les lames et les pièces de rechange recommandées par le fabricant. L'utilisation de pièces qui ne sont pas d'origine peut endommager la machine et blesser l'opérateur. Conservez la tondeuse dans un bon état de fonctionnement.
- Si le dispositif d'arrêt de la lame ne fonctionne pas, demandez de l'aide au SAV.

Transport et manutention

- Si vous devez bouger, soulever, transporter ou incliner la machine, vous devez :
 - porter des gants de travail épais,
 - saisir la machine aux emplacements qui offrent une prise sûre, en prenant en compte le poids et sa répartition,
 - utiliser un nombre de personnes adapté au poids de la machine et aux caractéristiques du véhicule ou bien au lieu dans lequel la machine doit être placée ou récupérée.
- Pendant le transport, fixez solidement la machine avec des cordes ou des chaînes.



AVERTISSEMENT : Ne touchez pas la lame en mouvement.



AVERTISSEMENT : Remettez du carburant dans un lieu bien ventilé et assurez-vous que le moteur est arrêté.

3. DESCRIPTION DES PIÈCES (Fig. 1 et 2)

Notamment

A : Clé de bougie d'allumage

B : Embout de hachage

4. CARACTÉRISTIQUES TECHNIQUES

Modèle	PLM4120N	PLM4620N2
Type de moteur	Série B&S 500E	Série B&S 625E, ReadyStart
Automoteur	Non	Non
Déplacement du moteur	140 cm ³	150 cm ³
Puissance nominale	1,9 kW	2,2 kW
Largeur de la lame	410 mm	460 mm
Vitesse au ralenti	2 800/min	2 800/min
Volume du réservoir de carburant	0,8 L	0,8 L
Volume du réservoir d'huile	0,47 L	0,47 L
Volume du sac de ramassage d'herbe	50 L	60 L
Poids net	26,0 kg	27,6 kg
Réglage de la hauteur	25 – 70 mm, 5 réglages	25 – 70 mm, 5 réglages
Niveau de pression sonore garantie à la position de l'opérateur (D'après EN ISO 5395-1 Annexe F et EN ISO 5395-2, EN ISO 4871)	84,6 dB (A) (K = 3 dB (A))	82,0 dB (A) (K = 3 dB (A))
Niveau de puissance sonore mesurée	93,4 dB (A) K = 1,93 dB (A)	92,1 dB (A) K = 2,07 dB (A)
Niveau de puissance sonore garantie (D'après 2000/14/CE)	96 dB (A)	96 dB (A)
Vibrations (D'après EN ISO 5395-1 Annexe G et EN ISO 5395-2)	5,27 m/s ² K = 1,5 m/s ²	1,89 m/s ² K = 1,5 m/s ²

5. ASSEMBLAGE

5-1 ASSEMBLAGE DU GUIDON REPLIABLE

- Attachez les barres inférieures du guidon au châssis à l'aide de deux jeux de boulon, rondelle et bouton de verrouillage, comme illustré. (**Fig. 3, Fig. 4, Fig. 5, Fig. 6**)
- Relâchez les barres supérieures du guidon pour le repliage. Raccordez le guidon supérieur et le guidon inférieur à l'aide de deux jeux de boulon, rondelle et bouton de verrouillage. (**Fig. 7, Fig. 8, Fig. 9**)
- Placez tous les câbles sur les manches. Serrez-les autour du centre des guidons inférieurs avec les colliers prévus à cet effet, de sorte que les câbles soient fixés à l'extérieur de la machine. Sinon, les câbles risqueraient de se pincer lors de l'ouverture/la fermeture du capot arrière ou d'être écrasés lors du repliage du guidon supérieur. (**Fig. 10**)

5-2 MONTAGE ET DÉMONTAGE DU SAC DE RAMASSAGE

- Pour le placer : Relevez le capot arrière et accrochez le sac de ramassage à l'arrière de la tondeuse. (**Fig. 11, Fig. 12**)
- Pour le retirer : Soulevez le capot arrière, retirez le sac de ramassage.

5-3 GUIDON DE DÉMARRAGE

Déplacez le guidon de démarrage du moteur vers le guide câble. (**Fig. 13, Fig. 14**)

5-4 HAUTEUR DE COUPE

Pour sortir le levier du rail, appliquez une pression vers l'extérieur. Pour régler la hauteur, avancez le levier vers l'avant ou vers l'arrière. (**Fig. 15 et voir le point 7-8**)

5-5 RÉGLAGE POUR UNE HAUTEUR ADÉQUATE

- Faites ressortir le bouton de verrouillage retenant le guidon inférieur. (**Fig. 16**)
- Reportez-vous à la **Fig. 17**, déplacez le guidon inférieur vers le haut et vers le bas, puis réglez-le selon la bonne hauteur.
Vous pouvez choisir parmi 3 hauteurs de réglage sur ce type de tondeuse, la hauteur 1 correspondant au niveau le plus élevé entre le guidon inférieur et le sol et la hauteur 3 au niveau le plus bas.
- Procédez au réglage selon la bonne hauteur, puis fixez le guidon inférieur à l'aide des boutons de verrouillage.



AVERTISSEMENT : Vous devez régler le côté gauche et le côté droit du guidon inférieur selon la même hauteur.

6. 2 EN 1

La fonction habituelle de ces tondeuses peut être modifiée selon l'application choisie :

De la tondeuse à pelouse à ramassage arrière à la tondeuse hacheuse.

Qu'est-ce que le hachage ?

Lors du hachage, l'herbe est tout d'abord coupée, puis finement coupée et retournée avant d'être remise par terre pour faire office d'engrais naturel.

Conseils relatifs à ce processus :

- Hauteur de coupe de 2 cm sur une hauteur d'herbe de 6 cm à 4 cm.
- Utilisez une lame aiguisée.
- Ne tondez pas d'herbe mouillée.
- Réglez le moteur sur la vitesse maximale.

- Ne courez pas.
- Nettoyez régulièrement le coin de hachage, l'intérieur du châssis et la lame de tonte.

UN : Modification pour la tondeuse hacheuse



AVERTISSEMENT : Ne faites cela qu'avec un moteur et une lame à l'arrêt.

1. Relevez le capot arrière et retirez le sac de ramassage.
2. Poussez l'embout de hachage dans le plateau. Bloquez-le avec le bouton pendant l'ouverture du plateau. (Fig. 18, Fig. 19)
3. Remettez le capot arrière en place.

DEUX : Tonte avec le sac de ramassage

1. Pour tondre avec le sac de ramassage, retirez la hache et installez le sac de ramassage.
2. Retrait du coin de hachage
 - Relevez le capot arrière et retirez le coin de hachage.



AVERTISSEMENT : Ne faites cela qu'avec un moteur et une lame à l'arrêt.

7. INSTRUCTIONS D'UTILISATION

7-1 AVANT LE DÉMARRAGE

Refaites les niveaux d'huile et d'essence du moteur conformément aux instructions du manuel du moteur fourni avec la tondeuse. Lisez attentivement les instructions.



AVERTISSEMENT : L'essence est extrêmement inflammable.

Stockez le carburant dans des conteneurs conçus particulièrement à cet effet.

Ne mettez de l'essence qu'en extérieur, avant de démarrer le moteur et ne fumez pas lorsque vous manipulez de l'essence.

Ne retirez jamais le capuchon du réservoir de carburant et n'ajoutez pas d'essence lorsque le moteur tourne ou qu'il chauffe.

Si de l'essence coule, n'essayez pas de démarrer le moteur mais éloignez l'appareil de la zone où l'essence a coulé et évitez de faire des étincelles jusqu'à dissipation des vapeurs d'essence.

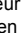


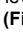
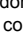
Revissez fermement tous les capuchons du réservoir et du conteneur.

Avant de basculer la tondeuse pour assurer l'entretien de la lame ou effectuer la vidange, siphonnez le carburant.



AVERTISSEMENT : Ne remplissez jamais le réservoir en intérieur, lorsque le moteur fonctionne ou avant qu'il n'ait eu le temps de refroidir pendant au moins 15 minutes.

7-2 DÉMARRAGE DU MOTEUR ET ENGAGEMENT DE LA LAME

1. L'extrémité de la bougie d'allumage est recouverte d'une protection en caoutchouc, assurez-vous que la boucle métallique située au bout du câble de la bougie (dans la protection) est fermement fixée sur l'embout métallique de la bougie d'allumage.
2. Pour PLM4120N :
Lorsque vous démarrez le moteur à froid, appuyez 3 à 5 fois sur la poire avant de démarrer le moteur et tournez le levier de l'étrangleur des gaz en position «  ». Lorsque vous démarrez le moteur à chaud, tournez le levier de l'étrangleur des gaz en position «  ». (Fig. 20, Fig. 21)
3. Pour PLM4620N2 :
Lorsque vous démarrez le moteur à chaud ou à froid, tournez le levier de l'étrangleur des gaz n'importe où entre la position «  » et la position «  ». Lorsque le moteur fonctionne, tournez le levier de l'étrangleur des gaz en position «  ». (Fig. 21)
4. Debout derrière l'appareil, attrapez le guidon d'arrêt et maintenez-le contre le guidon supérieur, comme illustré à la Fig. 22.
5. Attrapez le guidon de démarrage comme illustré à la Fig. 22 et tirez brièvement dessus. Ramenez-le doucement vers le boulon du guide câble après le démarrage du moteur. Pour arrêter le moteur et la lame, relâchez le guidon d'arrêt.



Démarez le moteur attentivement, conformément aux instructions et en vous assurant que vos pieds sont éloignés de la/des lame(s).



Lorsque vous démarrez le moteur, n'inclinez pas la tondeuse. Démarez la tondeuse sur une surface plane, sans herbes hautes ni obstacles.



Gardez vos mains et vos pieds éloignés des pièces pivotantes. Ne démarrez pas le moteur lorsque vous êtes devant la goulotte d'éjection.

7-3 PROCÉDURES DE FONCTIONNEMENT

Lors du fonctionnement, tenez fermement et à deux mains le guidon d'arrêt.



Remarque : Lors du fonctionnement, lorsque vous relâchez le guidon d'arrêt, le moteur s'arrête et par conséquent la tondeuse également.



AVERTISSEMENT ! Pour éviter tout démarrage intempestif de la tondeuse, celle-ci est pourvue d'un frein de moteur qui doit être tiré en arrière avant de pouvoir démarrer le moteur. Lorsque le levier de commande du moteur est relâché, il doit revenir à sa position initiale, et à ce moment, le moteur s'éteint automatiquement.



Remarque : Frein de moteur (poignée de frein) : utilisez le levier pour arrêter le moteur. Lorsque vous relâchez le levier, le moteur et la lame s'arrêtent automatiquement. Pour tondre, tenez le levier dans la position de travail. Avant de commencer à tondre, vérifiez à plusieurs reprises le levier de démarrage/arrêt pour vous assurer qu'il fonctionne correctement. Assurez-vous que le câble de tension puisse être manœuvré sans problème (c.-à-d. sans se coincer ou s'entortiller).

7-4 ARRÊT DU MOTEUR



ATTENTION : Après l'arrêt du moteur, la lame continue à tourner pendant quelques secondes.

1. Pour arrêter le moteur et la lame, relâchez le guidon d'arrêt.
2. Débranchez le câble de la bougie d'allumage et placez-le sur le sol conformément aux instructions du manuel du moteur, pour éviter un démarrage accidentel.

7-5 POUR DES RÉSULTATS OPTIMAUX LORS DE LA TONTE

Débarrassez le gazon de tout débris. Vérifiez que le gazon est exempt de cailloux, bâtons, câbles et autres corps étrangers qui risqueraient d'être projetés et de provoquer des blessures graves ou d'endommager les objets avoisinants. Ne tondez pas d'herbe mouillée. Pour une tonte efficace, ne coupez pas d'herbe mouillée car elle a tendance à coller au dessous du plateau, ce qui nuit à l'efficacité de la tonte. Ne coupez pas plus d'1/3 de la hauteur de l'herbe.

La coupe conseillée pour la tonte est d'1/3 de la hauteur de l'herbe. Vous devez régler la vitesse par rapport au sol pour que les herbes coupées soient dispersées de façon homogène. Pour une coupe intensive, par exemple avec de l'herbe épaisse, il peut être nécessaire d'utiliser l'une des vitesses les plus lentes pour obtenir un résultat propre. Lorsque vous tondez de l'herbe haute, il est possible que vous deviez procéder en deux fois, en abaissant la lame d'1/3 de hauteur supplémentaire pour votre deuxième passage et peut-être en ne suivant pas le même trajet que pour la première coupe.

Si deux coupes successives se chevauchent, les touffes restantes sont éliminées. Vous devez toujours utiliser la tondeuse à pleins gaz pour obtenir un résultat optimal et des plus efficaces. Nettoyez le dessous du plateau.

Assurez-vous de nettoyer le dessous du plateau après chaque utilisation pour éviter que l'herbe ne s'y accumule, se qui nuirait au hachage.

Tonte de feuilles : Pour un beau terrain, vous pouvez tondre les feuilles. Assurez-vous que les feuilles sont sèches et qu'elles ne sont pas en couche trop épaisse. N'attendez pas que toutes les feuilles soient tombées des arbres avant de tondre.



AVERTISSEMENT : Si vous heurtez un objet, arrêtez le moteur. Retirez le câble de la bougie d'allumage, inspectez soigneusement la tondeuse et réparez les éventuels dégâts avant de poursuivre l'utilisation. Une vibration excessive de la tondeuse est un signe de dégât. L'appareil doit être rapidement inspecté et réparé.

7-6 SAC DE RAMASSAGE

Videz le sac et nettoyez-le, assurez-vous qu'il est propre et que ses mailles sont bien ventilées. (Fig. 23)

7-7 PLATEAU

Le dessous du plateau doit être nettoyé après chaque utilisation pour éviter l'accumulation d'herbe, de feuilles, de saleté ou d'autre matière. Si des débris s'accumulent, l'appareil risque de se corroder et de rouiller, ce qui peut nuire à l'efficacité du hachage. Pour nettoyer le plateau, inclinez la tondeuse et grattez le plateau avec un outil adapté (assurez-vous que le câble de la bougie d'allumage est débranché).

7-8 INSTRUCTIONS DE RÉGLAGE DE LA HAUTEUR



ATTENTION : En aucun cas, n'effectuez aucun réglage de la tondeuse sans arrêter au préalable le moteur et débrancher le câble de la bougie d'allumage.



ATTENTION : Avant de modifier la hauteur de coupe, arrêtez la tondeuse et débranchez le câble de la bougie d'allumage. La tondeuse est équipée d'un levier central de réglage de la hauteur, qui permet cinq réglages.

1. Arrêtez la tondeuse et débranchez le câble de la bougie d'allumage avant de modifier la hauteur de coupe de la tondeuse.
2. Le levier central de réglage de la hauteur vous permet de choisir entre 5 positions.
3. Pour modifier la hauteur de coupe, ramenez le levier de réglage vers la roue, puis montez-le ou descendez-le vers la hauteur de votre choix (Fig. 24). Toutes les roues seront à la même hauteur de coupe.

8. INSTRUCTIONS DE MAINTENANCE

BOUGIE D'ALLUMAGE

N'utilisez que des bougies de remplacement d'origine. Pour des résultats optimaux, remplacez la bougie d'allumage toutes les 100 heures. (consultez le MANUEL DE L'UTILISATEUR DU MOTEUR)

PLAQUETTES DE FREIN

Faites régulièrement vérifier et/ou remplacer les plaquettes de frein de moteur par un agent de service. Seules des pièces d'origine peuvent être utilisées pour le remplacement.

9. INSTRUCTIONS DE LUBRIFICATION



ATTENTION : DÉBRANCHEZ LA BOUGIE D'ALLUMAGE AVANT TOUTE OPÉRATION DE MAINTENANCE.

1. ROUES-Lubrifiez les roulements à billes de chaque roue au moins une fois par an avec une huile à faible viscosité.
2. MOTEUR-Pour des instructions de lubrification, conformez-vous au manuel du moteur.

10. NETTOYAGE



ATTENTION : N'arrosez pas le moteur. L'eau risque d'endommager le moteur ou de contaminer le système de carburant.

1. Nettoyez le plateau avec un chiffon sec.
2. Aspergez le dessous du plateau en basculant la tondeuse de sorte que la bougie d'allumage soit orientée vers le haut.

10-1 FILTRE À AIR



ATTENTION : Ne laissez pas de la saleté ou des poussières obstruer la mousse du filtre à air.

La maintenance (le nettoyage) du filtre à air doit être effectué(e) après 25 heures de tonte normale. L'élément en mousse doit être entretenu régulièrement si la tondeuse est utilisée dans des conditions de poussière extrême (consultez le MANUEL DE L'UTILISATEUR DU MOTEUR).

NETTOYAGE DU FILTRE À AIR

1. Soulevez la languette sur le couvercle du filtre. (Fig. 25A, Fig. 25B)
2. Déposez le couvercle du filtre.
3. Nettoyez le filtre à l'eau savonneuse. **N'UTILISEZ PAS D'ESSENCE !**
4. Séchez le filtre à l'air.
5. Placez quelques gouttes d'huile SAE30 dans le filtre à mousse et secouez-le légèrement pour retirer l'excès d'huile.
6. Remontez le filtre.
7. Fermez le couvercle du filtre.



REMARQUE : Remplacez le filtre s'il est ébréché, endommagé ou si vous ne pouvez pas le nettoyer.

10-2 LAME



ATTENTION : Assurez-vous de débrancher le câble de la bougie d'allumage et de le poser sur le sol avant d'effectuer des opérations de maintenance sur la lame et éviter tout démarrage accidentel du moteur. Protégez vos mains avec des gants épais ou attrapez les lames avec un chiffon.

Inclinez la tondeuse comme spécifié dans le manuel du moteur. Retirez le boulon hexagonal et la rondelle qui fixe la lame et l'adaptateur de lame au vilebrequin. Retirez la lame et l'adaptateur du vilebrequin.



AVERTISSEMENT : Inspectez régulièrement l'adaptateur de lame pour vérifier l'absence de fissures, particulièrement si vous heurtez un objet étranger. Le cas échéant, remplacez-le.

Pour des résultats optimaux, assurez-vous que la lame est aiguisée. La lame peut être affûtée ; il suffit de la retirer et de l'aiguiser en essayant de conserver le biseau d'origine. Pour éviter un déséquilibre, il est primordial que toutes les extrémités de coupe soient limées de façon équivalente. Un mauvais équilibre des lames peut provoquer des vibrations excessives, ce qui risque d'endommager le moteur et la tondeuse. Assurez-vous de bien équilibrer les lames après l'affûtage. Pour tester l'équilibre de la lame, placez-la sur un tournevis courbe. Retirez l'excédent du métal du côté lourd jusqu'à obtention de l'équilibrage. (Fig. 26)

Avant de remonter la lame et l'adaptateur de lame sur l'appareil, lubrifiez le vilebrequin du moteur et la surface intérieure de l'adaptateur de lame avec une huile à faible viscosité. Installez l'adaptateur de lame sur le vilebrequin. Consultez la Fig. 26. Placez la lame avec son numéro de pièce orientée à l'opposé de l'adaptateur. Alignez la rondelle sur la lame et insérez le boulon hexagonal. Serrez le boulon hexagonal selon le couple indiqué ci-dessous.

10-3 COUPLE DE MONTAGE DE LA LAME

Le boulon central doit être serré selon un couple compris entre 35 et 45 Nm. Cela sert à garantir le fonctionnement sûr de votre appareil. TOUS les écrous et boulons doivent être inspectés régulièrement pour vérifier qu'ils sont bien serrés. Après une utilisation prolongée, particulièrement sur des sols sableux, la lame peut s'user et perdre sa forme d'origine. L'efficacité de coupe diminue et la lame doit être remplacée.

Ne remplacez la lame qu'avec une lame approuvée. Le fabricant décline toute responsabilité relative aux dégâts résultant d'un mauvais équilibrage de la lame.

Lorsque vous changez la lame, vous devez utiliser une lame du même type que celui d'origine (MAKITA 263001433 pour la PLM4120N ; MAKITA 263001451 pour la PLM4620N2) (pour commander cette lame, contactez votre fournisseur local ou appelez-nous).



AVERTISSEMENT : Ne touchez pas la lame en mouvement.

10-4 MOTEUR

Consultez le manuel du moteur pour connaître les instructions de maintenance du moteur.

Conformez-vous au manuel du moteur fourni avec l'appareil pour connaître les opérations de maintenance de l'huile du moteur.

Lisez soigneusement les instructions et suivez-les.

Réparez le filtre à air conformément aux préconisations du manuel du moteur. Nettoyez-le régulièrement si vous utilisez l'appareil dans des conditions particulièrement poussiéreuses. De mauvaises performances et un noyage du moteur indiquent en général que le filtre à air doit être réparé.

Pour ce faire, consultez le manuel du moteur fourni avec l'appareil.

La bougie d'allumage doit être nettoyée et l'espace doit être vérifié une fois par an. Le remplacement de la bougie d'allumage est conseillé au début de chaque saison de tonte ; consultez le manuel du moteur pour connaître les bonnes spécifications d'espace et de type de bougie. Nettoyez régulièrement le moteur avec un chiffon ou une brosse. Gardez le système de refroidissement (ventilateur) propre pour permettre une bonne circulation de l'air, ce qui est essentiel aux performances et à la durée de vie du moteur. Assurez-vous de retirer toutes les herbes, la saleté et les débris de combustible du pot d'échappement.

11. INSTRUCTIONS DE STOCKAGE (HORS SAISON)

Les étapes suivantes doivent être respectées pour préparer la tondeuse au stockage.

1. Videz le réservoir après la dernière tonte de la saison.
 - a) Videz le réservoir d'essence à l'aide d'une pompe aspirante.



ATTENTION : Ne purgez pas l'essence dans une pièce fermée, à proximité immédiate d'une flamme nue, etc. Ne fumez pas ! Les vapeurs d'essence peuvent provoquer une explosion ou un incendie.

- b) Démarrez le moteur et laissez-le tourner jusqu'à ce qu'il ait brûlé toute l'essence et qu'il cale.
 - c) Retirez la bougie. À l'aide d'une burette d'huile, versez environ 20 ml d'huile dans la chambre de combustion. Actionnez le démarreur pour répartir uniformément l'huile dans la chambre de combustion. Remplacez la bougie.
2. Nettoyez et graissez soigneusement la tondeuse, comme décrit ci-dessus dans la section « INSTRUCTIONS DE LUBRIFICATION ».
 3. Pour éviter la corrosion, graissez légèrement la lame.
 4. Entreposez la tondeuse dans un lieu sec, propre, à l'abri du gel et hors de portée des personnes non autorisées.



ATTENTION : Avant de ranger la tondeuse, veillez à ce que le moteur ait complètement refroidi.



REMARQUE :

Lorsque vous rangez un appareil dans un lieu mal ventilé ou dans une remise ;

- Vous devez enduire l'appareil d'anti-rouille. Recouvrez l'équipement, et particulièrement ses câbles et pièces mobiles, d'une couche d'huile à faible viscosité ou de silicone.
- Faites attention à ne pas plier ou pincer les câbles.
- Si le câble du démarreur se débranche du guide câble du guidon, débranchez le câble de la bougie d'allumage et posez-le sur le sol, appuyez sur le guidon d'arrêt et sortez doucement le câble du démarreur du moteur. Faites glisser le câble du démarreur dans le boulon du guide câble du guidon.

Transport

Éteignez le moteur et laissez-le refroidir. Puis débranchez le câble d'allumage et videz le réservoir d'essence selon les instructions du manuel du moteur. Veillez à ne pas plier ou endommager la lame lorsque vous poussez la tondeuse contre un obstacle.

12. DÉPANNAGE

PROBLÈME	CAUSE POSSIBLE	ACTION CORRECTRICE
Le moteur ne démarre pas.	L'étrangleur des gaz n'est pas dans la position adaptée aux conditions.	Mettez-le dans la bonne position.
	Le réservoir de carburant est vide.	Remplissez-le : consultez le MANUEL DE L'UTILISATEUR DU MOTEUR.
	L'élément du filtre à air est encrassé.	Nettoyez-le : consultez le MANUEL DE L'UTILISATEUR DU MOTEUR.
	La bougie d'allumage est desserrée.	Resserrez-la à 25 - 30 Nm.
	Le câble de la bougie d'allumage est desserré ou débranché.	Remontez-le sur la bougie d'allumage.
	L'espace de la bougie d'allumage est incorrect.	Réglez l'espace entre les électrodes afin qu'il soit compris entre 0,7 et 0,8 mm.
	La bougie d'allumage est défectueuse.	Installez une nouvelle bougie, en respectant l'espace préconisé : consultez le MANUEL DE L'UTILISATEUR DU MOTEUR.
	Le carburateur est noyé.	Retirez l'élément du filtre à air et tirez plusieurs fois sur le câble du démarreur jusqu'à ce que le carburateur se vide, puis remontez l'élément du filtre à air.
Le moteur a du mal à démarrer ou perd de la puissance.	Le module d'allumage est défectueux.	Contactez le centre de service autorisé Makita.
	Le réservoir de carburant est encrassé, éventé ou de l'eau s'y trouve.	Purgez le carburant et nettoyez le réservoir. Refaites le niveau avec du carburant propre.
	L'échappement du capuchon du réservoir de carburant est branché.	Nettoyez le capuchon du réservoir de carburant ou remplacez-le.
Le moteur fonctionne mal.	L'élément du filtre à air est encrassé.	Nettoyez-le.
	La bougie d'allumage est défectueuse.	Installez une nouvelle bougie, en respectant l'espace préconisé : consultez le MANUEL DE L'UTILISATEUR DU MOTEUR.
	L'espace de la bougie d'allumage est incorrect.	Réglez l'espace entre les électrodes afin qu'il soit compris entre 0,7 et 0,8 mm.
Mauvais ralenti du moteur.	L'élément du filtre à air est encrassé.	Nettoyez-le : consultez le MANUEL DE L'UTILISATEUR DU MOTEUR.
	Les prises d'air du flasque du moteur sont obstruées.	Retirez les débris des fentes.
	Les ailettes de refroidissement et passages d'air situés sous le ventilateur du moteur sont bloqués.	Débarrassez-les des éléments qui les bloquent.
À grande vitesse, le moteur tressaute.	L'espace entre les électrodes des bougies est trop étroit.	Réglez l'espace entre les électrodes afin qu'il soit compris entre 0,7 et 0,8 mm.
Le moteur surchauffe.	Le flux d'air de refroidissement est restreint.	Retirez les éventuels débris se trouvant dans les fentes du flasque, du boîtier du ventilateur et des passages d'air.
	Mauvaise bougie d'allumage.	Installez la bougie d'allumage d'origine et les ailettes de refroidissement sur le moteur.
La tondeuse tremble anormalement.	L'ensemble de coupe est lâche.	Resserrez la lame.
	L'ensemble de coupe est déséquilibré.	Équilibrez la lame.

13. ENVIRONNEMENT

Si votre machine doit être remplacée après une utilisation prolongée, ne la jetez pas avec les ordures ménagères mais mettez-la au rebut dans le respect de l'environnement.

14. DÉCLARATION DE CONFORMITÉ CE

Pour les pays d'Europe uniquement

La déclaration de conformité CE est fournie en Annexe A à ce mode d'emploi.

Erklärung der Gesamtdarstellung

- | | | |
|--------------------|-------------------------------|--------------------------|
| 1. Oberer Griff | 7. Hebel für Höheneinstellung | 13. Feststellknopf |
| 2. Stoppregelgriff | 8. Deck | 14. Hohe Drehzahl |
| 3. Gashebel | 9. Zündkerzenstecker | 15. Niedrige Drehzahl |
| 4. Startergriff | 10. Tankdeckel | 16. Anlasseinspritzpumpe |
| 5. Seilführung | 11. Öldeckel | |
| 6. Grasfänger | 12. Kabelklemme | |



WARNUNG

Lesen Sie zu Ihrer eigenen Sicherheit dieses Handbuch vor der Aufnahme des Betriebs Ihres neuen Geräts durch. Werden die folgenden Anweisungen nicht befolgt, besteht die Gefahr schwerer Verletzungen. Nehmen Sie sich vor jeder Benutzung ein wenig Zeit, sich mit Ihrem Mäher vertraut zu machen. Bewahren Sie dieses Handbuch an einem sicheren Ort auf, so dass die Informationen jederzeit verfügbar sind. Wenn Sie das Gerät einer anderen Person ausleihen, händigen Sie diese Bedienungsanleitung sowie die Sicherheitsbestimmungen aus.

Verwendungszweck

Das Gerät darf nur für die Aufgaben verwendet werden, für deren Ausführung es vorgesehen ist. Jeder andere Gebrauch ist als Missbrauch anzusehen. Der Benutzer/Betreiber, aber nicht der Hersteller, ist für Schäden oder Verletzungen jeglicher Art, die sich daraus ergeben, haftbar.

Der Benzin-Rasenmäher ist für privaten Gebrauch, d. h. für den Einsatz in Heim- und Gartenumgebungen, vorgesehen.

Privater Gebrauch des Rasenmähers bezieht sich auf eine jährliche Betriebszeit, die im Allgemeinen 50 Betriebsstunden nicht überschreitet, während denen die Maschine hauptsächlich zur Instandhaltung kleiner Rasenflächen in Wohngebieten und Heim-/Hobbygärten verwendet wird. Öffentliche Einrichtungen, Sporthallen sowie Anwendungen in Land- und Forstwirtschaft sind ausgeschlossen.

Bitte beachten Sie, dass unser Gerät nicht für den Einsatz in kommerziellen, gewerblichen oder industriellen Anwendungen ausgelegt ist. Unsere Garantie wird ungültig, wenn die Maschine in kommerziellen, gewerblichen oder industriellen Unternehmen oder für entsprechende Zwecke eingesetzt wird.

Die vom Hersteller gelieferte Bedienungsanleitung muss aufbewahrt und gelesen werden, um sicherzustellen, dass der Rasenmäher ordnungsgemäß benutzt und gewartet wird. Die Anleitung enthält wichtige Informationen zu Bedienungs-, Instandhaltungs- und Wartungsbedingungen.

Wichtig! Aufgrund der hohen Verletzungsgefahr für den Benutzer darf der Rasenmäher nicht zum Schneiden von Buschwerk, Hecken oder Gestrüpp, zum Mähen von Pflanzenbewuchs, bepflanzten Dächern oder Balkonrasen, zum Reinigen (Aufsaugen) von Schmutz und Unrat auf Gehwegen, oder zum Zerkleinern von Baum- oder Heckenverschnitt verwendet werden.

Darüber hinaus darf der Rasenmäher nicht als Bodenfräse zum Einebnen von Erhebungen, wie z. B. Maulwurfshäufen, verwendet werden. Aus Sicherheitsgründen darf der Rasenmäher nicht als Antriebseinheit für andere Arbeitswerkzeuge oder Werkzeugsätze jeglicher Art verwendet werden.

1. AM PRODUKT ANGEBRACHTE SYMBOLE (auf der Rückabdeckung)



Lesen Sie die Bedienungsanleitung.



Halten Sie Umstehende fern.



Achten Sie beim Bedienen vor allem auf Ihre Hände und Füße, um Verletzungen zu vermeiden.



Giftige Dämpfe! Kein Betrieb im Innenbereich.



Kraftstoffe sind brennbar. Kein Feuer! Füllen Sie Kraftstoff nicht bei laufendem Motor nach.



Tragen Sie beim Mähen Schutzbrille und Ohrstöpsel, um sich selbst zu schützen.



Ziehen Sie vor Reparaturarbeiten die Zündkerze heraus und nehmen Sie anschließend die Reparatur anhand der Bedienungsanleitung vor.



Achtung: Motor ist heiß.

2. ALLGEMEINE SICHERHEITSREGELN



WARNUNG: Bei der Verwendung von Benzinwerkzeugen müssen Sie stets grundlegende Sicherheitsmaßnahmen befolgen, einschließlich der Folgenden, um das Risiko von schweren Verletzungen und/oder Schäden am Gerät zu verringern. Lesen Sie vor der Inbetriebnahme dieses Produkts alle Anweisungen durch, und bewahren Sie diese zum späteren Nachschlagen auf.



WARNUNG: Während des Betriebs erzeugt diese Maschine ein elektromagnetisches Feld. Unter bestimmten Umständen kann dieses Feld aktive oder passive medizinische Implantate beeinträchtigen. Zur Verminderung des Risikos ernsthafter oder tödlicher Verletzungen empfehlen wir Personen mit medizinischen Implantaten, sich vor der Bedienung dieser Maschine an den Arzt oder den Hersteller des medizinischen Implantats zu wenden.

Einarbeitung

- Lesen Sie alle Anweisungen aufmerksam. Machen Sie sich mit der Bedienung und der ordnungsgemäßen Verwendung des Mähers vertraut.
- Lernen Sie, den Motor rasch anzuhalten.
- Verwenden Sie den Rasenmäher ausschließlich zum vorgesehenen Zweck, d.h. zum Schneiden und Sammeln von Gras. Die Verwendung zu anderen Zwecken kann gefährlich sein und zur Beschädigung des Geräts führen. Beispiele für eine unsachgemäße Verwendung sind unter anderem:
 - Transport von Personen, Kindern oder Tieren auf dem Gerät;
 - Verwendung als Transportgerät;
 - Verwendung des Geräts zum Ziehen oder Schieben von Lasten;
 - Verwendung des Geräts zum Sammeln von Laub oder Abfällen;
 - Verwendung des Geräts zum Trimmen von Hecken oder zum Schneiden von anderen Pflanzen außer Gras.
 - Bedienung des Geräts durch mehrere Personen;
 - Verwendung des Schnittwerkzeugs auf anderen Oberflächen außer Gras.
- Erlauben Sie Kindern und Personen, die diese Anleitungen nicht kennen, NIEMALS den Gebrauch des Rasenmähers. Örtliche Bestimmungen können das Mindestalter für den Bediener festlegen.
- Verwenden Sie den Rasenmäher niemals:
 - wenn Personen, vor allem Kinder, oder Haustiere in der Nähe sind;
 - wenn der Bediener Medikamente oder Substanzen eingenommen hat, die seine Reaktions- und Konzentrationsfähigkeit beeinträchtigen.
- Beachten Sie, dass der Bediener für Unfälle mit oder Gefahren für andere Personen oder deren Eigentum verantwortlich ist.

- Die Benutzer müssen eine sachgerechte Einweisung in Gebrauch, Einstellung und Betrieb der Maschine, einschließlich verbotener Handlungen, erhalten.

Vorbereitung

- Tragen Sie während des Mähens stets festes Schuhwerk und lange Hosen. Mähen Sie nicht barfuß oder mit leichten Sandalen.
- Überprüfen Sie den vorgesehenen Einsatzbereich des Geräts gründlich, und entfernen Sie sämtliche Objekte, wie z. B. Steine, Spielsachen, Stöcke und Drähte, die von der Maschine weggeschleudert werden können.
- **WARNUNG-** Benzin ist leicht entzündlich.
 - lagern Sie Benzin ausschließlich in dafür vorgesehenen Kanistern;
 - füllen Sie Benzin nur im Freien nach und rauchen Sie nicht dabei;
 - füllen Sie Benzin vor dem Starten des Motors nach. Entfernen Sie niemals die Tankkappe und füllen Sie Benzin nach, wenn der Motor läuft oder heiß ist;
 - falls Benzin ausläuft, starten Sie den Motor nicht, sondern bewegen Sie den Mäher aus diesem Bereich heraus und vermeiden Sie strengsten jede Art von Zündung, bis der Benzindampf verflogen ist;
 - setzen Sie alle Deckel für den Benzintank und Kanister wieder fest auf.
- Tauschen Sie defekte Schalldämpfer aus.
- Führen Sie vor jedem Gebrauch eine Sichtprüfung der Schnittmesser, Schrauben und Schnitteinheit auf Verschleiß und Beschädigungen durch. Tauschen Sie verschlissene oder beschädigte Schneiden und Schrauben nur satzweise aus, um eine Unwucht zu vermeiden.
- Unterziehen Sie alle Startsperrn und Totmanneinrichtungen einer regelmäßigen Überprüfung, um zu gewährleisten, dass sie einwandfrei funktionieren.

Betrieb

- Betreiben Sie den Motor nicht in Innenräumen, wo sich gefährliches Kohlenmonoxid ansammeln kann.
- Benutzen Sie die Maschine nicht, wenn Sie müde oder krank sind oder unter dem Einfluss von Alkohol oder Medikamenten stehen.
- **Warnung!** Benutzen Sie den Rasenmäher nicht, wenn Blitzgefahr besteht.
- Es wird empfohlen, die Benutzungsdauer zu begrenzen, um Gesundheitsschäden durch Lärm und Vibrationen zu minimieren.
- Lassen Sie Vorsicht walten, wenn Sie den Rasenmäher auf Hängen, auf stark abschüssigem Gelände und in der Nähe von Gräben oder Böschungen benutzen.
- Mähen Sie ausschließlich bei Tageslicht oder ausreichendem Kunstlicht.
- Vermeiden Sie, wenn möglich, den Betrieb des Mähers in feuchtem Gras.
- Achten Sie immer darauf, dass Sie an Hängen einen guten Stand haben.
- Laufen Sie beim Mähen, rennen Sie niemals beim Mähen.
- Mähen Sie bei Walzenmähern quer zum Hang, niemals nach oben und unten.

- Seien Sie besonders vorsichtig, wenn Sie die Richtung am Hang ändern.
- Mähen Sie nicht an Hängen mit übermäßiger Neigung.
- Seien Sie besonders vorsichtig, wenn Sie den Mäher zu sich heranziehen.
- Stoppen Sie das Schnittwerkzeug, wenn der Mäher beim Transport geneigt werden muss, z.B. beim Überqueren von Flächen, die kein Rasen sind, oder beim Transport von und zum zu mähenden Gelände.
- Verwenden Sie den Mäher niemals mit defekten oder ohne Schutzvorrichtungen, beispielsweise ohne Schutzbleche und/oder Grasfänger.
- Achtung: Der Rasenmäher darf nicht ohne den kompletten Grasfänger oder die selbstschließende Auswurföffnungs-Schutzklappe betrieben werden.
- Ändern Sie niemals die Einstellung des Dieselmotorreglers oder überlasten Sie den Motor nicht.
- Unterlassen Sie Änderungen oder Eingriffe an versiegelten Einstellungen für die Motordrehzahlregelung.
- Unterlassen Sie jegliche Manipulierung oder Deaktivierung der Sicherheitssysteme oder Sicherheitsfunktionen des Rasenmähers.
- Kuppeln Sie alle Blatt- und Antriebskupplungen aus, bevor Sie den Motor starten.
- Starten Sie den Motor vorsichtig entsprechend den Anweisungen und mit ausreichendem Abstand zwischen Füßen und Schnittwerkzeug.
- Kippen Sie Rasenmäher nicht, wenn Sie den Motor starten.
- Starten Sie den Motor nicht, wenn Sie vor der Auswurföffnung stehen.
- Halten Sie weder Hände noch Füße in die Nähe oder unter rotierende Teile. Achten Sie jederzeit auf ausreichenden Abstand zur Auswurföffnung.
- Heben oder tragen Sie einen Rasenmäher niemals mit laufendem Motor.
- Stoppen Sie in folgenden Situationen den Motor und ziehen Sie das Zündkabel ab, vergewissern Sie sich, dass alle sich bewegenden Teile zum völligen Stillstand gekommen sind und entfernen Sie, falls vorhanden, den Schlüssel.
 - vor dem Lösen von Blockierung oder Reinigen des Auswurfs;
 - vor dem Prüfen, Reinigen oder Arbeiten am Rasenmäher;
 - nach dem Anschlagen an Fremdkörper. Überprüfen Sie den Rasenmäher auf Beschädigungen und nehmen Sie ggf. Reparaturen vor, bevor Sie den Rasenmäher wieder starten und den Betrieb fortsetzen;
 - falls der Rasenmäher ungewöhnlich zu vibrieren beginnt (sofort überprüfen).
- Stoppen Sie in folgenden Situationen den Motor und ziehen Sie das Zündkabel ab, vergewissern Sie sich, dass alle sich bewegenden Teile zum völligen Stillstand gekommen sind und entfernen Sie, falls vorhanden, den Schlüssel.
 - wenn Sie den Rasenmäher verlassen;
 - vor dem Auftanken.
- Verringern Sie die Gashebeleinstellung, während der Motor aus ist und, falls der Motor mit einem Rückschlagventil ausgestattet ist, leiten Sie das Benzin aus dem Ende des Rasenmähers.
- Verwenden Sie den Rasenmäher ausschließlich zum Schneiden und Sammeln von Gras. Die Verwendung zu anderen Zwecken kann gefährlich sein und zur Beschädigung der Maschine führen.

Wartung und Lagerung

- Überprüfen Sie, dass alle Muttern, Bolzen und Schrauben stets festgezogen sind, um sichere Arbeitsbedingungen zu gewährleisten.
- Lagern Sie die Maschine niemals mit Benzin im Tank im Inneren eines Gehäuses, wo Dämpfe an offene Flammen oder Funken gelangen können.
- Lassen Sie den Motor abkühlen, bevor Sie das Gerät in einem geschlossenen Raum lagern. Reinigen und warten Sie den Rasenmäher vor der Lagerung.
- Zu Minderung der Brandgefahr müssen Sie Motor, Schalldämpfer, Akkufach und Lagerbereich des Benzins frei von Gras, Blättern und übermäßiger Schmiere halten.
- Überprüfen Sie den Grasfänger häufig auf Verschleiß oder Zerstörung.
- Ersetzen Sie verschlissene oder beschädigte Teile zu Ihrer Sicherheit.
- Falls der Benzintank geleert werden muss, sollten Sie dies im Freien tun.
- Unsachgemäße Wartung, Verwendung von nicht spezifikationsgerechten Ersatzteilen sowie Ausbau oder Abänderung von Sicherheitsteilen können zu einer Beschädigung des Rasenmähers und ernsthafter Verletzung der Benutzer führen.
- Verwenden Sie nur die vom Hersteller empfohlenen Messer und Ersatzteile. Die Verwendung von Fremdteilen kann zu einer Beschädigung der Maschine und Verletzung der Benutzer führen. Halten Sie den Rasenmäher in gutem Betriebszustand.
- Falls die Messerstoppvorrichtung nicht funktioniert, wenden Sie sich bitte an eine Kundendienststelle.

Transport und Handhabung

- Wenn das Gerät behandelt, angehoben, transportiert oder gekippt werden soll, müssen Sie:
 - feste Arbeitshandschuhe tragen;
 - das Gerät an den Punkten angreifen, die einen sicheren Griff bieten. Achten Sie dabei auf das Gewicht und die Gewichtsverteilung;
 - Arbeiten Sie mit einer dem Gewicht des Geräts und den Fahrzeugeigenschaften bzw. dem Ziel- oder Ausgangsort angemessenen Personenzahl.
- Sichern Sie das Gerät während des Transports mit fest angezogenen Seilen oder Ketten.



WARNUNG: Berühren Sie niemals ein rotierendes Blatt.



WARNUNG: Füllen Sie Benzin in einem gut belüfteten Bereich bei angehaltenem Motor nach.

3. BESCHREIBUNG DER BAUTEILE (Abb. 1 und 2)

Einschließlich

A: Schlüssel für Zündkerzenstecker

B: Mulchkeil

4. TECHNISCHE DATEN

Modell	PLM4120N	PLM4620N2
Motortyp	Baureihe B&S 500E	Baureihe B&S 625E, ReadyStart
Selbstantrieb	Nein	Nein
Motorhubraum	140 cm ³	150 cm ³
Nennleistung	1,9 kW	2,2 kW
Schneidklingenbreite	410 mm	460 mm
Leerlaufdrehzahl	2.800 U/min	2.800 U/min
Fassungsvermögen Kraftstofftank	0,8 l	0,8 l
Fassungsvermögen Öltank	0,47 l	0,47 l
Volumen Grasfänger	50 l	60 l
Nettogewicht	26,0 kg	27,6 kg
Höheneinstellung	25 – 70 mm, 5 Einstellungen	25 – 70 mm, 5 Einstellungen
Garantierter Schalldruckpegel an Bedienerposition (Gemäß EN ISO 5395-1 Anhang F und EN ISO 5395-2, EN ISO 4871)	84,6 dB (A) (K = 3 dB (A))	82,0 dB (A) (K = 3 dB (A))
Gemessener Schalleistungspegel	93,4 dB (A) K = 1,93 dB (A)	92,1 dB (A) K = 2,07 dB (A)
Garantierter Schalleistungspegel (Gemäß 2000/14/EG)	96 dB (A)	96 dB (A)
Schwingungen (Gemäß EN ISO 5395-1 Anhang G und EN ISO 5395-2)	5,27 m/s ² K = 1,5m/s ²	1,89 m/s ² K = 1,5m/s ²

5. MONTAGE

5-1 MONTIEREN DES KLAPPBAREN GRIFFS

- Befestigen Sie die untere Lenkerstange am Maschinenkörper mit zwei Sätzen aus Schraube, Unterlegscheibe und Feststellknopf, wie in der Abbildung dargestellt. (Abb. 3, Abb. 4, Abb. 5, Abb. 6)
- Lösen Sie die oberen Lenkerstangen zum Klappen. Verbinden Sie oberen Griff und unteren Griff mit zwei Sätzen aus Schraube, Unterlegscheibe und Feststellknopf. (Abb. 7, Abb. 8, Abb. 9)
- Verlegen Sie alle Kabel über die Griffrohre. Klemmen Sie die Kabel mit Hilfe der Kabelschellen in der Mitte der unteren Handgriffe fest, sodass die Kabel an den Außenseiten des Mähers fixiert sind. Andernfalls können die Kabel beim Öffnen/Schließen der hinteren Abdeckung eingeklemmt oder beim Zusammenklappen des oberen Griiffs gequetscht werden. (Abb. 10)

5-2 MONTIEREN UND DEMONTIEREN DES GRASFÄNGERS

- Einsetzen: Heben Sie die hintere Abdeckung an, und haken Sie den Grasfänger an der hinteren Achse am Mäher ein. (Abb. 11, Abb. 12)
- Entfernen: Heben Sie die hintere Abdeckung an, und entfernen Sie den Grasfänger.

5-3 STARTERGRIF

Bewegen Sie den Startergriff vom Motor zur Seilführung. (Abb. 13, Abb. 14)

5-4 SCHNITTHÖHE

Drücken Sie den Hebel nach außen, um ihn vom Gestell zu lösen. Bewegen Sie den Hebel vor und zurück, um die Höhe einzustellen. (Abb. 15 und siehe Abschnitt 7-8)

5-5 EINSTELLEN AUF EINE GEEIGNETE HÖHE

- Ziehen Sie den Feststellknopf heraus, mit dem der untere Griff befestigt ist. (Abb. 16)
- Bewegen Sie den unteren Griff entsprechend Abb. 17 nach oben und unten, und stellen Sie den Griff auf die richtige Höhe ein.
An diesem Rasenmäher können 3 verschiedene Höhen eingestellt werden; in Stellung 1 befindet sich der untere Griff in der höchsten Position, in Stellung 3 in der tiefsten.
- Stellen Sie die gewünschte Höhe ein, und befestigen Sie den unteren Griff mit Hilfe der Verriegelungsknöpfe.



WARNUNG: Die linke Seite und die rechte Seite des unteren Griiffs müssen auf dieselbe Höhe eingestellt sein.

6. 2-IN-1

Diese Rasenmäher können je nach Anwendungszweck von der normalen Funktion umgerüstet werden: Von Rasenmäher mit Hecksammlung zu Mulchmäher. Was ist Mulchen?

Beim Mulchen wird das Gras in einem einzigen Arbeitsschritt geschnitten, anschließend fein gehäckselt und als natürlicher Dünger wieder auf den Rasen ausgeworfen.

Tipps zum Mulchmähen:

- Stellen Sie den Verschnitt auf max. 2 cm bei einer Grashöhe von 4 bis 6 cm.
- Verwenden Sie ein scharfes Schnittmesser.
- Mähen Sie nicht, wenn das Gras feucht ist.
- Stellen Sie die maximale Motordrehzahl ein.
- Bewegen Sie sich nur im Arbeitstempo.
- Reinigen Sie den Mulchkeil, das Gehäuseinnere und das Schnittblatt regelmäßig.

EINS: Umrüsten zum Mulchmäher



WARNUNG: Nur bei abgestelltem Motor und still stehendem Schneidwerk.

1. Heben Sie die hintere Abdeckung an und entfernen Sie den Grasfänger.
2. Drücken Sie den Mulchkeil in das Deck. Verriegeln Sie den Mulchkeil mit der Unterseite in der Öffnung am Deck. (**Abb. 18, Abb. 19**)
3. Senken Sie die hintere Abdeckung wieder ab.

ZWEI: Mähen mit dem Grasfänger

1. Entfernen Sie zum Mähen mit dem Grasfänger den Mulchkeil, und montieren Sie den Grasfänger.
2. Entfernen des Mulchkeils.
 - Heben Sie die hintere Abdeckung an und entfernen Sie den Mulchkeil.



WARNUNG: Nur bei abgestelltem Motor und still stehendem Schneidwerk.

7. BEDIENUNGSANWEISUNGEN

7-1 VOR DEM STARTEN

Füllen Sie Benzin und Öl für den Motor nach, wie in dem separaten Motorhandbuch zu Ihrem Mäher aufgeführt. Lesen Sie alle Anweisungen aufmerksam.



WARNUNG: Benzin ist leicht entzündlich. Lagern Sie Benzin ausschließlich in dafür vorgesehenen Kanistern.

Füllen Sie Benzin nur im Freien nach, bevor Sie den Motor starten und rauchen Sie nicht dabei.

Entfernen Sie niemals die Tankkappe und füllen Sie Benzin nach, wenn der Motor läuft oder heiß ist.

Falls Benzin ausläuft, starten Sie den Motor nicht, sondern bewegen Sie den Mäher aus diesem Bereich heraus und vermeiden Sie strengsten jede Art von Zündung, bis der Benzindampf verfliegen ist.





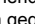
Setzen Sie alle Deckel für den Benzintank und Kanister wieder fest auf.

Entfernen Sie das Benzin aus dem Tank, bevor Sie den Rasenmäher kippen, um das Messer zu warten oder Öl abzulassen.



WARNUNG: Tanken Sie niemals im Inneren nach, bei laufendem Motor oder bei noch heißen Motor; lassen Sie den Motor mindestens 15 Minuten nach dem Betrieb abkühlen.

7-2 SO STARTEN SIE DEN MOTOR UND SETZEN SIE DIE SCHNEIDKLINGE EIN

1. Der Mäher ist mit einer Gummimanschette über dem Ende der Zündkerze ausgestattet, damit die Metallschlaufe am Ende des Zündkerzenkabels (in der Gummimanschette) sicher über der Metallspitze der Zündkerze befestigt ist.
2. Für PLM4120N:
Drücken Sie beim Kaltstart die Anlasseinspritzpumpe 3-5 Mal, bevor Sie den Motor starten, und stellen Sie den Chochebel auf die Position „“. Stellen Sie den Chochebel beim Starten und Betreiben des warmen Motors auf die Position „“. (**Abb. 20, Abb. 21**)
3. Für PLM4620N:
Wenn Sie den kalten oder warmen Motor starten, stellen Sie den Chochebel auf eine beliebige Stellung zwischen der Position „“ und der Position „“. Stellen Sie den Chochebel während des Betriebs auf die Position „“. (**Abb. 21**)
4. Greifen Sie hinter dem Mäher stehend den Stoppregelgriff, und halten Sie ihn gegen den oberen Griff (siehe **Abb. 22**).
5. Greifen Sie den Startergriff, wie in **Abb. 22** dargestellt, und ziehen Sie ihn schnell nach oben. Bringen Sie ihn langsam nach dem Starten des Motors zum Seilführungsbolzen zurück. Lassen Sie den Stoppregelgriff los, um den Motor und die Klinge zu stoppen.



Starten Sie den Motor vorsichtig entsprechend den Anweisungen und mit ausreichendem Abstand zwischen Füßen und Schneidwerkzeug.



Kippen Sie Rasenmäher nicht, wenn Sie den Motor starten. Starten Sie den Mäher auf einer ebenen Fläche ohne hohes Gras oder Hindernisse.



Halten Sie Ihre Hände und Füße von beweglichen Teilen fern. Starten Sie den Motor nicht, wenn Sie vor der Auswurföffnung stehen.

7-3 BEDIENUNG

Halten Sie den Stoppregelgriff während des Betriebs stets mit beiden Händen fest.



Hinweis: Wenn Sie den Stoppregelgriff während des Betriebs loslassen, stoppt der Motor und daher auch der Rasenmäher.



WARNUNG: Um unbeabsichtigtes Starten des Rasenmähers zu verhindern, ist dieser mit einer Motorbremse ausgestattet, die zurückgezogen werden muss, bevor der Motor gestartet werden kann. Wenn der Motorsteuerhebel losgelassen wird, muss er zu seiner Ausgangsstellung zurückkehren, wodurch der Motor automatisch ausgeschaltet wird.



Hinweis: Motorbremse (Bremsgriff): Benutzen Sie den Hebel, um den Motor zu stoppen. Wenn Sie den Hebel loslassen, bleiben Motor und Messer automatisch stehen. Halten Sie den Hebel zum Mähen in der Arbeitsstellung. Bevor Sie mit dem Mähen beginnen, überprüfen Sie den Start/Stop-Hebel mehrmals, um sicherzugehen, dass er ordnungsgemäß funktioniert. Vergewissern Sie sich, dass der Spannzeilzug reibungslos betätigt werden kann (d. h. er bleibt nicht hängen und wird nicht geknickt).

7-4 SO STOPPEN SIE DEN MOTOR



ACHTUNG: Nach dem Stopp des Motors dreht sich die Klinge für einige Sekunden weiter.

1. Lassen Sie den Stopregelgriff los, um den Motor und die Klinge zu stoppen.
2. Ziehen Sie das Zündkerzenkabel ab und erden Sie es, wie in dem separaten Motorhandbuch beschrieben, um ein versehentliches Starten des Motors eines unbeaufsichtigten Mähers zu verhindern.

7-5 FÜR BESTE ERGEBNISSE BEIM MÄHEN

Lesen Sie Fremdkörper vom Rasen ab. Vergewissern Sie sich, dass keine Steine, Stöcke, Kabel oder Fremdkörper auf dem Rasen herumliegen, die versehentlich vom Mäher in eine beliebige Richtung herausgeschleudert werden und schwere Verletzungen des Bedieners oder anderer Personen oder Sachschäden verursachen könnten. Mähen Sie kein feuchtes Gras. Mähen Sie für ein effektives Mähen kein feuchtes Gras, da dies zum Klumpen an der Deckunterseite neigt und ein richtiges Mähen des Grasschnitts verhindert. Schneiden Sie nicht mehr als 1/3 der Grashöhe ab.

Für das Mähen wird das Abmähen von 1/3 der Grashöhe empfohlen. Die Vorschubgeschwindigkeit muss so angepasst werden, dass der Grasschnitt gleichmäßig auf den Rasen ausgeworfen werden kann. Vor allem beim Schneiden von dickem Gras wird eine der langsamsten Geschwindigkeiten genutzt werden müssen, um einen sauberen, gut gemähten Schnitt zu erhalten. Beim Mähen von langem Gras müssen Sie den Rasen möglicherweise in zwei Durchgängen mähen; mähen Sie im ersten Durchgang 1/3 der Grashöhe ab und im zweiten Durchgang ein weiteres Drittel und möglicherweise in einem anderen Verlaufsmuster.

Durch leichtes Überlappen jedes Durchgangs können Sie alle vereinzelt, auf dem Rasen verbliebenen Schnitte bereinigen. Der Mäher sollte stets bei Vollgas betrieben werden, um den besten Schnitt zu erhalten und ein effektives Mähen zu erreichen. Reinigen Sie die Deckunterseite.

Reinigen Sie nach jeder Verwendung die Schneiddeckunterseite, um die Ansammlung von Gras zu vermeiden, wodurch ein ordentliches Mulchen verhindert werden könnte.

Mähen von Blättern: Das Mähen von Blättern kann für Ihren Rasen auch von Vorteil sein. Vergewissern Sie sich vor dem Mähen von Blättern, dass diese trocken sind und nicht zu dick auf dem Rasen liegen. Warten Sie nicht, bis alle Blätter von den Bäumen gefallen sind, bevor Sie mähen.



WARNUNG: Falls der Mäher auf einen Fremdkörper schlägt, stoppen Sie den Motor. Ziehen Sie das Kabel vom Zündkerzenstecker, überprüfen Sie den Mäher gründlich auf Beschädigungen und reparieren Sie Schäden, bevor Sie den Mäher neu starten und weiter betreiben. Übermäßige Vibrationen des Mähers während des Betriebs sind Anzeichen eines Schadens. Der Mäher sollte umgehend überprüft und repariert werden.

7-6 GRASFÄNGER

Leeren und reinigen Sie den Grasfänger und stellen Sie die Durchblasen durch das Maschenwerk sicher.

(Abb. 23)

7-7 DECK

Die Unterseite des Mäherdecks muss nach jeder Verwendung gereinigt werden, um ein Ansammeln von Grasschnitt, Blättern, Schmutz oder anderen Materialien zu verhindern. Falls sich Fremdkörper ansammeln können, wird Rost und Oxydation begünstigt, und ein ordentliches Mulchen möglicherweise verhindert. Möglicherweise müssen Sie zum Reinigen des Decks den Mäher kippen und mit einem geeigneten Werkzeug sauber kratzen. (Ziehen Sie auf jeden Fall den Zündkerzenstecker ab)

7-8 ANLEITUNGEN ZUR HÖHENEINSTELLUNG



ACHTUNG: Nehmen Sie NIEMALS Einstellungen am Rasenmäher vor, ohne dass Sie zuerst den Motor gestoppt und das Zündkerzenkabel abgezogen haben.



ACHTUNG: Stoppen Sie den Mäher und ziehen Sie das Zündkerzenkabel ab, bevor Sie die Schnitthöhe ändern. Ihr Rasenmäher ist mit einem zentralen Höheneinstellungshebel ausgestattet, über den Sie 5 Höhenpositionen einstellen können.

1. Stoppen Sie den Mäher und ziehen Sie das Zündkerzenkabel ab, bevor Sie die Schnitthöhe ändern.
2. Der zentrale Höheneinstellungshebel bietet 5 verschiedene Höhenpositionen.

3. Zum Ändern der Schnitthöhe drücken Sie den Einstellungshebel in Richtung Rad und bewegen Sie diesen nach oben oder unten auf die gewünschte Höhe (**Abb. 24**). Alle Räder müssen auf gleicher Schnitthöhe sein.

8. WARTUNGSANWEISUNGEN

ZÜNDKERZENSTECKER

Verwenden Sie für den Zündkerzenstecker nur originale Ersatzteile. Tauschen Sie für beste Ergebnisse den Zündkerzenstecker aller 100 Betriebsstunden aus. (Siehe MOTORHANDBUCH)

BREMSBELÄGE

Überprüfen und/oder ersetzen Sie die Motorbremsbeläge in regelmäßigen Wartungsintervallen. Nur Originalteile dürfen als Ersatz verwendet werden.

9. SCHMIERUNGSANWEISUNGEN



ACHTUNG: TRENNEN SIE VOR WARTUNGSARBEITEN DIE ZÜNDKERZE AB.

1. RÄDER: Schmieren Sie die Kugellager in jedem Rad mindestens 1x in der Saison mit einem Leichtöl.
2. MOTOR: Halten Sie sich an die Schmierungsanweisungen im Motorhandbuch.

10. REINIGEN



ACHTUNG: Spritzen Sie den Motor nicht ab. Wasser kann den Motor beschädigen und das Kraftstoffsystem verunreinigen.

1. Reiben Sie das Deck mit einem trockenen Tuch ab.
2. Spritzen Sie unter das Deck, indem Sie den Mäher so kippen, dass die Zündkerze oben ist.

10-1 MOTORENLUFTREINIGER



ACHTUNG: Erlauben Sie nicht, dass Dreck und Schmutz den Luftfilter verschmutzen.

Das Luftreinigerelement des Motors muss nach 25 Stunden normalen Mähens gereinigt werden. Das Schaumstoffelement muss regelmäßig gereinigt werden, wenn der Mäher in trockenen und staubigen Bedingungen verwendet wird. (Siehe MOTORHANDBUCH.)

SO REINIGEN SIE DEN LUFTFILTER

1. Heben Sie die Lasche an der Filterabdeckung an. (**Abb. 25A, Abb. 25B**)
2. Entfernen Sie die Filterabdeckung.
3. Waschen Sie das Filterelement in Seifenwasser.
VERWENDEN SIE KEIN BENZIN.

4. Lassen Sie das Luftreinigungselement an der Luft trocknen.
5. Geben Sie einige Tropfen SAE30-Öl auf den Schaumfilter, und quetschen Sie überschüssiges Öl aus.
6. Setzen Sie den Filter wieder ein.
7. Schließen Sie den Filterdeckel.



HINWEIS: Tauschen Sie den Filter aus, falls dieser ausgefranst, verschlissen, beschädigt oder nicht zu reinigen ist.

10-2 SCHNEIDKLINGE



ACHTUNG: Trennen und erden Sie auf jeden Fall den Zündkerzenstecker, bevor Sie an der Schneidklinge arbeiten, um ein versehentliches Starten des Motors zu verhindern. Schützen Sie Ihre Hände mit Handschuhen oder einem Lappen, wenn Sie die Schneidklingen anfassen. Kippen Sie den Mäher, wie in dem separaten Motorhandbuch angegeben. Entfernen Sie die Sechskantschraube, die die Klinge und den Klingenadapter auf der Motorwelle hält. Entfernen Sie die Klinge und den Adapter von der Welle.



WARNUNG: Überprüfen Sie regelmäßig den Schneidklingenadapter auf Risse, vor allem, wenn Sie einen Fremdkörper gestreift haben. Tauschen Sie diesen bei Bedarf aus.

Für beste Ergebnisse sollte die Schneidklinge scharf sein. Sie können die Klinge nachschärfen, entfernen Sie sie dazu und schleifen oder feilen Sie die Schnittkante so nah wie möglich an der originalen Abfasung nach. Es ist extrem wichtig, dass jede Schnittkante gleichmäßig abgetragen wird, um eine Schneidklingenunwucht zu vermeiden. Eine Schneidklingenunwucht führt zu übermäßigen Schwingungen und eventueller Beschädigung von Motor und Mäher. Wuchten Sie die Schneidklinge nach dem Schärfen sorgfältig aus. Balancieren Sie die Schneidklinge dafür auf dem runden Teil eines Schraubendrehers. Entfernen Sie Material von der schwereren Seite, bis die Schneidklinge in der Balance ist. (**Abb. 26**)
Schmieren Sie vor der Wiedermontage der Schneidklinge und des Schneidklingenadapters die Motorwelle und die Innenfläche des Schneidklingenadapters mit Leichtöl. Setzen Sie den Schneidklingenadapter auf die Welle. Siehe **Abb. 26**. Setzen Sie die Schneidklinge mit der Teilenummer weg vom Adapter zeigend auf. Richten Sie die Unterlegscheibe über der Schneidklinge aus, und setzen Sie die Sechskantschraube auf. Ziehen Sie die Sechskantschraube mit dem angegebenen Drehmoment an.

10-3 MONTAGEDREHMOMENT FÜR DIE SCHNEIDKLINGE

Der Mittelbolzen muss mit einem Moment von 35 bis 45 Nm festgezogen werden, um einen sicheren Betrieb Ihres Werkzeugs zu gewährleisten. Prüfen Sie alle Muttern und Schrauben regelmäßig auf festen Sitz. Nach einer längeren Verwendung, vor allem bei sandigen Böden, verschleißt die Schneidklinge und verliert ihre ursprüngliche Schärfe. Ein effizientes Mähen wird vermindert und die Klinge muss ausgetauscht werden. Verwenden Sie als Austausch ausschließlich eine genehmigte Ersatzschneidklinge. Mögliche Schäden aufgrund einer Schneidklingenunwucht liegen nicht in der Verantwortung des Herstellers.

Wenn Sie die Klinge tauschen, müssen Sie den auf der Klinge angegebenen Originaltyp wieder verwenden (MAKITA 263001433 für PLM4120N; MAKITA 263001451 für PLM4620N2) (für die Bestellung der Klinge wenden Sie sich an Ihren Händler vor Ort oder rufen in unserem Unternehmen an).



WARNUNG: Berühren Sie niemals ein rotierendes Blatt.

10-4 MOTOR

Schlagen Sie im separaten Motorhandbuch die Wartungsanweisungen für den Motor nach.

Wechseln Sie das Motoröl wie in dem separaten Motorhandbuch zu Ihrem Mäher aufgeführt.

Lesen Sie alle Anweisungen aufmerksam durch und befolgen Sie diese.

Warten Sie den Luftreiniger unter normalen Bedingungen, wie im separaten Motorhandbuch angegeben. Reinigen Sie diese unter extrem staubigen Bedingungen aller paar Stunden. Schlechte Motorleistung und Absaufen weisen gewöhnlich auf eine fällige Wartung des Luftreinigers hin. Warten Sie den Luftreiniger wie in dem separaten Motorhandbuch zu Ihrem Mäher aufgeführt.

Der Zündkerzenstecker muss sauber sein und der Abstand sollte 1x pro Saison eingestellt werden. Ein Austausch des Zündkerzensteckers wird zu Beginn jeder Mähseason empfohlen. Den korrekten Steckertyp und die Abstandsdaten finden Sie im Motorhandbuch.

Reinigen Sie den Motor regelmäßig mit einem Tuch oder einer Bürste. Halten Sie das Kühlsystem (Bereich des Gebläsegehäuses) sauber, um die richtige Luftzirkulation zu gewährleisten, die für die Leistung und die Lebenszeit des Motors wichtig ist. Entfernen Sie Gras, Schmutz und entflammbare Fremdkörper aus dem Schalldämpferbereich.

11. LAGERUNGSANWEISUNGEN (AUSSERHALB DER SAISON)

Die folgenden Schritte sollten unternommen werden, um den Rasenmäher auf eine Lagerung vorzubereiten.

1. Leeren Sie den Tank nach dem letzten Mähen der Saison.
 - a) Leeren Sie den Benzintank mit einer Ansaugpumpe.



ACHTUNG: Lassen Sie das Benzin nicht in geschlossenen Räumen, in unmittelbarer Nähe von Feuer usw. ab. Rauchen Sie nicht! Benzindämpfe können zu einer Explosion oder einem Brand führen.

- b) Starten Sie den Motor und lassen Sie ihn laufen, bis alles verbliebene Benzin verbraucht ist und er stehen bleibt.
 - c) Entfernen Sie die Zündkerze. Füllen Sie mit einer Ölkanne ca. 20 ml Öl in die Verbrennungskammer. Betätigen Sie den Starter, um das Öl gleichmäßig in der Verbrennungskammer zu verteilen. Setzen Sie die Zündkerze wieder ein.
2. Reinigen und schmieren Sie den Rasenmäher sorgfältig, wie unter „SCHMIERUNGSANWEISUNGEN“ beschrieben.
 3. Schmieren Sie die Schneidfläche zur Vermeidung von Korrosion leicht ein.
 4. Bewahren Sie den Rasenmäher in einem trockenen, sauberen und frostgeschützten Raum außerhalb der Reichweite unautorisierten Personen auf.



ACHTUNG: Der Motor muss vor der Lagerung des Rasenmähers völlig abgekühlt sein.



HINWEIS:

Wenn Antriebsaggregate jeglichen Typs in einem unbelüfteten oder Materiallagerhaus gelagert werden;

- Achten Sie auf einen Rostschutz der Maschine. Tragen Sie ein Leichtöl oder Silikon auf die Maschine auf, vor allem auf Kabel und alle sich bewegenden Teile.
- Achten Sie darauf, Kabel nicht zu biegen oder zu knicken.
- Falls das Starterseil von der Seilführung am Griff abgetrennt wird, ziehen Sie das Zündkerzenkabel ab und erden Sie es. Drücken Sie den Klappenregelgriff und ziehen Sie das Starterseil langsam aus dem Motor. Schieben Sie das Starterseil in den Seilführungsbolzen am Griff.

Transport

Stellen Sie den Motor ab, und lassen Sie ihn abkühlen. Ziehen Sie dann das Zündkerzenkabel ab, und entleeren Sie den Kraftstofftank gemäß den Anweisungen im Motorhandbuch. Stellen Sie sicher, dass das Schneidglied nicht verbogen oder beschädigt wird, wenn Sie den Rasenmäher über Hindernisse schieben.

12. PROBLEMBEHEBUNG

PROBLEM	MÖGLICHE URSACHE	KORREKTURMASSNAHME
Motor startet nicht.	Gashebel nicht in der richtigen Position für die vorherrschenden Bedingungen.	Bewegen Sie den Gashebel in die richtige Position.
	Benzintank ist leer.	Füllen Sie Benzin nach. (Siehe MOTORHANDBUCH)
	Luftreinigungselement ist verschmutzt.	Reinigen Sie das Luftreinigungselement. (Siehe MOTORHANDBUCH)
	Zündkerzenstecker ist lose.	Ziehen Sie den Zündkerzenstecker mit einem Moment von 25 bis 30 Nm fest.
	Zündkerzenkabel ist lose oder vom Stecker abgetrennt.	Bringen Sie das Zündkerzenkabel am Zündkerzenstecker an.
	Abstand der Zündkerze ist nicht korrekt.	Stellen Sie den Abstand zwischen den Elektroden auf 0,7 bis 0,8 mm ein.
	Zündkerzenstecker ist defekt.	Bauen Sie einen neuen Stecker mit korrektem Abstand ein. (Siehe MOTORHANDBUCH)
	Vergaser ist mit Benzin abgesoffen.	Entfernen Sie das Luftreinigungselement und ziehen Sie das Starterseil kontinuierlich, bis der Vergaser sich selbst leert und setzen Sie das Luftreinigungselement wieder ein.
	Defektes Zündungsmodul.	Wenden Sie sich an ein von Makita autorisiertes Servicezentrum.
Motor kann nur schwierig gestartet werden oder verliert an Leistung.	Schmutz, Wasser oder abgestandenes Benzin im Tank.	Lassen Sie das Benzin ab und reinigen Sie den Tank. Füllen Sie sauberes und frisches Benzin nach.
	Belüftungsloch im Benzintankdeckel ist verstopft.	Reinigen Sie den Tankdeckel oder ersetzen Sie ihn.
	Luftreinigungselement ist verschmutzt.	Reinigen Sie das Luftreinigungselement.
Motor läuft unstet.	Zündkerzenstecker ist defekt.	Bauen Sie einen neuen Stecker mit korrektem Abstand ein. (Siehe MOTORHANDBUCH)
	Abstand der Zündkerze ist nicht korrekt.	Stellen Sie den Abstand zwischen den Elektroden auf 0,7 bis 0,8 mm ein.
	Luftreinigungselement ist verschmutzt.	Reinigen Sie das Luftreinigungselement. (Siehe MOTORHANDBUCH)
Motorleerlauf zu gering.	Luftreinigungselement ist verschmutzt.	Reinigen Sie das Luftreinigungselement. (Siehe MOTORHANDBUCH)
	Luftschlitz in Motorabdeckung sind blockiert.	Säubern Sie die Schlitz von Unrat.
	Kühlrippen und Luftdurchgänge unter dem Gebläsegehäuse des Motors sind blockiert.	Entfernen Sie die Fremdkörper aus den Kühlrippen und Luftdurchgängen.
Motor setzt bei hoher Drehzahl aus.	Anstand zwischen Elektroden des Zündsteckers ist zu eng.	Stellen Sie den Abstand zwischen den Elektroden auf 0,7 bis 0,8 mm ein.
Motor überhitzt.	Kühlluftstrom ist eingeschränkt.	Entfernen Sie alle Fremdkörper aus den Schlitzen in der Abdeckung, Gebläsegehäuse und Luftdurchgängen.
	Fehlerhafter Zündkerzenstecker.	Installieren Sie die Original-Zündkerze und die Kühlrippen am Motor.
Mäher vibriert abnormal.	Schnittbaugruppe ist lose.	Ziehen Sie die Klinge fest.
	Schnittbaugruppe ist nicht ausgewuchtet.	Wuchten Sie die Klinge aus.

13. UMWELT

Sollte Ihre Maschine nach langem Gebrauch ausgetauscht werden, geben Sie diese nicht zum Hausmüll, sondern entsorgen Sie sie umweltfreundlich und sicher.

14. EG-KONFORMITÄTSERKLÄRUNG

Nur für europäische Länder

Die EG-Konformitätserklärung ist als Anhang A in dieser Bedienungsanleitung enthalten.

Makita Europe N.V. Jan-Baptist Vinkstraat 2,
3070 Kortenberg, Belgium

Makita Corporation 3-11-8, Sumiyoshi-cho,
Anjo, Aichi 446-8502 Japan