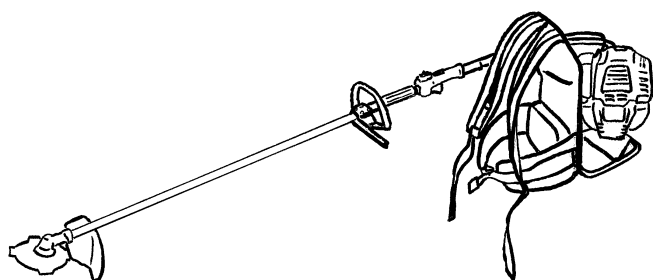




English / French / German
Italian / Dutch / Spanish / Português

Backpack BrushCutter
Débroussailleuse à dos
Rücken tragbare Benzin Motorsense
Decespugliatore a Zaino
Op de rug braagbare Bosmaaier
Desbrozadora de mochila
Cortador de Grama Tipo Mochila

EBH341R



EBH341R

INSTRUCTION MANUAL
MANUEL D'INSTRUCTIONS
BETRIEBSANLEITUNG
ISTRUZIONI D'USO
GEBRUIKSAANWIJZING
MANUAL DE INSTRUCCIONES
MANUAL DE INSTRUÇÕES

Warning

Read this instruction manual carefully before putting the Brush Cutter into operation and strictly observe the safety regulations!
Preserve instruction manual carefully!

Avertissement

Lire attentivement ce manuel d'instruction avant d'utiliser la Débroussailleuse et observer rigoureusement les règles de sécurité!
Conserver ce manuel dans un endroit sûr!

Waarschuwing

Lesen Sie diese Betriebsanleitung vor der Inbetriebnahme der Motorsense aufmerksam durch und halten Sie die Sicherheitsvorschriften genau ein!
Bewahren Sie diese Betriebsanleitung sorgfältig auf!

Attenzione

Leggete attentamente questo manuale di istruzioni prima di far funzionare il Decespugliatore, ed osservate rigorosamente le regole sulla sicurezza!
Conservate con cura questo manuale di istruzioni!

Waarschuwing

Lees deze gebruiksaanwijzing zorgvuldig alvorens de Bosmaaier in gebruik te nemen en neem de veiligheidsvoorschriften strict in acht!
Bewaar deze gebruiksaanwijzing zorgvuldig!

Advertencia

Lea atentamente este manual de instrucciones antes de poner en funcionamiento el Desbrozadora y cumpla estrictamente los reglamentos de seguridad.
Guarde cuidadosamente este manual de instrucciones.

Advertência

Leia este manual cuidadosamente antes de pôr o Cortador de Grama Tipo Mochila em funcionamento e observe rigorosamente as normas de segurança.
Conserve este manual de instruções com cuidado.

Thank you very much for selecting the MAKITA Brush Cutter. We are pleased to be able to you the MAKITA Brush Cutter which is the result of a long development programme and many years of knowledge and experience.

Please read, understand and follow this booklet which refers in detail to the various points that will demonstrate its outstanding performance. This will assist you to safely obtain the best possible result from your MAKITA Brush Cutter.



Table of Contents	Page
Symbols	2
Safety instructions	3-6
Technical data	8
Designation of parts	9
Assembly of engine and drive shaft	10-11
Mounting of handle	12
Mounting of protector	12
Mounting of cutter blade	12
Before start of operation	13-14
Point in operation and how to stop	15-16
Resharpener the cutter blade	16
Servicing instructions	17-19
Storage	20-21
Troubleshooting procedures	22

SYMBOLS

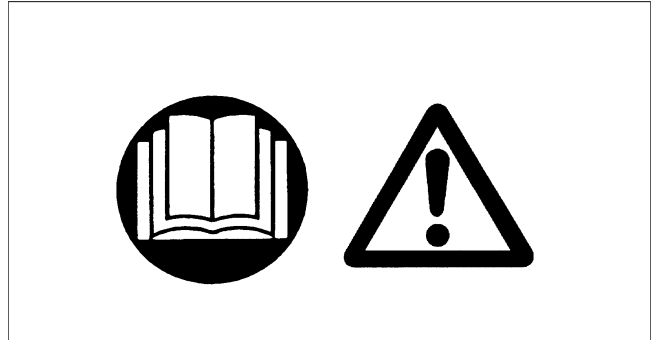
It is very important to understand the following symbols when reading this instructions manual.

	Read instruction Manual		Wear protective helmet, eye and ear protection
	WARNING/DANGER/CAUTION		Top permissible tool speed
	Forbidden		Fuel (Gasoline)
	Keep distance		Engine-Manual start
	Flying object hazard		Emergency stop
	No Smoking		First Aid
	No open flame		Recycling
	Protective gloves must be worn		ON/START
	Kickback (for Brush Cutter only)		OFF/STOP
	Keep the area of operation clear of all persons and pets		CE mark

SAFETY INSTRUCTIONS

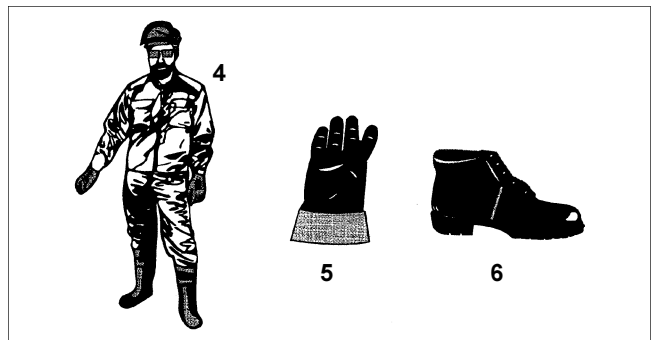
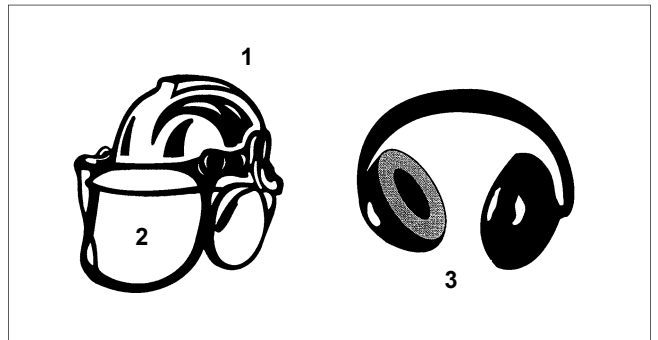
General Instructions

- To ensure correct and safe operation, the user must read, understand and follow this instruction manual to assure familiarity with the handling of the brush cutter. Users insufficiently informed will risk danger to themselves as well as others due to improper handling.
- It is recommended only to loan the brush cutter to people who have proven to be experienced with brush cutters. Always hand over the instruction manual.
- Use brush cutters with the utmost care and attention.
- First-time users should ask the dealer for basic instructions to familiarize oneself with the handling of an engine powered cutter.
- Children and young persons aged under 18 years must not be allowed to operate the brush cutter. Persons over the age of 16 years may however use the tool for the purpose of being trained only while under the direct supervision of a qualified trainer.
- Use brush cutters with the utmost care and attention.
- Operate the brush cutter only if you are in good physical condition. Perform all work conscientiously and carefully. The user has to accept responsibility for others.
- Never use the brush cutter while under the influence of alcohol or drugs.
- Do not use the unit when you are tired.
- **Save these instructions for future referral.**



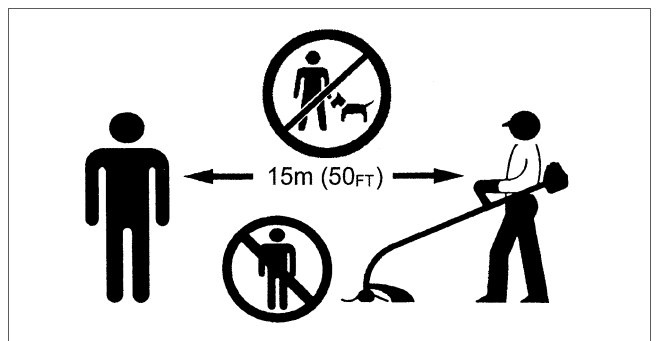
Personal protective equipment

- The clothing worn should be functional and appropriate, i.e. it should be tight-fitting but not cause hindrance. Do not wear jewelry, clothing or long hair which could become entangled with bushes or shrubs.
- In order to avoid head-, eye-, hand- or foot injuries as well as to protect your hearing the following protective equipment and protective clothing must be used during operation of the brush cutter.
- Always wear a helmet when working in the forest. The protective helmet (1) is to be checked at regular intervals for damage and is to be replaced at least every 5 years. Use only approved protective helmets.
- The visor (2) of the helmet (or approved goggles) protects the face from flying sticks, stones or other object. During operation of the brush cutter always wear goggles, or a visor to prevent eye injuries.
- Wear adequate noise protection equipment to avoid hearing impairment (ear muffs (3), ear plugs etc.), especially during extended work periods.
- The work overalls (4) protect against flying stones and splinters. We strongly recommend that the user wear work overalls.
- Special gloves (5) made of thick leather are part of the prescribed equipment and must always be worn during operation of the brush cutter.
- When using the brush cutter, always wear sturdy shoes (6) with a non-slip sole. This protects against injuries and ensures good footing.



Starting up the brush cutter

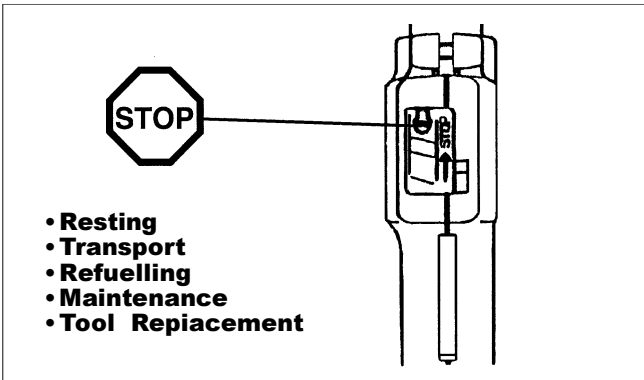
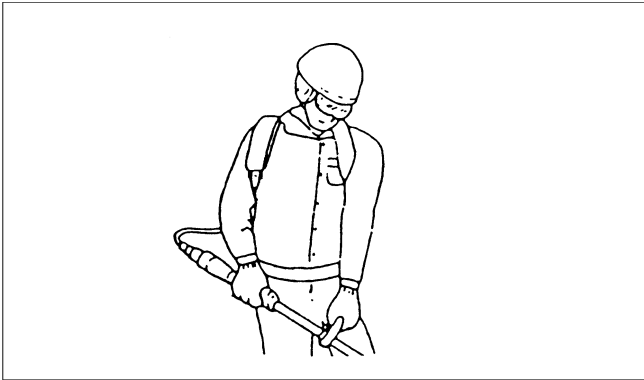
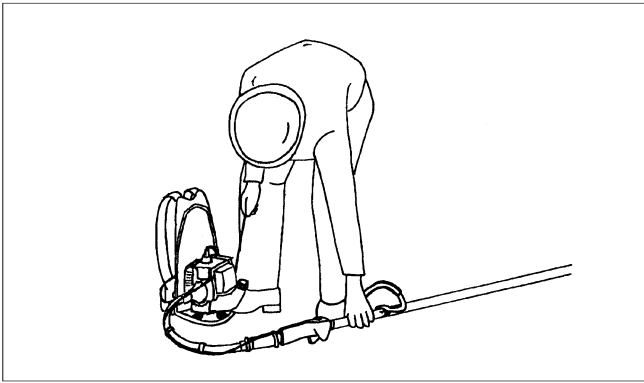
- Please make sure that there are no children or other people within a working range of 50 ft. or 15 meters, also pay attention to any animals in the working vicinity.
- **Before operating, always check that the brush cutter is safe for operation:**
Check the security of the cutter blade. Be sure the blade mounting nut is firmly secured. The throttle lever should be checked for smooth and easy action. Check for proper functioning of the throttle lever lock. The cutter blade must not rotate during idling.
Consult idle adjustment instructions on page 16. Check for clean and dry handles and test the function of the STOP switch. Keep handles free of oil and fuel.
- Before operation, check and follow local regulations concerning sound level and hours of operations.
- Only start the brush cutter positioned on the ground.
- Do not start it on the back.



Start the brush cutter only in accordance with the instructions.

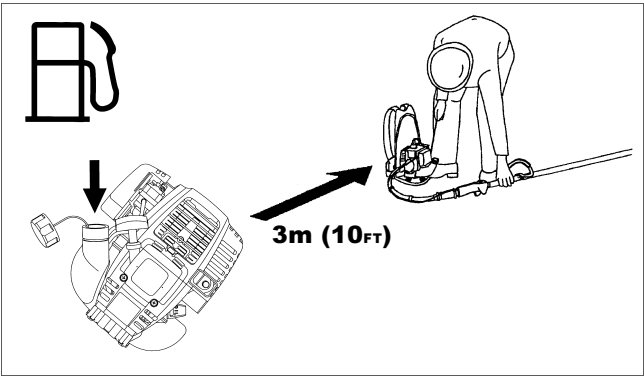
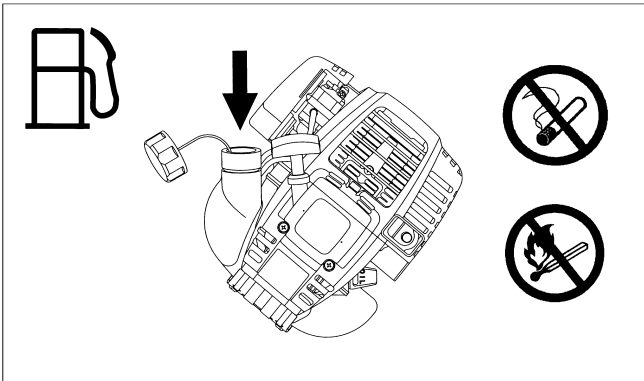
Do not use any other methods for starting the engine!

- Use the brush cutter and the tools supplied only for applications specified.
- Start the brush cutter engine only after the entire tool has been assembled. Operation of the tool is permitted only after all the appropriate accessories are attached!
- Before starting, make sure that the cutter blade will not contact any objects such as branches, stones, etc.
- The engine is to be stopped immediately if there are any engine problems.
- Should the cutter blade hit stones or any other objects immediately stop the engine and inspect the cutter blade.
- Inspect the cutter blade at frequent regular intervals for damage (detect hairline cracks by means of a tapping-noise test).
- A familiar ringing sound should be heard.
- Operate the brush cutter only with the shoulder strap attached. It should be properly adjusted before putting the brush cutter into operation. It is essential to adjust the shoulder strap to the user's size to prevent fatigue occurring during use or loss of control of the tool. Never hold the tool with one hand during use.
- During operation always hold the brush cutter with both hands. Always ensure a safe, well-balanced footing.
- Operate the brush cutter in such a manner as to avoid inhalation of the exhaust gases. Never run the engine in enclosed rooms (risk of suffocation and gas poisoning). Carbon monoxide is an odorless gas. Always ensure there is adequate ventilation.
- Stop the engine when resting and when leaving the brush cutter unattended. Place it in a safe location to prevent danger to others, setting fire to combustible materials, or damage to the machine.
- Never lay down the hot brush cutter onto dry grass or onto any combustible materials.
- The cutter blade must be used with its appropriate guard. Never run the tool without this guard!
- All protective parts and guards supplied with the machine must be used during operation.
- Never operate the engine with a faulty exhaust muffler.
- Stop the engine during transport.
- During transport over long distances the tool protection included with the equipment must always be used.
- Put the brush cutter in upright position and fix it during care or truck transportation to avoid damage.
- When transporting the brush cutter, ensure that the fuel tank is completely empty, to avoid fuel leakage.



Refuelling

- To reduce the risk of fire and burn injury, handle fuel with care it is highly flammable, Stop the engine during refuelling, keep well away from open flame and do not smoke.
- Avoid skin contact with petroleum products. Do not inhale fuel vapor. Always wear protective gloves during refuelling. Change and clean protective clothing at regular intervals.
- Take care not to spill either fuel or oil. Always wipe unit dry before starting engine. Allow wet cloths to dry before disposing in proper, covered container to prevent spontaneous combustion.
- Avoid any fuel contact with your clothing. Change your clothing immediately if fuel has spilled on it (danger hazard).
- Inspect the fuel cap at regular intervals making sure that stays securely fastened.
- Carefully tighten the locking screw of the fuel tank. Change locations to start the engine (at least 10ft. or 3 meters away from the place of refueling).
- Never refuel in closed rooms. Fuel vapors accumulate at ground level (risk of explosions).
- Only transport and store fuel in approved containers. Make sure stored fuel is not accessible to children.
- Do not attempt to refuel a hot or a running engine.
- When mixing gasoline with two-stroke engine oil, use only gasoline which contains no ethanol or methanol (types of alcohol). This will help to prevent damage to fuel lines and other engine parts.



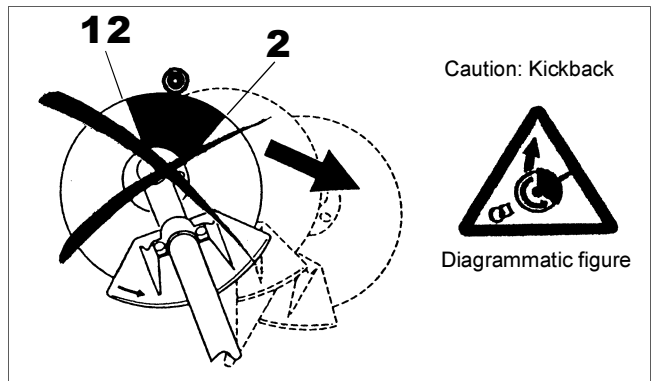
Method of operation

- Use the brush cutter only in good light and visibility. During cold seasons beware of slippery or wet areas, ice and snow (risk of slipping). Always ensure a safe footing.
- Do not overreach. Keep proper footing, balance and hand control of the unit at all times.
- Never cut above waist level.
- Never stand on a ladder while running the brush cutter.
- never climb up into trees to perform any cutting operation with the brush cutter.
- Never work on unstable surfaces or steep terrain.
- Remove all objects such as stones, nails, broken glass, wire, etc. found within the working area. Foreign articles may damage the cutting tool, can cause dangerous kickbacks, or could be thrown about dangerously.
- Before commencing cutting the cutting tool must have reached full working speed.
- Never operate this tool while it is turned upside-down or when it is at an extreme angle.
- !WARNING! — The cutter area is still dangerous while the machine is coasting to a stop.**



Kickback

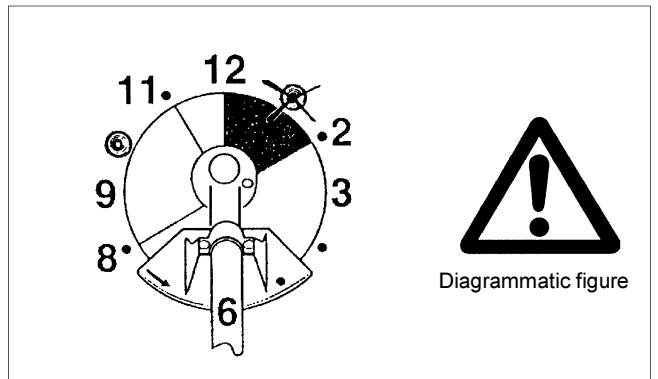
- When operating the brush cutter, uncontrolled kickback can occur.
- This particularly is the case when attempting to cut within a blade segment between 12 and 2 o'clock as viewed from the operator's position.
- Never touch this segment of the brush cutter to solid objects, such as bushes, stumps, trees, etc., with a diameter greater than 3 cm.
- The brush cutter will then be deflected at great force and speed with the potential risk of serious injuries.
- Never operate the brush cutter using the blade segment between the 12 and 2 o'clock position.**



Kickback prevention

To avoid kickbacks, observe the following:

- Operation within the blade segment between 12 and 2 o'clock can cause serious potential hazards, especially when using metal cutting blades. Use of this brush cutter utilizing blade segment positions from 11 to 12 o'clock and 2 to 5 o'clock can still cause a likely potential for some kickback.
- Cutting operations attempted within the blade segments between 11 and 12 o'clock, and between 2 and 5 o'clock, should only be performed by trained and experienced operators, and only at their own risk. Smooth and easy cutting with almost no kickback is possible using the blade segment between 8 and 11 o'clock.



Cutting Tools

Use only the correct cutting tool for the specific job in hand.

Cutter blade (Star Blade (4 teeth), Eddy Blade (8 teeth)):

For cutting thick materials, such as weeds, high grass, bushes, shrubs, underwood, thicket, etc. (max. 2 cm dia. thickness). Perform this cutting work by swinging the brush cutter evenly in half-circles from right to left (similar to using a scythe).

Maintenance instructions

- The condition of the cutter, in particular of the cutter blade, guard and of the shoulder strap must be checked before commencing work. Particular attention is to be paid to the cutting blades which must be correctly sharpened.
- Turn off the engine and remove spark plug connectors when replacing or sharpening cutting blade, and also when cleaning the cutter or cutting tool.



Never straighten or weld damaged cutting blades.

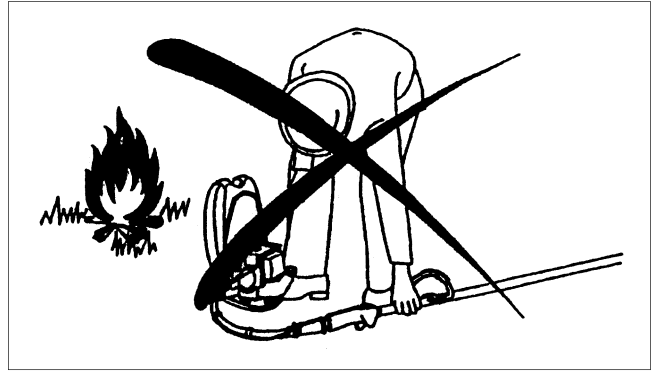
- Be kind to the environment. Operate the brush cutter with as little noise and pollution as possible. In particular check the correct adjustment of the carburetor.
- Clean the brush cutter at regular intervals and check that all screws and nuts are securely tightened.
- Never service or store the brush cutter in the vicinity of open flames, sparks, etc.
- Always store the brush cutter in a well-ventilated locked room and with an emptied fuel tank.

Observe and follow all relevant accident prevention instructions issued by the trade associations and by insurance companies. Do not perform any modifications to the brush cutter as this will risk your safety.

The performance of maintenance or repair work by the user is limited to those activities described in this instruction manual. All other work is to be done by Authorized Service Agents.

Use only genuine spare parts and accessories supplied by MAKITA.

Use of non-approved accessories and tools means increased risk of accidents and injuries. MAKITA will not accept any liability for accidents or damage caused by the use of any non-approved cutting tools attachments or accessories.

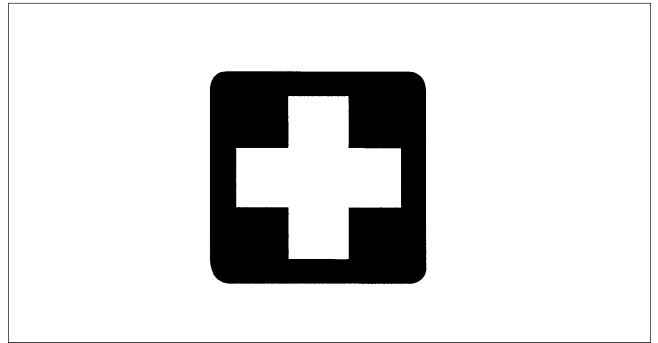


First Aid

In case of accident make sure that a well-stocked first-aid kit is available in the vicinity of the cutting operations. Immediately replace any item taken from the first aid box.

When asking for help, please give the following information:

- Place of accident
- What happened
- Number of injured persons
- Extent of injuries
- Your name



Packaging

The MAKITA brush cutter is delivered in two protective cardboard boxes to prevent shipping damage. Cardboard is a basic raw material and is therefore consequently reusable or suitable for recycling (waste paper recycling).



EC-DECLARATION OF CONFORMITY

Model; EBH341R

We declare under our sole responsibility that this product is in compliance with the following standards of standardized documents, ISO14865, ISO14740, EN55012 in accordance with Council Directives, 89/392/EEC, amended 98/37/EEC, 93/68/EEC, 89/336/EEC, amended 92/31/EEC.

Measured Sound Power: 108.4 dB

Guarantee Sound Power: 113.3 dB

These sound power levels wear measured in accordance with Council Directive, 2000/14/EC.

Conformity assessment procedure: Annex V.

CE2007



Tomoyasu Kato
Director

Responsible Manufacturer:

Makita Corporation.

3-11-8, Sumiyoshi-cho, Anjo, Aichi, JAPAN

Authorized Representative in Europe:

Makita International Europe Ltd.

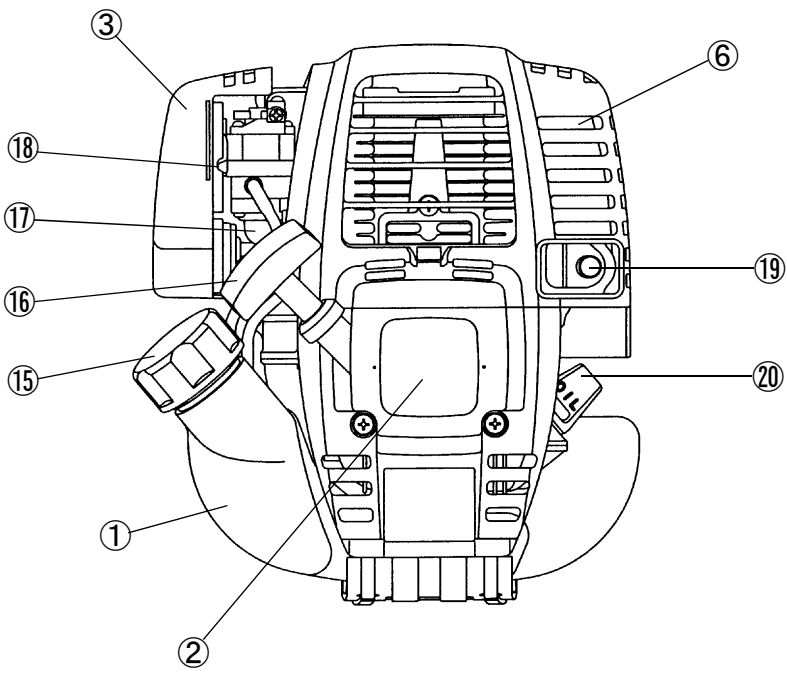
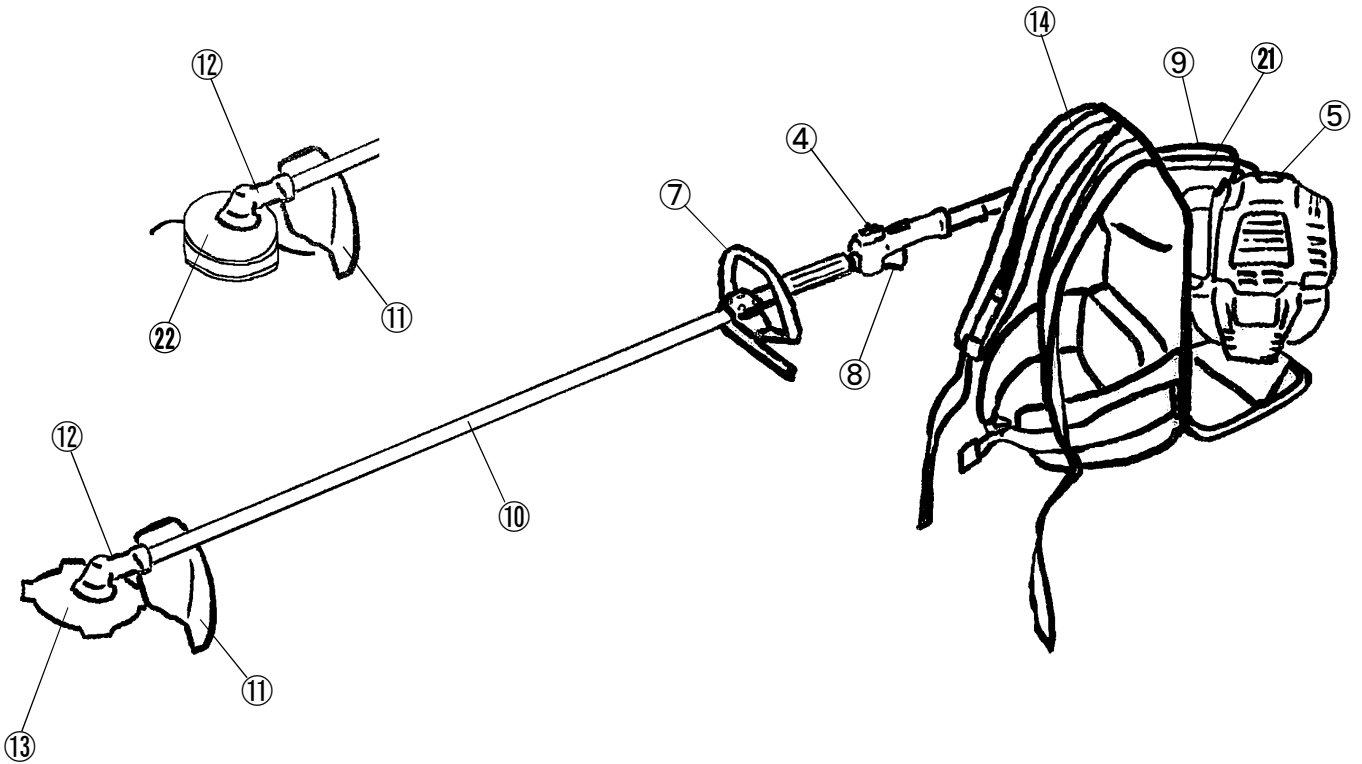
Michigan Drive, Tongwell, Milton kyenes, Bucks MK15 8JD, ENGLAND

TECHNICAL DATA

Model		EBH341R			
		Loop handle			
		Cutter blade	Nylon cutting head		
Dimensions : length x width x height (without pipe case length) mm		430 x 280 x 430			
Mass (without guard and cutting blade)	kg	10.2			
Volume (fuel tank)	L	0.65			
Cutting attachments (cutter blade dia.)	mm	255			
Engine displacement	cm ³	33.5			
Maximum engine performance	kw	1.07 at 7000 min ⁻¹			
Engine speed at recommended max. spindle speed	min ⁻¹	10000			
Maximum spindle speed (corresponding)	min ⁻¹	7500			
Fuel consumption	kg/h	0.458			
Specific fuel consumption	g/kwh	426			
Idling speed	min ⁻¹	3000			
Clutch engagement speed	min ⁻¹	4100			
Carburetor (Diaphragm - carburetor)	type	WALBRO WYL			
Ignition system	type	Solid state ignition			
Spark plug	type	NGK CMR6A			
Electrode gap	mm	0.7 – 0.8			
Vibration per ISO 7916 ¹⁾	Right handle (Rear grip)	Idling	m/s ²	0.6	0.7
		Racing or W.O.T	m/s ²	4.0	5.59
	Left handle (Frontgrip)	Idling	m/s ²	0.85	0.82
		Racing or W.O.T	m/s ²	4.78	8.12
Sound pressure level average to ISO 7917 ¹⁾		dB	89.3	97.1	
Sound power level average to ISO 10884 ¹⁾		dB	104.3	108.4	
Fuel		Automobile gasoline			
Engine oil		SAE 10W-30 oil API Classification, Class SF or higher (4-stroke engine for automobile).			
Gear ratio		15/20			

1) This data takes equally into account idling and full speed or wide open throttle operating modes.

DESIGNATION OF PARTS



GB	DESIGNATION OF PARTS
1	Fuel Tank
2	Rewind Starter
3	Air Cleaner
4	I-O Switch (on/off)
5	Spark Plug
6	Exhaust Muffler
7	Handle
8	Control Lever
9	Control Cable
10	Shaft
11	Protector
12	Gear Case/Head Case
13	Cutter Blade
14	Shoulder Strap
15	Fuel Filler Cap
16	Starter Knob
17	Primmer Pump
18	Choke Lever
19	Exhaust Pipe
20	Oil Gauge
21	Flexible Pipe
22	Nylon Cutting Head

ASSEMBLY OF ENGINE AND DRIVE SHAFT

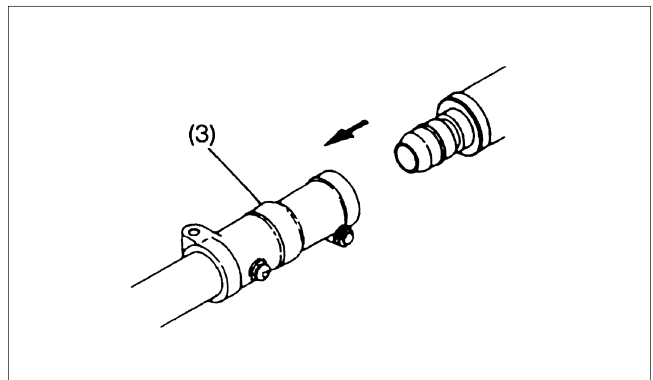
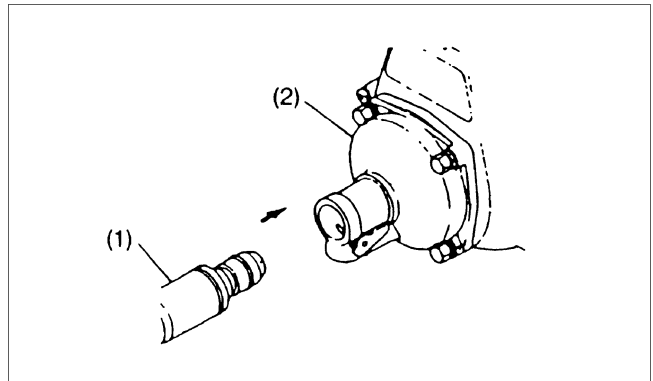


CAUTION : Before performing any work on the brush cutter, always switch off the motor and pull the spark plug connectors off the spark plug. Beware of hot engine parts and sharp blade edges. Always wear protective gloves!

CAUTION : Start the brush cutter only after having assembled it completely.

1. Joining flexible pipe with engine and pipe case holder

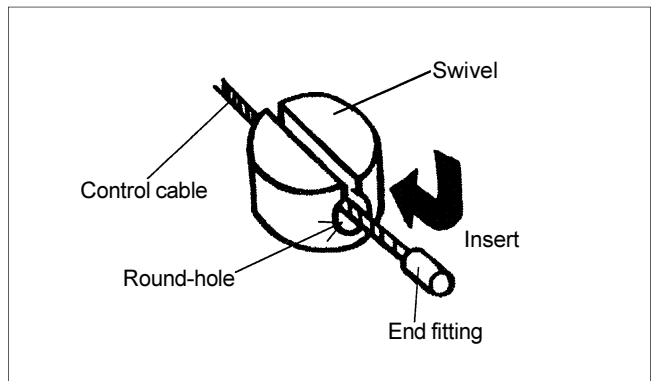
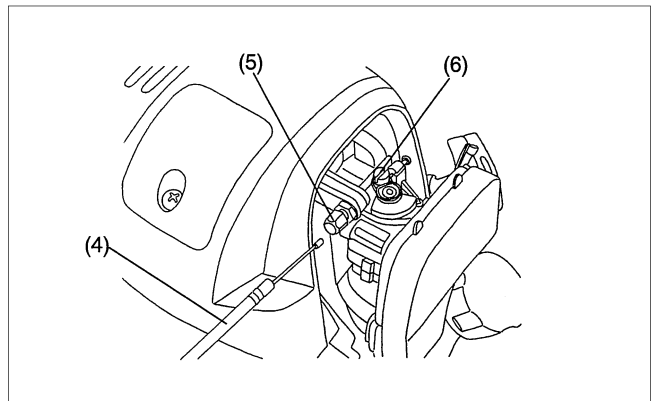
Insert one end of a flexible pipe (1) into a clutch housing (2) on an engine until it locks with a slight “click” noise. Insert the other end of the flexible pipe into a pipe case (3) holder of a brush cutter until it locks. Each end of the flexible pipe is interchangeable. Make sure that a square end of a flexible shaft fits into the joint of a drive shaft.



CAUTION : If you have difficulty to insert the flexible pipe properly, the square end of the flexible shaft may not fit the drive shaft joint. Do not force to push to avoid damage on the flexible shaft end. Repeat the same procedure again until flexible shaft and pipe fit properly.

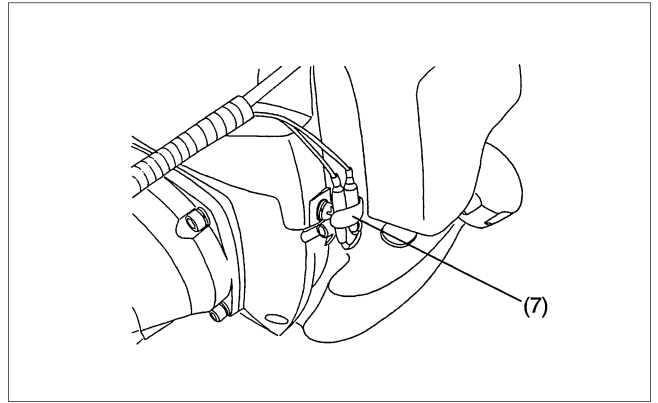
2. Mounting of control cable

- Remove the air cleaner cover.
- Place the control cable (4) in the adjusting bolt (5), and shift the swivel (6) so that the cable will be put in the swivel groove. At this time, the round-hole side of the swivel will be oriented toward the inner wire end-metal fitting.
- Release the swivel, and confirm that the inner wire end-metal fitting will be placed in the hole.
- Mount the air cleaner cover.



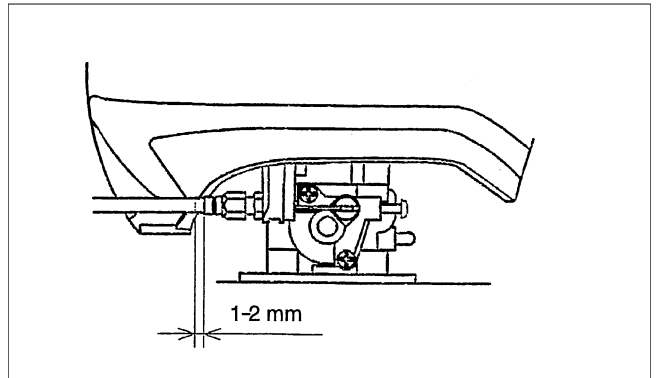
CONNECTION OF SWITCH CORD

- Connect the switch cords to the two cords from the engine by inserting one into the other.
- Fix the cord connector by clamp (7).

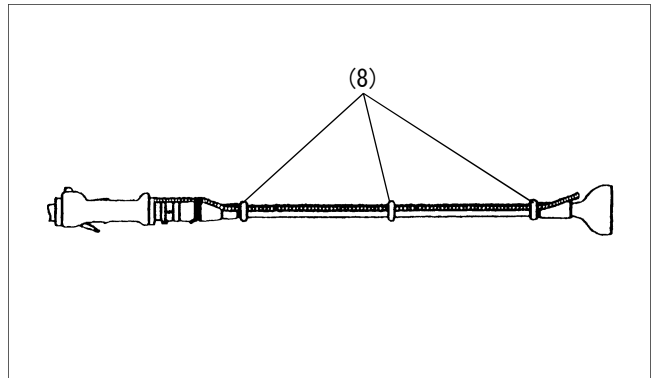


ADJUSTMENT OF CONTROL CABLE

- Adjust the control cable by adjusting bolt so that it will have 1 to 2 mm play when the throttle lever is set to the low-speed position by carburetor adjusting bolt. (Be careful that the cutter blade will not turn in idling.)



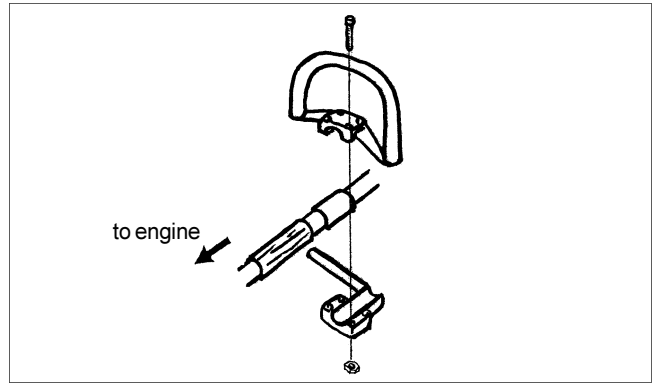
Make the throttle wire and I-O switch cords go along the flexible pipe and fix three point them on clip wire (8) tightly. If you do not fix the throttle wire and I-O switch cords surely, there is fear that they catch on the branch and so on it is dangerous.



MOUNTING OF HANDLE



- Fix a barrier to the left side of the machine together with the handle for operator's protection.
- Do not adjust position of the loop handle too close to the control grip. Keep not less than 25cm distance between the handle and the grip. (a distance collar is provided for this purpose.)



MOUNTING OF PROTECTOR



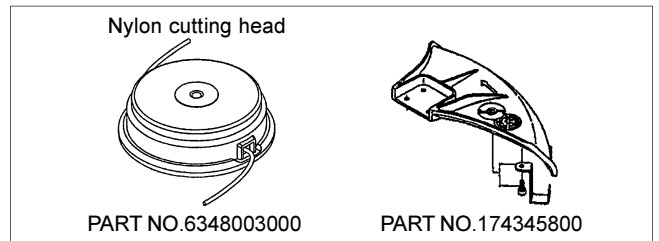
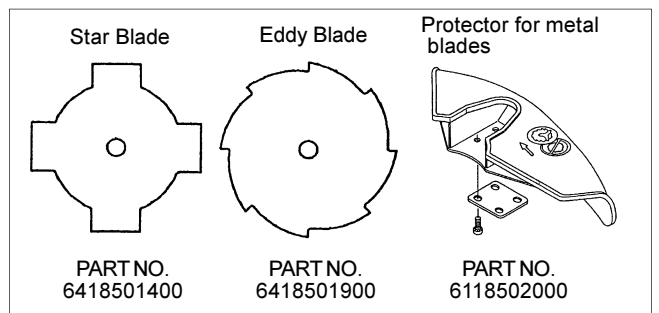
To meet the applicable safety provisions, only the tool/protector combinations as indicated in the table must be used. Failure to do so may result in serious injury or death to user or bystanders.

Be sure to use genuine MAKITA cutter blade or nylon cutting head.

- The cutter blade must be well clean, sharp and free of cracks or breakage. If the cutter blade contacts any hard objects or stones during operation, stop the engine and check the blade immediately.
- Clean and sharpen or replace the cutter blade at least every three hours of operation.
- The outside diameter of the cutter blade must not exceed 255 mm (10-1/32"). Never use any blades surpassing 255 mm (10-1/32") in outside diameter.

CAUTION: The appropriate guard must always be installed, for your own safety and in order to comply with accident-prevention regulations. Operation of the equipment without the protector being properly in place must never be attempted.

- Fix protector to a gear case by 4 bolts firmly
- Never use a brush cutter without a protector or with a broken protector.



MOUNTING OF CUTTER BLADE OR NYLON CUTTING HEAD



Turn the machine upside down, and you can replace the cutter blade or nylon cutting head easily.

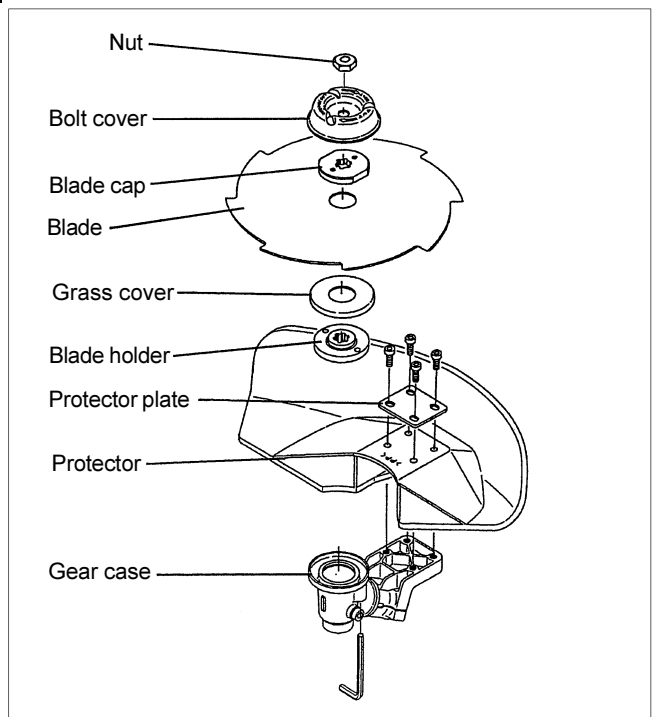
Mounting of cutter blade

- Fit a cutting blade and other parts in the order as in the illustration. Thrust a bar or allen wrench into a hole of the gear case until the cutting blade is locked and will not turn. Tighten a nut by turning to counter-clockwise with a combination wrench. (Note that the nut is tightened or loosened in the opposite direction of a usual nut.)
- The nut must be re-tightened every time before use.
- For this brush cutter, we recommend the cutting attachments on the right.
- Never attempt to cut a tree, a log, wood or other hard materials. [Tightening torque: 28 – 48 N·m]

NOTE: Always wear gloves when handling the cutter blade.

Mounting of nylon cutting head

- The blade cap, bolt cover and nut are not necessary for mounting the nylon cutting head. The nylon cutting head should go on top of the grass cover.
- Insert the allen wrench through the hole in the gear case and rotate the blade holder until it is locked with the allen wrench.
- Then screw the nylon cutting head onto the shaft by turning it counter-clockwise.
- Remove the allen wrench.



BEFORE START OF OPERATION



Inspection and Refill of Engine Oil

- Perform the following procedure, with the engine cooled down.
- While keeping the engine level, remove the oil gauge, and confirm that the oil is filled within the upper and lower limit marks. When the oil is in short in such a way that the oil gauge touches the oil only by its tip, in particular with the oil gauge remaining inserted in the crankcase without screwing-in (Fig. 1), refill new oil near the port (Fig. 2).
- For reference, the oil refill time is about 15 h (refill frequency: 15 times).
- If the oil changes in color or mixes with dirt, replace it with new one. (For the interval and method of replacement, refer to P. 17)

Recommended oil: SAE 10W-30 oil of API Classification, Class SF or higher (4-stroke engine for automobile)

Oil volume: Approx. 0.1 L

Note: If the engine is not kept upright, oil may go into around the engine, and may be refilled excessively. If the oil is filled above the limit, the oil may be contaminated or may catch fire with white.

Point 1 in Replacement of Oil "Oil Gauge"

- Remove dust or dirt near the oil refill port, and detach the oil gauge.
- Keep the detached oil gauge free of sand or dust. Otherwise, any sand or dust adhering to the oil gauge may cause irregular oil circulation or wear on the engine parts, which will result in troubles.
- As an example to keep the oil gauge clean, it is recommended to insert the oil gauge on its knob side into the engine cover, as shown in Fig.3.

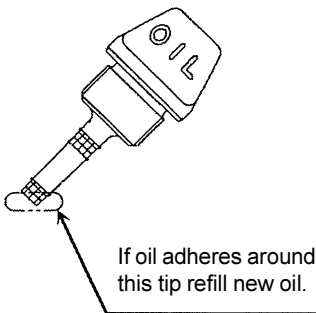


Fig.1

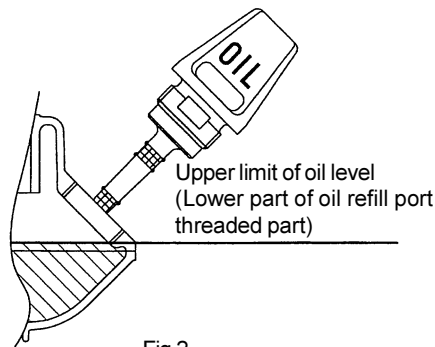


Fig.2

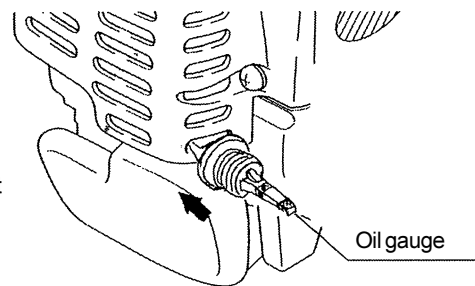
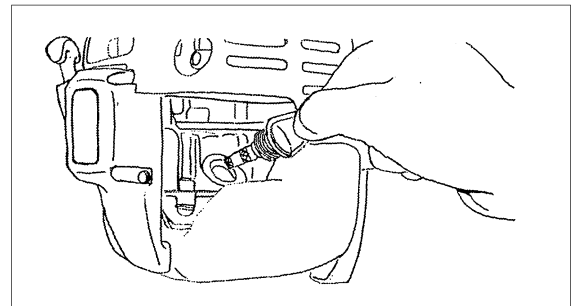
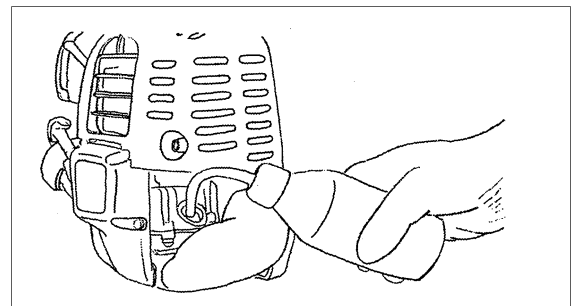


Fig.3

(1) Keep the engine level, and detach the oil gauge.



(2) Fill oil up to the edge of the oil refill port. (Refer to Fig.2 of the preceding page).
Feed oil with the lubricant refill container.



(3) Securely tighten the oil gauge. Insufficient tightening may cause oil leakage.

Point 2 in Replacement of Oil: "If oil spills out"

- If oil spills out between the fuel tank and engine main unit, the oil is sucked into through the cooling air intake port, which will contaminate the engine. Be sure to wipe out spilt oil before start of operation.

REFUELING

Handling of Fuel

It is necessary to handle fuel with utmost care. Fuel may contain substances similar to solvents. Refueling must be performed in a sufficiently ventilated room or in the open air. Never inhale fuel vapor, and keep fuel away from you. If you touch fuel repeatedly or for a long time, the skin becomes dry, which may cause skin disease or allergy. If fuel enters into the eye, clean the eye with fresh water. If your eye remains still irritated, consult your doctor.

Storage Period of Fuel

Fuel should be used up within a period of 4 weeks, even if it is kept in a special container in a well-ventilated shade.

If a special container is not used or if the container is not covered, fuel may deteriorate in one day.

STORAGE OF MACHINE AND REFILL TANK

- Keep the machine and tank at a cool place free from direct sunshine.
- Never keep the fuel in the cabin or trunk.

Fuel

The engine is a four-stroke engine. Be sure to use an automobile gasoline (regular gasoline or premium gasoline).

Points for Fuel

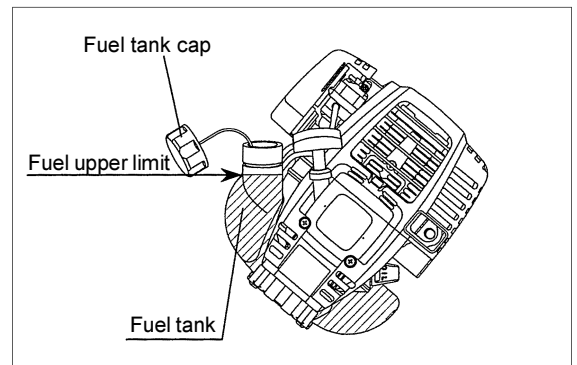
- Never use a gasoline mixture which contains engine oil. Otherwise, it will cause excessive carbon accumulation or mechanical troubles.
- Use of deteriorated oil will cause irregular startup.

Refueling

WARNING: INFLAMMABLES STRICTLY PROHIBITED

Gasoline Used: Automobile gasoline (unleaded gasoline)

- Loosen the tank cap a little so that there will be no difference in atmospheric pressure.
 - Detach the tank cap, and refuel, discharging air by tilting the fuel tank so that the refuel port will be oriented upward. (Never refill fuel full to the oil refill port.)
 - Wipe well the periphery of the tank cap to prevent foreign matter from entering into the fuel tank.
 - After refueling, securely tighten the tank cap.
-
- If there is any flaw or damage on the tank cap, replace it.
 - The tank cap is consumable, and therefore should be renewed every two to three years.



POINTS IN OPERATION AND HOW TO STOP

Observe all applicable accident prevention regulations!

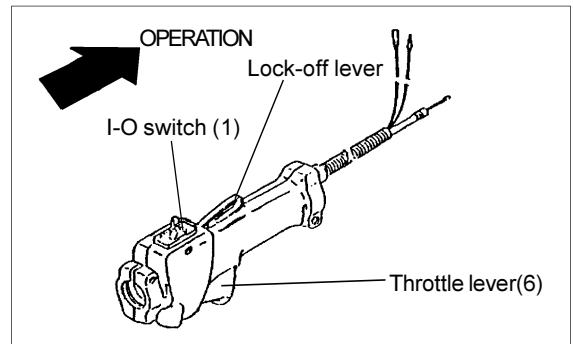


STARTING

Move at least 3m away from the place of refuelling. Place the brush cutter on a clean piece of ground taking care that the cutting tool does not come into contact with the ground or any other objects.

A: Cold start

1) Set this machine on a flat space.



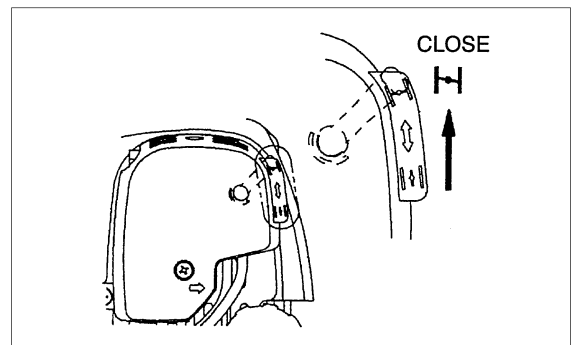
2) Set the I-O switch (1) to OPERATION.

3) Choke lever

Close the choke lever.

Choke opening:

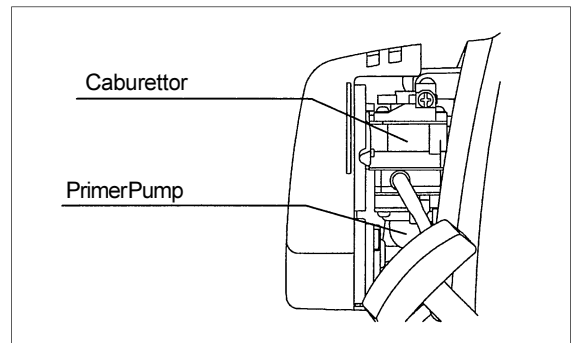
- Full closing in cold or when the engine is cold.
- Full or half opening in restart just after stop of operation.



4) Primer pump

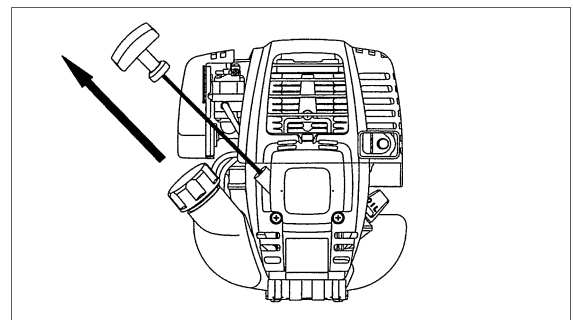
Continue to push the primer pump until fuel enters into the primer pump. (In general, fuel enters into the primer pump by 7 to 10 pushes.)

If the primer pump is pushed excessively, an excess of gasoline returns to the fuel tank.



5) Recoil starter

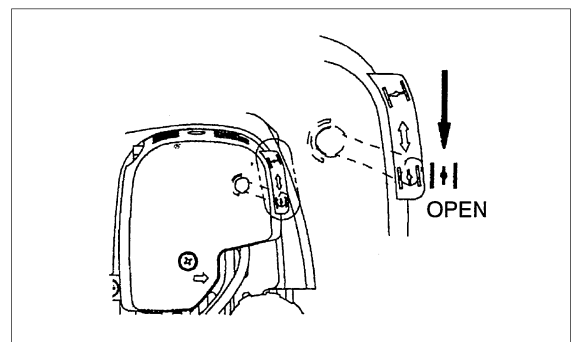
- Pull the start knob gently until it is hard to pull (compression point). Then, return the start knob, and pull it strongly.
- Never pull the rope to the full. Once the start knob is pulled, never release your hand immediately. Hold the start knob until it returns to its original point.



6) Choke lever

When the engine starts, open the choke lever.

- Open the choke lever progressively while checking the engine operation. Be sure to open the choke lever to the full in the end.
- In cold or when the engine is cooled down, never open the choke lever suddenly. Otherwise, the engine may stop.



7) Warm-up operation

Continue warm-up operation for 2 to 3 minutes.

- Note: – If the starter handle is pulled repeatedly when the choke lever remains at "CLOSE" position, the engine will not start easily due to excessive fuel intake.
- In case of excessive fuel intake, remove the spark plug and pull the starter handle slowly to remove excess fuel. Also, dry the electrode section of the spark plug.

Caution during operation:

If the throttle lever is opened fully in a no-load operation, the engine rotation is increased to 10,000rpm or more. Never operate the engine at a higher speed than required and at an approximate speed of 6,000 - 8,500rpm.

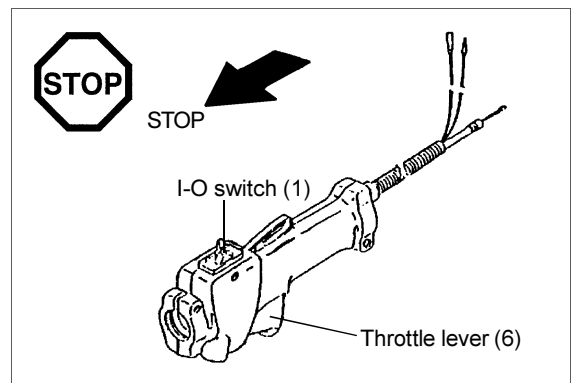
B: Startup after warm-up operation

- 1) Push the primer pump repeatedly.
- 2) Keep the throttle lever at the idling position.
- 3) Pull the recoil starter strongly.
- 4) If it is difficult to start the engine, open the throttle by about 1/3.
Pay attention to the cutter blade which may rotate.

Attention in Operation
When the engine is operated upside down, white smoke may come out from the muffler.

STOPPING

- 1) Release the throttle lever (6) fully, and when the engine rpm has lowered, set the I-O switch to STOP the engine will now stop.
- 2) Be aware that the cutting head may not stop immediately and allow it to slow down fully.

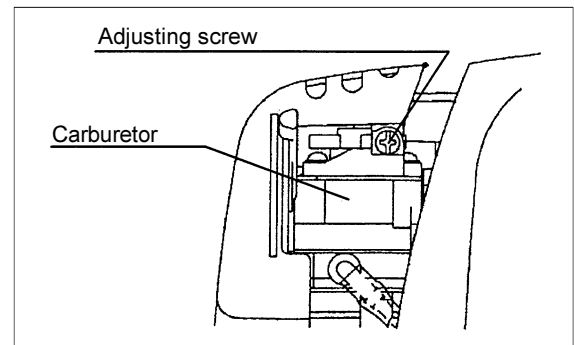


ADJUSTMENT OF LOW-SPEED ROTATION (IDLING)

When it is necessary to adjust the low-speed rotation (idling), perform it by the carburetor adjusting screw.

CHECKUP OF LOW-SPEED ROTATION

- Set the low-speed rotation to 3000min⁻¹.
If it is necessary to change the rotation speed, regulate the adjusting screw (illustrated on the left), with Phillips screwdriver.
- Turn the adjusting screw to the right, and the engine rotation will increase. Turn the adjusting screw to the left, and the engine rotation will drop.
- The carburetor is generally adjusted before shipment. If it is necessary to readjust it, please contact Authorized Service Agent.

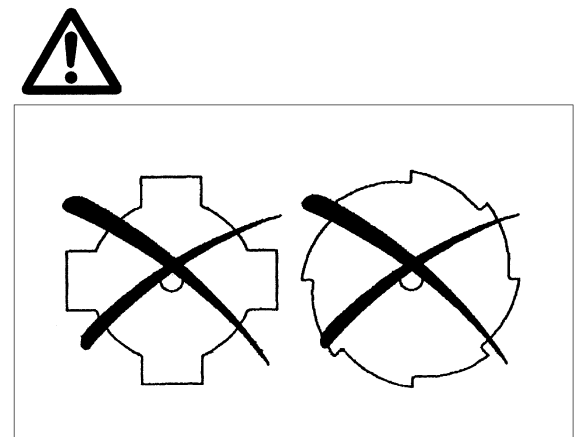


RESHARPENING THE CUTTER BLADE

CAUTION: The cutter blade mentioned below must only be resharpened by an authorized facility. Manual resharpening will result in imbalances of the cutting tool causing potentially dangerous vibrations and damage to the equipment.

- Cutter blade (Star blade (4 teeth), Eddy blade (8 teeth))
An expert resharpening and balancing service is provided by Authorized Service Agents.

NOTE: To increase the service life of the cutter blade (star blade, eddy blade) it may be turned over once, until both cutting edges have become dull. Never continue to use a dull blade or kickback and serious injury may result.



SERVICING INSTRUCTIONS



CAUTION: Before doing any work on the brush cutter, always stop the engine and pull the plug cap off the spark plug (see "checking the spark plug"). Always wear protective gloves!

To ensure a long service life and to avoid any damage to the equipment, the following servicing operations should be performed at regular intervals.

Daily checkup and maintenance

- Before operation, check the machine for loose screws or missing parts. Pay particular attention to the tightness of the cutter blade or nylon cutting head.
- Before operation, always check for clogging of the cooling air passage and the cylinder fins. Clean them if necessary.
- Perform the following work daily after use:
 - Clean the brush cutter externally and inspect for damage.
 - Clean the air filter. When working under extremely dusty conditions, clean the filter the several times a day.
 - Check the blade or the nylon cutting head for damage and make sure it is firmly mounted.
 - Check that there is sufficient difference between idling and engagement speed to ensure that the cutting tool is at a standstill while the engine is idling (if necessary reduce idling speed).
If under idling conditions the tool should still continue to run, consult your nearest Authorized Service Agent.
- Check the functioning of the I-O switch, the lock-off lever, the control lever, and the look button.

REPLACEMENT OF ENGINE OIL

Deteriorated engine oil will shorten the life of the sliding and rotating parts to a great extent. Be sure to check the period and quantity of replacement.



ATTENTION: In general, the engine main unit and engine oil still remain hot just after the engine is stopped. In replacement of oil, confirm that the engine main unit and engine oil are sufficiently cooled down. Otherwise, there may remain a risk of scald.

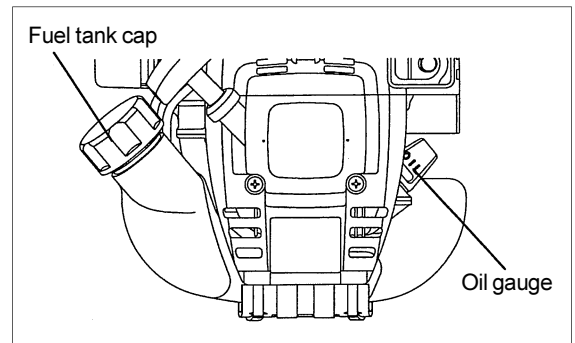
Note: If the oil filled above the limit, it may be contaminated or may catch fire with white smoke.

Interval of replacement: Initially, every 20 operating hours, and subsequently every 50 operating hours

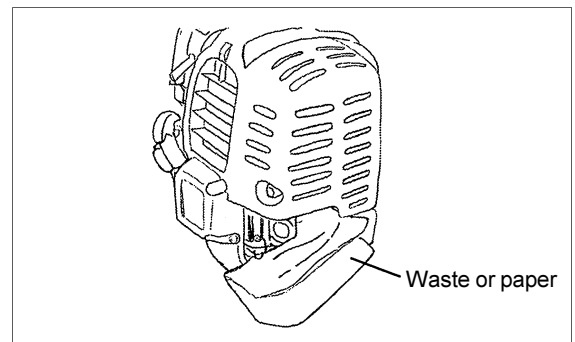
Recommended oil: SAE10W-30 oil of API Classification SF Class or higher (4-stroke engine oil for automobile)

In replacement, perform the following procedure.

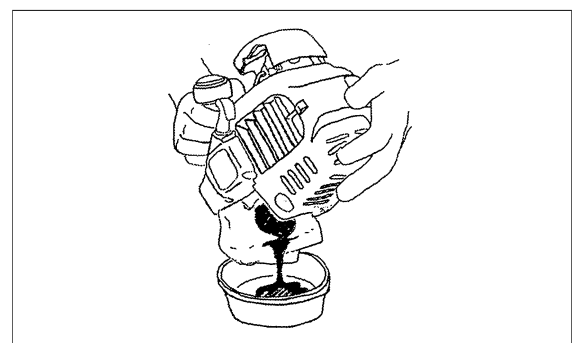
- 1) Confirm that the tank cap is tightened securely.
- 2) Detach the oil gauge.
Keep the oil gauge free from dust or dirt.



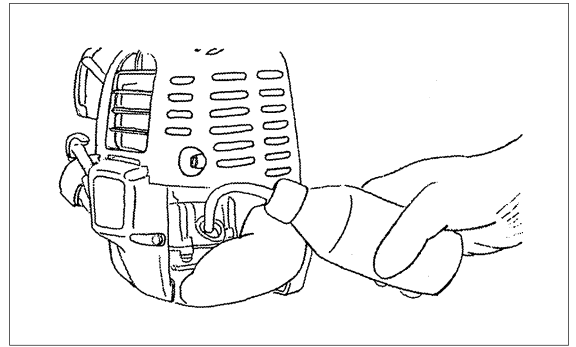
- 3) Place waste or paper near the oil refill port.



- 4) Detach the oil gauge, and drain oil, tilting the main unit toward the oil refill port.
Drain oil in a container.



- 5) Keep the engine level, and feed new oil up to the edge of the oil refill port. In refill, use a lubricant refill container.
- 6) After refill, securely tighten the oil gauge. Insufficient tightening of the oil gauge will lead to oil leakage.



POINTS ON OIL

- Never discard replaced engine oil in garbage, earth or sewage ditch. Disposal of oil is regulated by law. In disposal, always follow the relevant laws and regulations. For any points remaining unknown, contact Authorized Service Agent.
- Oil will deteriorate even when it is kept unused. Perform inspection and replacement at regular intervals (replace with new oil every 6 months).

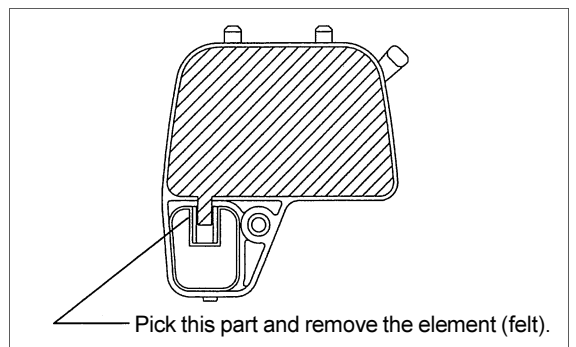
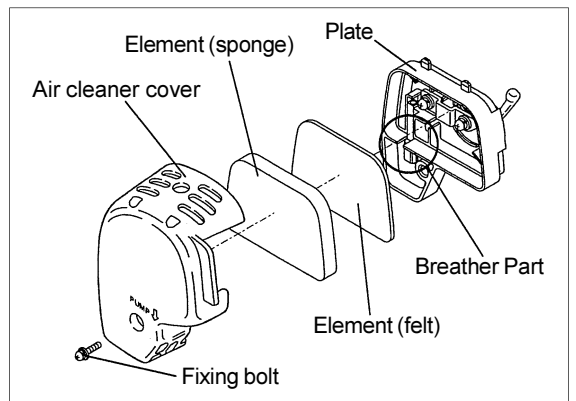
CLEANING OF AIR CLEANER



DANGER: INFLAMMABLES STRICTLY PROHIBITED

Interval of Cleaning and Inspection: Daily (every 10 operating hours)

- Turn the choke lever to the full close side, and keep the carburetor off from dust or dirt.
- Remove the air cleaner cover-fixing bolts.
- Pull the cover lower side and detach the air cleaner cover.
- If oil adheres to the element (sponge), squeeze it firmly.
- For heavy contamination:
 - 1) Remove the element (sponge), immerse it in warm water or in water-diluted neutral detergent, and dry it completely.
 - 2) Clean the element (felt) with gasoline, and dry it completely.
- Before attaching the element, be sure to dry it completely. Insufficient drying of the element may lead to difficult startup.
- Wipe out with waste cloth, oil adhering around the air cleaner cover and plate breather.
- Immediately after cleaning is finished, attach the cleaner cover and tighten it with fixing bolts. (In remounting, first place the upper claw, and then the lower claw.)



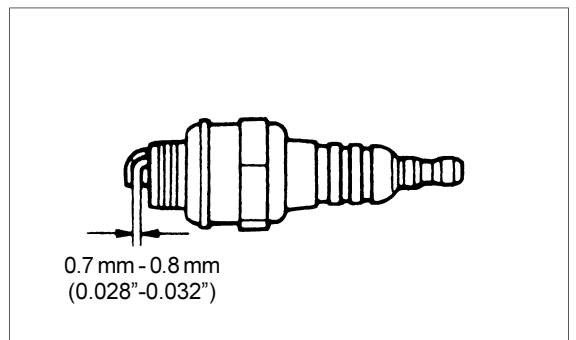
Points in Handling Air Cleaner Element

- Clean the element several times a day, if excessive dust adheres to it.
- If operation continues with the element remaining not cleared of oil, oil in the air cleaner may fall outside, resulting in oil contamination.

CHECKING THE SPARK PLUG

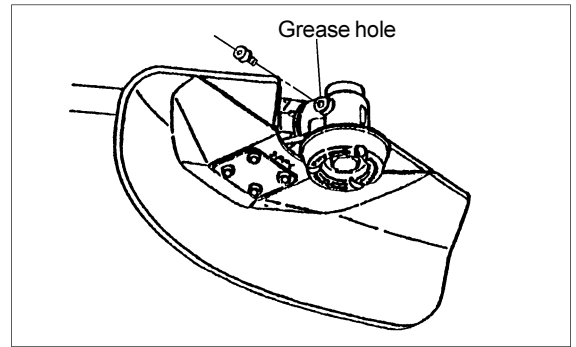
- Only use the supplied universal wrench to remove or to install the spark plug.
- The gap between the two electrodes of the spark plug should be 0.7-0.8mm (0.028"-0.032"). If the gap is too wide or too narrow, adjust it. If the spark plug is clogged with carbon or fouled, clean it thoroughly or replace it.

CAUTION: Never touch the spark plug connector while the engine is running (danger of high voltage electric shock).



SUPPLY OF GREASE TO GEAR CASE

- Supply grease (Shell Alvania 2 or equivalent) to the gear case through the grease hole every 30 hours. (Genuine MAKITA grease may be purchased from your MAKITA dealer.)



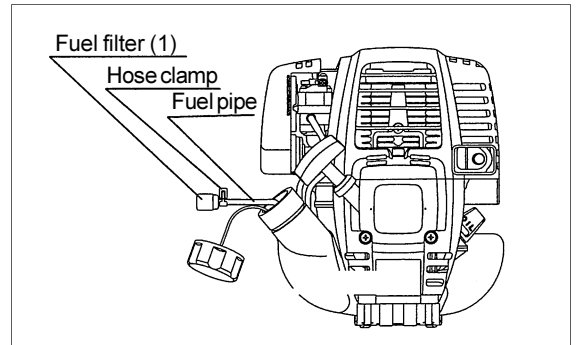
CLEANING OF FUEL FILTER

WARNING: INFLAMMABLES STRICTLY PROHIBITED

Interval of Cleaning and Inspection: Monthly (every 50 operating hours)

Suction head in the fuel tank

- The fuel filler (1) of the suction head is used to fill the fuel required by the carburetor.
- A periodical visual inspection of the fuel filter is to be conducted. For that purpose open the tank cap, use a wire hook and pull out the suction head through the tank opening. Filters found to have hardened, been polluted or clogged up are to be replaced.
- Insufficient fuel supply can result in the admissible maximum speed being exceeded. It is therefore important to replace the fuel filter at least quarterly to ensure satisfactory fuel supply to the carburetor.



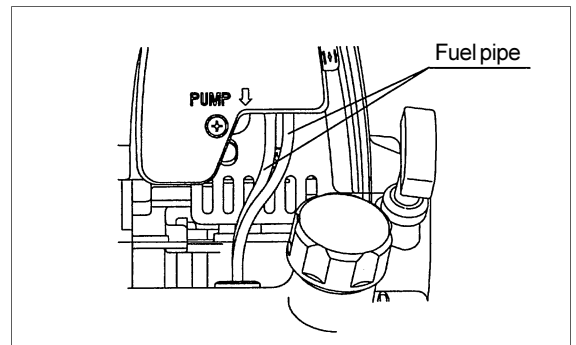
REPLACEMENT OF FUEL PIPE

CAUTION: INFLAMMABLES STRICTLY PROHIBITED

Interval of Cleaning and Inspection: Daily (every 10 operating hours)

Replacement: Annually (every 200 operating hours)

- Replace the fuel pipe every year, regardless of operating frequency. Fuel leakage may lead to fire.
If any leakage is detected during inspection, replace the oil pipe immediately.



INSPECTION OF BOLTS, NUTS AND SCREWS

- Retighten loose bolts, nuts, etc.
- Check for fuel and oil leakage.
- Replace damaged parts with new ones for safety operation.

CLEANING OF PARTS

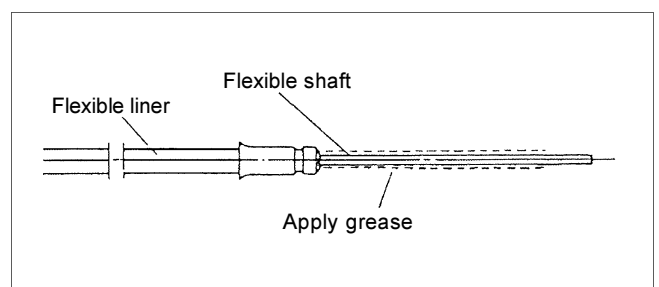
- Keep the engine always clean.
- Keep the cylinder fins free of dust or dirt. Dust or dirt adhering to the fins will cause seizure.

REPLACEMENT OF GASKETS AND PACKINGS

In reassembling after the engine is dismantled, be sure to replace the gaskets and packings with new ones.

SUPPLY OF GREASE TO THE FLEXIBLE SHAFT

- Pull out the flexible shaft from the flexible lining for every 20 hours, and apply grease on the flexible shaft.
- The flexible shaft may be broken if no grease is applied.



Any maintenance of adjustment work that is not been included and described in this manual is only to be performed by Authorized Service Agents.

STORAGE



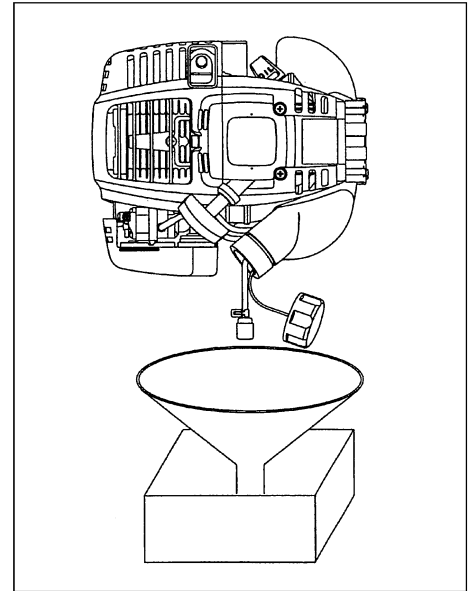
WARNING: When draining the fuel, be sure to stop the engine and confirm that the engine cools down.

Just after stopping the engine, it may still hot with possibility of burns, inflammability and fire.



ATTENTION: When the machine is kept out of operation for a long time, drain up all fuel from the fuel tank and carburetor, and keep it at a dry and clean place.

- Drain up fuel from the fuel tank and carburetor according to the following procedure:
 - 1) Remove the fuel tank cap, and drain fuel completely.
If there is any foreign matter remaining in the fuel tank, remove it completely.
 - 2) Pull out the fuel filter from the refill port using a wire.
 - 3) Push the primer pump until fuel is drained from there, and drain fuel coming into the fuel tank.
 - 4) Reset the filter to the fuel tank, and securely tighten the fuel tank cap.
 - 5) Then, continue to operate the engine until it stops.
- Remove the spark plug, and drip several drops of engine oil through the spark plug hole.
- Gently pull the starter handle so that engine oil will spread over the engine, and attach the spark plug.
- Attach the cover to the cutter blade.
- During storage, keep the rod horizontal or keep the machine upright with the blade edge oriented upward. (In this case, pay full attention to prevent the machine from falling.)
Never store the machine with the cutter blade edge oriented downward. Lubricating oil may spill out.
- Keep the drained fuel in a special container in a well-ventilated shade.



Attention after long-time storage

- Before startup after long-time shutdown, be sure to replace oil (refer to P 17). Oil will deteriorate while the machine is kept out of operation.

Fault location

Fault	System	Observation	Cause
Engine not starting or with difficulty	Ignition system	Ignition spark O.K.	Fault in fuel supply or compression system, mechanical defect
		No ignition spark	STOP-switch operated, wiring fault or short circuit, spark plug or connector defective, ignition module faulty
	Fuel supply	Fuel tank filled	Incorrect choke position, carburetor defective, fuel supply line bent or blocked, fuel dirty.
	Compression	No compression when pulled over	Cylinder bottom gasket defective, crankshaft seals damaged, cylinder or piston rings defective or improper sealing of spark plug
Warm start problems	Mechanical fault	Starter not engaging	Broken starter spring, broken parts inside of the engine
		Tank filled ignition spark existing	Carburetor contaminated, have it cleaned
Engine starts but dies	Fuel supply	Tank filled	Incorrect idling adjustment, carburetor contaminated Fuel tank vent defective, fuel supply line interrupted, cable or STOP-switch faulty
Insufficient performance	Several systems may simultaneously be affected	Engine idling poor	Air filter contaminated, carburetor contaminated, muffler clogged, exhaust duct in the cylinder clogged

Item	Operating time								
		Before operation	After lubrication	Daily (10h)	30h	50h	200h	Shutdown /rest	Corres-ponding P
Engine oil	Inspect/clean	○							13
	Replace					○ ^{*1}			17
Tightening parts (bolt, nut)	Inspect	○							19
Fuel tank	Clean/inspect	○							—
	Drain fuel							○ ^{*3}	20
Throttle lever	Check function		○						15
Stop switch	Check function		○						15
Cutting blade	Inspect	○		○					12
Low-speed rotation	Inspect/adjust			○					16
Air cleaner	Clean			○					18
Ignition plug	Inspect			○					18
Cooling air duct	Clean/inspect			○					19
Fuel pipe	Inspect			○					19
	Replace						◎ ^{*2}		—
Gear-case grease	Refill				○				19
Fuel filter	Clean/replace					○			19
Oil tube	Inspect						◎ ^{*2}		
Clearance between air intake valve and air discharge valve	Adjust						◎ ^{*2}		—
Engine overhaul							◎ ^{*2}		—
Carburetor	Drain fuel							○ ^{*3}	20

*1 Perform initial replacement after 20h operation.

*2 For the 200 operating hour inspection, request Authorized Service Agent or a machine shop.

*3 After emptying the fuel tank, continue to run the engine and drain fuel in the carburetor.

TROUBLESHOOTING

Before making a request for repairs, check a trouble for yourself. If any abnormality is found, control your machine according to the description of this manual. Never tamper or dismount any part contrary to the description. For repairs, contact Authorized Service Agent or local dealership.

State of abnormality	Probable cause (malfunction)	Remedy
Engine does not start	Failure to operate primer pump	Push 7 to 10 times.
	Low pulling speed of starter rope	Pull strongly.
	Lack of fuel	Feed fuel.
	Clogged fuel filter	Clean
	Broken fuel tube	Straighten fuel tube
	Deteriorated fuel	Deteriorated fuel makes starting more difficult. Replace with new one. (Recommended replacement: 1 month)
	Excessive suction of fuel	Set throttle lever from medium speed to high speed, and pull starter handle until engine starts. Once engine starts, cutter blade starts rotating. Pay full attention to cutter blade. If engine will not start still, remove spark plug, make electrode dry, and reassemble them as they originally are. Then, start as specified.
	Detached plug cap	Attach securely
	Contaminated spark plug	Clean
	Abnormal clearance of spark plug	Adjust clearance
	Other abnormality of spark plug	Replace
	Abnormal carburetor	Make request for inspection and maintenance.
	Starter rope cannot be pulled	Make request for inspection and maintenance
	Abnormal drive system	Make request for inspection and maintenance
Engine stops soon Engine speed does not increase	Insufficient warm-up	Perform warm-up operation
	Choke lever is set to "CLOSE" although engine is warmed up	Set to "OPEN"
	Clogged fuel filter	Clean
	Contaminated or clogged air cleaner	Clean
	Abnormal carburetor	Make request for inspection and maintenance
	Abnormal drive system	Make request for inspection and maintenance
Cutter blade does not rotate ↓ Stop engine immediately	Loosened cutter blade-tightening nut	Tighten securely
	Twigs caught by cutter blade or dispersion-preventing cover	Remove foreign matter
	Abnormal drive system	Make request for inspection and maintenance.
Main unit vibrates abnormally. ↓ Stop engine immediately	Broken, bent or worn cutter blade	Replace cutter blade
	Loosened cutter blade-tightening nut	Tighten securely
	Shifted convex part of cutter blade and cutter blade support fitting	Attach securely
	Abnormal drive system	Make request for inspection and maintenance
Cutter blade does not stop immediately. ↓ Stop engine immediately	High idling rotation	Adjust
	Detached throttle wire	Attach securely
	Abnormal drive system	Make request for inspection and maintenance
Engine does not stop. ↓ Run engine at idling, and set choke lever to CLOSE.	Detached connector	Attach securely
	Abnormal electric system	Make request for inspection and maintenance.

When the engine does not start after warm-up operation:

If there is no abnormality found for the check items, open the throttle by about 1/3 and start the engine.

Nous vous remercions d'avoir porté votre choix sur une débroussailleuse MAKITA. Cette débroussailleuse MAKITA est le fruit d'un long programme de développement et de nombreuses années d'expérience et d'accumulation de connaissances.

Lire attentivement ce manuel et suivre les instructions données. Il décrit en détail les divers points démontrant les exceptionnelles performances de la débroussailleuse. Ceci vous permettra d'obtenir les meilleurs résultats de cette débroussailleuse MAKITA.



Table of Contents	Page
Symboles	23
Consignes de sécurité	24-27
Données techniques	29
Désignation des pièces	30
Montage moteur et arbre d'entraînement	31-32
Montage de la poignée	33
Montage du protecteur	33
Montage du couteau	33
Avant mise en marche	34-35
Consignes de mise en marche et arrêt de la machine	36-37
Aiguisage du couteau	37
Instructions relatives aux réparations	38-40
Remisage	41-42
Guide de dépannage	43

SYMBOLES

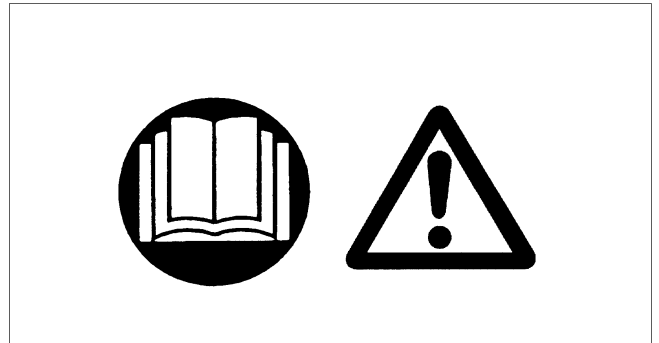
La signification des symboles suivants est très importante pour la compréhension des instructions de ce manuel.

	Lire attentivement ce manuel et suivre les instructions données		Porter un casque de protection, des protections visuelles et auditives
	Avertissement/Danger/Précaution		Vitesse maximale carburant et d'huile
	Interdit		Carburant (Essence)
	Distance de sécurité		Démarrage manuel du moteur
	Danger de projection d'objets		Arrêt d'urgence
	Défense de fumer		Premiers secours
	Flammes vives interdites		Recyclage
	Porter des gants protecteurs		SOUSTENSION/MARCHE
	Réaction arrière (pour la débroussailleuse uniquement)		HORSTENSION/ARRÊT
	Personnes et animaux interdits dans la zone d'utilisation		Logo de la CE

CONSIGNES DE SÉCURITÉ

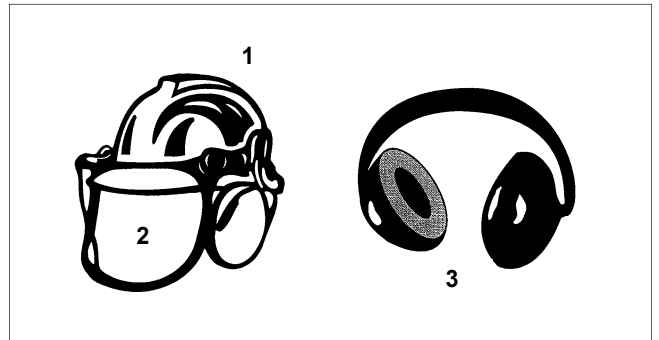
Consignes générales

- Lire attentivement ce manuel et suivre les instructions données afin de se familiariser avec le maniement de la débroussailleuse. Ceci permettra d'utiliser correctement l'outil et de travailler en sécurité. Un mauvais maniement de la débroussailleuse par un utilisateur insuffisamment informé est dangereux pour celui-ci et les personnes autour.
- Il est recommandé de ne pas prêter cette machine à des personnes qui n'ont pas une expérience suffisante des débroussailleuses. Toujours prêter le manuel d'instructions avec la débroussailleuse.
- Utiliser la débroussailleuse uniquement si toutes ses protections sont en place.
- Le premier utilisateur doit demander au revendeur de lui expliquer le maniement de base d'une débroussailleuse à moteur.
- Les enfants et jeunes de moins de 18 ans ne doivent pas être autorisés à utiliser la débroussailleuse. A partir de 16 ans, on peut toutefois commencer à apprendre à l'utiliser, mais uniquement sous la surveillance directe d'un instructeur qualifié.
- Utiliser la débroussailleuse avec les plus grandes précautions et la plus grande attention.
- Ne pas utiliser la débroussailleuse si l'on n'est pas en parfaite condition physique. Travailler consciencieusement et prudemment. L'utilisateur doit être conscient de sa responsabilité envers les autres.
- Ne jamais utiliser la débroussailleuse après avoir consommé de l'alcool ou pris des médicaments.
- Ne pas utiliser la débroussailleuse lorsqu'on est fatigué.
- Conserver ce manuel pour pouvoir le consulter ultérieurement.



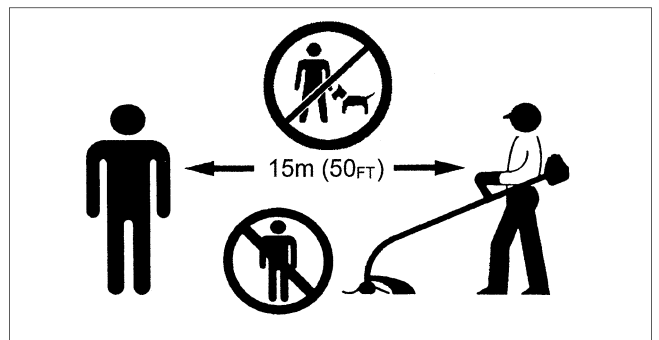
Équipement de protection personnelle

- Les vêtements doivent être fonctionnels et adaptés. Ils doivent être bien ajustés sans, toutefois, gêner les mouvements. Ne pas porter de bijoux ou de vêtements qui pourraient se prendre dans les broussailles ou les buissons. Si l'on a les cheveux longs, les attacher.
- Afin de ne pas risquer des blessures à la tête, aux yeux, aux mains et aux pieds ou des problèmes auditifs, porter l'équipement et les vêtements protecteurs suivants lorsqu'on utilise la débroussailleuse.
- Toujours porter un casque lorsqu'on travaille en forêt. Vérifier régulièrement si le casque (1) n'est pas endommagé et le remplacer au moins tous les 5 ans. N'utiliser qu'un casque protecteur agréé.
- La visière (2) du casque ou des lunettes protectrices agréées protègent les yeux et le visage contre les projections de brindilles, pierres et autres objets. Lorsqu'on travaille avec la débroussailleuse, toujours se protéger les yeux avec des lunettes protectrices ou la visière du casque.
- Pour éviter des problèmes auditifs, porter un équipement adéquat de protection contre le bruit (protège-oreilles (3), protège-tympons, etc.), surtout en cas d'utilisation prolongée de la débroussailleuse.
- Les combinaisons de travail (4) protègent le corps contre les projections de pierres et les éclats de bois. Nous recommandons vivement à l'utilisateur de porter une combinaison de travail.
- Des gants spéciaux (5) en cuir épais font partie de l'équipement prescrit et doivent toujours être portés pendant l'utilisation de la débroussailleuse.
- Lors de l'utilisation de la débroussailleuse, toujours porter des chaussures robustes (6) à semelle antidérapante. Ceci protège contre les blessures et assure une bonne prise des pieds.



Mise en marche de la débroussailleuse

- S'assurer qu'il n'y a pas d'enfants ni d'autres personnes dans un rayon de 50 pieds ou 15 mètres, et veiller également à ce qu'il n'y ait pas d'animaux à proximité.
- Avant l'utilisation, toujours vérifier les points suivants afin d'assurer la sécurité :
S'assurer que le couteau est bien fixé. Vérifier que l'écrou de montage du couteau est serré à fond. S'assurer que la manette des gaz est facile à manoeuvrer et que son mouvement est régulier. S'assurer que le verrou de la manette des gaz fonctionne correctement. Le couteau ne doit pas tourner lorsque le moteur fonctionne au ralenti. Se reporter aux instructions de réglage du ralenti à la page 37.
S'assurer que les poignées sont propres et sèches et vérifier le fonctionnement de d'arrêt. Veiller à ce que de l'huile ou du carburant ne vienne pas sur les poignées.
- Avant le travail, vérifier la réglementation locale relative au niveau sonore et aux heures d'utilisation et la respecter.
- Ne mettre la débroussailleuse en marche que lorsqu'elle est posée sur le sol.
- Ne pas la mettre en marche lorsqu'elle est retournée sur le dos.



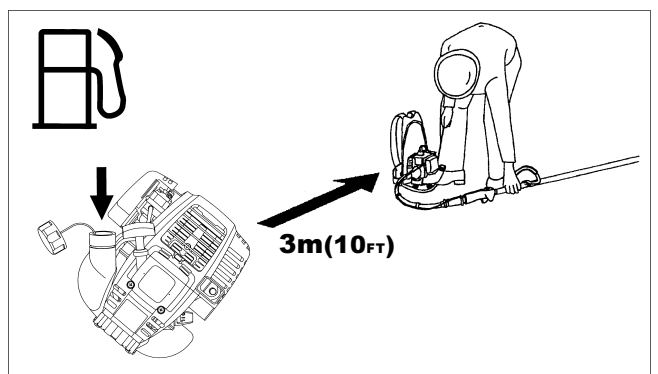
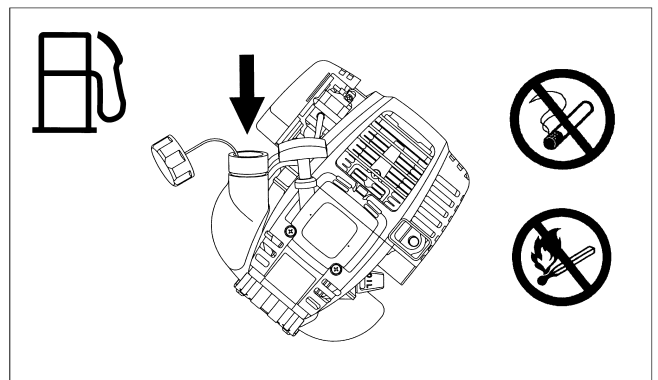
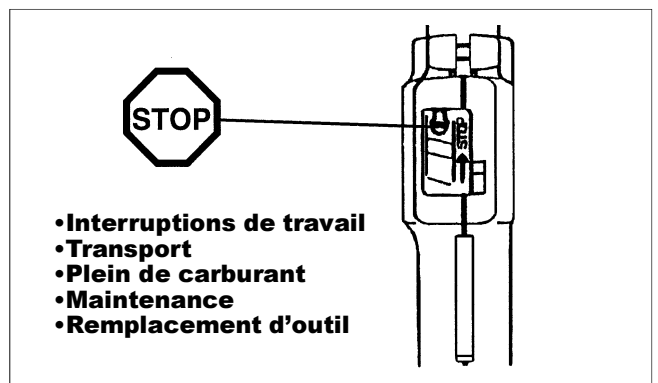
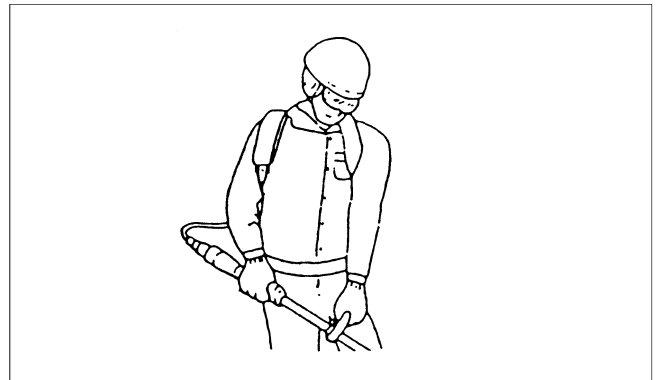
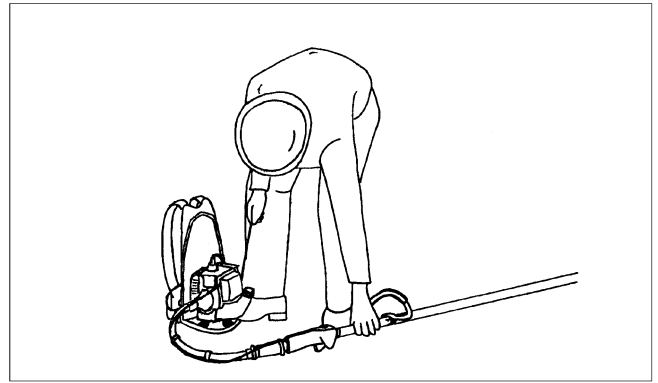
Mettre la débroussailleuse en marche en suivant rigoureusement les instructions.

N'utiliser que la méthode indiquée pour mettre le moteur en marche.

- N'utiliser la débroussailleuse et les outils fournis que pour les applications indiquées.
- Ne mettre le moteur de la débroussailleuse en marche qu'après avoir terminé tout le montage de l'outil. L'utilisation de la débroussailleuse n'est autorisée qu'une fois que tous les accessoires appropriés ont été montés.
- Avant la mise en marche, s'assurer que le couteau ne viendra pas en contact avec des objets tels que branches ou pierres.
- En cas de problème du moteur, l'arrêter immédiatement.
- Si le couteau heurte des pierres ou d'autres objets, arrêter immédiatement le moteur et contrôler le couteau.
- Vérifier fréquemment si le couteau n'est pas endommagé. Vérifier s'il n'est pas fêlé en donnant de petits coups sur le couteau et en écoutant le bruit produit.
- On doit entendre un tintement familier.
- N'utiliser la débroussailleuse qu'après avoir attaché le harnais. Régler correctement la longueur du harnais avant de mettre la débroussailleuse en marche. Pour éviter la fatigue ou une perte de contrôle de l'outil, il est important que le harnais soit ajusté à la taille de l'utilisateur. Ne jamais tenir la débroussailleuse d'une seule main pendant l'utilisation.
- Pendant l'utilisation, toujours tenir la débroussailleuse des deux mains. Veiller à avoir toujours une bonne prise des pieds.
- Utiliser la débroussailleuse d'une manière telle que l'on ne respire pas les gaz d'échappement. Ne jamais faire fonctionner le moteur dans un local clos (risque d'asphyxie et d'intoxication par les gaz). Le monoxyde de carbone est un gaz inodore. Veiller à ce que l'aération soit toujours suffisante.
- Arrêter le moteur avant de faire une pause et de laisser la débroussailleuse sans surveillance. Placer la débroussailleuse dans un endroit où ils ne présentent pas de danger pour les autres et où ils ne risquent pas d'enflammer des matières combustibles ou d'être endommagés.
- Ne jamais poser la débroussailleuse sur de l'herbe sèche ou sur des matières combustibles.
- Le couteau doit toujours être utilisé avec le protecteur approprié. Ne jamais utiliser le couteau sans son protecteur.
- Durant le fonctionnement, tous les protecteurs et autres pièces de protection fournis avec la débroussailleuse doivent être utilisés.
- Ne jamais faire fonctionner le moteur avec un pot d'échappement défectueux.
- Arrêter le moteur avant de transporter la débroussailleuse.
- Pour un long transport, toujours utiliser le protecteur d'outil foui avec la débroussailleuse.
- Pour transporter la débroussailleuse dans une voiture ou un camion, les placer à la verticale et les fixer de façon à éviter tout dommage.
- Avant de transporter la débroussailleuse, s'assurer que le réservoir est complètement vide pour éviter toute fuite de carburant.

Renouvellement du carburant

- Pour éviter tout risque d'incendie et de brûlure, manipuler le carburant avec précaution. Il est hautement inflammable.
- Avant de transporter la débroussailleuse, arrêter le moteur.
- Éviter le contact des produits pétroliers avec la peau. Ne pas respirer les vapeurs de carburant. Toujours porter des gants protecteurs lorsqu'on fait le plein du réservoir. A intervalles réguliers, changer de vêtements protecteurs et les faire nettoyer.
- Veiller à ne pas souiller le sol avec du carburant ou de l'huile. Laisser sécher les chiffons avant de les jeter. Les jeter dans un récipient approprié muni d'un couvercle pour qu'ils ne puissent pas s'enflammer spontanément. Toujours essuyer l'outil au sec avant de mettre le moteur en marche.
- Veiller à ne pas renverser de carburant sur les vêtements. Si du carburant vient sur les vêtements, se changer immédiatement (danger de mort).
- S'assurer régulièrement que le bouchon du réservoir est serré à fond.
- Serrer avec soin la vis de verrouillage du réservoir. Changer d'endroit avant de mettre le moteur en marche (à une distance d'au moins 10 pieds ou 3 mètres de l'endroit où l'on a fait le plein).
- Ne jamais faire le plein dans un local clos. Les vapeurs de carburant s'accumulent au niveau du sol (risque d'explosion).
- Ne transporter et ne stocker le carburant que dans des récipients agréés. S'assurer que la réserve de carburant est hors de portée des enfants.
- Ne pas faire le plein lorsque le moteur est chaud ou qu'il tourne.
- L'essence utilisée (mélangée avec de l'huile moteur deux temps) ne doit contenir ni éthanol ni méthanol (types d'alcool). Ceci a pour but de protéger les canalisations et les autres pièces du moteur.



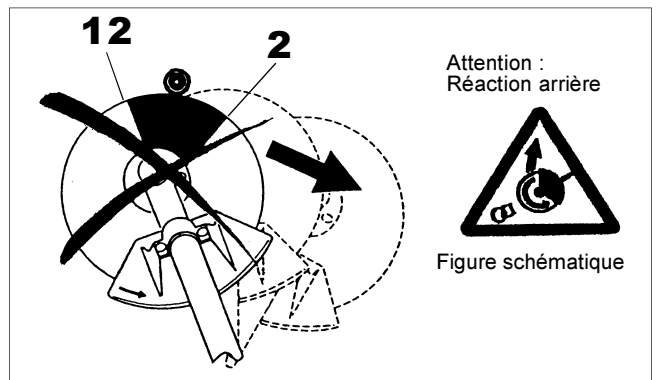
Méthode d'utilisation

- N'utiliser la débroussailleuse qu'avec un éclairage et une visibilité suffisants. En hiver, prendre garde aux endroits glissants ou mouillés, à la glace et à la neige (risque de glisser). Veiller à avoir toujours une bonne prise des pieds.
- Ne pas présumer de ses forces. Garder toujours une bonne prise des pieds, un bon équilibre et un bon contrôle de la débroussailleuse.
- Ne jamais couper des ceintures.
- Ne jamais monter sur un arbre pour effectuer une opération de coupe avec la débroussailleuse.
- Ne jamais travailler sur une surface instable ou un terrain très en pente.
- Enlever des objets tels que, les pierres, les clous, gazon etc., de la zone de travail. De tels objets risquent d'endommager le couteau et de provoquer des réactions arrière dangereuses. Ils peuvent également être projetés.
- Avant de commencer à couper, veiller à ce que le couteau ait atteint la vitesse normale de travail.
- Ne jamais utiliser la débroussailleuse à l'envers ou avec une inclinaison excessive.
- **ATTENTION! — La partie du couteau reste dangereuse lors de la décélération de la machine précédant l'arrêt.**



Réaction arrière

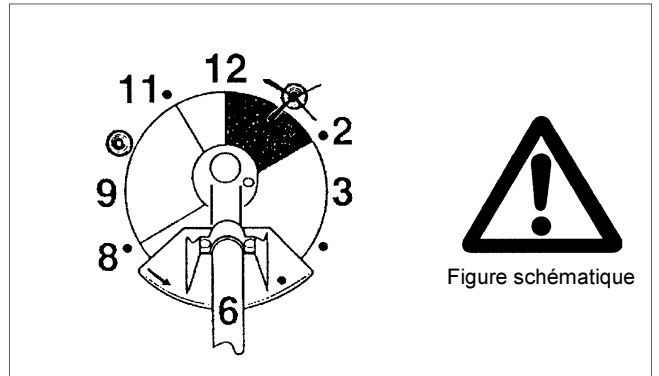
- Lors de l'utilisation de la débroussailleuse, il peut se produire une réaction arrière incontrôlée.
- Ceci est particulièrement vrai si l'on essaie de couper avec le secteur du couteau compris entre 12 et 2 heures lorsqu'on regarde depuis la position de l'utilisateur.
- Ne jamais mettre ce secteur du couteau en contact avec des objets tels que buissons, souches, arbrisseaux, etc., de plus de 3 cm de diamètre.
- La débroussailleuse serait alors déviée brutalement et avec force et risquerait de provoquer des blessures graves.
- **Ne jamais essayer de couper avec le secteur du couteau compris entre 12 et 2 heures.**



Prévention de la réaction arrière

Pour éviter une réaction arrière, respecter les consignes suivantes :

- Une utilisation dans le secteur du couteau compris entre 12 et 2 heures peut être très dangereuse, tout particulièrement avec des couteaux en métal.
- L'utilisation dans le secteur du couteau entre 11 et 12 heures, et entre 2 et 5 heures présente aussi un certain risque de réaction arrière.
- Des opérations de coupe dans le secteur du couteau compris entre 11 et 12 heures, et entre 2 et 5 heures ne doivent être effectuées que par des utilisateurs entraînés et expérimentés, et ce à leurs propres risques. Il est possible de travailler facilement presque sans aucune réaction arrière dans le secteur du couteau compris entre 8 et 11 heures.



Outils de coupe

Utiliser uniquement les outils de coupe corrects pour procéder aux travaux.

Couteau (couteau à 4 dents, couteau à 8 dents)

Pour couper les matériaux épais, comme les mauvaises herbes, hautes herbes, buissons, arbustes, sous-bois, fourrés, fourrés, etc. (diamètre maximal de 2 cm). Pour de genre de travaux, déplacer la débroussailleuse en demi-cercles réguliers, de droite à gauche (comme avec une faux).

Instructions de maintenance

- Avant de commencer à travailler, vérifier l'état de la débroussailleuse et en particulier celui du couteau, de son protecteur et du harnais. Prêter une attention particulière aux lames du couteau qui doivent être correctement aiguisées.
- Avant de remplacer ou d'aiguiser le couteau ou de nettoyer la débroussailleuse ou l'outil de coupe, arrêter le moteur et retirer les connecteurs des bougies.



Ne jamais essayer de redresser ou souder des couteaux endommagés.

- Être attentif à l'environnement. Utiliser la débroussailleuse avec le minimum de bruit et de pollution possible. Veiller tout particulièrement à ce que le réglage du carburateur soit correct.
- Nettoyer régulièrement la débroussailleuse et s'assurer que tous les écrous et vis sont bien serrés.
- Ne jamais procéder à une opération d'entretien ou remettre la débroussailleuse à proximité de flammes vives, étincelles, etc.
- Toujours remettre la débroussailleuse dans un local fermé à clé et bien aéré après avoir vidé le réservoir.

Observer les règles sur la prévention des accidents prescrites par les associations commerciales concernées et par les compagnies d'assurances. N'effectuer aucune modification sur la débroussailleuse car ceci pourrait rendre son utilisation dangereuse.

L'entretien ou les réparations pouvant être effectués par l'utilisateur se limitent aux opérations indiquées dans ce manuel d'instructions. Toute autre opération doit être confiée à un agent de service après-vente agréé.

N'utiliser que des pièces de rechange et des accessoires d'origine fournis par MAKITA. L'utilisation d'accessoires et d'outils non agréés augmente les risques d'accident et de blessures. MAKITA décline toute responsabilité pour des accidents ou des dommages causés par l'utilisation d'outils de coupe ou accessoires non agréés.

Premiers secours

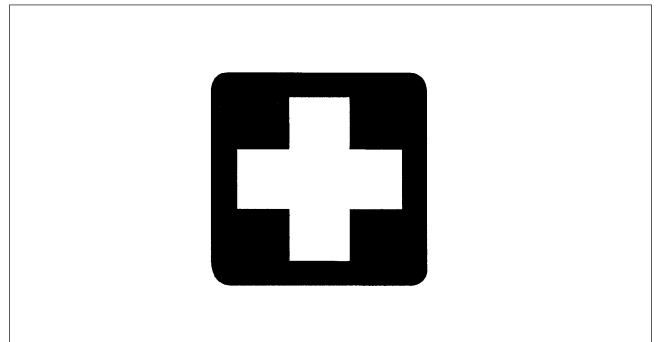
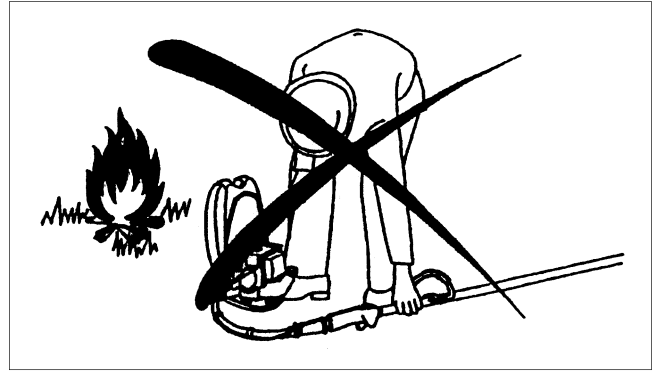
Pour être paré en cas d'accident, prévoir une trousse de premiers secours à proximité des opérations de coupe. Remplacer immédiatement tout article pris dans la trousse de premiers secours.

Lorsqu'on demande de l'aide lors d'un accident, fournir les informations suivantes :

- Lieu de l'accident
- Circonstances de l'accident
- Nombre de blessés
- Type de blessures
- Nom de la personne qui appelle

Emballage

La débroussailleuse MAKITA est livrée dans deux cartons qui la protègent contre les dommages pendant le transport. Le carton est une matière première de base et peut être réutilisé ou recyclé (recyclage des vieux papiers).



DECLARATION DE CONFORMITE CE

Modèle : EBH341R

Nous prenons la responsabilité pour déclarer que le présent produit est conforme aux normes suivantes énoncées aux documents ISO14865, ISO14740, EN55012 conformément aux Directives du Conseil, 89/392/CEE, 98/37/CEE, 93/68/CEE, 89/336/CEE modifiées et 92/31/CEE modifiée.

Niveau sonore mesuré : 108.4 dB

Niveau sonore garanti : 113.3 dB

Niveaux sonores mesurés conformément à la Directive du Conseil, 2000/14/CE.

Procédure d'évaluation de conformité : Annexe V

CE2007



Tomoyasu Kato
Directeur

Producteur responsable:

Makita Corporation.

3-11-8, Sumiyoshi-cho, Anjo, Aichi, JAPAN

Représentant autorisé en Europe:

Makita International Europe Ltd.

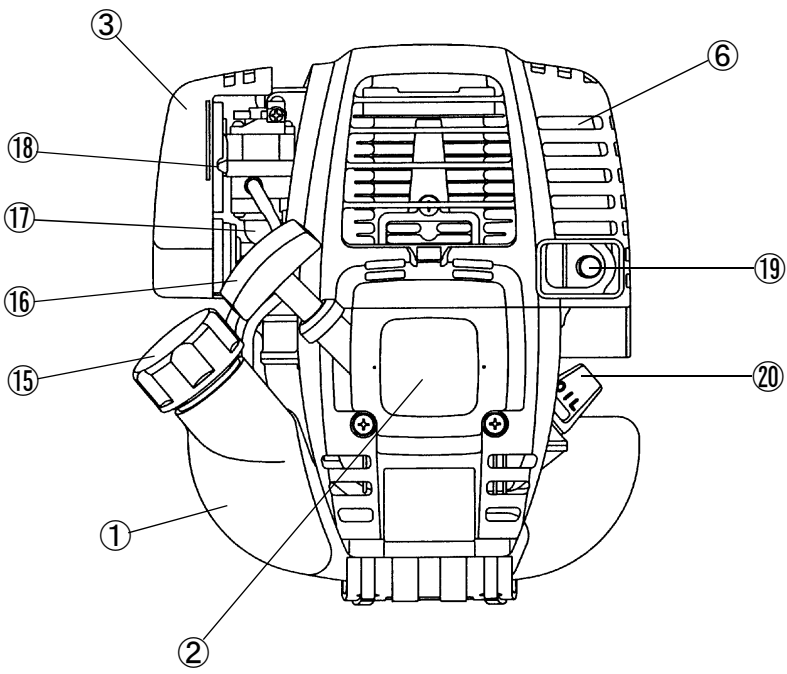
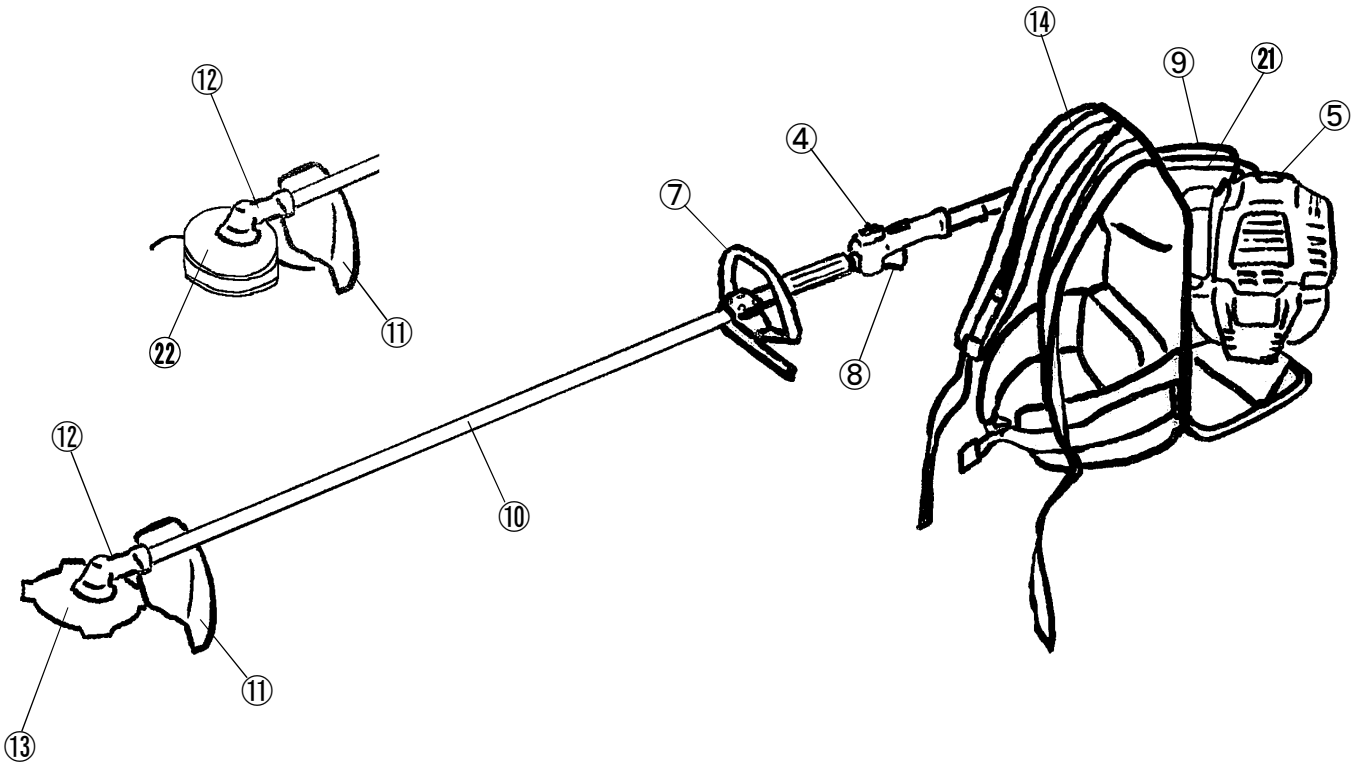
Michigan Drive, Tongwell, Milton Keynes, Bucks MK15 8JD, ENGLAND

DONNÉES TECHNIQUES

Modèle		EBH341R			
		Poignée simple			
		Lame de coupe	Tête de coupe à fil		
Dimensions : longueur x largeur x hauteur (carter du tube)		mm	430 x 280 x 430		
Poids (sans protecteur en plastique et couteau)		kg	10.2		
Volume (réservoir)		L	0.65		
Accessoire de coupage (diam. de la lame de coupage)		mm	255		
Cylindrée du moteur		cm ³	33.5		
Puissance maximale du moteur		kw	1.07 a 7000 min ⁻¹		
Régime moteur à la vitesse maximale de broche recommandée		min ⁻¹	10000		
Vitesse maximale de broche (correspondante)		min ⁻¹	7500		
Consommation de carburant		kg/h	0.458		
Consommation spécifique de carburant		g/kwh	426		
Régime de ralenti		min ⁻¹	3000		
Vitesse d'embrayage		min ⁻¹	4100		
Carburateur (carburateur à diaphragme)		type	WALBRO WYL		
Système d'injection		type	Type Allumage électronique		
Bougie d'allumage		type	NGK CMR6A		
Jeu électrodes		mm	0.7 – 0.8		
Vibration selon ISO 7916 ¹⁾	Poignée droite (prise arrière)	Marche à vide	m/s ²	0.6	0.7
		Emballement ou papillon des gaz ouverts à fond	m/s ²	4.0	5.59
	Poignée gauche (prise avant)	Marche à vide	m/s ²	0.85	0.82
		Emballement ou papillon des gaz ouverts à fond	m/s ²	4.78	8.12
Moyenne du niveau de pression acoustique selon ISO 7917 ¹⁾		dB	89.3	97.1	
Moyenne du niveau de puissance sonore selon ISO 10884 ¹⁾		dB	104.3	108.4	
Carburant		Essence pour moteur			
Huile pour moteur		SAE 10W- 30 huile de la classification API, classe SF ou supérieure (moteur à quatre temps pour automobile)			
Rapport d'engrenage		15/20			

1) Ces données tiennent également compte des modes de fonctionnement au ralenti et à plein régime ou pleins gaz.

DÉSIGNATION DES PIÈCES



F	Nomenclature des pièces
1	Réservoir de carburant
2	Poulie d'enroulement du câble de démarrage
3	Filtre à air
4	Interrupteur I-O (marche/arrêt)
5	Bougie d'allumage
6	Protection d'échappement
7	Poignée
8	Levier de commande
9	Câble de commande
10	Arbre
11	Dispositif de protection
12	Carter de boîte de vitesse
13	Lame de coupe
14	Harnais
15	Bouchon de réservoir
16	Poignée lanceur
17	Pompe primaire
18	Levier d'étranglement
19	Pot d'échappement
20	Jauge d'huile
21	Tube flexible
22	Tête de coupe à fil

MONTAGE MOTEUR ET ARBRE D'ENTRAÎNEMENT



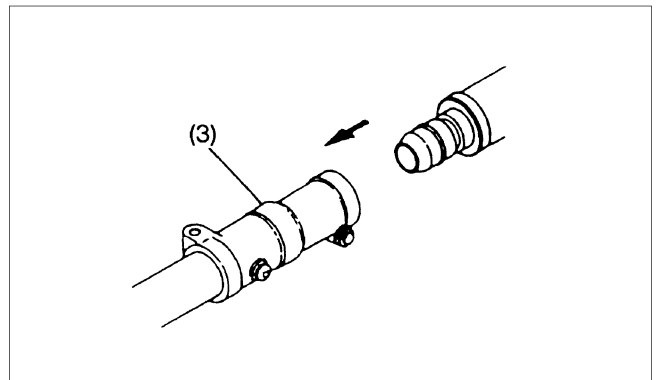
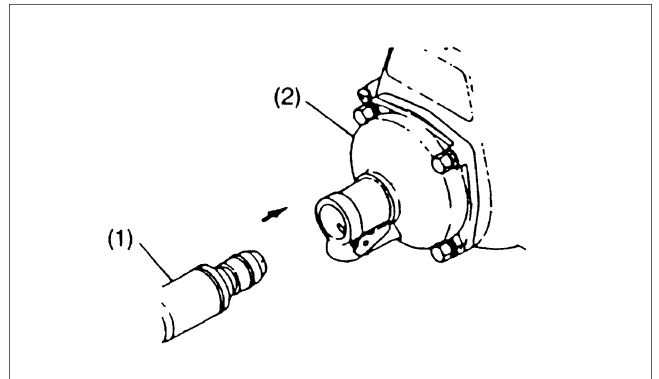
ATTENTION : Avant toute intervention sur la débroussailleuse, toujours arrêter le moteur et débrancher les connecteurs des bougies. Faire attention aux pièces chaudes du moteur et à la lame du couteau. Toujours porter des gants protecteurs.

ATTENTION : Ne mettre la débroussailleuse en marche qu'après l'avoir complètement montée.

1. En joignant le tube flexible au moteur et au carter du tube.

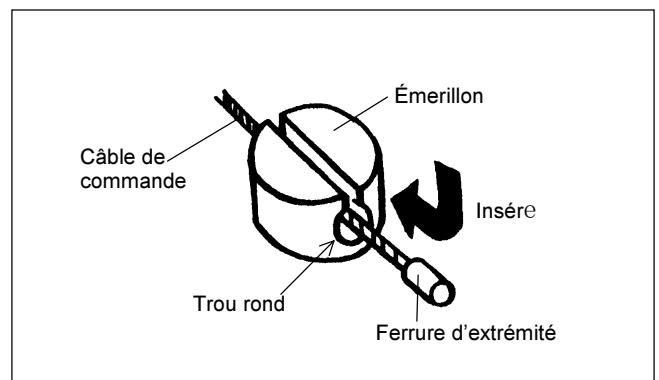
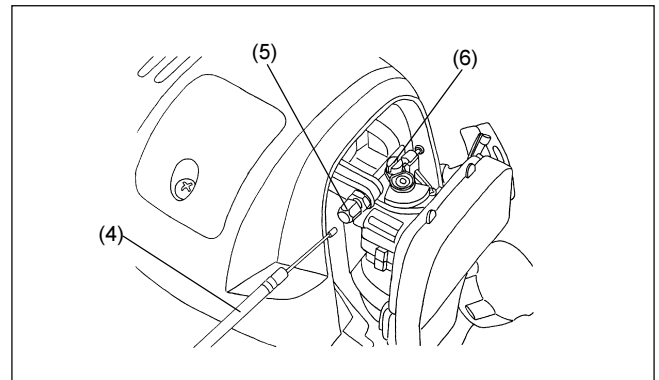
Introduire un bout du tube flexible dans le carte d'embrayage du moteur jusqu'à ce qu'il soit bloqué avec son sec. Introduire l'autre bout du tube flexible dans le carter du tube de la débroussailleuse jusqu'au blocage. On peut changer chaque bout du tube flexible. Vérifier que l'extrémité carrée de l'arbre flexible est appropriée au joint de l'arbre d'entraînement.

Attention : S'il vous semble difficile de mettre le tube flexible proprement, l'extrémité carrée de l'arbre flexible ne peut forcément pas toucher le joint de l'arbre d'entraînement. Il ne faut pas pousser pour éviter du dommage de l'extrémité de l'arbre flexible. Répéter la même procédure jusqu'à ce qu'il se conviennent.



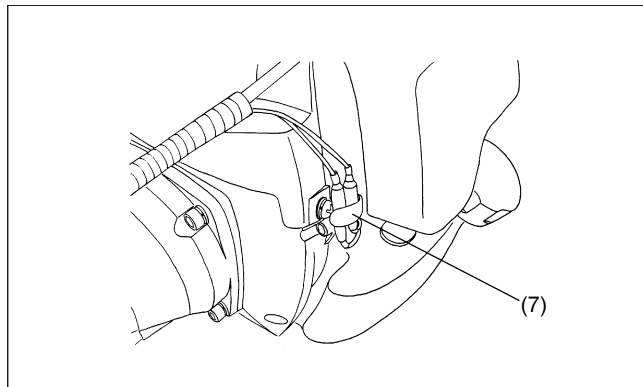
2. Montage du câble de commande

- Déposer le couvercle du filter d'air.
- Poser le câble de commande (4) dans le boulon de réglage (5), et déplacer l'émerillon (6) pour que le câble puisse entrer dans la rainure de l'émerillon. En même temps, le côté trou rond de l'émerillon sera orienté vers la ferrure à l'extrémité du fil intérieur.
- Lâcher l'émerillon, et confirmer que la ferrure à l'extrémité du fil intérieur soit posée dans le trou.
- Poser le couvercle du filtre d'air.



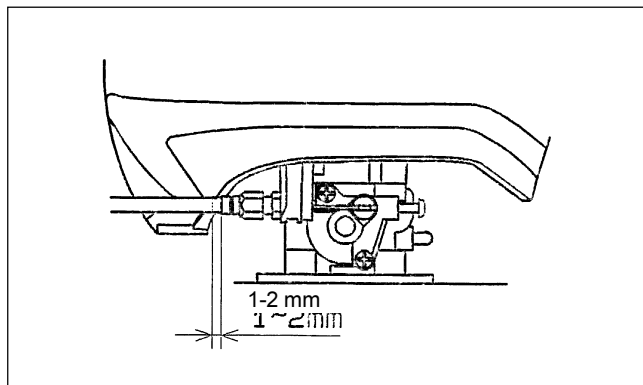
RACCORDEMENT DU CORDON D'INTERRUPTEUR

- Raccorder les cordons de l'interrupteur avec les cordons venant du moteur en insérant l'un dans les autres.
- Fixer le raccord de l'interrupteur avec l'agrafe (7).

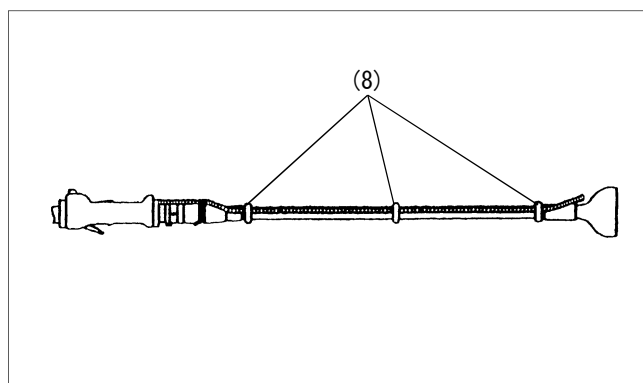


REGLAGE DU CÂBLE DE COMMANDE

Régler le câble de commande avec boulon de réglage pour que il puisse avoir un jeu de 1 à 2 mm lorsque le levier d'étranglement est mis à la position de petite vitesse au moyen du boulon de réglage du carburateur. (Prendre garde que la lame de coupe ne tourne pas au ralenti.)



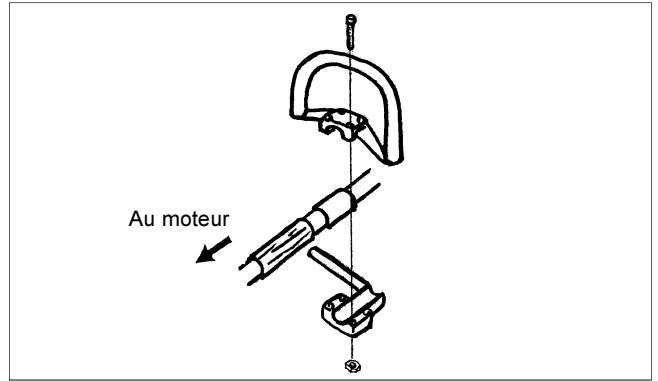
Laisser le câble de commande et les câbles de l'interrupteur I-O aller dans le tube flexible et fixer les trois points à fond sur l'attache (8). Si le câble de commande et les câbles de l'interrupteur I-O ne sont pas fixés, il y a lieu de craindre qu'ils s'accrochent dans les branches ou autre, ce qui serait dangereux.



MONTAGE DE LA POIGNÉE



- Fixer une barrière sur le côté gauche de la débroussailleuse avec la poignée pour la sécurité de l'utilisateur.
- Ne pas approcher la poignée simple à la poignée de commande. Maintenir la position entre la poignée simple et la poignée simple à plus de 25 cm.
(Un collier d'écartement est prévu à cet effet.)



MONTAGE DU PROTECTEUR



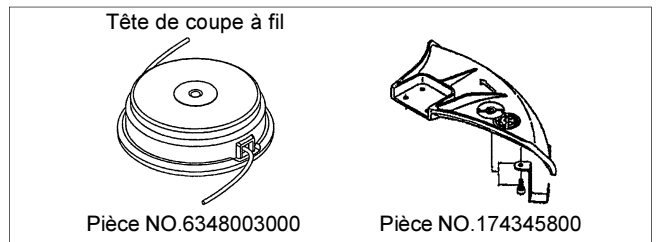
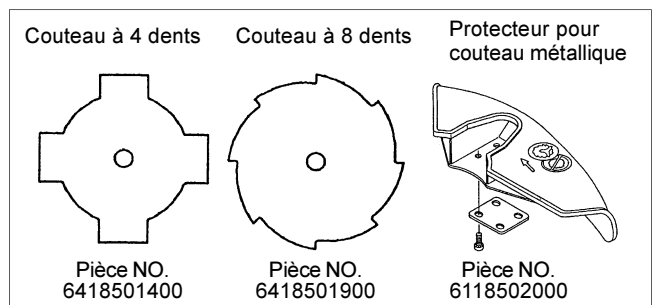
Afin de se conformer aux dispositions de sécurité applicables, on ne doit utiliser que les combinaisons d'outil/protecteur indiquée dans le tableau. L'utilisateur et les personnes autour seraient autrement exposés à de graves blessures ou à un danger de mort.

Utiliser exclusivement un couteau ou une tête de coupe à fil MAKITA d'origine.

- Le couteau doit être propre, bien aiguisé et ne pas comporter de fêlures ou cassures.
Si le couteau heurte une pierre ou un autre objet dur lors de l'utilisation, arrêter le moteur et vérifier immédiatement la lame.
- Nettoyer, aiguiser ou remplacer le couteau toutes les trois heures d'utilisation.
- Le diamètre extérieur du couteau ne doit pas dépasser 255 mm (10-1/32"). Ne jamais utiliser un couteau dont le diamètre extérieur est supérieur à 255 mm (10-1/32").

ATTENTION : Pour la sécurité de l'utilisateur et le respect de la réglementation sur la prévention des accidents, le protecteur approprié doit toujours être en place. L'utilisation de la machine sans le protecteur n'est pas autorisée.

- Fixer une protection sur le réducteur à l'aide de 4 vis serrées à l'aide de 4 vis serrées à fond.
Ne jamais utiliser la débroussailleuse sans protection ou avec une protection cassée.



MONTAGE DE LA COUPEAU OU DE LA TÊTE DE COUPE À FIL



Tourner la machine à l'envers. Le couteau ou tête de coupe à fil peut alors être remplacé facilement.

Montage de la coupeau

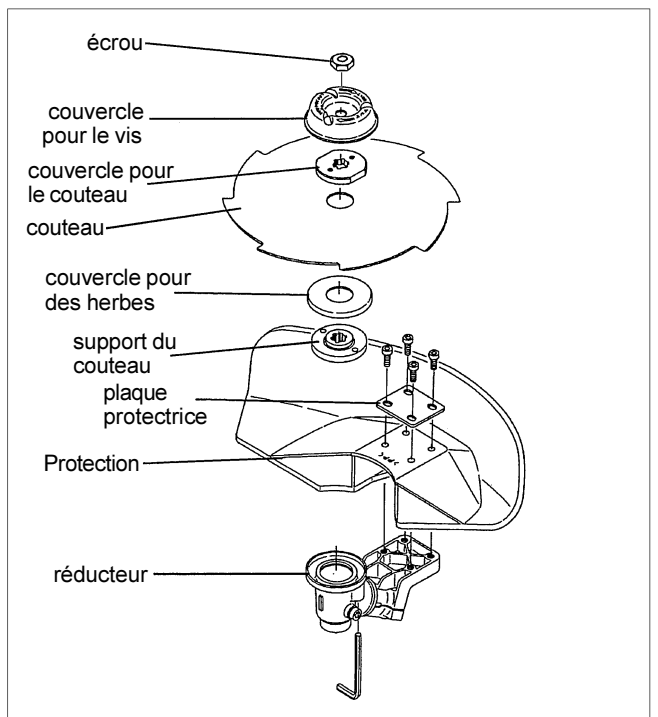
- Préparer un couteau et d'autres pièces en ordre comme indiqué sur le schéma. Introduire une barre ou une clé torx six pans dans un trou du carter jusqu'à ce que le couteau soit bloqué et ne tournera plus.
Serrer l'écrou en le tournant dans le sens contraire aux aiguilles d'une montre avec la combinaison-clé. (Vérifier que l'écrou est bien serré ou desserré dans la direction opposée de l'écrou usuel.)
- L'écrou doit être re-serré chaque fois avant de l'utiliser.
- Pour cette débroussailleuse, nous vous recommandons des attachements comme indiqué à la droite.
- Ne jamais couper des arbres, des bûches, des bois ou d'autres objets solides.

[Couple de serrage : 28 – 48 N-m]

NOTA : Toujours porter des gants pour manipuler le coupeau.

Montage de la tête de coupe coupe à fil

- La couvercle pour le couteau, la couvercle pour le vis et l'écrou ne sont pas nécessaires pour monter la tête de coupe à fil. La tête de coupe à fil doit se situer au sommet de la couvercle pour des herbes.
- Insérer la clé torx six pans par le trou dans la boîte à engrenages et faire tourner la support du couteau jusqu'à ce qu'elle soit fixée par clé torx six pans.
- Ensuite, visser la tête de coupe à fil sur l'arbre, en la faisant tourner en sens direct.
- Enlever la clé torx six pans.



AVANT MISE EN MARCHÉ

CONTROLE ET RAVITAILLEMENT DE L'HUILE MOTEUR



- Faire la méthode suivante après avoir vérifié que le moteur refroidit.
- Maintenir le moteur en position et en lever, la jauge d'huile afin de vérifier que le niveau est situé entre les repères inférieur et supérieur. Lorsque l'huile devient insuffisante en telle manière que la jauge la touche seulement par son extrémité, en particulier lorsque la jauge reste insérée dans le carter sans vissage (Fig. 1), ravitailler en huile nouvelle (Fig.2).
- A titre de renseignement, la durée de ravitaillement est d'environ 15 h (fréquence de ravitaillement : 15 fois).
- Si l'huile varie en couleur ou contient des impuretés, il faut la remplacer. (Pour l'intervalle et la méthode de remplacement, se référer à la page 38.)

Huile recommandée : SAE 10W – 30 huile de la classification API, classe SF ou supérieure (moteur à quatre temps pour automobile)

Volume d'huile : Env. 0.1 L

Nota : Si le moteur n'est pas debout, l'huile peut se déplacer aux alentours du moteur, et elle peut être ravitaillée excessivement.
Si l'huile est fournie au-dessus de la limite, l'huile peut être contaminée ou elle peut prendre feu, émettant une fumée blanche.

Remplacement de l'huile "Jauge d'huile"

- Enlever les poussières et les impuretés à proximité de l'orifice de ravitaillement, et déposer la jauge d'huile.
- Tenir la jauge d'huile déposée libre de sable et de poussière. Le sable ou la poussière adhérent à la jauge d'huile peuvent causer une circulation irrégulière ou abrasion sur les pièces du moteur.
- A titre d'exemple, pour maintenir la jauge nette, il est recommandé d'insérer la jauge d'huile sur le côté poignée dans le couvercle de moteur, comme l'indique Fig. 3.

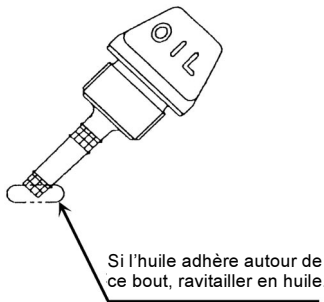


Fig.1

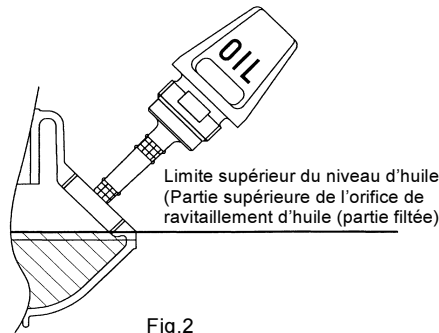


Fig.2

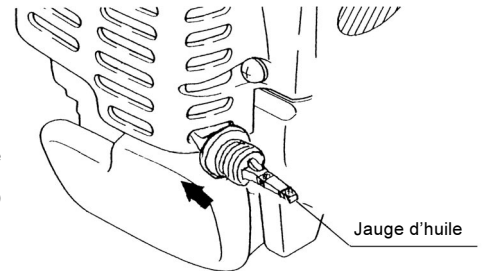
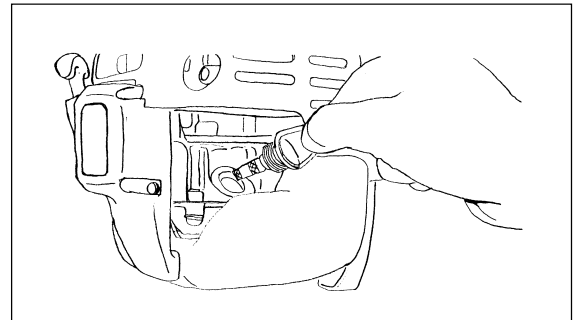
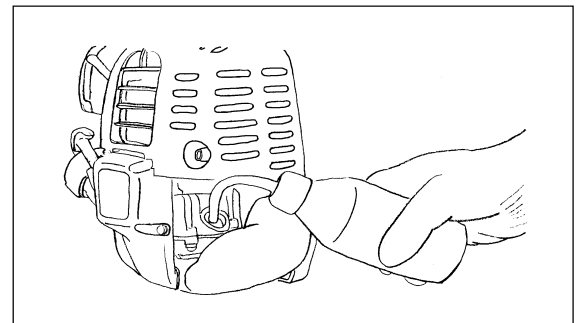


Fig.3

- (1) Tenir le moteur à niveau, et déposer la jauge d'huile.



- (2) Mettre de l'huile jusqu'au bout de l'orifice de ravitaillement. (Se référer à la figure de la page précédente.)
Mettre de l'huile à l'aide du récipient de ravitaillement en lubrifiant.



- (3) Serrer fermement la jauge d'huile. Un serrage insuffisant causera une fuite d'huile.

L'essentiel 2 lors de remplacement de l'huile: "Si de l'huile se renverse"

- Si de l'huile se renverse entre le réservoir à carburant et le groupe moteur, l'huile est aspirée en dedans par l'orifice d'entrée d'air refroidissant, ce qui salira le moteur. Ne jamais oublier d'essuyer l'huile renversée avant commencement de la marche.

RAVITAILLEMENT

Manipulation du carburant

Il est nécessaire de manipuler le carburant avec un soin particulier. Le carburant peut contenir des matières similaires aux solvants. Le ravitaillement doit être fait dans une chambre bien ventilée ou en plein air. Ne jamais aspirer de la vapeur de carburant, et s'éloigner du carburant. Un contact prolongé ou régulier avec de l'essence peut provoquer un dessèchement de la peau ainsi que des maladies et des réactions allergiques. En cas de contact avec les yeux il faut rincer avec de l'eau. Si l'oeil reste irrité consulter un médecin.

Durée de stockage du carburant

- Le carburant doit être utilisé totalement dans un délai de quatre semaines, même s'il est contenu dans un récipient spécial et stocké à l'ombre bien aérée.
- Si le carburant n'est pas stocké dans un récipient spécial ou si le récipient n'est pas couvert, le carburant se détériore dans un jour.

ENTREPÔSAGE DE L'APPAREIL ET DU RÉSERVOIR DE RAVITAILLEMENT

- Garder l'appareil et le réservoir à un endroit sans être exposé aux rayons du soleil.
- Ne jamais garder le carburant dans une cabine ou sur le camion.

Carburant

Le moteur est à quatre temps. Utiliser de l'essence sans plomb 98.

Les essentiels pour le carburant

- Ne jamais utiliser de mélange d'essence contenant de l'huile à moteur.
- Une huile détériorée causera un démarrage irrégulier.

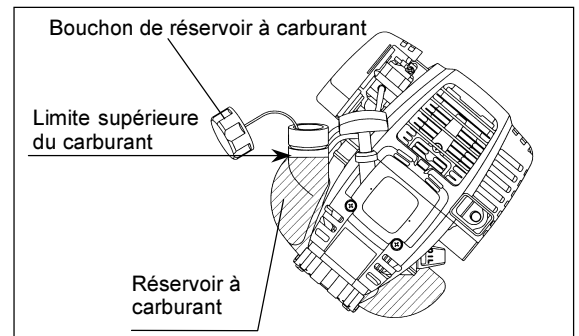
Ravitaillement

Avertissement : produit inflammable

Essence utilisée : Essence sans plomb 98

- Desserrer un peu le bouchon de réservoir de telle manière qu'il n'y ait pas de différence en pression atmosphérique.
- Déposer le bouchon de réservoir, et ravitailler, l'orifice de ravitaillement orienté en dessus. (Ne jamais ravitailler en carburant pleinement jusqu' à l'orifice.)
- Essuyer complètement les alentours du bouchon de réservoir afin de prévenir l'entrée de matières étrangères dans le réservoir à carburant.
- Après ravitaillement, serrer fermement le bouchon de réservoir.

- S'il y a aucune fissure sur le couvercle du réservoir, le remplacer.
- Le couvercle du réservoir est une pièce consommable. Par conséquent, elle doit être remplacé tous les deux à trois ans.



CONSIGNES DE MISE EN MARCHÉ ET ARRÉT DE LA MACHINE

Respecter les lois applicables en matière de prévention contre les accidents!

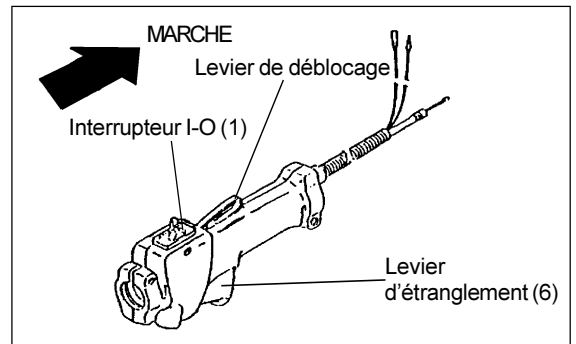


Démarrage

Déplacer la machine à trois mètres au moins du lieu de ravitaillement. Placer la débroussailleuse sur une zone propre en veillant à ce que l'outil de coupe n'entre pas en contact avec le sol ou tout autre objet.

A: Démarrage à froid

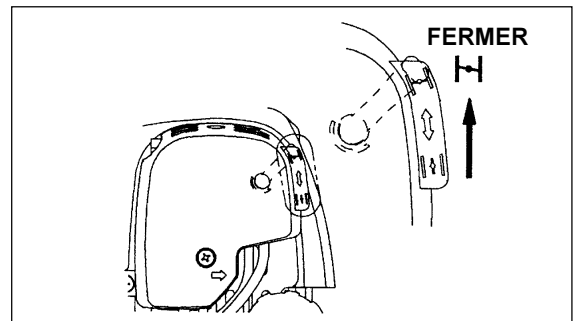
1) Positionner cette machine sur un lieu plat.



2) Mettre l'interrupteur I-O (1) sur la position "MARCHE".

3) Fermer le levier de starter.

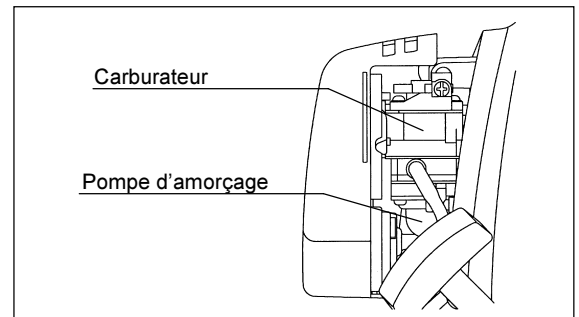
- Fermer le levier de starter lors d'un démarrage à froid.
- Ouverture de levier starter pour un démarrage à chaud..



4) Pompe d'amorçage

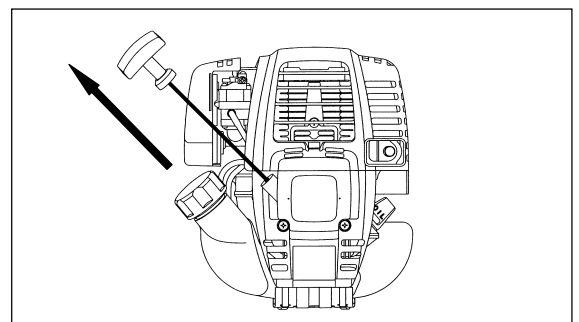
Continuer à pousser la pompe d'amorçage jusqu'à ce que le carburant entre dans la pompe d'amorçage. (En général, le carburant entre dans la pompe d'amorçage par 7 à 10 poussées.)

Si la pompe d'amorçage est poussée excessivement, un excès de l'essence retourne au réservoir à carburant.



5) Poulie d'enroulement du câble de démarrage

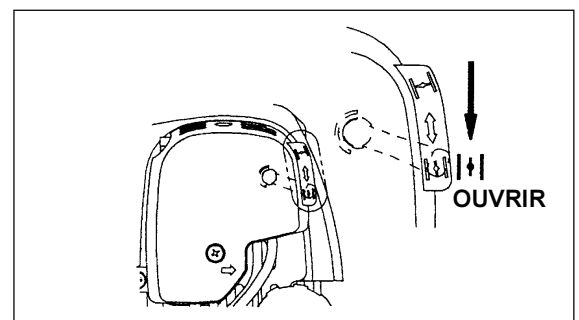
- Tirer la poignée de démarrage jusqu'à ce qu'il soit difficile de tirer (point de compression). Puis, laisser revenir la poignée de démarrage, et la tirer fortement.
- Ne jamais tirer le câble pleinement. Une fois que la poignée de démarrage est tirée, ne jamais lâcher prise du câble tout à coup. Saisir la poignée de démarrage jusqu'à ce qu'elle retourne au point original.



6) Levier de starter

Lorsque le moteur démarre, ouvrir le levier de starter.

- Ouvrir le levier de starter pas à pas, en vérifiant la marche du moteur. Ne pas manquer d'ouvrir le levier de réglage pleinement à la fin.
- A froid ou lorsque le moteur reste froid ne pas ouvrir le levier de réglage subitement. Autrement, le moteur s'arrêtera.



7) Montée en température

Effectuer la montée en température pendant deux ou trois minutes.

- Attention:– Si vous actionnez trop longtemps sur le starter alors que la manette de démarrage est en position “CLOSE”, vous risquez de noyer le moteur par une arrivée trop importante de carburant, rendant le démarrage de l'appareil difficile.
- Si le moteur est noyé, dévissez la bougie, puis tirez largement plusieurs fois sur la poignée de démarrage, et retirez le carburant en trop. Ou bien, séchez l'électrode de la bougie.

Consignes de sécurité lors du fonctionnement:

Si le levier d'étranglement est complètement ouvert lors d'un fonctionnement sans charge, le régime du moteur augmente jusqu'à 10000 /min ou plus. Ne jamais utiliser le moteur à une vitesse supérieure à la vitesse requise et respecter une vitesse approximative de 6000 – 8500 /min.

B: Démarrage après réchauffage

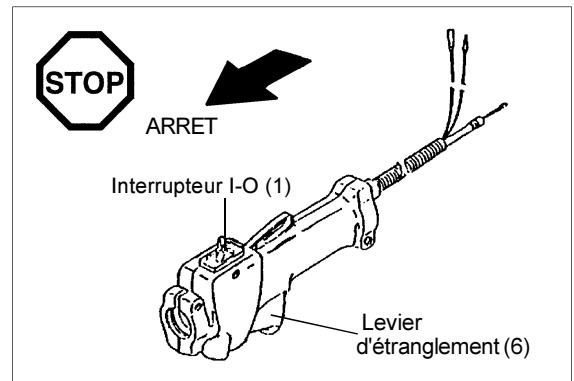
- 1) Pousser la pompe d'amorçage à plusieurs reprises.
- 2) Tenir le levier d'étranglement au ralenti.
- 3) Tirer le câble de démarrage fortement.
- 4) S'il est difficile de démarrer le moteur, ouvrir le levier d'étranglement d'un tiers. Il faut alors faire attention à la lame de coupe, qui peut tourner soudainement.

Attention lors du fonctionnement

Lorsque le moteur fonctionne à l'envers, il peut arriver qu'une fumée blanche s'échappe.

Arrêt

- 1) Relâcher complètement le levier d'accélérateur (6) et mettre l'interrupteur I-O sur la position “STOP” lorsque le régime du moteur s'est abaissé: le moteur s'arrêtera.
- 2) Faire attention à ce que la tête de coupe ne puisse pas s'arrêter toute de suite, faire réduire doucement la vitesse jusqu'au ralenti.

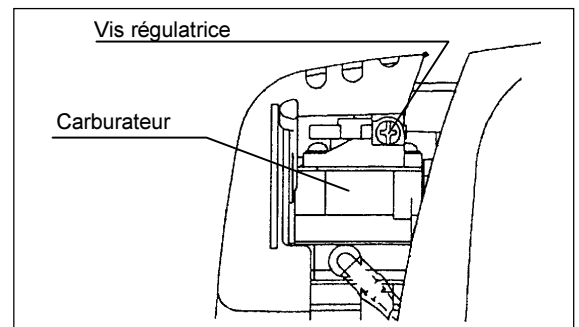


REGLAGE DE LA MARCHE A PETITE VITESSE (AU RALENTI)

Lorsqu'il est nécessaire de faire un réglage à petite vitesse (au ralenti), manipuler la vis régulatrice du carburateur.

VERIFICATION DE LA ROTATION A PETITE VITESSE

- Régler à 3000 /min la rotation à petite vitesse. S'il est nécessaire de changer la vitesse de rotation, ajuster la vis régulatrice avec tournevis cruciforme.
- Tourner la vis régulatrice à droite. La rotation du moteur augmentera.
- Tourner la vis régulatrice à gauche. La rotation du moteur alors diminuera.
- Le carburateur est réglé en générale avant expédition. S'il est nécessaire de le régler de nouveau, s'adresser à l'agent du service après-vente habilité.

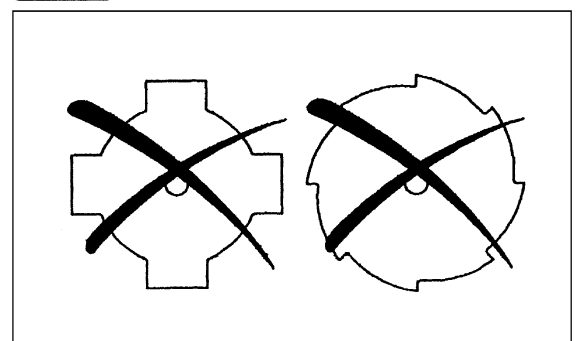


AIGUISAGE DU COUTEAU

ATTENTION : L'aiguisage des couteaux indiqués ci-dessous ne doit être effectué que dans un centre agréé. Un aiguisage manuel déséquilibrerait l'outil de coupe et entraînerait des vibrations et des dommages de la machine pouvant être dangereux.

- Couteau (couteau à 4 dents, couteau à 8 dents)
Les agents de service après-vente agréés peuvent fournir un service d'aiguisage et d'équilibrage spécialisé.

NOTA : Pour augmenter la durée de service du couteau (couteau à 4 dents, couteau à 8 dents), on peut le retourner à l'envers une fois jusqu'à ce que les deux arêtes soient émoussées. Ne pas utiliser une lame émoussée. Ceci pourrait entraîner une réaction arrière et de graves blessures.



INSTRUCTIONS RELATIVES AUX RÉPARATIONS



ATTENTION: Toujours couper le moteur et retirer le capuchon de la bougie d'allumage avant de procéder à tout travail sur la débroussailleuse (voir "Contrôle de la bougie d'allumage"). Toujours porter des gants de protection!

Procéder aux réparations suivantes à intervalles réguliers pour assurer une longévité importante et pour éviter tout endommagement de l'équipement.

Contrôle et opérations de maintenance réguliers

- Vérifier si les vis sont serrées et si l'ensemble des pièces est en place avant d'utiliser la machine. Prêter particulièrement attention à la fixation de la lame de coupe ou de la tête de coupe.
- Toujours vérifier si le canal et les ailettes de refroidissement du cylindre sont débouchés avant d'utiliser la machine. Les nettoyer si nécessaire.
- Procéder quotidiennement aux opérations suivantes après utilisation:
 - Nettoyer l'extérieur de la débroussailleuse et vérifier si elle est endommagée.
 - Nettoyer le filtre à air. Nettoyer le filtre plusieurs fois par jour si les conditions de travail sont extrêmement poussiéreuses.
 - Vérifier si la lame ou la tête de coupe est endommagée et s'assurer qu'elle est montée solidement.
 - Vérifier que la différence entre la vitesse de ralenti et la vitesse de conduite est suffisante afin de s'assurer que la lame de coupe est au repos lorsque le moteur fonctionne ralenti (réduire la vitesse de ralenti si nécessaire).
Si l'outil devait continuer à fonctionner dans des conditions de ralenti, consulter l'agent du service après-vente habilité le plus proche.
- Vérifier le fonctionnement de l'interrupteur I-O, le levier de déverrouillage, le levier de commande et le bouton de verrouillage.

REPLACEMENT DE L'HUILE A MOTEUR

Une huile à moteur détériorée peut diminuer la longévité considérablement. Ne pas manquer de vérifier la période et la quantité de remplacement.



ATTENTION : En général, le bloc moteur et l'huile à moteur restent chauds immédiatement après que le moteur s'arrête. Lors de remplacement d'huile, confirmer que le bloc moteur et l'huile à moteur sont refroidis pleinement. Autrement, il y a un risque de brûlure.

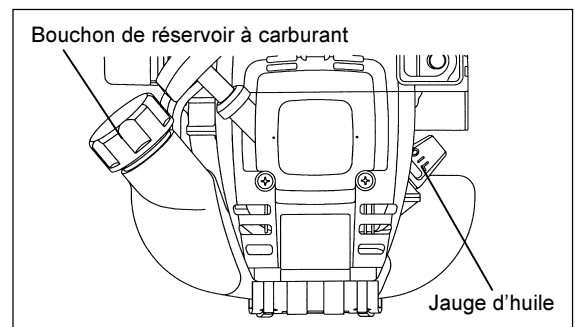
Nota: Si l'huile est fournie au-dessus de la limite, elle peut être contaminée ou prendre feu.

Intervalle de remplacement : Initialement, toutes les 20 heures de marche, et successivement toutes les 50 heures de marche.

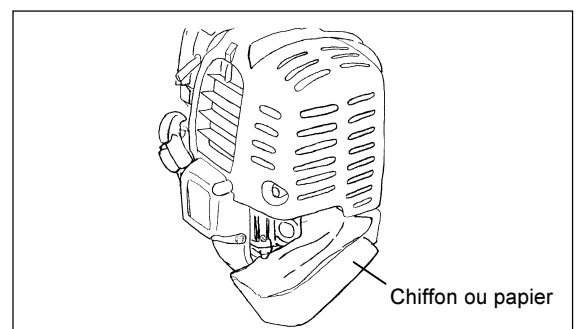
Huile recommandée : SAE10W-30 de la classification API, Classe SF ou supérieure (moteur à quatre temps pour automobile)

Lors de remplacement, faire les procédés suivants :

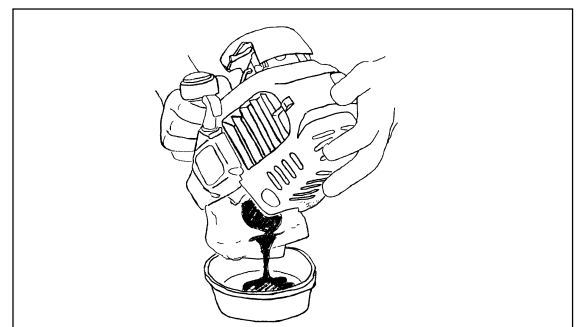
- 1) Vérifier que le bouchon de réservoir à carburant est serré complètement.
- 2) Déposer la jauge d'huile.
Tenir la jauge d'huile propre de toutes poussières ou d'impuretés.



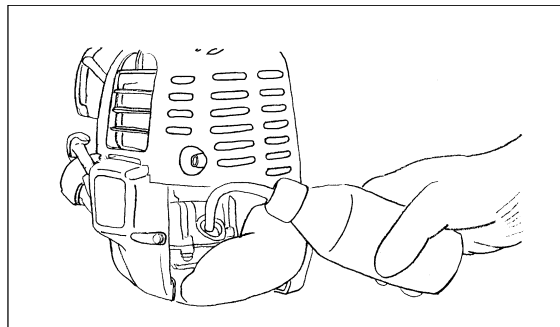
- 3) Mettre un chiffon ou papier aux alentours de l'orifice de ravitaillement.



- 4) Déposer la jauge d'huile, et évacuer l'huile en inclinant le bloc vers l'orifice de ravitaillement.
Évacuer l'huile dans un récipient.



- 5) Tenir le moteur plat, remplir en huile fraîche jusqu'à l'extrémité de l'orifice de ravitaillement.
Lors de ravitaillement, utiliser un récipient de ravitaillement à lubrifiant.
- 6) Après ravitaillement, serrer la jauge d'huile fermement. Un serrage insuffisant de la jauge d'huile peut provoquer une fuite d'huile.



ESSENTIELS POUR L'HUILE

- Ne jamais déposer de l'huile à moteur usagée dans des ordures, dans la terre, ou dans un égout. Le depot de l'huile utilisée est réglementée par la loi. Lors de la disposition, il faut observer les lois et règlements concernés.
- L'huile se détériore même si elle est stockée intacte. Faire le contrôle et le remplacement à des intervalles réguliers (renouveler l'huile tous les six mois.)

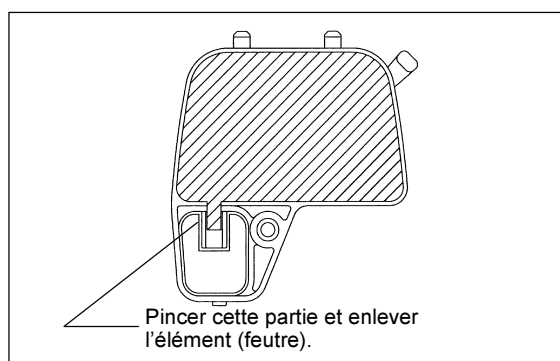
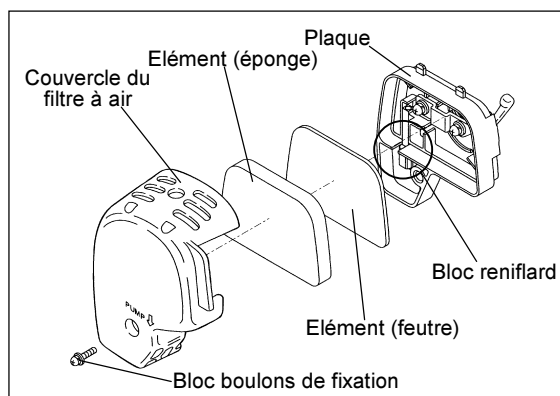
NETTOYAGE DU FILTRE A AIR



DANGER : DEFENSE DE FAIRE DU FEU

Intervalle de nettoyage et de contrôle : Quotidien (toutes les 10 heures de marche)

- Faire tourner le levier de réglage pleinement vers le côté fermeture, et tenir le carburateur net de poussières ou d'impuretés.
- Déposer les boulons de fixation du couvercle de filtre à air.
- Tirer le côté inférieur du couvercle et déposer le couvercle du filtre à air.
- Si l'huile adhère à l'élément (éponge), le tordre fermement.
- Pour les contaminations fortes :
 - 1) Enlever l'élément (éponge), l'immerger dans l'eau tiède ou dans un détergent, et le sécher complètement.
 - 2) Nettoyer l'élément (feutre) avec essence, et le sécher complètement.
- Avant de poser l'élément, prendre garde à le sécher complètement. Le séchage insuffisant peut provoquer un démarrage difficile.
- Essuyer avec une toile toute l'huile adhérente aux alentours du filtre d'air et du reniflard de toile.
- Immédiatement après que le nettoyage est fini, reposer le couvercle du filtre, et le serrer avec boulons de fixation. (Lors de remontage, d'abord mettre le cliquet supérieur et puis le cliquet inférieur.)



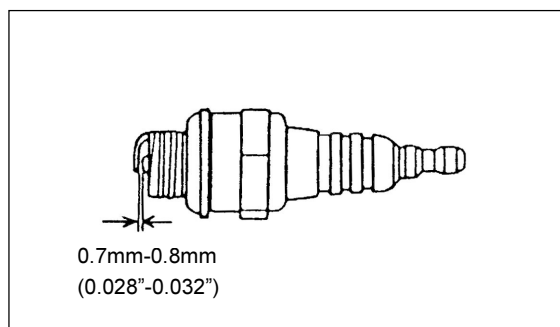
Points à garder lors de manieiment de l'élément du filtre d'air

- Nettoyer l'élément à plusieurs reprises par jour, s'il y a des poussières excessives y adhérentes.
- Si le fonctionnement continue sans enlever l'huile complètement de l'élément, l'huile restant dans l'air peut tomber dehors, ce qui pourrait provoquer une contamination d'huile.

CONTÔLE DE LA BOUGIE D'ALLUMAGE

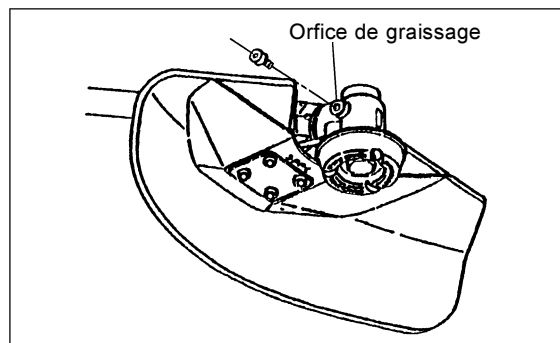
- Utiliser uniquement la clé universelle fournie pour retirer ou monter la bougie d'allumage.
- L'espacement entre les deux électrodes de la bougie d'allumage devrait être de 0,7 - 0,8mm (0,028" - 0,032"). Si l'espacement est trop large ou trop étroit, le régler. Si la bougie d'allumage est bouchée avec de la calamine ou encrassée, la nettoyer soigneusement ou la remplacer.

ATTENTION: Ne jamais toucher le connecteur de la bougie d'allumage lorsque le moteur tourne (risque d'électrocution haute tension).



GRAISSAGE DU CARTER D'ENGRENAGE

- Alimenter le carter d'engrenage en graisse (Shell Alvania 2 ou équivalent) à travers le trou de graissage toutes les 30 heures.



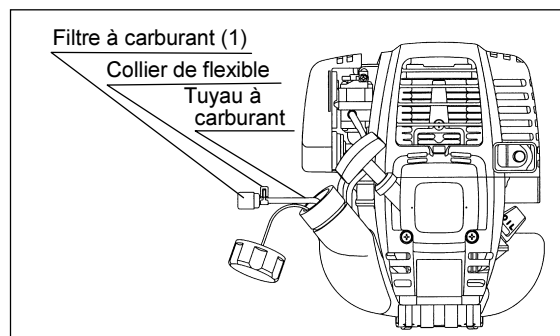
NETTOYAGE DU FILTRE A CARBURANT

Avertissement : Produit inflammable

Intervalle de nettoyage et contrôle : Mensuel (toutes les 50 heures de marche)

Tête d'aspiration dans le réservoir de carburant

- Le filtre à carburant (1) de la tête d'aspiration est utilisé pour filtrer le carburant requis par le carburateur.
- Procéder à une inspection visuelle périodique du filtre à carburant. Ouvrir le bouchon du réservoir à cet effet, utiliser un crochet et retirer la tête d'aspiration à travers l'ouverture du réservoir. Remplacer les filtres durcis, pollués ou bouchés.
- Une alimentation en carburant insuffisante peut empêcher le moteur d'atteindre sa vitesse de fonctionnement optimale. Il est donc important de remplacer le filtre à carburant au moins tous les 4 mois afin d'assurer une alimentation en carburant satisfaisante du carburateur.



REPLACEMENT DU TUYAU A CARBURANT

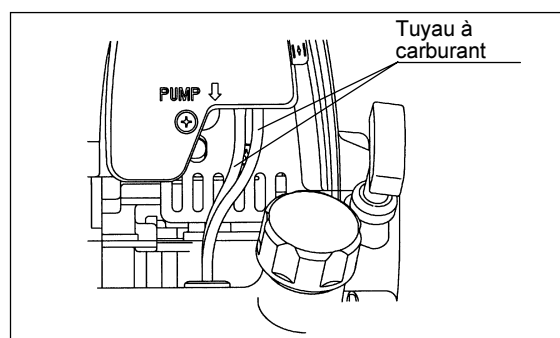
Attention : Produit inflammable

Intervalle de nettoyage et contrôle : Quotidien (toutes les 10 heures de marche)

Remplacement : Annuel (toutes les 200 heures de marche)

Remplacer le durite chaque année, quelque soit la fréquence de marche. Une fuite d'huile peut provoquer un incendie.

S'il y a une fuite découverte pendant contrôle, remplacer le tuyau à huile sans délai.



CONTROLE DES BOULONS, ECROUS ET VIS

- Resserrer les boulons, écrous, etc.
- Vérifier la fuite de carburant et d'huile.
- Renouveler les pièces endommagées. Les poussières et impuretés adhérant aux ailettes peuvent causer un grippage.

NETTOYAGE DES PIECES

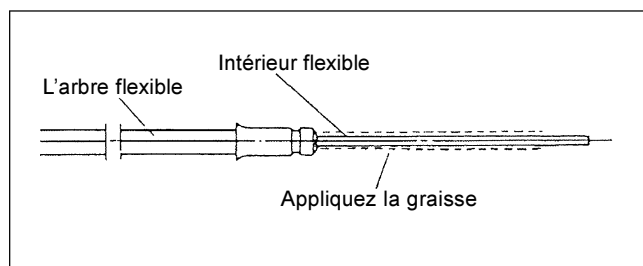
- Tenir le moteur toujours net.
- Tenir les ailettes de cylindre propres de toutes poussières et impuretés. L'adhérence des poussières et impuretés aux ailettes causera un grippage.

REPLACEMENT DES JOINTS ET GARNITURES

Lors de remontage après le moteur est démonté, ne pas manquer de renouveler les joints et garnitures.

PROVISION DE GRAISSE À L'ARBRE FLEXIBLE

- Sortez de l'arbre flexible du revêtement intérieur flexible pour chaque 20 heures, et appliquez la graisse sur l'arbre flexible.
- L'arbre flexible peut être cassé si aucune graisse est appliquée.



Toutes les opérations d'entretien ou de réglage qui ne sont pas incluses et décrites dans ce manuel doivent être exécutées par un agent de service après-vente agréé.

REMISAGE



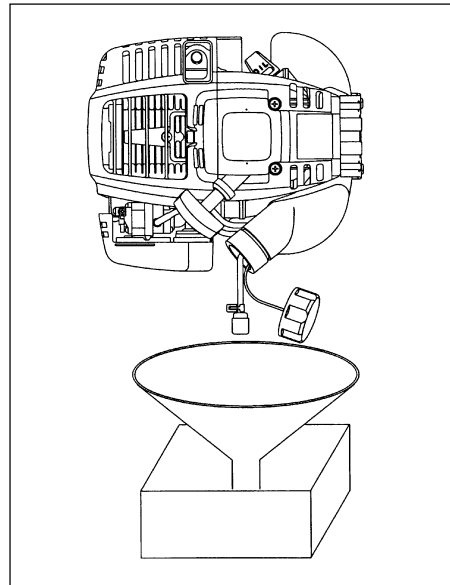
AVERTISSEMENT: Lors de décharger l'huile, prendre garde à arrêter le moteur et confirmer que le moteur se refroidit.

Justement après arrêt du moteur, il peut rester chaud, pouvant provoquer des brûlures, ignition et incendie.



ATTENTION : Lorsque l'appareil est tenu hors de fonctionnement pendant une longue période, décharger toute l'huile à partir du réservoir d'huile et du carburateur, et les garder à un endroit sec et net.

- Décharger tout le carburant à partir du réservoir d'huile et du carburateur d'après le procédé suivant :
 - 1) Enlever le couvercle du réservoir d'huile, et décharger le carburant complètement. S'il y a plusieurs matières étrangères restant dans le réservoir d'huile, les enlever complètement.
 - 2) Tirer le filtre de carburant de l'orifice de ravitaillement avec un fil métallique.
 - 3) Tirer la pompe d'amorçage jusqu'à ce que le carburant soit déchargé d'ici, et décharger le carburant venant du réservoir d'huile.
 - 4) Remettre le filtre dans le réservoir d'huile, et serrer fermement le couvercle du réservoir d'huile.
 - 5) Puis, continuer à faire fonctionner le moteur jusqu'à ce qu'il s'arrête.
- Enlever la bougie d'allumage, faire tomber plusieurs gouttes de l'huile pour moteur au travers du trou de la bougie d'allumage.
- Tirer doucement la poignée de démarrage de façon que l'huile pour moteur s'étende totalement sur le moteur, et poser la bougie d'allumage.
- Poser le couvercle sur la lame de coupe.
- Pendant entreposage, tenir la tige horizontale ou tenir l'appareil debout, gardant la lame de coupe orientée en haut. (Dans ce cas, faire attention à protéger l'appareil contre sa chute.) Ne jamais entreposer l'appareil en tenant le bout de la lame de coupe orientée en bas. L'huile lubrifiante peut se répandre.
- Garder l'huile déchargée dans un récipient spécial à l'ombre bien aérée.



Attention après entreposage de longue durée

Avant démarrage au bout d'arrêt de longue durée, prendre garde à remplacer l'huile (se référer à page 38) L'huile peut se détériorer pendant que l'appareil se met hors marche.

Localisation des défauts

Défaut	Système	Observation	Cause
Pas de démarrage du moteur ou démarrage difficile	Système d'allumage	Étincelle d'allumage présente	Défaut dans l'alimentation en carburant ou dans le système de compression. Défaut mécanique
		Pas d'étincelle d'allumage	Interrupteur d'arrêt actionné, défaut du fil ou court-circuit, bougie d'allumage ou connecteur défectueux, module d'allumage défectueux
	Alimentation en carburant	Réservoir de carburant rempli	Position incorrecte de l'étrangleur, carburateur défectueux, tête d'aspiration sale, tuyau d'alimentation en carburant plié ou en crassé
	Compression	Pas de compression au tirage	Joint d'étanchéité du fond du cylindre défectueux, soudures du carter endommagées, piston ou segments défectueux ou fuite par la fixation de la bougie d'allumage
Problèmes en démarrage à chaud	Défaut mécanique	Câble non enclenché	Ressort du câble cassé, pièces cassées à l'intérieur du moteur
		Réservoir rempli Étincelle d'allumage présente	Carburateur sale, le nettoyer
Le moteur démarre mais est immédiatement noyé	Alimentation en carburant	Réservoir rempli	Réglage de marche à vide incorrect, tête d'aspiration ou carburateur sale Orifice du réservoir de carburant bouché. Tuyau d'alimentation en carburant plié, câble ou interrupteur STOP défectueux
Performances insuffisantes	Plusieurs circuits sont peut-être affectés Simultanément.	Régime de marche à vide médiocre	Filtre à air sale, carburateur sale, conduit d'échappement du cylindre bouché

Article	Durée de marche								
		Avant marche	Après lubrification	Quotidien (10h)	30h	50h	200h	Arrêt/repos	P correspondant
Huile à moteur	Vérifier/Nettoyer	○							34
	Remplacer					○ ^{*1}			38
Pièces à serrer (boulons, écrous)	Vérifier	○							40
Réservoir à carburant	Nettoyer/Vérifier	○							—
	Evacuer le carburant						○ ^{*3}		41
Levier d'étranglement	Vérifier les fonctions		○						36
Interrupteur d'arrêt	Vérifier les fonctions		○						36
Lame de coupe	Vérifier	○		○					33
Rotation à petite vitesse	Vérifier/Ajuster			○					37
Filtre à air	Nettoyer			○					39
Bougie d'allumage	Vérifier			○					39
Conduite d'air de refroidissement	Nettoyer/Vérifier			○					40
Tuyau à carburant	Vérifier			○					40
	Remplacer						◎ ^{*2}		—
Graisse à carter	Remplir				○				40
Filtre à carburant	Nettoyer/ Remplacer					○			40
Espace entre soupape d'entrée d'air et soupape de déchargement d'air	Ajuster						◎ ^{*2}		—
Tube d'huile	Vérifier						◎ ^{*2}		
Révision générale du moteur							◎ ^{*2}		—
Carburateur	Evacuer le carburant						○ ^{*3}		41

*1 Faire le remplacement premier après 20h de marche.

*2 Pour le contrôle de 200 heures de marche, s'adresser à l'agent du service après-vente habilité ou à un atelier des réparations.

*3 Après vidage du réservoir à carburant, continuer à faire fonctionner le moteur et évacuer le carburant dans le carburateur.

DEPANNAGE

Avant de faire une demande de réparations, vérifier un incon vénient par soi-même. S'il y a aucune anomalie, régler votre machine suivant la description de ce manuel. Ne jamais manipuler ou déposer aucune partie contrairement à la description. Pour les réparations, s'adresser à l'agent du service après-vente habilité.

Etat d'anomalie	Cause probable (fonctionnement irrégulier)	Remède
Le moteur ne démarre pas	Panne de la pompe d'amorçage	Pousser 7 à 10 fois
	Petite vitesse de tirage du câble de démarreur	Tirer fortement
	Manque de carburant	Remplir
	Colmatage du filtre à carburant	Nettoyer
	Tuyau à carburant plié	Redresser le tuyau à carburant
	Carburant détérioré	Un carburant détérioré laisse le démarrage plus difficile. Renouveler. (Remplacement recommandé: 1 mois)
	Aspiration excessive du carburant	Ajuster la rotation du levier d'étranglement de vitesse moyenne à la haute, et tirer la poignée de démarreur jusqu'à ce que le moteur démarre. Une fois que le moteur démarre, la lame de coupe commence à tourner. Faire attention surtout à la lame de coupe. Si le moteur ne démarre pas, déposer la bougie d'allumage, dessécher l'électrode, et les remonter comme ils sont d'abord. Puis, démarrer suivant les instructions.
	Bouchon déposée	Reposer fermement
	Bougie d'allumage tachée	Nettoyer
	Espace anormal de la bougie d'allumage	Ajuster l'espace
	D'après types d'anomalie de la bougie d'allumage	Remplacer
	Carburateur anormal	Faire une demande de contrôle et de maintenance.
	Système de commande anormal	Faire une demande de contrôle et de maintenance
Le moteur s'arrête toute de suite. Le moteur ne s'augmente pas	Réchauffage insuffisant	Faire le réchauffage
	Le levier de réglage est mis sur "CLOSE" même si le moteur est réchauffé.	Mettre sur "OPEN"
	Colmatage du filtre à carburant	Nettoyer
	Filtre à air sale ou colmate	Nettoyer
	Carburateur anormal	Faire une demande de contrôle et de maintenance
	Système de commande anormal	Faire une demande de contrôle et de maintenance
La lame de coupe ne tourne pas ↓ Arrêter le moteur toute de suite	Ecrou lâche de serrage de la lame de coupe	Serrer fermement
	Rameaux accrochés par lame de coupe ou couvercle preventif de dispersion	Enlever les matières étrangères
	Système de commande anormal	Faire une commande de contrôle et de maintenance
Le bloc principal vibre anormalement. ↓ Arrêter le moteur toute de suite	Lame de coupe rompue, pliée ou usée	Remplacer la lame de coupe
	Desserrement de l'ecrou de serrement de la lame de coupe	Resserrer fermement
	Deplacement de la partie convexe de la lame de coupe et du raccord supportant la lame de coupe	Reposer fermement
	Système de commande anormal	Faire une commande de contrôle et de maintenance
La lame n'arrête pas toute de suite ↓ Arrêter le moteur toute de suite	Grande vitesse de rotation au ralenti	Ajuster
	Fil d'étranglement déposé	Reposer fermement
	Système de commande anormal	Faire une commande de contrôle et de maintenance
Le moteur n'arrête pas ↓ Faire marcher le moteur au ralenti, et mettre le levier de réglage sur "CLOSE"	Connecteur déposé	Reposer fermement
	Système électrique anormal	Faire une commande de contrôle et de maintenance

Lorsque le moteur ne démarre pas après réchauffage :

S'il n'y a pas aucune anomalie pour les points de vérification, ouvrir le levier d'étranglement par un tiers, et démarrer le moteur.

Wir danken Ihnen für Ihre Kaufentscheidung zugunsten der MAKITA Motorsense. Die MAKITA Motorsense ist das Resultat eines langen Entwicklungsprogramms und unserer jahrelangen Erfahrung auf diesem Gebiet.

Um sich mit dem Gerät vertraut zu machen und alle Anweisungen richtig auszuführen, lesen Sie bitte dieses heft aufmerksam durch. Es enthält ausführliche Beschreibungen der zahlreichen Funktionen dieses Gerätes und soll Ihnen dabei helfen, die hervorragende Leistung Ihrer MAKITA Motorsense voll auszuschöpfen.



Inhaltsverzeichnis

Seite

Symbole 44
 Sicherheitsvorschriften 45-48
 Technische Daten 50
 Bezeichnung der Teile 51
 Montage des Motors und der Antriebswelle 52-53
 Montage des Griffes 54
 Montage der Schutzhaube 54
 Montage des Schlagmessers 54
 Vor Inbetriebnahme des Gerätes 55-56
 Inbetriebnahme und Abstellen des Motors 57-58
 Nachschärfen des Schneidwerkzeuge 58
 Wartungsvorschriften 59-61
 Lagerung 62-63
 Störungssuche 64

Symbole

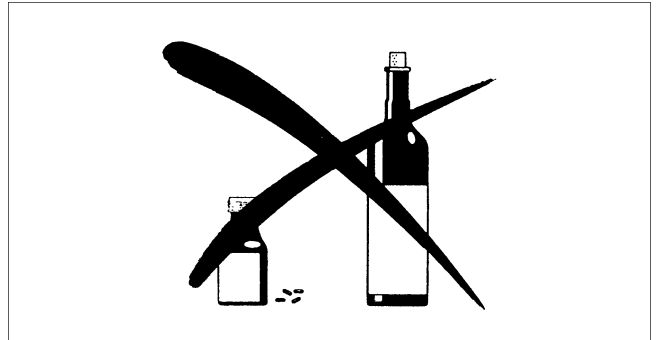
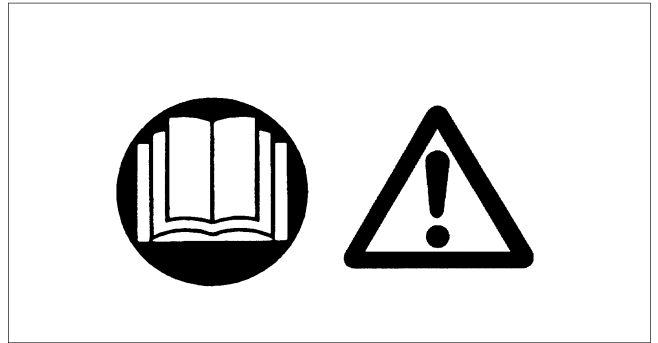
Beim Durchlesen dieser Betriebsanleitung werden Sie den folgenden Symbolen begegnen.

	Betriebsanleitung lesen, verstehen und befolgen		Schutzhelm, Augen- und Ohrenschutz tragen
	WARNUNG/GEFAHR/VORSICHT		Höchste zulässige Werkzeuggeschwindigkeit
	Verboten		Kraftstoff (Benzin)
	Abstand halten		Motor — Manuelles Starten
	Gefahr von fliegenden Objekten		Notstopp
	Nicht rauchen		Erste Hilfe
	Keine offenen Flammen		Recycling
	Schutzhandschuhe tragen		EIN/START
	Rückschlag (nur zutreffend für Motorsense)		AUS/STOPP
	Arbeitsbereich von Personen und Tieren freihalten		CE-Marke

SICHERHEITSVORSCHRIFTEN

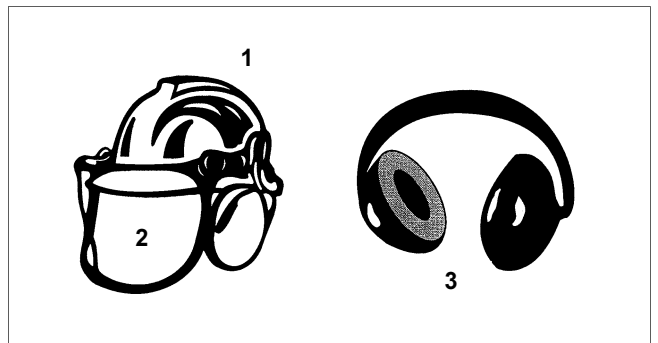
Allgemeine Vorschriften

- Um sich mit der Handhabung der Motorsense vertraut zu machen und ihren korrekten Betrieb zu gewährleisten, muß der Benutzer diese Betriebsanleitung durchlesen und die darin enthaltenen Anweisungen verstehen und befolgen. Ungenügend informierte Benutzer gefährden sich selbst und andere durch unsachgemäße Handhabung.
- Die Motorsense sollte nur an Personen verliehen werden, die nachweislich Erfahrung im Umgang mit Motorsensen haben. Händigen Sie mit der Motorsense auch stets die Betriebsanleitung aus.
- Benutzen Sie die Motorsense nur mit allen Schutzvorrichtungen angebracht.
- Erstbenutzer sollten sich vom Händler die grundsätzliche Bedienung erklären lassen, um sich mit der Handhabung einer motorgetriebenen Sense vertraut zu machen.
- Kindern und Jugendlichen unter 18 Jahren darf der Betrieb der Motorsense nicht erlaubt werden. Personen über 16 Jahre dürfen das Gerät jedoch zu Übungszwecken benutzen, während sie unter der Aufsicht eines qualifizierten Ausbilders sind.
- Lassen Sie bei Benutzung von Motorsense äußerste Vorsicht und Aufmerksamkeit walten.
- Betreiben Sie die Motorsense nur bei gutem Gesundheitszustand. Führen Sie alle Arbeiten gewissenhaft und sorgfältig aus. Der Benutzer muß die Haftung für andere übernehmen.
- Benutzen Sie die Motorsense niemals unter dem Einfluß von Alkohol oder Drogen.
- Benutzen Sie das Gerät nicht, wenn Sie müde sind.
- Bewahren Sie diese Vorschriften für spätere Bezugnahme auf.



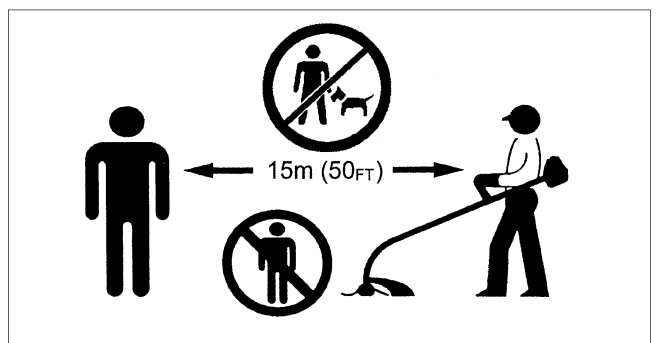
Persönliche Schutzausrüstung

- Die Kleidung sollte funktionell und passend sein, d.h., sie sollte eng anliegen, aber nicht hinderlich sein. Tragen Sie keinen Schmuck, Kleidung oder lange Haare, die an Büschen oder Sträuchern hängenbleiben können.
- Um Kopf-, Augen-, Hand- oder Fußverletzungen zu verhüten und Ihr Gehör zu schützen, muß die folgende Schutzausrüstung und Schutzkleidung während des Betriebs der Motorsense verwendet werden.
- Tragen Sie beim Arbeiten im Wald stets einen Helm. Der Schutzhelm (1) muß regelmäßig auf Beschädigung überprüft und spätestens nach 5 Jahren ersetzt werden. Verwenden Sie nur zugelassene Schutzhelme.
- Das Visier (2) des Helms (oder wahlweise eine Schutzbrille) schützt das Gesicht vor hochgeschleuderten Ästen, Steinen oder anderen Objekten. Tragen Sie während des Betriebs der Motorsense stets eine Schutzbrille oder ein Visier, um Augenverletzungen zu verhüten.
- Tragen Sie insbesondere bei längeren Arbeitszeiten geeignete Lärmschutzvorrichtungen (Kapselgehörschützer (3), Ohropax usw.), um Schwerhörigkeit vorzubeugen.
- Ein Arbeitsoverall (4) schützt vor hochgeschleuderten Steinen und Splintern. Daher ist das Tragen eines Arbeitsoveralls wärmstens zu empfehlen.
- Spezialhandschuhe (5) aus dickem Leder sind ebenfalls ein Teiler der vorgeschriebenen Ausrüstung und müssen stets während des Betriebs der Motorsense getragen werden.
- Tragen Sie bei der Benutzung der Motorsense stets stabile Schuhe (6) mit rutschfester Sohle. Diese schützen vor Verletzungen und gewährleisten guten Halt.



Starten der Motorsense

- Vergewissern Sie sich bitte, daß sich keine Kinder oder andere Personen innerhalb eines Arbeitsbereiches von 15 m befinden, und achten Sie auch auf Tiere in der Nähe des Arbeitsplatzes.
- Vergewissern Sie sich vor der Benutzung stets, daß sich die Motorsense in betriebs sicherem Zustand befindet: Überprüfen Sie das Schlagmesser auf sichere Befestigung. Vergewissern Sie sich, daß die Befestigungsmutter des Schlagmessers fest angezogen ist. Überprüfen Sie den Gashebel auf Leichtgängigkeit und die Gashebelarretierung auf einwandfreies Funktionieren. Das Schlagmesser darf sich bei Leerlaufdrehzahl nicht drehen. Lesen Sie die Anweisungen zur LeerlaufEinstellung auf Seite 58 sind, und überprüfen Sie die Funktion des halten-Schalters. Halten Sie die Griffe von Öl und Kraftstoff frei.
- Vergewissern Sie sich vor dem Betrieb von den lokalen Vorschriften über Lärmpegel und Betriebsstunden und befolgen Sie diese.
- Starten Sie die Motorsense nur wenn sie auf dem Boden liegt.
- Starten Sie die Motorsense nicht mit der Unterseite nach oben.



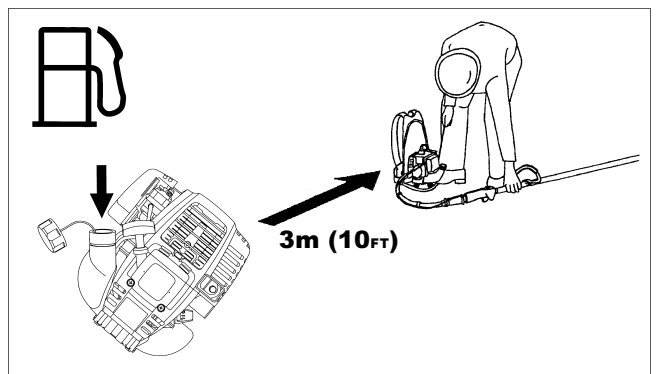
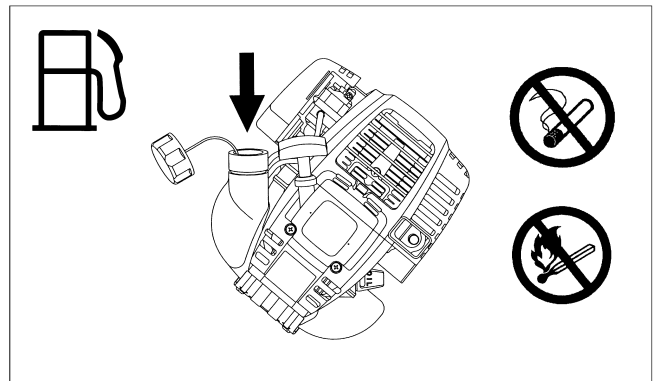
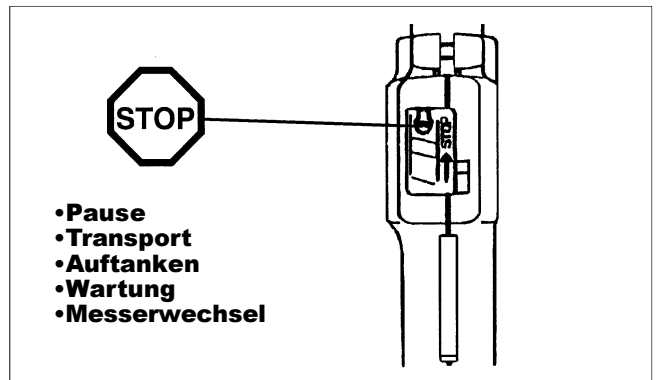
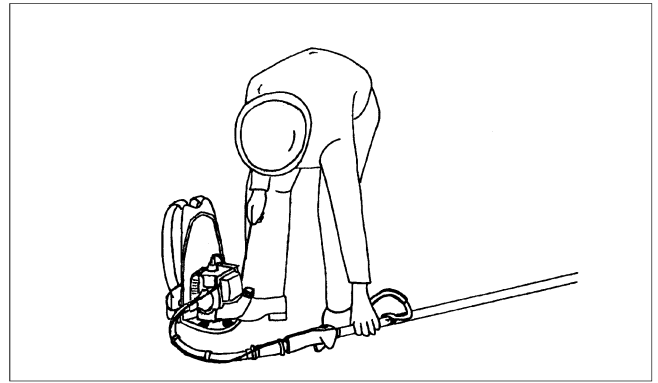
Gehen Sie zum Starten der Motorsense genau nach den Anweisungen in der Betriebsanleitung vor.

Benutzen Sie keine anderen Methoden zum Starten des Motors!

- Benutzen Sie Motorsense und die Werkzeuge nur für die angegebenen Verwendungszwecke.
- Lassen Sie den Motor erst nach vollständigem Zusammenbau der Motorsense an. Der Betrieb des Gerätes ist nur dann zulässig, wenn alle dazugehörigen Teile angebracht worden sind!
- Vergewissern Sie sich vor dem Starten daß das Schlagmesser keinen Kontakt mit harten Gegenständen (z.B. Äste, Steine usw.) hat.
- Im Falle von Motorstörungen ist der Motor unverzüglich zu stellen.
- Sollte das Schlagmesser auf Steine oder andere harte anzuhalten. Gegenstände treffen, ist der Motor unverzüglich anzuhalten und das Schlagmesser zu überprüfen.
- Überprüfen Sie das Schlagmesser in regelmäßigen, kurzen Abständen auf Beschädigung (Untersuchung auf Haarrisse durch Abkloppprüfung).
- Ein vertraut klingender Ton muß zu hören sein.
- Betreiben Sie die Motorsense nur mit angebrachtem Tragegurt, der vor der Inbetriebnahme der Motorsense auf die passende Länge einzustellen ist. Es ist wichtig, den Tragegurt auf die Größe des Benutzers einzustellen, um Ermüdung während des Betriebs oder Verlust der Kontrolle über das Gerät zu vermeiden. Halten Sie die Motorsense während des Betriebs niemals nur mit einer Hand.
- Halten Sie die Motorsense während des Betriebs stets mit beiden Händen. Achten Sie stets auf sicheren, ausgeglichenen Stand.
- Betreiben Sie die Motorsense so, daß das Einatmen der Abgase vermieden wird. Lassen Sie den Motor niemals in einem geschlossenen Raum laufen (Gefahr der Gasvergiftung). Kohlenmonoxid ist ein geruchloses Gas. Vergewissern Sie sich stets, daß ausreichende Belüftung vorhanden ist.
- Halten Sie stets den Motor an, wenn Sie eine Pause einlegen und die Motorsense bzw. den Fadentrimmer unberufsichtigt lassen. Bewahren Sie sie an einem sicheren Ort auf, um Gefährdung anderer Personen, Entzündung brennbarer Materialien oder Beschädigung der Maschine zu vermeiden.
- Legen Sie die Motorsense in heißem Zustand niemals auf trockenes Gras oder andere brennbare Materialien.
- Das Schlagmesser muß stets mit der vorgeschriebenen Schutzhaube abgedeckt werden. Betreiben Sie die Motorsense niemals ohne diese Schutzhaube!
- Alle mit der Maschine gelieferten Schutzeinrichtungen und Abdeckungen müssen während des Betriebs angebracht sein.
- Betreiben Sie den Motor niemals mit defektem Auspuffschalldämpfer.
- Transportieren Sie die Motorsense nur mit angehaltenem Motor.
- Beim Transport über größere Entfernungen muß stets der mitgelieferte Messerschutz angebracht werden.
- Positionieren Sie die Motorsense für Transport in einem Auto oder einem Lastwagen in aufrechter Stellung und fixieren Sie die Maschine, um Beschädigung zu verhüten.
- Vergewissern Sie sich vor dem Transport der Motorsense, daß der Kraftstoffank vollkommen leer ist, um Auslaufen von Kraftstoff zu verhüten.

Auftanken

- Handhaben Sie Kraftstoff vorsichtig, um das Risiko von Feuer und Verdrehungen zu verringern. Kraftstoff ist sehr leicht entflammbar.
- Beim Auftanken den Motor anhalten, von offenen Flammen fernbleiben und nicht rauchen.
- Hautkontakt mit Mineralölprodukten vermeiden. Keine Kraftstoffdämpfe einatmen. Beim Auftanken stets Schutzhandschuhe tragen. Schutzkleidung in regelmäßigen Abständen wechseln und reinigen.
- Achten Sie darauf, daß Sie weder Kraftstoff noch Öl verschütten. Lassen Sie nasse Kleidung trocknen, bevor Sie sie in geeignete, abdeckbare Behälter legen, um Selbstentzündung zu vermeiden. Wischen Sie das Gerät immer trocken, bevor Sie den Motor starten.
- Achten Sie darauf, daß Ihre Kleidung nicht mit Kraftstoff in Kontakt kommt. Wechseln Sie die Kleidung unverzüglich, falls Kraftstoff darüber verschüttet worden ist (Lebensgefahr).
- Überprüfen Sie den Tankverschluß in regelmäßigen Abständen, um sich zu vergewissern, daß er einwandfrei befestigt werden kann.
- Ziehen Sie die Sicherungsschraube des Kraftstoffanks sorgfältig fest. Wechseln Sie den Ort, um den Motor anzulassen (mindestens 3 m Abstand vom Betankungsort).
- Tanken Sie niemals in geschlossenen Räumen. Kraftstoffdämpfe können sich in Bodennähe sammeln (Explosionsgefahr).
- Kraftstoff darf nur zugelassenen Behältern transportiert und gelagert werden. Lagern Sie Kraftstoff an einem für Kinder unzugänglichen Ort.
- Unterlassen Sie das Auftanken der Motorsense bei noch heißem oder laufendem Motor.
- Verwenden Sie für das Kraftstoff-Öl-Gemisch nur Benzin, das weder Ethanol noch Methanol (Alkohol) enthält, um Beschädigung von Kraftstoffleitungen und anderen Motorteilen zu vermeiden.



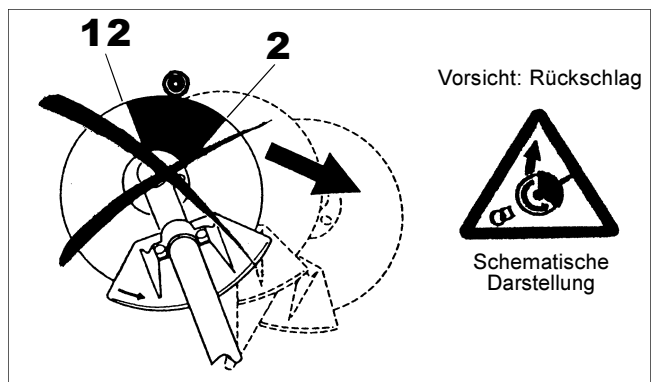
Vorsichtsmaßnahmen beim Betrieb

- Benutzen Sie die Motorsense nur bei guten Licht- und Sichtverhältnissen. Hüten Sie sich während der kalten Jahreszeit vor schlüpfrigen oder nassem Untergrund, Eis und Schnee (Rutschgefahr). Achten Sie sich nicht. Achten Sie stets auf sicheren Stand.
- Übernehmen Sie stets auf einwandfreien Stand, Balance und Handführung des Gerätes.
- Mähen Sie niemals höher als die Hüfte.
- Betreten Sie die Motorsense niemals auf einer Leiter stehend.
- Klettern Sie niemals auf Bäume, um Schneidarbeiten mit der Motorsense auszuführen.
- Arbeiten Sie niemals auf unstabilen Oberflächen oder steilem Gelände.
- Räumen Sie den Arbeitsbereich vor dem Mähen von allen Körper, Steinen, Nägeln kaputte Glass, Drahseil usw. Fremdkörper können das Schlagmesser beschädigen, gefährliche Rückschläge verursachen oder auf gefährliche Weise umhergeschleudert werden.
- Beginnen Sie erst mit dem Mähen, nachdem das Schlagmesser seine volle Arbeitsdrehzahl erreicht hat.
- Betreiben Sie dieses Gerät niemals umgedreht oder in extremer Schräglage.
- **!WARNUNG!** – Das Schlagmesser stellt auch noch beim Auslaufen des Motors bis zum Stillstand eine Gefahr dar.



Rückschläge

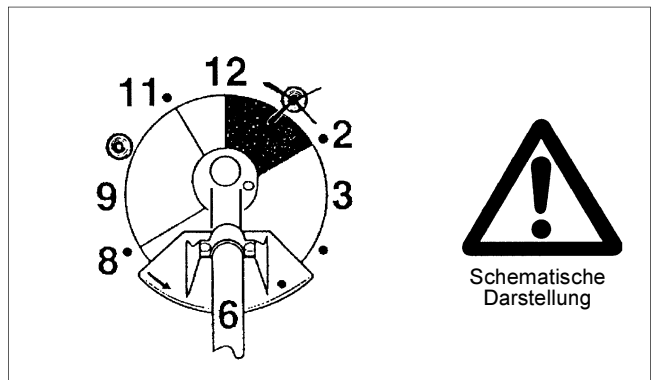
- Während des Betriebs der Motorsense können unkontrollierte Rückschläge auftreten.
- Dies ist besonders dann der Fall, wenn Sie versuchen, innerhalb des Messersegments zwischen der 12- und 2-Uhr-Stellung (vom Bediener aus gesehen) zu mähen.
- Setzen Sie dieses Segment des Schlagmessers niemals an feste Objekte, wie Büsche, Stümpfe, Bäume und dergleichen an, die einen Durchmesser von mehr als 3 cm aufweisen.
- Die Motorsense wird dann mit großer Wucht und Geschwindigkeit abgelenkt, was schwere Verletzungen des Benutzers zur Folge haben kann.
- Setzen Sie die Motorsense niemals in dem Bereich zwischen der 12- und 2-Uhr-Stellung an.



Verhütung von Rückschlägen

Um Rückschläge zu verhüten, beachten Sie folgendes:

- Der Betrieb innerhalb des Messersegments zwischen der 12- und 2-Uhr-Stellung stellt eine eindeutige Gefahr dar, insbesondere bei Verwendung von Metall-Schlagmessern. Selbst bei Benutzung dieser Motorsense innerhalb der Messersegmente zwischen der 11- und 12-Uhr-Stellung sowie der 2- und 5-Uhr-Stellung besteht die potentielle Gefahr von Rückschlägen.
- Schneidarbeiten innerhalb der Messersegmente zwischen der 11- und 12-Uhr-Stellung sowie der 2- und 5-Uhr-Stellung dürfen nur von geübten und erfahrenen Personen ausgeführt werden, und dann auch nur auf eigenes Risiko. Problemloses Mähen ohne nennenswerte Rückschläge ist innerhalb des Messersegments zwischen der 8- und 11-Uhr-Stellung möglich.



Schneidwerkzeuge

Verwenden Sie stets das korrekte Schneidwerkzeug für die anstehende Arbeit.

Schlagmessers (4-Zahn-Schlagmesser, 8-Zahn-Wirbelblatt)

Dieses Messer dient zum Mähen dicker Materialien, wie Unkraut, hohes Gras, Büsche, Sträucher, Unterholz, Dickicht usw. (max. 2 cm Durchmesser).

Führen Sie diese Schneidarbeit aus, indem Sie die Motorsense in gleichmäßigen Halbkreisen von rechts nach links schwenken (ähnlich wie eine Sense).

Wartungsvorschriften

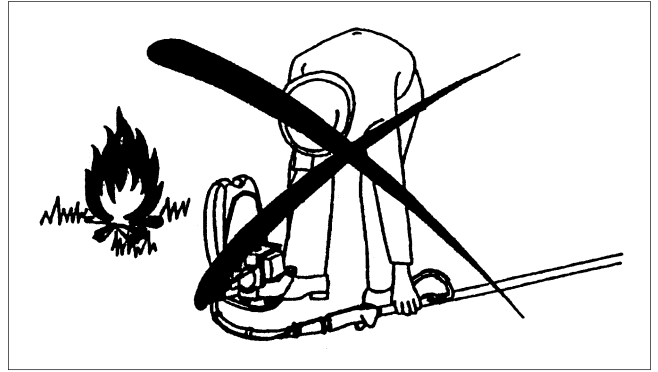
- Der Zustand der Motorsense, insbesondere des Schlagmessers, der Schutzeinrichtungen und auch des Tragegurtes, muß vor Beginn der Arbeit überprüft werden. Besondere Aufmerksamkeit ist den Schlagmessern zu schenken, die vorschriftsmäßig geschärft werden müssen.
- Zum Auswechseln oder Schärfen des Schlagmessers und auch zum Reinigen der Motorsense oder des Schlagmessers stets den Motor abstellen und den Zündkerzenstecker abziehen.



Niemals beschädigte Schlagmesser geraderichten oder schweißen.

- Arbeiten Sie umweltbewußt. Betreiben Sie die Motorsense mit möglichst wenig Lärm und Umweltverschmutzung. Achten Sie besonders auf eine korrekte Vergasereinstellung.
- Reinigen Sie die Motorsense in regelmäßigen Abständen und vergewissern Sie sich, daß alle schrauben und Muttern einwandfrei angezogen sind.
- Die Motorsense darf auf keinen Fall in der Nähe von offenen Flammen, Funken usw. gewartet oder gelagert werden.
- Lagern Sie die Motorsense stets mit leerem Kraftstofftank in einem gut belüfteten und abschließbaren Raum.

Beachten Sie die von den entsprechenden Berufsgenossenschaften und Versicherungsgesellschaften herausgegebenen relevanten Unfallverhütungsvorschriften. Nehmen Sie keine Änderungen an der Motorsense vor, weil dadurch Ihre Sicherheit gefährdet wird.



Die Durchführung von Wartungs- oder Reparaturaarbeiten durch den Benutzer beschränkt sich auf die in dieser Betriebsanleitung beschriebenen Arbeiten. Alle übrigen Arbeiten sind von einer Vertragswerkstatt auszuführen.

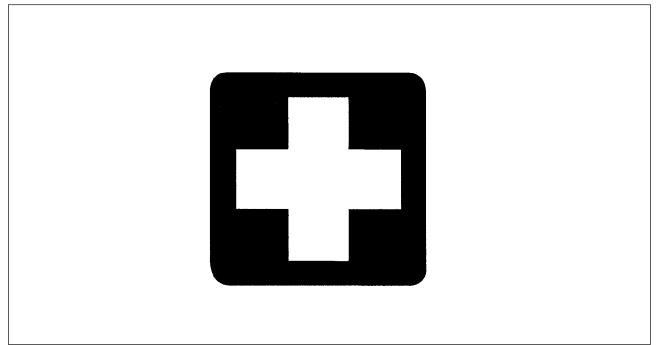
Benutzen Sie nur MAKITA gelieferte Original-Ersatz- und Zubehörteile. Die Verwendung nicht zugelassener Zubehörteile und Werkzeuge bedeutet erhöhte Unfall- und Verletzungsgefahr. MAKITA übernimmt keine Haftung für Unfälle oder Schäden die durch die Verwendung nicht zugelassener Schlagmesser, Befestigungsteile von Schlagmessern oder Zubehörteile verursacht wurden.

Erste Hilfe

Sorgen Sie dafür, daß für den Fall eines Unfalls ein voll ausgestatteter Verbandskasten in der Nähe des Arbeitsplatzes vorhanden ist. Aus dem Verbandskasten entnommene Gegenstände sind sofort durch neue zu ersetzen.

Wenn Sie einen Unfall melden, machen Sie bitte folgende Angaben:

- Ort des Unfalls
- Hergang des Unfalls
- Anzahl der verletzten Personen
- Art der Verletzungen
- Ihr Name



Verpackung

Die MAKITA Motorsense wird in zwei Schuttkartons geliefert, um Beschädigung während des Transports zu vermeiden. Karton ist ein Grundrohstoff und kann daher wiederverwendet oder wiederaufbereitet werden (Altpapier-Recycling).



EG-Konformitätserklärung

Der Unterzeichnete, der nachstehenden Hersteller bzw. Inverkehrbringer

Makita Corporation
3-11-8, Sumiyoshi-cho, Anjo, Aichi, JAPAN
(Hersteller)

sowie

Makita International Europe Ltd.
Michigan Drive, Tongwell, Milton Keynes, Bucks MK15 8JD, ENGLAND
(authorisierter Repräsentant in Europa)

vertritt, erklärt hiermit, daß das Produkt

Makita Blasgerät
Modell; EBH341R

in Übereinstimmung ist mit den Bestimmungen der nachstehenden EG-Richtlinie(n)
einschließlich aller zutreffenden Änderungen:

- Richtlinie des Rates zur Angleichung der Rechtsvorschriften der Mitgliedstaaten für Maschinen 89/336/EWG, abgeändert durch 93/68/EWG und in der Folge ersetzt durch 98/37/EG
- Richtlinie des Rates zur Angleichung der Rechtsvorschriften der Mitgliedstaaten über die elektromagnetische Verträglichkeit 89/336/EWG, abgeändert 92/31/EWG

und daß folgende Normen und/oder technische Spezifikationen zur Anwendung gelangt sind:

ISO14865, ISO14740, EN55012

Gemessene Lautstärke: 108.4 dB

Garantierte maximale Lautstärke: 113.3 dB

Diese Lautstärkepegel sind in Übereinstimmung mit der Richtlinie 2000/14/EC des europäischen Parlaments und des Rates vom 8. Mai 2000 gemessen worden.

Interne Fertigungskontrolle gemäß Anhang V der Richtlinie 2000/14/EC.



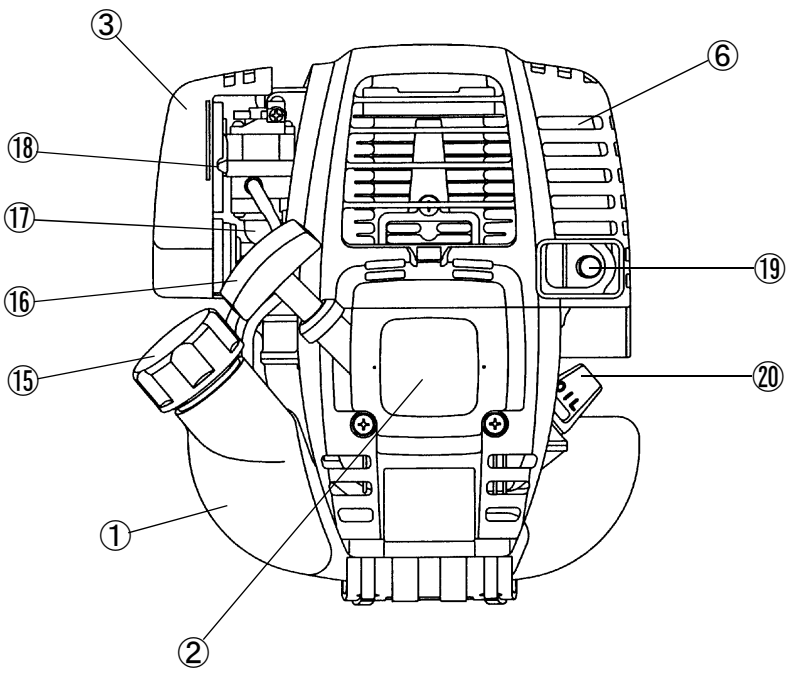
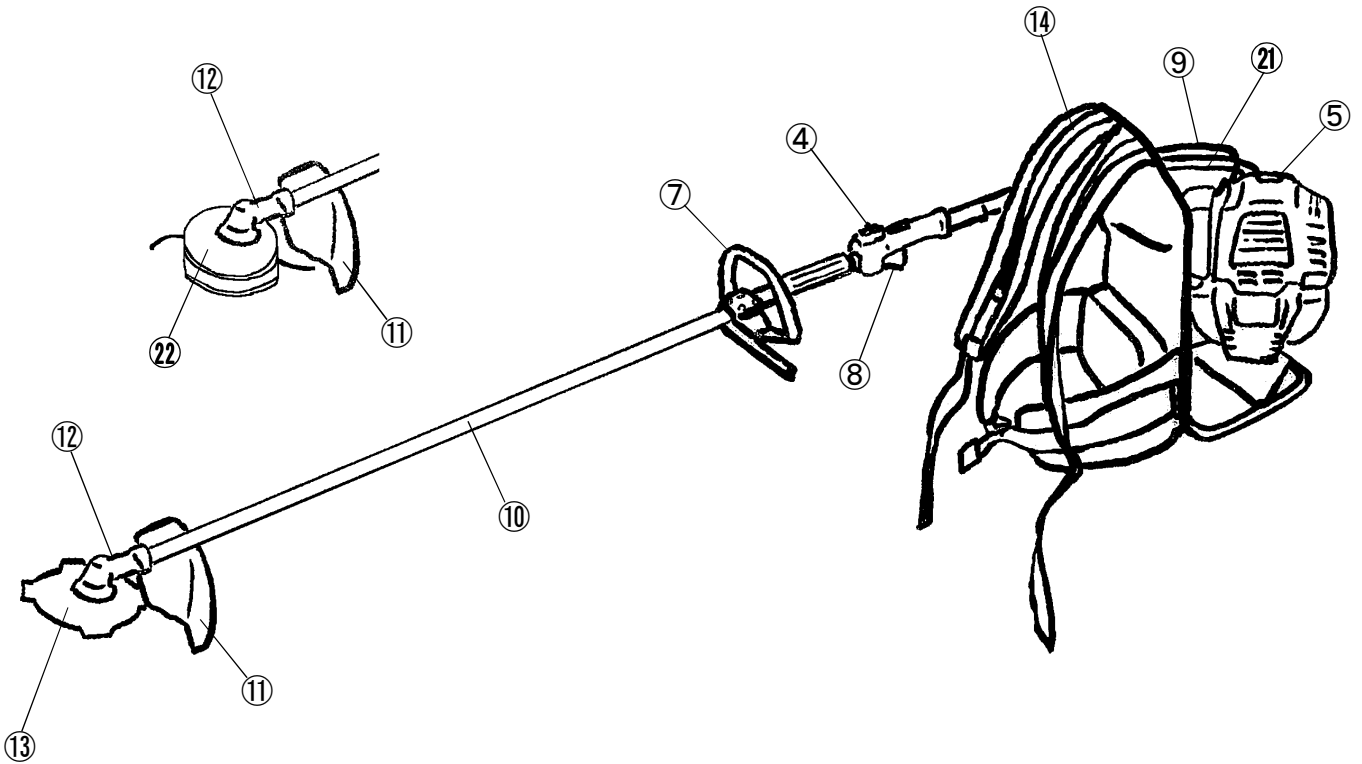
Tomoyasu Kato
Direktor

TECHNISCHE DATEN

Modell		EBH341R			
		der Kreis-Griff			
		Schlagmesser	Nylonfaden-Schneidkopf		
Abmessungen: Länge x Breite x Höhe(ohne Schlagmesser)		mm	430 x 280 x 430		
Gewicht (ohne Rahr Länge)		kg	10.2		
Füllmenge (ohne Plasthaube und Schlagmesser)		L	0.65		
Schneidezusatzgeräte (Schneidblatt d.)		mm	255		
Hubraum		cm ³	33.5		
Maximale Motorleistung		kw	1.07 bei 7000 min ⁻¹		
Motordrehzahl bei empfohlener max. Spindeldrehzahl		min ⁻¹	10000		
Maximale Spindeldrehzahl (entsprechend)		min ⁻¹	7500		
Kraftstoffverbrauch		kg/h	0.458		
Spezifischer Kraftstoffverbrauch		g/kwh	426		
Leerlaufdrehzahl		min ⁻¹	3000		
Kupplungseinrückdrehzahl		min ⁻¹	4100		
Vergaser (Membran-Vergaser)		type	WALBRO WYL		
Zündsystem		type	Transistorzündung		
Zündkerze		type	NGK CMR6A		
Elektrodenabstand		mm	0.7 – 0.8		
Schwingungen nachi ISO 7916 ¹⁾	Rechter Griff (Hinterer Griff)	Leerlauf	m/s ²	0.6	0.7
		Hochdrehen oder Vollast	m/s ²	4.0	5.59
	Linker Griff (Vorderer Griff)	Leerlauf	m/s ²	0.85	0.82
		Hochdrehen oder Vollast	m/s ²	4.78	8.12
Schalldruckpegel Durchschnitt gemäß ISO 7917 ¹⁾		dB	89.3	97.1	
Schalleistungspegel Durchschnitt gemäß ISO 10884 ¹⁾		dB	104.3	108.4	
Kraftstoff		Bleifreies Normalbenzin			
Motorenöl		SAE 10-W-30-Öl der API-Klassifizierung, SF-Klasse oder höher (für 4-Takt-Automotoren)			
Übersetzungsverhältnis		15/20			

1) Die Daten berücksichtigen gleichermaßen die Betriebsarten bei Leerlauf und Hochdrehen oder ganz geöffneter Drosselklappe.

BEZEICHNUNG DER TEILE



D	BEZEICHNUNG DER TEILE
1	Kraftstofftank
2	Starter mit Rücklauf
3	Luftreiniger
4	I-O-Schalter (Ein/Aus)
5	Zündkerze
6	Auslaß-Schalldämpfer
7	Handgriff
8	Bedienungshebel
9	Gaszug
10	Welle
11	Schutz
12	Getriebekasten
13	Schneidblatt
14	Tragegurt
15	Tankverschluß
16	Starterseil
17	Außenspritzpumpe
18	Choke-Hebel
19	Auslaßrohr
20	Ölmessstab
21	Biegsam Rohr
22	Nylonfaden-Schneidkopf

MONTAGE DES MOTORS UND DER ANTRIEBSWELLE

VORSICHT: Stellen Sie vor der Durchführung von Arbeiten an der Motorsense stets den Motor ab, und ziehen Sie den Zündkerzenstecker von der Zündkerze ab. Hüten Sie vor heißen Motorteilen und scharfen Messerkanten. Tragen Sie stets Schutzhandschuhe!

VORSICHT: Die Motorsense darf erst angelassen werden, nachdem sie vollständig zusammengebaut worden ist.

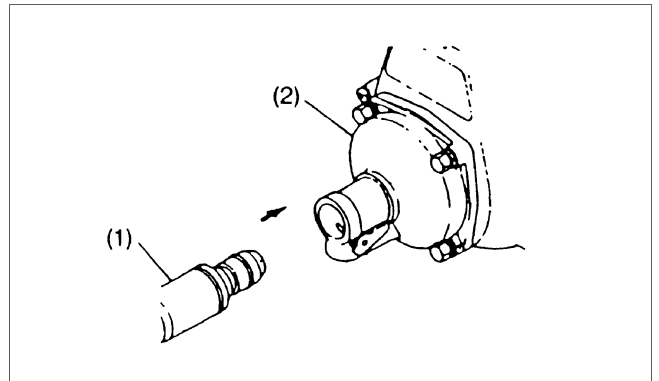


1. Anschluß der flexiblen Welle an Motor und Wellengehäusehalter

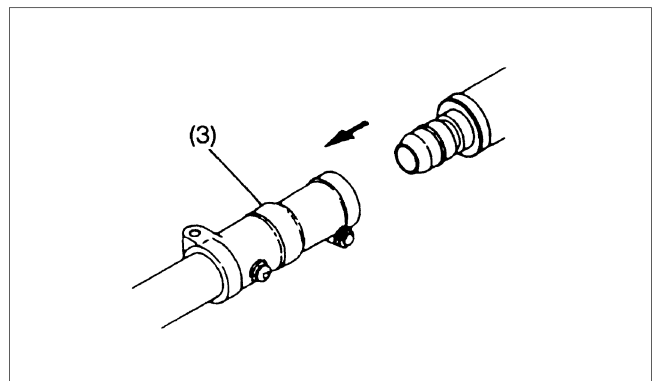
Schieben Sie das eine Ende der flexiblen Welle (1) in das Kupplungsgehäuse (2) am Motor, bis es mit einem leisen klickenden Geräusch einrastet.

Schieben Sie das andere Ende der flexiblen Welle in den Wellengehäusehalter (3) der Motorsense, bis es einrastet. Es ist egal, welches Ende der flexiblen Welle Sie an den Motor anschließen.

Achten Sie darauf, daß das viereckige Anschlußstück der flexiblen Welle in die Aussparung der Antriebswelle paßt.

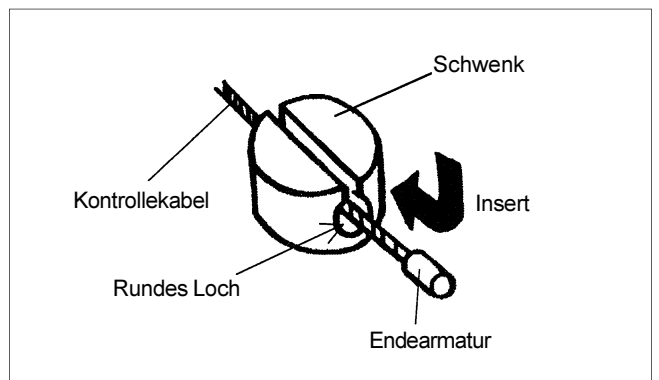
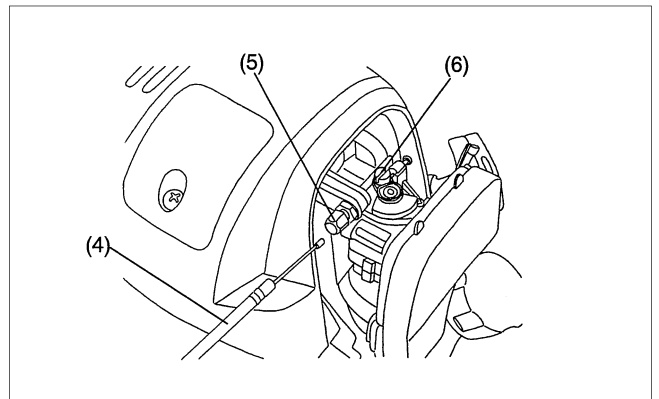


Achtung : Wenn es schwierig ist, die flexible Welle richtig einzuschieben, sitzt das viereckig Ende der flexiblen Welle möglicherweise nicht richtig in der Antriebswelle. Wenden Sie keine Gewalt an, da hierdurch das Ende der flexiblen Welle beschädigt werden kann. Wiederholen Sie das gleiche Verfahren, bis die flexible Welle richtig angeschlossen ist.



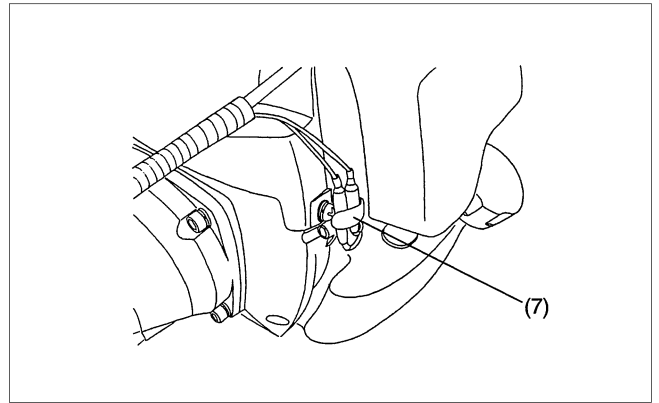
2. Montage des Kontrollkabel

- Nehmen Sie die Luftfilterdecke ab.
- Setzen Sie das Kontrollkabel (4) in einen regulierbolzen (5) ein, und verschieben Sie den Schwenk (6) so daß das Kabel will in der Schwenkkrille gesetzt werden. Zu der Zeit, will die runde Lochseite von dem Schwenk auf die Innendrahtende-Metallvorrichtung orientiert werden.
- Befreien Sie den Schwenk, und bestätigen Sie daß die Innendrahtende-Metallvorrichtung in das Loch werden eingesetzt will.
- Montieren Sie die Luftfilterdecke.



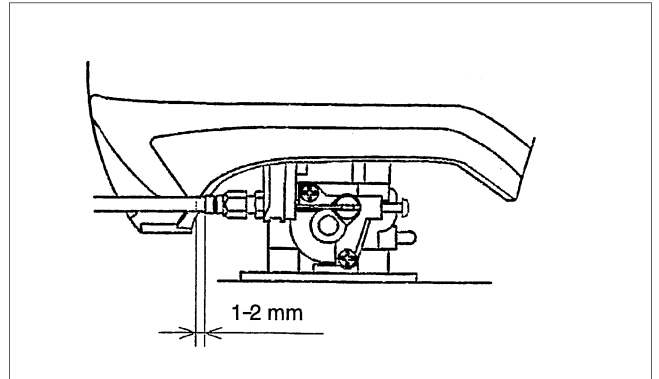
Verbindung der Schaltschnur

- Verbinden Sie die Schaltschnüre zu den zwei Schnüre vom Motor durch einsetzend eine in die andere.
- Befestigen Sie den Schnurstecker oder mit Klammer (7).

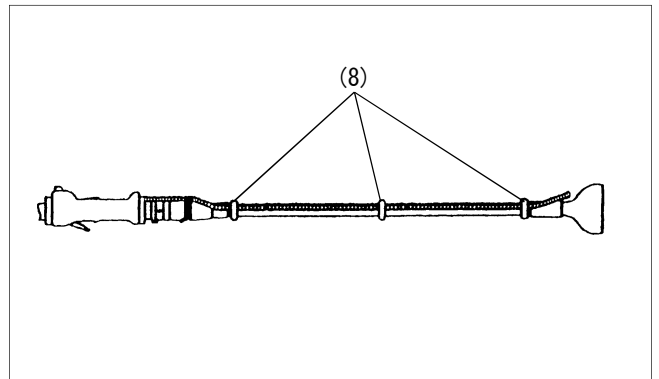


Einstellung des Kontrollkabel

- Stellen Sie das Kontrollkabel mit dem Regulierbolzen ein so daß es ein 1 bis 2 mm Spiel haben will wenn der Gashebel auf die niedrige Geschwindigkeitposition mit dem Vergaserregulierbolzen gestellt wird. (Achten Sie darauf, daß das Schneidmesser will nicht arbeiten.)



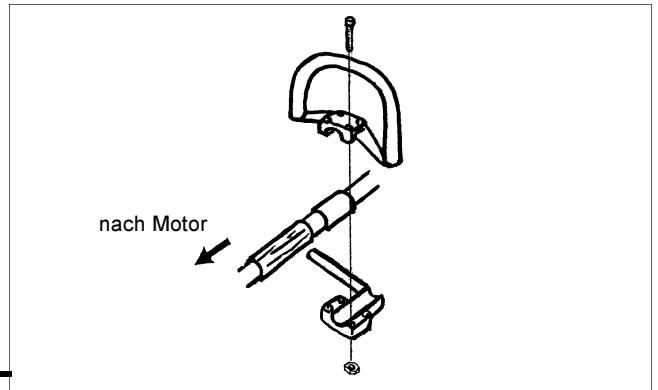
Leiten Sie den Gashebeldraht und die I-O-Schalterkabel entlang der flexiblen Welle, und fixieren Sie sie an drei Punkten sicher mit Bindendraht (8). Wenn Sie den Gashebeldraht und die Stop-Schalterkabel nicht sicher befestigen, besteht die Gefahr, daß sie sich an Ästen verfangen können, was gefährlich ist.



MONTAGE DES GRIFFES



- Fixen ein Hindernis nach die Linke von dus Maschine zumammen mit das Handhube für Engenieur Schutz
- Nicht einstellen Stelle von derkreis Handhube für Kontrolle Griff wahren nicht unter 25 cm Entfernung zwischen das Handhube und der Griff.
(Für diesen Zweck ist ein Abstandstück vorhanden.)



MONTAGE DER SCHUTZHAUBE

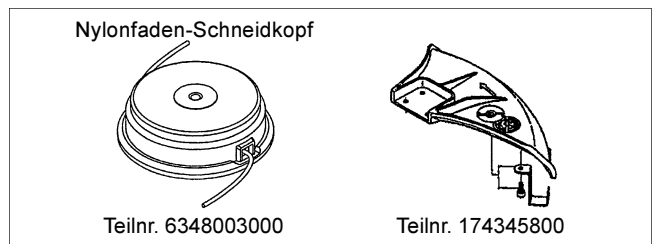
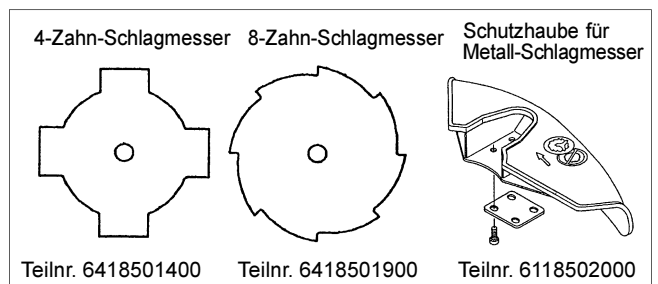
Um die zutreffenden Sicherheitsbestimmungen zu erfüllen, dürfen nur die in der Tabelle angegebenen Messer/Schutzhaube-Kombinationen verwendet werden. Bei Nichtbeachtung besteht erhöhte Verletzungs- oder Lebensgefahr für den Benutzer oder Umstehende.

Verwenden Sie nur Original-MAKITA-Schlagmesser oder Nylon-faden-Schneidköpfe.

- Das Schlagmesser muß gut poliert und frei von Rissen oder Bruchstellen sein. Falls das Schlagmesser während des Betriebs auf irgendwelche harten Gegenstände oder Steine trifft, sofort den Motor abstellen und das Schlagmesser überprüfen.
- Das Schlagmesser nach jeweils drei Betriebsstunden polieren und schäefen oder auswechseln.
- Der Außendurchmesser des Schlagmessers darf 255 mm (10-1/32") nicht überschreiten. Niemals Schlagmesser verwenden, deren Außendurchmesser 255 mm (10-1/32") überschreitet.

VORSICHT: Aus Sicherheitsgründen und zur Einhaltung der Unfallverhütungsvoeschriften muß stets die passende Schutzhaube angebracht werden. Der Betrieb des Gerätes ohne die vorschriftsmäßig angebrachte Schutzhaube ist nicht erlaubt.

- Fixieren Sie einen Schutz sicher mit vier Schrauben am Getriebegehäuse.
- Verwenden Sie die Motorsense niemals ohne einen Schutz oder mit einem beschädigten Schutz.



MONTAGE DES SCHLAGMESSERS ODER NYLONFADEN-SCHNEIDKOPF

Drehen Sie das Gerät um, so daß das Oberteil nach unten zeigt. Jetzt können Sie das Schlagmesser oder den Nylonfaden-Schneidkopf mühelos auswechseln.

Montage des Schlagmesser

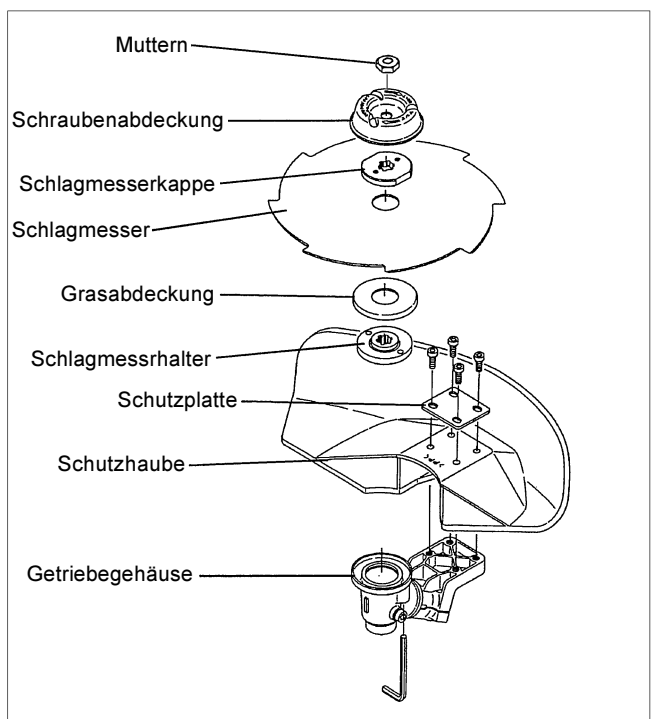
- Ein Schlagmesser und die anderen Teile in der in der Abbildung gezeigten Reihenfolge fixieren. Eine Stange oder einen Inbusschlüssel in das Loch im Getriebegehäuse einschieben, bis das Schlagmesser verriegelt ist und sich nicht dreht. Die muttern mit einem Kombischlüssel gegen den Uhrzeigersinn anziehen.
(Bitte beachten Sie, daß die Muttern Linksgewinde hat und entgegengesetzt zu einer normalen muttern angezogen und gelöst wird.)
- Die muttern muß vor jeder Verwendung nachgezogen werden.
- Für diese Motorsense empfehlen wir das rechts gezeigte Schneidzubehör.
- Versuchen Sie niemals, einen Baum, ein Langholz, sonstiges Holz oder harte Materialien zu schneiden.

[Anzugsmoment: 28-48 N · m]

HINWEIS: Beim Umgang mit dem Schlagmesser stets Handschuhe tragen.

Montage des Nylonfaden-Schneidkopf

- Schlagmessererkappe, Schraubenabdeckung und Muttern sind nicht nötig dafür es den Nylonfaden-Schneidkopf zu montieren. Der Nylonkopf sollte auf der Grasabdeckung sein.
- Den Inbusschlüssel durch das Loch in den Zahnkasten einsetzen und die Schlagmesserhalter drehen bis es mit dem Inbusschlüssel zugeschlossen wird.
- Dann den Nylonfaden-Schneidkopf auf den Schaft schrauben dadurch es linksdrehend zu umdrehen.
- Den Inbusschlüssel abnehmen.



VOR INBETRIEBNAHME DES GERÄTES



Motoröl überprüfen und bei Bedarf nachfüllen

- Führen Sie folgende Arbeiten nur aus, wenn der Motor kalt ist.
- Halten Sie den Motor waagrecht und entnehmen Sie den Ölmesstab. Vergewissern Sie sich, dass der Ölstand zwischen der oberen und der unteren Grenzmarke liegt.
- Der Ölstand ist zu niedrig, falls das Öl nur bis zur unteren Spitze des Ölmesstabs (1) reicht. Füllen Sie neues Öl bis zur Höhe des Einfüllstutzens nach (2).
- Grundsätzlich muss nach etwa 15 Betriebsstunden (Nachfüllung-Häufigkeit: 15-mal) Öl nachgefüllt werden.
- Wechseln Sie das Öl, falls es verschmutzt ist oder seine Farbe sich verändert hat (siehe Seite 59 für die Vorgehensweise beim Ölwechsel und die Zeitspanne zwischen Ölwechseln).

Empfohlenes Öl: SAE 10W-30-Öl der API-Klassifizierung, Klasse SF oder höher (4-Takt Motoröl für Automobile).

Ölmenge: Ca. 0.1 L

Hinweis: Wenn der Motor nicht behalten aufrecht ist, kann Öl um den Motor hineingehen, und kann übermäßig nachgefüllt wird.
Wenn das Öl über die Grenze gefüllt wird, kann das Öl verseucht werden oder kann Feuer fangen.

Merkpunkt 1 beim Nachfüllen von Öl: "der Ölmesstab"

- Entfernen Sie jeglichen Staub oder Schmutz um den Öl-Einfüllstutzen bevor Sie den Ölmesstab entnehmen.
- Achten Sie darauf, dass der Ölmesstab nicht mit Sand oder Erde in Berührung kommt. Schmutz oder Sand im Öl kann den Ölkreislauf beeinträchtigen und durch frühzeitige Abnutzung mechanischer Teile Defekte verursachen.
- Um eine Verschmutzung des Ölmesstabs zu vermeiden, wird empfohlen, ihn wie in Abb. 3 gezeigt in die Motorverkleidung stecken.



Abb. 1

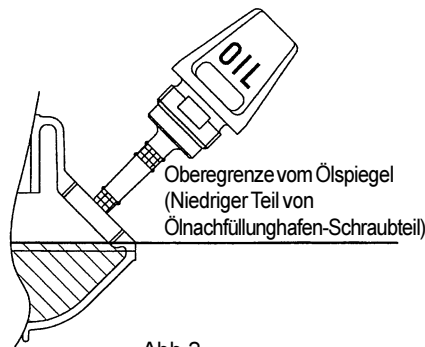


Abb. 2

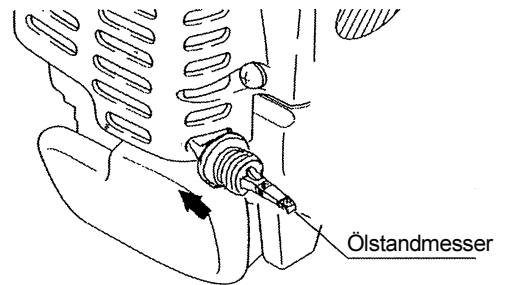
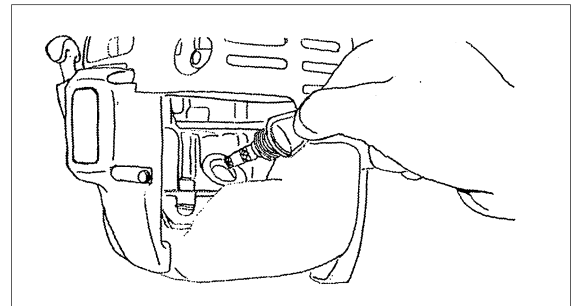
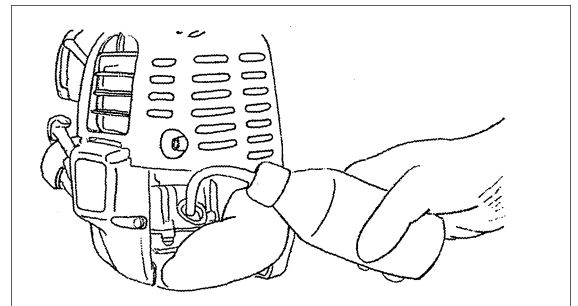


Abb. 3

(1) Halten Sie den Motor waagrecht und entnehmen Sie den Ölmesstab.



(2) Füllen Sie frisches Öl bis zur Unterkante des Einfüllstutzens (siehe Abb. 2 auf der vorhergehenden Seite). Benützen Sie dazu ein spezielles Nachfüllgefäß.



(3) Setzen sie den Ölmesstab wieder ein und schrauben Sie die Verschlusskappe vollständig fest. Unvollständiges Verschließen kann dazu führen, dass Öl ausläuft.

Merkpunkt 2 beim Nachfüllen von Öl: "Öl läuft aus"

- Auslaufendes Öl, das zwischen den Kraftstofftank und den Motorkopf gerät, wird durch den Kühlluft-Einlass angesaugt, was zu einer Verschmutzung des Motors führt. Wischen Sie vor Inbetriebnahme des Gerätes alle Spuren ausgelaufenen Öls weg.

Auftanken

Handhabung von Benzin

IBenzin enthält Lösungsmittel-ähnliche Substanzen und ist deshalb mit größter Vorsicht zu behandeln. Tanken Sie immer in einem gut gelüfteten Raum oder im Freien auf und vermeiden Sie es unbedingt, mit Benzin in Kontakt zu kommen oder Benzindämpfe einzuatmen. Haut, die wiederholt oder für längere Zeit mit Benzin in Kontakt kommt, trocknet aus und wird anfällig auf Hautkrankheiten oder allergische Reaktionen. Falls Benzin in Ihre Augen gerät, waschen Sie diese sofort mit frischem Wasser aus. Suchen Sie unverzüglich einen Arzt auf, falls durch das Auswaschen die Reizung nicht behoben werden kann.

Lagerzeit für Benzin

Verwenden Sie kein Benzin, das älter als 4 Wochen alt ist, auch wenn es in einem Spezialkanister an einem kühlen, schattigen Ort gelagert wurde. Beachten Sie, dass Benzin in einem Tag verderben kann, falls der Kanister nicht verschlossen ist, oder zur Lagerung kein Spezialkanister verwendet wird.

Lagerung von Maschine und Fülltank

- Behalten Sie die Maschine und den Tank an einem kühlen Ort ohne direkten Sonnenschein.
- Nie behalten Sie den Kraftstoff in der Kabine oder dem Koffer.

Kraftstofftyp

Die Motorsense wird mit einem 4-Takt-Motor betrieben. Verwenden Sie nur bleifreies Normal- oder Superbenzin.

Merkmale für Kraftstoff

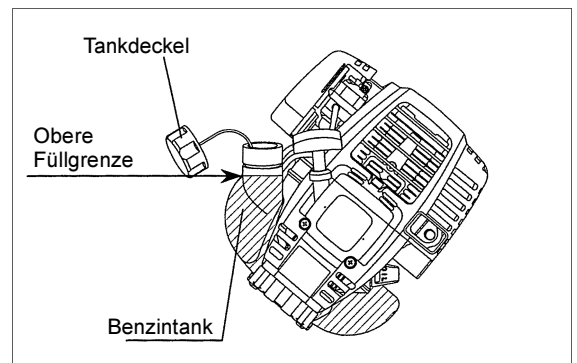
- Verwenden Sie auf keinen Fall 2-Takt-Mischungen. Das ins Benzin gemischte Motoröl verursacht übermäßige Kohlenstoffablagerungen, was zu mechanischen Problemen führen kann.
- Der Gebrauch von minderwertigem Benzin kann den Startvorgang erschweren oder verunmöglichen.

Auftanken

WARNUNG: Kein offenes Feuer! Absolutes Rauchverbot!

Verwendeter Kraftstoff: Autobenzin (bleifreies Benzin)

- Lösen Sie den Tankdeckel ein wenig, bis sich der Druckunterschied im Tank abgebaut hat.
 - Entfernen Sie den Tankdeckel und füllen Sie Benzin ein. Damit beim Tanken die Luft entweichen kann, neigen Sie den Benzintank so, dass der Einfüllstutzen nach oben zeigt (füllen Sie den Tank nie randvoll).
 - Reinigen Sie den Tankdeckel, damit keine Fremdkörper ins Benzin gelangen.
 - Nach dem Auftanken schrauben Sie den Tankdeckel fest und vergewissern sich, dass er dicht hält.
-
- Wenn es irgendein Defekt oder Schaden auf dem Tankdeckel gibt, wechseln Sie es aus.
 - Der Tankdeckel ist ein Konsumerartikel, und deshalb sollte alle zwei bis drei Jahre erneuert werden.



INBETRIEBNAHME UND ABSTELLEN DES MOTORS

Beachten Sie die entsprechenden Unfallverhütungsvorschriften.

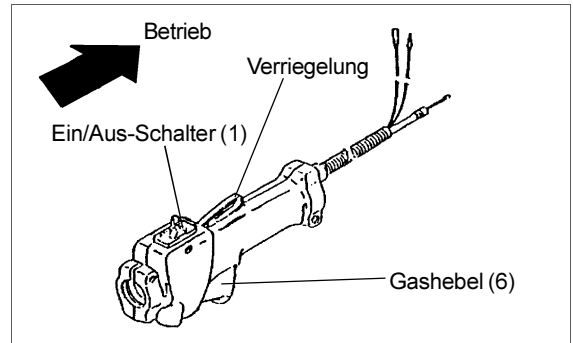


ANLASSEN

Entfernen Sie sich mindestens 3 m von der Stelle wo das Gerät aufgetankt wurde. Legen Sie die Motorsense auf sauberen Untergrund und achten Sie darauf, dass das Schneidwerkzeug nicht gegen harte Gegenstände schlagen kann.

A: Kaltstart

1) Legen Sie das Gerät auf ebenen Grund.



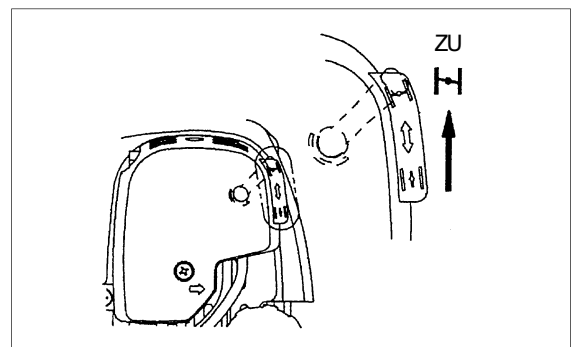
2) Stellen Sie den Start(I)/Stopp(O)-Schalter auf Betrieb (I)

3) Choke-Hebel

Schließen Sie den Choke.

Choke-Einstellungen:

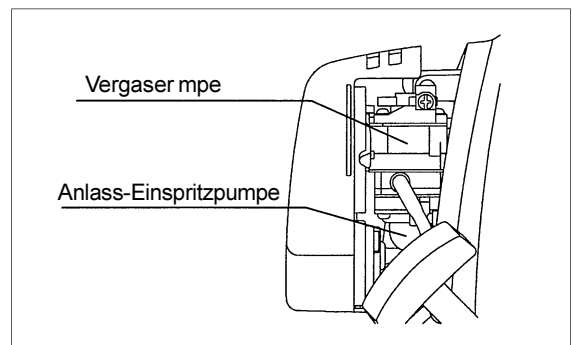
- Bei kaltem Wetter oder für Kaltstart Choke vollständig schließen.
- Öffnen Sie den Choke vollständig oder halb, wenn Sie den Motor kurz nach dem Abschalten wieder anlassen wollen.



4) Anlass-Einspritzpumpe

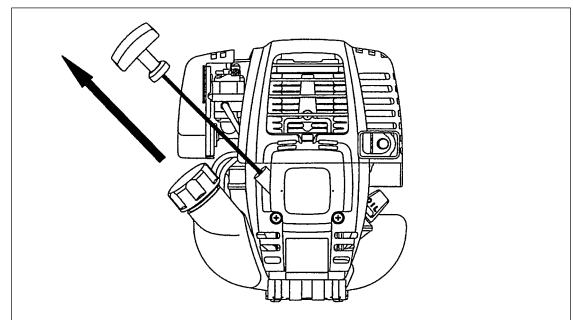
Betätigen Sie die Anlass-Einspritzpumpe wiederholt bis Benzin in die Pumpe einfließt (normalerweise sind dazu 7 bis 10 Pumpbewegungen notwendig).

Bei übermäßigem Pumpen wird das überflüssige Benzin in den Benzintank zurückgeführt.



5) Starter mit Rücklauf

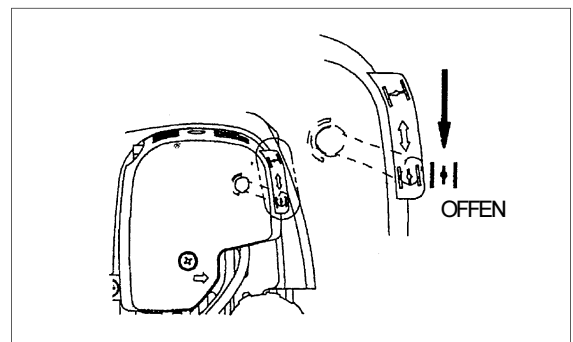
- Ziehen Sie mit geringem Kraftaufwand am Startergriff bis Sie einen Widerstand spüren (Kompressionspunkt). Führen Sie dann den Startergriff zurück und ziehen Sie noch einmal kräftig daran.
- Ziehen Sie das Starterseil nie in seiner vollen Länge aus dem Gehäuse. Lassen Sie den Startergriff nach dem Anreißen des Motors nicht sofort los, sondern halten Sie den Griff in Ihrer Hand, bis er in seine Ausgangsposition zurückgekehrt ist.



6) Choke-Hebel

Nachdem der Motor angesprungen ist, öffnen Sie den Choke stufenweise bis der Motor aufgewärmt ist.

- Öffnen Sie den Choke stufenweise und achten Sie dabei auf das Verhalten des Motors. Vergewissern Sie sich, dass der Choke vollständig geöffnet ist, wenn der Motor warm ist und rund läuft.
- Falls Sie in kaltem Wetter oder bei einem Kaltstart nach dem Starten des Motors denn Choke plötzlich vollständig öffnen, kann es vorkommen, dass der Motor abstirbt.



7) Aufwärmen

Geben Sie dem Motor 2-3 Minuten Aufwärmzeit.

- Hinweis: – Wenn bei geschlossenem Choke ("CLOSE"-Position) der Starter mehrmals betätigt wird, kann es vorkommen, dass der Motor aufgrund übermäßiger Benzinzufuhr nicht mehr anspringen will.
- Falls der Motor wegen übermäßiger Benzinzufuhr nicht mehr anspringt, schrauben Sie die Zündkerze heraus und ziehen Sie sachte am Starterseil um das überflüssige Benzin abzulassen. Trocknen Sie dann die Elektroden an der Zündkerze und schrauben Sie die Zündkerze wieder ein.

Wichtiger Hinweis zum Betrieb des Motors:

Falls der Gashebel bei Leerlauf vollständig gezogen wird, kann sich die Drehzahl des Motors auf über 10'000 U/min erhöhen. Betreiben Sie den Motor nie mit einer unnötig hohen Drehzahl und versuchen Sie diese in einem Bereich von etwa 6'000 bis 8'500 U/min zu halten.

B: Anlassen eines aufgewärmten Motors

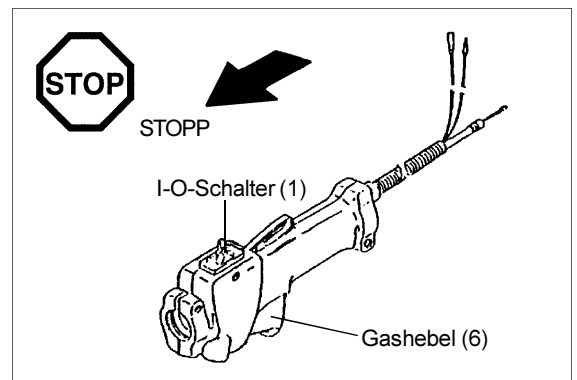
- 1) Betätigen Sie die Anlass-Einspritzpumpe wiederholt
- 2) Halten Sie den Gashebel in Leerlauf-Stellung
- 3) Ziehen Sie kräftig am Starterseil
- 4) Falls der Motor nicht anspringen will, geben Sie etwas mehr Gas (ca. 1/3 Leistung). Achten Sie dabei auf das Schneidwerkzeug, das sich möglicherweise zu drehen beginnt.

Achtung:

Falls der Motor in umgekehrter Position betrieben wird, ist es möglich, dass aus dem Auspuff weißer Rauch austritt.

ABSCHALTEN

- 1) Lassen Sie den Gashebel (6) los und warten Sie bis sich die Drehzahl der Motors verringert hat. Bringen Sie dann den Start(I)/Stopp(O)-Schalter (1) in die "STOPP"-Position (O).
- 2) Beachten Sie, dass sich das Schneidwerkzeug auch nach Abschalten des Motors noch für kurze Zeit weiterdrehen kann. Warten Sie, bis das Schneidwerkzeug vollständig zum Stillstand kommt.

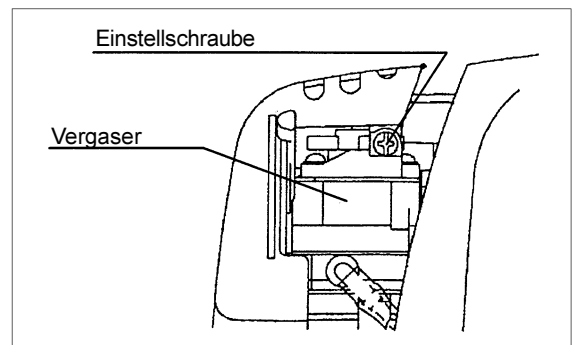


EINSTELLUNG DER MINDESTDREHZAH (LEERLAUF)

Die Einstellung der Mindestdrehzahl (Leerlauf) wird über die Einstellschraube am Vergaser vorgenommen.

Überprüfung der Mindestdrehzahl

- Die Mindestdrehzahl sollte bei etwa 3'000 U/min liegen.
- Verwenden Sie einen Kreuzschraubenzieher um, falls notwendig, Einstellungen am Vergaser vorzunehmen.
- Um die Motordrehzahl zu erhöhen, drehen Sie die Einstellschraube nach rechts und zum Verringern der Drehzahl drehen Sie die Einstellschraube nach links.
- Neue Geräte werden normalerweise mit korrekt eingestelltem Vergaser geliefert. Sollte trotzdem eine Neueinstellung notwendig sein, benachrichtigen Sie bitte die nächste Vertrags-Kundendienststelle.

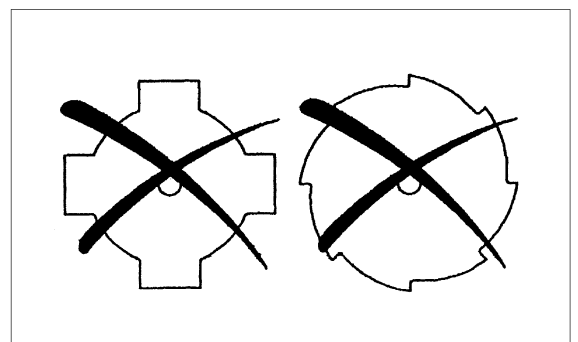


NACHSCHÄRFEN DES SCHNEIDWERKZEUGE

VORSICHT: Die unten aufgeführten Schneidwerkzeuge dürfen nur von einer qualifizierten Werkstatt nachgeschärft werden. Bei manuellem Nachschärfen besteht die Gefahr, daß sich Unwuchten im Schneidwerkzeug bilden, die Vibrationen und Beschädigung der Ausrüstung verursachen können.

- Schlagmesser (4-Zahn-Schlagmesser, 8-Zahn-Wirbelblatt)
Um das Schlagmesser fachgerecht nachshärfen und auswuchten zu lassen, wenden Sie sich bitte an eine Vertragswerkstatt.

HINWEIS: Um die Lebensdauer des Schlagmessers (Kreuzmesser, Wirbelmesser) zu verlängern, kann es einmal umgedreht werden, bis beide Schneidkanten stumpf geworden sind. Ein stumpfes kreuzmesser darf niemals weiterverwendet werden, da es sonst zu Rückschlägen mit daraus resultierenden schweren Verletzungen kommen kann.





WARNUNG: Bevor irgendwelche Unterhaltsarbeiten an der Motorsense vorgenommen werden, muss aus Sicherheitsgründen unbedingt zuerst der Motor abgeschaltet und der Zündkerzenstecker abgezogen werden (siehe auch „Überprüfen der Zündkerze“). Tragen Sie immer Schutzhandschuhe wenn Sie am Gerät arbeiten.

Um eine lange Lebensdauer des Gerätes zu gewährleisten, und um Defekten vorzubeugen sollten die folgenden Wartungsarbeiten in regelmäßigen Zeitabständen durchgeführt werden.

Tägliche Kontrolle und Wartung

Prüfen Sie das Gerät vor Inbetriebnahme auf lose Schrauben und fehlende Teile und vergewissern Sie sich, dass das Schneidwerkzeug (Schneidblatt oder Nylonfaden-Schneidkopf) ordnungsgemäß und sicher montiert ist.

Achten Sie darauf, dass Kühlluftdurchgänge und Zylinderrippen nicht verstopft sind. Reinigen Sie diese falls notwendig.

Führen Sie nach Gebrauch täglich folgende Arbeiten aus:

- Reinigen Sie die Motorsense äußerlich und untersuchen Sie das Gerät auf mögliche Beschädigungen.
- Reinigen Sie den Luftfilter. Bei extremer Staubentwicklung muss der Filter mehrere Male am Tag gereinigt werden.
- Untersuchen Sie das Schneidwerkzeug (Schneidblatt oder Nylonfaden-Schneidkopf) auf Schäden und vergewissern Sie sich, dass es ordnungsgemäß und sicher montiert ist.
- Vergewissern Sie sich, dass zwischen Leerlauf und Einrück-Drehzahl genügend Unterschied besteht, um zu verhindern, dass das Werkzeug sich bei Leerlauf bewegt (reduzieren Sie falls nötig die Leerlauf-Drehzahl). Falls sich das Schneidwerkzeug bei Leerlauf nach wie vor drehen sollte, setzen Sie sich mit dem Kundendienst in Verbindung.

Vergewissern Sie sich, dass der Start/Stop-Schalter, die Gashebelverriegelung, der Gashebel und der Sperrknopf ordnungsgemäß funktionieren.

ÖLWECHSEL

Qualitätsverschlechterung bei Motoröl verkürzt die Lebenserwartung mechanischer Teile beträchtlich. Vergewissern Sie sich über das Alter des verwendeten Öls und die Menge verfügbaren Ersatzöls.



WARNUNG: Nach dem Abschalten des Gerätes bleibt der Motor und das darin enthaltene Motoröl noch für eine geraume Zeit heiß. Um Brandverletzungen zu vermeiden, warten Sie mit dem Ölwechsel, bis der Motor und das Motoröl sich vollständig abgekühlt haben.

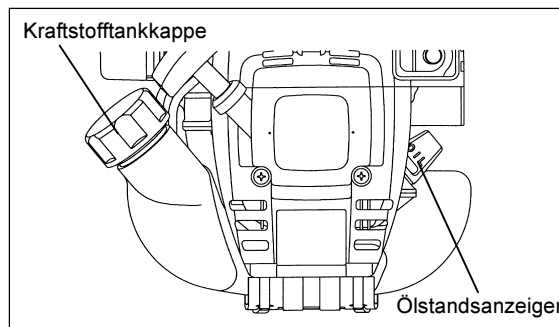
HINWEIS: Wenn das Öl über die Grenze gefüllt wird, kann es verseucht werden oder kann Feuer mit weißem Rauch fangen.

Perioden für Ölwechsel : Erster Ölwechsel nach den ersten 20 Betriebsstunden, danach alle 50 Betriebsstunden.

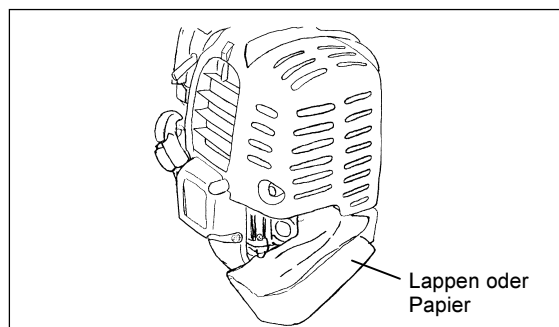
Empfohlenes Öl : SAE 10W-30-Öl der API-Klassifizierung, Klasse SF oder höher (4-Takt Motoröl für Automobile).

Gehen Sie beim Ölwechsel wie folgt vor:

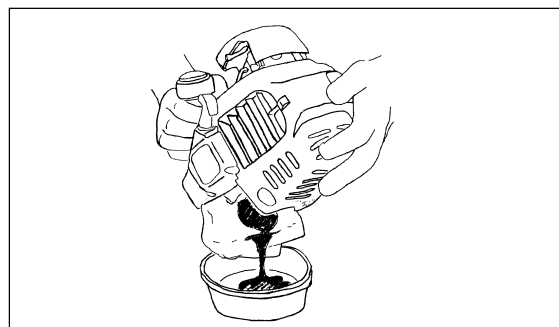
- 1) Vergewissern Sie sich, dass der Deckel des Benzintanks gut verschlossen ist.
- 2) Entnehmen Sie den Ölmesstab und deponieren Sie ihn so, dass er nicht verschmutzt wird.



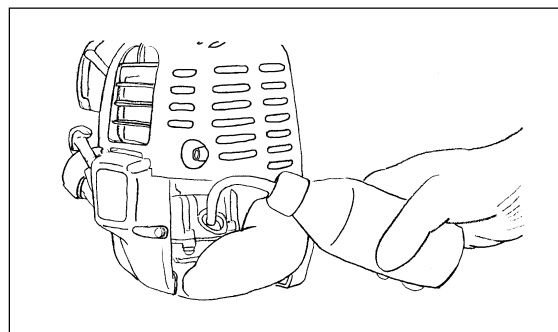
- 3) Bedecken Sie den Boden rund um den Öl-Einfüllstutzen mit Lappen oder Papier.



- 4) Neigen Sie das Gerät Richtung Einfüllstutzen und gießen Sie das alte Öl in ein Gefäß.



- 5) Bringen Sie das Gerät wieder in die Waagrechte und benutzen Sie einen Füllkanister, um frisches Öl bis zur Unterkante des Einfüllstutzens einzufüllen.
- 6) Setzen Sie den Ölmesstab wieder ein und schrauben Sie diesen vollständig fest. Ungenügendes Verschließen des Ölmesstabs kann ein Überlaufen von Öl zur Folge haben.



Merkpunkte zu Öl

- Die Entsorgung von Altöl ist gesetzlichen Bestimmungen unterworfen, denen strikte Folge geleistet werden muss. Werfen Sie altes Öl niemals zum gewöhnlichen Müll und gießen Sie Öl unter keinen Umständen in den Ausguss oder gar auf den Boden. Bei Unklarheiten und Fragen bezüglich Altöleentsorgung, wenden Sie sich bitte an die nächste Kundendienststelle.
- Beachten Sie, dass Öl auch bei Nichtgebrauch altert. Prüfen Sie ungebrauchtes Öl und ersetzen Sie es in regelmäßigen Zeitabständen (alle 6 Monate).

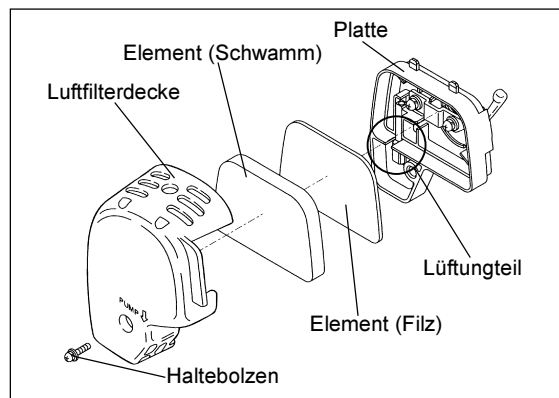
REINIGUNG DES LUFTREINIGERS



WARNUNG: Kein offenes Feuer! Absolutes Rauchverbot!

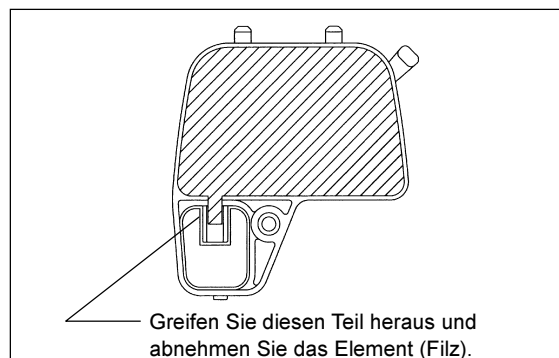
Häufigkeit von Reinigung und Inspektion: täglich (alle 10 Betriebsstunden)

- Schließen Sie den Choke vollständig und vergewissern Sie sich, dass der Vergaser frei von Staub und Schmutz ist.
- Entfernen Sie die Halteschraube des Luftreinigergehäuses.
- Ziehen Sie den unteren Teil des Luftreinigergehäuses nach außen und heben Sie das Gehäuse ab.
- Wenn das Öl an das Element (Schwamm) klebt, pressen Sie es fest aus.
- Für schwere Verseuchung:
 - 1) Nehmen Sie das Element (Schwamm) ab, tauchen Sie es in warm Wasser oder in Wasser-verdünnt neutral Waschmittel ein, und trocknen Sie es völlig.
 - 2) Reinigen Sie das Element (Filz) mit Benzin, und trocknen Sie es völlig.
- Ehe Sie das Element befestigen, vergessen Sie nicht es zu trocknen völlig. Ungenügend Trocknen von das Element kann zu schwerem Start führen.
- Mit Lappen, wischen Sie Öl klebend rund um die Luftfilterdecke und Plattelüftung ab.
- Setzen Sie sofort nach der Reinigung das Gehäuse des Luftreinigers wieder auf und befestigen Sie es mit der Halteschraube (zuerst oberen Teil aufsetzen, dann unteren Teil einpassen).



Wichtige Punkte wenn das Luftfilterelement handgehabt wird.

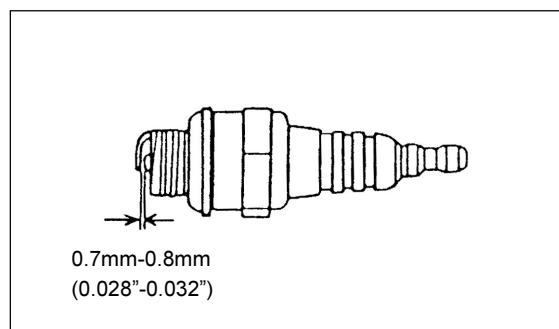
- Reinigen Sie das Element mehrere mals am Tage, wenn übermäßiger Staub zu ihm klebt.
- Wenn die Bedienung mit dem Element bleibend nicht freigehalten Öl fortsetzt, kann das Öl in dem Luftfilter hinausfallen. Dies endet in Ölverseuchung.



KONTROLLE DER ZÜNDKERZE

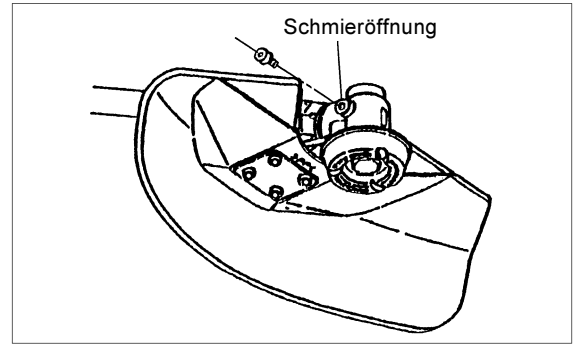
- Verwenden Sie zum Ein- und Ausbau der Zündkerze nur den mitgelieferten Universalschlüssel.
- Der Abstand zwischen den zwei Elektroden der Zündkerze sollte 0.7 – 0.8 mm betragen. Justieren Sie den Abstand falls notwendig. Reinigen Sie die Elektroden gründlich von Ruß- und Ölrückständen, oder ersetzen Sie die Zündkerze.

WARNUNG: Berühren Sie den Zündkerzenstecker nie während der Motor läuft (Gefahr eines elektrischen Schocks).



SCHMIERUNG DESGETRIEBEKOPFES

- Verwenden Sie Shell Allvania 2 oder ähnliches Schmierfett und schmieren Sie den Getriebekopf alle 30 Betriebsstunden. (Über Ihren MAKITA-Händler können Sie auch Original-MAKITA-Schmierfett bestellen.)



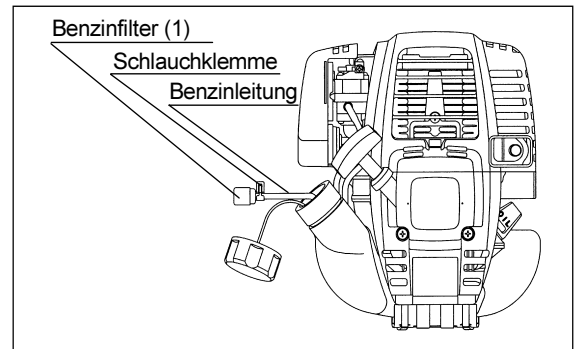
REINIGUNG DES BENZINFILTERS

WARNUNG: Kein offenes Feuer! Absolutes Rauchverbot!

Häufigkeit von Reinigung und Kontrolle: 1 mal monatlich (alle 50 Betriebsstunden)

Ansaugkopf im Benzintank

- Der Benzinfilter (1) der Ansaugvorrichtung reinigt das aus dem Tank kommende Benzin bevor es in den Vergaser gelangt.
- Der Benzinfilter muss in regelmäßigen Zeitabständen optisch geprüft werden. Öffnen Sie zu diesem Zweck den Tankdeckel und benutzen sie einen Draht mit Haken um den Ansaugkopf aus dem Tank zu ziehen. Inspizieren Sie den Filter und ersetzen sie ihn, falls er verhärtet, verschmutzt oder verstopft ist.
- Unzureichende Benzinzufuhr kann dazu führen, dass die zulässige Höchstzahl des Motors überschritten wird. Es ist deshalb wichtig, den Filter mindestens alle 3 Monate zu ersetzen, um optimale Benzinzufuhr zum Vergaser zu gewährleisten.



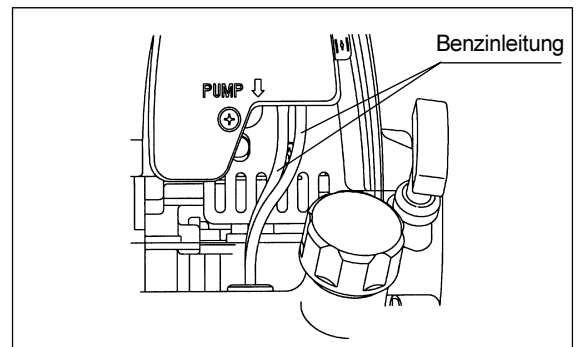
ERSETZEN DER BENZINLEITUNG

WARNUNG : Kein offenes Feuer! Absolutes Rauchverbot!

Häufigkeit von Reinigung und Inspektion : 1 Mal täglich (alle 10 Betriebsstunden)
Auswechseln : 1 Mal jährlich (alle 200 Betriebsstunden)

Wechseln Sie die Benzinleitung nach einem Jahr aus, auch wenn die Anzahl effektiver Betriebsstunden unter 200 liegt. Aus einer defekten Leitung auslaufendes Benzin könnte ein Feuer verursachen.

Falls bei der täglichen Inspektion ein Leck entdeckt wird, muss die Benzinleitung sofort ausgewechselt werden.



ALLGEMEINE INSPEKTION

- Ziehen Sie lose Schrauben und Muttern wieder an.
- Überprüfen Sie den Motor nach Öl- und Benzinlecks.
- Ersetzen Sie defekte Teile um sicheren Betrieb zu gewährleisten.

REINIGUNG

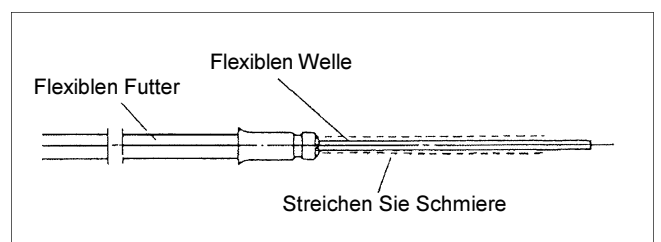
- Halten Sie den Motor immer sauber
- Halten Sie die Kühlrippen des Motors immer frei von Staub und Schmutz. Verstopfte Kühlrippen führen zu Überhitzung des Motors, was ein Anfressen des Kolbens verursachen könnte.

ERSETZEN VON DICHTUNGEN

Falls der Motor zerlegt wird, müssen beim Zusammenbau sämtliche Dichtungen durch neue ersetzt werden.

VERSORGUNG VON FETT ZUR FLEXIBLEN WELLE

- Ziehen Sie den flexiblen Welle vom flexiblen Futter für jede 20 Stunden heraus, und streichen Sie Schmiere auf der flexiblen Welle auf.
- Die flexible Welle wird vielleicht gebrochen, wenn kein Fett gebraucht wird.



Alle Wartungsarbeiten, die nicht in dieser Betriebsanleitung behandelt oder beschrieben sind, dürfen nur von einer Vertragswerkstatt ausgeführt werden.

LAGERUNG



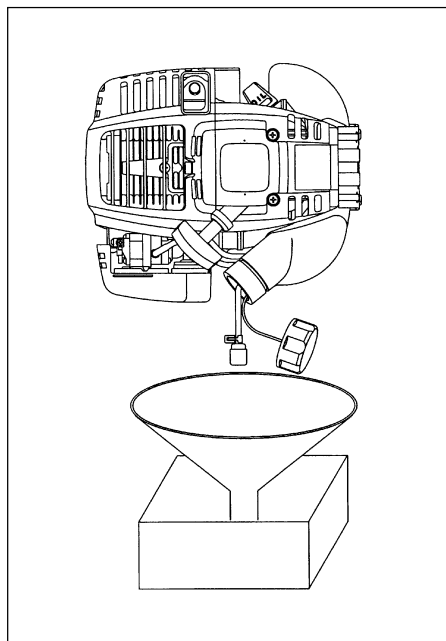
WARNUNG: Wenn der Kraftstoff versickert wird, vergessen Sie nicht es den Motor abzustellen und bestätigen Sie daß der Motor sich abkühlt.

Gerade nachdem der Motor abstellt wird, kann es noch heiß mit Möglichkeit von Verbrennung, Entflammbarkeit und Feuer sein.



ATTENTION: Wenn die Maschine außer Betrieb seit langem war, entwässern Sie allen Kraftstoff von dem Kraftstofftank und dem Vergaser, und dann behalten Sie es an einem trockenen und sauberen Ort.

- Entwässern den Kraftstoff von dem Kraftstofftank und dem Vergaser nach dem folgenden Verfahren:
 - 1) Nehmen Sie den Kraftstofftankdeckel ab, und entwässern Sie den Kraftstoff völlig.
Wenn es irgendein Fremdkörper bleibend in dem Kraftstofftank gibt, nehmen Sie es völlig ab.
 - 2) Ziehen Sie den Kraftstofffilter vom Füllunghafen benutzend ein Kabel heraus.
 - 3) Schieben Sie die Pumpe für Anlaßkraftstoff bis der Kraftstoff von dort entwässert wird, und entwässern Sie den Kraftstoff hommend in den Kraftstofftank.
 - 4) Setzen sie das Filter für den Kraftstofftank wieder, und ziehen Sie den Kraftstofftankdeckel sicher fest.
 - 5) Dann, setzen Sie es den Motor zu betreiben fort bis es halt.
- Nehmen Sie die Zündkerze ab, und tropfen Sie mehrere Drops vom Motoröl durch das Zündkerzeloch.
- Ziehen Sie den Startergriff sachte so daß das Motoröl sich über den Motor verbreiten will, und befestigen Sie die Zündkerze.
- Befestigen Sie die Decke zum Schneidmesser.
- Während Lagerung, behalten Sie die Stange horizontal oder behalten Sie die Maschine aufrecht mit der Schneide zugewandt nach oben. (In diesem Fall, schenken Sie volle Aufmerksamkeit um zu verhindern, daß die Maschine fällt)
Nie lagern Sie die Maschine mit der Schneidmesserspitze zugewandt nach oben.
Schmieröl kann verschüttet werden.
- Behalten Sie den entwässerten Kraftstoff in einen besonderen Behälter in ein gut-gelüftetes Gebiet.



Aufmerksamkeit nach langer Lagerung

- Ehe die Maschine nach langer Schließung start, vergessen Sie nicht, es das Öl zu ersetzen (Siehe Seite 59). Das Öl will sich verschlechtern während die Maschine außer Betrieb behalten wird.

Fehlererkennung

Fehler	System	Zustand	Ursache
Motor startet nicht oder nur mit Schwierigkeiten	Zündsystem	Zündfunke vorhanden	Fehler in der Kraftstoffzufuhr oder in der Kompression, mechanischer Defekt.
		Kein Zündfunke	START(I)/STOPP(O)-Schalter in STOPP-Stellung; Verdrahtungsfehler oder Kurzschluss, Zündkerze oder Kerzenstecker defekt, fehlerhaftes Zündmodul.
	Kraftstoffzufuhr	Benzintank voll	Falsche Choke-Stellung, Vergaser defekt, Ansaugkopf verschmutzt, Benzinleitung geknickt oder verstopft, verschmutztes Benzin.
	Kompression	Keine Kompression beim Durchziehen	Zylinderbodendichtung defekt, Pleuellendichtungen beschädigt, Zylinder- oder Pleureringe schadhaf, Dichtung der Zündkerze ist defekt oder passt nicht.
Probleme beim Warmstart	Mechanischer Fehler	Anlasser funktioniert nicht	Defekte Rückholfeder, defekte Motorteile.
		Tank voll, Zündfunke vorhanden	Vergaser verschmutzt (Vergaser reinigen lassen).
Motor startet, stirbt aber gleich wieder ab	Kraftstoffzufuhr	Tank voll	Leerlauf schlecht eingestellt, Ansaugkopf oder Vergaser verschmutzt. Benzintank-Entlüftung defekt, Benzinleitung unterbrochen, Kabel oder STOPP(O)-Schalter fehlerhaft.
Unbefriedigende Leistung	Mehrere Systeme können gleichzeitig betroffen sein	Verhalten des Motors im Leerlauf unbefriedigend	Luftfilter verschmutzt, Vergaser verschmutzt, Auspuffdämpfer verstopft, Zylinderauslass verstopft.

Betriebszeit Artikel		Vor Inbetriebnahme	Nach Schmierung	Täglich (10 Std.)	30 Std.	50 Std.	200 Std.	Betriebseinstellung/ Pause	Siehe Seite
Motoröl	Prüfen/Reinigen	○							55
	Auswechseln					○ ^{*1}			59
Befestigungen (Schrauben, Muttern)	Prüfen	○							61
Benzintank	Prüfen/Reinigen	○							—
	Entleeren							○ ^{*3}	62
Gashebel	Funktionscheck		○						57
STOPP-Schalter	Funktionscheck		○						57
Schneidblatt	Prüfen	○		○					54
Leerlauf	Prüfen/Einstellen			○					58
Luftreiniger	Reinigen			○					60
Zündkerzenstecker	Prüfen			○					60
Kühlluftschacht	Prüfen/Reinigen			○					61
Benzinleitung	Prüfen			○					61
	Auswechseln						⊙ ^{*2}		—
Fett für Getriebekopf	Nachfüllen				○				61
Benzinfilter	Prüfen/Reinigen					○			61
Freiraum zwischen Lufteneinlass- und Luftauslassventil	Einstellen						⊙ ^{*2}		—
Öltube	Prüfen						⊙ ^{*2}		
Motor überholen							⊙ ^{*2}		—
Vergaser	Restbenzin aufbrauchen							○ ^{*3}	62

*1 Bei fabrikneuem Gerät: erster Ölwechsel nach 20 Betriebsstunden.

*2 Für den Jahresservice (oder nach 200 Betriebsstunden), wenden Sie sich an eine Vertrags-Kundendienststelle.

*3 Lassen Sie nach dem Entleeren des Benzintanks den Motor laufen, bis das Restbenzin im Vergaser aufgebraucht ist.

STÖRUNGSSUCHE

Falls das Gerät nicht ordnungsgemäß funktioniert, suchen Sie zuerst in der Liste unten nach möglichen Fehlerquellen und den entsprechenden Maßnahmen zur Behebung der Störung. Führen Sie keine Wartungs- oder Reparaturarbeiten durch, die nicht ausdrücklich in dieser Betriebsanleitung beschrieben sind. Für Reparaturen und periodischen Service wenden Sie sich bitte an Ihren Händler oder an eine bevollmächtigte Kundendienststelle in Ihrer Nähe.

Störung	Mögliche Ursache (Funktionsfehler)	Maßnahme zur Behebung
Motor springt nicht an.	Anlass-Einspritzpumpe wurde nicht betätigt.	Drücken Sie 7 bis 10 mal auf die Pumpe und versuchen Sie den Motor noch einmal zu starten.
	Mit zu wenig Kraft am Starterseil gezogen.	Kräftig ziehen.
	Kein Benzin im Tank.	Benzin nachfüllen.
	Verstopfter Benzinfilter.	Filter reinigen.
	Geknickte Benzinleitung.	Benzinleitung geradebiegen oder austauschen.
	Qualitätsverschlechterung beim Benzin.	Minderwertiges Benzin erschwert den Startvorgang. Tank entleeren und frisches Benzin nachfüllen. (Empfohlene Verbrauchsdauer für Benzin: ca. 1 Monat).
	Übermäßige Benzinzufuhr.	Stellen Sie den Gashebel auf mittlere bis hohe Geschwindigkeit und ziehen Sie am Starterseil bis der Motor anspringt. Vorsicht: Beachten Sie, dass sich bei laufendem Motor das Schneidwerkzeug drehen kann. Falls der Motor immer noch nicht anspringt, entnehmen Sie die Zündkerze und trocknen Sie die Elektroden mit einem Lappen. Schrauben Sie die Zündkerze wieder ein und versuchen Sie noch einmal, den Motor zu starten.
	Kerzenstecker lose.	Stecken Sie den Kerzenstecker richtig auf die Zündkerze.
	Schmutzige Zündkerze.	Zündkerze reinigen.
	Abnormaler Elektroden-Abstand.	Abstand justieren
	Andere Abnormitäten an der Zündkerze.	Zündkerze austauschen.
	Vergaser funktioniert nicht richtig.	Überprüfen und reparieren lassen.
	Starterseil kann nicht gezogen werden.	Überprüfen und reparieren lassen.
Antriebssystem funktioniert nicht richtig.	Überprüfen und reparieren lassen.	
Motor stirbt nach dem Anlassen gleich wieder ab. Motor kann nicht beschleunigt werden.	Motor unzureichend aufgewärmt.	Folgen Sie den Anweisungen in der Betriebsanleitung um den Motor genügend aufzuwärmen.
	Choke ist geschlossen, obwohl Motor warm ist.	Choke öffnen.
	Benzinfilter verstopft.	Reinigen.
	Luftreiniger verstopft oder verschmutzt.	Reinigen.
	Vergaser funktioniert nicht richtig.	Überprüfen und reparieren lassen.
	Antriebssystem funktioniert nicht richtig.	Überprüfen und reparieren lassen.
Schneidwerkzeug dreht sich nicht. ↓ Motor sofort abstellen.	Gegenmutter des Schneidwerkzeugs ist locker.	Gegenmutter festziehen.
	Schnittmaterial (Äste, Gestrüpp usw.) hat sich im Schneidwerkzeug oder der Schutzvorrichtung verfangen.	Fremdkörper entfernen.
	Antriebssystem funktioniert nicht richtig.	Überprüfen und reparieren lassen.
Außergewöhnliche Vibrationen am Gerät. ↓ Motor sofort abstellen. Motor sofort abstellen	Schneidwerkzeug gebrochen, verbogen oder abgenutzt.	Schneidwerkzeug austauschen.
	Befestigungsmutter des Schneidwerkzeugs hat sich gelockert	Befestigungsmutter festziehen.
	Der gewölbte Teil des Schneidblattes und die Aufnahmescheibe für das Schneidblatt haben sich verschoben.	Richten und sichern.
	Antriebssystem funktioniert nicht richtig.	Überprüfen und reparieren lassen.
Das Schneidblatt dreht sich nach Loslassen des Gashebels weiter. ↓ Motor sofort abstellen.	Zu hohe Leerlaufdrehzahl.	Einstellen.
	Gebrochener Gaszug.	Verbinden oder ersetzen lassen.
	Antriebssystem funktioniert nicht richtig.	Überprüfen und reparieren lassen.
Motor lässt sich nicht abstellen. ↓ Bei Leerlauf Choke schließen.	Verbindungsstecker lose oder getrennt.	Einstecken.
	Elektrisches System funktioniert nicht richtig.	Überprüfen und reparieren lassen.

Gehen Sie wie folgt vor, falls der Motor bei Warmstart nicht anspringen will: Überprüfen Sie zuerst alle möglichen Störungsursachen; drücken Sie, falls Sie nichts finden, den Gashebel zu etwa 1/3 und versuchen Sie den Motor noch einmal zu starten.

Vi ringraziamo dell'acquisto di questo decespugliatore MAKITA, che possiamo raccomandarvi in quanto è il risultato di un lungo programma di sviluppo e di molti anni di conoscenze e di esperienze.

Leggete e seguite le istruzioni di questo manuale, che si riferisce dettagliatamente ai vari punti che ne dimostrano le eccezionali prestazioni. Esso può aiutarvi ad ottenere le prestazioni migliori di questo decespugliatore MAKITA.



Indice	Pagina
Simboli	65
Istruzioni per la sicurezza	66-70
Dati tecnici	71
Nome delle parti	72
Montaggio del motore e dell'albero di trasmissione	73-74
Montaggio del manubrio	75
Montaggio della protezione	75
Montaggio della lama	75
Prima della messa in moto	76-77
Avviamento e arresto della macchina	78-79
Affilatura della lama	79
Istruzioni di manutenzione	80-82
Immagazzinaggio	83-84
Localizzazione ed eliminazione dei guasti	85

SIMBOLI

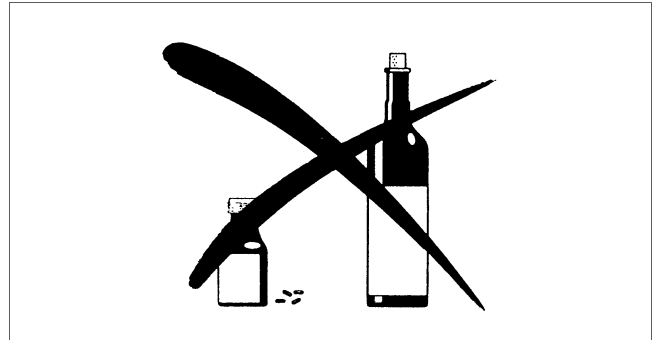
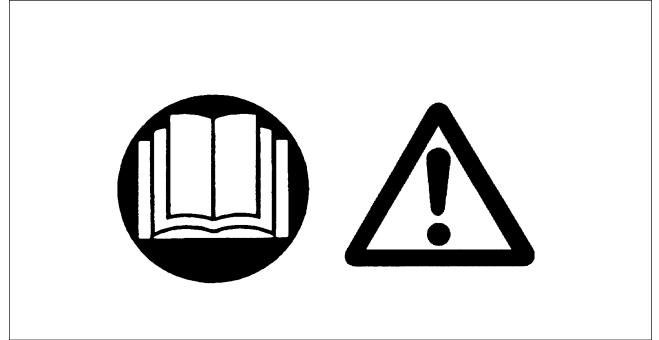
Leggendo questo manuale di istruzioni è molto importante capire i simboli seguenti.

	Leggete, capite e seguite il manuale di istruzioni		Indossate il casco, gli occhiali e i paraorecchi di protezione
	AVVERTIMENTO/PERICOLO/ATTENZIONE		Velocità massima dell'utensile consentita
	Proibito		Carburante (Benzina)
	Mantenete una certa distanza		Avviamento manuale del motore
	Pericolo de oggetti volanti		Arresto di emergenza
	Non fumate		Pronto soccorso
	Non utilizzare fiamme libere		Riciclo
	Indossate i guanti di protezione		ACCENSIONE/AVVIAMENTO
	Rinculo (solo per decespugliatore)		SEGNIMENTO/ARRESTO
	Nell'area di lavoro non ci devono essere persone o animali domestici		Marchio CE

ISTRUZIONI PER LA SICUREZZA

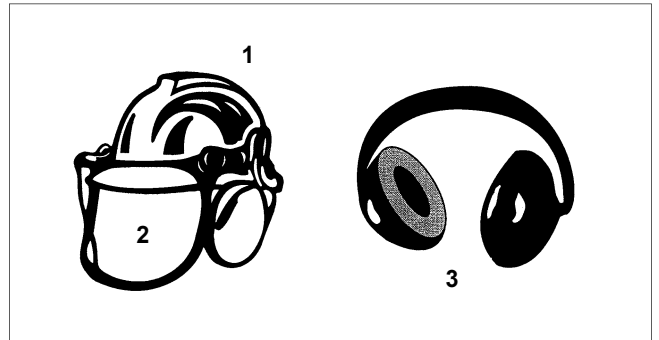
Istruzioni generali

- per assicurare il funzionamento corretto, l'utente deve leggere e seguire le istruzioni di questo manuale per familiarizzare con il modo d'uso del decespugliatore. Gli utenti insufficientemente informati costituiscono un pericolo per se stessi e per gli altri, a causa del modo sbagliato d'uso del decespugliatore.
- Vi raccomandiamo di prestare il decespugliatore soltanto a chi ne è pratico. Fornite sempre anche il manuale di istruzioni.
- Utilizzare il decespugliatore solo con gli elementi di protezione installati al loro posto.
- Chi usa l'utensile per la prima volta dovrebbe rivolgersi al rivenditore per le istruzioni fondamentali, al fine di familiarizzare con il modo d'uso di un utensile motorizzato.
- Non si deve lasciar usare il decespugliatore ai bambini e ai giovani di meno di 18 anni. Tuttavia, i giovani di oltre 16 anni possono usare l'utensile per addestrarsi, ma esclusivamente sotto la sorveglianza di un istruttore qualificato.
- Usate il decespugliatore con la massima cura e attenzione.
- Usate il decespugliatore soltanto se siete in buone condizioni fisiche. Eseguite il lavoro con coscienza e attenzione. L'utente deve assumersi la responsabilità per gli altri.
- Il decespugliatore non deve mai essere usato dopo l'ingestione di alcolici o di medicine.
- Non usate il decespugliatore quando siete stanchi.
- Conservate queste istruzioni per riferimenti futuri.



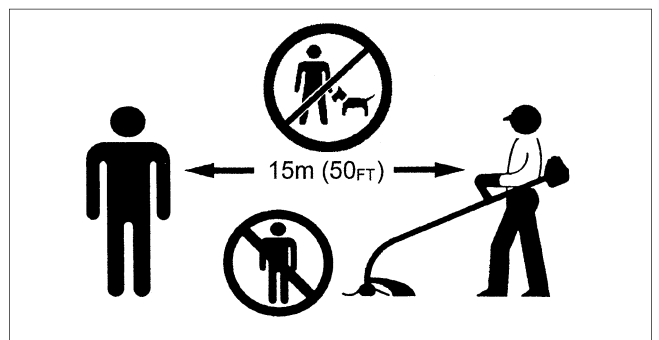
Equipaggiamento di protezione personale

- Gli abiti indossati devono essere funzionali e appropriati, e cioè dovrebbero essere aderenti senza impacciare i movimenti. Non portate gioielli o abiti che potrebbero impigliarsi sui cespugli o sugli arbusti, come pure state attenti ai capelli lunghi.
- Per evitare ferite alla testa, occhi, mani o piedi, come pure per proteggere l'udito, usando il decespugliatore dovete indossare l'equipaggiamento di protezione e gli abiti seguenti.
- Lavorando in un bosco, portate sempre il casco. Il casco di protezione (1) deve essere controllato a intervalli regolari per eventuali danni, e va sostituito al massimo dopo 5 anni. Usate soltanto i caschi di protezione raccomandati.
- La visiera (2) del casco (oppure gli occhiali di protezione) proteggono il volto dalle chegge, sassi od altri oggetti volanti. Per evitare fenti agli occhi, portate sempre gli occhiali di protezione o la visiera quando usate il decespugliatore.
- Per evitare di danneggiare l'udito mettetevi sempre l'equipaggiamento di protezione delle orecchie (paraorecchi (3), tappi, ecc.), specialmente durante lunghi periodi di lavoro.
- La tuta da lavoro (4) protegge contro i sassi e le schegge volanti. Si raccomanda vivamente all'utente di indossare la tuta da lavoro.
- I quantoni speciali (5) di pelle spessa fanno parte dell'equipaggiamento prescritto e devono sempre essere indossati durante l'uso del decespugliatore.
- Usando il decespugliatore, indossate sempre delle scarpe pesanti (6) con soles che non scivolano. Ciò protegge dalle ferite e assicura un buon punto d'appoggio per i piedi.



Avviamento del decespugliatore

- Si raccomanda di accertarsi che non ci siano bambini o altre persone in un raggio di circa 15 metri dal punto di lavoro, e fare inoltre attenzione a che nessun animale si avvicini.
- Prima di cominciare, controllate sempre che il decespugliatore possa essere usato con sicurezza:
Controllate che la lama sia fissata saldamente. Accertatevi che il dado di montaggio della lama sia stretto saldamente. Controllate che l'azione della leva dell'acceleratore sia scorrevole e che il bloccaggio della leva dell'acceleratore /funzioni correttamente. La lama non deve girare durante il minimo del motore. Riferitevi alle istruzioni sulla regolazione del minimo a pag. 79. Assicuratevi che il manubrio sia pulito e asciutto, e controllate il funzionamento dell'interruttore di arresto. Mantenete il manubrio esente da olio e carburante.
- Prima dell'uso, controllare e attenersi alle normative locali in materia di livello del suono e ore di funzionamento.
- Avviate il decespugliatore solo lasciandolo posato per terra.
- Non avviate il decespugliatore capovolto.



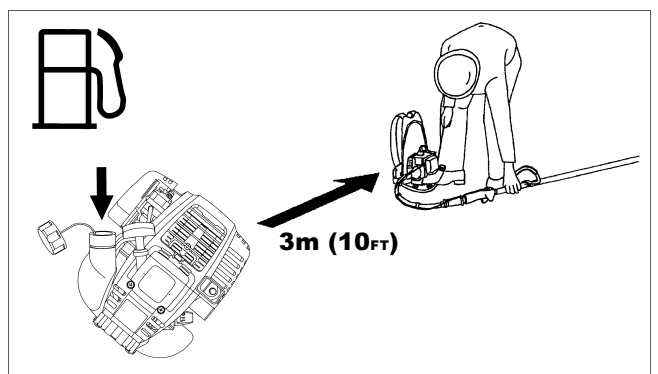
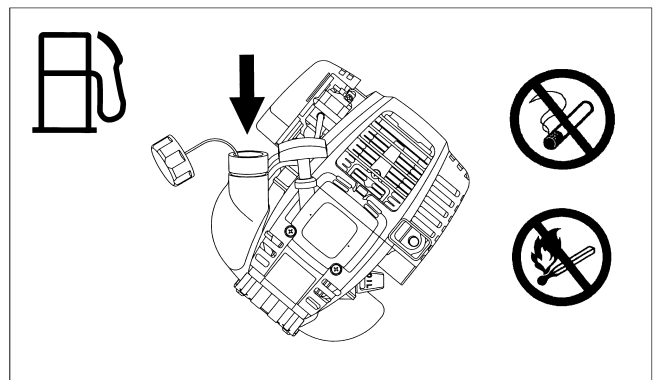
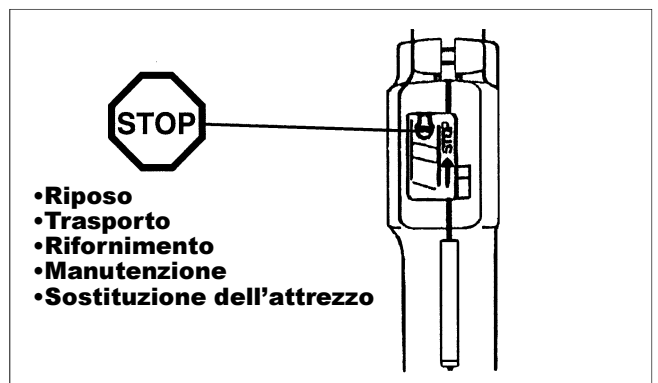
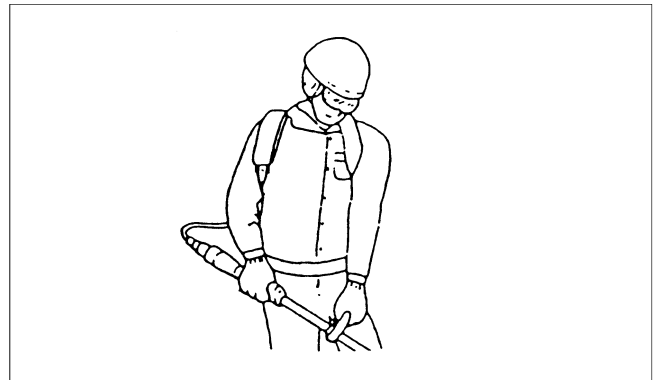
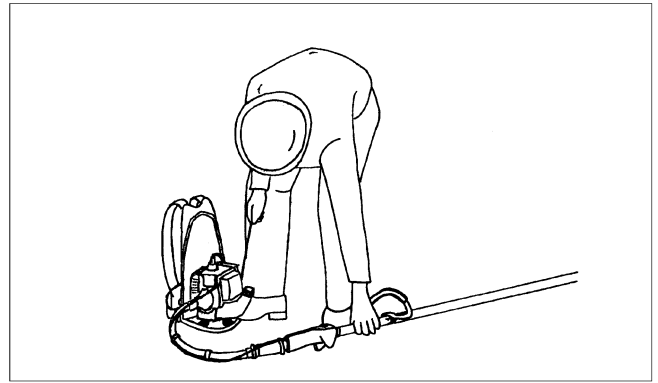
Avviate il decespugliatore soltanto secondo le istruzioni.

Non usate alcun altro metodo per avviare il motore!

- Usate il decespugliatore e gli attrezzi in dotazione soltanto per le loro applicazioni specificate.
- Avviate il motore del decespugliatore soltanto dopo averlo montato completamente. L'uso dell'utensile è permesso soltanto dopo che sono stati montati tutti gli accessori appropriati!
- Prima dell'avviamento, accertatevi che la lama non faccia contatto con oggetti come rami, pietre, ecc.
- In caso di problemi, di qualsiasi tipo, spegnere immediatamente il motore.
- Se la lama colpisce pietre o altri oggetti duri, spegnere immediatamente il motore e controllare la lama.
- Controllate a brevi intervalli regolari che la lama non sia danneggiata (eseguite il test di rilevamento delle crepe sottili mediante il rumore prodotto dando dei colpetti sulla lama).
- Si dovrebbe sentire un familiare suono squillante.
- Fate funzionare il decespugliatore soltanto con la tracolla attaccata e regolata correttamente. Per prevenire la fatica o la perdita di controllo dell'utensile durante l'uso, è essenziale che la tracolla sia regolata secondo le dimensioni del corpo dell'utente. Non si deve mai far funzionare il decespugliatore con una mano sola.
- Mentre funziona, tenete sempre il decespugliatore con entrambe le mani. Assicuratevi di avere sempre un appoggio sicuro per i piedi.
- Fate funzionare il decespugliatore in modo da evitare di respirare i gas di scarico. Mai far girare il motore nei luoghi chiusi (pericolo di soffocamento e di avvelenamento da gas). Il monossido di carbonio è un gas inodoro. Accertatevi sempre che ci sia una ventilazione adeguata.
- Spegnere il motore nelle pause di lavoro e quando si lascia il decespugliatore incustoditi. Metterlo in un posto sicuro per evitare pericoli ad altre persone, di incendiare materiali combustibili o danneggiare l'utensile.
- Non posare il decespugliatore caldo sull'erba secca o su qualsiasi materiale combustibile.
- La lama deve essere provvista della sua protezione appropriata. Non si deve mai far girare la lama senza la sua protezione!
- Durante l'uso dell'utensile si devono usare tutte le parti di protezione in dotazione.
- Mai far funzionare il motore con una marmitta guasta.
- Spegnere il motore durante il trasporto.
- Durante il trasporto per lunghe distanze si deve sempre usare la protezione in dotazione.
- Per evitare danni, durante il trasporto in macchina o su camion, tenere il decespugliatore a fili in posizione verticale.
- Per evitare perdite di carburante, prima di trasportare il decespugliatore, assicurarsi che il serbatoio del carburante sia completamente vuoto.

Rifornimento

- Per evitare i rischi di incendio e bruciature, maneggiare il carburante con molta cura. È altamente infiammabile.
- Durante il rifornimento di carburante, spegnere il motore, tenerlo a distanza di fiamme scoperte e non fumare.
- Evitate che la benzina venga a contatto con la pelle. State attenti a non respirare i vapori della benzina. Cambiate e pulite gli abiti di protezione a intervalli regolari.
- Prima di avviare il motore, asciugare bene l'unità strofinandola con un panno. Fare attenzione a non spargere carburante od olio. Per evitare combustioni spontanee, lascia asciugare i panni bagnati prima di riporli in un contenitore adatto e coperto.
- Evitate ogni contatto della benzina con gli abiti. Cambiatevi immediatamente se vi siete sparsi addosso della benzina (ciò è molto pericoloso).
- Ispezionate il tappo del carburante a intervalli regolari, assicurandovi che si chiuda saldamente.
- Serrare bene la vite di bloccaggio del serbatoio del carburante. Per avviare il motore e viene cambiato posto (ad almeno 3 metri (10 piedi) dal posto di rifornimento di carburante.)
- Mai fare rifornimento in una stanza chiusa. I vapori della benzina si accumulano al livello del suolo (pericolo di esplosione).
- Trasportate e immagazzinate la benzina soltanto in contenitori permessi dalla legge. Assicuratevi che la benzina immagazzinata non sia accessibile ai bambini.
- Non cercate di fare rifornimento con il motore caldo o avviato.
- Miscelando la benzina con olio nel caso di motori a due tempi, usare solo benzina senza etanolo o metanolo (tipi di alcol). Questo aiuta ad evitare il danneggiamento delle tubazioni del carburante e di altre parti del motore.



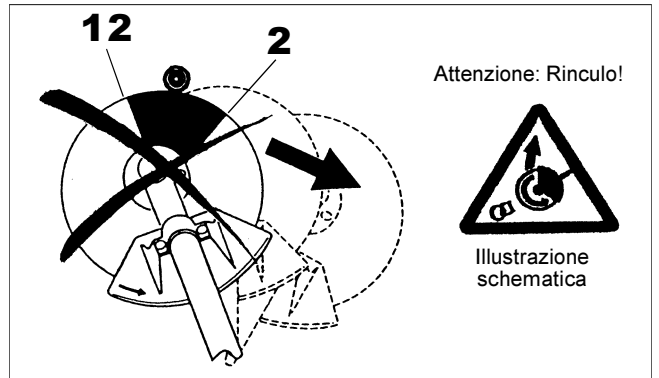
Modo d'impiego

- Usate il decespugliatore soltanto in buone condizioni di luce e di visibilità. Durante la stagione invernale, state attenti ai luoghi scivolosi o bagnati, al ghiaccio e alla neve (pericolo di cadute). Assicuratevi sempre di avere un appoggio sicuro per i piedi.
- Non cercate di raggiungere posti difficili. State sempre attenti a dove mettete i piedi, a non perdere l'equilibrio e a mantenere il controllo manuale dell'utensile.
- Mai tagliare ad una altezza oltre cintura.
- Mai far funzionare il decespugliatore da sopra una scala.
- Mai salire sugli alberi per lavorare usando il decespugliatore.
- Mai lavorare su superfici instabili o su terreni ripidi.
- Togliete dei oggetti come, le pietre, i chiodi, ecc., prati dall'area di lavoro, perché possono danneggiare la lama, causare rinculi pericolosi o essere scagliati intorno in modo pericoloso.
- Prima di cominciare a tagliare, la lama deve aver raggiunto la piena velocità utile.
- Mai usare questo utensile capovolto o ad un angolo estremo.
- !ATTENZIONE! -L'area di taglio è ancora pericolosa mentre l'utensile si sta arrestando.



Rinculo

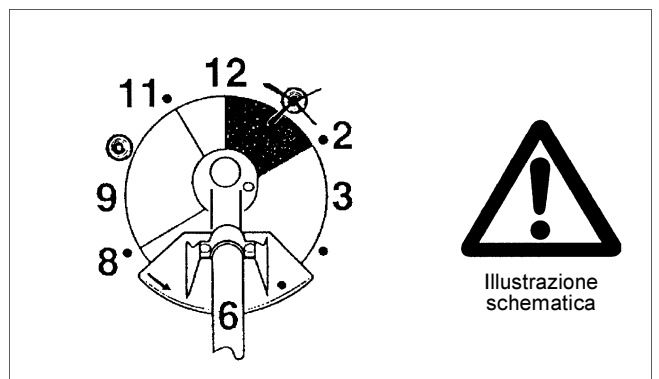
- Durante il funzionamento del decespugliatore si potrebbero verificare dei rinculi incontrollati.
- Ciò è soprattutto il caso quando si cerca di tagliare con un segmento della lama compreso tra le 12 e le 2 dell'orologio guardando dalla posizione dell'utente.
- Mai applicare questo segmento della lama a oggetti solidi, come i cespugli, i ceppi, gli alberi, ecc., con un diametro superiore ai 3 cm.
- Il decespugliatore viene allora deflesso con molta forza e velocità, con conseguente pericolo di ferite gravi.
- Mai applicare il segmento della lama compreso tra le 12 e le 2 dell'orologio.



Prevenzione del rinculo

Per evitare i rinculi, osservate quanto segue :

- L'uso del segmento della lama compreso tra le 12 e le 2 dell'orologio presenta dei rischi reali, soprattutto usando la lama per il taglio dei metalli. Anche l'uso del decespugliatore utilizzando le posizioni del segmento della lama tra le 11 e le 12 o le 2 e le 5 dell'orologio può causare possibili rinculi.
- L'operazione di taglio con i segmenti della lama compresi tra le 11 e le 12 e tra le 2 e le 5 dell'orologio deve essere effettuata soltanto dagli utenti addestrati ed esperti, e unicamente a loro rischio e pericolo. Il taglio facile praticamente senza rinculi è possibile con il segmento della lama compreso tra le 8 e le 11 dell'orologio.



Lame

Usate soltanto le lame adatte al lavoro da fare.

Lama (lama a 4 e 8 denti):

Per tagliare i materiali spessi, come le erbacce, l'erba alta, i cespugli, gli arbusti, la sterpaglia, ecc., (con uno spessore massimo di 2 cm). Eseguite questo lavoro di taglio muovendo uniformemente il decespugliatore in semicerchio da destra a sinistra (come usando una falce).

Istruzioni per la manutenzione

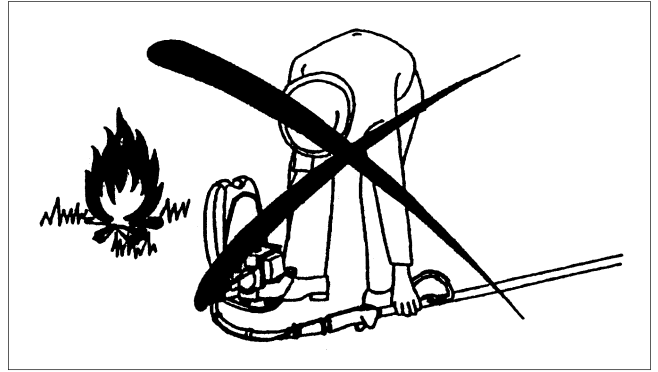
- Le condizioni del decespugliatore, e soprattutto della lama, dei dispositivi di protezione e della tracolla, devono essere controllate prima di cominciare il lavoro. Si deve prestare una particolare attenzione alle lame, che devono essere affilate correttamente.
- Spegnete il motore e staccate i connettori delle candele prima di sostituire o di affilare la lama, ed anche prima di pulire il decespugliatore o la lama.



Mai raddrizzare o saldare una lama danneggiata.

- Abbiare cura dell'ambiente. Fate funzionare il decespugliatore con quanto meno rumore e inquinamento possibili. In modo particolare, controllate che il carburatore sia regolato correttamente.
- Pulite il decespugliatore a intervalli regolari e assicuratevi che tutte le viti e i dadi siano stretti saldamente.
- Mai effettuare un intervento di manutenzione all'interno del decespugliatore o immagazzinarlo vicino a fiamme scoperte, scintille, ecc.
- Immagazzinate sempre il decespugliatore in una stanza chiusa a chiave ben ventilata e con il serbatoio del carburante vuoto.

ATTENZIONE: Per la prevenzione degli incidenti osservate e seguite le istruzioni dei sindacati pertinenti e delle compagnie di assicurazione. Non modificate in alcun modo il decespugliatore, perché ciò mette a repentaglio la vostra sicurezza.



Gli interventi di manutenzione e di riparazione da parte dell'utente si limitano a quelle attività descritte nel manuale di istruzioni. Tutti gli altri devono essere eseguiti da un tecnico di un centro di servizio autorizzato.

Usate soltanto i ricambi e gli accessori genuini forniti da MAKITA.

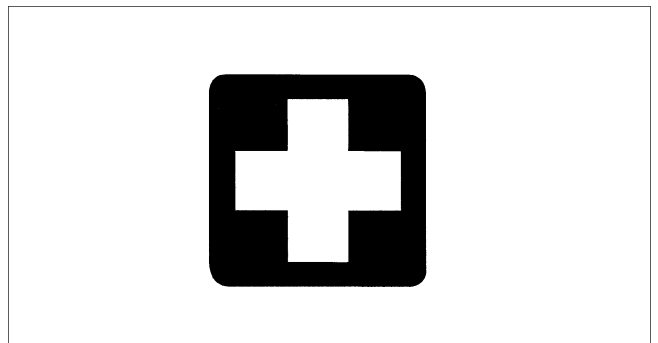
L'uso di accessori e attrezzi non raccomandati aumenta il pericolo di incidenti e di ferite. MAKITA declina ogni responsabilità per gli incidenti o danni causati dall'uso di dispositivi di fissaggio o accessori non raccomandati.

Pronto Soccorso

In caso di un incidente, assicuratevi che la cassetta del pronto soccorso sia subito accessibile dal posto di lavoro. Sostituite immediatamente qualsiasi cosa abbiate prelevato dalla cassetta del pronto soccorso.

Chiedendo aiuto, fornite le informazioni seguenti :

- Luogo dell'incidente
- Che cosa è successo
- Numero di feriti
- Tipo di ferite
- Il vostro nome



Imballaggio

Il decespugliatore MAKITA viene consegnato in due scatole di cartone di protezione, per evitare i danni durante il trasporto. Il cartone è il materiale base ed è perciò riutilizzabile o adatto al riciclo (riciclo della carta straccia).



DICHIARAZIONE DI CONFORMITÀ ALLE NORME CE

Modello: EBH341R

Con la presente dichiariamo sotto la nostra esclusiva responsabilità che questo prodotto è conforme agli standard ISO14865, ISO14740, EN55012 emanati in accordo alla direttiva 89/392CEE, successivamente modificata dalla 98/37/CEE e dalla 93/68/CEE, e alla direttiva 89/336/CEE successivamente modificata dalla 92/31/CEE.

Pressione acustica misurata: 108.4 db

Pressione acustica garantita: 113.3 db

Tali valori di pressione acustica sono stati misurati in accordo alla direttiva 2000/14/CEE.

Procedura di valutazione di conformità: Appendice 5.

CE2007



Tomoyasu Kato
Direttore

Produttore responsabile:

Makita Corporation.

3-11-8, Sumiyoshi-cho, Anjo, Aichi, GIAPPONE

Rappresentante esclusivo per l'Europa:

Makita International Europe Ltd.

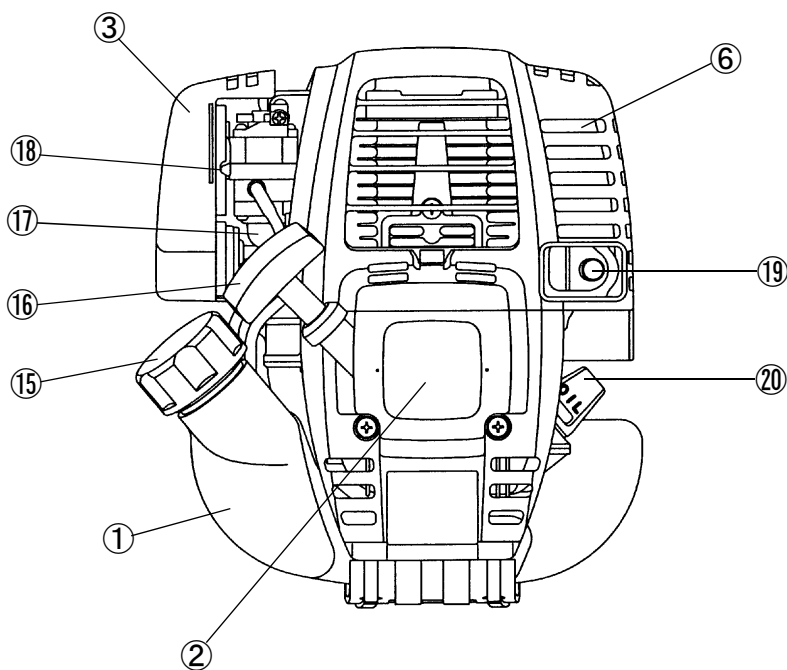
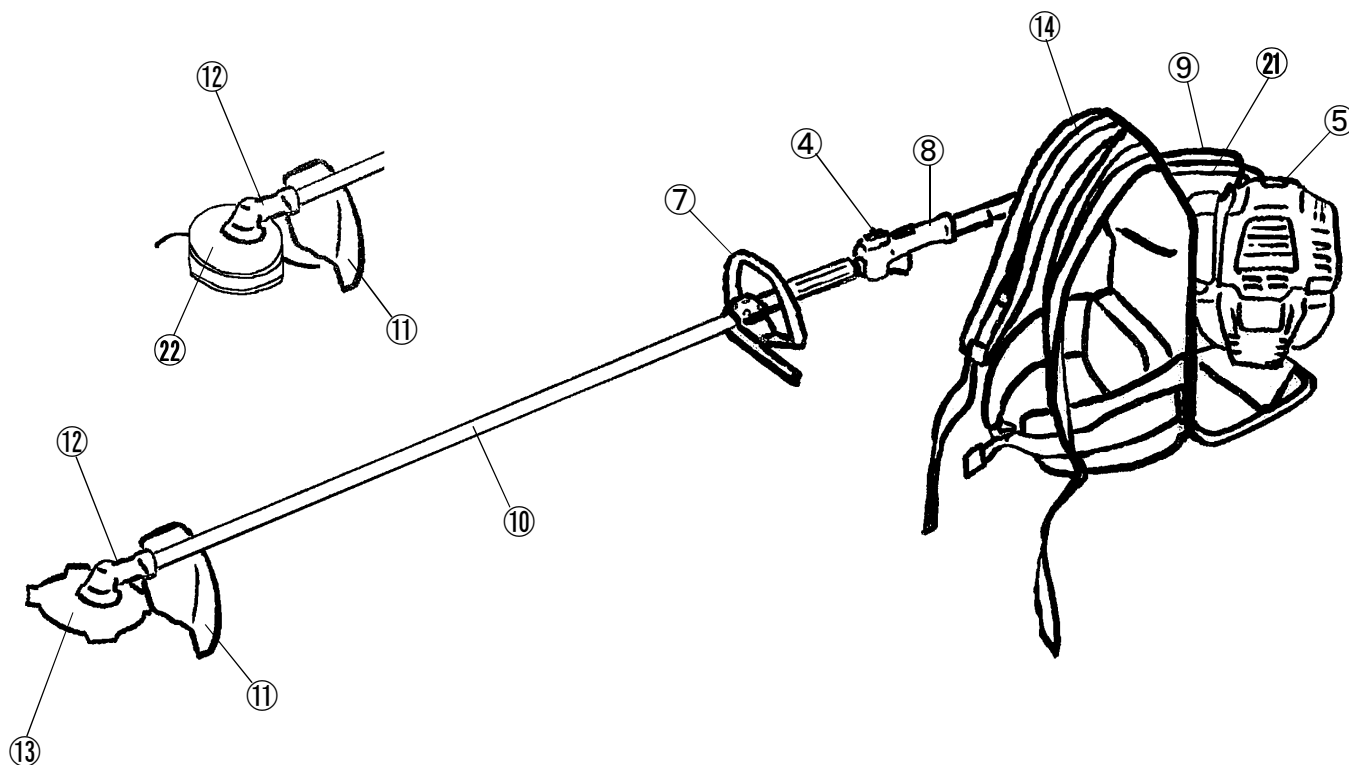
Michigan Drive, Tongwell, Milton Keynes, Bucks MK15 8JD, INGHILTERRA

DATI TECNICI

Modello		EBH341R			
		Manubrio ad anello			
		Lama	Testa da taglio con filo di Nylon		
Dimensioni: lunghezza x larghezza x altezza (scatola per tubo)		mm	430 x 280 x 430		
Peso (senza protezione di plastica e lama)		kg	10.2		
Volume (serbatoio)		L	0.65		
Accessorio di taglio (diam. della lama di taglio)		mm	255		
Cilindrata motore		cm ³	33.5		
Max. prestazione del motore		kw	1.07 a 7000 min ⁻¹		
Velocità del motore alla velocità massima dell'asse raccomandata		min ⁻¹	10000		
Velocità massima dell'asse (corrispondente)		min ⁻¹	7500		
Consumo di carburante		kg/h	0.458		
Consumo specifico di carburante		g/kwh	426		
Velocità del minimo		min ⁻¹	3000		
Velocità di innesto frizione		min ⁻¹	4100		
Carburatore (a membrana)		tipo	WALBRO WYL		
Sistema d'accensione		tipo	Accensione a stato solido		
Candela		tipo	NGK CMR6A		
Distanza fra gli elettrodi		mm	0.7 - 0.8		
Vibrazioni per ISO 7916 ¹⁾	Manico destro (impugnatura posteriore)	Minimo	m/s ²	0.6	0.7
		Fuga o W.O.T	m/s ²	4.0	5.59
	Manico sinistro (impugnatura anteriore)	Minimo	m/s ²	0.85	0.82
		Fuga o W.O.T	m/s ²	4.78	8.12
Livello medio di pressione del suono per ISO 7917 ¹⁾		dB	89.3	97.1	
Livello medio di potenza del suono per ISO 10884 ¹⁾		dB	104.3	108.4	
Carburante		Benzina per autoveicolo			
Olio per motore		SAE 10W- 30 olio della classificazione API, classe SF o superiore(motore a quattro tempi per automobile)			
Rapporto di trasmissione		15/20			

1) Questi dati tengono ugualmente conto dei modi operativi al minimo, alla velocità massima o con l'acceleratore completamente aperto.

NOME DELLE PARTI



1	DENOMINAZIONE DELLE SINGOLE PARTI
1	Serbatoio
2	Starter riavvolgimento
3	Filtro dell'aria
4	Interruttore on/off
5	Candela d'accensione
6	Marmitta di scarico
7	Manubrio
8	Leva di comando
9	Cavo di comando
10	Albero
11	Protezione
12	Scatola ingranaggi
13	Lama
14	Tracolla
15	Tappo serbatoio
16	Manopola di avviamento
17	Pompa di adescamento
18	Leva dello starter
19	Tubo di scarico
20	Indicatore di livello dell'olio
21	Tubo flessibile
22	Testa da taglio con filo di Nylon

MONTAGGIO DEL MOTORE E DELL'ALBERO DI TRASMISSIONE

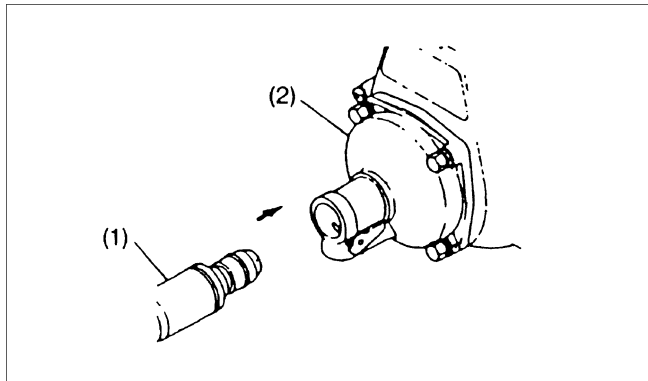
ATTENZIONE: Prima di eseguire qualsiasi intervento sul decespugliatore, spegnete sempre il motore e staccate i connettori delle candele. State attenti alle parti calde del motore e ai bordi affilati delle lame. Indossate sempre i guanti di protezione!

ATTENZIONE: Avviate il decespugliatore soltanto dopo averlo montato completamente.

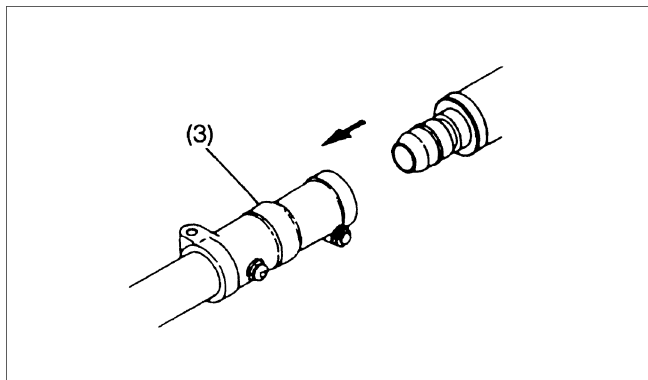


1. Unendo il tubo flessibile con il motore e la scatola la portante del tubo

Inserite un'estremità del tubo flessibile nella cassa di cambio del motore finché si blocca con suono secco. Inserite un'altra estremità del tubo flessibile nella scatola portante del tubo del decespugliatore finché si blocca. Ogni estremità del tubo flessibile è intercambiabile. Assicuratevi che l'estremità squadrata del tubo flessibile entra nel giunto dell'albero di trazione.

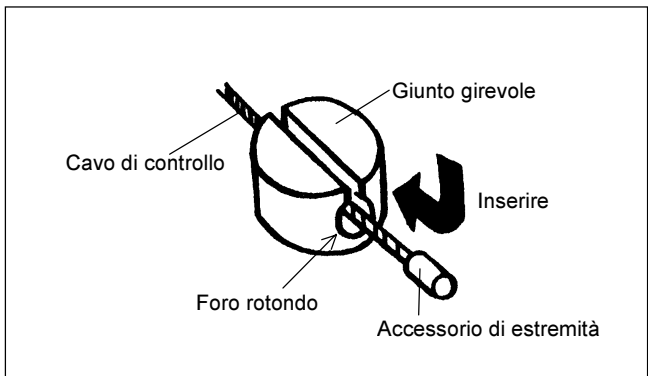
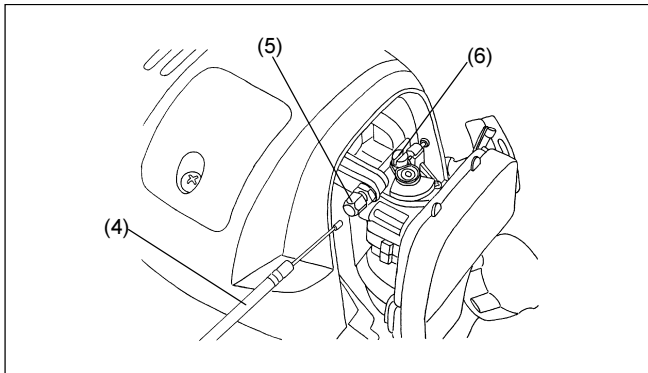


Attenzione : Se vi sembra difficile inserire il tubo flessibile, può darsi che l'estremità squadrata dell'albero flessibile non entri nel giunto dell'albero di trazione. Non forzate di spingere per evitare i danni sull'estremità dell'albero di trazione. Ripetete la stessa procedura finché l'albero ed il tubo flessibili si adattano sicuramente.



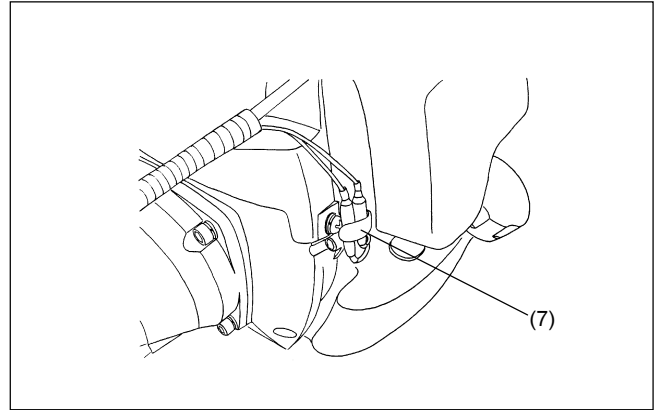
2. Montaggio del cavo di comando

- Togliere la coperta del filtro.
- Mettere il cavo di comando (4) nel bullone di regolazione (5), e spostare il tornichetto (6) in modo che il cavo sea messo nil incavo del tornichetto. Allora, il lato foro rotondo del tornichetto girà verso il raccordo metallico di estremità del fil interno.
- Staccare the swivel, e confermare che il raccordo metallico di estremità del filo interno sia messo nel foro.
- Mettere la coperchio del filtro dell'aria.



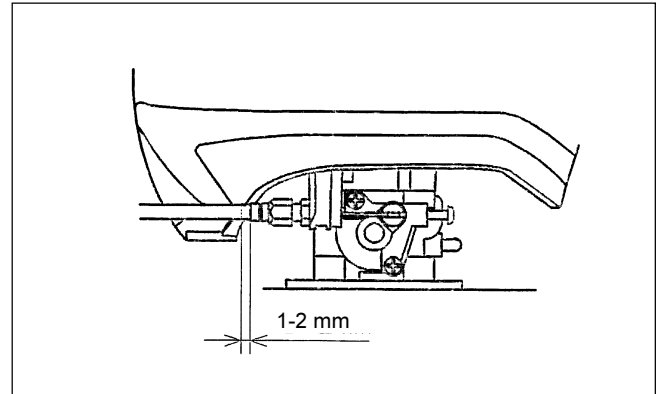
COLLEGAMENTO DEL FILO DELL'INTERRUTTORE

- Collegare il cordone d'interruttore con i due cordoni dal motore inserendo l'uno nell'altro.
- Fissare il raccordo di cordone con morsetto (7).

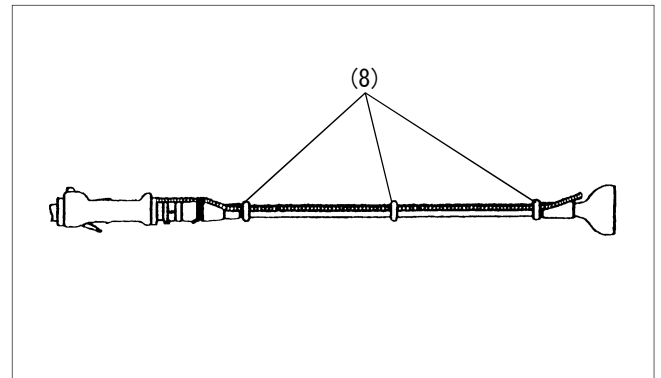


REGOLAMENTO DEL CAVO DI COMANDO

Regolare il cavo di comando con bullone di regolazione in modo che esso abbia un gioco di 1 a 2 mm se la leva di comando è messa alla posizione de velocità bassa. (Fare attenzione che la lama da taglio non gira al minimo.)

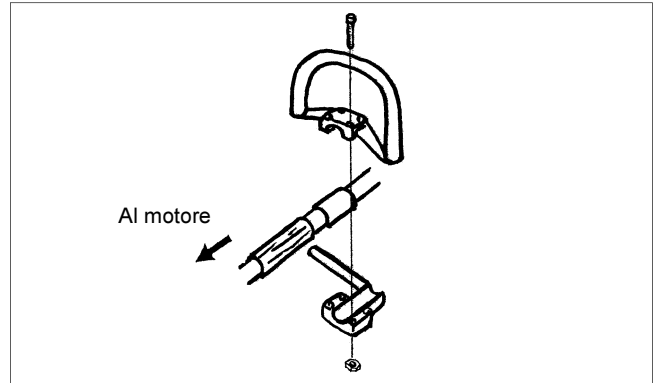


Assicurarsi che cavo di comando del gas e cavi dell'interruttore di spegnimento siano stesi lungo il tubo flessibile e fissateli saldamente in tre punti con delle fascette (8). Se il cavo di comando del gas e i cavi dell'interruttore di spegnimento non vengono fissati saldamente, c'è il rischio che restino impigliati in rami e cose del genere e questo è pericoloso.



MONTAGGIO DEL MANUBRIO

- Fissate una barriera al lato sinistro del decespugliatore insieme con il manubrio per la sicurezza degli operatori.
- Non avvicinate il manubrio ad anello all'impugnatura. Mantente la posizione tra il manubrio e l'impugnatura a 25 cm di distanza. (A questo scopo viene fornito un collare di distanza.)



MONTAGGIO DELLA PROTEZIONE

Per ottemperare alle norme sulla sicurezza si devono usare soltanto le combinazioni utensile/protezione indicate nella tabella. In caso contrario, si possono verificare seri pericoli di ferite gravi o morte per l'utente o gli astanti.

Usate esclusivamente lame o teste da taglio con filo in nylon MAKITA genuine.

- La lama deve essere pulita, affilata e senza crepe o rotture. Se durante il lavoro la lama urta contro un qualsiasi oggetto duro o una pietra, arrestate immediatamente il motore e controllatela.
- Pulite e affilate o sostituite la lama almeno dopo ogni tre ore d'uso.
- Il diametro esterno della lama non deve superare i 255 mm (10-1/32"). Mai usare lame con un diametro esterno superiore ai 255 mm (10-1/32").

ATTENZIONE: Per la propria sicurezza e per ottemperare alle norme sulla prevenzione degli incidenti si deve usare sempre la protezione appropriata. Non bisogna cercare mai di utilizzare l'utensile senza la protezione correttamente in posizione.

- Fissare saldamente, con 4 bulloni, un elemento di protezione alla scatola degli ingranaggi. Non utilizzare mai il decespugliatore senza elemento di protezione o con un elemento di protezione rotto.

MONTAGGIO DELLA LAMA O DELLA TESTA DA TAGLIO CON FILO DI NYLON

Capovolgete l'utensile per poter sostituire facilmente la lama o la testa da taglio con filo di nylon.

Montaggio della lama

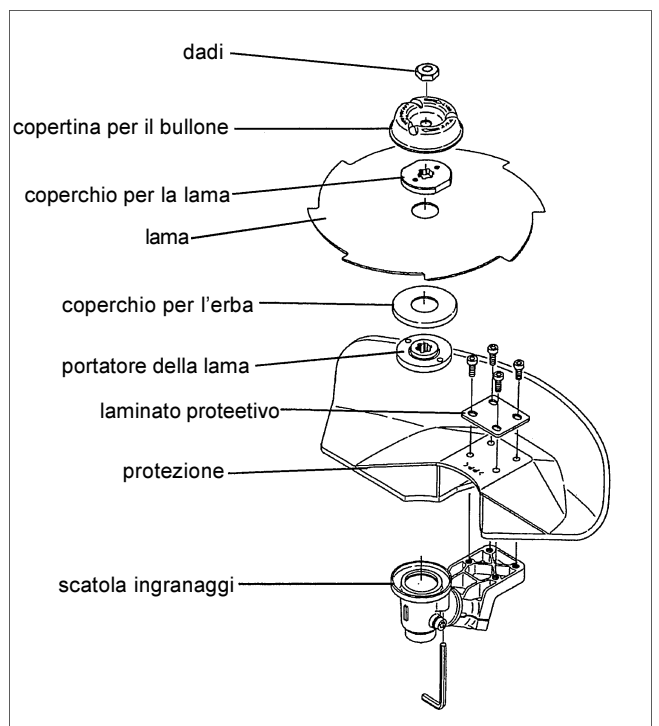
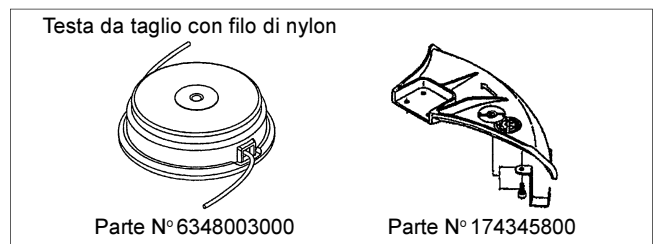
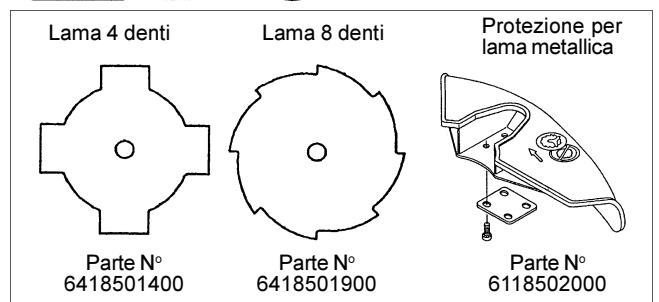
- Attrezzate la lama ed altre parti in ordine come si mostra in figura. Inserite una barra oppure una chiave esagonale nel foro della scatola ingranaggi finché la lama si blocca e non gira più stringete il dado della lama girandolo in senso antiorario. (Fate attenzione che il dado della lama è allentato oppure stretto in direzione opposta ai dadi normali).
- Il dado per la lama dev'essere ri-stretto ogni volta prima di usare.
- Per questo decespugliatore, vi raccomandiamo gli accessori da togliere mostrati sul lato destro.
- Mai tagliate dei alberi, delle leghe, dei legni oppure altri oggetti solidi.

[Coppia di serraggio: 28 - 48 N · m]

NOTA : Indossare i guanti quando si tocca la lama.

Montaggio della testa da taglio con filo di nylon

- La coperchio per la lama, la copertina per il bullone e il dadi non sono necessari per montare la testa da taglio di nylon. La testa da taglio con filo di nylon deve andare sopra la coperchio per l'erba.
- Inserire la chiave esagonale nel foro della scatola degli ingranaggi e far ruotare la portatore della lama fino a che sia bloccata con chiave esagonale.
- Poi avvitare la testa da taglio con filo di nylon sull'albero girandola in senso antiorario.
- Togliere la chiave esagonale.



PRIMA DELLA MESSA IN MOTO



Ispezione e rabbocco dell'olio motore

- A motore freddo, seguire le seguenti istruzioni.
- Mantenendo in piano il motore, togliere l'indicatore dell'olio e verificare che il livello sia compreso tra i limiti superiore ed inferiore.
- Se l'indicatore dell'olio, inserito ma non avvitato nella sua sede, sfiora appena il livello dell'olio nel motore (Fig.1), l'olio è insufficiente e necessita di rabbocco.
- A titolo di informazione, il tempo di rifornimento è di circa 15 h (frequenza di rifornimento : 15 volte).
- Se l'olio cambia di colore oppure si meschia con sporcizia, rinnovarlo. (Quanto all'intervallo e metodo di sostituzione, consultare la pagina 80.)

olio raccomandato : SAE 10W - 30 olio della classificazione API, Classe SF o superiore (motore a quattro tempi per automobile)

Capacità del serbatoio : Ca 0.1L

Attenzione : Se il motore non rimane montante, l'olio può entrare in tutto il motore con rifornimento eccessivo.

Se l'olio è riempito oltre il limite, l'olio può essere inquinato o prendere fuoco con fumo bianco.

NOTA 1: sostituzione dell'olio nell' " indicatore di livello d'olio "

- Togliere le polveri e le sporcizie vicini al foro di rifornimento dell'olio, e levare l'indicatore di livello dell'olio.
- Mantenere pulito l'indicatore del livello dell'olio. Diversamente, lo sporco, aderendo all'indicatore, può provocare una circolazione irregolare dell'olio e/o gravi danni al motore.
- Per tenere pulito l'indicatore stesso per esempio, è raccomandato di inserire l'indicatore di livello d'olio nel coperchio del motore come da Fig. 3.



Fig.1

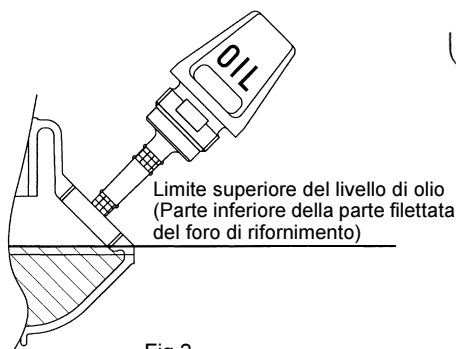


Fig.2

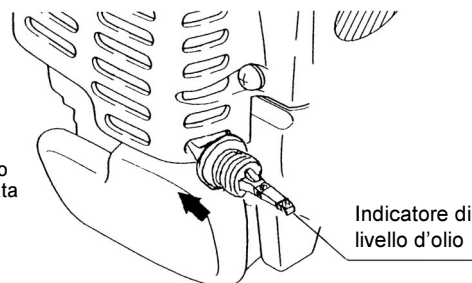
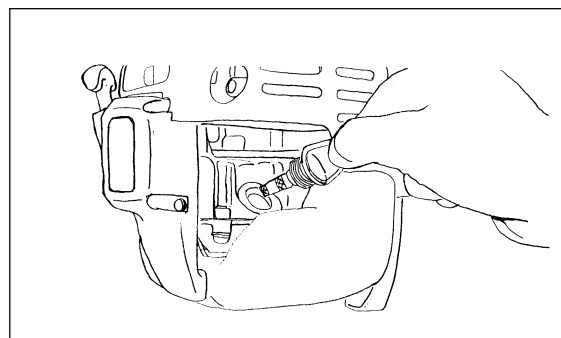
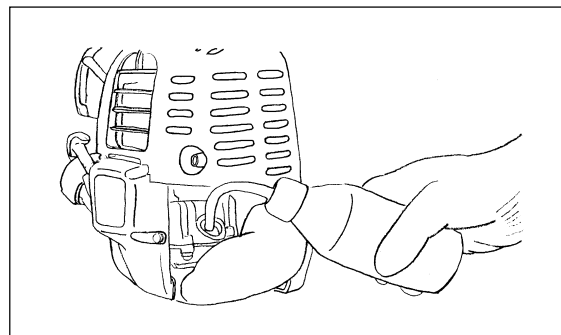


Fig.3

- (1) Tenere il motore a livello, e togliere l'indicatore di livello dell'olio.



- (2) Rabboccare l'olio fino al foro di rifornimento. (Consultare la figura della pagina precedente.)
Aggiungere l'olio con il suo recipiente di rifornimento di lubrificante.



- (3) Stringere fermamente l'indicatore di livello d'olio. Una chiusura insufficiente provocherà una perdita d'olio.

Nota 2: Sostituzione dell'olio : "Se l'olio si sparge"

- Se l'olio si sparge fra il serbatoio di carburante e il corpo motore, l'olio è aspirato all'interno attraverso la presa d'aria di raffreddamento, sporcando il motore. Non mancare di pulire l'olio sparso prima di mettere in moto.

RIFORNIMENTO

Trattamento del carburante

E' necessario trattare il carburante con cura particolare. Il carburante può contenere delle materie simili ai solventi. Il rifornimento deve essere fatto in una locale ben ventilato o all'aperto. Non inalare mai il vapore di carburante, tenere lontano dal carburante. Se si tocca il carburante spesso o per lungo tempo, la pelle si dissecherà, provocando diversi disturbi della pelle e allergie. In caso di contatto con gli occhi, lavare immediatamente con acqua. Se l'occhio rimane irritato ancora, consultare il medico.

Conservazione del carburante

Il carburante deve essere utilizzato totalmente entro quattro settimane, anche se è conservato in un recipiente speciale all'ombra e ben ventilato. Se il carburante non è conservato nel recipiente speciale o se il recipiente non è coperto, il carburante si deteriora in un giorno.

IMMAGAZZINAGGIO DELLA MACCHINA E DEL SERBATOIO DI RIFORNIMENTO

- Conservare la macchina e il serbatoio in un luogo fresco al riparo della luce diretta.
- Non conservare mai il carburante nella cabina o nel bagagliaio.

Carburante

Il motore è a quattro tempi. Utilizzare sempre la benzina per automobile (benzina senza plombo ou benzina super).

NOTA: il carburante

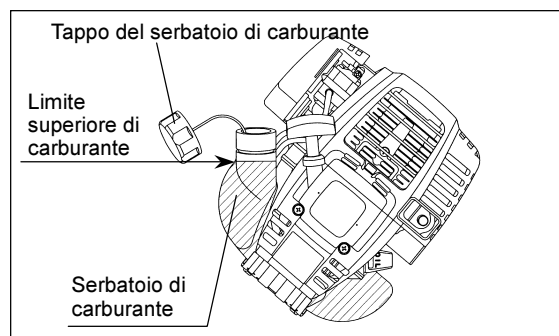
- Non utilizzare nessuna miscela di benzina che comprende dell'oliomotore. Questo provocherebbe un'accumulazione eccessiva di residui carboniosi o disturbi meccanici.
- Un olio deteriorato provocherà un avviamento irregolare.

Rifornimento

AVVERTIMENTO : DIVIETO DI ACCENDERE FUOCHI

Benzina utilizzata : benzina per automobile

- Allentare un poco il tappo di serbatoio in modo che ci non sia nessuna differenza di pressione atmosferica..
 - Togliere il tappo di serbatoio, scaricare l'aria, inclinando il serbatoio di carburante in modo che il foro di carburante sia voltato in alto. (Non rifornire mai di carburante fino al foro di rifornimento d'olio.)
 - Pulire completamente le vicinanze del tappo di serbatoio per prevenire l'entrata di corpi estranei nel serbatoio di carburante.
 - Dopo di rifornimento, stringere fermamente il tappo di serbatoio.
- Se c'è qualsiasi difetto o guasto sul tappo del serbatoio, sostituirlo.
 - Il tappo del serbatoio, che è un pezzo di consumo, deve essere rinnovato tutti i due o tre anni.



AVVIAMENTO E ARRESTO DELLA MACCHINA

Rispettare le norme di prevenzione degli infortuni!

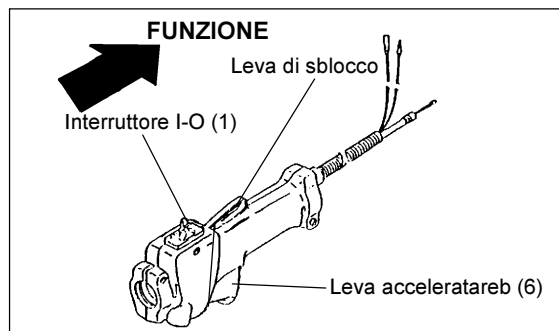
AVVIAMENTO

Mantenere una distanza di almeno 3 m dal luogo in cui è avvenuto il rifornimento. Collocare il decespugliatore in un punto pulito facendo attenzione che l'utensile non tocchi il terreno né altri oggetti.



A: Avviamento a freddo

1) Mettere questa macchina sul terreno piatto.

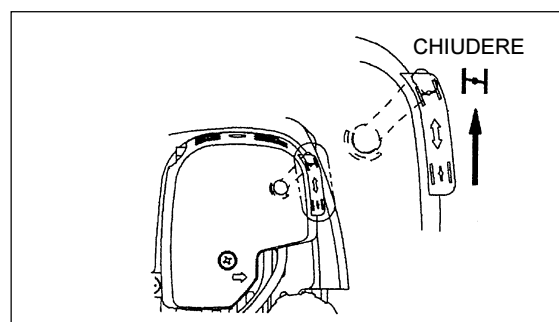


2) Mettere l'interruttore I-O (1) sulla posizione "OPERATION".

3) Chiudere la leva dello starter.

Aprire la leva dello starter:

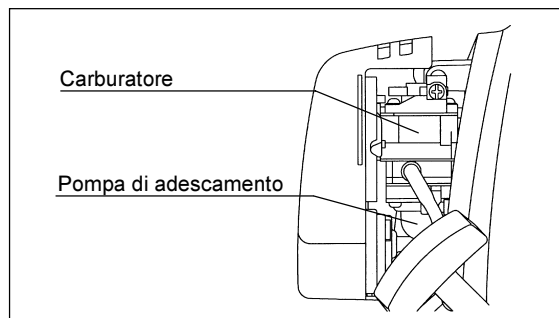
- Chiusura totale con climi freddi o quando il motore rimane freddo.
- Apertura totale o a metà al momento del riavviamento immediatamente dopo arresto di funzionamento.



4) Pompa di adescamento

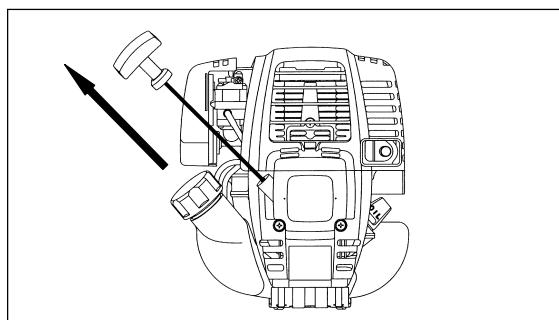
Continuare a premere la pompa di adescamento finché il carburante entra nella la pompa di adescamento. (In generale, il carburante entra nella pompa di adescamento con 7/10 spinte.)

Se la pompa di adescamento è premuta eccessivamente, un eccesso della benzina ritorna al serbatoio di carburante.



5) Impugnatura (manopola) di avviamento

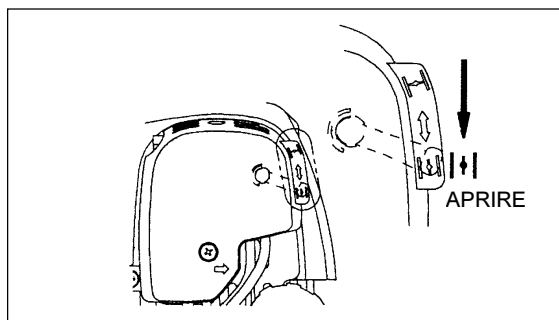
- Tirare la manopola di avviamento finché risulta difficoltoso (punto di compressione). Poi, fare ritornare la manopola di avviamento e tirarla forte.
- Non tirare il cavo al massimo. Una volta che la impugnatura di avviamento è tirata, non abbandonare presa immediatamente. Prendere la manopola di avviamento finché essa ritorna al punto di partenza.



6) Leva dello starter.

Quando il motore avvia, aprire la leva di regolazione.

- Aprire la leva di regolazione passo a passo, verificando la rotazione del motore. Assicurarsi di aprire la leva dello starter al massimo.
- Nel tempo freddo o quando il motore rimane freddo, non aprire la leva dello starter, altrimenti il motore può arrestarsi.



7) Riscaldamento

Continuare l'operazione di riscaldamento per due o tre minuti.

- Attenzione: – Se si tira ripetutamente troppe volte la manopola d'avvio con la leva dello starter su posizione "START", si causa un eccesso di afflusso di combustibile che rende difficile l'avvio del motore.
- Qualora ci sia stato un eccesso di afflusso di combustibile, staccare la candela di accensione, tirare lentamente più volte la manopola d'avvio e fare uscire il combustibile in eccesso. Inoltre, asciugare gli elettrodi della candela di accensione.

Attenzione durante il funzionamento:

Se si aziona completamente la leva dell'acceleratore durante la marcia a vuoto, la rotazione del motore aumenta a 10.000 /min e oltre. Non far funzionare il motore a velocità maggiori di quelle indicate e a una velocità di circa 6.000-8.500 /min.

B: Avviamento dopo il riscaldamento

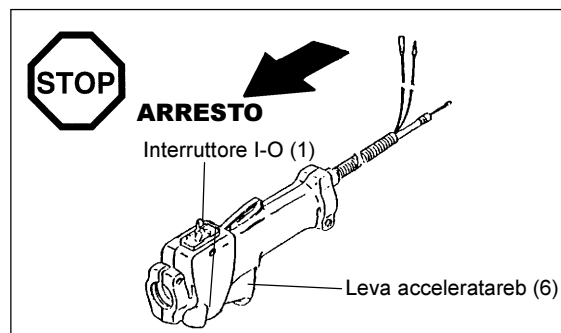
- 1) Premere la pompa di adescamento ripetutamente.
- 2) Mettere l'acceleratore su posizione al minimo.
- 3) Tirare la manopola di avviamento con forza.
- 4) Se è difficile avviare il motore, aprire l'acceleratore circa un terzo. Durante l'operazione, prestare attenzione alla lama che può ruotare.

Attenzione durante il funzionamento

Quando il motore funziona capovolto, un fumo bianco può uscire dal silenziatore

Arresto

- 1) Rilasciare l'acceleratore (6) e, quando i giri del motore diminuiscono, mettere l'interruttore I-O sulla posizione "ARRESTO". Il motore si ferma.
- 2) Fare attenzione che la testa da taglio non può fermarsi immediatamente, aiutarla a fermarsi.

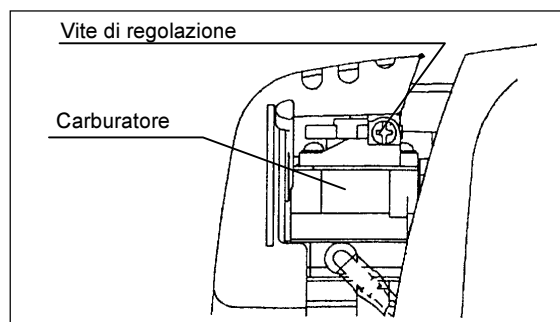


REGOLAZIONE DELLA ROTAZIONE A VELOCITÀ BASSA (FUNZIONAMENTO AL MINIMO)

Quando è necessario regolare la rotazione a velocità bassa (funzionamento al minimo), farlo regolando la vite di regolazione del carburatore.

CONTROLLO DELLA ROTAZIONE A VELOCITÀ BASSA

- Mettere la rotazione a velocità bassa a 3000 /min. Se è necessario cambiare la velocità di rotazione, regolare la vite di regolazione (come indicato a sinistra) con giravite a croce.
- Girare la vite di regolazione a destra, e la velocità del motore aumenterà. Girare la vite di regolazione a sinistra, la velocità del motore diminuirà.
- Il carburatore è in generale regolato in fabbrica. Se è necessario regolarlo di nuovo, consultare il Servizio Assistenza Autorizzato.

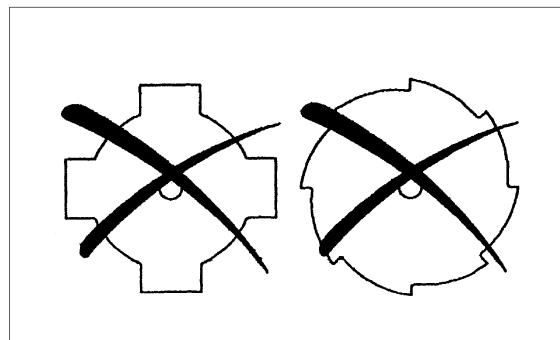


AFFILATURA DELLA LAMA

ATTENZIONE: L'affilatura manuale produce il deterioramento dell'equilibrio del decespugliatore, che causa potenziali vibrazioni pericolose e danni all'utensile.

- Lama (lama a 4 denti, lama a 8 denti)
- I centri di servizio autorizzati possono provvedere all'affilatura e all'equilibratura professionali della lama.

NOTA: Per aumentare la vita di servizio della lama (lama a stella, lama a mulinello), essa può essere capovolta una volta finché entrambi i bordi di taglio non sono diventati smussati. Mai continuare ad usare una lama amussata, perché ciò può causare rinculi con pericolo di ferite gravi.



ISTRUZIONI DI MANUTENZIONE

ATTENZIONE: prima di eseguire qualsiasi operazione, spegnere il motore ed estrarre la calotta della candela d'accensione (v. "Controllo della candela d'accensione").
Indossare sempre guanti di protezione!



Onde garantire una lunga durata dell'utensile ed evitare danneggiamenti, eseguire regolarmente le seguenti operazioni.

Controllo e manutenzione quotidiani

- Prima di iniziare a lavorare controllare che le viti siano ben serrate e che non manchi nessuna parte. Prestare particolare attenzione alle condizioni della lama e della testa la taglio con filo di nylon.
- Controllare che il passaggio dell'aria di raffreddamento e le alette del cilindro non siano intasati. Eventualmente pulirli.
- Ogni giorno, a lavoro ultimato, eseguire le seguenti operazioni:
 - pulire il Decespugliatore esternamente e controllare che non vi siano danni;
 - pulire il filtro dell'aria; in presenza di molta polvere, pulire il filtro più volte al giorno;
 - controllare che la lama o la testa da taglio con filo di nylon non siano danneggiati e assicurarsi che siano perfettamente montati;
 - controllare che vi sia un'adeguata differenza tra il minimo e la velocità d'innesto per garantire che l'utensile da taglio sia fermo mentre il motore è al minimo (se necessario ridurre il minimo). Se l'utensile da taglio continua a funzionare quando il motore è al minimo, consultare il Servizio Assistenza.
- Controllare il funzionamento dell'interruttore on/off, della leva di sbloccaggio, della leva di comando e del pulsante di bloccaggio.

SOSTITUZIONE DELL'OLIO MOTORE

Un olio motore deteriorato diminuirà considerevolmente la lubrificazione. Verificare il periodo e la quantità di sostituzione.



ATTENZIONE : In generale, il corpo del motore e l'olio motore rimangono a lungo caldi dopo dell'arresto del motore.

Per sostituire l'olio, controllare che il corpo del motore e l'olio motore siano sufficientemente freddi, altrimenti sussiste pericolo di ustione.

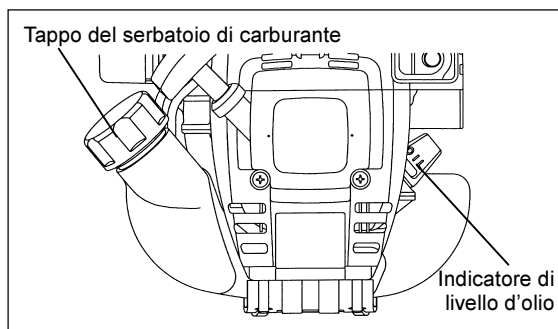
Attenzione : Se l'olio è rifornito oltre il limite, esso può essere inquinato o può prendere fuoco con fumo bianco.

Intervallo di sostituzione : Inizialmente, ogni 20 ore di funzionamento, e successivamente ogni 50 ore di funzionamento

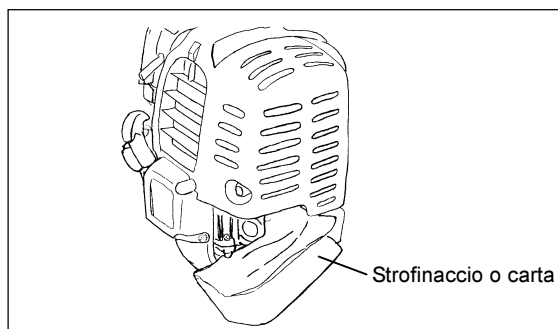
Olio raccomandato : SAE10W-30 de la Classificazione API, Classe SF o superiore (olio a quattro tempi per automobile)

Al momento della sostituzione, seguire il metodo seguente :

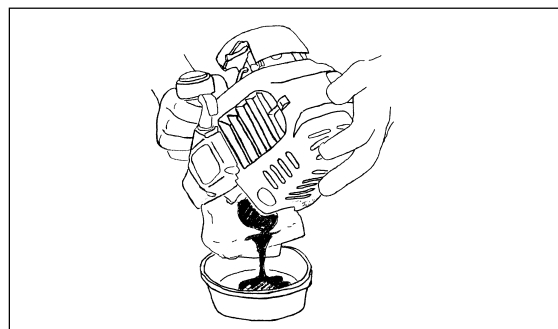
- 1) Verificare che il tappo di serbatoio è stretto perfettamente.
- 2) Togliere l'indicatore di livello d'olio.
Tenere l'indicatore di livello d'olio senza polvere o sporcizia.



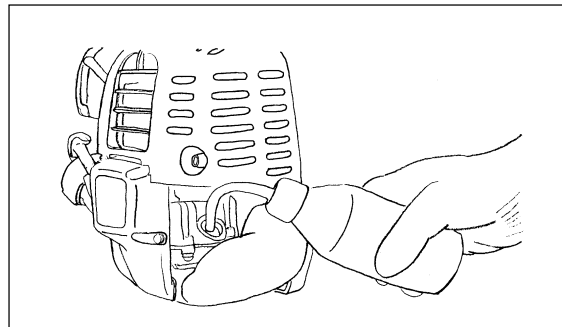
- 3) Mettere uno strofinaccio o carta vicino al foro di rifornimento d'olio.



- 4) Togliere l'indicatore di livello dell'olio e scaricare l'olio inclinando il corpo verso il foro di rifornimento.
Scaricare l'olio in un recipiente.



- 5) Tenere il motore a livello, e aggiungere olio nuovo fino all'estremità del foro di rifornimento dell'olio.
In rifornimento, utilizzare il suo recipiente di rifornimento di lubrificante.
- 6) Dopo il rifornimento, serrare fermamente l'indicatore di livello dell'olio.
Una chiusura insufficiente dell'indicatore di livello d'olio provocherà una perdita d'olio.



NOTE SULL'OLIO

- Non gettare l'olio motore nei rifiuti, sul terreno o nella fognatura. La disposizione degli oli è sotto controllo legale. In disposizione, rispettare le leggi e regolamenti. Quanto ai punti dubbi, consultare il Servizio Assistenza Autorizzato.
- L'olio può deteriorarsi anche se rimane non utilizzato. Fare il controllo e la sostituzione ad intervalli periodici (sostituzione con un olio nuovo ogni 6 mesi)

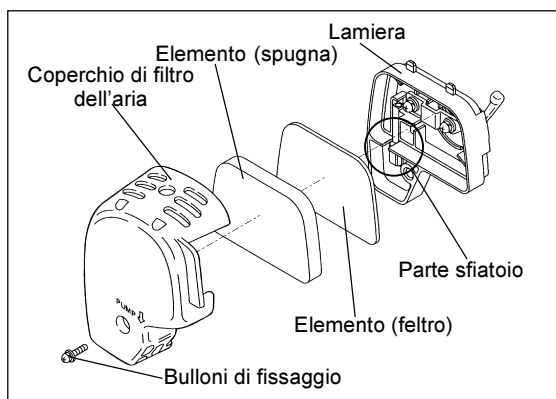
PULITURA DEL FILTRO DELL'ARIA



PERICOLO : DIVIETO DI ACCENDERE FUOCHI

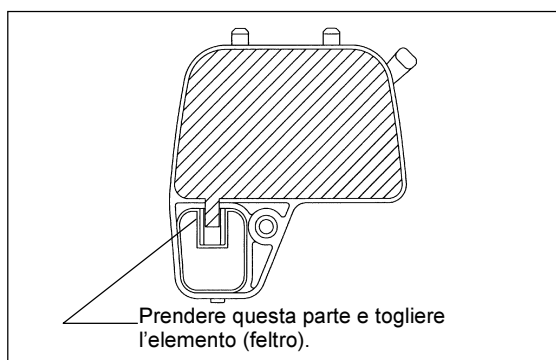
Intervallo di pulizia e di controllo : Quotidiano (ogni 10 ore di funzionamento)

- Girare la leva di regolazione e fondo verso il lato chiusura, e tenere il carburatore senza polvere o sporcizia.
- Rimuovere i bulloni di fissaggio del Coperchio del filtro dell'aria.
- Tirare il lato inferiore del coperchio e levare il coperchio del filtro dell'aria.
- Se l'olio aderisce all'elemento (spugna), spremerlo fortemente.
- Per inguasti gravi :
 - 1) Togliere l'elemento (spugna), immergerlo nell'acqua calda o nel detergente neutro diluito d'acqua, e far assicarlo completamente.
 - 2) Pulire l'elemento (feltro) con gasolina, e far assicarlo completamente.
- Prima di mettere l'elemento, far assicarlo completamente. Se l'elemento non si assicga completamente, l'avviamento può essere difficile.
- Asciugare con taglio di stoffa l'olio aderente al coperchio del filtro dell'aria e allo sfiatoio a piastra.
- Immediatamente dopo la pulizia, rimontare il coperchio del filtro e serrarlo con bulloni di fissaggio. (In rimontaggio, prima mettere la griffa superiore e poi la griffa inferiore.)



Maneggio dell'elemento del filtro dell'aria

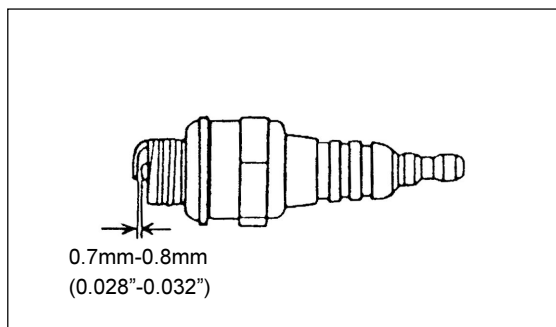
- Pulire l'elemento alcune volte al giorno se c'è dei polveri eccessivi aderenti.
- Se il funzionamento continue con l'elemento aderente di olio, l'olio nel filtro dell'aria può cadere fuori, causando l'inquinamento da olio.



CONTROLLO DELLA CANDELA D'ACCENSIONE

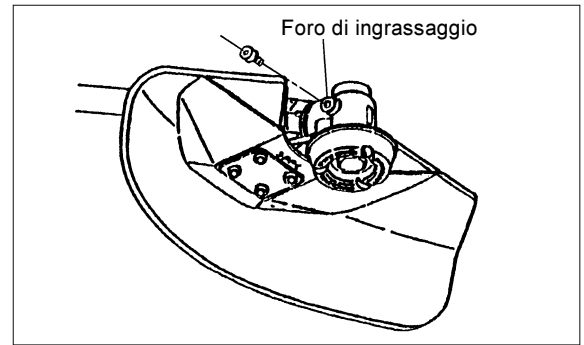
- Per montare o smontare la candela utilizzare solo la chiave universale in dotazione.
- Tra gli elettrodi ci deve essere uno spazio di 0,7-0,8 mm. Se lo spazio è troppo largo o troppo stretto, regolarlo. Se la candela è sporca, pulirla o sostituirla.

ATTENZIONE: non toccare il connettore della candela mentre il motore è in funzione (pericolo di scossa elettrica ad alta tensione).



Lubrificazione della scatola ingranaggi

- Lubrificare la scatola ingranaggi dopo ogni 30 ore d'uso attraverso il foro di ingrassaggio.



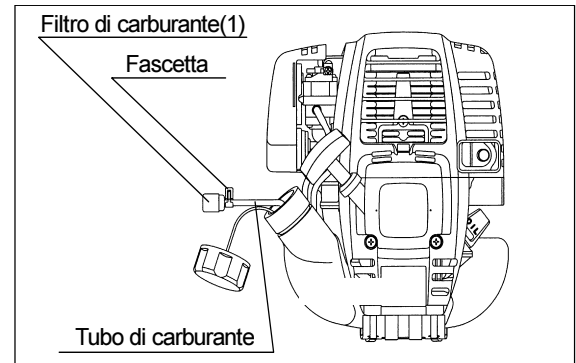
PULITURA DEL FILTRO DI CARBURANTE

ATTENZIONE: DIVIETO DI ACCENDERE FUOCHI

Intervallo di pulitura e di controllo : Mensile (ogni 50 ore di funzionamento)

Tubo d'aspirazione del serbatoio

- Il filtro di carburante (1) del tubo d'aspirazione serve a filtrare il carburante.
- Il filtro va controllato periodicamente. A questo scopo aprire il tappo del serbatoio e, aiutandosi con un gancio, estrarre il tubo d'aspirazione. Se necessario sostituire il filtro.
- Una cattiva alimentazione del carburante può provocare un aumento eccessivo della velocità consentita. Per questo motivo è molto importante che il filtro venga sostituito almeno ogni tre mesi onde garantire un'adeguata alimentazione del carburante.



SOSTITUZIONE DEL TUBO DI CARBURANTE

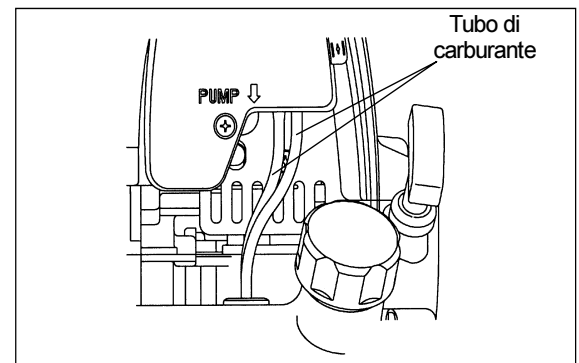
ATTENZIONE : DIVIETO DI ACCENDERE FUOCHI

Intervallo di pulitura e di controllo : Quotidiano (ogni 10 ore di funzionamento)

Sostituzione : Annuale (ogni 200 ore di funzionamento)

Sostituire il tubo di carburante ogni anno, senza riguardo alla frequenza di funzionamento. Una perdita di carburante provocherà un incendio.

Se c'è una perdita durante controllo, sostituire il tubo immediatamente.



CONTROLLO BULLONI, DADI E VITI

- Serrare di nuovo i bulloni, dadi, etc allentati.
- Verificare la perdita di carburante e d'olio.
- Sostituire i pezzi guasti con quelli nuovi per sicurezza di funzionamento.

PULITURA DEI PEZZI

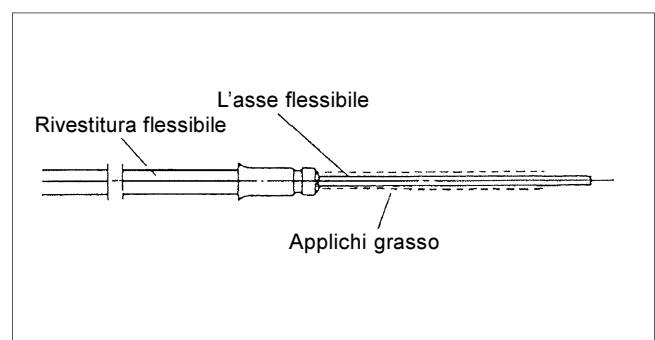
- Tenere il motore sempre pulito.
- Tenere le alette di cilindro senza polvere o sporcizia. Dei polveri o delle sporcizie aderenti alle alette provocheranno un grippaggio.

SOSTITUZIONE DELLE GUARNIZIONI

In rimontaggio dopo che il motore è smontato, non mancare di sostituire le guarnizioni con quelle nuove.

APPROVVIGIONAMENTO DI GRASSO ALL'ASSE FLESSIBILE

- Estragga l'asse flessibile dalla rivestitura flessibile per ogni 20 ore, ed applichi grasso sull'asse flessibile.
- L'asse del flexibile si può rompere se niente grasso è applicato.



Qualsiasi intervento di manutenzione o di regolazione non incluso o descritto in questo manuale deve essere eseguito soltanto da un tecnico di un centro di servizio autorizzato.

IMMAGAZZINAGGIO



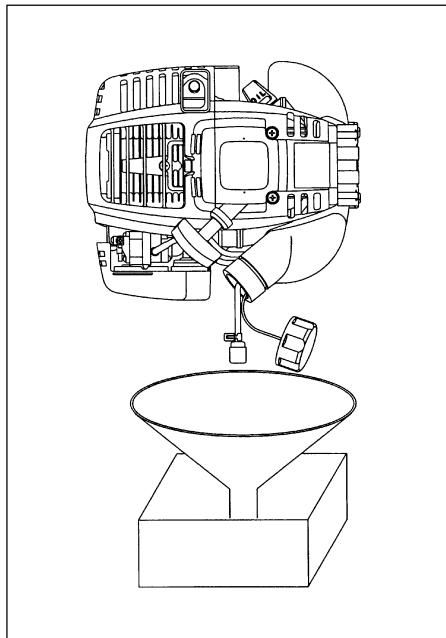
AVVERTIMENTO: Nel scaricare il carburante, è necessario arrestare il motore e confermare che il motore diventi freddo pienamente.

Appunto dopo di aver arrestato il motore, esso può essere caldo ancora provocando una bruciatura, infiammabilità e incendio.



ATTENZIONE: Quando la macchina è messa fuori funzionamento per lungo tempo, scaricare tutto il carburante del serbatoio di carburante et del carburatore, e consrvarlo in un luogo secco e netto.

- Scaricare completamente il carburante del serbatoio di carburante e del carburatore secondo la procedura seguente :
 - 1) Togliere il tappo del serbatoio di carburante, e scaricare il carburante compleltamente.
Se c'è alcun corpo estraneo nel serbatoio di carburante, toglierlo completamente.
 - 2) Tirare fuori il filtro del carburante dal portello di rifornimento, usando il filo.
 - 3) Spingere la pompa di adescamento finché il carburante sia scaricato da là, e scaricare il carburante entrante nel serbatoio di carburante.
 - 4) Rimettere il filtro nel serbatoio di carburante e serrare fermamente il tappo del serbatoio di carburante.
 - 5) Poi, continuare a far funzionare il motore finché il motore si arresti.
- Togliere la candela, e far cadere delle gocce di olio per motore per il foro della candela.
- Tirare tranquillamente la pugnatura dell'avviatore in modo che l'olio del motore si sparga nel motore, e mettere la candela.
- Mettere il coperchio sur la lama.
- Durante il immagazzinaggio, tenere l'asta orizzontale o conservare la macchina montante con il bordo della lama girato in alto. (In questo caso, fare molta attenzione a proteggere la macchina che cada.)
Non conservare mai la macchina con lama girata in basso. L'olio lubricate può spandersi.
- Conservare il carburante scaricato in un recipiente speciale all'ombra aerata.



Attenzione dopo immagazzinaggio di lungo tempo

- Prima di avviamento dopo l'arresto di lungo tempo, sostituire l'olio (vedere P.80). L'olio può deteriorarsi mentre la macchina è fuori service.

Localizzazione dei guasti

Guasto	Sistema	Osservazione	Causa
Il motore non parte o parte con difficoltà	Sistema di iniezione	Scintilla accensione presente	Guasto nell'alimentazione del carburante o nel sistema di compressione, difetto meccanico
		Assenza scintilla d'accensione	Attivato arresto, guasto dello impianto elettrico o corto circuito, candela o connettore difettosi, modulo d'iniezione difettoso
	Alimentazione carburante	Serbatoio pieno	Posizione leva diffusore (2) errata, carburatore difettoso, tubo di aspirazione sporco, linea di alimentazione carburante piegata o intasata, carburante deteriorato
	Compressione	Compressione assente all'avvio	Guarnizione fondo cilindro difettosa, guarnizioni albero a gomiti danneggiate, anello cilindro o pistone difettoso difetto nella tenuta della candela
Problemi con l'avviamento a caldo	Guasto meccanico	Manopola di avvio non funziona	Molla avviatore rotta, parti rotte all'interno del motore
		Serbatoio pieno candela presente	Il carburatore va pulito
Il motore parte ma si arresta subito	Alimentazione carburante	Serbatoio pieno	Errata regolazione del minimo, tubo d'aspirazione o carburatore sporchi Sfiatatoio del serbatoio difettoso, linea di alimentazione carburante interrotta, cavo o interruttore di arresto guasti
Rendimento insoddisfacente	Può riguardare diversi sistemi	Minimo del motore scadente	Filtro aria sporco, carburatore sporco, marmitta intasata, tubo di scarico del cilindro intasato

Intervallo di funzionamento		Prima funzina-mento	Dopo lubrifica-zione	Quotidiano (10 ore)	30 ore	50 ore	200 ore	Arresto /quiete	Pagina corris-pon-dente
Articolo									
Olio motore	Controllare/pulire	○							76
	Sostituire					○*1			80
Pezzi da serrare (bulloni, dadi)	Controllare	○							82
Serbatoio di carburante	Pulire/controllare	○							—
	Scaricare il carburante							○*3	83
Farfalla	Verificare le funzioni		○						78
Interruttore d'arresto	Verificare le funzioni		○						78
Lama	Controllare	○		○					75
Rotazione a velocità bassa	Controllare /regolare			○					79
Filtro dell'aria	Pulire			○					81
Candela d'accensione				○					81
Condotto dell'aria di raffreddamento	Pulire/controllare			○					82
Tubo di carburante	Controllare			○					82
	Sostituire						⊙*2		—
Grasso per scatola ingranaggi	Rifornire				○				82
Filtro di carburante	Pulire/sostituire					○			82
Spazio fra valvola di presa d'aria e valvola di scarica d'aria	Regolare						⊙*2		—
Tubo dell'olio	Verificare						⊙*2		
Revisione							⊙*2		—
Carburatore	Scaricare il carburante							○*3	73

*1 Fare la prima sostituzione dopo 20 ore di funzionamento.

*2 Per il controllo dopo 200 ore di funzionamento, rivolgersi ad un Servizio Assistenza Autorizzato.

*3 Dopo aver svuotato il serbatoio, continuare a far funzionare il motore finché il carburante si esaurisce.

LOCALIZZAZIONE ED ELIMINAZIONE DEI GUASTI

Prima di fare richiesta di riparazione, verificate personalmente un guasto. Se c'è un cattivo funzionamento, controllare la vostra macchina secondo la descrizione di questo manuale. Non manomettere o smontare nessuna parte contrariamente alla descrizione. Per le riparazioni, consultare il Servizio Assistenza Autorizzato.

Stato di guasto	Causa probabile (malfunzionamento)	Rimedio
Il motore non si avvia	La pompa d'adescamento vuota	Spingere 7 a 10 volte
	Velocità bassa di tirata del cavo di starter	
	Mancanza di carburante	Rifornire di carburante
	Filtro di carburante otturato	Pulire
	Tubo di carburante guasto	Sostituire il tubo di carburante
	Carburante deteriorato	Un carburante deteriorato provoca un avviamento più difficile. Sostituire con quello nuovo. (Sostituzione raccomandata : 1 mese)
	Aspirazione eccessiva di carburante	Regolare la farfalla dalla velocità media alla alta, e tirare la leva del diffusore finché il motore si avvia. Una volta che il motore si avvia, la lama comincia a girare. Prestare attenzione pienamente alla lama. Se il motore non si avvia ancora, levare la candela di accensione, seccare l'elettrodo, e rimontarli come sono all'inizio. Poi, avviare secondo la specificazione.
	Tappo smontato	Serrare bene
	Candela di accensione sporca	Pulire
	Spazio anormale della candela di accensione	Regolare lo spazio
	Altra anomalia della candela di accensione	Sostituire
	Carburatore anormale	Fare richiesta di controllo e manutenzione
	Il manopola di avviamento non può essere tirato.	Fare richiesta di controllo e manutenzione
Comando anormale	Fare richiesta di controllo e manutenzione	
Il motore si arresta subito La velocità del motore non aumenta	Riscaldamento insufficiente	Fare il riscaldamento
	La leva di regolazione è messa sulla posizione "CLOSE" anche se il motore è riscaldato	Mettere sulla posizione "OPEN"
	Filtro di carburante otturato	Pulire
	Filtro dell'aria sporcato o otturato	Pulire
	Non perfetta carburazione	Fare richiesta di controllo e manutenzione
	Comando anormale	Fare richiesta di controllo e manutenzione
La lama non gira ↓ Arrestare il motore subito	Dado di serraggio della lama allentato	Serrare bene
	Un rametto impigliato nella lama o nella protezione	Togliere gli ostacoli
	Comando anormale	Fare richiesta di controllo e manutenzione
Il corpo vibra anormalmente ↓ Arrestare il motore subito	Lama guasta, incurvata o consumata	Sostituire la lama
	Dado di serraggio della lama allentato	Serrare bene
	Spostamento della parte convessa e raccordo di supporto della lama	Serrare bene
	Comando anormale	Fare richiesta di controllo e manutenzione
La lama non si arresta subito ↓ Arrestare il motore subito	Funzionamento al minimo alto	Regolare
	Filo regolatore dell'acceleratore smontato	Serrare bene
	Comando anormale	Fare richiesta di controllo e manutenzione
Il motore non si arresta ↓ Fare funzionare il motore al minimo, e mettere la leva di regolazione sulla posizione "CLOSE"	Connettore smontato	Serrare bene
	Sistema elettrico anormale	Fare richiesta di controllo e manutenzione

Quando il motore non si avvia dopo del riscaldamento :

Se non c'è nessuna anomalia per gli articoli di controllo, aprire la farfalla circa un terzo e avviare il motore.

Wij danken u ten eerste voor de aankoop van de MAKITA Bosmaaier. Wij zijn blij u de MAKITA Bosmaaier te kunnen aanbieden die het resultaat is van een lang ontwikkelingsprogramma en vele jaren opgedane kennis en ervaring.

Gelieve dit handboekje zorgvuldig door te lezen, te begrijpen en op te volgen. Het geeft een gedetailleerde uitleg van de verschillende punten waardoor u zich een denkbeeld kunt vormen van de voortreffelijke prestaties van de machine. Dit zal u in staat stellen de beste resultaten te verkrijgen van uw MAKITA Bosmaaier.



Inhoudsopgave

Bladzijde

Symbolen 86
 Veiligheidsvoorschriften 87-90
 Technische gegevens 92
 Naam van de onderdelen 93
 Monteren van motor en aandrijfstang 94-95
 Installeren van de handgreep 96
 Installeren van de beschermkap 96
 Installeren van het mesblad 96
 Voor gebruik 97-98
 Aandachtspunten bij de bediening en hoe u de machine moet stoppen 99-100
 Aanscherpen van het mesblad snijgereedschap 100
 Onderhoudsvoorschap 101-103
 Opbergen 104-105
 Stringzoeken 106

SYMBOLEN

Het is erg belangrijk dat u weet wat de volgende symbolen betekenen wanneer u de gebruiksaanwijzing leest.

	Lees, begrijp en volg de Gebruiksaanwijzing op		Draag een veiligheidshelm, Oog-en oorbescherming
	WAARSCHUWING!/GEVAAR/LET OP		Max. toelaatbaar toerental maaiblad
	Verboden		Brandstof (Benzine)
	Afstand houden		Motor-Handbediend starten
	Gevaar voor rondvliegende Voorwerpen		Noodstop
	Niet roken		Eerste Hulp Bij Ongevallen (EHBO)
	Open vlammen verboden		Recycling
	Draag veiligheidshandschoenen		AAN/START
	Terugslag (enkel voor bosmaaier)		UIT/STOP
	Personen en huisdieren niet Toegelaten in de werkomgeving		CE-kenteken

VEILIGHEIDSVOORSCHRIFTEN

Algemene voorschriften

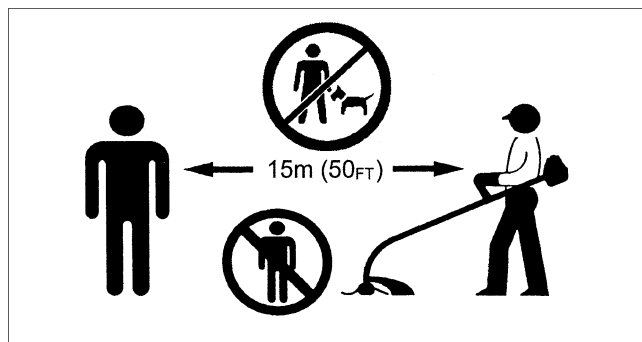
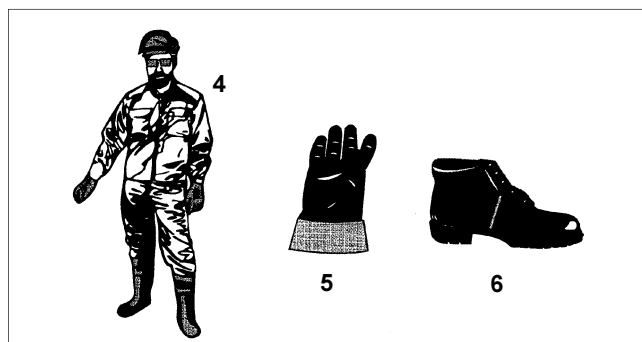
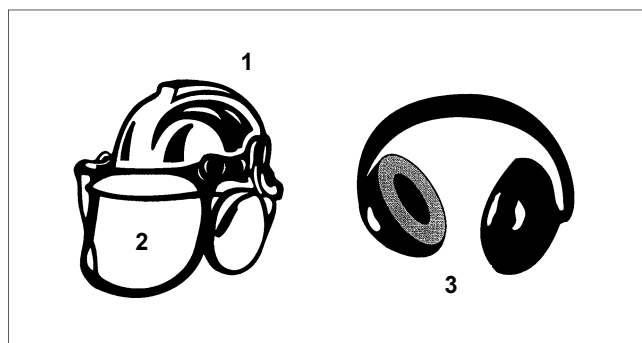
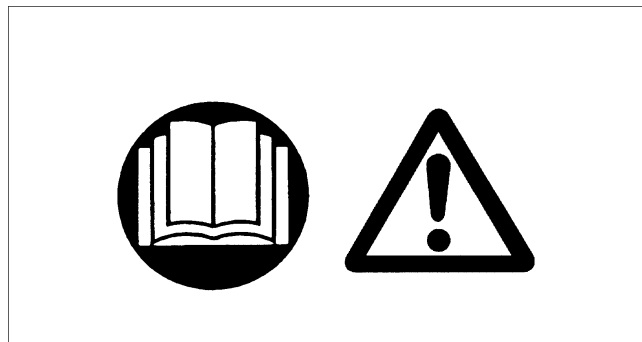
- Om een juiste en veilige bediening te verzekeren, dient de gebruiker deze gebruiksaanwijzing te lezen en te begrijpen om zich vertrouwd te maken met de bediening van de bosmaaier. Gebruikers die onvoldoende vertrouwd zijn met de machine kunnen zowel zichzelf als anderen in gevaar brengen door onjuiste bediening.
- Het is aan te bevelen dat u de bosmaaier alleen uitleent aan personen die voldoende ervaring hebben met bosmaaiers. Overhandig ook altijd de gebruiksaanwijzing.
- Gebruik de bosmaaier uitsluitend met alle beschermingen aangebracht.
- Personen die nooit eerder met een bosmaaier hebben gewerkt, dienen bij hun dealer te informeren naar basisrichtlijnen om zich vertrouwd te maken met het hanteren van een motoraangedreven maaier.
- Gebruik van de bosmaaier mag niet worden toegestaan aan kinderen en personen beneden de 18 jaar. Personen boven de 16 jaar kunnen de machine echter gebruiken voor opleidingsdoeleinden en dit uitsluitend onder het toezicht van een bevoegd opleider.
- Gebruik de bosmaaier met uiterste voorzichtigheid en oplettendheid.
- Gebruik de bosmaaier alleen wanneer u in goede lichamelijke gezondheid verkeert. Voer alle werkzaamheden zorgvuldig en voorzichtig uit. De gebruiker is aansprakelijk voor anderen.
- Gebruik de bosmaaier nooit onder invloed van alcohol of geneesmiddelen.
- Gebruik de machine niet wanneer u vermoeid bent.
- Bewaar deze voorschriften voor naslag in de toekomst.

Persoonlijke veiligheidsuitrusting

- Draag doelmatige en geschikte kleren die nauw passen zonder u in uw bewegingen te belemmeren. Draag geen juwelen, kleding of lang haar, die kunnen blijven vasthangen in struikgewas of heesters.
- Tijdens het bedienen van de bosmaaier dient u de volgende veiligheidsuitrusting en veiligheidskleding te dragen om hoofd-, oog-, hand- of voetwondingen te voorkomen en om uw gehoor te beschermen.
- Draag altijd een helm wanneer u in het bos werkt. Controleer de veiligheidshelm (1) regelmatig op beschadiging en vernieuw deze op zijn laatst na 5 jaar gebruik. Gebruik uitsluitend goedgekeurde veiligheidshelmen.
- Het vizier (2) van de helm (of een goedgekeurde veiligheidsbril) beschermt uw gezicht tegen rondvliegende twijgjes, steentjes of andere voorwerpen. Draag tijdens het gebruik van de bosmaaier altijd een veiligheidsbril of een vizier om oogwondingen te voorkomen.
- Om verslechtering van uw gehoor te voorkomen, draag een doeltreffende bescherming tegen het lawaai (oorbeschermers (3), oordopjes enz.), vooral tijdens lange werkperiodes.
- De werkoverall (4) beschermt tegen rondvliegende splinters en steentjes. Het is sterk aan te bevelen dat de gebruiker een werk-overall draagt.
- Speciale handschoenen (5), gemaakt van dik leer, zijn een onderdeel van de voorgeschreven veiligheidsuitrusting en dienen daarom tijdens het gebruik van de bosmaaier altijd te worden gedragen.
- Draag tijdens het gebruik van de bosmaaier altijd stevige schoenen (6) met slipvrije zolen. Dit zal u beschermen tegen verwondingen en verzekert goede steun voor de voeten.

Starten van de bosmaaier

- Controleer eerst of er binnen een bereik van 15 meter of 50 voet geen kinderen of andere personen aanwezig zijn. Let ook op dat er geen dieren in de directe omgeving zijn.
- Alvorens de bosmaaier te starten, altijd eerst controleren of deze geschikt is voor veilig gebruik:
Controleer of het mesblad goed is vastgezet. Controleer of de bevestigingsmoer van het mesblad stevig is aangetrokken. Controleer de gashendel op soepele werking en gemakkelijke bediening. Controleer of de gashendelpal juist werkt. Rotatie van het mesblad tijdens onbelast draaien is niet toegelaten. Raadpleeg de voorschriften voor het afstellen van het nullastoerental op blz. 100. Controleer of handgrepen schoon en droog zijn en test de werking van de STOP schakelaar. Houd de handgrepen vrij van olie en brandstof.
- Alvorens te starten moet u de lokale regels aangaande geluidsoverlast en de toegestane werktijden controleren. Houd u aan die regels.
- Start uitsluitend met de bosmaaier op de grond geplaatst.
- Start niet wanneer de maaier achter u of op uw rug is.



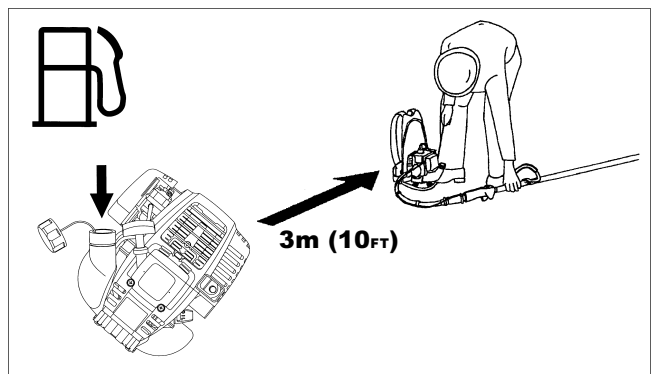
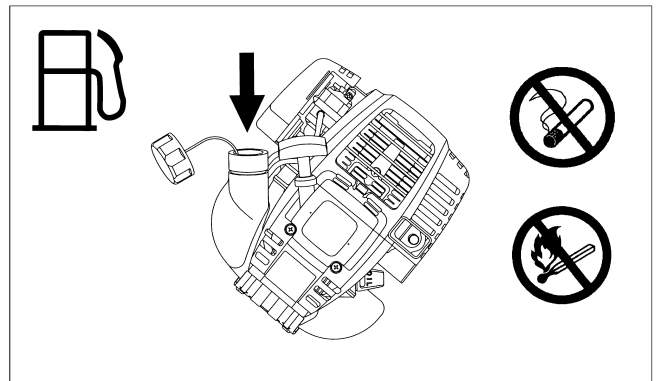
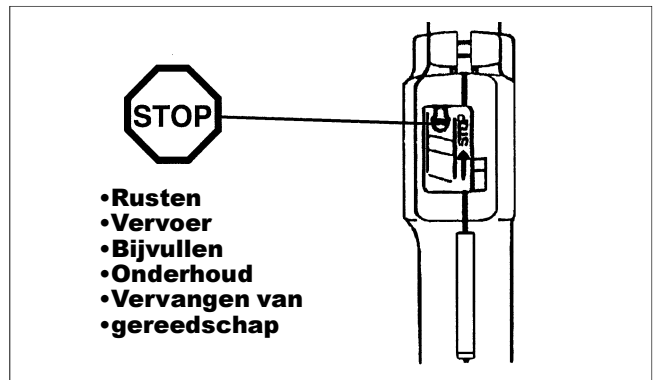
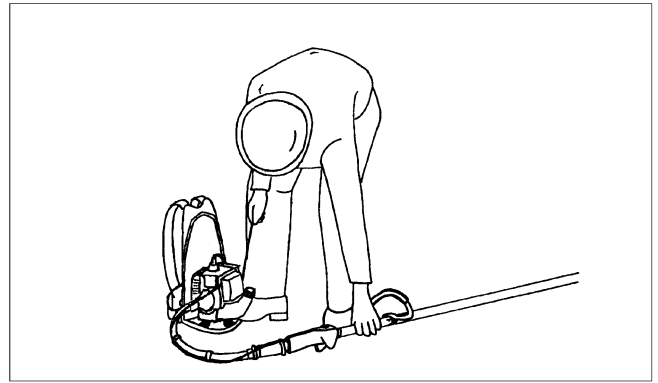
Start de bosmaaier alleen in overeenstemming met de instructies.

Gebruik geen andere methode voor het starten van de motor!

- Gebruik de bosmaaier en het bijgeleverde gereedschap alleen voor de gespecificeerde doeleinden.
- Start de motor van de bosmaaier pas nadat de bosmaaier helemaal is gemonteerd. Bediening van de machine is alleen toegestaan nadat al de geschikte accessoires zijn bevestigd!
- Alvorens de motor te starten, controleer of het mesblad niet in aanraking komt met harde voorwerpen zoals takken, stenen enz.
- In geval van motorstoringen dient u de motor onmiddellijk te stoppen.
- Wanneer het mesblad tegen stenen of andere voorwerpen is gestoten, stop dan onmiddellijk de motor en controleer het mesblad op beschadiging.
- Controleer het mesblad na korte, regelmatige tussentijden op beschadiging (ontdekken van haarscheurtjes door middel van een klopgeluidtest).
- Een vertrouwd weergalmend geluid dient te worden gehoord.
- Gebruik de bosmaaier alleen met de schouderband eraan bevestigd. De schouderband dient juist te worden afgesteld alvorens de bosmaaier wordt gestart. Het is zeer belangrijk dat de schouderband wordt afgesteld in overeenstemming met de grootte van de gebruiker, om vermoeidheid tijdens het gebruik of verlies van controle over de machine te voorkomen. Houd de machine tijdens het gebruik nooit met één hand vast.
- Houd de bosmaaier tijdens het gebruik altijd met beide handen vast. Zorg ervoor dat u altijd een veilige, evenwichtige steun voor de voeten hebt.
- Bedien de bosmaaier zodanig dat u geen uitlaatgassen inademt. Laat de motor nooit in gesloten ruimten draaien (gevaar voor verstikking en gasvergiftiging). Koolmonoxide is een reukloos gas. Zorg er altijd voor dat er goede ventilatie is.
- Stop de motor wanneer u wilt rusten of wanneer u de bosmaaier alleen achterlaat. Plaats deze in een veilige omgeving om gevaar voor anderen, het in brand vliegen van brandbare materialen of beschadiging van de machine te voorkomen.
- Leg de hete bosmaaier nooit op droog gras of andere brandbare materialen.
- Het mesblad dient gebruikt te worden met de geschikte beschermkap erop bevestigd. Gebruik het gereedschap nooit zonder deze beschermkap!
- Tijdens het bedienen van de machine dienen alle bijgeleverde beschermingsonderdelen en beschermkappen te worden gebruikt.
- Bedien de motor nooit met een defecte knalpot.
- Stop de motor alvorens de machine te vervoeren.
- Tijdens vervoer over grote afstanden dient de bijgeleverde gereedschapsbescherming altijd te worden gebruikt.
- Zet de bosmaaier rechtop en bevestig deze in de auto of vrachtauto om schade door het verschuiven van de machine tijdens transport te voorkomen.
- Controleer alvorens de machine te transporteren dat de brandstoftank geheel leeg is zodat er geen brandstof kan gaan lekken.

Bijvullen

- Verminder de kans op brand en brandwonden en behandel benzine zeer voorzichtig. Benzine is uitermate ontvlambaar.
- Stop de motor, rook niet en houd vuur uit de buurt voor en tijdens het bijtanken.
- Vermijd contact van de huid met aardolieproducten. Adem de brandstofdamp niet in. Draag tijdens het bijvullen altijd beschermhandschoenen. Vernieuw en reinig regelmatig uw beschermkleding.
- Pas op dat u geen brandstof of olie morst. Veeg de machine droog alvorens de motor te starten. Zorg dat natte doeken goed zijn opgedroogd voordat u deze in een wasbak of dergelijke stopt zodat de doeken niet in brand kunnen vliegen.
- Zorg dat er geen brandstof op uw kleren terecht komt. Indien er brandstof op uw kleren is gemorst (gevaar), trek dan onmiddellijk andere kleren aan.
- Controleer regelmatig de brandstoftankdop om er zeker van te zijn dat deze goed vergrendeld is.
- Draai de borgschroef van de brandstoftank goed en voorzichtig aan. Ga op een andere plaats staan om de motor te starten (tenminste 3 meter of 10 voet van de plaats waar werd bijgevuld).
- Vul nooit bij in een afgesloten ruimte. Brandstofdampen verzamelen zich op grondhoogte (gevaar voor ontploffingen).
- Gebruik uitsluitend goedgekeurde containers voor het vervoeren en opslaan van brandstof. Zorg ervoor dat de opgeslagen brandstof niet toegankelijk is voor kinderen.
- Vul nooit brandstof bij terwijl de motor nog heet is of draait.
- Wanneer u benzine mengt met tweetakt-motorolie, gebruik dan uitsluitend benzine die geen ethanol of methanol (alcohol) bevat. Hierdoor voorkomt u namelijk beschadiging van de brandstofleidingen en andere motoronderdelen.



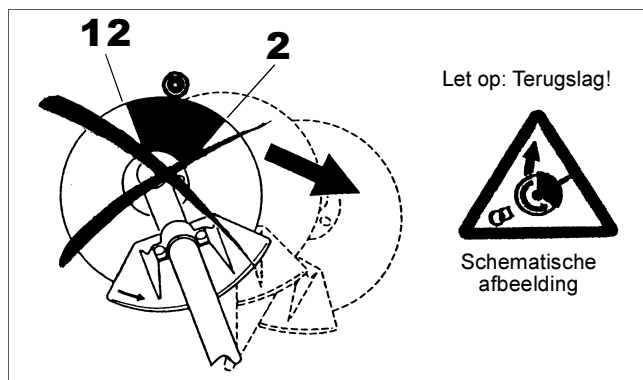
Bedieningsmethode

- Gebruik de bosmaaier alleen bij goed licht en bij goed zicht. Tijdens koude seizoenen dient u op te passen voor gladde of natte plaatsen, ijs en sneeuw (slipgevaar). Zorg ervoor dat u altijd veilige steun voor de voeten hebt.
- Reik niet te ver met de machine. Zorg ervoor dat u altijd goede steun voor de voeten hebt, uw evenwicht bewaart en volledige handcontrole over de machine hebt.
- Maai nooit boven taille-hoogte.
- Klim nooit in bomen om met de bosmaaier te maaien.
- Werk nooit op onstabiele oppervlakten of steil terrein.
- Verwijder voorwerpen, zoals stenen, spijkers, gebroken glas, draad, etc., uit de werkomgeving. Vreemde voorwerpen kunnen het snijgereedschap beschadigen, gevaarlijke terugslag veroorzaken of omhoog geworpen worden en een gevaarlijk projectiel worden.
- Begin pas met het maaien nadat het snijgereedschap op volle bedrijfssnelheid is gekomen.
- Bedien dit gereedschap nooit terwijl het ondersteboven is gekeerd en ook nooit bij een uiterst scherpe hoek.
- **!WAARSCHUWING!** -De omgeving rond het maaimes is nog gevaarlijk zolang als de motor niet tot volledige stilstand is gekomen.



Terugslag

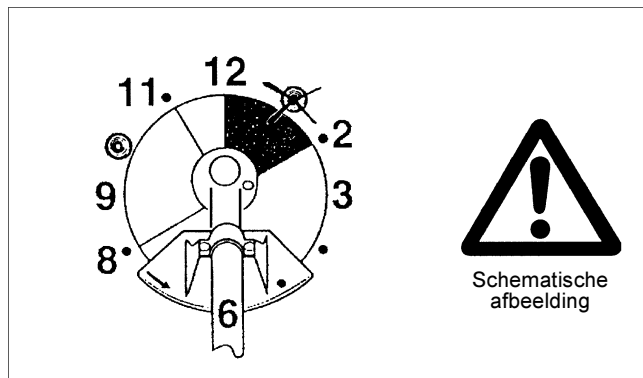
- Tijdens het bedienen van de bosmaaier, kan ongecontroleerde terugslag optreden.
- Dit is vooral het geval wanneer u probeert te maaien binnen een bladsegment tussen 12 en 2 uur op de wijzerplaat zoals gezien vanaf de plaats van de gebruiker.
- Laat dit segment van de bosmaaier nooit in aanraking komen met vaste voorwerpen zoals struiken, stronken, bomen etc., met een diameter van meer dan 3 cm.
- De bosmaaier zal dan met grote kracht en snelheid worden teruggeslagen met mogelijk gevaar voor ernstige verwondingen.
- Gebruik de bosmaaier nooit met het bladsegment tussen de 12 en 2 uur positie.



Voorkomen van terugslag

Om terugslag te voorkomen, de volgende punten in acht nemen:

- Maaien met het bladsegment tussen 12 en 2 uur is zeer gevaarlijk, vooral bij gebruik van metalen mesbladen. Wanneer deze bosmaaier wordt gebruikt met de bladsegmenten van 11 tot 12 uur en van 2 tot 5 uur, is er nog mogelijk gevaar voor enige terugslag.
- Maaien met de bladsegmenten tussen 11 en 12 uur, en tussen 2 en 5 uur, dient alleen door geoefende en ervaren gebruikers te worden uitgevoerd en dit uitsluitend op eigen risico. Gemakkelijk maaien met weinig of geen terugslag is mogelijk met het bladsegment tussen 8 en 11 uur.



Snijgereedschappen

Gebruik uitsluitend het geschikte snijgereedschap voor het betreffende werk.

Mesblad (kruisvormig mesblad (4 tanden), wervelmesblad (8 tanden))

Voor het maaien van dikke materialen zoals onkruid, hoog gras, struiken, heesters, kreupelhout, kreupelbosjes etc. (maximale dikte: 2 cm diameter). Voor dit soort maaiwerk dient u de bosmaaier gelijkmatig in halve cirkels van rechts naar links te zwenken (op dezelfde wijze als wanneer u met een zeis werkt).

Onderhoudsvorschriften

- Alvorens met het werk te beginnen, dient u te controleren of de bosmaaier in goede staat is. Controleer in het bijzonder de staat van het snijgereedschap, de beschermkap en de schouderband. Let er vooral goed op dat de mesbladen juist zijn aangescherpt.
- Zet de motor af en verwijder de bougie-aansluitklemmen wanneer u het mesblad wilt vervangen of aanscherpen, en ook wanneer u de bosmaaier of het snijgereedschap wilt reinigen.



Probeer nooit beschadigde mesbladen recht te maken of te lassen.

- Wees milieuvriendelijk. Bedien de bosmaaier met zo weinig mogelijk lawaai en vervuiling. Controleer in het bijzonder of de carburateur juist is afgesteld.
- Maak de bosmaaier regelmatig schoon en controleer of alle bouten en moeren goed zijn vastgezet.
- Voer nooit onderhoudswerk aan de bosmaaier uit en berg deze nooit op in de buurt van open vlammen, vonken, etc.
- Maak de brandstoftank leeg alvorens de bosmaaier op te bergen. Berg de bosmaaier altijd in een goed geventileerde en op slot gedane ruimte op.

Neem alle van toepassing zijnde voorschriften ter preventie van ongevallen, verstrekt door de belanghebbende handelsverenigingen en verzekeringsmaatschappijen, in acht. Breng nooit wijzigingen aan in de bosmaaier, aangezien dit uw veiligheid in gevaar zal brengen.

Onderhoudswerkzaamheden en reparaties door de gebruiker zijn beperkt tot die welke in deze gebruiksaanwijzing zijn beschreven. Alle andere werkzaamheden dienen door Erkende Service Agenten te worden uitgevoerd.

Gebruik uitsluitend originele vervangstukken en accessoires door MAKITA geleverd. Het gebruik van niet-goedgekeurde accessoires en gereedschappen vergroot het gevaar voor ongevallen en verwondingen. MAKITA erkent geen aansprakelijkheid voor ongevallen of beschadiging veroorzaakt door het gebruik van niet-goedgekeurde snijgereedschappen, hulpstukken of accessoires.

Eerste hulp bij ongevallen (EHBO)

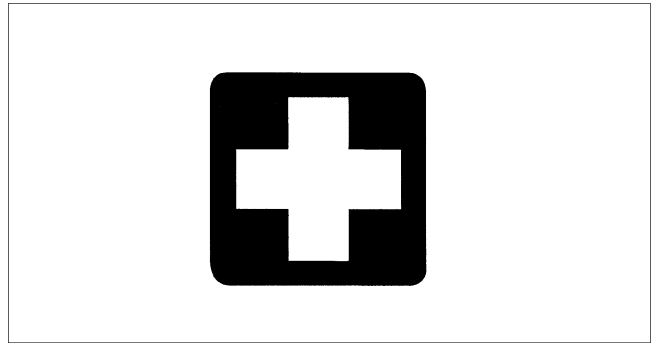
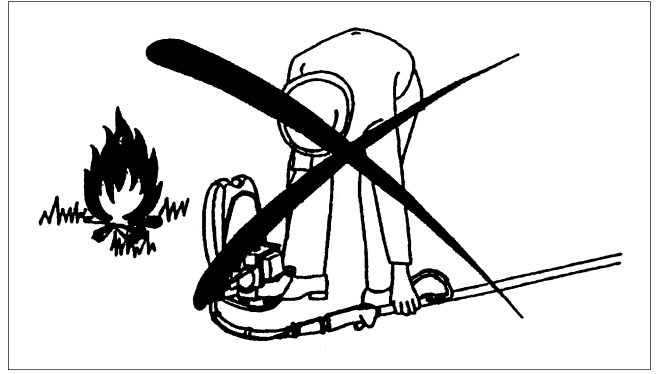
Om op mogelijke ongevallen voorbereid te zijn, zorg ervoor dat een goed gevulde verbandkist beschikbaar is in de buurt van uw werkomgeving. Wanneer u iets uit de verbandkist gebruikt, dient u dit onmiddellijk te vervangen.

Wanneer u hulp inroept, geef dan de volgende informatie:

- Plaats van het ongeval
- Wat er gebeurd is
- Aantal gewonde personen
- Omvang van verwondingen
- Uw naam

Verpakking

Om beschadiging tijdens de verschepping te voorkomen, wordt de MAKITA bosmaaier in twee beschermende kartonnen dozen geleverd. Karton is een basisgrondstof en is daarom geschikt om opnieuw te gebruiken of voor recycling (recycling van oud papier).



EU-CONFORMITEITSVERKLARING

Model; EBH341R

Wij verklaren onder ons exclusieve aansprakelijkheid dat dit product voldoet aan de volgende normen van de standaard documenten, ISO14865, ISO14740, EN55012 in overeenstemming met EU richtlijnen, 89/392/EEC, zoals gewijzigd bij 98/37/EEC, 93/68/EEC, 89/336/EEC, zoals gewijzigd bij 92/31/EEC.

Gemeten geluidsdruk niveau: 108.4 dB

Gegarandeerd geluidsdruk niveau: 113.3 dB

Deze geluidsdruk waarden waren gemeten in overeenstemming met EU richtlijnen 2000/14/EC.

Conformiteits beoordelingsmethode: Annex V.

CE2007



Tomoyasu Kato
Director

De verantwoordelijke fabrikant:

Makita Corporation.

3-11-8, Sumiyoshi-cho, Anjo, Aichi, JAPAN

Gevolmachtigd Vertegenwoordiger in Europa:

Makita International Europe Ltd.

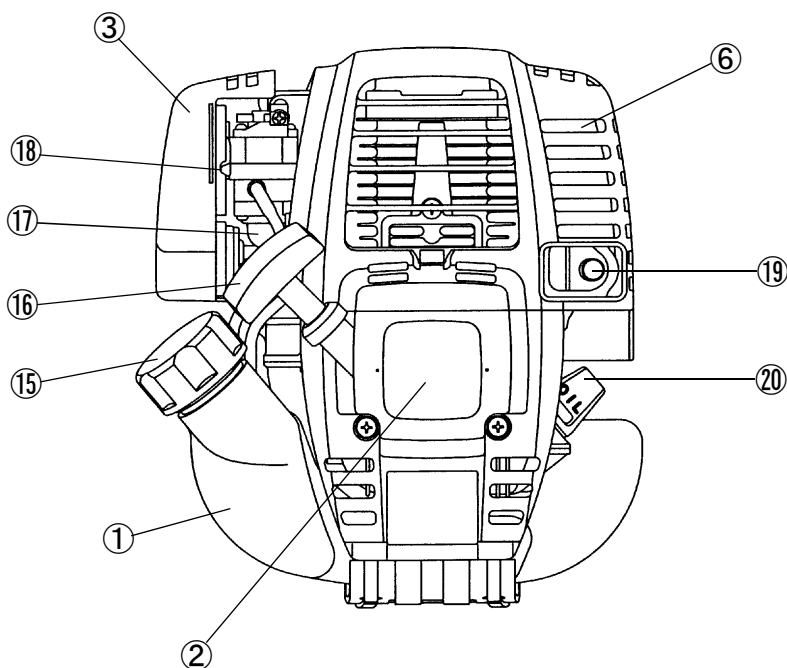
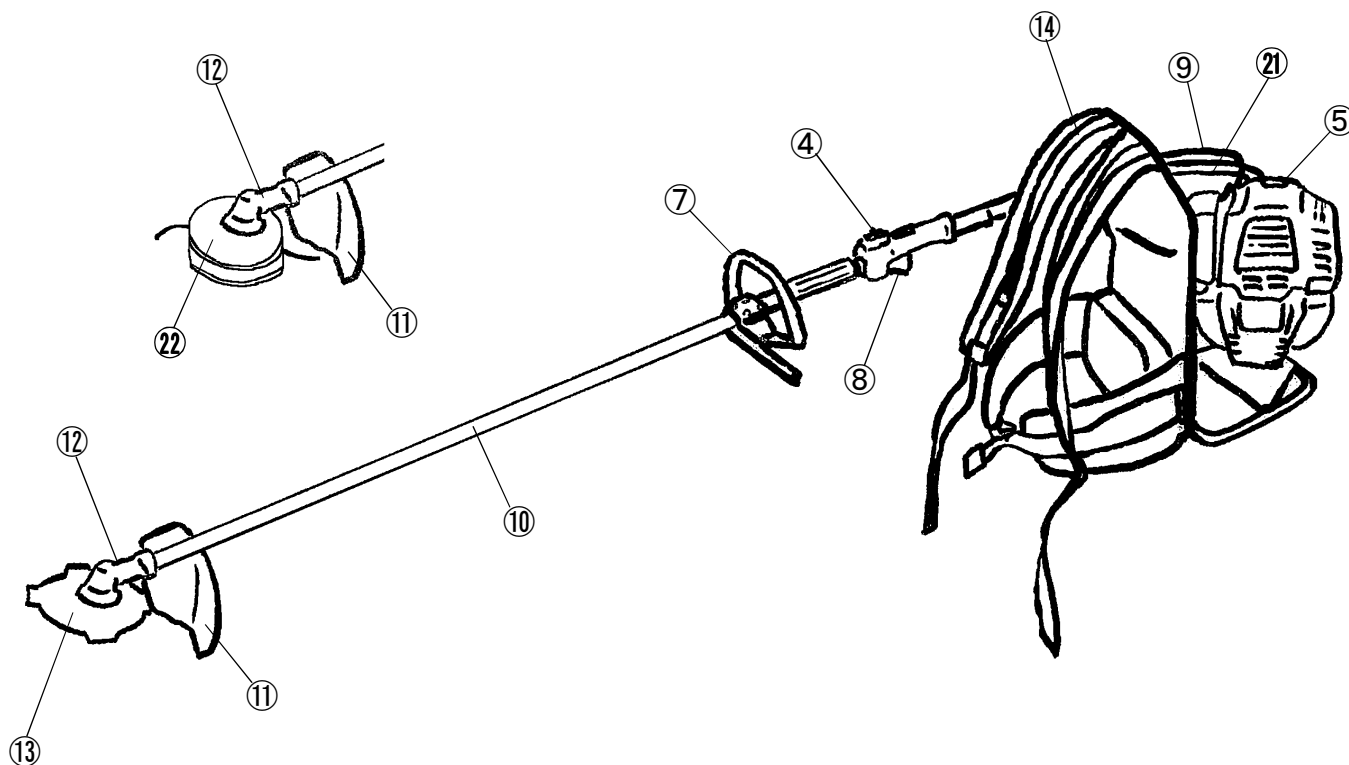
Michigan Drive, Tongwell, Milton Keynes, Bucks MK15 8JD, ENGLAND

TECHNISCHE GEGEVENS

Model		EBH341R			
		Ring-handgreep			
		Mesblad	Nylon draadkop		
Afmetingen: lengte x breedte x hoogte (zonder lengte pijphouder)	mm	430 x 280 x 430			
Gewicht (zonder bescherming en mesblad)	kg	10.2			
Inhoud (brandstoftank)	L	0.65			
Snijgereedschap (diam. snijblad)	mm	255			
Cilinderinhoud	cm ³	33.5			
Maximaal motorvermogen	kw	1.07 bij 7000 min ⁻¹			
Motortoerental bij aanbevolen max. assnelheid	min ⁻¹	10000			
Maximal assnelheid (overeenkomstig)	min ⁻¹	7500			
Brandstofverbruik	kg/h	0.458			
Specifiek brandstofverbruik	g/kwh	426			
Onbelast toerental	min ⁻¹	3000			
Koppelingstoerental	min ⁻¹	4100			
Carburateur (membraantype)	type	WALBRO WYL			
Ontstekingsstelsel	type	Solid state ontsteking			
Bougie	type	NGK CMR6A			
Elektrodenafstand	mm	0.7 – 0.8			
Vibratie per ISO 7916 ¹⁾	Rechter (Voor) handgreep	Stationair	m/s ²	0.6	0.7
		Volle snelheid of W.O.T	m/s ²	4.0	5.59
	Linker (achter) handgreep	Stationair	m/s ²	0.85	0.82
		Volle snelheid of W.O.T	m/s ²	4.78	8.12
Gemiddelde geluidsdruk volgens ISO 7917 ¹⁾	dB	89.3	97.1		
Gemiddeld geluidsniveau volgens ISO 10884 ¹⁾	dB	104.3	108.4		
Brandstof	Autobenzine				
Motorolie	SAE10W-30 olie van API Classificatie SF Klasse of hoger (4-takt olie voor auto's)				
Versnelling sverhouding	15/20				

1) Deze gegevens houden gelijkmatig rekening met zowel onbelast gebruik als gebruik met volle kracht of vol gas.

NAAM VAN DE ONDERDELEN



NL	Benaming van de onderdelen
1	Benzinetank
2	Startinrichting
3	Luchtfilter
4	Aan/uit-schakelaar
5	Bougie
6	Uitlaat-knaldemper
7	Handgreep
8	Gashendel
9	Gaskabel
10	Aandrijfas
11	Beschermkap
12	Drijfwerk
13	Maiblad
14	Schouderband
15	Tankdop
16	Startgreep
17	Opvoerpomp
18	Chokehendel
19	Uitlaatpijp
20	Oliepeistok
21	Flexibele pijp
22	Nylon draadkop

MONTEREN VAN MOTOR EN AANDRIJFSTANG

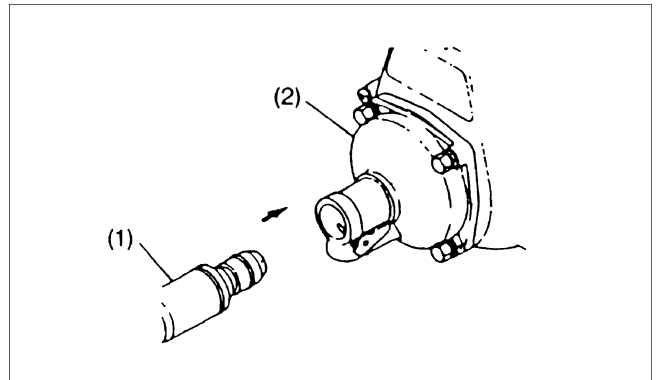
LET OP : Alvorens enig werk aan de bosmaaier uit te voeren, altijd eerst de motor afzetten en de bougieaansluitklemmen losmaken van de bougie. Pas op voor hete motoronderdelen en scherpe meskanten. Draag altijd veiligheidshandschoenen!

LET OP : Start de bosmaaier pas nadat u deze volledig gemonteerd hebt.

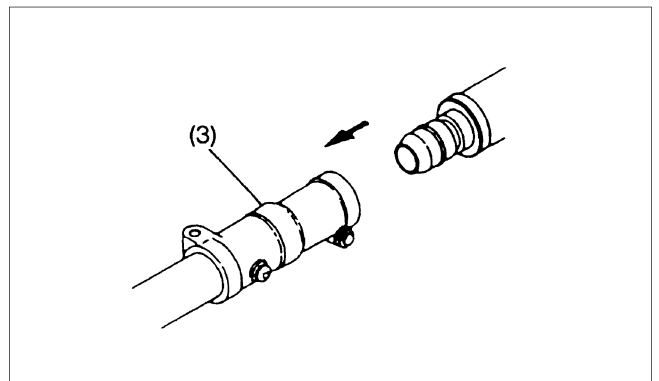


1. Verbinden van de flexibele pijp met motor en pijphuishouder

Steek een uiteinde van de flexibele pijp (1) in het huis van de koppeling (2) van de motor totdat u een lichte "klik" hoort. Steek het andere uiteinde van de flexibele pijp in de pijphuishouder (3) van de bosmaaier totdat het vergrendelt. Controleer dat het vierkante uiteinde van de flexibele stang goed in de verbinding van de aandrijf-as past.

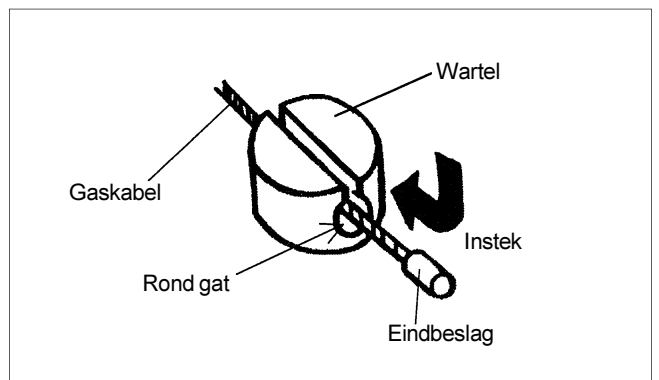
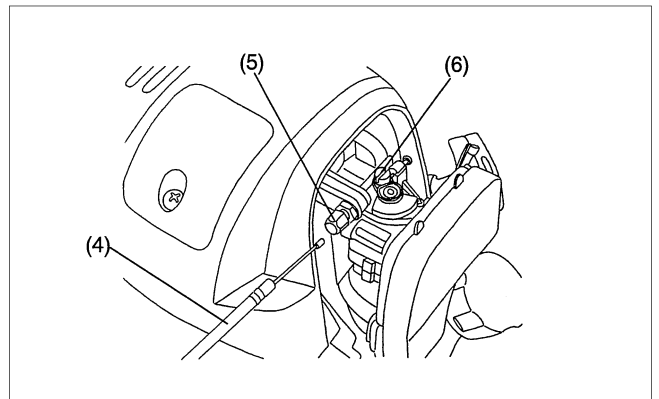


LET OP : Het vierkante uiteinde van de flexibele as past mogelijk niet in de verbinding van de aandrijf-as wanneer u de flexibele pijp niet juist in kunt steken. Voorkom beschadiging van het uiteinde van de flexibele as en forceer niet. Herhaal de procedure nogmaals totdat de flexibele as en pijp goed passen.



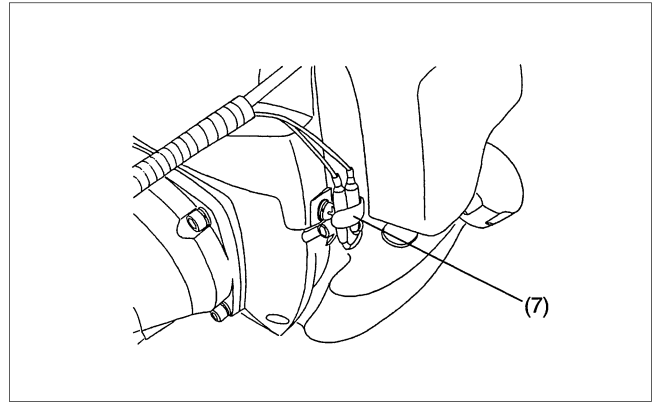
2. MONTAGE VAN GASKABEL

- Verwijder de afdekking van het luchtfilter.
- Plaats de gaskabel (4) in de stelbout (5) en verplaats de wartel (6) zo dat de kabel in de groef daarvan past. Op dit moment zal de kant van de wartel met het ronde gat erin naar de metalen fitting aan het uiteinde van de binnendraad wijzen.
- Laat de wartel los en controleer of de de metalen fitting aan het uiteinde van de binnendraad inderdaad in het gat valt.
- Doe de afdekking van het luchtfilter weer terug.



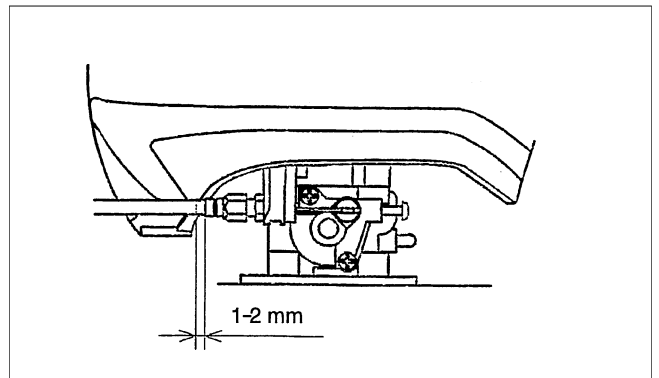
AANSLUITING SCHAKELAARSNOEREN

- Sluit de twee snoeren van de schakelaar aan op de bijbehorende snoeren van de motor door de ene in de andere te steken.
- Zet de stekkers vast met klem (7).

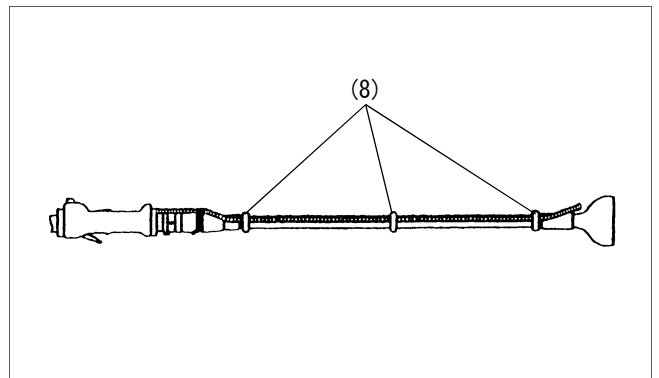


AFSTELLING VAN DE GASKABEL

- Stel de gaskabel af met de stelbout zodat er 1 a 2 mm speling blijft wanneer de gashendel in de laagste stand staat met de stelbout voor de carburateur. (Let erop dat het snijblad niet mag draaien wanneer de motor stationair loopt.)

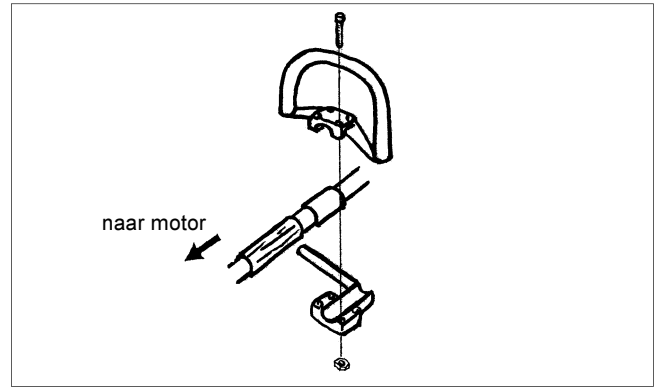


Leid de gaskabel en I-O schakelaardraden tezamen langs de flexibele pijp en bevestig stevig met een draadklem (8) op drie punten. De gaskabel en I-O schakelaardraden schieten mogelijk los met alle gevolgen van dien wanneer zij niet goed zijn bevestigd.



MONTEREN VAN DE HANDGREEP

- Bevestig ter bescherming een aanslag aan de linkerkant van de machine tezamen met de handgreep.
 - Stel de positie van de ringgreependel niet te dicht bij de regelhendel. Houd niet minder dan 25 cm afstand tussen de hendel en de greep.
- (Hiervoor is een afstandskraag bijgeleverd.)



INSTALLEREN VAN DE BESCHERMKAP

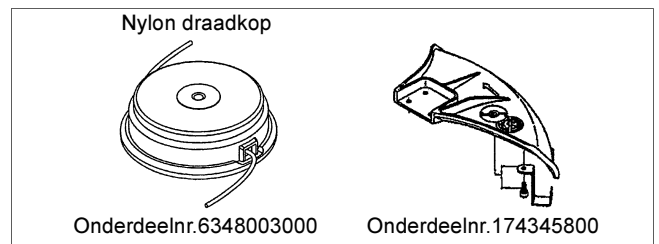
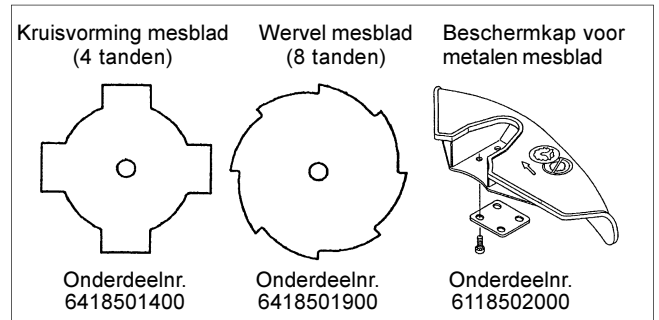
Om te voldoen aan de van toepassing zijnde veiligheidsvoorschriften, mogen uitsluitend de in de tabel aangegeven gereedschap/beschermkap combinaties worden gebruikt. Nalatigheid in dit verband kan ernstige verwonding of dood van de gebruiker of omstanders tot gevolg hebben.

Gebruik uitsluitend een origineel MAKITA mesblad of nylon draadkop.

- Het mesblad dient goed schoon te zijn, goed aangescherpt en vrij van barsten of scheuren. Indien het mesblad tijdens het gebruik tegen harde voorwerpen of stenen wordt gestoten, onmiddellijk de motor afzetten en het mesblad op beschadiging controleren.
- Reinig en scherp of vernieuw het mesblad na ten hoogste iedere drie uren van gebruik.
- De buitendiameter van het mesblad mag niet groter zijn dan 255 mm (10/32"). Gebruik nooit mesbladen met een buitendiameter van meer dan 255 mm (10-1/32").

LET OP: Voor uw eigen veiligheid en om te voldoen aan de voorschriften ter preventie van ongevallen, dient de geschikte beschermkap altijd geïnstalleerd te zijn. Probeer nooit de machine te gebruiken zonder dat de beschermkap op de juiste wijze is aangebracht.

- Bevestig de bescherming met 4 bouten stevig aan de versnellingskast. Gebruik nooit zonder een bescherming of indien de bescherming gebroken is.



INSTALLEREN VAN HET MESBLAD OF NYLON DRAADKOP

Keer de machine ondersteboven voor gemakkelijker vervangen van het mesblad of de nylon draadkop.

Montage van het mesblad

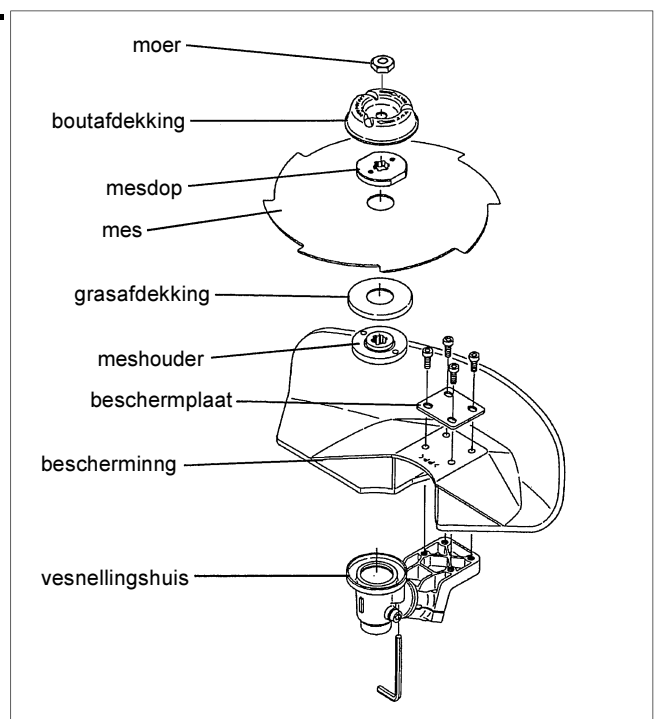
- Bevestig het mesblad en de andere onderdelen in de volgorde die in de afbeelding is aangegeven. Druk een stang of inbussleutel in de opening van de versnellingskast totdat het mesblad is vergrendeld en niet meer draait. Draai de moer linksom met een combinatiesleutel vast. (Vergeet niet dat de moer in tegengestelde richting van een normale moer wordt vast of losgedraaid.)
- De moer moet voor ieder gebruik opnieuw worden vastgedraaid.
- Gebruik bij voorkeur de hier rechts aangegeven bevestigingen voor deze bosmaaier.
- Probeer beslist geen bomen, blokken hout of andere harde materialen te snijden.

[Aantrekkoppel: 28 - 48 N-m]

OPMERKING: Draag altijd handschoenen wanneer u aan het mesblad werkt.

Montage van de nylon draadkop

- De mesdop, boutafdekking en moer heeft u niet nodig voor de montage van de nylon snijkop. De nylon snijkop wordt gemonteerd op de grasafdekking.
- Steek de inbussleutel door het gat in de overbrenging en meshouder tot deze vergrendelt met de inbussleutel.
- Schroef vervolgens de nylon snijkop tegen de klok in op de as.
- Verwijder de inbussleutel.



VOOR GEBRUIK



INSPECTIE EN BIJVULLEN VAN MOTOROLIE

- Voer de volgende procedure uit wanneer de motor is afgekoeld
- Houd de motor horizontaal, verwijder de oliepeilstok en kijk of het oliepeil zich tussen de markeringen voor het maximale en het minimale oliepeil bevindt. Wanneer er zo weinig olie in de motor zit dat alleen de tip van de oliepeilstok de olie raakt wanneer de oliepeilstok in het carter steekt zonder vastgedraaid te zijn (Afb. 1), dient u motorolie toe te voegen (Afb. 2).
- Voor uw informatie, het duurt ongeveer 15 uur voor er olie bijgevuld moet worden (vulfrequentie: 15 keer).
- Als de olie verkleurd blijkt, of wanneer u vuil in de olie aantreft, dient u de olie te verversen. (Zie bladzijde 101 voor de intervallen en manier van verversen.)

Aanbevolen olie: SAE10W-30 olie van API Classificatie SF Klasse of hoger (4-takt olie voor auto's)

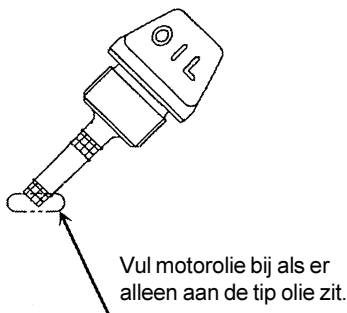
Hoeveelheid olie: Ongeveer 100 cc.

NOOT: Als de motor niet recht wordt gehouden, kan er olie in de motor terecht komen en kunt u teveel olie in het blok doen.

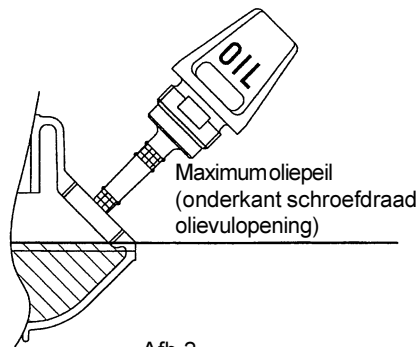
Als er teveel olie in het carter gedaan is, kan de olie verontreinigd raken, of verbranden met een witte rook als resultaat.

Opmerking 1 bij het verversen van de olie; de "oliepeilstok"

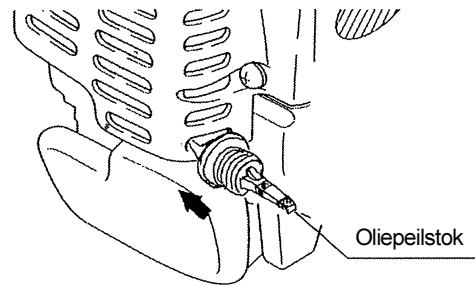
- Verwijder stof en vuil rond de olievul-opening en haal de oliepeilstok los.
- Houd de losgemaakte oliepeilstok vrij van zand en stof. Doet u dat niet, dan kunnen vuil dat aan de oliepeilstok blijven hangen de circulatie van de olie door de motor belemmeren of het binnenwerk beschadigen, wat kan leiden tot problemen.
- Om de oliepeilstok schoon te houden kunt u deze bijvoorbeeld met zijn knop in de motor-afdekking steken, zoals in Afb. 3 te zien is.



Afb. 1

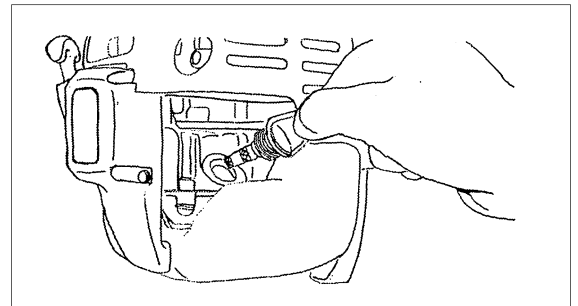


Afb. 2

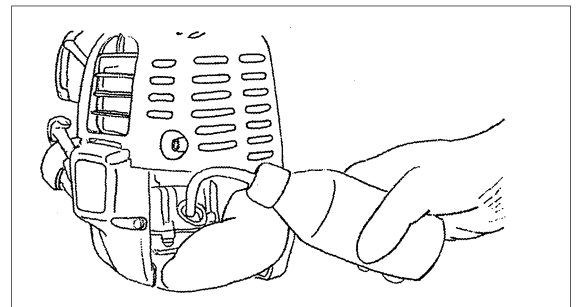


Afb. 3

- (1) Houd de motor horizontaal en haal de oliepeilstok los.



- (2) Vul bij met motorolie tot aan de rand van de olievul-opening. (Zie Afb. 2 op de vorige bladzijde).
Gebruik bijvoorbeeld een spuitfles om de olie makkelijker in de opening te krijgen.



- (3) Zet de oliepeilstok weer goed vast. Doet u dat niet, dan kan er olie lekkage optreden.

Opmerking 2 bij het verversen van olie: "Als er olie gemorst wordt"

- Als er olie gemorst wordt tussen de brandstoftank en de motor zelf, kan de olie in de inlaat van de luchtkoeling gezogen worden, waardoor de motor verontreinigd kan raken. Vergeet niet om gemorste olie op te nemen voor u de motor weer in gebruik neemt.

TANKEN

Omgaan met brandstof

U moet brandstof met de grootst mogelijke voorzichtigheid behandelen. Brandstof kan aan oplosmiddelen verwante stoffen bevatten. U moet tanken in een voldoende geventileerde ruimte of in de open lucht. Adem de brandstofdampen niet in en houd de brandstof zo veel mogelijk bij u vandaan. Als u herhaaldelijk en voor langere tijd in aanraking bent met brandstoffen, zal de huid uitdrogen en kan zich een huidziekte of allergie ontwikkelen. Als er brandstof in uw oog komt, dient u het oog te spoelen met water. Als u oog dan nog pijn blijft doen, dient u een arts te raadplegen.

Opslagtermijn van brandstof

Brandstof hoort binnen 4 weken opgebruikt te worden, zelfs al wordt het bewaard in een speciale container in een goed geventileerde, donkere ruimte.

Als u geen speciale container gebruikt, of als de container open is, kan brandstof binnen een dag onbruikbaar worden.

Opslag van de machine en de tank

- Bewaar de machine en de tank op een koele plek, uit de zon.
- Bewaar in geen geval brandstof in de passagiersruimte of de bagageruimte van uw auto.

Brandstof

De gebruikte motor is een 4-takt motor. Let er op dat u benzine voor auto's gebruikt (normaal of super).

Opmerkingen over brandstof

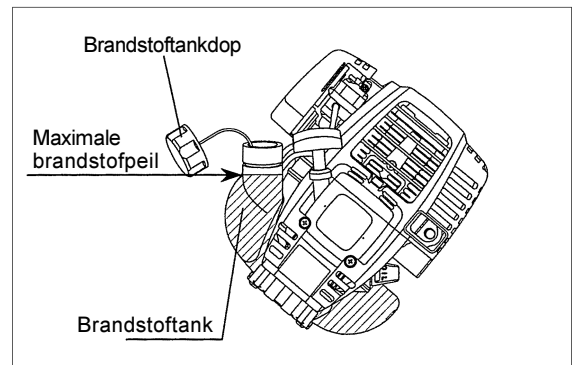
- Gebruik nooit een benzine-olie mengsel. Doet u dit toch, dan kan er zich een koolstof afzetting vormen en kunnen er mechanische problemen op gaan treden.
- Gebruik van slechte brandstof zal de motor onregelmatig doen starten.

Tanken

WAARSCHUWING: ONTVLAMBARE MATERIALEN TEN STRENGSTE VERBODEN

Gebruikte benzine: benzine voor auto's

- Maak de tankdop een beetje los om eventuele gassen te laten ontsnappen.
 - Haal de tankdop los en doe brandstof in de tank terwijl u er voor zorgt dat de gassen in de tank kan ontsnappen door de vulopening naar boven te houden. (Doe nooit brandstof in de vulopening voor de motorolie.)
 - Veeg de omgeving van de tankdop goed schoon om te voorkomen dat vreemde voorwerpen in de brandstoftank terecht komen.
 - Doe de tankdop weer goed vast als u klaar bent met tanken.
-
- Als er een beschadiging of onvolkomenheid is aan de tankdop, dient u deze te vervangen.
 - De tankdop is aan slijtage onderhevig en dient elke twee a drie jaar vervangen te worden.



AANDACHTSPUNTEN BIJ DE BEDIENING EN HOE U DE MACHINE MOET STOPPEN

Raadpleeg de van toepassing zijnde veiligheidsinstructies!

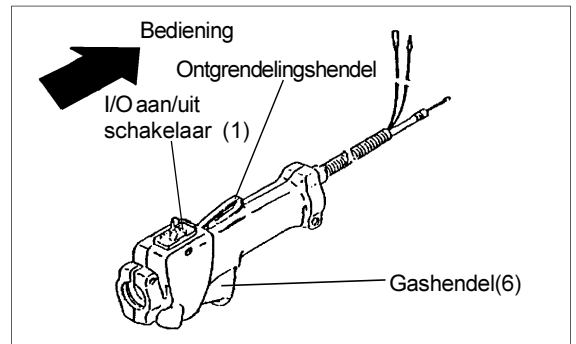


STARTEN

Verplaats u minimaal 3 meter van de tankplaats. Plaats de bosmaaier op een vlakke, schone ondergrond en zorg dat het snijgereedschap niet in aanraking kan komen met de grond of andere voorwerpen.

A: Koude start

- 1) Laat het gas los en zet de omwentelingsnelheid van de motor op het minimum.



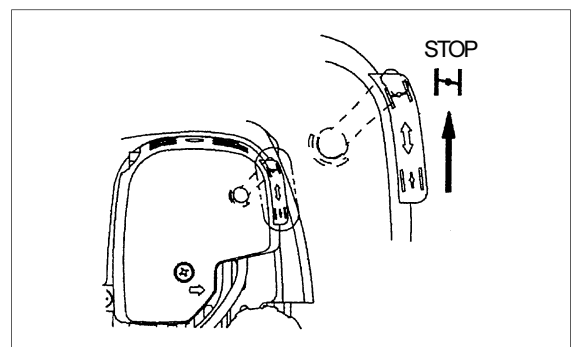
- 2) Zet de I-O stopschakelaar (1) op STOP.

3) Chokehendel

Sluit de chokehendel.

Open zetten van de choke:

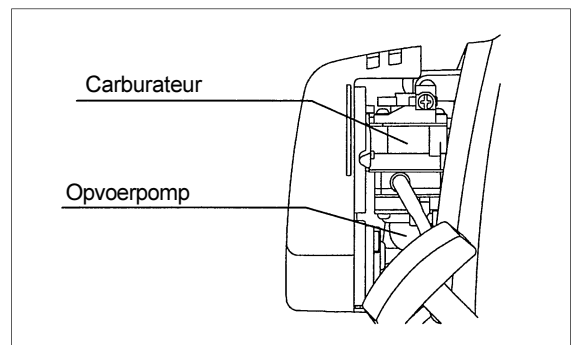
- Helemaal sluiten in koude omstandigheden of wanneer de motor koud is.
- Helemaal of half open bij opnieuw starten kort nadat de motor gestopt werd.



4) Opvoerpomp

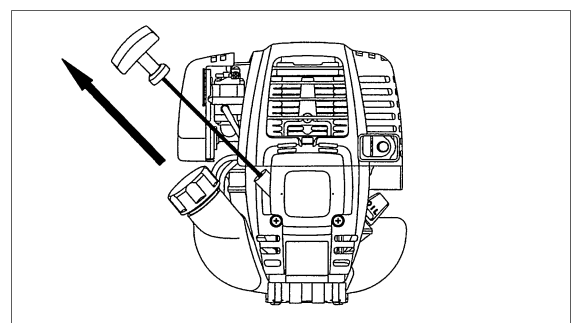
Blijf op de opvoerpomp drukken tot er brandstof in de opvoerpomp komt. (In het algemeen zal er na 7 tot 10 keer drukken brandstof in de opvoerpomp komen.)

Als u de opvoerpomp te intensief gebruikt, zal het teveel aan benzine teruggevoerd worden naar de brandstoftank.



5) Trekstarter

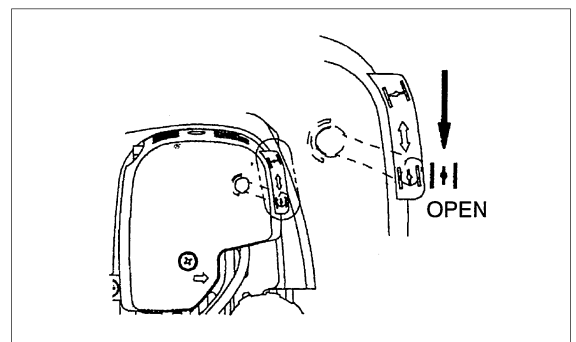
- Trek rustig aan de trekstarter tot u weerstand voelt (compressiepunt). Laat de trekstarter vervolgens terugkeren en trek er dan krachtig aan.
- Trek de trekstarter nooit volledig uit. Laat nooit direct los nadat u de trekstarter heeft uitgetrokken. Houd de trekstarter vast totdat deze terugkeert naar zijn oorspronkelijke positie.



6) Chokehendel

Zet de chokehendel open wanneer de motor start.

- Zet de chokehendel steeds verder open terwijl u controleert hoe de motor loopt. Vergeet niet dat de chokehendel uiteindelijk helemaal open moet staan.
- Als het koud is of wanneer de motor is afgekoeld, mag u nooit de chokehendel ineens helemaal open zetten. Doet u dit toch, dan kan de motor stilvallen.



7) Opwarmen

Laat de motor 2 a 3 minuten opwarmen.

- Noot: – Als de starthendel herhaaldelijk aangetrokken wordt met de choke op de "CLOSE" positie, komt er te veel benzinetoevoer hetgeen het starten bemoeilijkt.
- Indien er teveel benzinetoevoer is, verwijder de bougie en draai de starthendel enkele keren om de overvloedige benzine te verwijderen.
 - Droog verder de polen van de bougie.

Waarschuwing tijdens werkzaamheden:

Als de gashendel vol ingeknepen blijft in een onbelaste toestand, kan het motortoerental oplopen tot over de 10.000 tpm. Werk enkel met een belast toerental dat zo ongeveer tussen de 6000 en 8500 tpm ligt.

B: Starten na het opwarmen

- 1) Druk herhaaldelijk op de opvoerpomp.
- 2) Houd de gashendel in de stationairstand.
- 3) Trek hard aan de trekstarter.
- 4) Als het moeilijk is om de motor te starten, dient u het gas ongeveer 1/3 open te zetten. Let op het snijblad aangezien dit rond kan gaan draaien.

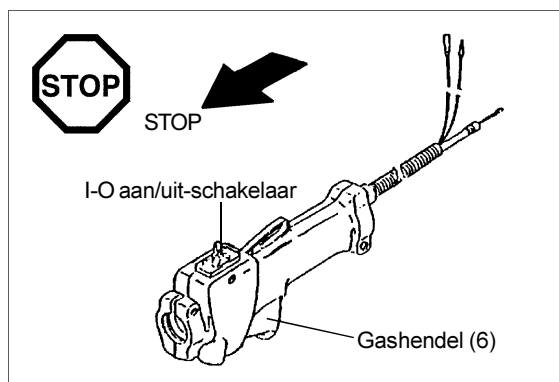
Let op bij de bediening

Wanneer de motor ondersteboven wordt gebruikt, is het mogelijk dat er witte rook uit de knaldemper komt.

STOPPEN

Zet de I-O schakelaar op STOP.

- 1) Laat de gashendel (6) los en als het motortoerental gezakt is zet u de I-O aan/uit-schakelaar op STOP, zodat de motor stopt.
- 2) Let er op dat het snijblad mogelijk niet onmiddellijk stopt en laat het in een dergelijk geval eerst volledig tot stilstand komen.

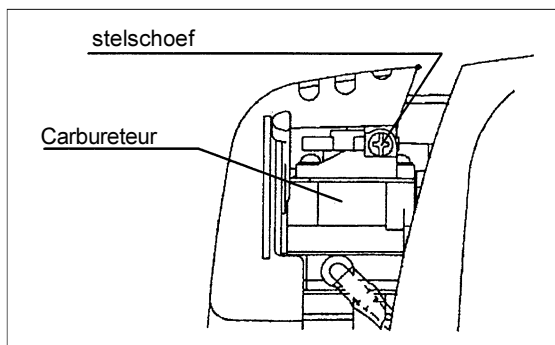


BIJSTELLEN VAN DE LAGE OMWENTELINGSSNELHEID (STATIONAIR)

Wanneer het noodzakelijk blijkt om het stationaire toerental bij te stellen, dient u de stelschroef op de carburateur bij te stellen.

CONTROLLEREN VAN HET STATIONAIRE TOERENTAL

- Stel het stationaire toerental in op 3000 t/m.
- Wanneer het noodzakelijk is het stationaire toerental bij te stellen, dient u de stelschroef op de carburateur bij te stellen (zoals rechts is afgebeeld), met een kruiskopschroevendraaier.
- Draai de stelschroef naar rechts om het toerental van de motor toe te laten nemen.
- Draai de stelschroef naar links om het toerental te laten dalen.
- De carburateur is standaard ingesteld voor het verlaten van de fabriek. Als het nodig is om hem bij te stellen, dient u contact op te nemen met uw erkende onderhoudsmonteur.

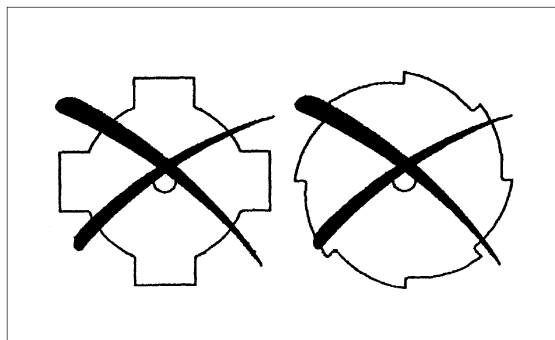


AANSCHERPEN VAN HET SNIJGEREEDSCHAP

LET OP : De ondervermelde mesbladen dienen alleen in een daarvoor bevoegde werkplaats te worden aangescherpt. Wanneer u aanscherpt met de hand, zal het snijgereedschap slecht gebalanceerd zijn, hetgeen potentieel gevaarlijke vibraties en beschadiging van de machine kan veroorzaken.

- Mesblad (kruisvormig mesblad (4 tanden), wervelmesblad (8 tanden)).
- Onze erkende service-agent verleent service bij het deskundig aanscherpen en balanceren van mesbladen.

OPMERKING: Om de gebruiksduur van het mesblad (kruisvormig mesblad, wervelmesblad) te verlengen, kunt u het mesblad éénmaal omkeren tot beide sneden bot geworden zijn. Een bot mesblad mag nooit verder worden gebruikt, omdat dit terugslag en ernstige verwonding kan veroorzaken.



ONDERHOUDSVOORSCHRIFTEN



WAARSCHUWING: Voordat u aan de bosmaaier werkt, altijd eerst de aan/uit-schakelaar op stop zetten en de bougiekap van de bougie trekken (zie "Bougie-controle") Draag altijd beschermende handschoenen!

Om een lange levensduur te verzekeren en eventuele schade aan de machine te voorkomen, moeten de volgende werkzaamheden met een zekere regelmaat worden uitgevoerd:

Dagelijkse controle en onderhoud

- Voordat u gaat werken met de bosmaaier controleer of alle schroeven vast zitten en geen schroeven vermist worden. Let vooral op de bevestiging van het snijgereedschap.
- Controleer of er geen vuil opgehoopt zit tussen de koelribben en tussen luchtspleten. Maak zonodig schoon.
- Na dagelijks werk het volgende onderhoud plegen:
 - Maak de bosmaaier schoon en controleer op beschadigingen.
 - Reinig het luchtfilter. Wanneer onder zeer stoffige omstandigheden gewerkt wordt, reinig het filter dan meerdere malen.
 - Controleer het snijgereedschap op schade en verzeker u dat de bevestiging goed vast zit.
 - Controleer of de gaskabelafstelling genoeg vrije slag biedt, zodat het snijgereedschap niet draait tijdens het stationaire toerental (stel zonodig opnieuw af).
- Als na afstellen van het stationaire toerental het snijgereedschap nog steeds draait, raadpleeg uw dealer. Controleer het functioneren van de gashendel, blokkeerknop, aan/uit-schakelaar en veiligheidsvergrendeling.

VERVERSEN VAN DE MOTOROLIE

Te lang gebruikte motorolie zal de levensduur van de heen en weer bewegende en roterende onderdelen flink bekorten. Vergeet niet te controleren wanneer en hoeveel olie verversd moet worden.



! LET OP: In het algemeen zullen de motor zelf en de motorolie nog enige tijd heet blijven ook al is de motor gestopt. Als u de olie wilt gaan verversen, moet u eerst controleren of de motor zelf en de motorolie daarin voldoende zijn afgekoeld. Doet u dat niet, dan bestaat het gevaar dat u zich zult branden.

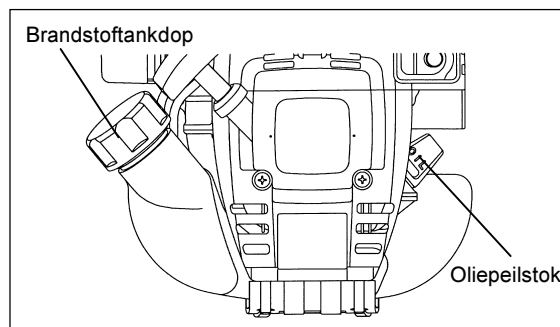
NOOT: Als er teveel olie in het carter gedaan is, kan de olie verontreinigd raken, of verbranden met een witte rook als resultaat.

Verversingsinterval: In het begin na elke 20 bedrijfsuren, daarna na elke 50 bedrijfsuren.

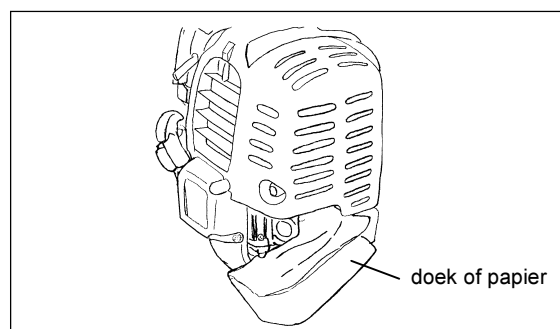
Aanbevolen olie: SAE10W-30 olie van API Classificatie SF Klasse of hoger (4-takt olie voor auto's)

Voer de volgende procedure uit bij het verversen van de olie.

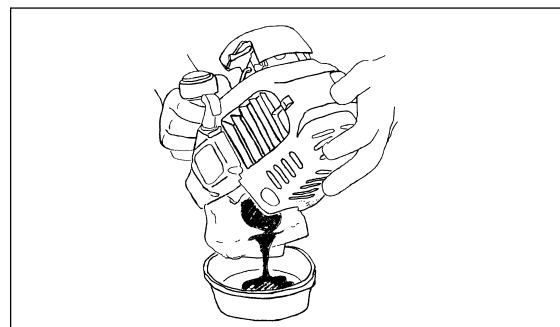
- 1) Controleer of de tankdop goed dicht zit.
- 2) Maak de oliepeilstok los. Houd de oliepeilstok vrij van stof of vuil.



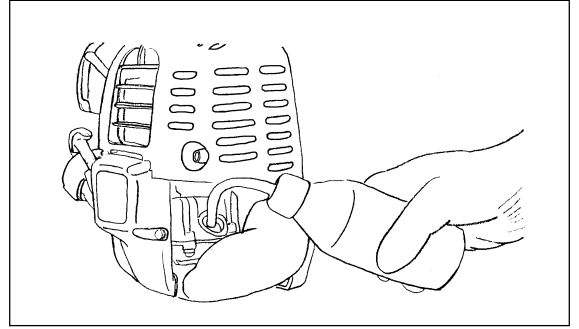
- 3) Houd een poetsdoek of stuk papier bij de olievl-opening.



- 4) Verwijder de oliepeilstok en tap de olie af door het apparaat met de olievl-opening naar beneden te kiepen. Laat de afgewerkte motorolie in een bak lopen.



- 5) Houd de motor horizontaal en vul het carter met verse motorolie tot aan de rand van de olievl-opening. U kunt het makkelijkst een spuitfles of iets dergelijks gebruiken.
- 6) Doe de oliepeilstok weer terug en zet hem goed vast na het verversen van de olie. Als u de oliepeilstok niet goed vast maakt, zal er olie gaan lekken.



OPMERKINGEN OVER OLIE

- Gooi afgewerkte motorolie niet weg met het normale vuilnis en loos het niet in de natuur of in een sloot. Het afvoeren van olie is wettelijk geregeld. Volg altijd de geldende wetten en regelgeving wanneer u zich van afgewerkte motorolie wilt ontdoen. Neem contact op met een erkende onderhoudsmonteur als u hieromtrent vragen hebt.
- Ook wanneer u olie gewoon bewaart zal de olie op den duur bederven. Controleer regelmatig of de olie die u wilt gebruiken nog goed is (vervang de olie minstens elke 6 maanden).

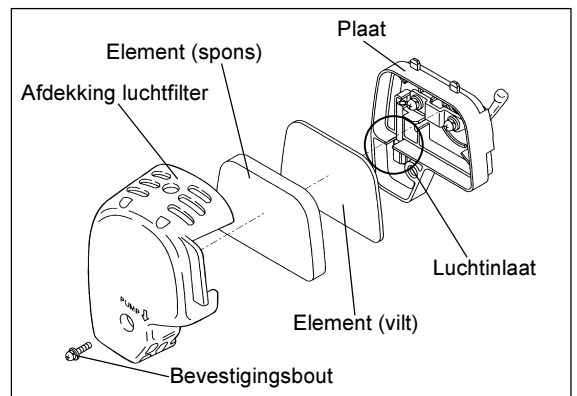
REINIGEN VAN HET LUCHTFILTER



GEVAAR: ONTVLAMBARE MATERIALEN TEN STRENGSTE VERBODEN

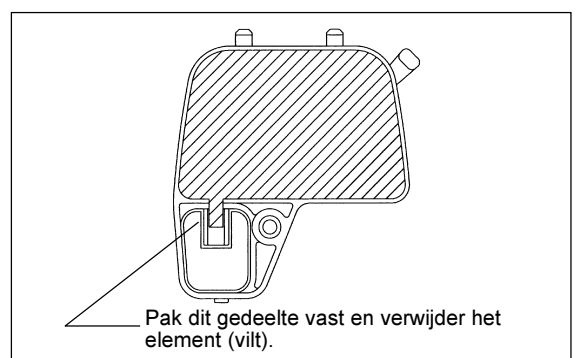
Interval voor reiniging en inspectie: Dagelijks (om de 10 bedrijfsuren)

- Doe de chokehendel helemaal dicht en zorg ervoor dat er verder geen stof en vuil in de carburateur terecht kan komen.
- Verwijder de bevestigingsbout(en) van het deksel van het luchtfilter.
- Trek het deksel naar beneden en haal het los.
- Als er nog olie aan het element (spons) zit, dient u het stevig uit te knijpen.
- Bij zware verontreiniging:
 - 1) Verwijder het element (spons), dompel het in warm water of in een neutraal sopje en laat het vervolgens goed drogen.
 - 2) Reinig het element (vilt) met benzine en laat het goed drogen.
- Voor u het element weer terugzet, moet u controleren of het volledig gedroogd is. Is het element nog niet goed droog, dan kunt startproblemen ondervinden.
- Veeg met een poetsdoek eventuele olie rond de afdekking van het luchtfilter en luchtinlaat weg.
- Direct na het reinigen dient u het deksel terug te zetten en vast te maken met de bevestigingsbout(en). (Maak eerst de haakjes aan de bovenkant vast en vervolgens aan de onderkant.)



Aandachtspunten voor het luchtfilter element

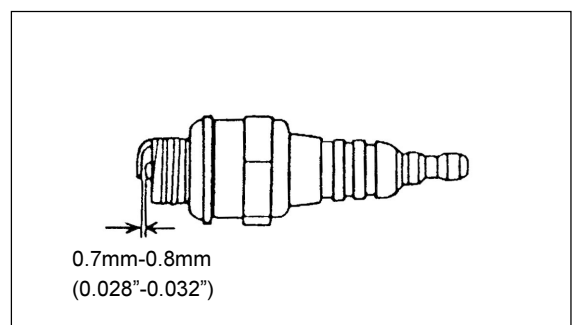
- Reinig het element verschillende keren per dag als er erg veel stof door wordt opgevangen.
- Als u door blijft werken terwijl het element nog olie bevat, kan er olie uit het luchtfilter lekken, met alle gevolgen van dien.



BOUGIE-CONTROLE

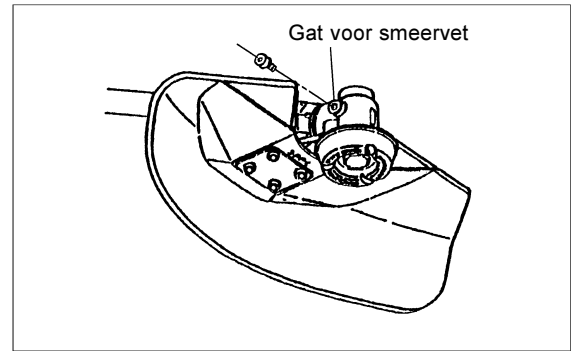
- Gebruik enkel de originele bougiesleutel om een bougie te vervangen of te controleren.
- De afstand tussen de 2 elektroden moet 0,7-0,8mm bedragen. Is de afstand te groot of te nauw, stel deze bij. Als de bougie aangekoekt is, vervang deze of maak deze schoon.

WAARSCHUWING: Raak nooit de bougiekabel aan met draaiende motor (gevaar voor elektrische schok met hoog voltage).



SMEREN VAN HET DRIJFWEK

- Smeren via de smeer-opening hittebestendig vet (Shell Alvania 2 of gelijkwaardig) in het drijfwerk na iedere 30 draai-uren. (Speciaal MAKITA smeervet is verkrijgbaar bij uw MAKITA-dealer.)

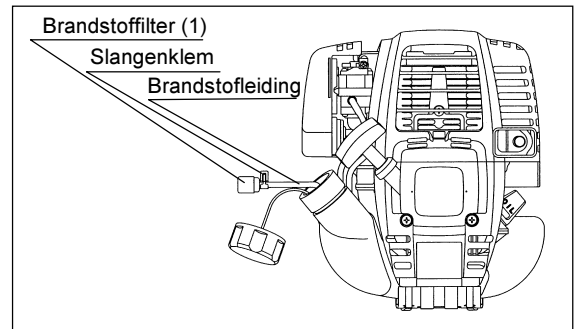


REINIGEN VAN HET BRANDSTOFFILTER GEVAAR: ONTVLAMBARE MATERIALEN TEN STRENGSTE VERBODEN

Interval voor reiniging en inspectie: Maandelijks (om de 50 bedrijfsuren)

Zuigkop in de benzinetank

- Het brandstoffilter (1) van de zuigkop filtert de benzine voordat deze in de carburateur komt.
- Regelmatige controle van dit brandstoffilter is aanbevolen. Verwijder de tankdop en haak de zuigkop naar buiten. Vervuilde of uitgeharde brandstoffilters uitwisselen.
- Onvoldoende benzinetoevoer door vervuilde zuigkoppen kunnen allerlei storingen veroorzaken, wissel daarom regelmatig het brandstoffilter uit, op zijn minst om de paar maanden.



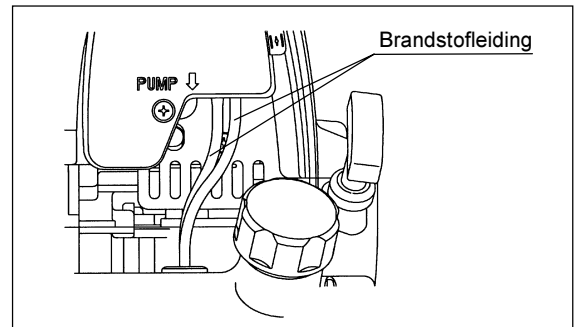
BRANDSTOFLEIDING VERVANGEN

GEVAAR: ONTVLAMBARE MATERIALEN TEN STRENGSTE VERBODEN

Interval voor reiniging en inspectie: Dagelijks (om de 10 bedrijfsuren)
Vervanging: Jaarlijks (elke 200 bedrijfsuren)

Vervang de brandstofleiding elk jaar, ongeacht hoe vaak u het apparaat gebruikt. Brandstoflekkage kan brand veroorzaken.

Als u bij inspectie brandstoflekkage constateert, dient u onmiddellijk de brandstofleiding te vervangen.



INSPECTIE VAN BOUTEN, MOEREN EN SCHROEVEN

- Draai losgetrilde bouten, moeren enz. opnieuw vast.
- Controleer of er brandstof- of olie lekkage is opgetreden.
- Vervang beschadigde of versleten onderdelen onmiddellijk door nieuwe om een veilige werking van het apparaat te waarborgen.

REINIGEN VAN ONDERDELEN

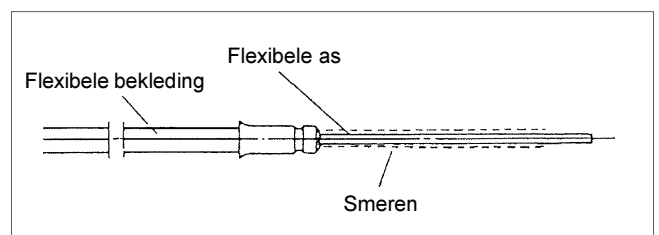
- Houd de motor altijd zo schoon mogelijk.
- Houd de cilinders vrij van stof en vuil. Als de koelvinnen bedekt raken door stof en vuil, kan de motor vastlopen.

VERVANGEN VAN PAKKINGEN EN AFDICHTINGEN

Wanneer u de motor opnieuw monteert nadat u het apparaat uit elkaar heeft gehaald, moet u de pakkingen en afdichtingen door nieuwe vervangen.

SMEREN VAN DE FLEXIBELE AS

- Trek om de 20 bedrijfsuren de flexibele as uit de flexibele bekleding en smeer vervolgens de flexibele as.
- De flexibele as kan breken als deze niet gesmeerd wordt.



Onderhoudswerkzaamheden of afstellingen die in deze gebruiksaanwijzing niet zijn vermeld of beschreven, dienen uitsluitend door een Erkende Service Agent te worden uitgevoerd.

MACHINE-OPSLAG



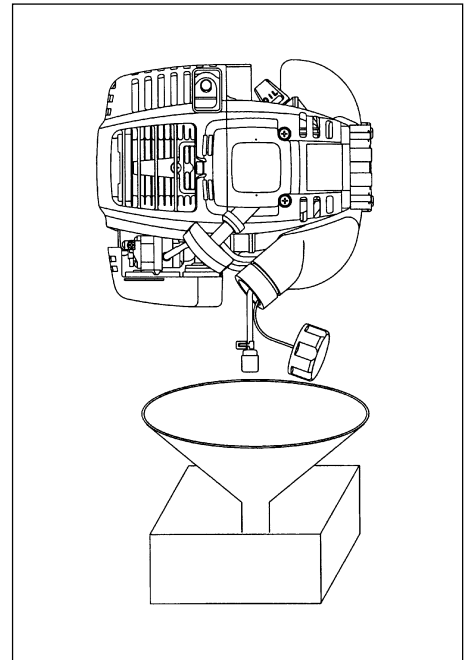
WAARSCHUWING: Voor u de brandstof aftapt moet u de motor stoppen en laten afkoelen.

Kort nadat de motor gestopt is, kan deze nog heet zijn, hetgeen kan leiden tot brandwonden, brandgevaar en brand.



LET OP: Wanneer u de machine langere tijd niet zult gebruiken, dient u alle brandstof uit de tank en de carburateur af te tappen en de machine te bewaren op een droge en schone plek.

- Tap de brandstof uit de tank en de carburateur af via de volgende procedure:
 - 1) Verwijder de tankdop en tap alle brandstof af.
Als er verontreinigingen achterblijven in de brandstoftank, dient u deze eveneens volledig te verwijderen.
 - 2) Gebruik een draad om het brandstoffilter te verwijderen.
 - 3) Druk op de opvoerpomp tot alle brandstof daaruit verwijderd is en tap eventuele brandstof uit de tank af.
 - 4) Doe het filter weer terug in de tank en doe de tankdop goed vast.
 - 5) Laat de motor vervolgens lopen tot deze vanzelf stopt.
- Verwijder de bougie en druppel een beetje motorolie in het bougiegat.
- Trek voorzichtig aan de starter zodat de motorolie verdeeld wordt en doe de bougie weer terug.
- Bevestig de afscherming op het snijblad.
- Tijdens de opslag dient de stok horizontaal gehouden te worden, of dient u de machine rechtop te houden met het blad naar boven. (Wees in dit geval voorzichtig dat de machine niet kan vallen.)
Bewaar de machine in geen geval met het snijblad naar beneden.
Er zou dan namelijk olie kunnen lekken.
- Bewaar de afgetapte brandstof in een speciale jerrycan in een goed geventileerde ruimte.



Let op na opslag voor langere tijd

- Voor u de machine weer opstart nadat deze langere tijd opgeslagen is geweest, dient u de olie te vervangen (zie blz. 101). De olie verslechtert namelijk wanneer de machine langere tijd niet gebruikt wordt.

Storing lokaliseren

Storing	Onderdeel	Observatie	Oorzaak
Motor start niet of nauwelijks	Ontsteking	Bougie vonkt	Oorzaak in benzinetoevoer of compressiesysteem, of mechanische oorzaak
		Vonkt niet	Stopschakelaar, kabelbreuk, kortsluiting, bougie of aansluiting defect ontstekingsspoel defect
	Benzinetoevoer	Tank gevuld	Onjuiste chokepositie, carburateur defect, vervuilde zuigkop, breuk, knik of vuil in benzineleiding
	Compressie	Geen compressie bij start	Voetpakking stuk, krukaskeerringen defect, zuigerveren gebroken of lekke bougiepakking
Warm start problemen	Mechanische storing	Starter functioneert niet	Gebroken startveer, defecte startpallen
		Tank gevuld bougie vonkt	Carburateur vervuild, laten reinigen
Motor start maar valt stil	Benzinetoevoer	Tank gevuld	Onjuiste afstelling, vervuilde zuigkop of carburateur Defecte ontluchting, breuk benzineleiding, kabelbreuk, ontsteking defect
Onvoldoende vermogen	Diverse oorzaken	Stationairloop onregelmatig	Luchtfilter vervuild, carburateur vervuild, uitlaat verstopt uitlaatpoort vervuild

Onderdeel Bedrijfsuren		Voor gebruik	Na smering	Dagelijks (10 u.)	30 u.	50 u.	200 u.	Motor uit/rustpauze	Correspon derende P
Motorolie	Inspecteren/ reinigen	○							97
	Verversen					○ ^{*1}			101
Onderdelen vastzetten (bouten, moeren)	Inspecteren	○							103
Brandstoftank	Reinigen /inspecteren	○							—
	Brandstof aftappen							○ ^{*3}	104
Gashendel	Werking controleren		○						99
Stopschakelaar	Werking controleren		○						99
Snijblad	Inspecteren	○		○					96
Stationaire draaisnelheid	Inspecteren/ bijstellen			○					100
Luchtfilter	Reinigen			○					102
Bougie	Inspecteren			○					102
Kanaal luchtkoeling	Reinigen /inspecteren			○					103
Brandstofleiding	Inspecteren			○					103
	Vervangen						◎ ^{*2}		—
Smering tandwielkast	Bijvullen				○				103
Brandstoffilter	Reinigen /vervangen					○			103
Speling tussen luchtinlaatklep en uitlaatklep	Bijstellen						◎ ^{*2}		—
Olieleiding	Inspectie						◎ ^{*2}		
Reviseren motor							◎ ^{*2}		—
Carburateur	Brandstof aftappen							○ ^{*3}	104

*1 Voer de eerste verversing uit na 20 bedrijfsuren.

*2 Laat de inspectie na 200 bedrijfsuren uitvoeren door een erkende onderhoudsmonteur of motor-werkplaats.

*3 Laat de motor gewoon even doorlopen nadat u de brandstoftank heeft leeg gemaakt om alle brandstof uit de carburateur te verwijderen.

OPLOSSEN VAN PROBLEMEN

Ga eerst zelf na wat er aan de hand zou kunnen zijn voor u om een reparatie gaat verzoeken. Als u iets abnormaals vindt, voer dan de handelingen beschreven in deze handleiding uit. Knoei niet met onderdelen en demonteer geen onderdelen als dat niet in de handleiding beschreven wordt. Neem contact op met een erkende onderhoudsmonteur of uw dealer voor eventuele reparaties.

Probleem	Waarschijnlijke oorzaak (storing)	Oplossing
De motor start niet	U heeft de opvoerpomp niet gebruikt.	Druk 7 tot 10 keer op de opvoerpomp.
	Er wordt niet snel genoeg aan de trekstarter getrokken.	Trek harder.
	Niet genoeg brandstof.	Ga tanken.
	Brandstoffilter verstopt.	Reinig het brandstoffilter.
	Brandstofleiding geknakt of kapot.	Haal de knik eruit of vervang de brandstofleiding.
	Slechte brandstof.	Als de brandstof oud of slecht is, is de motor moeilijker te starten, Gebruik verse brandstof. (Ververs de brandstof in de tank minstens een keer per maand.)
	Te grote toevoer van brandstof (verzuipen).	Zet de gashendel op halve of hoge snelheid en trek aan de trekstarter totdat de motor start. **Wanneer de motor aanslaat zal het snijblad direct mee gaan draaien. Let goed op het snijblad.** Als de motor nog steeds niet wil starten, dient u de bougie eruit te draaien, af te drogen en weer in te draaien. Start de motor vervolgens zoals beschreven.
	Losse bougiedop.	Zet de bougiedop weer vast.
	Vuile bougie.	Maak de bougie schoon.
	Abnormale elektrodenafstand.	Stel de afstand tussen de elektroden van de bougie bij.
	Andere problemen met de bougie.	Vervang de bougie.
	Problemen met de carburateur.	Verzoek om inspectie en onderhoud.
	De trekstarter werkt niet.	Verzoek om inspectie en onderhoud.
Problemen met de overbrenging.	Verzoek om inspectie en onderhoud.	
Motor valt stil. Motorsnelheid neemt niet toe.	Niet genoeg opgewarmd.	Laat de motor eerst opwarmen.
	De chokehendel staat op "CLOSE" (dicht), alhoewel de motor al opgewarmd is.	Zet de chokehendel open.
	Brandstoffilter verstopt.	Reinig het brandstoffilter.
	Luchtfilter verstopt of verontreinigd.	Reinig het luchtfilter.
	Problemen met de carburateur.	Verzoek om inspectie en onderhoud.
	Problemen met de overbrenging.	Verzoek om inspectie en onderhoud.
Het snijblad draait niet. ↓ Stop de motor onmiddellijk.	De bevestigingsmoer van het snijblad zit los.	Draai de moer goed vast.
	Het snijblad zit vast in plantenresten of tegen de afdekking.	Verwijder de ongerechtigheden.
	Problemen met de overbrenging.	Verzoek om inspectie en onderhoud.
Het apparaat zelf trilt op abnormale wijze. ↓ Stop de motor onmiddellijk.	Het snijblad is kapot, verbogen of versleten.	Vervang het snijblad.
	De bevestigingsmoer van het snijblad zit los.	Draai de moer goed vast.
	Het bolle deel van het snijblad is verschoven ten opzichte van de bevestiging.	Maak opnieuw goed vast.
	Problemen met de overbrenging.	Verzoek om inspectie en onderhoud.
Het snijblad stopt niet onmiddellijk. ↓ Stop de motor onmiddellijk.	Het stationaire toerental is te hoog.	Stel het stationaire toerental correct af.
	De gaskabel zit niet goed vast.	Maak de gaskabel op de juiste wijze vast.
	Problemen met de overbrenging.	Verzoek om inspectie en onderhoud.
De motor stopt niet. ↓ Laat de motor stationair lopen en zet de chokehendel op CLOSE (dicht).	Stekkertje los.	Maak het stekkertje vast.
	Problemen met het elektrische systeem.	Verzoek om inspectie en onderhoud.

Wanneer de motor niet start na het opwarmen:

Als u geen problemen vindt via de bovenstaande controles, dient u het gas ongeveer 1/3 open te zetten en vervolgens de motor te starten.

Agradecemos muchísimo el que nos haya honrado con la elección de un desbrozadora MAKITA. Nos complace poder ofrecerle el desbrozadora MAKITA, resultado de un largo programa de investigación y de muchos años de conocimientos y experiencias. Lea, entienda y siga las instrucciones de este manual que explican con todo detalle los diversos puntos que demostrarán su excelente rendimiento. Esto le ayudará a obtener de forma segura el mejor resultado posible de su desbrozadora MAKITA.



índice	Página
Símbolos	107
Instrucciones de seguridad	108-112
Datos técnicos	113
Designación de las piezas	114
Ensamblaje del motor y del eje conductor	115-116
Montaje del manubrio	117
Montaje del protector	117
Montaje de la cuchilla	117
Antes de empezar el trabajo	118-119
Puntos relacionados con el manejo y la parada	120-121
Afilado de la cuchilla	121
Instrucciones de Servicios	122-124
Almacenamiento	125-126
Investigación de averías	127

SÍMBOLOS

Cuando lea este manual de instrucciones será muy importante entender los símbolos siguientes:

	Lea, entienda y siga las instrucciones del manual		Póngase un casco de seguridad y proteja sus ojos y sus oídos
	Advertencia/Peligro/Precaución		Máxima velocidad de trabajo permitida.
	Prohibido		Combustible (Gasolina)
	Aléjese		Arranque manual del motor
	Peligro de que salgan despedidos objetos		Parada de emergencia
	No fume		Primeros auxilios
	Evite las llamas		Reciclado
	Póngase guantes de protección		ENCENDIDO/ARRANQUE
	Contragolpe (Sólo para desbrozadora)		APAGADO/PARADA
	Evite que personas o animales domésticos entren en el área de trabajo.		Marca CE

INSTRUCCIONES DE SEGURIDAD

Instrucciones generales

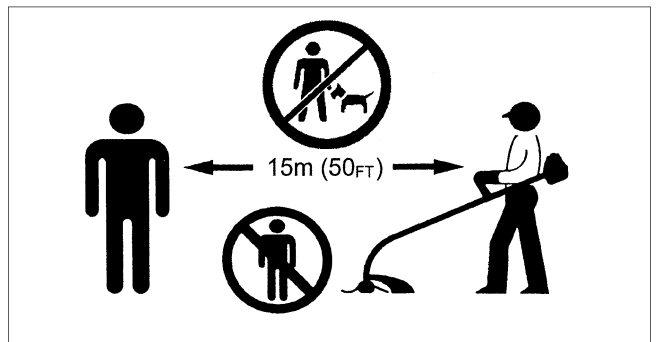
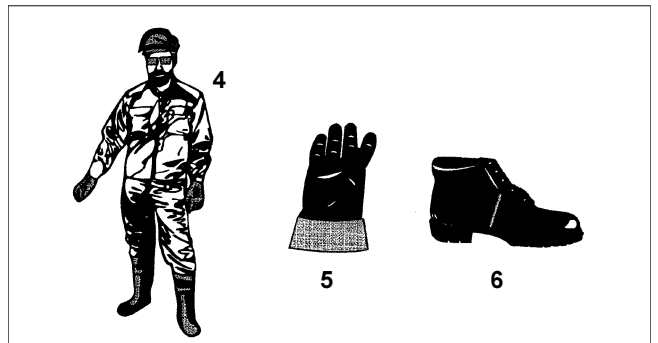
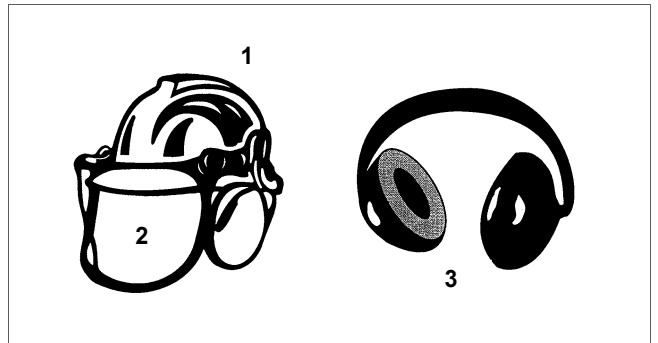
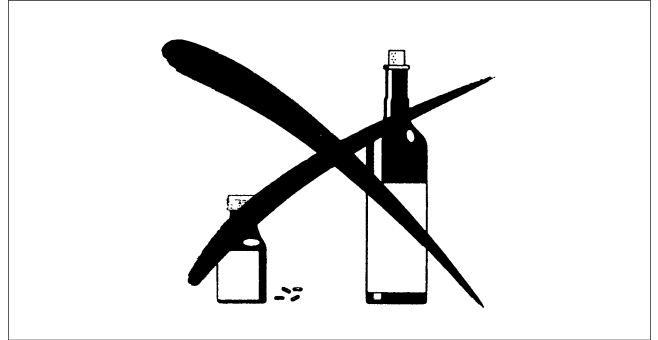
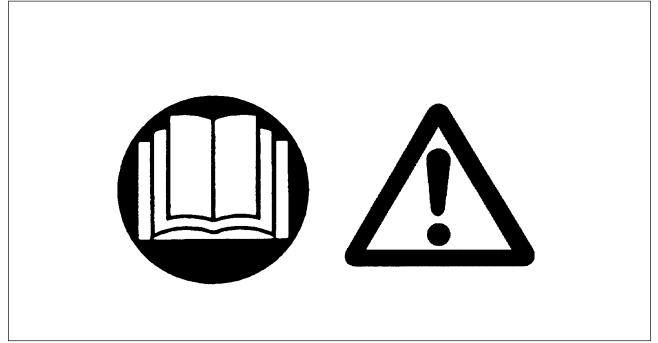
- Para asegurar un funcionamiento correcto y seguro, el usuario deberá leer, entender y seguir las instrucciones de este manual, para familiarizarse con el manejo del desbrozadora. Los usuarios que no dispongan de suficiente información se pondrán en peligro a sí mismos y pondrán en peligro también a otras personas porque no podrán efectuar un manejo correcto.
- Se recomienda prestar el desbrozadora sólo a las personas que demuestren tener experiencia con desbrozadores. Entregue siempre el manual de instrucciones.
- Utilice el desbrozadora solamente con todos los protectores instalados.
- Los usuarios que utilicen el desbrozadora por primera vez deberán solicitar las instrucciones básicas al concesionario para familiarizarse con el manejo del desbrozadora motorizado.
- A los niños y a los jóvenes menores de 18 años no se les deberá permitir utilizar el desbrozadora. Las personas de más de 16 años, sin embargo, podrán utilizarlo con el fin de ser instruidos en su utilización sólo cuando se encuentren bajo la supervisión directa de un instructor cualificado.
- Utilice los desbrozadores con el máximo cuidado y atención.
- Utilice solamente el desbrozadora cuando se encuentre en buenas condiciones físicas. Haga todo el trabajo a conciencia y con cuidado. El usuario tendrá que aceptar responsabilidades por los demás.
- Nunca utilice el desbrozadora bajo la influencia del alcohol o drogas.
- No utilice el desbrozadora cuando esté cansado.
- Guarde estas instrucciones para utilizarlas como referencia en el futuro.

Equipo de protección personal

- La popa que vista deberá ser funcional y apropiada, por ejemplo, deberá quedar ajustada pero no deberá estorbar. No se ponga joyas o ropas que puedan enredarse en los matorrales o en los arbustos. El cabello largo suelto también puede causar el mismo problema.
- Para evitar heridas en la cabeza, los ojos, las manos o los pies, así como también para proteger sus oídos, durante el funcionamiento del desbrozadora deberá utilizarse el equipo y la ropa de protección siguientes.
- Póngase siempre un casco de seguridad cuando trabaje en el bosque. El casco de seguridad (1) deberá comprobarse a menudo para cerciorarse de que no esté estropeado, y deberá cambiarse como mínimo cada 5 años. Utilice solamente cascos de seguridad autorizados.
- El visor (2) del casco (o las gafas de protección aprobadas) sirve de protección a la cara contra los palos, las piedras y otros objetos que puedan salir despedidos. Durante el funcionamiento del desbrozadora, póngase siempre gafas de protección o un visor para evitar heridas en los ojos.
- Póngase el equipo de protección contra ruidos apropiado para no perjudicar sus oídos (protectores de oídos (3), tapones para los oídos, etc.), especialmente cuando trabaje durante mucho tiempo.
- El mono de trabajo (4) protege contra las piedras y las astillas que salen despedidas. Recomendamos al usuario que vista un mono de trabajo.
- Los guantes especiales (5) de cuero grueso forman parte del equipo recomendado, y deben ponerse siempre durante el funcionamiento del desbrozadora.
- Cuando utilice el desbrozadora, póngase siempre zapatos fuertes (6) con suelas que no patinen. Esto evitará que sufra heridas y asegurará una posición estable de los pies.

Arranque del desbrozadora

- Asegúrese de que no haya niños ni otras personas dentro de un radio de 15 metros del punto de trabajo, tenga cuidado también con cualquier animal que pueda haber en las cercanías del lugar de trabajo.
- Antes de utilizar el desbrozadora, compruébelo siempre para asegurarse de que no exista peligro al utilizarlo:** Compruebe la seguridad de la cuchilla. Asegúrese de que la tuerca de mantaje de la cuchilla esté firmemente asegurada. La palanca de la mariposa de gases deberá ser comprobada para ver si se puede mover suave y fácilmente. Compruebe el cierre de la palanca de la mariposa de gases para ver si funciona correctamente. durante el funcionamiento al ralentí, la cuchilla no deberá girar. Consulte las instrucciones de ajuste del ralentí, la cuchilla no deberá girar. Consulte las instrucciones de ajuste del ralentí en la página 121. Asegúrese de que los manubrios estén secos y pruebe el funcionamiento del interruptor de parada. Mantenga los manubrios limpios de aceite y combustible.
- Antes de la operación, compruebe y siga todas las normas relativas al nivel de ruido y a los horas de trabajo.
- Arranque solamente el desbrozadora colocado en el suelo.
- No lo arranque colocado a su espalda.



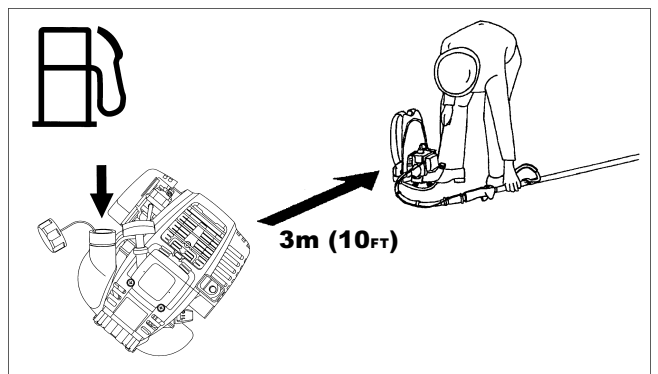
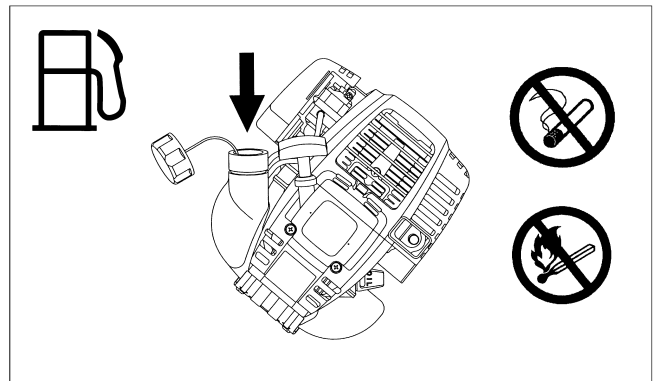
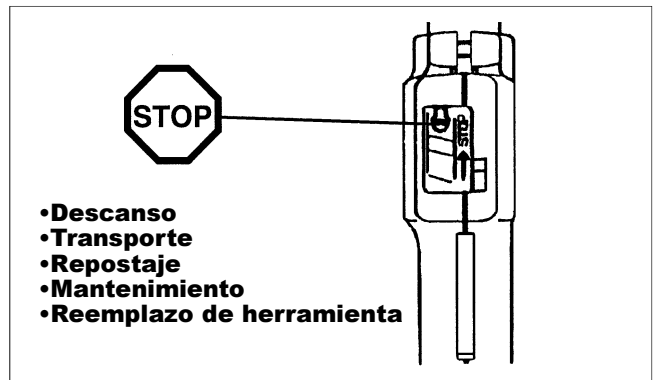
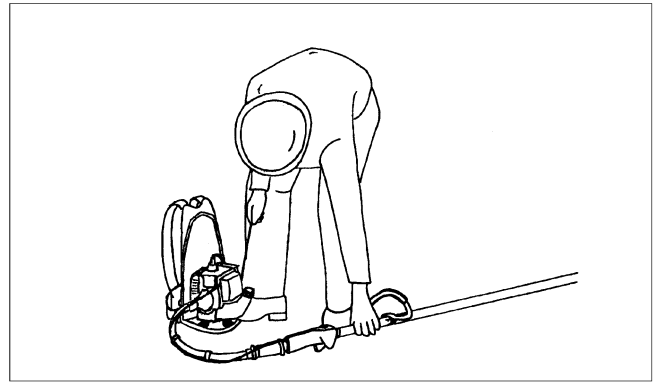
Arranque solamente el desbrozadora siguiendo las instrucciones.

No utilice ningún otro método para arrancar el motor.

- Utilice solamente el desbrozadora y las herramientas suministradas para las aplicaciones especificadas.
- **Arranque solamente el motor del desbrozadora después de haber ensamblado toda la herramienta. El funcionamiento de la herramienta sólo estará permitido cuando estén instalados todos los accesorios apropiados.**
- Antes de arrancar, asegúrese de que la cuchilla no entre en contacto con ningún objeto tal como ramas, piedras, etc.
- El motor deberá apagarse inmediatamente en caso de que tenga cualquier problema.
- Si la cuchilla golpea piedras u otros objetos, pare inmediatamente el motor e inspeccione la cuchilla.
- Inspeccione a menudo la cuchilla por si está estropeada (detección de grietas finas mediante pruebas de golpes ligeros y ruido).
- Deberá oírse un sonido familiar.
- Utilice solamente el desbrozadora con la correa para el hombro instalada. Ésta deberá ajustarse adecuadamente antes de poner en funcionamiento el desbrozadora. Es esencial ajustar la correa para el hombro según el tamaño del usuario, para evitar la fatiga producida durante la utilización o perder el control de la herramienta. Nunca sujete el desbrozadora con una mano mientras lo utilice.
- Durante el funcionamiento, sujete siempre el desbrozadora con ambas manos. **Asegúrese siempre de que sus pies estén en una posición segura y bien equilibrada.**
- Utilice el desbrozadora de forma que no inhale el humo de escape. Nunca ponga en funcionamiento el motor en un lugar cerrado (existe el riesgo de que se asfíxie o se envenene con el gas). El monóxido de carbono es un gas inodoro. Asegúrese siempre de que la ventilación sea adecuada.
- Apague el motor cuando descanse o cuando deje el desbrozadora desatendido. Póngalo en un lugar seguro para evitar que otras personas corran peligros, incendiar materiales combustibles o estropear la herramienta.
- Nunca ponga el desbrozadora caliente sobre hierba seca o materiales combustibles.
- La cuchilla debe utilizarse con su protector apropiado. Nunca utilice la herramienta sin esta protector.
- Todos las piezas de protección y protectores suministrados con el desbrozadora deberán ser utilizados durante el funcionamiento.
- Nunca utilice el motor si el silenciador de escape está estropeado.
- Pare el motor durante el transporte.
- Durante el transporte sobre largas distancias, el protector de la herramienta, incluido con el equipo, deberá ser utilizado siempre.
- Coloque el desbrozadora en posición vertical y fíjelo antes de transportarlo en un automóvil a fin de que sufra daños.
- Cuando transporte desbrozadora, asegúrese de que el tanque de combustible esté completamente vacío para evitar la fuga de combustible.

Repostaje

- Pare el motor antes de repostar, manténgase alejado de las llamas y no fume. Para reducir el riesgo de incendios y de quemaduras, maneje el combustible con cuidado. Es muy inflamable.
- Stop the engine during refuelling, keep well away from open flame and do not smoke.
- Evite el contacto de la piel con los productos derivados del petróleo. No inhale el vapor del combustible. Póngase siempre guantes de protección durante el repostaje. Cambie y limpie con regularidad la ropa protectora.
- Tenga cuidado de no derramar combustible ni aceite. Antes de arrancar el motor, limpie la máquina. Permita que los trapos mojados se sequen antes de tirarlos en recipientes adecuados y tapados para evitar la combustión espontánea.
- Evite cualquier contacto del combustible con su ropa. Cambie inmediatamente su ropa si ha derramado combustible en ella (peligro).
- Inspeccione con regularidad la tapa del tanque de combustible para asegurarse de que esté firmemente apretada.
- Apriete cuidadosamente el tornillo de cierre del tanque de combustible. Cambie de sitio para arrancar el motor (a unos 3 metros como mínimo del lugar donde repostó el combustible).
- Nunca reposte en habitaciones cerradas. El vapor del combustible se acumula a nivel del suelo (riesgo de explosión).
- Transporte y guarde solamente el combustible en recipientes aprobados. Asegúrese de que los niños no puedan llegar al combustible almacenado.
- No intente repostar un motor caliente o en funcionamiento.
- Cuando mezcle gasolina con aceite de motor de dos tiempos, utilice solamente gasolina sin elanol ni metanol (tipos de alcohol). Esto evitara problemas en los tubos de combustible y en otras piezas del motor.



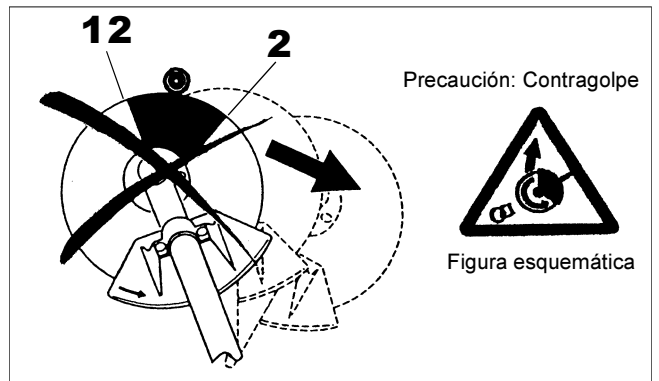
Método de funcionamiento

- Utilice solamente el desbrozadora cuando haya buena luz y visibilidad. Durante las estaciones frías, tenga cuidado con las zonas resbaladizas o mojadas, el hielo y la nieve (riesgo de patinar). Asegúrese siempre de que sus pies estén en una posición segura.
- No intente alcanzar lugares separados. Mantenga sus pies en una posición apropiada, guarde el equilibrio y controle la unidad en todo momento.
- Nunca corte por encima de la cintura.
- Nunca suba a una escalera mientras utilice el desbrozadora.
- Nunca suba a los árboles para cortar con el desbrozadora.
- Nunca trabaje sobre superficies inestables o terrenos muy inclinados.
- Quite todos los objetos tales como, las piedras, los clavos, hiebla etc, que encuentre en la zona de trabajo. Los materiales extraños podrían estropear la herramienta de corte y producir contragolpes peligrosos, o podrían salir despedidos peligrosamente.
- Antes de jempesar a cortar, la herramienta de corte deberá haber alcanzado la velocidad máxima de trabajo.
- Nunca utilice esta herramienta al revés ni cuando esté excesivamente inclinada.
- **!ADVERTENCIA! — El área de la cuchilla es aún peligrosa mientras la máquina funciona por inercia antes de pararse.**



Contragolpes

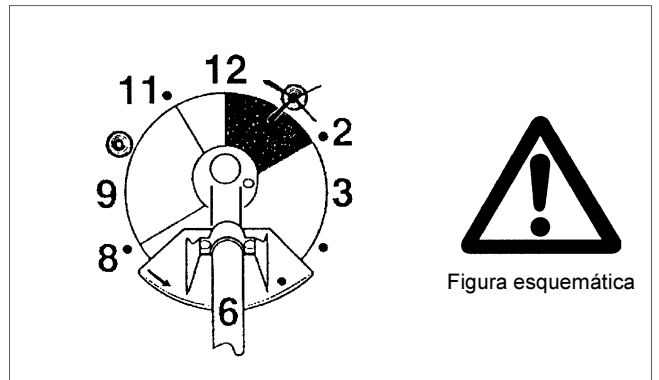
- Cuando utilice el desbrozadora podrán producirse contragolpes incontrolados.
- Esto sucederá particulamente cuando trate de cortar dentro de un segmento de la cuchilla comprendido entre las posiciones de las 12 y de las 2 en punto según se mira desde la posición del operador.
- Nunca aplique este segmento del desbrozadora a objetos sólidos tales como arbustos, tocones, árboles, etc. que tengan un diámetro superior a 3 cm.
- El desbrozadora se desviará con mucha fuerza y velocidad y podrá causar heridas graves.
- **Nunca aplique el desbrozadora dentro de un segmento de la cuchilla comprendido entre las posiciones de las 12 y de las 2 en punto.**



Prevención de contragolpes

Para evitar los contragolpes, tenga en cuenta lo siguiente:

- El funcionamiento dentro de un segmento de la cuchilla comprendido entre las posiciones de las 12 y las 2 en punto podrá causar graves peligros, especialmente cuando utilice cuchillas metálicas. La utilización de este desbrozadora aplicando posiciones de un segmento de la cuchilla comprendidas entre las 11 y las 12 en punto y entre las 2 y las 5 en punto aún puede causar algún peligro de contragolpe.
- Las operaciones de corte dentro de un segmento de la cuchilla comprendido entre las posiciones de las 11 y las 12 en punto, y entre las posiciones de las 2 y las 5 en punto, sólo deberán ser realizadas por operadores con mucha experiencia, y bajo su propio riesgo. Dentro de un segmento de la cuchilla comprendido entre las posiciones de las 8 y las 11 en punto se puede cortar suave y fácilmente sin apenas riesgos de que se produzcan contragolpes.



Herramientas de corte

Utilice solamente la herramienta de corte correcta para el trabajo que tenga que realizar.

Cuchilla en (Cuchilla en estrella (4 dientes), Cuchilla en remolino (8 dientes))

Para cortar materiales gruesos tales como malas hierbas, hierba alta, matorrales, arbustos, monte bajo, etc. (un máximo de 2 cm de grosor). Haga este trabajo de corte moviendo el desbrozadora uniformemente en semicírculos de izquierda a derecha (como cuando se utiliza una guadaña).

Instrucciones de mantenimiento

- La condición del desbrozadora, en particular la de la cuchilla, la del protector y la de la correa para el hombro, deberá comprobarse antes de empezar el trabajo. Debe ponerse mucha atención a las cuchillas de corte, que deberán estar afiladas correctamente.
- Apague el motor y quite los conectores de las bujías cuando reemplace o afile la cuchilla, y también cuando limpie el desbrozadora o la herramienta de corte.



Nunca enderece ni sude cuchillas estropeadas.

- Respete el medio ambiente. Utilice el desbrozadora de forma que haga tan poco ruido y produzca tan poca contaminación como sea posible. En particular, compruebe si el carburador está bien ajustado.
- Limpie el desbrozadora con regularidad y compruebe si todas los tornillos y tuercas están firmemente apretados.
- Nunca realice trabajos de mantenimiento ni guarde el desbrozadora cerca de llamas, chispas, etc.
- Guarde siempre el desbrozadora con el tanque de combustible vacío en una habitación bien ventilada y cerrada con llave.

Observe y siga todas las instrucciones pertinentes para evitar accidentes emitidas por las asociaciones comerciales y por las compañías de seguros. No haga ninguna modificación en el desbrozadora porque esto pondrá en peligro su seguridad.

Los trabajos de mantenimiento o reparación que pueda realizar el usuario se limitarán a los descritos en este manual de instrucciones. Todos los demás trabajos deberán realizarlos agentes de servicio autorizados.

Utilice solamente piezas de recambio y accesorios genuinos suministrados por MAKITA. La utilización de accesorios y herramientas no aprobados significará un aumento del riesgo de accidentes y heridas. MAKITA no aceptará ninguna responsabilidad por los accidentes o los daños causados al utilizar cualquier accesorio para herramientas de corte no autorizado.

Primeros auxilios

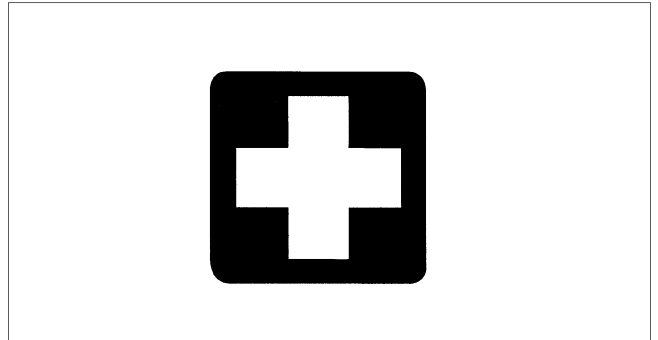
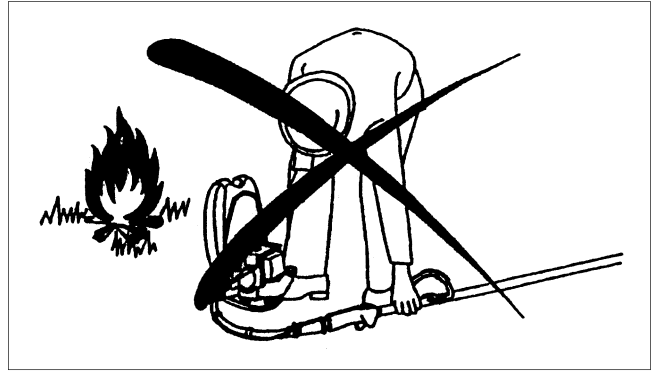
En caso de accidente, asegúrese de tener un botiquín de primeros auxilios bien surtido cerca de donde se realice el trabajo de corte. Reponga inmediatamente cualquier artículo que tome del botiquín de primeros auxilios.

Cuando solicite ayuda, dé la información siguiente:

- Lugar del accidente
- Las causas
- Número de personas heridas
- Alcance de las heridas
- Su nombre

Embalaje

El desbrozadora MAKITA se entrega en dos cajas de cartón de protección para evitar que se estropee durante el transporte. El cartón es una materia prima básica que, por lo tanto, puede volver a utilizarse, y además es muy adecuada para ser reciclada (reciclado de papel).



Declaración de conformidad de la Comunidad Europea (EC)

Tipos: EBH341R

Declaramos bajo nuestra única responsabilidad que este producto está de acuerdo con las normas siguientes de los documentos de normalización ISO14865, ISO14740, EN55012 según indican las Directivas del Consejo 89/392/EEC, 98/37/EEC enmendada, 93/68/EEC, 89/336/EEC y 92/31/EEC enmendada.

Fuerza del sonido medida: 108.4 dB
Fuerza del sonido garantizada: 113.3 dB

Estos niveles de fuerza del sonido fueron medidos de acuerdo con la Directiva del Consejo 2000/14/EC.

Los procedimientos de la evaluación de la conformidad: Anexo V

CE2007



Tomoyasu Kato
Director

Fabricante responsable:

Makita Corporation.

3-11-8, Sumiyoshi-cho, Anjo, Aichi, Japón

Representante autorizado en Europa:

Makita International Europe Ltd.

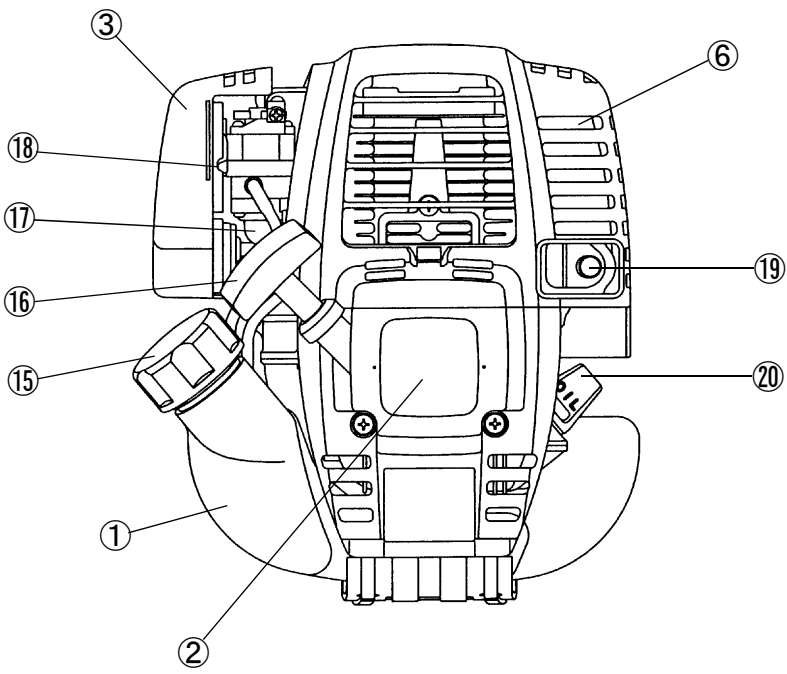
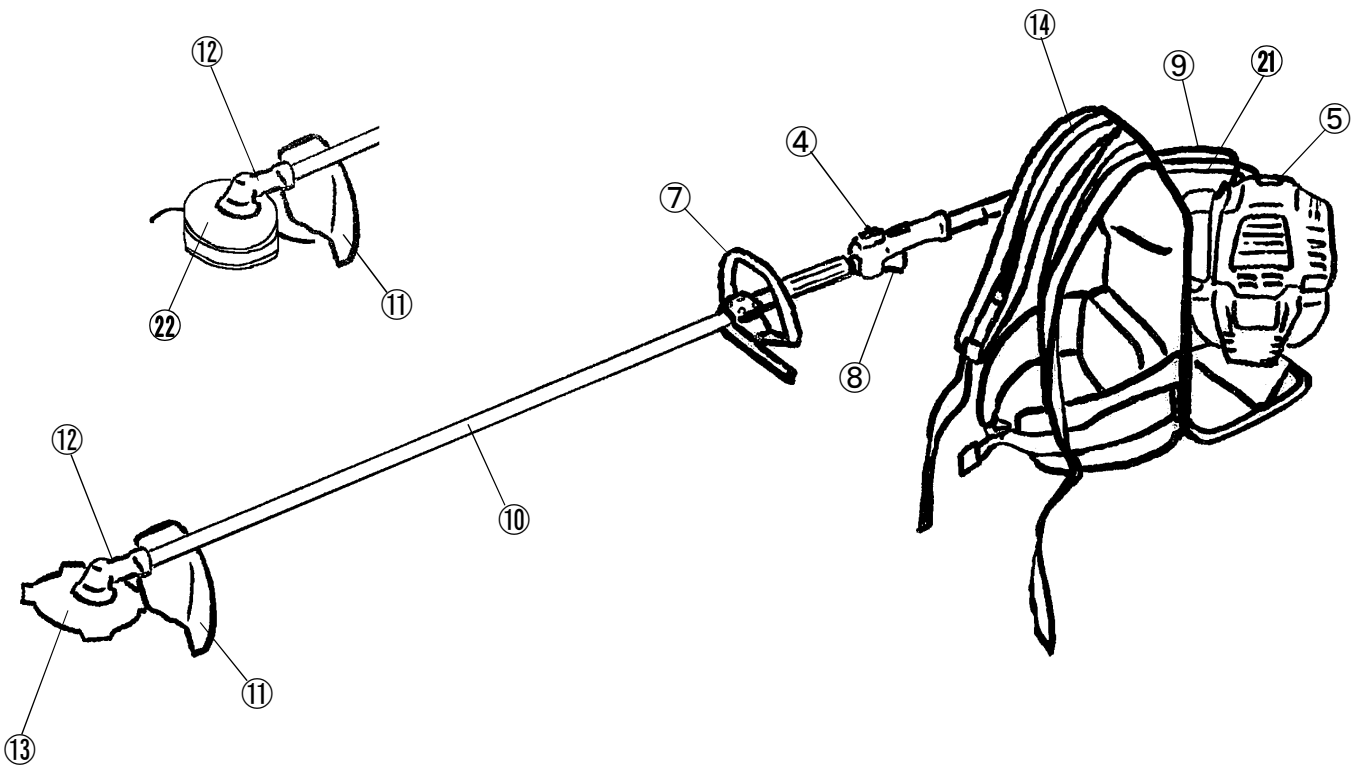
Michigan Drive, Tongwell, Milton Keynes, Bucks MK15 8JD, Inglaterra

DATOS TÉCNICOS

Modelo		EBH341R			
		Manubrio bucle			
		Cuchilla de corte		Cabezal de Nylon	
Dimensiones: largo x ancho x alto (caja del tubo)		mm	430 x 280 x 430		
Peso (sin protector de plástico ni cuchilla de corte)		kg	10.2		
Volumen (tanque de combustible)		L	0.65		
Accesorio de corte (diámetro de la cuchilla de corte)		mm	255		
Cilindrada del motor		cm ³	33.5		
Rendimiento máximo del motor		kw	1.07 a 7000 min ⁻¹		
Velocidad del motor a la velocidad máxima del husillo recomendada		min ⁻¹	10000		
Velocidad máxima del husillo (correspondiente)		min ⁻¹	7500		
Consumo de combustible		kg/h	0.458		
Consumo de combustible especificado		g/kwh	426		
Velocidad de ralenti		min ⁻¹	3000		
Velocidad de acoplamiento del embrague		min ⁻¹	4100		
Carburador (de diafragma)		tipo	WALBRO WYL		
Sistema de encendido		tipo	Encendido de estado sólido		
Bujía		tipo	NGK CMR6A		
Separación entre electrodos		mm	0.7 – 0.8		
Vibración por ISO 7916 ¹⁾	Manubrio derecho (empuñadura trasera)	Ralenti	m/s ²	0.6	0.7
		Embalamiento o mariposa de gases abierta del todo	m/s ²	4.0	5.59
	Manubrio izquierdo (empuñadura delantera)	Ralenti	m/s ²	0.85	0.82
		Embalamiento o mariposa de gases abierta del todo	m/s ²	4.78	8.12
Promedio del nivel de presión acústica a ISO 7917 ¹⁾		dB	89.3	97.1	
Promedio del nivel de sonido a ISO 10884 ¹⁾		dB	104.3	108.4	
Combustible		Gasolina para automóviles			
Aceite del motor		SAE 10W-30 de clasificación API, clase SF o superior (para motores de 4 tiempos de			
Relación de engranajes		15/20			

1) Los datos toman por igual en consideración los modos de ralenti y máxima velocidad o el modo de velocidad con la mariposa de gases abierta del todo.

DESIGNACIÓN DE LAS PIEZAS



F	DENOMINACION DE PARTES
1	Tanque de Combustible
2	Arranque
3	Filtro de Aire
4	I-O Interruptor
5	Bujia
6	Silenciador de Salida
7	Manubrio
8	Palanca de Control
9	Cable de Control
10	Eje
11	Protector
12	Caja de Engranajes/Cabezal
13	Cuchilla de Corte
14	Correa para el hombro
15	Tapón para llenado de combustible
16	Pomo de Arranque
17	Bomba de Cebado
18	Palanca del Estrangulador
19	Tubo de Escape
20	Bayoneta de nivel de aceite
21	Tubo flexible
22	Cabezal de Nylon

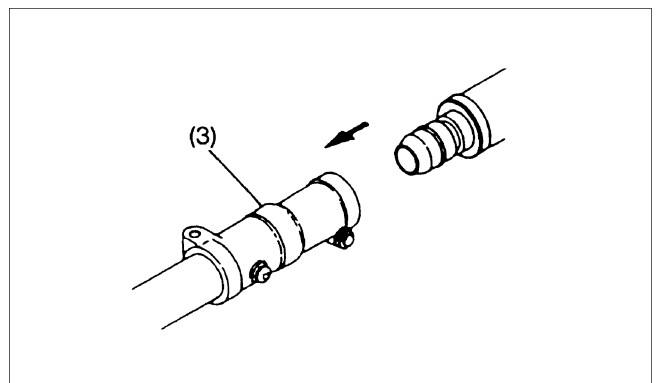
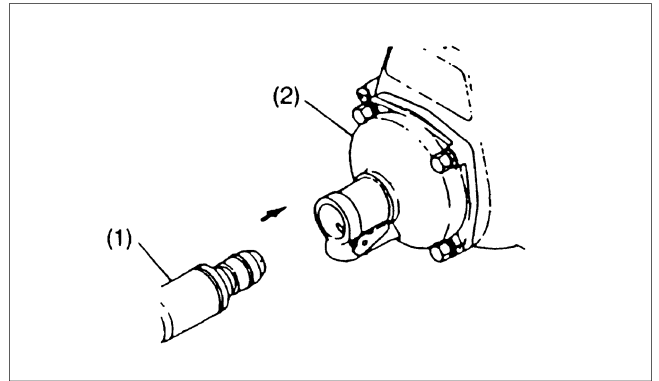
ENSAMBLAJE DEL MOTOR Y DEL EJE CONDUCTOR

PRECAUSION : Antes de efectuar cualquier trabajo en el desbrozadora, apague siempre el motor y desconecte los conectores de las bujías. Tenga cuidado con las partes calientes del motor y los filos de la cuchilla. Póngase siempre guantes de protección.

PRECAUSIÓN : Arranque el desbrozadora sólo después de haberlo ensamblado completamente.

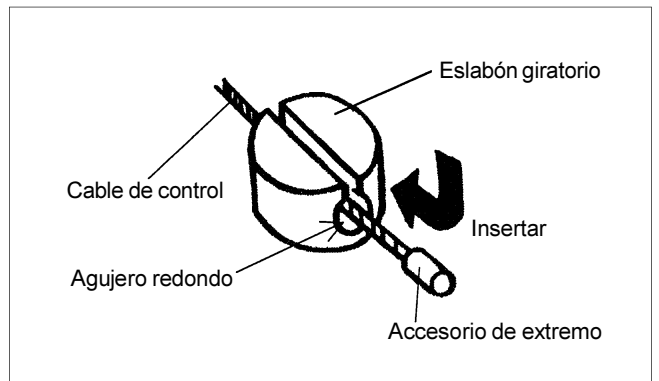
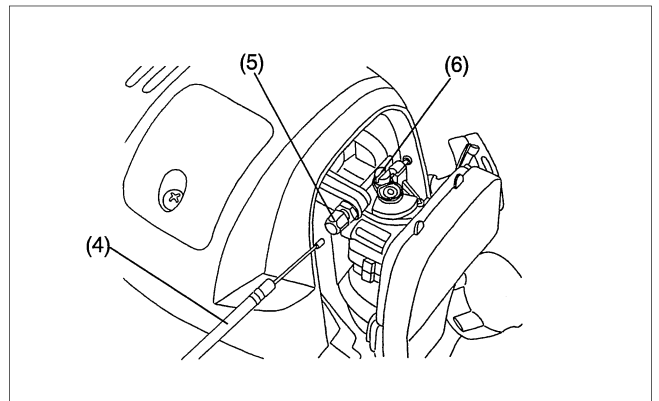
- 1. Juntando lo tubo flexible con el artefacto y la soporta de la carcasa de pipa:**
 Inserte el extremo del tubo flexible (1) en la carcasa del embrague (2) en el motor hasta que lo cierre con el ruido ligero de "clic".
 Inserte el otro extremo del caño flexible en la soporta de caso de tubo (3) de un desbrozadora del cepillo hasta que lo cierre. Cada extremo del tubo flexible es enterrar-cambiable.
 Confirme que un extremo cuadrado de un árbol flexible encaja en la juntura de un árbol de empuje.

Precaución : Si hay dificultad en insertar el tubo flexible apropiadamente el extremo ouadrado no alcanza la unión del eje conductor. No jfuece a empujar para evitar los daños en el extremo del eje flexible. Pepita el mismo procedimiento hasta que el eje flexible y tubo se adapten.



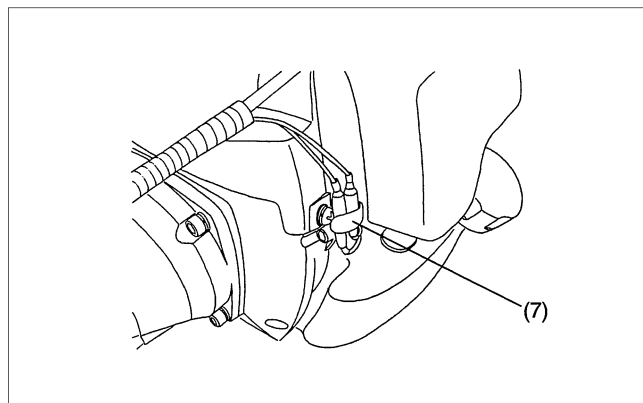
2. COLOCACIÓN DEL CABLE DE CONTROL

- Quitar la cubierta del filtro de aire.
- Colocar el cable de control (4) en el perno de ajuste (5), y mover el eslabón giratorio (6) de modo que el cable sea colocado en el borde del eslabón giratorio. En este momento, el lado agujero redondo del eslabón se dirige hacia el accesorio metálico de extremo del alambre interno.
- Quitar el eslabón giratorio, y asegurarse de que el accesorio metálico de extremo del alambre interno sea colocado en el agujero.
- Colocar la tapa del filtro de aire.



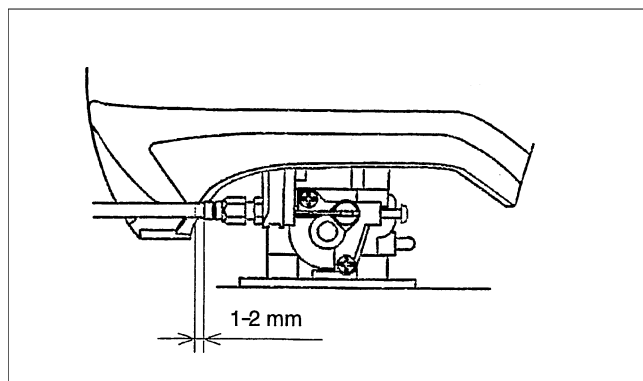
EMPALME DEL CORDÓN DEL INTERRUPTOR

- Empalmar el cordón del interruptor con los dos cordones desde el motor insertando uno en otro.
- Fijar el conector del cordón con grapa (7).

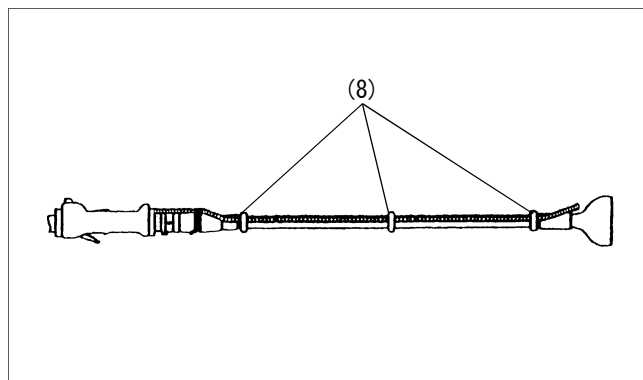


AJUSTE DEL CABLE DE CONTROL

- Ajustar el cable de control con perno de ajuste de modo que el cable de control tenga un juego de 1 a 2 mm si la palanca de control esta a la posición de baja velocidad. (Prestar atención de que la cuchilla de corte no funciona al ralentí.)



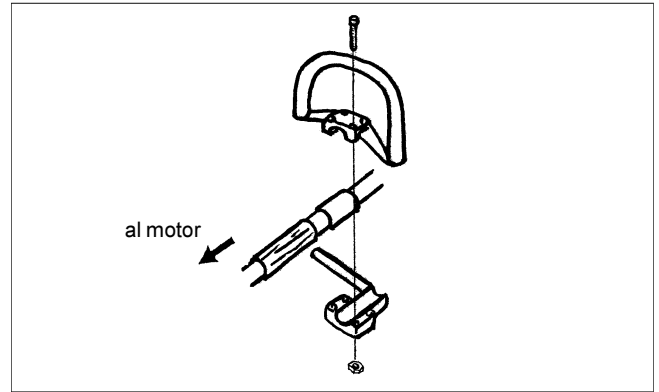
Haga el cable de control y los cables del I-O interruptor avanza el tubo flexible, y fija tres puntos herméticamente en el alambre (8) de la pinza. Si usted no fija el cable de control y I-O interruptor-cordones ciertamente, ellos pueden agarrar en la rama, con el miedo de peligro.



MONTAJE DEL MANUBRIO



- Fije una barrera en el lado izquierdo de la desbrozadora junto con el mango para que el operador mantenga la protección.
- No acier que el manubrio bucle a la empuñadura. Mantenga por lo menos una distancia de 25 cm entre el mango y la empuñadura. (El color diferente es provisto por esa finalidad.)



MONTAJE DEL PROTECTOR



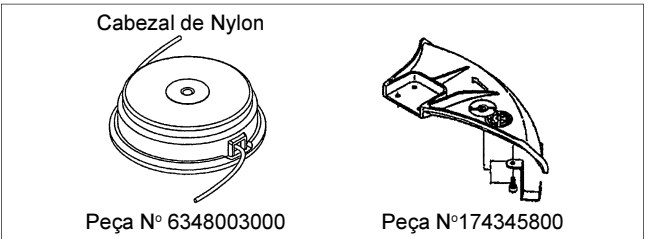
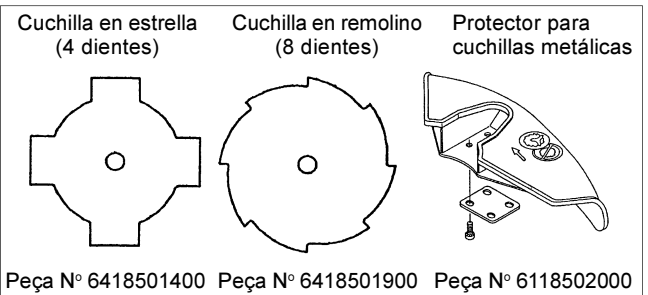
Para cumplir con las normas de seguridad aplicables, sólo deberán utilizarse las combinaciones de herramienta/protector mostradas en las ilustraciones. De lo contrario podrían producirse graves heridas o incluso la muerte del usuario o de personas que estén viendo el trabajo.

Asegúrese de utilizar la cuchilla de corte o cabezal de nylon MAKITA genuina.

- La cuchilla deberá estar bien limpia y afilada, sin grietas ni roturas. Si la cuchilla golpea cualquier objeto duro o piedras durante el funcionamiento, pare el motor y compruebe la cuchilla inmediatamente.
- Limpie y afile o reemplace la cuchilla al menos cada tres horas de funcionamiento.
- El diámetro exterior de la cuchilla no deberá ser superior a 255 mm (10-1/32"). Nunca utilice cuchillas cuyo diámetro exterior sea superior a 255 mm (10-1/32").

PRECAUSIÓN : El protector apropiado deberá estar siempre instalado, para su propia seguridad y para cumplir con las normas de prevención de accidentes. Nunca se deberá intentar poner en funcionamiento el desbrozadora sin estar el protector instalado en su lugar.

- Fije a la caja de engranajes con 4 pernos de instalación. No utilice nunca el desbrozadora sin protector, ni cuando éste se haya roto.



MONTAJE DE LA CUCHILLA DE CORTE O CABEZAL DE CORTE DE NYLON



Dé la vuelta al desbrozadora y podrá reemplazar fácilmente la cuchilla o cabezal de nylon.

Montaje de la cuchilla de corte

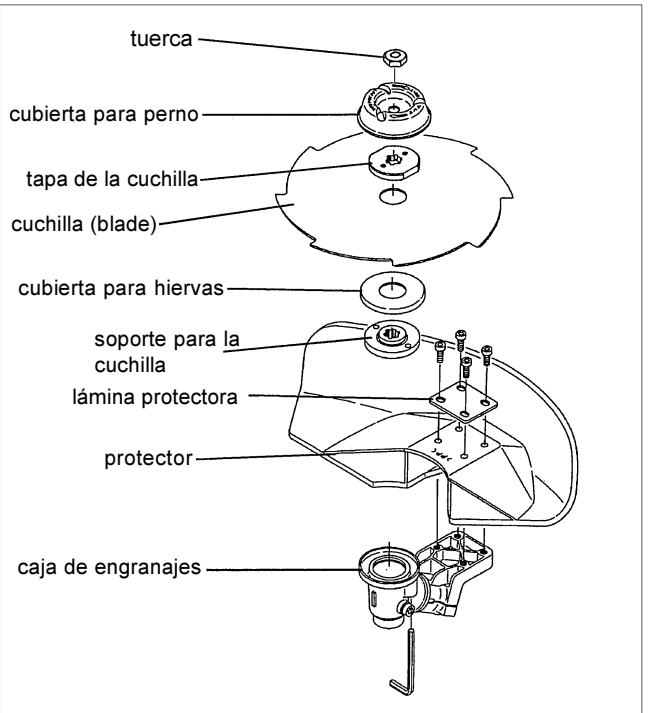
- Equipe una cuchilla y otras pieza ordenadas como se muestra en la ilustración. Introduzca una barra o una llave hexagonal en un agujero de la caja de engranajes hasta que quede fijado y no gire. Apriete la tuerca girando con la llave de combinaciones hacia la izquierda. (Cuidase que la tuerca este apretado o aflojado en la dirección opuesta de la tuerca usual.)
- La tuerca debe estar ajustado cada vez antes de usar.
- Para usar esta desbrozadora, recommendamos los accesorios de corte como se muestra al lado derecho.
- Nunca intente tajar árboles, leños, madera y otros materiales solidos.

[Par de Torsión : 28 - 48 N-m]

NOTA : Siempre utilizar guantes cuando se manipule la cuchilla de corte.

Montaje del cabezal de corte de nylon

- La tapa de la cuchilla, la cubierta para perno y la tuerca no son necesarias para montar el cabezal de corte de nylon. Hay che poner el cabezal de corte de nylon sobre la cubierta para hiervas.
- Insertar la llave hexagonal en el agujero de la caja de engranajes y girar la soporte para la cuchilla hasta que quede fijada en la llave hexagonal.
- Después atornillar el cabezal de corte de nylon sobre el eje lo girando en el sentido contrario al de las agujas del reloj.
- Remover la llave hexagonal.



ANTES DE EMPEZAR EL TRABAJO



INSPECCIÓN Y REABASTECIMIENTO DE ACEITE DE MOTOR

- Haga lo siguiente con el motor frío.
- Manteniendo el motor nivelado, saque la bayoneta de nivel de aceite y confirme que el nivel del aceite está entre las marcas de límite inferior y superior.
Cuando hay poco aceite, de modo que la bayoneta de nivel solamente toca el aceite con su punta, y especialmente cuando la bayoneta está insertada en el carter sin enroscar (Fig. 1), eche aceite por el orificio de reabastecimiento (Fig. 2).
- A título de consulta, el tiempo de reabastecimiento es alrededor de 15 h (frecuencia de reabastecimiento : 15 veces).
- Si ha cambiado el color del aceite o tiene impurezas, cámbielo. (Consulte la página 122 referente al intervalo y al método de reabastecimiento.)

Aceite recomendado: SAE 10W-30 de clasificación API, clase SF o superior (para motores de automóviles de 4 tiempos)

Volumen de aceite: 0.1L aproximadamente.

Nota: Si el motor no es puesto derecho, el aceite puede entrar en todo el motor con reabastecimiento excesivo.
Si el aceite esta reabastecido más del limite, el aceite puede ensuciarse o prender fuego con humo blanco.

Punto 1 de reabastecimiento de aceite: bayoneta de aceite

- Elimine el polvo y la suciedad de los alrededores del orificio de reabastecimiento y saque la bayoneta de nivel de aceite.
- No ensucie la bayoneta de nivel con arena o polvo. Si lo hace, la arena y el polvo que se han adherido a la bayoneta de nivel causarán una circulación irregular del aceite y se desgastarán las piezas del motor, lo que causará problemas de funcionamiento.
- Una manera de conservar la bayoneta limpia es insertarla por su asa en la cubierta del motor (Fig. 3).

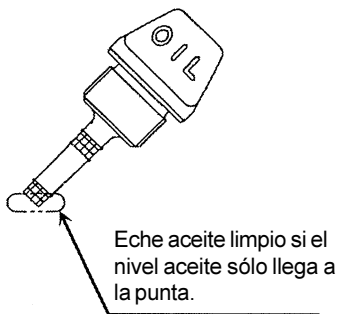


Fig.1

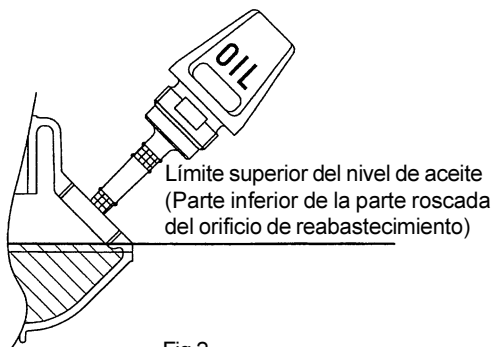


Fig.2

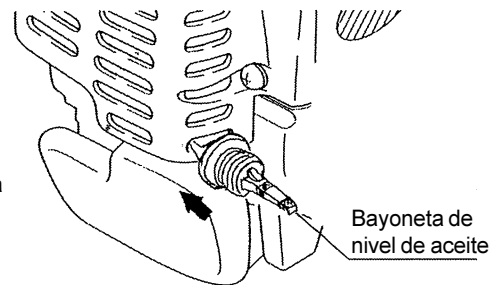
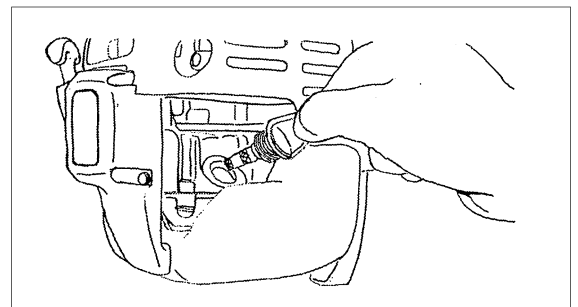
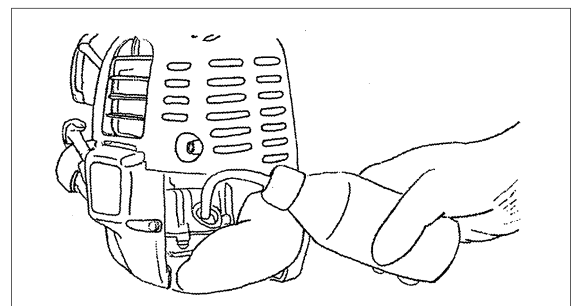


Fig.3

- (1) Coloque el motor en posición nivelada y saque la bayoneta de nivel de aceite.



- (2) Eche aceite hasta el borde del orificio de reabastecimiento. (Consulte la Fig. 2 de la página anterior.)
Suministre el aceite usando la botella de reabastecimiento de lubricante.



- (3) Apriete firmemente la bayoneta de nivel. Un apriete insuficiente puede provocar fugas de aceite.

Punto 2 de reabastecimiento de aceite: Cuando se derrame aceite

- Si el aceite se derrama entre el tanque de combustible y la unidad principal del motor, el aceite será aspirado por el orificio de admisión de aire de refrigeración, y contaminará el motor. Asegúrese de limpiar el aceite que se haya derramado antes de utilizar esta máquina.

REABASTECIMIENTO DE COMBUSTIBLE

Manipulación del combustible

Es necesario manipular el combustible con mucho cuidado. El combustible puede contener sustancias similares a disolventes. El reabastecimiento del combustible debe hacerse en una sala bien ventilada o al aire libre. Nunca inhale el vapor de combustible y no permita que le salpique combustible. Si toca repetidamente el combustible o durante un largo período de tiempo, se le secará la piel y puede producir enfermedades de la piel o alergia. Cuando entre aceite en los ojos, lávese los ojos con agua fresca. Consulte con un médico si se le irritan los ojos.

Período de almacenamiento del combustible

El combustible debe utilizarse dentro de un período de 4 semanas, incluso cuando se almacene en un recipiente especial en un área sombreada y bien ventilada.

Cuando no se utilice un recipiente especial o si éste no está cubierto, el combustible puede deteriorarse en un día.

ALMACENAJE DE LA MÁQUINA Y DEL TANQUE DE REABASTECIMIENTO

- Conservar la máquina y el tanque en lugar fresco libre de luz directa.
- Nunca conservar el combustible en la cabina o el baúl.

Combustible

El motor es de cuatro tiempos. Asegúrese de utilizar gasolina normal o especial para automóviles.

Puntos relacionados con el combustible

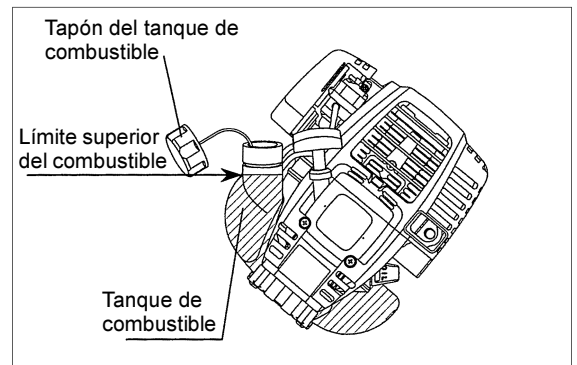
- Nunca use gasolina mezclada con aceite de motor. Si lo hace se producirá una excesiva acumulación de carbonilla u ocurrirán problemas mecánicos.
- El uso de un combustible deteriorado puede producir irregularidades en el arranque.

Reabastecimiento

AVISO: LOS ARTÍCULOS INFLAMABLES ESTÁN ESTRICTAMENTE PROHIBIDOS

Gasolina utilizada: Gasolina para automóviles

- Afloje el tapón del tanque un poco de manera que no haya diferencia con la presión atmosférica.
 - Quite el tapón del tanque y eche combustible al tiempo que descarga el aire inclinando el tanque de combustible, de manera que el orificio de reabastecimiento quede orientado hacia arriba. (Nunca eche combustible hasta que su nivel llegue al orificio de reabastecimiento.)
 - Apriete firmemente el tapón del tanque después del reabastecimiento.
-
- Si hay algún defecto o daño en el tapón del tanque, sustituirlo.
 - El tapón del tanque, que es una pieza de consumo, debe ser renovado cada los dos años.



PUNTOS RELACIONADOS CON EL MANEJO Y LA PARADA

!Observar las normas de prevención de accidentes aplicables.

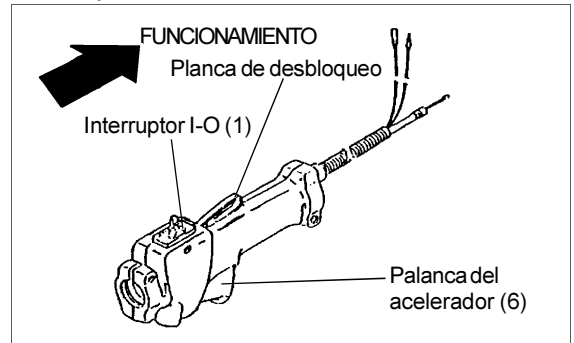


ARRANQUE

Situarse a una distancia mínima de 3 metros del lugar de reabastecimiento. Colocar la desbrozadora en una zona de terreno limpio, tomando cuidado de que la herramienta de corte no entre en contacto con el suelo o cualquier otro objeto.

A: Arranque en frío:

1) Coloque la máquina sobre una superficie plana.



2) Coloque el interruptor I-O (1) en la posición OPERATION.

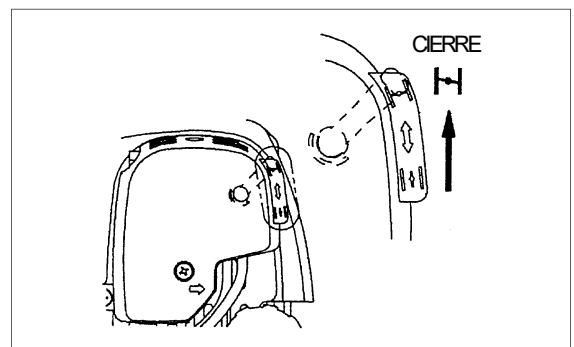
3) Palanca de starter.

Cierre la palanca del starter.

Apertura de starter:

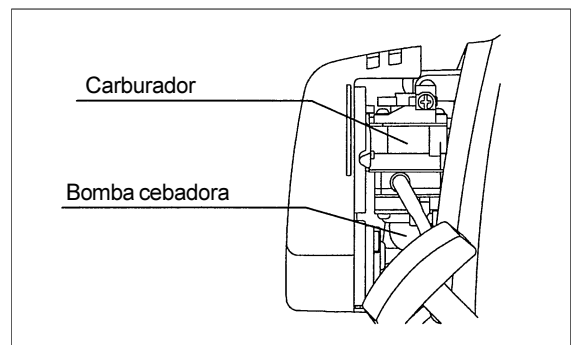
– Cerrada al máximo cuando hace frío o el motor está frío.

– Abierta al máximo o en posición intermedia al arrancar después de haber usado la máquina.



4) Bomba cebadora

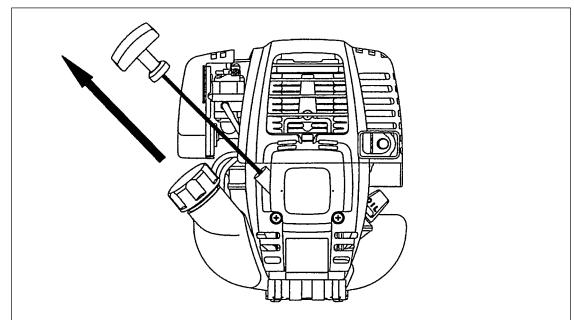
Continúe empujando la bomba cebadora hasta que entre combustible en la misma. (En general, el combustible entra en la bomba cebadora después de empujar de 7 a 10 veces.)



5) Tirador de arranque

– Tire suavemente del asa de arranque hasta que se sienta una resistencia (punto de compresión). Luego, retorne el tirador de arranque y tire con fuerza.

– Nunca tire hasta el límite del cordón. Cuando se tire del tirador de arranque, no la suelte inmediatamente. Sujete el tirador de arranque hasta que vuelva a su posición original.

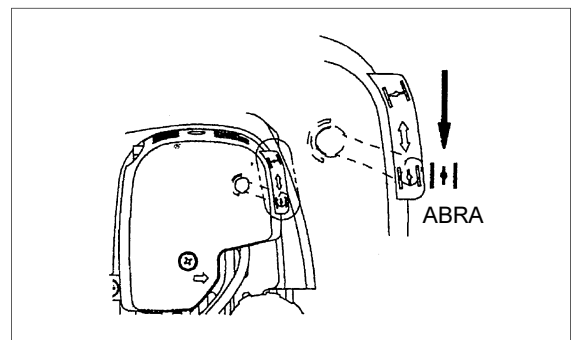


6) Palanca de estrangulación

Abra la palanca de estrangulación después de que el motor haya arrancado.

– Abra la palanca de estrangulación progresivamente al tiempo que comprueba el funcionamiento del motor. Asegúrese de abrir la palanca de estrangulación plenamente al final.

– En tiempo frío o cuando el motor está frío, nunca abra súbitamente la palanca de estrangulación. De hacerlo, el motor puede pararse.



7) Calentamiento

Deje que el motor se caliente durante 2 ó 3 minutos.

Note: – Si tira repetidamente del tirador de arranque cuando la palanca del estrangulador del aire se encuentra en la posición "CLOSE", notará como la puesta en marcha de la máquina se hace con dificultad, debido a que está entrando demasiado combustible.
 – En caso de entrada excesiva de combustible, desmonte la bujía de encendido y elimine el combustible sobrante. Así mismo, seque el electrodo de la bujía de encendido.

Precauciones durante la operación:

Si la palanca de la mariposa de gases se abre completamente en operación sin carga, la rotación del motor se elevará a 10.000 rpm o más. Nunca utilice el motor a una velocidad más alta que la requerida y mantenerse a una velocidad aproximada de 6000-8000 rpm.

B: Arrancar después de la operación de calentamiento

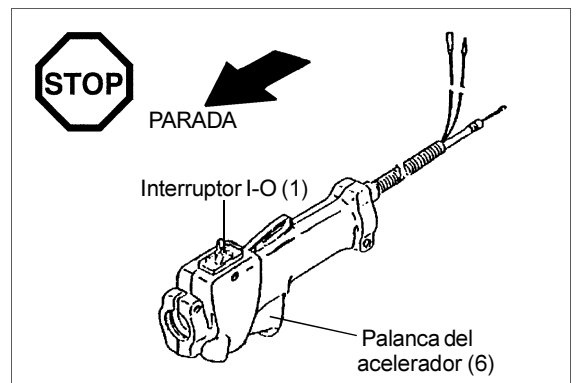
- 1) Presione la bomba cebadora repetidamente.
- 2) Mantenga la palanca de control en la posición de marcha en vacío.
- 3) Tire del tirador con fuerza.
- 4) Si fuera difícil arrancar el motor, abra el acelerador 1/3 aproximadamente. Preste atención a la cuchilla de corte, porque puede girar.

Cuidado

Si el motor se maneja al revés, puede salir humo blanco por el escape.

Paro

- 1) Soltar la palanca de control completamente y cuando las revoluciones del motor descendan. Coloque el interruptor I-O en la posición STOP. El motor parará.
- 2) Tome nota de que el cabezal de corte no parará inmediatamente sino que lo hará de forma lenta y progresiva.

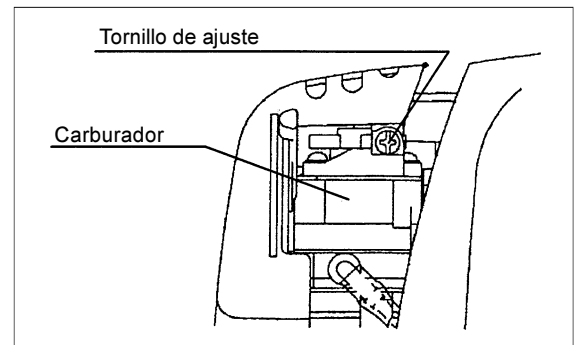


AJUSTE DEL GIRO A BAJA VELOCIDAD (RALENTÍ)

Cuando sea necesario ajustar el giro a baja velocidad (ralentí), use el tornillo de ajuste del carburador.

COMPROBACIÓN DEL GIRO A BAJA VELOCIDAD

- Ajuste el giro a baja velocidad a 3.000 rpm.
- Si fuera necesario cambiar la velocidad de giro, regule el tornillo de ajuste (en la figura de la derecha) usando un destornillador Philips.
- Gire el tornillo de ajuste a la derecha para aumentar la velocidad del motor. Gírelo a la izquierda para disminuir la velocidad.
- El carburador está ajustado antes del envío. Si fuera necesario reajustarlo, póngase en contacto con un Agente de Servicio Autorizado.

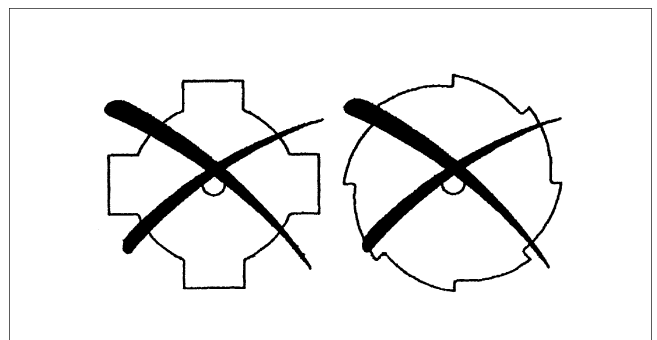


AFILADO DE LA CUCHILA

PRECAUSIÓN: Las cuchillas mecionadas más abajo deberán ser afiladas solamente en un centro autorizado. El afilado manual causará desequilibrios en la herramienta de corte que causarán vibraciones y estropearán el equipo.

- Cuchilla de corte (Cuchilla en estrella, Cuchilla en remolino).
- El agente de servicio autorizado suministrará un servicio experto de afilado y balanceo de las cuchillas.

NOTA: Para aumentar la duración de la cuchilla de corte (cuchilla en estrella y cuchilla de remolino) déla la vuelta y utilícela así hasta que ambos filos queden romos. No continúe utilizando un cuchilla roma porque podrán producirse contragolpes o heridas serias.





PRECAUCIÓN: Antes de realizar cualquier trabajo con la desbrozadora, siempre apagar el motor y sacar la tapa de la bujía (ver "comprobación de la bujía").

Siempre usar guantes protectores.

Para asegurar una larga vida y evitar cualquier daño al equipo, las siguientes instrucciones de servicio deben realizarse a intervalos regulares:

Comprobación y mantenimiento diarios

- Antes de trabajar, comprobar que no hay tornillos sueltos o que faltan piezas. Particularmente, revisar que la cuchilla o cabezal de Nylon están bien sujetas.
- Antes de trabajar, siempre comprobar que el paso de aire refrigerante y las aletas de los cilindros no están obturadas. Limpiarlos si es necesario.
- Realizar el siguiente trabajo diariamente después del uso:
 - Limpiar la desbrozadora externamente y revisar si hay daños.
 - Limpiar el filtro de aire. Cuando se trabaje en condiciones de mucho polvo, limpiar el filtro varias veces al día.
 - Comprobar que la cuchilla o el cabezal de Nylon no están dañados y comprobar que estén bien montados.
 - Comprobar que hay una diferencia suficiente entre la velocidad en vacío y de funcionamiento para asegurar que la herramienta de corte permanece quieta cuando el motor marcha en vacío. Si es necesario reducir la velocidad en vacío. Si en velocidad inferior a la marcha en vacío la cuchilla sigue girando, consulte con su Agente de Servicio Autorizado.
- Comprobar el funcionamiento del interruptor I-O la palanca de cierre, la palanca de la mariposa de gases y el botón de cierre.

CAMBIO DEL ACEITE DEL MOTOR

El aceite del motor que se ha deteriorado acortará sustancialmente la duración de las piezas deslizantes y giratorias. Asegúrese de comprobar el período de recambio y la calidad del aceite.



ATENCIÓN : En general, el motor y el aceite siguen calientes después de pararse el motor. Cuando cambie el aceite, confirme que el motor y el aceite se han enfriado. Si no lo hace puede quemarse.

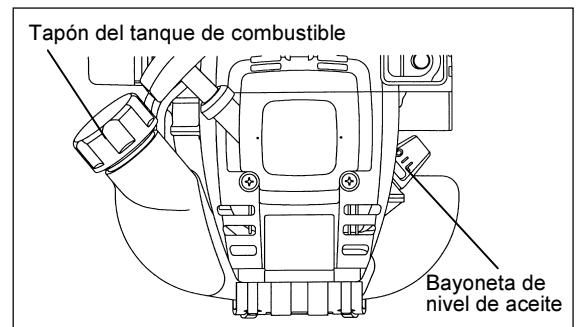
Nota : Si el aceite es suministrado más del límite, puede ensuciarse o puede prender fuego con humo blanco.

Intervalo de recambio: Inicialmente, cada 20 horas de funcionamiento y posteriormente cada 50 horas de funcionamiento.

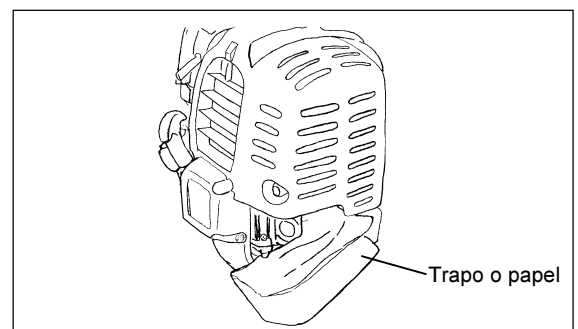
Aceite recomendado: SAE 10W-30 de clasificación API, clase SF o superior (para motores de automóviles de 4 tiempos)

Haga lo siguiente durante el recambio del aceite.

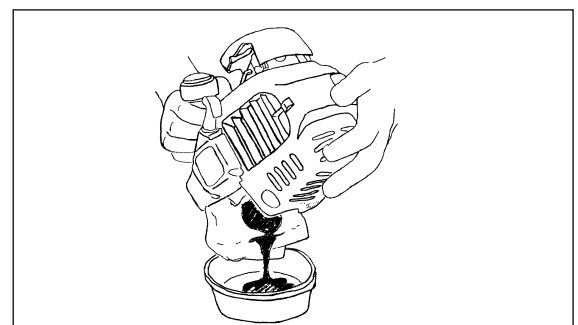
- 1) Confirme que el tapón del tanque está apretado firmemente.
- 2) Saque la bayoneta de nivel.
No manche la bayoneta con suciedad o polvo.



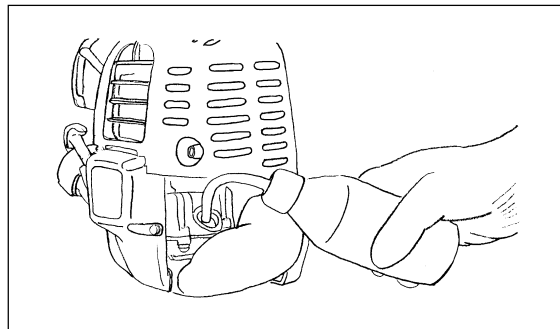
- 3) Coloque un trapo o papel cerca del orificio de reabastecimiento del aceite.



- 4) Saque la bayoneta de nivel y drene el aceite inclinando la unidad principal hacia el orificio de reabastecimiento de aceite. Drene el aceite en un recipiente.



- 5) Coloque el motor en posición nivelado y eche el aceite nuevo hasta que su nivel llegue al borde del orificio de reabastecimiento. Durante esta operación, utilice una botella de reabastecimiento de lubricante.
- 6) Después de echar el aceite, apriete firmemente la bayoneta de nivel. Un apriete insuficiente de la bayoneta puede causar fugas de aceite.



PUNTOS RELACIONADOS CON EL ACEITE

- Nunca tire el aceite de motor usado a la basura, sobre la tierra o a un canal de aguas residuales. El desecho del aceite del motor está regulado por la ley. Siga siempre las leyes y regulaciones pertinentes cuando lo deseché. Para una información más detallada, póngase en contacto con un Agente de Servicio Autorizado.
- El aceite se deteriora aunque no se use. Realice inspecciones y cambie el aceite regularmente (cambie el aceite cada 6 meses).

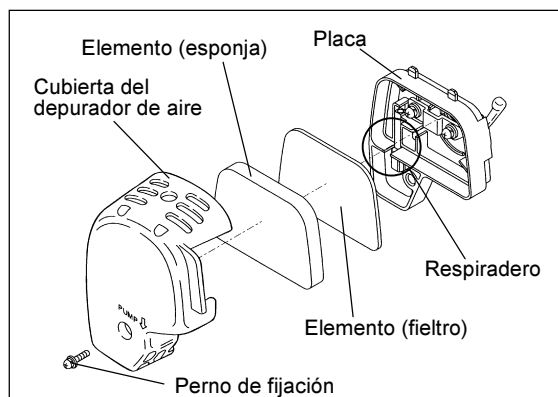
LIMPIEZA DEL DEPURADOR DE AIRE



PELIGRO: LOS MATERIALES INFLAMABLES ESTÁN EstrictAMENTE PROHIBIDOS

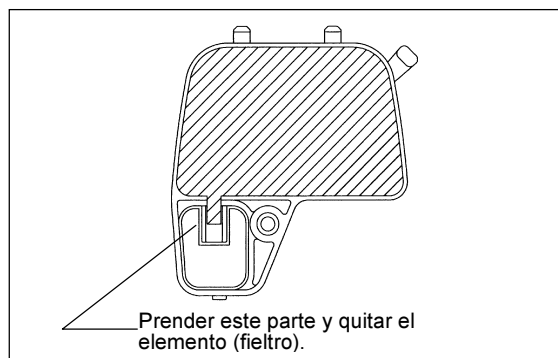
Intervalo de limpieza e inspección: diariamente (cada 10 horas de funcionamiento)

- Gire la palanca de estrangulación a la posición de cierre total y no permita que entre polvo o suciedad en el carburador.
- Quite los pernos de fijación de la cubierta del depurador de aire.
- Tire del lado inferior de la cubierta y suéltela.
- Si el aceite se adhiere al elemento (esponja), spremelo fuertemente.
- Para contaminación fuerte :
 - 1) Quitar el elemento (esponja), sumergirlo en el agua templada o en el detergente neutro diluido en agua, y secarlo completamente.
 - 2) Limpiar el elemento (fieltro) con gasolina, y secarlo completamente.
- Antes de colocar el elemento, secarlo completamente. Si el elemento no se seca completamente, el motor no puede arrancar sin contratiempo.
- Secar con tejido usado el aceite adherente en la tapa del filtro de aire y el respiradero de placa.
- Inmediatamente después de terminar la limpieza, instale la cubierta del depurador y apriétela con los pernos de fijación (coloque primero la garra superior y luego la inferior).



Manipulación del elemento del filtro de aire

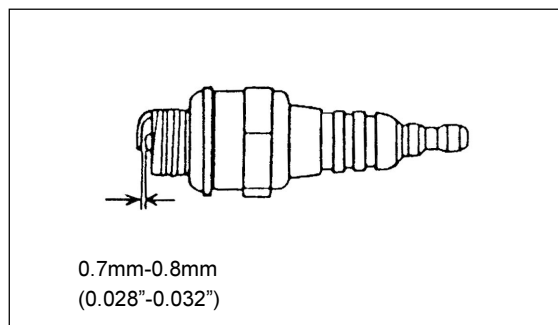
- Limpiar el elemento varios veces a diario si hay polvos adherentes en exceso.
- Si la marcha continua con el elemento adherente del aceite, el aceite en el filtro de aire puede caerse fuera, provocando contaminación del aceite.



COMPROBACIÓN DE LA BUJÍA

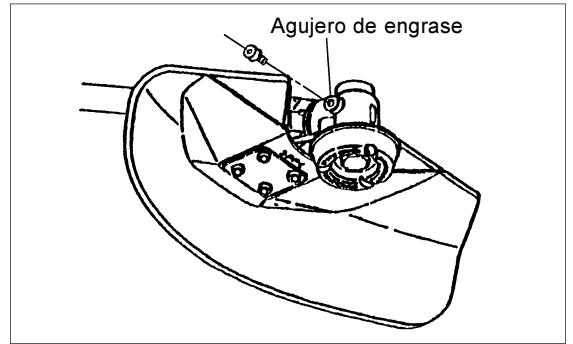
- Utilizar solo la llave universal suministrada para quitar o instalar la bujía.
- La separación entre ambos electrodos de la bujía debe ser de 0.7 - 0.8mm (0.028" - 0.032"). Si la separación es mayor o menor, ajustarla. Si la bujía está obturada con carbonilla o sucia, limpiarla completamente o cambiarla.

PRECAUCIÓN: Nunca tocar el conector de la bujía mientras el motor funciona.
(Riesgo de alto voltaje).



SUMINISTRO DE GRASA A LA CAJA DE ENGRANAJES

- Suministrar grasa (Shell Alvania No. 2 o equivalente) a la caja de engranajes a través del agujero cada 30 horas. (Puede comprar grasa genuina MAKITA a su distribuidor MAKITA).



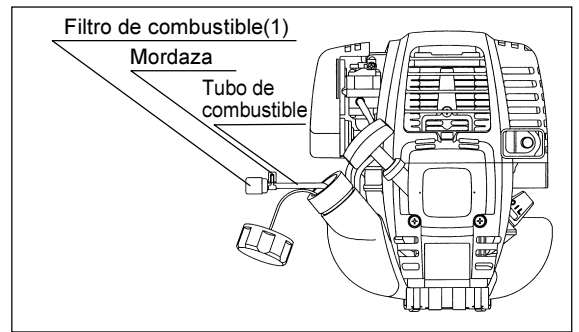
LIMPIEZA DEL FILTRO DE COMBUSTIBLE

ADVERTENCIA: LOS ARTÍCULOS INFLAMABLES ESTÁN EstrictAMENTE PROHIBIDOS

Intervalo de limpieza e inspección: mensualmente (cada 50 horas de funcionamiento)

Cabezal de succión en el tanque de combustible

- El filtro de combustible (1) del cabezal de succión se utiliza para filtrar el combustible requerido por el carburador.
- Debe realizarse una inspección visual periódica de este filtro. Para ese propósito, saque la tapa del tanque y con un alambre en forma de gancho saque el cabezal a través del agujero del tanque. Los filtros que se hayan endurecido, ensuciado u obturado deben sustituirse.
- El suministro insuficiente de combustible puede provocar que se supere la máxima velocidad admisible. Por lo tanto, es importante cambiar este filtro por lo menos cada trimestre para asegurar un suministro satisfactorio de combustible al carburador.



CAMBIO DEL TUBO DE COMBUSTIBLE

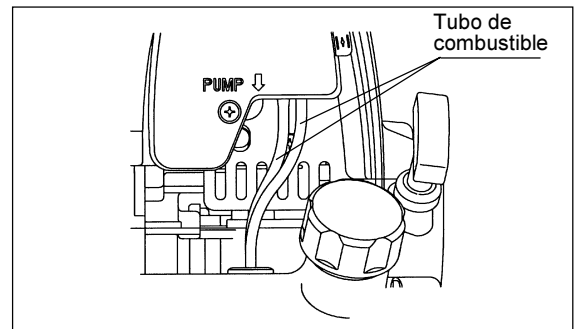
PRECAUCIÓN: LOS ARTÍCULOS INFLAMABLES ESTÁN EstrictAMENTE PROHIBIDOS

Intervalo de limpieza e inspección: diariamente (cada 10 horas de funcionamiento)

Recambio: anualmente (cada 200 horas de funcionamiento)

Cambie la tubería de combustible anualmente, con independencia de la frecuencia de uso de la máquina. Las fugas de combustible pueden causar incendios.

Si se detectan fugas durante la inspección, cambie inmediatamente el tubo.



INSPECCIÓN DE PERNOS, TUERCAS Y TORNILLOS

- Reapriete los pernos, tuercas, etc. que estén flojos.
- Compruebe si hay fugas de combustible o aceite.
- En aras de la seguridad de manejo, cambie las piezas dañadas por nuevas.

LIMPIEZA DE PIEZAS

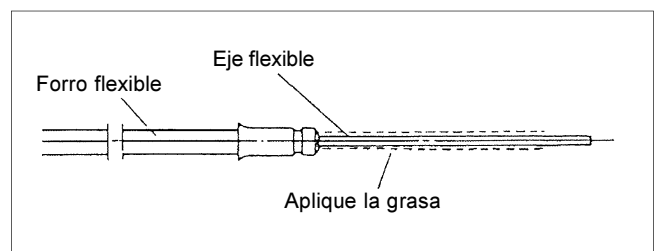
- Conserve el motor siempre limpio.
- Mantenga las aletas del cilindro siempre limpias de polvo o suciedad. El polvo y la suciedad adherida a estas aletas causarán el agarrotamiento del motor.

CAMBIO DE JUNTAS Y RETENES

Al montar el motor después de haberlo desmontado, asegúrese de cambiar las juntas y los retenes.

LA PROVISIÓN DE GRASA AL EJE FLEXIBLE

- Tire del eje flexible del forro flexible durante cada 20 horas, y aplique la grasa en el eje flexible.
- El eje del flexible puede fracturarse si ninguna grasa es aplicada.



Cualquier trabajo de mantenimiento ajuste que no esté incluido ni se describa en este manual deberá realizarlo solamente el agente de servicio autorizado.

ALMACENAMIENTO



ADVERTIMIENTO: Durante descarga del combustible, es necesario parar el motor y asegurarse de que el motor se haga frío completamente.

Justamente después de parar el motor, puede quedarse caliente aún provocando quemaduras, inflamación o incendio.



NOTA: Cuando la máquina es puesta fuera de marcha a largo tiempo, descargar todo el combustible del tanque de combustible, y conservarlo en un lugar seco y limpio.

– Descargar completamente el combustible del tanque de combustible y del carburador según el procedimiento siguiente :

- 1) Quitar la tapa del tanque de combustible, y descargar el combustible completamente.
Si haya algún material extranjero en el tanque de combustible, quitarlo completamente.
- 2) Sacar el filtro del combustible desde el orificio de reabastecimiento usando el alambre.
- 3) Secar la bomba cebadora hasta que el combustible sea descargado de allí, y descargar el combustible entrante en el tanque de combustible.
- 4) Ajustar el filtro en el tanque de aceite y apretar firmemente la tapa del tanque de combustible.
- 5) Entonces, continuar haciendo marchar el motor hasta que el motor se pare.

– Quitar la bujía, y hacer caer de gotas de aceite para motor a través del agujero de la bujía.

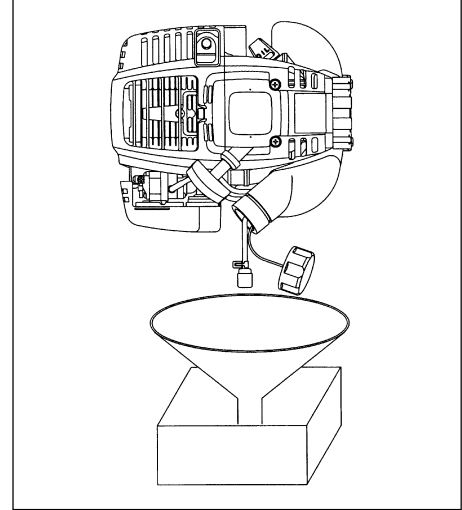
– Tirar tranquilamente el manillar del motor de arranque de modo que el aceite del motor extienda en el motor, y colocar la bujía.

– Colocar la tapa en la cuchilla.

– Durante el almacenamiento, tener la barra horizontal o conservar la máquina derecha con el borde de la cuchilla dirigiéndose hacia arriba. (En este caso, prestar mucha atención a evitar la máquina que haga caída.)

– Nunca conservar la máquina con cuchilla lama dirigiéndose hacia abajo. El aceite lubricante puede derramarse.

– Conservar el aceite descargado en el recipiente especial a la sombra bien ventilada.



Atención después de almacenamiento de largo tiempo

- Antes de puesta en marcha después de parada de larga tiempo, sustituir el aceite (ver P 122). El aceite puede deteriorarse cuando la máquina es fuera de marcha.

Localización de averías

Avería	Sistema	Observaciones	Causas
El motor no arranca o lo hace con dificultades	Encendido	Hay chispa de encendido	Fallo en suministro de combustible o sistema de compresión Defecto mecánico
		No hay chispa	Interruptor STOP conectado, fallo del cableado o cortocircuito, bujía o conector defectuosos, fallo en el módulo de encendido
	Suministro de combustible	Tanque lleno	Posición incorrecta del estrangulador, carburador defectuoso, cabezal de succión sucio, línea de suministro de combustible doblada o interrumpida
	Compresión	Interior del motor	La junta interior del cilindro es defectuosa, los retenes del cigüeñal están dañados, el cilindro o los segmentos del pistón están dañados
Problemas de arranque en caliente	Fallo mecánico	El arrancador no funciona	El muelle del arrancador está roto. Partes rotas en el interior del motor
	Suministro de combustible	Tanque lleno hay chispa de encendido	Carburador contaminado, hay que limpiarlo
El motor arranca y se para inmediatamente		Suministro de combustible	Tanque lleno
			La ventilación del tanque falla, la línea de suministro de combustible está interrumpida. El interruptor o el cable STOP fallan.
Rendimiento pobre	Varios Sistemas pueden verse afectados	Motor en vacío	Filtro de aire contaminado, carburador contaminado, silenciador obturado, conducto de salida en el cilindro obturado

Item	Tiempo de funcionamiento	Antes del manejo	Después del manejo	Diaria-mente	30 horas	50 horas	200 horas	Parada/reposo	Pág. Correspondiente
Aceite del motor	Inspección/limpieza	○							118
	Cambio					○*1			122
Piezas de apriete (pernos, tuercas)	Inspección	○							124
Tanque de combustible	Limpieza/inspección	○							—
	Drenaje del combustible							○*3	125
Palanca del acelerador	Comprobación del funcionamiento		○						120
Interruptor de parada	Comprobación del funcionamiento		○						120
Cuchilla de corte	Inspección	○		○					117
Giro a baja velocidad	Inspección/ajuste			○					121
Depurador de aire	Limpieza			○					123
Bujía	Inspección			○					123
Conducto de aire de refrigeración	Limpieza/inspección			○					124
Tubo de combustible	Inspección			○					124
	Cambio						⊙*2		—
Grasa de la caja de engranaje	Reabastecimiento				○				124
Filtro de combustible	Limpieza/cambio					○			124
Holgura entre la válvula de admisión de aire y la válvula de descarga de aire	Ajuste						⊙*2		—
Tubo de aceite	Inspeccionar						⊙*2		
Reacondicionamiento del motor							⊙*2		—
Carburador	Drenaje del combustible							○*3	125

*1 Haga el cambio inicial después de 20 horas de funcionamiento.

*2 Encargue la inspección de las 200 horas de funcionamiento a un Agente o Taller de Servicio Autorizado.

*3 Después de vaciar el tanque de combustible, deje el motor en funcionamiento y drene el combustible en el carburador.

II INVESTIGACIÓN DE AVERÍAS

Antes de solicitar reparaciones; compruebe el problema usted mismo. Si se encuentra una anomalía, controle la máquina de acuerdo con la descripción de este manual. Nunca manipule ni desmonte piezas no relacionadas con la descripción. Para reparaciones, póngase en contacto con el Agente de Servicio Autorizado o concesionario local.

Estado de la anomalía	Causa probable (avería)	Remedio
El motor no arranca	No funciona la bomba cebadora	Empuje 7 a 10 veces
	Tirador de arranque agarrotado o duro	Tire con fuerza
	Falta combustible	Eche combustible
	Filtro de combustible atascado	Límpielo
	Tubo de combustible roto	Cámbielo
	Combustible deteriorado	El combustible deteriorado dificulta el arranque. Cambie el combustible por nuevo (cambio recomendado: 1 mes).
	Excesivo consumo de combustible	Coloque la palanca del acelerador entre velocidad media y alta y tire del asa de arranque de modo que el motor se ponga en marcha. Después de ello, la cuchilla de corte empieza a girar. Preste mucha atención a la cuchilla de corte. Si el motor no arrancase, saque la bujía; seque el electrodo y vuelva a colocarla en su posición original. Vuelva a intentar arrancar.
	Caperuza de bujía suelta	Instálela firmemente.
	Bujía sucia	Límpielo
	Distancia anormal del electrodo de la bujía	Cambíela o ajuste la bujía.
	Otras anomalías de la bujía	Cambie
	Carburador anormal	Solicite la inspección y mantenimiento
	No puede tirarse del cordón de arranque	Solicite la inspección y mantenimiento
	Sistema de transmisión anormal	Solicite la inspección y mantenimiento
El motor se para pronto No aumenta la velocidad del motor	Calentamiento insuficiente	Efectúe el calentamiento
	La palanca de estrangulación está en la posición CLOSE aunque el motor está caliente	Colóquela en OPEN
	Filtro de combustible atascado	Límpielo
	Depurador de aire sucio o atascado	Límpielo
	Carburador anormal	Solicite la inspección y mantenimiento
	Sistema de transmisión anormal	Solicite la inspección y mantenimiento
No gira la cuchilla de corte ↓ Pare el motor inmediatamente	Tuerca de apriete de la cuchilla de corte floja	Apriete firmemente
	Ramas atrapadas en la cuchilla de corte o cubierta de prevención de la dispersión	Elimine las materias extrañas
	Sistema de transmisión anormal	Solicite la inspección y mantenimiento
La unidad principal vibra anormalmente ↓ Pare el motor inmediatamente	Cuchilla de corte rota, doblada o desgastada	Cambie la cuchilla de corte
	Tuerca de apriete de la cuchilla de corte floja	Apriete firmemente
	La parte convexa de la cuchilla de corte y el apoyo de la cuchilla se han desplazado	Instale correctamente
	Sistema de transmisión anormal	Solicite la inspección y mantenimiento.
La cuchilla de corte no se para inmediatamente ↓ Pare el motor inmediatamente	Giro a ralenti alto	Ajuste
	Se ha soltado el cable del acelerador	Instale correctamente
	Sistema de transmisión anormal	Solicite la inspección y mantenimiento
El motor no se para ↓ Déjelo funcionando en ralenti y coloque la palanca de estrangulación en CLOSE	Conector suelto	Instale firmemente
	Sistema eléctrico anormal	Solicite la inspección y mantenimiento

Cuando el motor no arranca después de la operación de calentamiento.

Si no se encuentran anomalías en los puntos comprobados, abra el acelerador 1/3 y arranque el motor.

Muito obrigado por ter escolhido o Cortador de grama tipo mochila MAKITA. Estamos muito satisfeitos de poder lhe oferecer o Cortador de grama tipo mochila MAKITA que é o resultado de um longo programa de desenvolvimento e de muitos anos de conhecimento e experiência.

Por favor leia, entenda e siga este folheto o qual refere-se em detalhes aos vários pontos que demonstrarão o excepcional rendimento da máquina. Isso lhe ajudará a obter com segurança os melhores resultados possíveis do seu Cortador de grama tipo mochila MAKITA.



Índice	Página
Símbolos	128
Instruções de segurança	129-132
Dados técnicos	134
Designação das partes	135
Montagem do motor e do eixo propulsor	136-137
Montagem do guidom	138
Montagem do protetor	138
Montagem da lâmina de corte	138
Antes de arrancar o motor	139-140
Pontos relacionados com o funcionamento e com a parada da máquina	141-142
Afição da ferramenta de corte	142
Instruções para a revisão	143-145
Armazenagem	146-147
Verificação de problemas	148

SÍMBOLOS

É muito importante o entendimento dos seguintes símbolos ao ler este manual:

	Leia, entenda e siga o manual de instruções.		Use capacete de proteção, bem como proteção para olhos e ouvidos
	CUIDADO/PERIGO		Velocidade máxima permitida da ferramenta.
	Proibido		Combustível(gasolina)
	Mantenha distância		Arranque manual do motor.
	Perigo de objetos voadores.		Parada de emergência.
	Não fumar.		Primeiros socorros.
	Não acender fogo		Reciclável.
	Deve utilizar-se luvas de proteção		ON/START
	Contragolpe		OFF/STOP
	Mantenha a área de trabalho sem a presença de outras pessoas bem como a de animais.		Marca-CE

INSTRUÇÕES DE SEGURANÇA

Instruções gerais

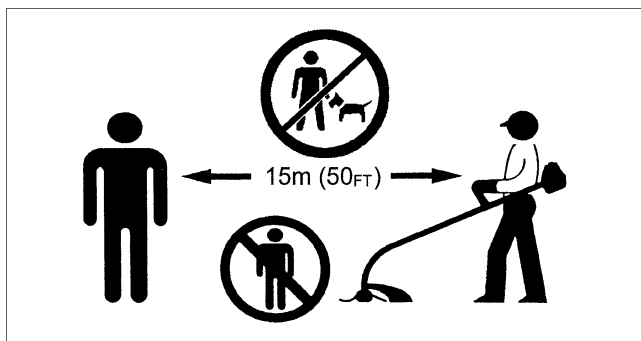
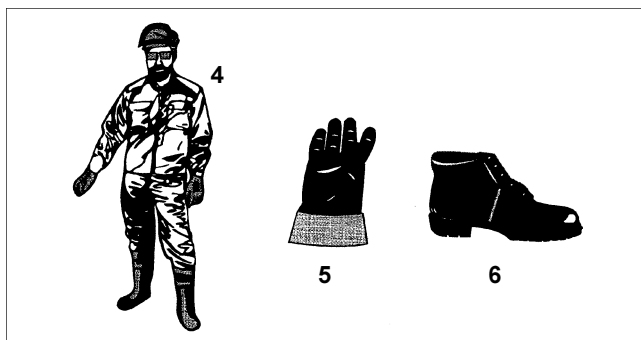
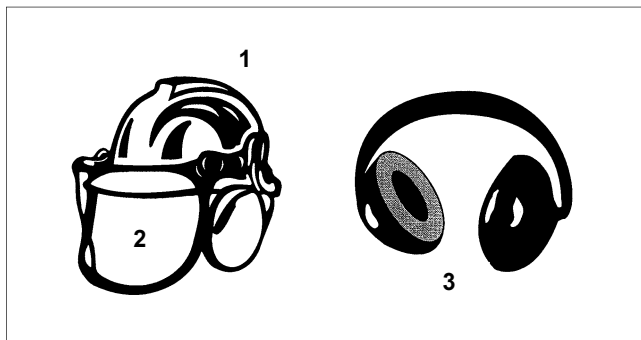
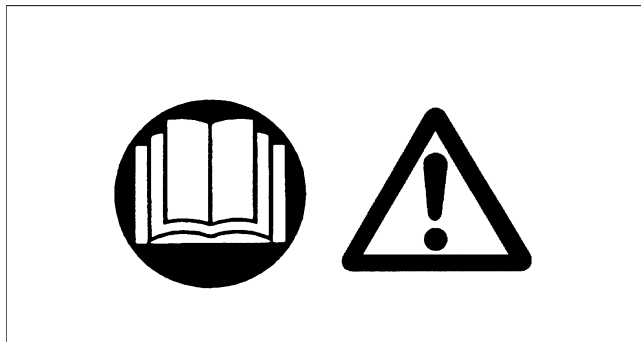
- Para assegurar o correto funcionamento da máquina, o usuário deve ler, entender e seguir este manual de instruções a fim de familiarizar-se com o manejo do Cortador de Grama. O usuário sem informação suficiente, através do uso inadequado da máquina, porá em risco a sua própria segurança assim como a de terceiros.
- Somente é recomendado o empréstimo do Cortador de Grama a aquelas pessoas que possuam experiência comprovada com o mesmo.
Sempre passe-o adiante acompanhado do manual de instruções.
- Utilize o Cortador de Grama com cuidado e atenção máximos.
- Aqueles que utilizam-se da máquina pela primeira vez devem solicitar instruções básicas ao concessionário a fim de familiarizarem-se com o manejo da mesma.
- Não deve ser permitido o uso da máquina por crianças ou por pessoas menores de 18 anos. Contudo pessoas com mais de 16 anos poderão usar a máquina para fins de treinamento desde que supervisionadas por um treinador qualificado.
- Utilize o Cortador de Grama com cuidado e atenção máximos.
- Opere o Cortador de Grama somente se você estiver em boas condições físicas. Trabalhe com calma e cuidadosamente. O operador deve arcar com a responsabilidade para com terceiros.
- Nunca use o Cortador de Grama após o consumo de álcool ou drogas.
- Não utilize a máquina ao sentir-se cansado.
- **Guarde o manual de instruções para consultas futuras.**

Equipamento de proteção pessoal

- A roupa a ser vestida deve ser prática, apropriada, e justa ao corpo sem que contudo cause desconforto. Não faça uso de acessórios ou roupas que possam enredar-se em arbustos ou galhos e tenha cuidado em caso de possuir cabelo comprido (prenda-o).
- Para evitar ferimentos na cabeça, nos olhos, nas mãos ou nos pés assim como proteger sua audição, os seguintes equipamentos e roupa de proteção deverão ser usados durante a operação da máquina.
- Use sempre capacete ao trabalhar em florestas. O capacete (1) de proteção deve ser examinado regularmente a fim de verificar-se se não apresenta nenhum dano e o mesmo deve ser substituído por um novo a cada 5 anos. Use somente capacetes de proteção aprovados.
- O visor (2) do capacete (ou óculos de proteção aprovados) protege o rosto de fragmentos e pedras. Durante a operação da máquina faça uso de óculos de proteção ou visor à fim de evitar ferimentos nos olhos.
- Faça uso de equipamento adequado para proteção contra ruído, a fim de evitar danos à sua audição (tapa ouvidos (3), buchas, etc.), especialmente durante períodos longos de trabalho.
- O uso do macacão (4) protege-lhe de eventuais fragmentos e pedras que venham de encontro ao seu corpo. Recomenda-se veementemente ao operador o uso de macacão.
- Luvas especiais (5) feitas de couro grosso fazem parte do equipamento prescrito, devendo as mesmas serem sempre usadas durante a operação do Cortador de Grama.
- Ao usar o Cortador de Grama use sempre calçados resistentes (6) e com sola que não escorregue a fim de proteger-se contra ferimentos e assegurar bom posicionamento.

Ligando o Cortador de Grama

- Assegure-se de que não hajam crianças ou outras pessoas dentro de um raio de 50 pés ou 15 metros do lugar de trabalho, assim como que não hajam quaisquer animais nas proximidades de trabalho.
- **Antes de pôr a máquina em funcionamento verifique se a mesma não apresenta nenhum risco à segurança da operação:**
Verifique se a ferramenta de corte encontra-se em estado perfeito de uso. Assegure-se de que a porca de montagem da lâmina encontre-se firmemente presa. Deve verificar-se se a alavanca de controle pode ser acionada suave e facilmente. Verifique se a trava da alavanca de controle encontra-se em perfeito funcionamento. Não é permitida a rotação da ferramenta de corte durante a velocidade de lenta. Consulte as instruções de ajuste da lenta na pág. 14. Verifique se os guidons encontram-se limpos e secos e teste o funcionamento do botão STOP. Mantenha suas mãos limpas, sem óleo ou combustível.
- Antes de pôr a máquina em funcionamento verifique e siga as normas locais relacionadas ao nível do som e as horas de funcionamento.
- Ligue o motor do cortador de grama somente por terra.
- Não faça o arranque do cortador com o mesmo nas costas.



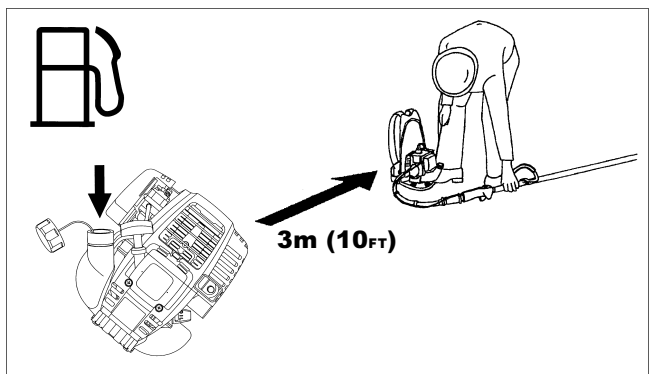
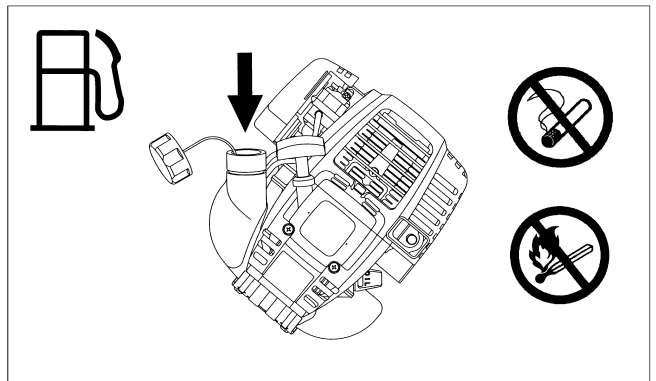
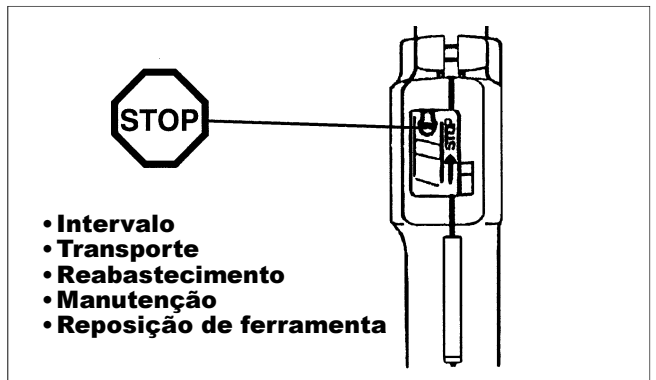
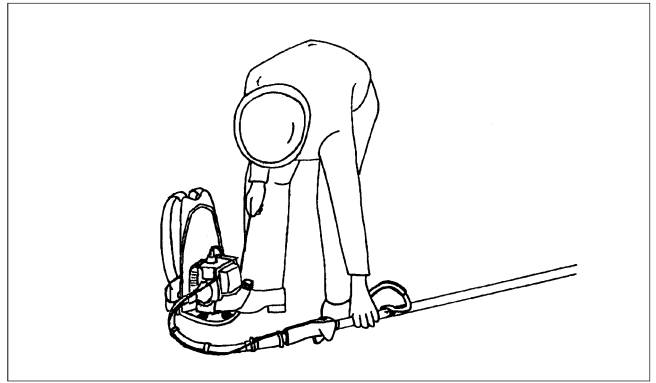
Ligue o Cortador de Grama somente de acordo com as instruções.

Não utilize nenhum outro método para ligar o motor!

- Utilize o Cortador de Grama e a ferramenta somente para o uso especificado.
- Ligue o motor do Cortador de Grama somente após a montagem total do mesmo. O funcionamento da ferramenta é somente permitido após a instalação de todos os acessórios apropriados.
- Antes de ligar assegure-se de que a lâmina de corte não entrará em contato com nenhum objeto assim como galhos, pedras, etc....
- Desligue imediatamente o motor se o mesmo apresentar qualquer problema.
- Se a lâmina de cortador atingir pedras ou qualquer outro objeto duro, desligue imediatamente o motor e examine-a.
- Examine regularmente e em intervalos curtos de tempo a lâmina de cortador a fim de verificar a existência de danos à mesma (identificação de rachaduras através do teste de batida e ruído).
- Um som de zumbido familiar deve ser escutado.
- Opere o Cortador de Grama somente com a alça de ombro presa e ajustada adequadamente antes da máquina ser posta em funcionamento. É essencial o ajuste da alça de acordo com a estatura do usuário a fim de prevenir cansaço decorrente do uso da máquina ou perda de controle sobre a ferramenta. Nunca segure o cortador com uma mão durante seu uso.
- Durante a operação da máquina segure-a sempre com ambas as mãos. Assegure-se sempre de um posicionamento estável.
- Utilize o Cortador de Grama de forma a evitar a inalação dos gases de escape. Nunca ponha o motor em funcionamento dentro de ambientes fechados (risco de sufocamento e envenenamento por gás). O monóxido de carbono é um gás inodoro. Assegure-se sempre de que haja ventilação adequada.
- Desligue o motor quando estiver descansando ou quando deixar a máquina sem vigilância. Coloque a máquina em local seguro a fim de prevenir riscos a terceiros, incêndios ou danos à máquina.
- Nunca deixe o Cortador de Grama quente sobre grama seca ou sobre qualquer material combustível.
- A lâmina de corte deve ser equipada com seu protetor apropriado. Nunca ponha o cortador em funcionamento sem tal protetor.
- Todas as instalações de proteção bem como os protetores fornecidos juntamente com a máquina devem ser utilizados durante sua operação.
- Nunca ponha o motor em funcionamento se o silenciador da descarga apresentar alguma defeito.
- Desligue o motor durante o transporte.
- Durante o transporte por distância longa o protetor da ferramenta incluído no equipamento deve ser sempre utilizado.
- Assegure-se de posicionar o Cortador de Grama de maneira segura e em pé durante seu transporte de carro ou caminhão a fim de evitar danos ao mesmo.
- Quando transportar o Cortador de Grama, assegure-se de que o tanque de combustível encontre-se completamente vazio a fim de evitar vazamento de combustível.

Reabastecimento

- A fim de reduzir o risco de incêndio e/ou queimaduras manuseie com cuidado o combustível. Desligue o motor antes de reabastecê-lo, mantenha distância de chamas abertas e não fume.
- Evite o contato de produtos petrolíferos com a pele. Não inale vapores de combustível. Use sempre luvas protetoras durante o reabastecimento. Troque e limpe as roupas protetoras regularmente.
- Tome cuidado para não derramar combustível ou óleo. Seque sempre a máquina antes de ligar o motor. Deixe panos secarem antes de guarda-los em recipientes apropriados e cobertos a fim de prevenir combustão espontânea.
- Evite qualquer contato do combustível com suas roupas. Troque imediatamente suas roupas se as mesmas forem respingadas de combustível (para prevenir que as mesmas peguem fogo).
- Inspeccione a tampa do combustível regularmente assegurando-se de que a mesma possa ser firmemente fechada e que não vaze.
- Aperte cuidadosamente a rosca de tranca do tanque de combustível. Mude de lugar para ligar o motor (pelo menos 10 pés ou 3 metros de distância do lugar do reabastecimento).
- Nunca reabasteça em ambientes fechados. O vapor de combustível acumula-se ao nível do solo (risco de explosão).
- Somente transporte e armazene combustível em recipientes aprovados. Assegure-se de que crianças não tenham acesso ao combustível armazenado.
- Não tente o reabastecimento com o motor quente ou em funcionamento.
- Quando misturar gasolina com óleo para motor de 2-tempos, utilize somente gasolina que não possua etanol ou metanol (tipos de álcool). Isso ajudará a prevenir danos as linhas de combustível e outras partes do motor.



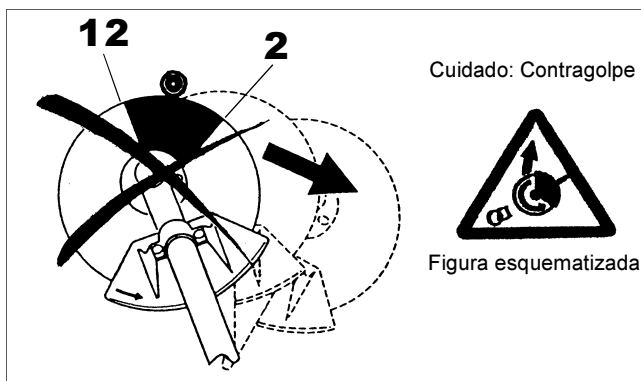
Método de funcionamento

- Use o Cortador de Grama somente sob boas condições de luminosidade e visibilidade. Durante as estações frias do ano tenha cuidado com áreas escorregadias ou molhadas, com gelo e com neve (risco de escorregar). Assegure-se sempre de um posicionamento seguro.
- Não exceda-se. Mantenha posicionamento apropriado, balanço e controle manual da máquina durante todo o tempo.
- Nunca corte acima da altura de sua cintura.
- Nunca opere o Cortador de Grama posicionando-se sobre escadas.
- Nunca suba em árvores para cortar com a máquina.
- Nunca trabalhe sobre superfícies instáveis ou terrenos íngremes.
- Retire areia, pedras, pregos ou qualquer material estranho que encontre-se dentro da área de trabalho. Tais materiais podem danificar a ferramenta de corte assim como provocar contragolpes perigosos além de poderem ser lançados perigosamente.
- A ferramenta de corte deverá ter atingido sua velocidade máxima de funcionamento antes do começo dos cortes.
- Nunca opere a máquina com a mesma de cabeça para baixo ou em ângulo acentuado.
- **CUIDADO!!! A área de corte ainda apresenta perigo enquanto a máquina encontra-se em ponto morto.**



Contragolpe

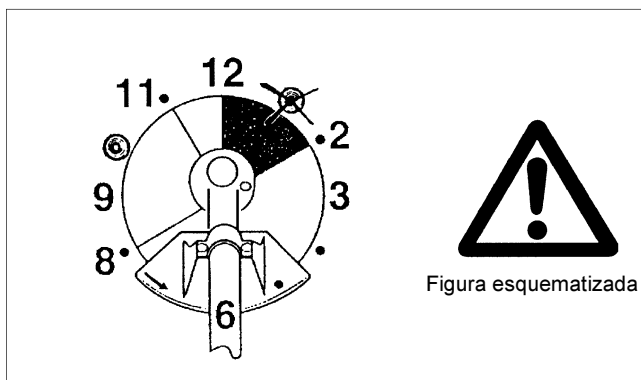
- Durante a operação do Cortador de Grama com fio pode haver a ocorrência de contragolpes incontrolados.
- Esse é particularmente o caso de quando tenta-se cortar com um segmento de lâmina entre 12 e 2 horas como é visto da posição do operador.
- Nunca toque este segmento da lâmina do Cortador de Grama em objetos sólidos, tais como arbustos ou árvores com um diâmetro maior que 3 cm.
- Isso fará com que o Cortador de Grama seja desviado de forma violenta com risco de ferimentos.
- **Nunca utilize o Cortador de Grama com fio com o segmento de lâmina entre 12 e 2 horas.**



Prevenção do contragolpe

A fim de prevenir contragolpes, observe o seguinte:

- A operação da máquina com o segmento de lâmina entre 12 e 2 horas pode causar sérios riscos, especialmente durante o uso de lâminas de corte metálico.
- Operações de corte com uma lâmina de segmento entre 11 e 12 horas, assim como entre 2 e 5 horas podem ainda causar a ocorrência de contragolpes.
- Operações de corte com uma lâmina de segmento entre 11 e 12 horas, assim como entre 2 e 5 horas, devem ser realizadas por operadores treinados e experientes e somente sob seu próprio risco.
- Um corte fácil, quase sem contragolpes, é possível com um segmento de lâmina entre 8 e 11 horas.



Ferramentas de corte

Empregue somente as ferramentas de corte corretas para o trabalho em questão.

Lâmina de corte (Lâmina Star (4 dentes), Lâmina Eddy (8 dentes))

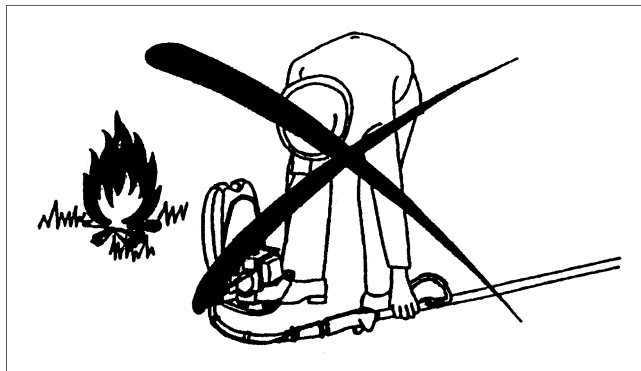
Para cortar materiais espessos tais como erva daninha, capim alto, arbustos, moitas, matagais, etc... (espessura de no máximo 2 cm de diâmetro). Realize esta atividade de corte balançando a máquina de maneira uniforme em meios-círculos da direita para a esquerda (similar ao uso de uma foice).

Instruções de manutenção

- Antes do início do trabalho deve verificar-se o estado em que se encontra o cortador ou aparador, particularmente a sua ferramenta de corte e os seus dispositivos de segurança, assim como as condições da alça de ombro. Deve ser dada particular atenção às lâminas de corte as quais devem encontrar-se corretamente afiadas.
- Sempre desligue o motor e remova a conexão da vela de ignição quando for substituir partes ou afiar as ferramentas de corte, assim como quando fizer a limpeza do cortador ou da ferramenta de corte.



- Nunca endireite ou solde ferramentas de corte danificadas.
- Opere o Cortador de Grama com o menor ruído e poluição possíveis. Verifique particularmente o ajuste correto do carburador.
 - Limpe o Cortador de Grama em intervalos regulares e verifique se todos os parafusos e porcas encontram-se firmemente apertados.
 - Nunca faça a revisão, conserte ou guarde a máquina nas proximidades de lugares onde hajam chamas expostas.
 - Guarde sempre o Cortador de Grama com o tanque de combustível vazio e em recintos trancados mas com boa ventilação.



Cumpra e siga todos as instruções para a prevenção de acidentes emitidas pelas associações comerciais relevantes e pelas companhias de segurança.

Não faça nenhuma modificação no Cortador de Grama com fio pois isso porá sua segurança em risco.

A realização de trabalhos de manutenção assim como de reparos na máquina encontra-se restrita a aquelas atividades descritas neste manual de instruções. Quaisquer outros serviços devem ser realizados por empresas de serviço autorizado.

Use somente peças de reposição e acessórios genuínos fornecidos por MAKITA.

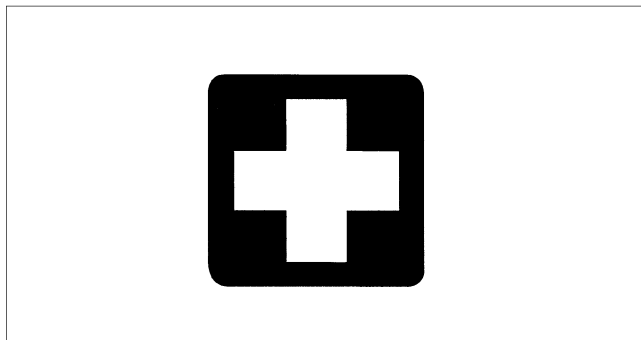
O uso de acessórios e ferramentas não autorizados significa um aumento no risco de acidentes. MAKITA não se responsabilizará por acidentes ou danos causados pelo uso de ferramentas de corte, dispositivos para o conserto de ferramentas de corte ou acessórios não autorizados.

Primeiros socorros

Na possibilidade de ocorrência de acidentes certifique-se de que haja a disposição um estojo de primeiros socorros nas proximidades do local de trabalho. Substitua imediatamente qualquer item que haja sido retirado do estojo de primeiros socorros.

Quando pedir por ajuda forneça as seguintes informações:

- O Lugar do acidente
- O que aconteceu
- O número de pessoas feridas
- A extensão dos ferimentos
- Seu nome



Embalagem

O Cortador de Grama MAKITA é entregue em duas caixas de papelão protetoras a fim de evitar danos durante o transporte.

O papelão é uma matéria-prima básica sendo portanto reutilizável e próprio para reciclagem (reciclagem de papel).



DECLARAÇÃO DE CONFORMIDADE CE

Modelo: EBH341R

Nós declaramos sob nossa total responsabilidade que este produto está em conformidade com as normas de documentos padronizados ISO14865, ISO14740, e EN55012 de acordo com as Directivas do Conselho 89/392/CEE, emendas 98/37/CEE e 93/68/CEE, e 89/336/CEE, emenda 92/31/CEE.

Potência Sonora Medida: 108.4 dB

Potência Sonora Garantida: 113.3 dB

Estes níveis de potência sonora foram medidos de acordo com a Directiva do Conselho 2000/14/CE.

Procedimento de avaliação de conformidade: Anexo V.

CE2007



Tomoyasu Kato
Director

Fabricante Responsável:

Makita Corporation.

3-11-8, Sumiyoshi-cho, Anjo, Aichi, JAPÃO

Representante Autorizado na Europa:

Makita International Europe Ltd.

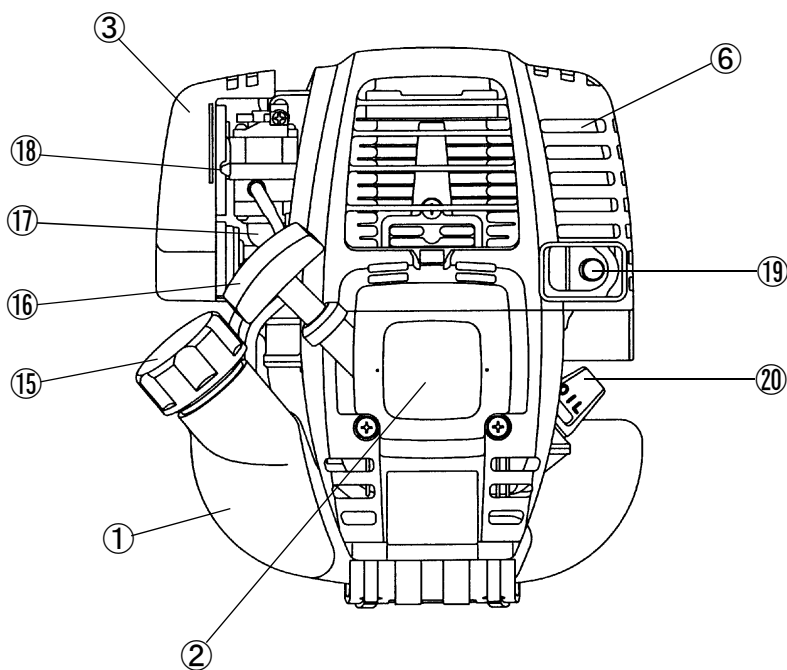
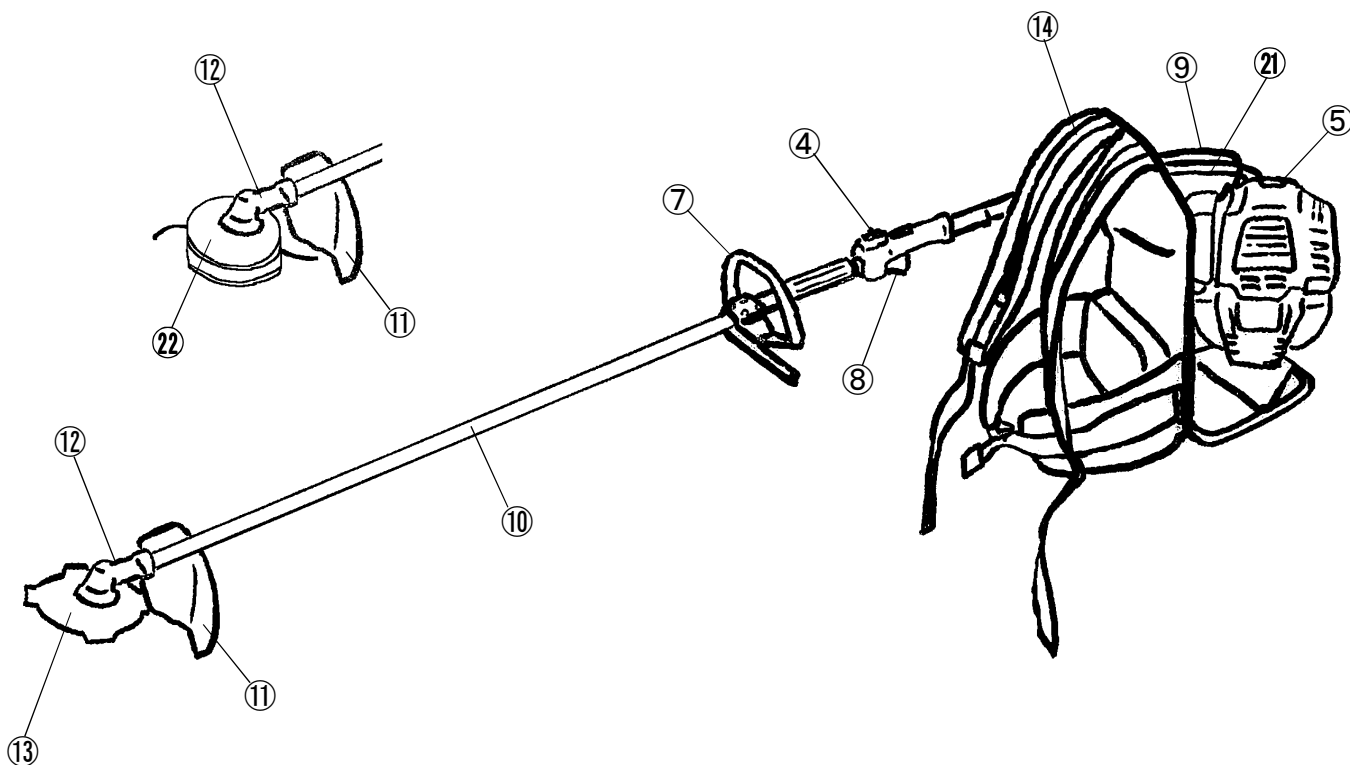
Michigan Drive, Tongwell, Milton Keynes, Bucks MK15 8JD, Inglaterra

DADOS TÉCNICOS

Modelo		EBH341R		
		Guidom curvo		
		Lâmina de corte	Cabeçote de Corte de Náilon	
Dimensões : comprimento, largura e altura (Comprimento sem a embalagem do tubo) mm		430 x 280 x 430		
Massa (sem o protetor e a lâmina de corte) kg		10.2		
Volume (tanque de combustível) L		0.65		
Acessórios do corte (diâmetro da lâmina de corte) mm		255		
Deslocamento do motor cm ³		33.5		
Desempenho máximo do motor kw		1.07 at 7000 min ⁻¹		
Velocidade do motor na velocidade máxima do fuso recomendada min ⁻¹		10000		
Velocidade máxima do fuso (correspondente) min ⁻¹		7500		
Consumo de combustível kg/h		0.458		
Consumo específico de combustível g/kwh		426		
Velocidade da lenta min ⁻¹		3000		
Velocidade da embreagem min ⁻¹		4100		
Carburador (carburador de diafragma) tipo		WALBRO WYL		
Sistema de ignição tipo		estado de ignição sólida		
Vela de ignição tipo		NGK CMR6A		
Intervalo entre eletrodos mm		0.7 – 0.8		
Vibração por ISO 7916 ¹⁾	Guidom direito (pegador traseiro)	em lenta m/s ²	0.6	0.7
		em marcha ou W.O.T. m/s ²	4.0	5.59
	Guidom esquerdo (pegador dianteiro)	em lenta m/s ²	0.85	0.82
		em marcha ou W.O.T. m/s ²	4.78	8.12
Média do nível de pressão do som de acordo com a ISO 7917 ¹⁾ dB		89.3	97.1	
Média do nível de força do som de acordo com a ISO 10884 ¹⁾ dB		104.3	108.4	
Combustível		Gasolina de automóvel		
Óleo do motor		SAE 10W-30 óleo de classificação API, classe SF ou mais alta (motor de 4-tempos para automóveis)		
Proporção de engrenagem		15/20		

1) Os dados levam em consideração os modos de funcionamento em velocidade lenta e de marcha ou com a válvula aberta.

DESIGNAÇÃO DAS PARTES



P	DESIGNAÇÃO DAS PARTES
1	Tanque de combustível
2	Arranque de recuo
3	Filtro de ar
4	Interruptor I-O(desligar)
5	Vela de ignição
6	Silenciador da descarga
7	Guidom
8	Alavanca de controle
9	Cabo de controle
10	Eixo
11	Protetor
12	Caixa de mudança/Caixa do çote
13	Lâmina de corte
14	Alça de ombro
15	Tampa do filtro de combustível
16	Puxador de arranque
17	Bomba de escorva
18	Alavanca do afogador
19	Cano de descarga
20	Medidor do óleo
21	Tubo flexível
22	Cabeçote de corte de náilon

MONTAGEM DO MOTOR E DO EIXO PROPULSOR



CUIDADO : Antes de realizar qualquer trabalho no cortador de grama, desligue sempre o motor e puxe para fora a conexão da vela de ignição.
Tenha cuidado com partes quentes do motor e bordas de lâminas afiadas.
Utilize sempre luvas de proteção.

CUIDADO : Somente ligue o cortador de grama após a montagem total do mesmo.

1. Conexão do tubo flexível com o motor e fixador do tubo

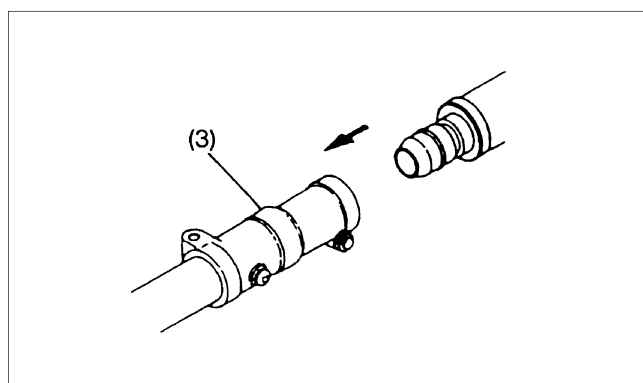
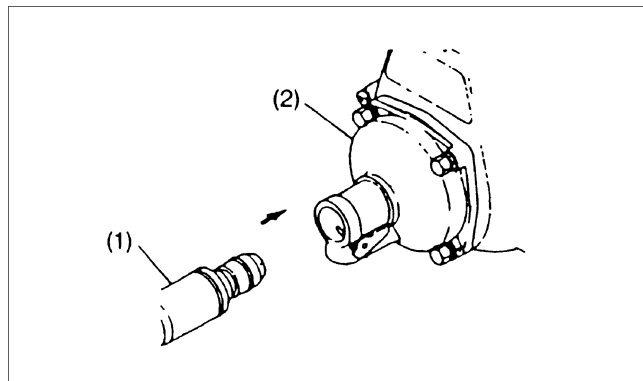
Introduza uma extremidade do tubo flexível (1) no compartimento de embreagem (2) do motor até que a mesma trave com um ruído de clique.

Introduza a outra extremidade do tubo flexível no fixador do tubo (3) do cortador de grama até que a mesma trave.

As extremidades do tubo flexível são intercambiáveis.

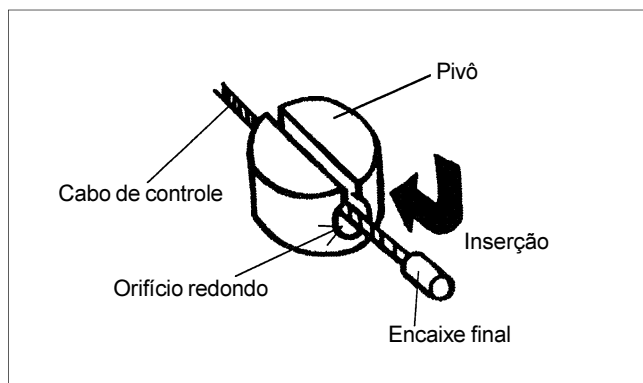
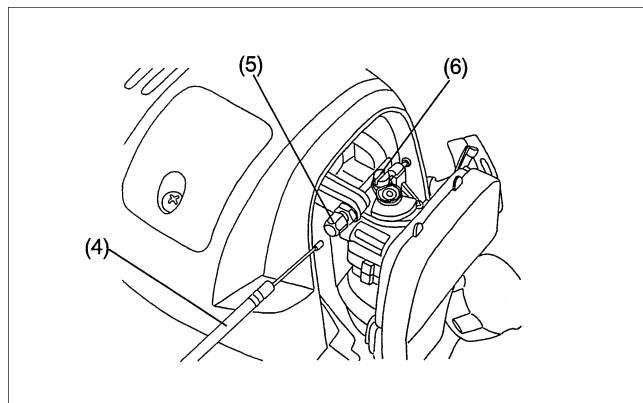
Certifique-se de que a extremidade quadrada do eixo flexível encaixe na junta do eixo motor.

ATENÇÃO : Caso você tenha dificuldade em introduzir o tubo flexível corretamente, a extremidade quadrada do eixo flexível pode não ter encaixado na junta do eixo motor. Não force a introdução para evitar danos na extremidade do eixo flexível. Repita o mesmo procedimento até que o eixo flexível encaixe corretamente com o tubo.



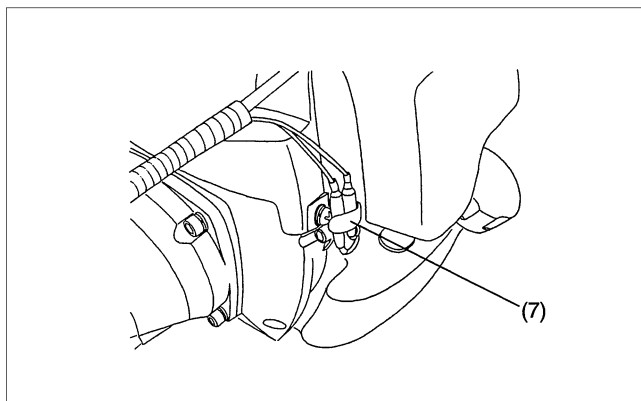
2. Montagem do cabo de controle

- Remova a tampa do filtro de ar.
- Coloque o cabo de controle (4) no parafuso de ajuste (5), e desloque o pivô (6) de modo que o cabo seja colocado na ranhura do pivô. Assim sendo, o lado do orifício redondo do pivô ficará orientado no sentido do encaixe final de metal do cabo interno.
- Solte o pivô e certifique-se de que o encaixe final de metal do cabo interno fica encaixado no orifício.
- Recoloque a tampa do filtro de ar.



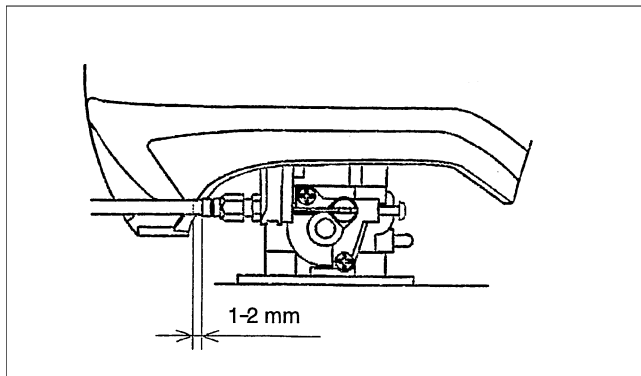
CONEXÃO DOS CABOS DO INTERRUPTOR

- Conecte os cabos do interruptor aos dois cabos do motor inserindo um dentro do outro.
- Fixe o conector dos cabos através da braçadeira (7).

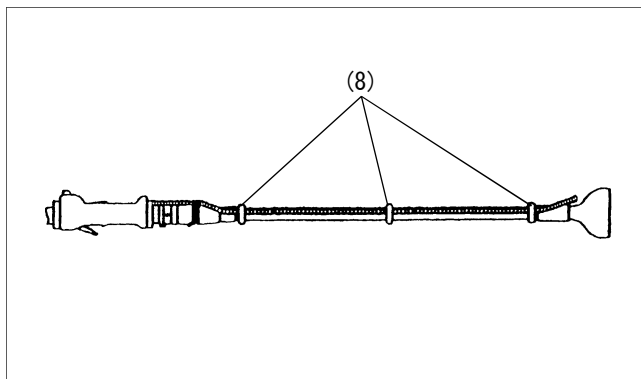


AJUSTE DO CABO DE CONTROLE

- Ajuste o cabo de controle pelo parafuso de ajuste de modo a ter uma folga de 1 a 2 mm quando a alavanca do acelerador estiver ajustada à posição de baixa velocidade através do parafuso de ajuste do carburador. (Tome cuidado para que a lâmina de corte não gire em marcha lenta.)



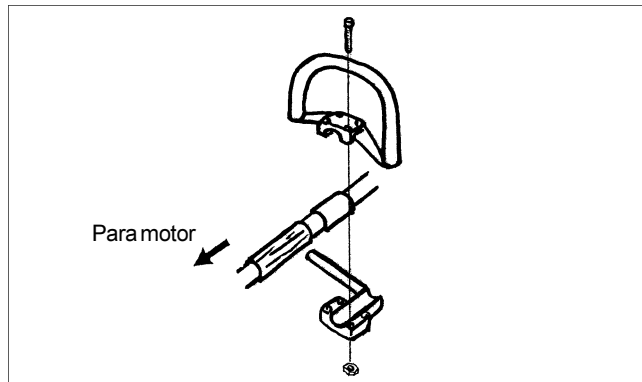
Extenda o cabo do acelerador e os cabos do interruptor I-O ao longo do tubo flexível e prenda-os firmemente em 3 pontos com grampo de fio (8). Caso o cabo do acelerador e os cabos do interruptor I-O não sejam fixados firmemente, há possibilidade dos mesmos se entrelaçarem com galhos, etc, podendo causar perigo.



MONTAGEM DO GUIDOM



- Fixe a barreira ao lado esquerdo da máquina junto com a alça para a proteção do operador.
- Não ajuste a posição da alça perto demais do punho/alavanca de controle. Mantenha a alça a pelo menos 25 cm distante do punho/alavanca de controle. (Um colar de distância é fornecido para esse propósito.)



MONTAGEM DO PROTETOR



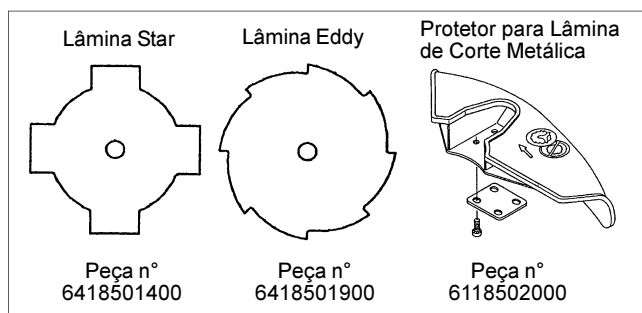
A fim de cumprir com as condições de segurança vigentes, somente deve ser utilizada a combinação ferramenta/protetor assim como indicada na figura. O não cumprimento de tais condições poderá resultar em ferimentos graves ou em morte ao usuário ou a outras pessoas que encontrem-se na área de trabalho.

Assegure-se de utilizar lâminas de corte ou cabeçotes de corte de náilon genuínos MAKITA.

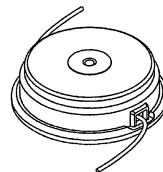
- A lâmina de corte deve ser bem limpa, afiada e sem a presença de rachaduras ou quebras. Se a lâmina de corte atingir qualquer objeto duro ou pedras durante seu funcionamento, desligue o motor e verifique imediatamente a lâmina.
- Limpe, afie ou reponha a lâmina no mínimo a cada 3 horas de funcionamento.
- O diâmetro exterior da lâmina de corte não deve exceder a 255 mm (10-1/32"). Nunca use nenhuma lâmina que ultrapasse 255 mm (10-1/32") de diâmetro externo.

ATENÇÃO: O protetor apropriado deve sempre ser instalado, para sua própria segurança e a fim de cumprir com as regras de prevenção de acidentes. Não é permitida a operação do equipamento sem a colocação da proteção.

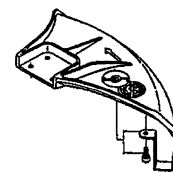
- Fixe firmemente o protetor à caixa de mudança através de 4 parafusos.
- Nunca use o cortador de grama sem um protetor ou com um protetor quebrado.



Protetor para Cabeçote de Corte de Náilon



Peça nº 6348003000



Peça nº 174345800

MONTAGEM DA LÂMINA DE CORTE OU DO CABEÇOTE DE CORTE DE NÁILON



Gire a máquina de cabeça para baixo, permitindo assim uma substituição fácil da lâmina de corte ou cabeçote de corte de náilon.

Montagem da lâmina de corte

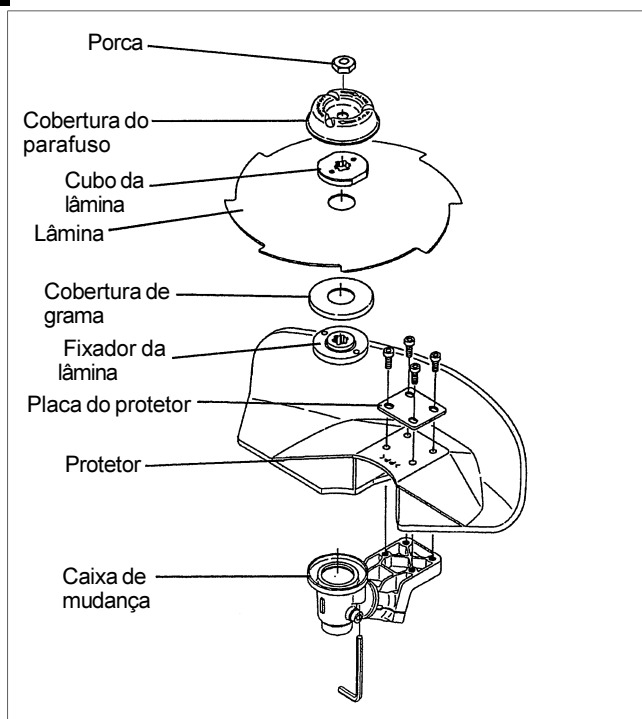
- Encaixe a lâmina de corte e as outras partes na ordem indicada na ilustração. Introduza uma barra ou chave Allen na abertura da caixa de mudança até que a lâmina de corte fique travada e não gire. Aperte a porca girando-a no sentido anti-horário com uma chave combinada. (Note que a porca é apertada ou afrouxada no sentido oposto ao de uma porca convencional.)
- A porca deve sempre ser reapertada antes de cada uso.
- Para este cortador de grama, nós recomendamos os acessórios de corte indicados à direita.
- Nunca tente cortar uma árvore, tronco, madeira ou outros materiais duros.

[Torque de aperto: 28 a 48 N.m]

NOTA: Use sempre óculos de segurança quando do manuseio da lâmina de corte.

Montagem do cabeçote de corte de náilon

- O cubo da lâmina, a cobertura do parafuso e a porca não são necessários para a montagem do cabeçote de corte de náilon. O cabeçote de corte de náilon deve ser posicionado em cima da cobertura de grama.
- Introduza a chave Allen através da abertura da caixa de mudança e gire o fixador da lâmina até que seja travado com a chave Allen.
- Parafuse, então, o cabeçote de corte de náilon no eixo girando-o no sentido anti-horário.
- Remova a chave Allen.



ANTES DE PÔR EM FUNCIONAMENTO



Inspeção e reabastecimento de óleo para o motor

- Realize os seguintes procedimentos com o motor frio.
- Mantendo o nível do motor, retire o medidor do óleo e certifique-se de que o preenchimento de óleo seja feito entre as marcas de limite inferior e superior. Quando o óleo estiver baixo de maneira que o medidor do óleo toque-o somente com a ponta, especialmente com o medidor do óleo mantendo-se inserido na caixa da manivela sem enroscar-se (fig. 1), reabasteça com óleo novo próximo ao orifício.
- Para sua referência, o tempo de reabastecimento de óleo é de 15 horas (frequência do reabasteça : 15 vezes).
- Se o óleo apresentar mudança de cor ou misturar-se com sujeira, troque-o por óleo novo (para o intervalo e o método de troca, consulte a página 143).

Óleo recomendado : SAE 10W-30 de classificação API, Classe SF ou superior (motor de 4-tempos para automóveis).

Volume de óleo : aproximadamente 0,1L

Nota: Caso o motor não seja mantido na posição vertical, o óleo pode entrar ao redor do motor e ser abastecido excessivamente.
Caso o óleo seja abastecido acima do limite, ele pode ficar contaminado ou pegar fogo com fumaça branca.

Ponto 1 em reabastecimento de óleo “medidor de óleo”.

- Remova qualquer sujeira ou poeira próxima ao orifício de reabastecimento de óleo, e desencaixe o medidor de óleo.
- Mantenha o medidor de óleo que foi separado sem areia ou poeira. De outra forma, medidores de óleo sujos de areia ou poeira podem provocar uma circulação irregular de óleo ou o desgaste de partes do motor, o que resultará em problemas.
- Como um exemplo para manter o medidor de óleo limpo, recomenda-se inserir o mesmo ao lado do seu próprio pegador na cobertura do motor, como na fig.3.



Fig.1

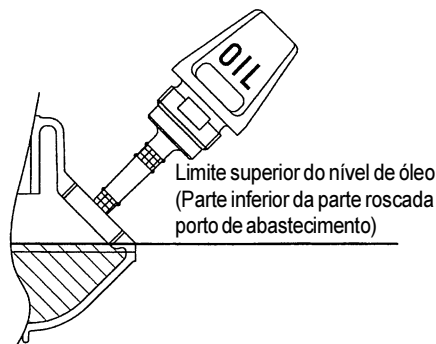


Fig.2

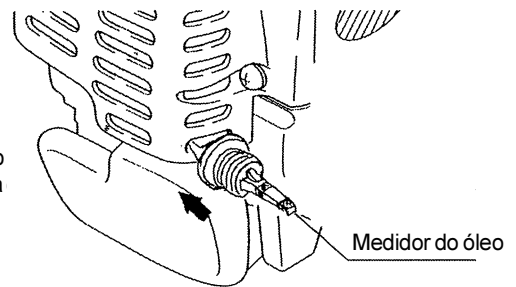
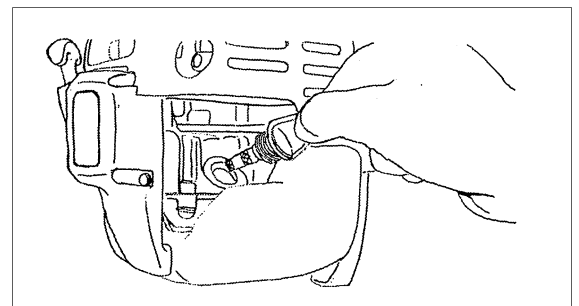
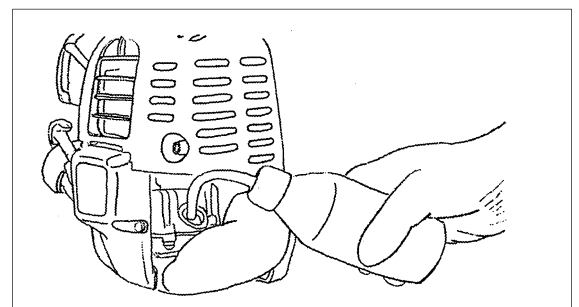


Fig.3

- (1) Mantenha o nível do motor e desencaixe o medidor de óleo.



- (2) Preencha com óleo até a borda do orifício de reabastecimento de óleo (veja a fig.2 da página anterior).



- (3) Aperte firmemente o medidor de óleo. Pode haver vazamento de óleo se o medidor de óleo não encontrar-se suficientemente apertado.

Ponto 2 no reabastecimento de óleo: “se o óleo derramar”

- Se o óleo derramar-se entre o tanque de combustível e o motor, o mesmo é sugado para dentro através orifício de absorção de ar refrigerado, o que contaminará o motor. Assegure-se de limpar óleo derramado antes de pôr a máquina em funcionamento.

REABASTECIMENTO DE COMBUSTÍVEL

Manejo de combustíveis

Todo cuidado é necessário ao manejar combustíveis. Combustíveis podem conter substâncias parecidas com solventes. Reabasteça em área bem ventilada ou ao ar livre. Não inale vapores de combustível e mantenha distância do mesmo. Sua pele se ressecará se entrar em contato com tais substâncias repetidamente ou por longo período de tempo o que poderá resultar em doenças de pele ou alergias. Se tais substâncias entrarem em seus olhos lave-os imediatamente com água corrente. Se a irritação em seus olhos prosseguir procure imediatamente um médico.

Tempo de armazenagem de combustível

Combustíveis devem ser consumidos dentro de um período de 4 semanas, mesmo que sejam guardados em recipientes especiais na sombra e em área bem ventilada.

Combustíveis podem deteriorar-se em um dia se não forem armazenados em recipientes especiais ou em recipientes sem tampa.

ARMAZENAGEM DA MÁQUINA E DO TANQUE DE ABASTECIMENTO

- Mantenha a máquina e o tanque em um lugar fresco, sem incidência de luz solar direta.
- Nunca guarde o combustível em uma cabina ou baú.

Combustível

O motor é um motor de 4-tempos. Assegure-se de utilizar gasolina de automóveis (gasolina normal ou especial).

Pontos relacionados ao combustível

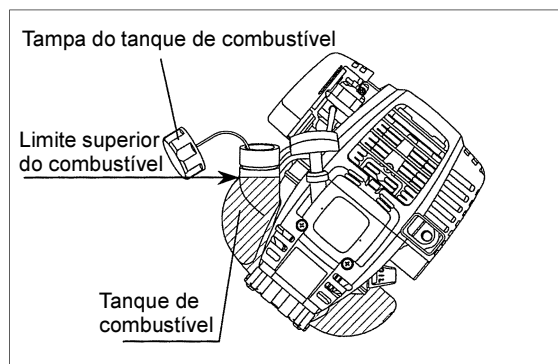
- Nunca utilize mistura de gasolina que contenha óleo de motor. De outra maneira, ocorrerá um acúmulo de carbono e problemas mecânicos.
- O uso de óleo deteriorado causará irregularidades no arranque.

Reabastecimento de combustível

AVISO: OS PRODUTOS INFLAMÁVEIS SÃO ESTRITAMENTE PROIBIDOS

Gasolina a ser utilizada: gasolina de automóvel (gasolina sem chumbo)

- Afrouxe um pouco a tampa do tanque de gasolina a fim de que não haja diferença de pressão atmosférica.
 - Desencaixe a tampa do tanque e reabasteça, descarregando o ar inclinando o tanque de maneira que o orifício de reabastecimento do tanque fique direcionado para cima (nunca reabasteça até que o nível de combustível chegue ao orifício de reabastecimento de óleo).
 - Limpe ao redor da tampa do tanque a fim de prevenir que materiais estranhos entrem no tanque de combustível.
 - Após o reabastecimento, aperte de maneira segura a tampa do tanque.
- Caso haja qualquer defeito ou danificação na tampa do tanque, substitua-a.
 - A tampa do tanque é uma peça consumível e, portanto, deve ser substituída por uma nova a cada dois ou três anos.



PONTOS RELACIONADOS COM O FUNCIONAMENTO E COM A PARADA DA MÁQUINA

Observe as regras vigentes de prevenção de acidentes.

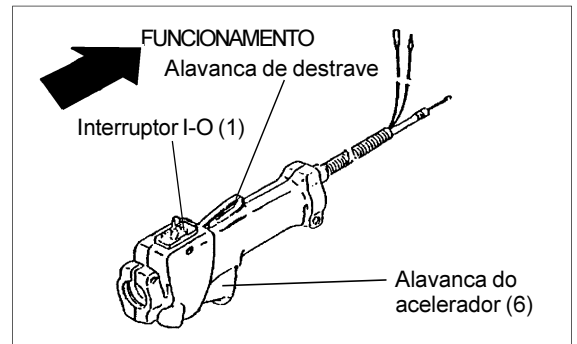


LIGANDO A MÁQUINA

Afaste-se no mínimo 3 metros do local do reabastecimento de combustível. Coloque o cortador de grama em uma área desocupada do solo e assegure-se de que a ferramenta de corte não entre em contato com o solo ou com qualquer outro objeto.

A: Arranque a frio

1) Coloque a máquina em lugar plano



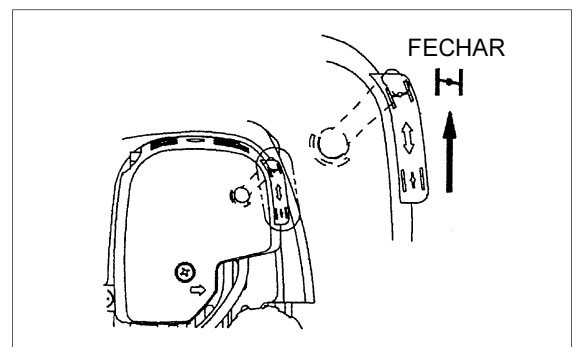
2) Posicione o interruptor I-O em OPERATION (FUNCIONAMENTO)

3) Alavanca do afogador

Feche a alavanca do afogador.

Abertura do afogador:

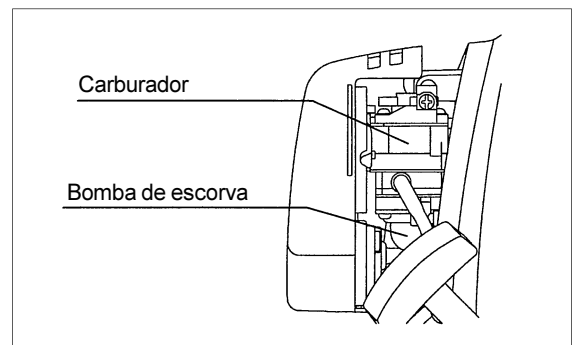
- Fechado ao máximo no frio ou quando o motor encontra-se frio.
- Abertura máxima ou pela metade em re arranque logo após a parada do funcionamento.



4) Bomba de escorva

Continue puxando a bomba de escorva até que o combustível entre na mesma (geralmente o combustível entra na bomba de escorva de 7 a 10 puxões).

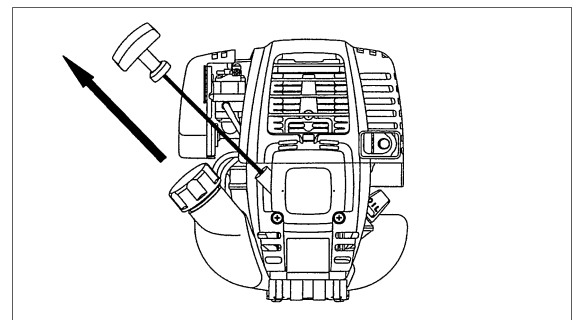
Se a bomba de escorva for puxada excessivamente, o excesso de gasolina retorna ao tanque de combustível.



5) Arranque de recuo

– Puxe cuidadosamente o puxador de arranque até que o mesmo fique difícil de puxar (ponto de compressão). À seguir retorne o puxador de arranque e então puxe-o com força.

– Nunca puxe a corda completamente. Uma vez que o puxador de arranque esteja puxado, nunca solte-o imediatamente. Segure o puxador de arranque até que o mesmo retorne ao seu ponto inicial.

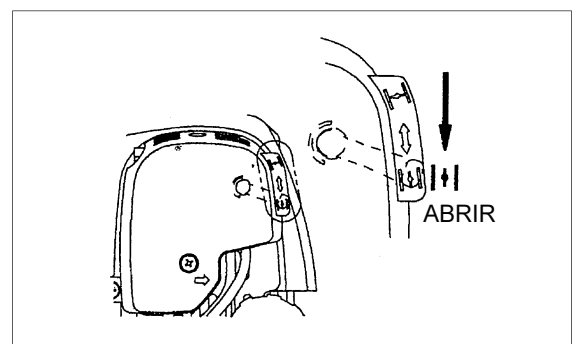


6) Alavanca do afogador

Quando o motor ligar abra a alavanca do afogador.

– Abra a alavanca do afogador progressivamente enquanto verifica o funcionamento do motor. Assegure-se de abrir a alavanca do afogador completamente até o fim.

– No frio ou quando o motor encontrar-se frio, nunca abra subitamente a tampa do afogador. De outra forma o motor poderá parar.



7) Aquecimento do motor

Aqueça o motor de 2 a 3 minutos.

Note: – Se o pegador de arranque for puxado repetidamente com a alavanca do afogador na posição “START”, o motor não pegará facilmente devido a entrada excessiva de combustível.

- Em caso de entrada excessiva de combustível, retire a vela de ignição e puxe o pegador de arranque devagar a fim de retirar o excesso de combustível. Além disso seque a secção de eletrodos da vela de ignição.

CUIDADO DURANTE A OPERAÇÃO:

Se a alavanca do acelerador for aberta completamente em uma operação sem carga, a rotação do motor tem um acréscimo de 10.000min⁻¹ ou mais . Nunca opere o motor em uma velocidade maior que a necessária e tal velocidade deve ser de aproximadamente 6.000-8000min⁻¹.

B: Ligando o motor após o aquecimento

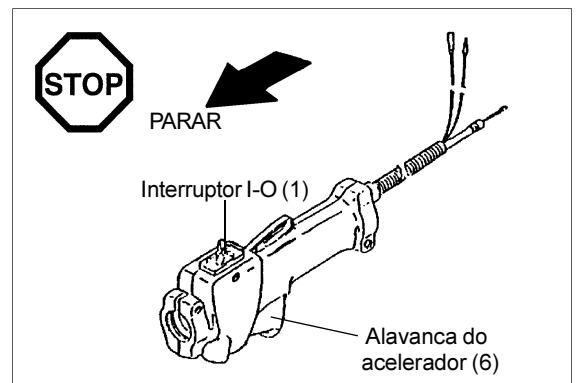
- 1) Empurre a bomba de escorva repetidamente.
- 2) Mantenha a alavanca do acelerador na posição de lenta.
- 3) Puxe com força o arranque de recuo.
- 4) Se for difícil ligar o motor, abra o 1/3 do acelerador. Preste atenção à lâmina de corte pois a mesma poderá girar.

Atenção durante a operação

Quando o motor for posto em funcionamento de cabeça para baixo, fumaça branca pode sair do silenciador.

PARADA DA MÁQUINA

- 1) Solte a alavanca do acelerador (6) completamente, quando as revoluções (rpm) do motor tiverem baixado, posicione o interruptor em STOP e o motor parará.
- 2) Esteja atento para o fato de que o cabeçote de corte pode não parar imediatamente e permita que o mesmo o faça devagar e completamente.

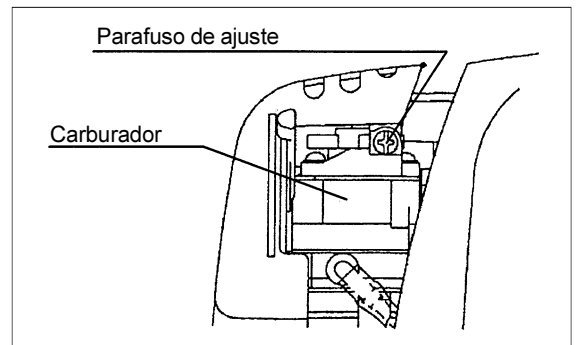


AJUSTE DA ROTAÇÃO DE BAIXA VELOCIDADE (LENTA)

Quando for necessário o ajuste da rotação de baixa velocidade (lenta), realize a mesma através do parafuso de ajuste do carburador.

CHECAGEM DA ROTAÇÃO DE BAIXA VELOCIDADE

- Coloque a rotação de baixa velocidade em 3000min⁻¹. Se for necessária a mudança da velocidade da rotação, regule o parafuso de ajuste (figura à direita) com a chave de fenda Phillips.
- Gire o parafuso de ajuste para a direita e a rotação do motor aumentará. Gire o parafuso de ajuste para a esquerda e a rotação do motor diminuirá.
- O carburador é geralmente ajustado antes do carregamento. Se for necessário o reajuste do mesmo, entre em contato com um agente de serviço autorizado.

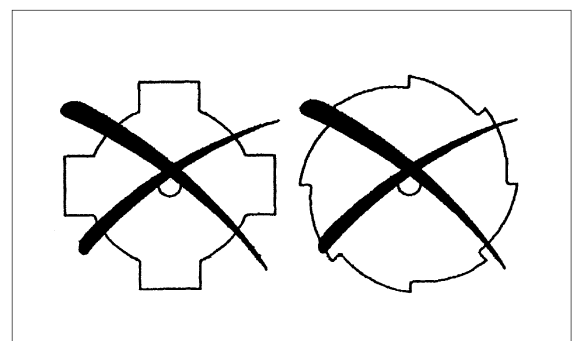


AFIAÇÃO DA FERRAMENTA DE CORTE

CUIDADO: As ferramentas de corte mencionadas abaixo devem somente ser afiadas por equipe autorizada. Afição manual resultará em desequilíbrios na ferramenta de corte causando vibrações e danos ao equipamento.

- Lâmina de corte (lâmina “star”(4 dentes), lâmina eddy (8 dentes), Lâmina áspera(3 dentes))
Um serviço qualificado de afiação e balanceamento é fornecido por agentes de serviço autorizado.

Nota: A fim de aumentar a vida útil da lâmina de corte (lâmina star, lâmina eddy), a mesma pode ser virada ao contrário uma vez, até que ambos os fios tenham ficado cegos.



INSTRUÇÕES DE REVISÃO



CUIDADO: Antes de realizar qualquer trabalho no Cortador de Grama, desligue sempre o motor e puxe a tampa da vela de ignição (veja “ checagem da vela de ignição”).
Use sempre luvas protetoras.

Para assegurar uma vida útil longa e para evitar danos ao equipamento, os seguintes trabalhos de revisão deverão ser realizados regularmente.

Inspeção e manutenção diários.

- Antes da operação, verifique se a máquina não apresenta nenhum parafuso frouxo ou peças faltando. Dê especial atenção à firmeza dos parafusos da lâmina de corte ou do cabeçote do corte de náilon..
- Antes da operação, certifique-se sempre de que não haja entupimento na passagem de ar frio e nas barbatanas dos cilindros. Limpe-os se necessário.
- Realize os seguintes trabalhos diariamente após o uso:
 - Limpe o Cortador de Grama por fora e verifique se há algum dano.
 - Limpe o filtro de ar. Ao trabalhar sob condições em que haja muita poeira, limpe o filtro várias vezes ao dia.
 - Verifique se a lâmina ou o cabeçote de corte de náilon não encontram-se danificados e assegure-se de que as mesmas encontrem-se bem montadas.
 - Verifique se a diferença existente entre velocidade de lenta e da marcha é suficiente a fim de assegurar-se que a ferramenta de corte fique parada enquanto o motor encontrar-se na lenta (reduza a velocidade da lenta, se necessário).
Se durante a lenta a ferramenta continuar funcionando consulte seu agente de serviço autorizado mais próximo.
- Verifique o funcionamento do interruptor I/O, bem como a alavanca de destrave, a alavanca de controle e o botão de travé.

TROCA DO ÓLEO DE MOTOR

Óleos de motor deteriorados encurtarão em grande extensão a vida útil de peças de deslizamento e rotação. Assegure-se de verificar o intervalo e a quantidade da troca.



ATENÇÃO: Em geral a unidade principal do motor e o óleo de motor continuam quentes após o desligamento do motor. Ao trocar o óleo, verifique se o motor e o óleo já encontram-se suficientemente esfriados. De outra forma, há risco de queimaduras.

Nota: Caso o óleo seja abastecido acima do limite, ele pode ficar contaminado ou pegar fogo com fumaça branca.

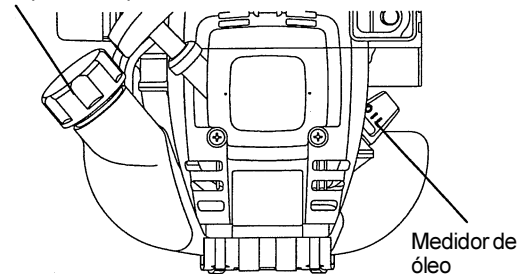
Intervalo de troca: Inicialmente, a cada 20 horas de funcionamento, e subsequentemente a cada 50 horas de funcionamento.

Óleo recomendado: SAE10W-30 de classificação API, classe SF ou mais alta (óleo para motor de 4-tempos para automóveis).

Durante a troca, realize os seguintes procedimentos:

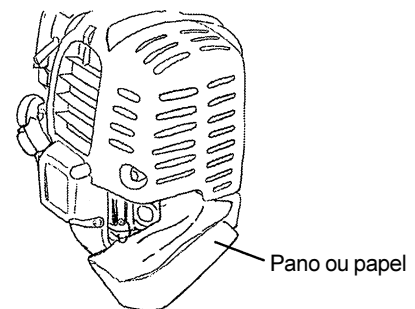
- 1) Confirme se a tampa do tanque encontra-se firmemente presa.
- 2) Desencaixe o medidor de óleo.
Mantenha o medidor de óleo sem sujeira ou poeira.

Tampa do tanque de combustível



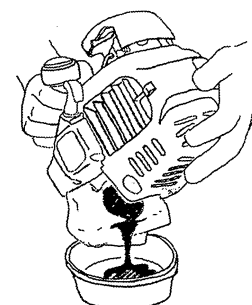
Medidor de óleo

- 3) Coloque papel próximo do orifício de reabastecimento de óleo.

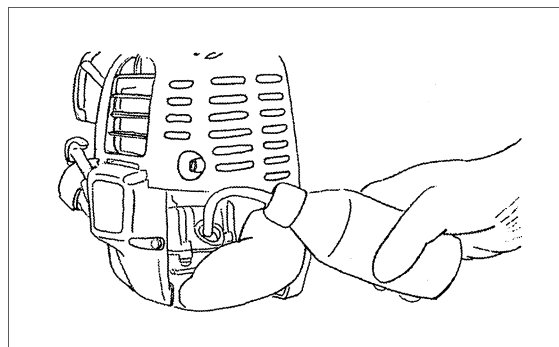


Pano ou papel

- 4) Solte o medidor de óleo, e retire o óleo, inclinando o motor em direção ao orifício de reabastecimento de óleo.
Esvazie o óleo do motor em um recipiente.



- 5) Mantenha o nivelamento do motor, e forneça óleo novo até a borda do orifício de reabastecimento de óleo. Ao reabastecer, use um recipiente de reabastecimento de lubrificante.
- 6) Após o reabastecimento, aperte firmemente o medidor de óleo. Se o mesmo não for suficientemente apertado haverá vazamento de óleo.



PONTOS RELACIONADOS AO ÓLEO.

- Nunca desfaça-se de óleo trocado no lixo, na terra, ou em fossas. A disposição de óleo é regulada por lei. Ao desfazer-se de óleo, siga sempre as leis e regulamentos relevantes. Para o esclarecimento de dúvidas, contacte seu agente de serviço autorizado.
- Óleo deteriora-se mesmo se mantido sem uso. Realize a inspeção e a troca regularmente (troque de óleo a cada 6 meses).

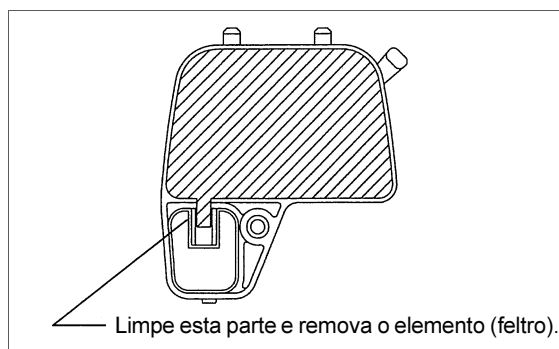
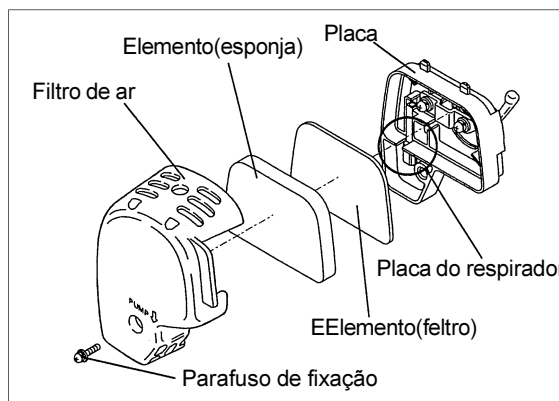
LIMPEZA DO FILTRO DE AR



PERIGO: PRODUTOS INFLAMÁVEIS ESTRITAMENTE PROIBIDOS.

Intervalo de limpeza e inspeção: diárias (a cada 10 horas de funcionamento)

- Gire a alavanca do acelerador para a posição de fechamento total e mantenha o carburador livre de sujeira ou poeira.
- Retire os ferrolhos da cobertura do filtro de ar.
- Puxe o lado de baixo cobertura e solte-a.
- If oil adheres to the element (sponge), squeeze it firmly.
- Para contaminação pesada:
 - 1) Remova o elemento (esponja), coloque-o em água morna ou em detergente neutro diluído em água, e seque-o por completo.
 - 2) Limpe o elemento (feltro) com gasolina, e seque-o por completo.
- Antes de instalar o elemento, assegure-se de secá-lo completamente. A secagem insuficiente do elemento pode resultar em dificuldades de ignição.
- Remova com um trapo o óleo aderido à tampa do filtro de ar e ao respiradouro da placa.
- Imediatamente após o fim da limpeza, coloque a cobertura do filtro e aperte-a com os ferrolhos de fixação (ao remontar, primeiramente coloque a garra superior e em seguida a inferior).



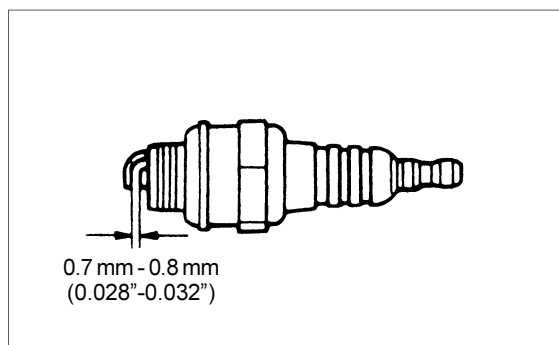
Observações para lidar com o elemento do filtro de ar

- Limpe o elemento diversas vezes por dia caso haja muito pó a ele aderido.
- Caso a operação continue com o elemento restante não bem limpo de óleo, o óleo dentro do filtro de ar pode jorrar para fora, resultando em contaminação de óleo.

INSPEÇÃO DA VELA DE IGNIÇÃO

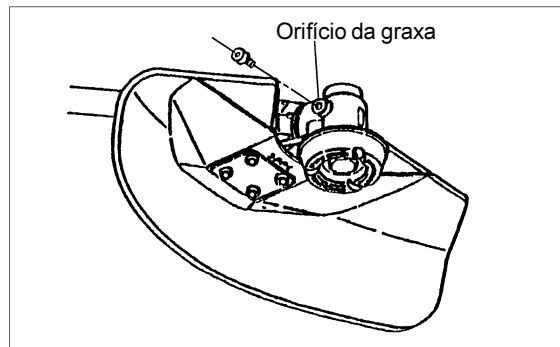
- Utilize somente a chave universal fornecida para remover ou instalar a vela de ignição.
- O intervalo entre os dois eletrodos da vela de ignição deverá ser de 0,7-0,8mm (0,028"-0,032"). Se o intervalo for muito largo ou muito estreito ajuste-o. Se a vela de ignição encontrar-se entupida com carbono ou suja limpe-a completamente ou a substitua.

CUIDADO: Nunca toque a vela de ignição com o motor em funcionamento (perigo de choque de alta voltagem).



SUPRIMENTO DE GRAXA À CAIXA DE MUDANÇA

- Suprir graxa à caixa de engrenagem através do orifício da graxa a cada 30 horas. (Shell alvania número 2 ou equivalente). (Graxa MAKITA genuína pode ser adquirida com seu distribuidor MAKITA).



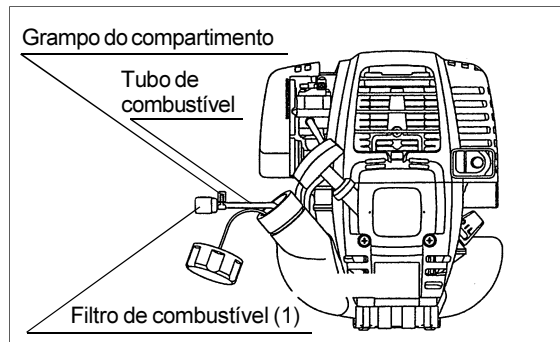
LIMPEZA DO FILTRO DE COMBUSTÍVEL

CUIDADO: PRODUTOS INFLAMÁVEIS ESTRITAMENTE PROIBIDOS

Intervalo de limpeza e inspeção (a cada 50 horas de funcionamento).

Cabeçote de sucção do tanque de combustível

- O filtro de feltro (1) do cabeçote de sucção é usado para filtrar o combustível necessário ao carburador.
- É necessária a inspeção visual periódica do filtro de combustível. Para isso, abra a tampa do tanque, use um gancho de arame e puxe para fora o cabeçote de sucção através da abertura do tanque. Filtros que estiverem endurecidos , contaminados ou entupidos deverão ser substituídos.
- O abastecimento insuficiente de combustível poderá resultar em uma ultrapassagem da velocidade máxima permitida. Portanto é importante substituir o filtro de combustível pelo menos trimestralmente à fim de assegurar o abastecimento satisfatório do carburador.



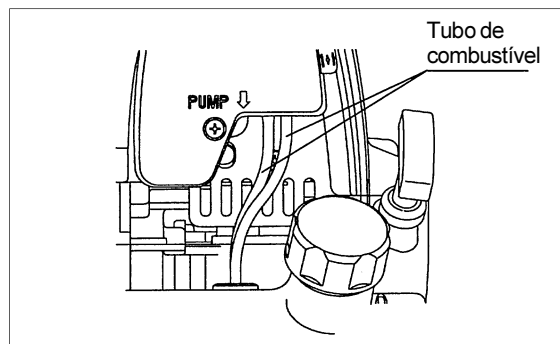
TROCA DO TUBO DE COMBUSTÍVEL

CUIDADO: PRODUTOS INFLAMÁVEIS ESTRITAMENTE PROIBIDOS

Intervalo de limpeza e inspeção: diárias (a cada 10 horas de funcionamento)

Troca: Anual (a cada 200 horas de funcionamento)

Troque o tubo de combustível todo ano independentemente de sua frequência de funcionamento. Vazamento de combustível poderá provocar incêndios. Se for detectado qualquer vazamento durante a inspeção, troque o tubo de combustível imediatamente.



INSPEÇÃO DE FERROLHOS, PORCAS E PARAFUSOS

- Aperte ferrolhos, porcas ou parafusos frouxos.
- Verifique a ocorrência de vazamento de óleo ou combustível.
- Substitua peças com danos por peças novas a fim de assegurar um funcionamento seguro.

LIMPEZA DE PEÇAS

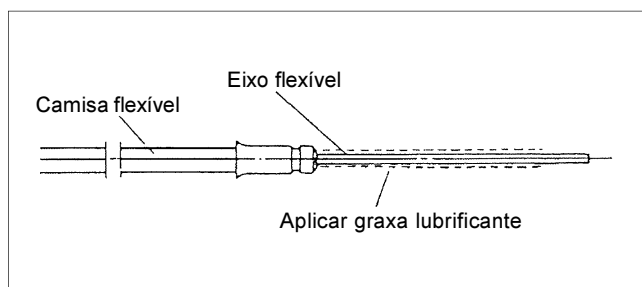
- Mantenha o motor sempre limpo.
- Mantenha as barbatanas do cilindro sem poeira ou sujeira. Poeira ou sujeira grudada no cilindro provocará problemas.

TROCA DE JUNTAS E ENCHIMENTOS

Ao remontar o motor após a desmontagem do mesmo, assegure-se de trocar as juntas e os enchimentos por juntas e enchimentos novos. Todo o trabalho de manutenção ou de ajuste que não esteja incluído neste manual deverá somente ser realizado por concessionárias de serviço autorizado.

FORNECIMENTO DE GRAXA AO EIXO FLEXÍVEL

- Remova o eixo flexível da camisa flexível a cada 20 horas, e aplique graxa lubrificante no eixo flexível.
- O eixo flexível pode quebrar se graxa lubrificante não for aplicada.



Todo o trabalho de manutenção ou de ajuste que não esteja incluído neste manual deverá somente ser realizado por agentes de serviço autorizado.

ARMAZENAGEM



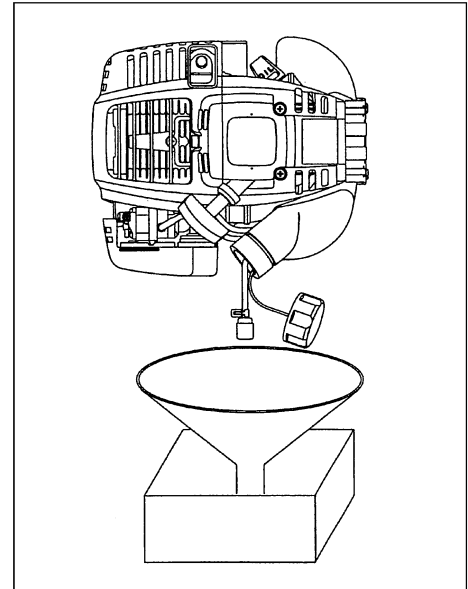
CUIDADO: Ao drenar o combustível, assegure-se de parar o motor e esperar que esfrie.

Logo após a parada do motor, ele pode ainda estar quente e isto pode causar queimaduras, e ocasionar inflamabilidade e então fogo.



ATENÇÃO: Ao deixar a máquina fora de operação por um longo período de tempo, drene todo o combustível do tanque de combustível e do carburador, e guarde-a em um lugar limpo e seco.

- Drene o combustível do tanque de combustível e do carburador de acordo com o procedimento seguinte:
 - 1) Remova a tampa do tanque de combustível e drene todo o combustível. Caso reste matéria estranha no tanque de combustível, remova-a por completo.
 - 2) Retire o filtro de combustível do porto de abastecimento por meio de um fio.
 - 3) Bombeie a bomba de escorva até que o combustível seja dela drenado, e drene o combustível que entra no tanque de combustível.
 - 4) Reinstale o filtro no tanque de combustível, e fixe firmemente a tampa do tanque de combustível.
 - 5) A seguir, continue a operar o motor até que pare.
- Remova a vela de ignição, e aplique-lhe algumas gotas de óleo para motor através do orifício da vela de ignição.
- Puxe a alavanca de arranque gentilmente para que o óleo para motor espalhe-se sobre o motor, e instale a vela de ignição.
- Fixe a tampa da lâmina de corte.
- Durante a armazenagem, guarde a vareta na posição horizontal, ou guarde a máquina na posição vertical com a borda da lâmina virada para cima (neste caso, tome muito cuidado para não deixar a máquina cair). Nunca guarde a máquina com a borda da lâmina do cortador virada para baixo. Isto pode ocasionar derramamento de óleo.
- Guarde o combustível drenado em um recipiente especial em um lugar à sombra e bem ventilado.



Cuidados após um longo período de armazenagem

- Antes do arranque após um longo período de armazenagem, certifique-se de trocar o óleo (vide página 90). O óleo deteriora durante o período em que a máquina fica fora de operação.

Localização de defeitos

Defeito	Sistema	Observações	Causa
O motor não arranca ou apresenta problemas	Sistema de ignição	Há a faísca de ignição Sem a faísca de ignição	deficiência no abastecimento de combustível ou compressão do sistema. Problema mecânico. O interruptor "STOP" encontra-se ligado, defeito nos cabos ou curto-circuito; vela de ignição ou conexão com defeito, ou módulo de ignição com problema
	Abastecimento de combustível	Tanque de combustível cheio	Posição incorreta do afogador, carburador com defeito ou tubo de abastecimento de combustível dobrado ou entupido, combustível sujo.
	Compressão	Sem compressão quando puxado	Junta do fundo do cilindro com defeito, selos da manivela danificados, cilindros ou anéis dos pistões com defeito
Problemas de aquecimento no arranque	Problema mecânico	O arranque não funciona	ou fechamento impróprio vela de ignição.
		Tanque cheio; há a faísca de ignição	Mola de arranque estragada, peças estragadas dentro do motor Carburador contaminado, limpe-o
O motor arranca mas para em seguida	Abastecimento de combustível	Tanque cheio	Ajuste incorreto da lenta, cabeça da sucção ou carburador contaminados Abertura do tanque de combustível com defeito, tubo de abastecimento de combustível interrompido, cabo ou interruptor "STOP" com defeito
Desempenho Insatisfatório	Vários sistemas podem estar apresentando problema ao mesmo tempo	Motor na lenta	Filtro de ar contaminado, carburador contaminado, silenciador entupido, canal de descarga no cilindro entupido

Item	Tempo de Funcionamento	Antes do uso	Após a lubrificação	Diariamente	30h	50h	200 horas	Parada/ intervalo	Página
Óleo de motor	Inspeção/limpeza	○							139
	Troca					○ ^{*1}			143
Apertando peças (arruelas, porcas)	Inspeção	○							145
Tanque de combustível	Inspeção/limpeza	○							—
	Retirada de combustível							○ ^{*3}	146
Alavanca do acelerador	Checagem do funcionamento		○						141
Interruptor "stop" (desligar)	Checagem do funcionamento		○						141
Lâmina de corte	Inspeção	○		○					138
Rotação de baixa velocidade	Inspeção/ajuste			○					142
Filtro de ar	Limpeza			○					144
Vela de ignição	Inspeção			○					144
Condutor de ar refrigerado	Inspeção/limpeza			○					145
Tubo de combustível	Inspeção			○					145
	Troca						◎ ^{*2}		—
Graxa da caixa de mudança	Reabastecimento				○				145
Filtro do combustível	Limpeza/reabastecimento					○			145
Abertura entre as válvulas de entrada e saída de ar	Ajuste						◎ ^{*2}		—
Tubo de óleo	Inspeção						◎ ^{*2}		
Revisão do motor							◎ ^{*2}		—
Carburador	Retirada de combustível							○ ^{*3}	146

*1 Realize a troca inicial após 20 horas de funcionamento

*2 Encarregue a realização da inspeção das 200 horas a um agente de serviço autorizado ou a uma oficina mecânica.

*3 Após esvaziar o tanque de combustível, continue com o motor em funcionamento e retire o combustível no carburador.

VERIFICAÇÃO DE PROBLEMAS

Antes de solicitar por reparos, verifique o problema por conta própria. Se encontrar qualquer anormalidade controle sua máquina de acordo com as explicações deste manual. Nunca manipule nem desmonte nenhuma parte ou peça contrário a explicações. Para consertos, contacte algum agente de serviço autorizado ou alguma concessionária local.

Estado de anormalidade	Causa provável (problema)	Como remediar
O motor não pega	A bomba de escorva não funciona	Empurre de 7 a 10 vezes
	Velocidade baixa ao puxar o cabo de arranque	Puxe com força
	Falta de combustível	Forneça combustível
	Filtro de combustível entupido	Limpe
	Tubo de combustível quebrado	Endireite o tubo de combustível
	Combustível deteriorado	Combustível deteriorado causa dificuldades no arranque (troca recomendada: 1 mês)
	Sucção excessiva de combustível	<p>Passa a alavanca do acelerador da velocidade média a velocidade alta e puxe o puxador de arranque até que o motor ligue.</p> <p>A lâmina de corte começa a girar assim que o motor arranca. Cuidado com a lâmina de corte.</p> <p>Se mesmo assim o motor não arrancar, retire a vela de ignição, seque os eletrodos e remonte-os da maneira original. Em seguida ligue novamente como especificado acima.</p>
	Cabeçote da vela solto	Prenda firme
	Vela de ignição contaminada	Limpe
	Abertura anormal da vela de ignição	Ajuste a abertura
	Outra anormalidade na vela de ignição	Troque
	Carburador anormal	Solicite inspeção e manutenção
	O cabo de arranque não pode ser puxado	Solicite inspeção e manutenção
Sistema de transmissão anormal	Solicite inspeção e manutenção	
O motor logo para A velocidade do motor não aumenta	Aquecimento insuficiente	Realize a operação de aquecimento
	A alavanca do afogador encontra-se posicionada em "CLOSE" (FECHAR) embora o motor esteja aquecido.	Posicione em "OPEN"
	Filtro de combustível entupido	Limpe
	Filtro de ar entupido ou contaminado	Limpe
	Carburador anormal	Solicite inspeção e manutenção
	Sistema de transmissão anormal	Solicite inspeção e manutenção
A lâmina de corte não gira ↓ Desligue imediatamente o motor	Porca de fixação da lâmina de corte frouxa	Aperte firme
	Varinhas presas pela lâmina de corte ou cobertura de prevenção dispersa.	Retire materiais estranhos
	Sistema de transmissão anormal	Solicite inspeção e manutenção
A unidade principal vibra de forma anormal ↓ Desligue imediatamente o motor	Lâmina de corte quebrada, torta ou gasta	Substitua a lâmina de corte
	Porca de fixação da lâmina de corte frouxa	Aperte firme
	Parte convexa da lâmina de corte suporte da lâmina de corte encaixando-se	Prenda firme
	Sistema de transmissão anormal	Solicite inspeção e manutenção
A lâmina de corte não para imediatamente ↓ Desligue o motor imediatamente	Rotação alta da lenta	Ajuste
	Cabo do acelerador solto	Prenda firme
	Sistema de transmissão anormal	Solicite inspeção e manutenção
O motor não desliga ↓ Ponha o motor na lenta, e posicione a alavanca do afogador em CLOSE (FECHAR)	Conexão solta	Prenda firme
	Sistema elétrico anormal	Solicite inspeção e manutenção

Quando o motor não ligar após o aquecimento:

Se não há nenhuma anormalidade que conste na lista, abra o acelerador por mais ou menos 1/3 e ligue o motor.

Makita Corporation

3-11-8, Sumiyoshi-cho,
Anjo, Aichi 446-8502, Japan