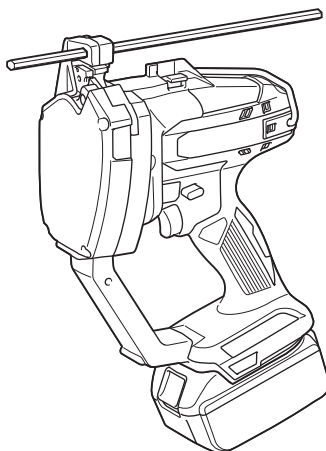




|    |  |                           |    |
|----|--|---------------------------|----|
| EN | Cordless Threaded Rod Cutter                     | INSTRUCTION MANUAL        | 7  |
| PL | Akumulatorowa Przecinarka do Prętów Gwintowanych | INSTRUKCJA OBSŁUGI        | 14 |
| HU | Akkumulátoros menetesrúd-vágó                    | HASZNÁLATI KÉZIKÖNYV      | 22 |
| SK | Akumulátorová rezačka závitových tyčí            | NÁVOD NA OBSLUHU          | 29 |
| CS | Akumulátorový stříhač závitových tyčí            | NÁVOD K OBSLUZE           | 36 |
| UK | Акумуляторний різак різьбових шпильок            | ІНСТРУКЦІЯ З ЕКСПЛУАТАЦІЇ | 43 |
| RO | Mașină de tăiat tije filetate cu acumulator      | MANUAL DE INSTRUCȚIUNI    | 51 |
| DE | Akku-Gewindestangenschneider                     | BETRIEBSANLEITUNG         | 58 |

## DSC102



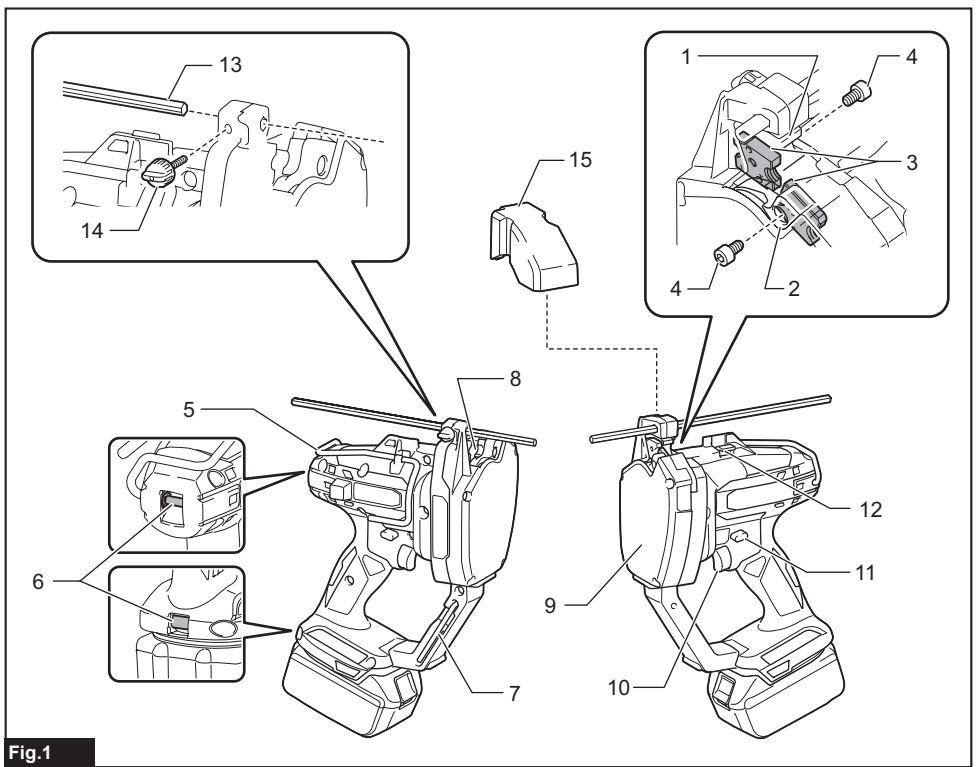


Fig. 1

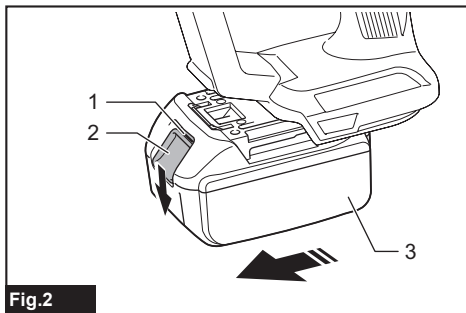


Fig. 2

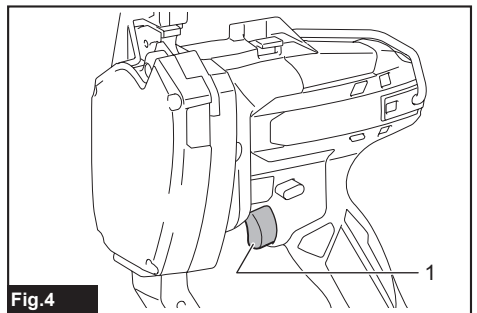


Fig. 4

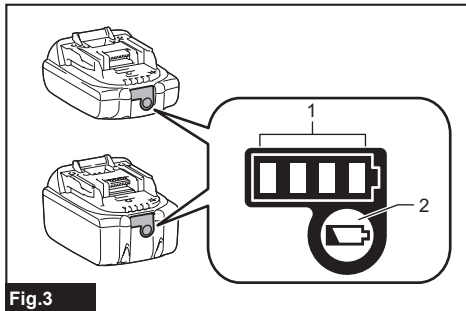


Fig. 3

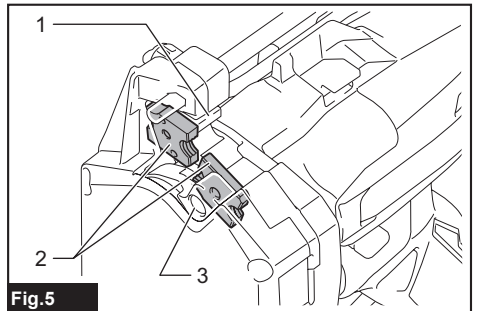
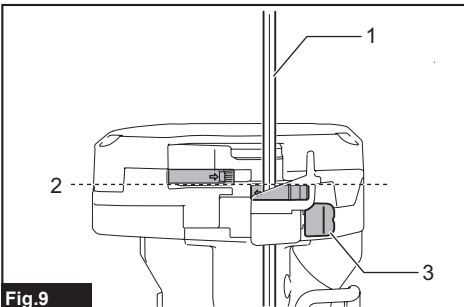
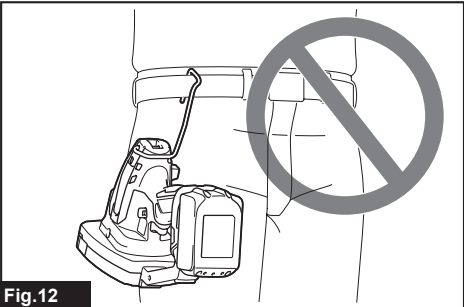
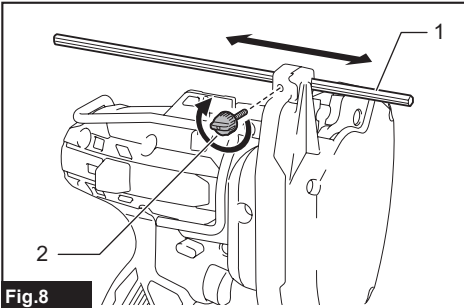
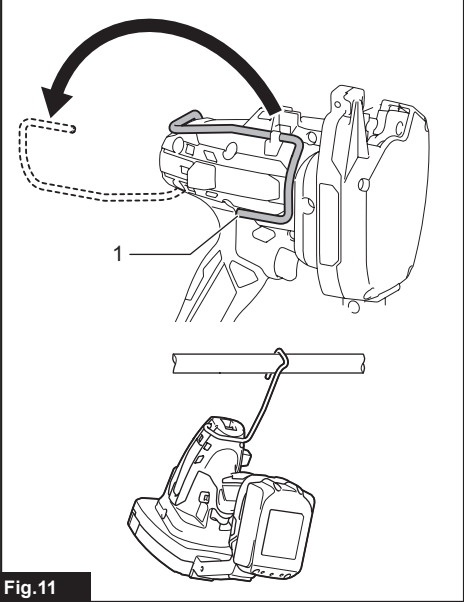
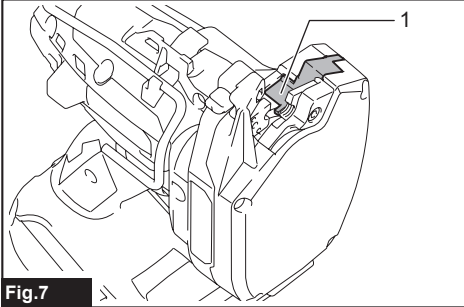
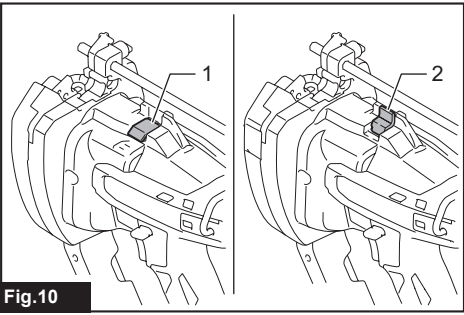
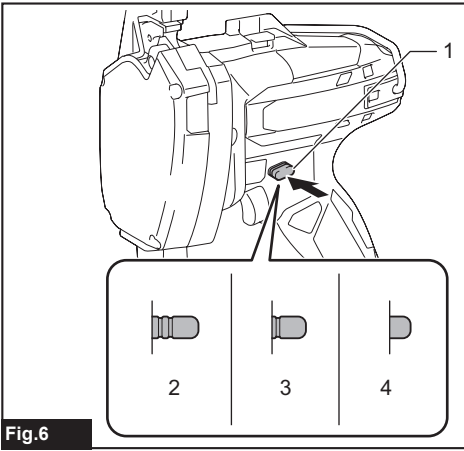


Fig. 5



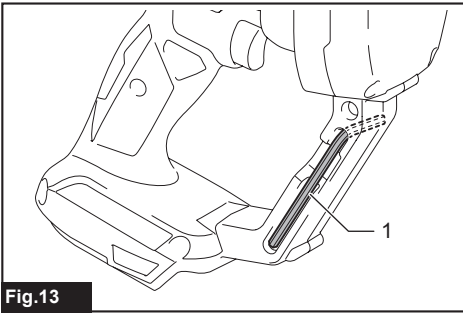


Fig.13

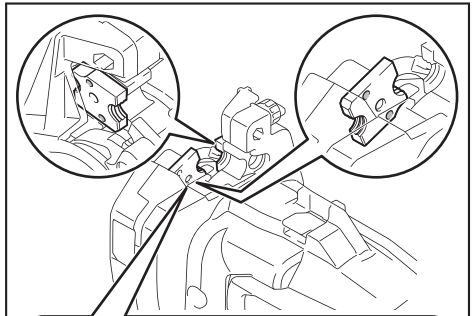


Fig.17

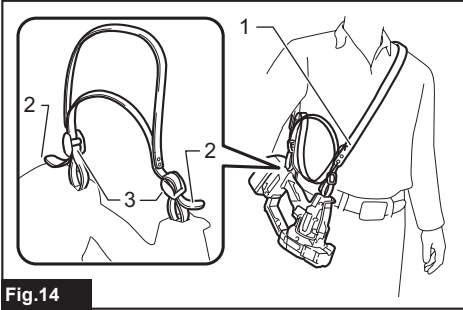


Fig.14

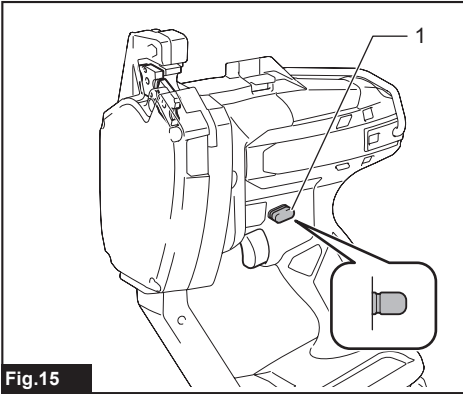


Fig.15

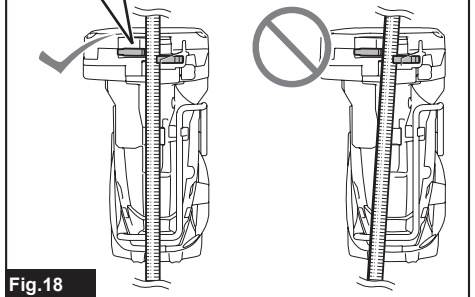
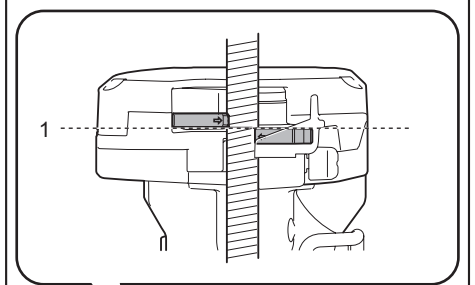


Fig.18

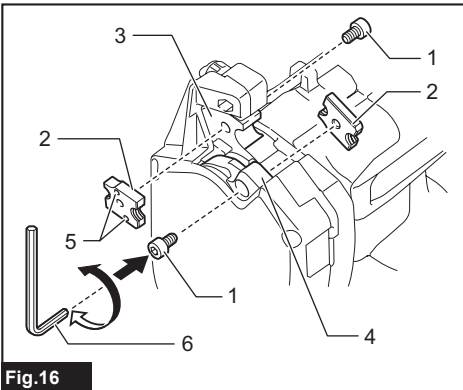


Fig.16

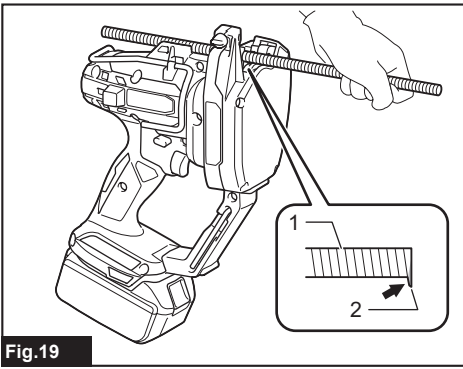


Fig. 19

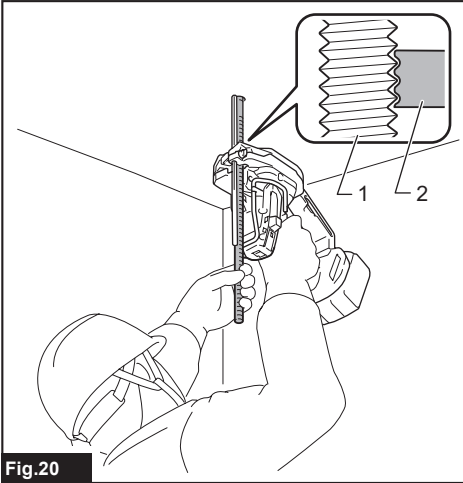


Fig. 20

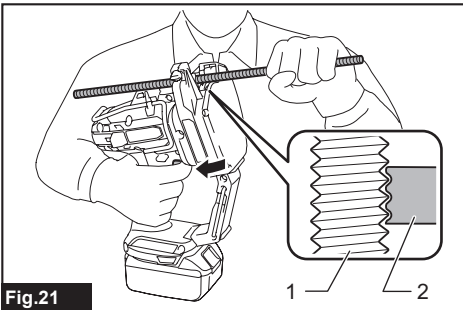


Fig. 21

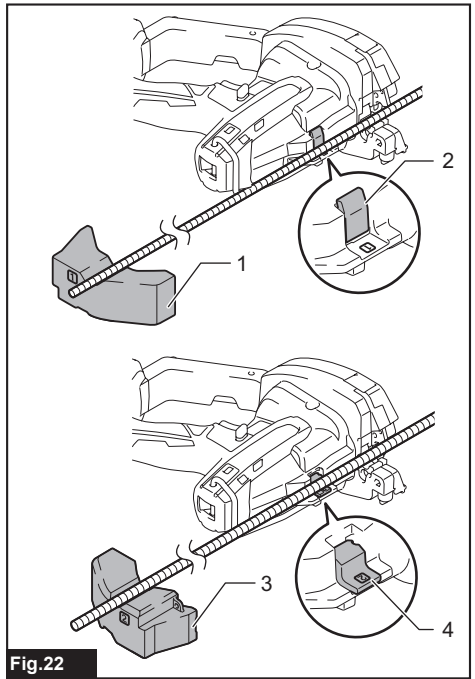


Fig. 22

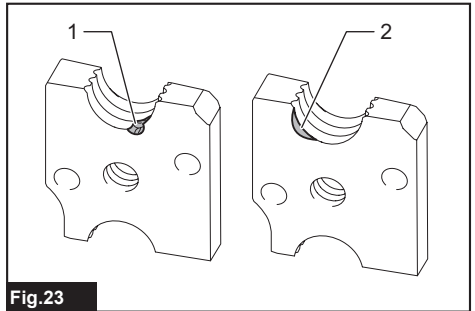


Fig. 23

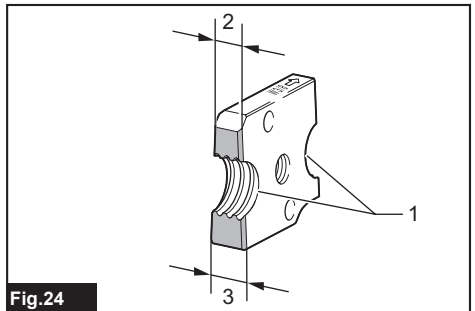
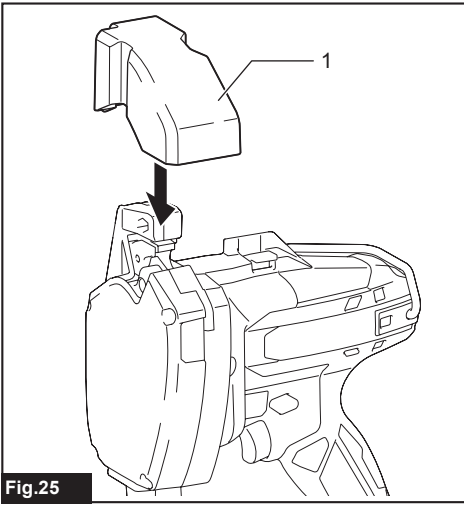


Fig. 24



**Fig.25**

# SPECIFICATIONS

| Model:             |                 | DSC102                   |
|--------------------|-----------------|--------------------------|
| Cutting capacities | Mild steel      | W3/8, M10, M8, M6        |
|                    | Stainless steel | W3/8, M8, M6             |
| Overall length     |                 | 199 mm                   |
| Rated voltage      |                 | D.C. 18 V<br>D.C. 14.4 V |
| Net weight         |                 | 2.8 - 3.2 kg             |

- Due to our continuing program of research and development, the specifications herein are subject to change without notice.
- Specifications may differ from country to country.
- The weight may differ depending on the attachment(s), including the battery cartridge. The lightest and heaviest combination, according to EPTA-Procedure 01/2014, are shown in the table.

## Applicable battery cartridge and charger

|                   |                  |   |
|-------------------|------------------|---|
| Battery cartridge | D.C.14.4 V Model | BL1415N / BL1430 / BL1430B / BL1440 / BL1450 / BL1460B  |
|                   | D.C.18 V Model   | BL1815N / BL1820 / BL1820B / BL1830 / BL1830B / BL1840 / BL1840B / BL1850 / BL1850B / BL1860B |
| Charger           |                  | DC18RC / DC18RD / DC18RE / DC18SD / DC18SE / DC18SF   |

- Some of the battery cartridges and chargers listed above may not be available depending on your region of residence.

**⚠ WARNING: Only use the battery cartridges and chargers listed above.** Use of any other battery cartridges and chargers may cause injury and/or fire.

## Symbols

The following show the symbols used for the equipment. Be sure that you understand their meaning before use.

|  |  |
|--|--|
|    | Read instruction manual.   |
|   | Wear safety glasses.   |
|  | Do not touch the cutting dice during operation.  |
|  | Pay attention to a cut threaded rod.   |
|  | Do not close your face to the tool during operation.   |
|  | Only for EU countries<br>Do not dispose of electric equipment or battery pack together with household waste material!<br>In observance of the European Directives, on Waste Electric and Electronic Equipment and Batteries and Accumulators and Waste Batteries and Accumulators and their implementation in accordance with national laws, electric equipment and batteries and battery pack(s) that have reached the end of their life must be collected separately and returned to an environmentally compatible recycling facility. |

## Intended use

The tool is intended for cutting threaded rods.

## Noise

The typical A-weighted noise level determined according to EN62841:

Sound pressure level ( $L_{pA}$ ): 71 dB(A)

Uncertainty (K): 3 dB(A)

The noise level under working may exceed 80 dB (A).

**⚠ WARNING: Wear ear protection.**

## Vibration

The vibration total value (tri-axial vector sum) determined according to EN62841:

Work mode: cutting threaded stainless steel rod (rod size W3/8)

Vibration emission ( $a_h$ ): 2.5 m/s<sup>2</sup> or less

Uncertainty (K): 1.5 m/s<sup>2</sup>

**NOTE:** The declared vibration emission value has been measured in accordance with the standard test method and may be used for comparing one tool with another.

**NOTE:** The declared vibration emission value may also be used in a preliminary assessment of exposure.

**⚠️WARNING:** The vibration emission during actual use of the power tool can differ from the declared emission value depending on the ways in which the tool is used.

**⚠️WARNING:** Be sure to identify safety measures to protect the operator that are based on an estimation of exposure in the actual conditions of use (taking account of all parts of the operating cycle such as the times when the tool is switched off and when it is running idle in addition to the trigger time).

## EC Declaration of Conformity

### For European countries only

The EC declaration of conformity is included as Annex A to this instruction manual.

# SAFETY WARNINGS

## General power tool safety warnings

**⚠️WARNING:** Read all safety warnings, instructions, illustrations and specifications provided with this power tool. Failure to follow all instructions listed below may result in electric shock, fire and/or serious injury.

## Save all warnings and instructions for future reference.

The term "power tool" in the warnings refers to your mains-operated (corded) power tool or battery-operated (cordless) power tool.

## Cordless threaded rod cutter safety warnings

1. **Hold the tool firmly.**
2. **Secure the workpiece firmly.**
3. **Keep your face and hands away from moving parts.** During cutting, the fraction of the threaded rod may fly off.
4. **Always wear gloves when handling threaded rods.** Edges and chips of the workpiece are sharp.
5. **Do not put the tool on the chips of the workpiece. Otherwise it can cause damage and trouble on the tool.**
6. **Always be sure you have a firm footing. Be sure no one is below when using the tool in high locations.**
7. **Do not touch the cutting edge or the workpiece immediately after operation; they may be extremely hot and could burn your skin.**
8. **Avoid cutting electrical wires. It can cause serious accident by electric shock.**
9. **Always hold the threaded rod during and after cutting to prevent the cut threaded rod from falling off.** A cut threaded rod may cause serious personal injury if fallen off from a high location.

10. **Keep a safe distance between your body and the moving parts. Do not operate the tool if the working area is too narrow to keep a safe distance.**
11. **Never leave the tool on a high location or a potentially unstable surface.**

## SAVE THESE INSTRUCTIONS.

**⚠️WARNING:** DO NOT let comfort or familiarity with product (gained from repeated use) replace strict adherence to safety rules for the subject product.

MISUSE or failure to follow the safety rules stated in this instruction manual may cause serious personal injury.

## Important safety instructions for battery cartridge

1. **Before using battery cartridge, read all instructions and cautionary markings on (1) battery charger, (2) battery, and (3) product using battery.**
2. **Do not disassemble battery cartridge.**
3. **If operating time has become excessively shorter, stop operating immediately. It may result in a risk of overheating, possible burns and even an explosion.**
4. **If electrolyte gets into your eyes, rinse them out with clear water and seek medical attention right away. It may result in loss of your eyesight.**
5. **Do not short the battery cartridge:**
  - (1) **Do not touch the terminals with any conductive material.**
  - (2) **Avoid storing battery cartridge in a container with other metal objects such as nails, coins, etc.**
  - (3) **Do not expose battery cartridge to water or rain.**

A battery short can cause a large current flow, overheating, possible burns and even a breakdown.

6. **Do not store the tool and battery cartridge in locations where the temperature may reach or exceed 50 °C (122 °F).**
7. **Do not incinerate the battery cartridge even if it is severely damaged or is completely worn out. The battery cartridge can explode in a fire.**
8. **Be careful not to drop or strike battery.**
9. **Do not use a damaged battery.**
10. **The contained lithium-ion batteries are subject to the Dangerous Goods Legislation requirements.**

For commercial transports e.g. by third parties, forwarding agents, special requirement on packaging and labeling must be observed. For preparation of the item being shipped, consulting an expert for hazardous material is required. Please also observe possibly more detailed national regulations.

Tape or mask off open contacts and pack up the battery in such a manner that it cannot move around in the packaging.



11. Follow your local regulations relating to disposal of battery.
12. Use the batteries only with the products specified by Makita. Installing the batteries to non-compliant products may result in a fire, excessive heat, explosion, or leak of electrolyte.

## SAVE THESE INSTRUCTIONS.

**⚠ CAUTION:** Only use genuine Makita batteries. Use of non-genuine Makita batteries, or batteries that have been altered, may result in the battery bursting causing fires, personal injury and damage. It will also void the Makita warranty for the Makita tool and charger.

## Tips for maintaining maximum battery life

1. Charge the battery cartridge before completely discharged. Always stop tool operation and charge the battery cartridge when you notice less tool power.
2. Never recharge a fully charged battery cartridge. Overcharging shortens the battery service life.
3. Charge the battery cartridge with room temperature at 10 °C - 40 °C (50 °F - 104 °F). Let a hot battery cartridge cool down before charging it.
4. Charge the battery cartridge if you do not use it for a long period (more than six months).

## PARTS DESCRIPTION

► Fig.1

|    |                  |    |  |    |                        |    |               |
|----|------------------|----|--|----|------------------------|----|---------------|
| 1  | Stationary mount | 2  | Movable mount                                | 3  | Cutting die            | 4  | Bolt          |
| 5  | Hook             | 6  | Shoulder strap base (for optional accessory) | 7  | Hex Wrench             | 8  | Lamp (inside) |
| 9  | Front face       | 10 | Switch trigger                               | 11 | Reversing switch lever | 12 | Rod guide     |
| 13 | Guide scale      | 14 | Clamping screw                               | 15 | Cover                  | -  | -             |

## FUNCTIONAL DESCRIPTION

**⚠ CAUTION:** Always be sure that the tool is switched off and the battery cartridge is removed before adjusting or checking function on the tool.

### Installing or removing battery cartridge

**⚠ CAUTION:** Always switch off the tool before installing or removing of the battery cartridge.

**⚠ CAUTION:** Hold the tool and the battery cartridge firmly when installing or removing battery cartridge. Failure to hold the tool and the battery cartridge firmly may cause them to slip off your hands and result in damage to the tool and battery cartridge and a personal injury.

► Fig.2: 1. Red indicator 2. Button 3. Battery cartridge

To remove the battery cartridge, slide it from the tool while sliding the button on the front of the cartridge.

To install the battery cartridge, align the tongue on the battery cartridge with the groove in the housing and slip it into place. Insert it all the way until it locks in place with a little click. If you can see the red indicator on the upper side of the button, it is not locked completely.

**⚠ CAUTION:** Always install the battery cartridge fully until the red indicator cannot be seen. If not, it may accidentally fall out of the tool, causing injury to you or someone around you.

**⚠ CAUTION:** Do not install the battery cartridge forcibly. If the cartridge does not slide in easily, it is not being inserted correctly.

### Tool / battery protection system

The tool is equipped with a tool/battery protection system. This system automatically cuts off power to the motor to extend tool and battery life. The tool will automatically stop during operation if the tool or battery is placed under one of the following conditions.

### Overload protection

When the tool is operated in a manner that causes it to draw an abnormally high current, the tool automatically stops without any indication. In this situation, turn the tool off and stop the application that caused the tool to become overloaded. Then turn the tool on to restart.

**NOTE:** Overload protection activates when you try to cut the following kinds of threaded rods.

- A threaded rod which is larger than the cutting dice size.
- A threaded rod which is harder than the cutting capacity of the cutting dice.

## Overheat protection

When the tool is overheated, the tool automatically stops and the LED light will blink. Let the tool cool down before turning the tool on again.

## Overdischarge protection















When the battery capacity becomes low, the tool stops automatically. If the product does not operate even when the switches are operated, remove the batteries from the tool and charge the batteries.

### Indicating the remaining battery capacity

**Only for battery cartridges with the indicator**

► **Fig.3:** 1. Indicator lamps 2. Check button

Press the check button on the battery cartridge to indicate the remaining battery capacity. The indicator lamps light up for a few seconds.

| Indicator lamps   |   |  | Remaining capacity                  |
|---|---|--|-------------------------------------|
|  Lighted   |  Off |  Blinking |                                     |
|    |   |  | 75% to 100%                         |
|    |      |  | 50% to 75%                          |
|    |      |  | 25% to 50%                          |
|    |      |  | 0% to 25%                           |
|    |      |  | Charge the battery.                 |
| <br>↑ ↓<br> |   |  | The battery may have malfunctioned. |

**NOTE:** Depending on the conditions of use and the ambient temperature, the indication may differ slightly from the actual capacity.

## Switch action

**CAUTION:** Before installing the battery cartridge into the tool, always check to see that the switch trigger actuates properly and returns to the "OFF" position when released.

To start the cutting operation, continue to pull the switch trigger. The cutting die on the movable mount will overlap with the die on the stationary mount and then returns. If you release the switch trigger before completing the cut, the cutting dice will stop.

► **Fig.4:** 1. Switch trigger

► **Fig.5:** 1. Stationary mount 2. Cutting die 3. Movable mount

**NOTICE:** Do not operate the tool at no-load unnecessarily.

## Auto-stop function

When you continue to pull the switch trigger, the jaw of the dice once closes and returns to fully opened position then stops. Release the trigger and pull it again to begin the next cutting sequence.

### Reversing switch lever

**WARNING:** When not operating the tool, always set the reversing switch lever to the lock position.

**CAUTION:** Always make sure the position of the reversing switch lever before operating.

**NOTICE:** Do not move the reversing switch lever when the switch trigger is being pulled. This may cause a damage to the tool.

To start the cutting operation, set the reversing switch lever to cutting position.

To reverse the cutting sequence, set the reversing switch lever to the reversing position. When you continue to pull the switch trigger, the jaw of the cutting dice opens and stops at fully opened position.

To lock the switch trigger, set the reversing switch lever to the lock position. The switch trigger cannot be pulled in this position.

► **Fig.6:** 1. Reversing switch lever 2. Cutting position 3. Lock position 4. Reversing position

**NOTICE:** When the reversing switch lever is in the reversing position, run the tool only as needed. To prevent the damage to the tool, the tool will automatically stops when it is run in the reversing position continuously.

**NOTE:** After cutting, if you release the switch trigger while the jaw of the cutting dice is opening and then set the reversing switch lever to the reversing position, the jaw will once close and then open when you pull the switch trigger again.

## LED light

**CAUTION:** Do not look in the light or see the source of light directly.

Pull the switch trigger to light up the lamp. The lamp keeps on lighting while the switch trigger is being pulled. The lamp goes out approximately 15 seconds after releasing the switch trigger.

► **Fig.7:** 1. Lamp (inside)

**NOTE:** Use a dry cloth to wipe the dirt off the lens of the lamp. Be careful not to scratch the lens of lamp, or it may lower the illumination.

**NOTE:** When the tool is overheated, the lamp will blink. Let the tool cool down in this case.

## Guide scale

Use the guide scale if you wish to cut threaded rods in the same length. Insert the guide scale into the hole as shown in the figure.

► **Fig.8:** 1. Guide scale 2. Clamping screw

Align the value of your desired length on the guide scale with the cutting line. Then tighten the clamping screw.

► **Fig.9:** 1. Guide scale 2. Cutting line 3. Clamping screw

**CAUTION:** Do not hold the guide scale to carry or handle the tool. The tool may fall off and cause personal injury and/or damage to the tool.

## Rod guide

For a precise cutting, set the rod guide in position depending on the diameter of the threaded rod to be cut.

► **Fig.10:** 1. Rod guide (Position 1) 2. Rod guide (Position 2)

There are two rod guide positions.

| Position | Size of threaded rod |
|----------|----------------------|
| 1        | W3/8, M10            |
| 2        | M8, M6               |

## Hook

**CAUTION:** Never hook the tool on a windy location or a potentially unstable surface.

**CAUTION:** Do not use the hook when it is deformed or damaged.

**CAUTION:** When not operating the tool, always fold the hook.

The hook is convenient for hanging the tool temporarily.

► **Fig.11:** 1. Hook

**CAUTION:** Do not hang the hook from the waist belt. It may result in personal injuries and/or damage to the tool if dropped.

► **Fig.12**

## Hex wrench storage

When not in use, store the hex wrench as shown in the figure to keep it from being lost.

► **Fig.13:** 1. Hex wrench

## Shoulder strap

### Optional accessory

Shoulder strap is useful for carrying the tool.

► **Fig.14:** 1. Shoulder strap 2. Belt end 3. Buckle

**CAUTION:** Always wear the shoulder strap crossed over your body and adjusted in proper length.

**CAUTION:** Do not use the shoulder strap if it is damaged.

**CAUTION:** Leave an sufficient length between the buckle and belt end to prevent the belt end from slipping through the buckle.

## ASSEMBLY

**CAUTION:** Always be sure that the tool is switched off and the battery cartridge is removed before carrying out any work on the tool.

### Installing the cutting dice

**CAUTION:** Always install the cutting dice in the correct directions and secured firmly. Incorrect or loose attachment may cause breakage of the cutting dice, resulting personal injury by flown off fractions.

**NOTICE:** Remove the burr on the cutting dice using a file if any.

1. Check if the jaw of the cutting dice is fully opened. If not, install the battery and pull the switch trigger until the jaw is fully opened.

**CAUTION:** Be sure to remove the battery cartridge if you installed.

2. Set the reversing switch lever to the lock position.  
► **Fig.15:** 1. Reversing switch lever

3. Unscrew the bolts with the supplied hex wrench.

**CAUTION:** Use only the Makita wrench provided with the tool. Using other wrenches may result in overtightening or insufficient tightening which causes personal injury.

4. Set the cutting dice onto the mounts so that the two colored markings can be seen.

► **Fig.16:** 1. Bolt 2. Cutting die 3. Stationary mount  
4. Movable mount 5. Colored marking  
6. Hex wrench

5. Secure the cutting dice with the bolts firmly.

The cutting dice are correctly installed if the arrows on them point each other. The dimensions of the cutting dice are the same but their thickness look different when seen from above.

► **Fig.17:** 1. Arrow 2. Cutting die 3. Thin side 4. Thick side

# OPERATION

**CAUTION:** Make sure that the correct size of the cutting dice are installed to the tool. Check the cutting capacity written on the the cutting dice before cutting.

**CAUTION:** Before pulling the switch trigger, be sure to set the threaded rod so that its thread fits with those of cutting dice. Incorrect alignment of the threads may break the cutting dice and cause personal injury by flown off fractions.

**CAUTION:** Replace the cutting dice if the cutting edge is chipped or deformed.

When cutting, place the threaded rod perpendicular to the cutting line as shown in the figure.

► **Fig.18:** 1. Cutting line

**NOTE:** When cutting a threaded rod made of ductile metal such as stainless steel, burrs may be generated on the cut end. Remove burrs with a file in this case.

► **Fig.19:** 1. Threaded rod 2. Burr

## Cutting secured threaded rods

When cutting a threaded rod which is secured to the building structure such as the ceiling, wall, floor, etc., follow the procedure below :

► **Fig.20:** 1. Threaded rod 2. Cutting die on the stationary mount

1. Bring the tool so that the threaded rod is positioned between the cutting dice.
2. While the threaded rod contacting with the rod guide, fit the thread of the rod with that of the cutting die on the stationary mount.
3. Pull and hold the switch trigger until the cutting is finished and the jaw of the cutting dice comes to fully opened position.

**NOTICE:** Clean the front face of the tool and the tip of the guide scale before operation. They may dirty the contacting surface.

## Cutting loose threaded rods

When cutting a loose threaded rod on the floor or a work table, follow the procedure below :

► **Fig.21:** 1. Threaded rod 2. Cutting die on the stationary mount

1. Position a threaded rod between the cutting dice.
2. While the threaded rod contacting with the rod guide, fit the thread of the rod with that of the cutting die on the stationary mount.
3. Pull and hold the switch trigger until the cutting is finished and the jaw of the cutting dice comes to fully opened position.

When cutting a long threaded rod which is hard to hold by hand, place the tool as illustrated. The tool can be placed flat. The cover also can be used for supporting the end of the threaded rod.

► **Fig.22:** 1. Cover (Position 1) 2. Rod guide (Position 1) 3. Cover (Position 2) 4. Rod guide (Position 2)

The cover has markings to indicate its position. Depending on the size of the threaded rod, put the cover in the position as shown in the table as well as the rod guide.

| Position | Size of threaded rod |
|----------|----------------------|
| 1        | W3/8, M10            |
| 2        | M8, M6               |

## Quitting the cutting in the middle

**CAUTION:** Never try to pull out the tool forcibly from the threaded rod. It may cause unexpected start up which cause personal injury or damage to the cutting dice and tool.

When quitting the cutting in the middle, set the reversing switch lever to the reversing position and pull the switch trigger until the threaded rod is completely released from the cutting dice.

# MAINTENANCE

**CAUTION:** Always be sure that the tool is switched off and the battery cartridge is removed before attempting to perform inspection or maintenance.

**NOTICE:** Never use gasoline, benzine, thinner, alcohol or the like. Discoloration, deformation or cracks may result.

## Replacing the cutting dice

**NOTICE:** Replace the both cutting dice at the same time. Replacing the one side of the cutting die may generate burr on the threaded rod.

Replace the cutting dice when it is chipped, deformed, or the cutting gets dull. To replace, follow the instructions in "Installing the cutting dice".

► **Fig.23:** 1. Chipping 2. Deformation

One cutting die has two cutting edges and thick side and thin side. Switch the installation positions of the cutting dice if you have not used the other sides of the cutting edges.

► **Fig.24:** 1. Cutting edge 2. Thin side 3. Thick side

## Carrying/storing the tool

**⚠ CAUTION:** When the tool is not used, always attach the supplied cover to the cutting portion.

Attach the cover when carrying the tool.

When storing the tool, remove the battery cartridge and the guide scale from the tool. Clean dust on the cutting dice and the moving part. After that, attach the cover.

► **Fig.25:** 1. Cover

To maintain product SAFETY and RELIABILITY, repairs, any other maintenance or adjustment should be performed by Makita Authorized or Factory Service Centers, always using Makita replacement parts.

## OPTIONAL ACCESSORIES

**⚠ CAUTION:** These accessories or attachments are recommended for use with your Makita tool specified in this manual. The use of any other accessories or attachments might present a risk of injury to persons. Only use accessory or attachment for its stated purpose.

If you need any assistance for more details regarding these accessories, ask your local Makita Service Center.

- Cutting dice
- Shoulder strap
- Makita genuine battery and charger

**NOTE:** Some items in the list may be included in the tool package as standard accessories. They may differ from country to country.

## DANE TECHNICZNE

|                     |                 |                                      |
|---------------------|-----------------|--------------------------------------|
| <b>Model:</b>       |                 | <b>DSC102</b>                        |
| Zdolność cięcia     | Stal miękka     | W3/8, M10, M8, M6                    |
|                     | Stal nierdzewna | W3/8, M8, M6                         |
| Długość całkowita   |                 | 199 mm                               |
| Napięcie znamionowe |                 | Prąd stały 18 V<br>Prąd stały 14,4 V |
| Ciężar netto        |                 | 2,8 - 3,2 kg                         |

- W związku ze stale prowadzonym przez naszą firmę programem badawczo-rozwojowym niniejsze dane mogą ulec zmianom bez wcześniejszego powiadomienia.
- Dane techniczne mogą różnić się w zależności od kraju.
- Masa może być różna w zależności od osprzętu, w tym akumulatora. W tabeli przedstawiona jest najlżejsza i najcięższa konfiguracja, zgodnie z procedurą EPTA 01/2014.

## Kompatybilne akumulatory i ładowarki






|            |                          |   |
|------------|--------------------------|---|
| Akumulator | Model 14,4 V, prąd stały | BL1415N / BL1430 / BL1430B / BL1440 / BL1450 / BL1460B  |
|            | Model 18 V, prąd stały   | BL1815N / BL1820 / BL1820B / BL1830 / BL1830B / BL1840 / BL1840B / BL1850 / BL1850B / BL1860B |
| Ładowarka  |                          | DC18RC / DC18RD / DC18RE / DC18SD / DC18SE / DC18SF   |

- Pewne z wymienionych powyżej akumulatorów i ładowarek mogą być niedostępne w regionie zamieszkania użytkownika.

**⚠ OSTRZEŻENIE:** Należy używać wyłącznie akumulatorów i ładowarek wymienionych powyżej. Używanie innych akumulatorów i ładowarek może stwarzać ryzyko wystąpienia obrażeń ciała lub pożaru.

## Symbole

Poniżej pokazano symbole zastosowane na urządzeniu. Przed rozpoczęciem użytkowania należy zapoznać się z ich znaczeniem.

|  |   |
|--|---|
|   | Przeczytać instrukcję obsługi.  |
|  | Nosić okulary ochronne.   |
|  | Podczas pracy narzędzia nie należy dotykać ostrzy tnących.                |
|  | Należy zachować ostrożność i zwracać uwagę na przecinany pręt gwintowany. |
|  | Nie zbliżać twarzy do narzędzia podczas jego pracy.                       |



Dotyczy tylko państw UE  
Nie wyrzucać urządzeń elektrycznych ani akumulatorów wraz z odpadami z gospodarstwa domowego!  
Zgodnie z dyrektywami europejskimi w sprawie zużytego sprzętu elektrycznego i elektronicznego oraz baterii i akumulatorów oraz zużytych baterii i akumulatorów, a także dostosowaniem ich do prawa krajowego, zużyte urządzenia elektryczne, baterie i akumulatory, należy składować osobno i przekazywać do zakładu recyklingu działającego zgodnie z przepisami dotyczącymi ochrony środowiska.

## Przeznaczenie

Narzędzie jest przeznaczone do przecinania prętów gwintowanych.

## Hałas

Typowy równoważny poziom dźwięku A określony w oparciu o normę EN62841:  
Poziom ciśnienia akustycznego ( $L_{pA}$ ): 71 dB(A)  
Niepewność (K): 3 dB(A)  
Poziom hałasu podczas pracy może przekraczać 80 dB (A).

**⚠ OSTRZEŻENIE:** Nosić ochronniki słuchu.

## Drgania

Całkowita wartość poziomu drgań (suma wektorów w 3 osiach) określona zgodnie z normą EN62841:

Tryb pracy: cięcie pręta gwintowanego ze stali nierdzewnej (średnica pręta W3/8)

Emisja drgań ( $a_{h1}$ ): 2,5 m/s<sup>2</sup> lub mniej

Niepewność (K): 1,5 m/s<sup>2</sup>

**WSKAZÓWKA:** Deklarowana wartość wytwarzanych drgań została zmierzona zgodnie ze standardową metodą testową i można ją wykorzystać do porównywania narzędzi.

**WSKAZÓWKA:** Deklarowaną wartość wytwarzanych drgań można także wykorzystać we wstępnej ocenie narażenia.

**⚠️ OSTRZEŻENIE:** Drgania wytwarzane podczas rzeczywistego użytkowania elektronarzędzia mogą się różnić od wartości deklarowanej, w zależności od sposobu jego użytkowania.

**⚠️ OSTRZEŻENIE:** W oparciu o szacowane narażenie w rzeczywistych warunkach użytkowania należy określić środki bezpieczeństwa w celu ochrony operatora (uwzględniając wszystkie elementy cyklu działania, tj. czas, kiedy narzędzie jest wyłączone i kiedy pracuje na biegu jałowym, a także czas, kiedy jest włączone).

## Deklaracja zgodności WE

*Dotyczy tylko krajów europejskich*

Deklaracja zgodności WE jest dołączona jako załącznik A do niniejszej instrukcji obsługi.

## OSTRZEŻENIA DOTYCZĄCE BEZPIECZEŃSTWA

### Ogólne zasady bezpiecznej eksploatacji elektronarzędzi

**⚠️ OSTRZEŻENIE:** Należy zapoznać się z ostrzeżeniami dotyczącymi bezpieczeństwa, instrukcjami, ilustracjami i danymi technicznymi dołączonymi do tego elektronarzędzia. Niezastosowanie się do podanych poniżej instrukcji może prowadzić do porażenia prądem, pożaru i/lub poważnych obrażeń ciała.

### Wszystkie ostrzeżenia i instrukcje należy zachować do wykorzystania w przyszłości.

Pojęcie „elektonarzędzie”, występujące w wymienionych tu ostrzeżeniach, odnosi się do elektronarzędzia zasilanego z sieci elektrycznej (z przewodem zasilającym) lub do elektronarzędzia akumulatorowego (bez przewodu zasilającego).

## Ostrzeżenia dotyczące bezpieczeństwa dla akumulatorowej przecinarki do prętów gwintowanych

1. Narzędzie należy trzymać mocno i pewnie.
2. Solidnie zamocować obrabiany element.
3. Trzymać twarz i dłoń z daleka od części ruchomych. Podczas cięcia część pręta gwintowanego może zostać wyrzucona w powietrze.
4. Podczas wykonywania czynności wymagających kontaktu z prętami gwintowanymi należy nosić rękawice ochronne. Krawędzie obrabianego elementu i wióry są ostre.
5. Narzędzia nie należy umieszczać na wórach z obrabianego elementu. Nieprzestrzeganie tego zalecenia może spowodować uszkodzenia i problemy z działaniem narzędzia.
6. Podczas pracy należy zadbać o stabilne oparcie dla nóg. W przypadku pracy na wysokości upewnić się, że na dole nie przebywają żadne osoby.
7. Zaraz po zakończeniu pracy nie wolno dotykać krawędzi tnącej ani obrabianego elementu. Mogą one być bardzo gorące i spowodować poparzenia skóry.
8. Należy unikać przecinania przewodów elektrycznych. Przecinanie takich przewodów może spowodować porażenie prądem elektrycznym.
9. Pręt gwintowany należy przytrzymywać podczas cięcia, a także po cięciu, aby uniemożliwić jego odpadnięcie. Przecięty pręt gwintowany może spowodować poważne obrażenia, jeśli spadnie z dużej wysokości.
10. Operator narzędzia powinien utrzymywać ruchome części narzędzia w bezpiecznej odległości od swojego ciała. Narzędzia nie należy używać, jeśli ilość przestrzeni w miejscu pracy jest niewystarczająca do zachowania bezpiecznej odległości.
11. Nigdy nie należy zostawiać narzędzia wysoko ani na potencjalnie niestabilnej powierzchni.

## ZACHOWAĆ NINIEJSZE INSTRUKCJE.

**⚠️ OSTRZEŻENIE:** NIE WOLNO pozwolić, aby wygoda lub rutyna (nabyta w wyniku wielokrotnego używania urządzenia) zastąpiły ściśle przestrzeganie zasad bezpieczeństwa obsługi.

**NIEWŁAŚCIWE UŻYTKOWANIE** narzędzia lub niestosowanie się do zasad bezpieczeństwa podanych w niniejszej instrukcji obsługi może prowadzić do poważnych obrażeń ciała.

## Ważne zasady bezpieczeństwa dotyczące akumulatora

1. Przed użyciem akumulatora zapoznać się ze wszystkimi instrukcjami i znakami ostrzegawczymi na (1) ładowarce, (2) akumulatorze i (3) produkcie, w którym będzie używany akumulator.
2. Akumulatora nie wolno rozbierać.
3. Jeśli czas działania uległ znacznemu skróceniu, należy natychmiast przerwać pracę. Może bowiem dojść do przegrzania, ewentualnych poparzeń, a nawet eksplozji.
4. W przypadku przedostania się elektrolitu do oczu, przemyć je czystą wodą i niezwłocznie uzyskać pomoc lekarską. Może on bowiem spowodować utratę wzroku.
5. Nie doprowadzać do zwarcia akumulatora:
  - (1) Nie dotykać styków materiałami przewodzącymi prąd.
  - (2) Unikać przechowywania akumulatora w pojemniku z metalowymi przedmiotami, takimi jak gwoździe, monety itp.
  - (3) Chronić akumulator przed deszczem lub wodą.

Zwarcie prowadzi do przepływu prądu elektrycznego o dużym natężeniu i przegrzania akumulatora, co w konsekwencji może grozić poparzeniami a nawet awarią urządzenia.
6. Narzędzia i akumulatora nie wolno przechowywać w miejscach, w których temperatura osiąga bądź przekracza 50°C (122°F).
7. Akumulatorów nie wolno spalać, również tych poważnie uszkodzonych lub całkowicie zużytych. Akumulator może eksplodować w ogniu.
8. Chronić akumulator przed upadkiem i uderzeniami.
9. Nie wolno używać uszkodzonego akumulatora.
10. Stanowiące wyposażenie akumulatory litowo-jonowe podlegają przepisom dotyczącym produktów niebezpiecznych.  
Na potrzeby transportu komercyjnego, np. świadczzonego przez firmy trzecie czy spedycyjne, należy przestrzegać specjalnych wymagań w zakresie pakowania i oznaczania etykietami.

Przygotowanie produktu do wysyłki wymaga skonsultowania się ze specjalistą ds. materiałów niebezpiecznych. Należy także przestrzegać przepisów krajowych, które mogą być bardziej szczegółowe.

Zakleić taśmą lub zaślepić otwarte styki akumulatora oraz zabezpieczyć go, aby nie mógł się przesuwać w opakowaniu.

11. Postępować zgodnie z przepisami lokalnymi dotyczącymi usuwania akumulatorów.
12. Używać akumulatorów tylko z produktami określonymi przez firmę Makita. Zastosowanie akumulatorów w niezgodnych produktach może spowodować pożar, przegrzanie, wybuch lub wyciek elektrolitu.

## ZACHOWAĆ NINIEJSZE INSTRUKCJE.

**⚠ PRZESTROGA:** Używać wyłącznie oryginalnych akumulatorów firmy Makita. Używanie nieoryginalnych akumulatorów firm innych niż Makita lub akumulatorów, które zostały zmodyfikowane, może spowodować wybuch akumulatora i pożar, obrażenia ciała oraz zniszczenie mienia. Stanowi to również naruszenie warunków gwarancji firmy Makita dotyczących narzędzia i ładowarki.

## Wskazówki dotyczące zachowania maksymalnej trwałości akumulatora

1. Akumulator należy naładować zanim zostanie do końca rozładowany. Po zauważeniu spadek mocy narzędzia należy przerwać pracę i naładować akumulator.
2. Nie wolno ładować powtórnie w pełni naładowanego akumulatora. Przeładowanie akumulatora skraca jego trwałość.
3. Akumulator należy ładować w temperaturze pokojowej w przedziale 10–40°C (50–104°F). W przypadku gorącego akumulatora przed przystąpieniem do ładowania należy poczekać, aż ostygnie.
4. Akumulatory niklowo-wodorkowe należy naładować po okresie długiego nieużytkowania (dłuższego niż sześć miesięcy).

## OPIS CZĘŚCI

► Rys.1

|    |                      |    |   |    |  |    |                   |
|----|----------------------|----|---|----|--|----|-------------------|
| 1  | Mocowanie nieruchome | 2  | Mocowanie ruchome                                       | 3  | Ostrze tnące                             | 4  | Śruba             |
| 5  | Zaczep               | 6  | Zaczep dla paska na ramię (dla akcesorium opcjonalnego) | 7  | Klucz imbusowy                           | 8  | Lampka (w środku) |
| 9  | Płaszczyna czołowa   | 10 | Spust przełącznika                                      | 11 | Dźwignia przełącznika obrotów wstecznych | 12 | Prowadnica pręta  |
| 13 | Skala                | 14 | Śruba zaciskowa   | 15 | Pokrywa                                  | -  | -                 |



## OPIS DZIAŁANIA

**⚠ PRZESTROGA:** Przed przystąpieniem do regulacji lub przeglądu narzędzia upewnić się, że jest ono wyłączone, a akumulator został wyjęty.

### Wkładanie i wyjmowanie akumulatora

**⚠ PRZESTROGA:** Przed włożeniem lub wyjęciem akumulatora należy zawsze wyłączyć narzędzie.

**⚠ PRZESTROGA:** Podczas wkładania lub wyjmowania akumulatora należy mocno trzymać narzędzie i akumulator. W przeciwnym razie mogą się one wyslizgnąć z rąk, powodując uszkodzenie narzędzia lub akumulatora i obrażenia ciała.

- **Rys.2:** 1. Czerwony wskaźnik 2. Przycisk 3. Akumulator

Aby wyjąć akumulator, przesunąć przycisk znajdujący się w przedniej jego części i wysunąć akumulator.

Aby włożyć akumulator, wyrównaj występ na akumulatorze z rowkiem w obudowie i wsuń go na swoje miejsce. Akumulator należy wsunąć do oporu, aż się zatrzaśnie na miejscu, co jest sygnalizowane delikatnym kliknięciem. Jeśli w górnej części przycisku jest widoczny czerwony wskaźnik, akumulator nie został całkowicie zatrzaśnięty.

**⚠ PRZESTROGA:** Akumulator należy włożyć do końca, tak aby czerwony wskaźnik nie był widoczny. W przeciwnym razie może przypadkowo wypaść z narzędzia, powodując obrażenia operatora lub osób postronnych.

**⚠ PRZESTROGA:** Nie wkładać akumulatora na siłę. Jeśli akumulator nie daje się swobodnie wsunąć, oznacza to, że został włożony nieprawidłowo.

### Układ zabezpieczenia narzędzia/akumulatora

Narzędzie jest wyposażone w układ zabezpieczenia narzędzia/akumulatora. Układ automatycznie odcina zasilanie silnika w celu wydłużenia trwałości narzędzia i akumulatora. Narzędzie zostanie automatycznie zatrzymane podczas pracy w następujących sytuacjach związanych z narzędziem lub akumulatorem. Niektóre sytuacje zostaną wskazane poprzez włączenie się odpowiednich wskaźników.

### Zabezpieczenie przed przeciążeniem

W przypadku obsługi narzędzia w sposób powodujący pobór nadmiernie wysokiego prądu narzędzie zostanie automatycznie zatrzymane bez żadnej sygnalizacji. W takiej sytuacji należy wyłączyć narzędzie i zaprzestać wykonywania czynności powodującej przeciążenie narzędzia. Następnie należy włączyć narzędzie w celu jego ponownego uruchomienia.

**WSKAZÓWKI:** Zabezpieczenie przed przeciążeniem aktywuje się przy próbie cięcia następujących typów prętów gwintowanych.

- Pręt gwintowany o średnicy większej niż rozmiar ostrzy tnących.
- Pręt gwintowany wykonany z materiału o twardości przekraczającej zdolność cięcia zapewnianą przez ostrza tnące.

### Zabezpieczenie przed przegrzaniem

W przypadku przegrzania narzędzie automatycznie zatrzymuje się i miga jego dioda LED. Przed ponownym włączeniem należy poczekać, aż narzędzie ostygnie.

### Zabezpieczenie przed nadmiernym rozładowaniem

Gdy poziom naładowania akumulatora spadnie, narzędzie zostanie automatycznie zatrzymane. Jeśli produkt nie działa pomimo włączenia przełączników, należy wyjąć akumulatory z narzędzia i naładować je.

### Wskazanie stanu naładowania akumulatora

*Tylko w przypadku akumulatorów ze wskaźnikiem*

► **Rys.3:** 1. Lampki wskaźnika 2. Przycisk kontrolny  
Naciśnięcie przycisku kontrolnego na akumulatorze w celu wyświetlenia stanu naładowania akumulatora. Lampki wskaźnika zaświecą się przez kilka sekund.

| Lampki wskaźnika |           |      | Pozostała energia akumulatora          |
|------------------|-----------|------|--|
| Świeci się       | Wyłączony | Miga |  |
|                  |           |      |  |
| 75–100%          |           |      |  |
| 50–75%           |           |      |  |
| 25–50%           |           |      |  |
| 0–25%            |           |      |  |
|                  |           |      | Naładować akumulator.                  |
|                  |           |      | Akumulator może nie działać poprawnie. |
|                  |           |      |  |

**WSKAZÓWKI:** Zależnie od warunków użytkowania i temperatury otoczenia, wskazywany poziom może nieznacznie się różnić od rzeczywistego stanu naładowania akumulatora.

## Działanie przełącznika

**⚠ PRZESTROGA:** Przed włożeniem akumulatora do narzędzia należy zawsze sprawdzić, czy spust przełącznika działa prawidłowo i czy powraca do położenia wyłączenia po jego zwolnieniu.

Aby rozpocząć cięcie, należy pociągnąć spust przełącznika. Ostrze tnące na mocowaniu ruchomym zostanie ustawione w taki sposób, że będzie zachodzić na zakres pracy ostrza tnącego na mocowaniu nieruchomym, a następnie wróci do poprzedniego położenia. Zwolnienie spustu przełącznika przed zakończeniem cięcia spowoduje zatrzymanie ostrzy tnących.

► **Rys.4:** 1. Spust przełącznika

► **Rys.5:** 1. Mocowanie nieruchome 2. Ostrze tnące 3. Mocowanie ruchome

**UWAGA:** Nie należy bez potrzeby uruchamiać narzędzia bez obciążenia.

## Funkcja automatycznego zatrzymania

Jeśli spust przełącznika zostanie pociągnięty, szczeka ostrzy tnących zostanie raz zamknięta, wróci do pozycji pełnego otwarcia, a następnie zatrzyma się. Aby rozpocząć następną sekwencję cięcia, należy zwolnić spust i pociągnąć go ponownie.

## Dźwignia przełącznika obrotów wstecznych

**⚠ OSTRZEŻENIE:** Gdy narzędzie nie jest używane, należy zawsze ustawić dźwignię przełącznika obrotów wstecznych w pozycji zablokowanej.

**⚠ PRZESTROGA:** Przed użyciem narzędzia zawsze należy sprawdzić ustawienie dźwigni przełącznika obrotów wstecznych.

**UWAGA:** Podczas pociągania spustu przełącznika nie należy zmieniać położenia dźwigni przełącznika obrotów wstecznych. Nieprzestrzeżenie tego zalecenia może spowodować uszkodzenie narzędzia.

Aby rozpocząć cięcie, należy ustawić dźwignię przełącznika obrotów wstecznych w położeniu cięcia. Aby wycofać narzędzie podczas sekwencji cięcia, należy ustawić dźwignię przełącznika obrotów wstecznych w pozycji wycofania. Jeśli spust przełącznika będzie w dalszym ciągu pociągany, szczeka ostrzy tnących zostanie otwarta i zatrzyma się w położeniu pełnego otwarcia.

Aby zablokować spust przełącznika, należy ustawić dźwignię przełącznika obrotów wstecznych w pozycji zablokowanej. Takie ustawienie uniemożliwia pociągnięcie spustu przełącznika.

► **Rys.6:** 1. Dźwignia przełącznika obrotów wstecznych 2. Pozycja cięcia 3. Pozycja zablokowana 4. Pozycja wycofania

**UWAGA:** Gdy dźwignia przełącznika obrotów wstecznych znajduje się w pozycji wycofania, narzędzie może być używane tylko w razie potrzeby. Jeśli po ustawieniu pozycji wycofania narzędzie będzie używane w sposób ciągły, nastąpi jego automatyczne zatrzymanie, które zapobiegnie jego awarii.

**WSKAZÓWKA:** Jeśli po zakończeniu cięcia spust przełącznika zostanie zwolniony podczas otwierania szczęki ostrzy tnących, a następnie dźwignia przełącznika obrotów wstecznych zostanie ustawiona w pozycji wycofania, wówczas — po ponownym pociągnięciu spustu przełącznika — szczeka zamknie się raz i otworzy.

## Lampka LED

**⚠ PRZESTROGA:** Nie patrzeć na światło ani bezpośrednio na źródło światła.

W celu włączenia lampki należy pociągnąć za spust przełącznika. Lampka świeci, dopóki spust przełącznika jest pociągany. Lampka gaśnie po około 15 s od zwolnienia spustu przełącznika.

► **Rys.7:** 1. Lampka (w środku)

**WSKAZÓWKA:** Aby usunąć zabrudzenia z klosza lampki, należy użyć suchej szmatki. Uważać, aby nie zarysować klosza lampki, gdyż może to zmniejszyć natężenie oświetlenia.

**WSKAZÓWKA:** Gdy narzędzie się przegrzewa, lampka miga. W takim przypadku należy pozostawić narzędzie do ostygnięcia.

## Skala

Ze skali można korzystać w celu docinania prętów gwintowanych do tej samej długości. Skalę należy wprowadzić w otwór w sposób przedstawiony na ilustracji.

► **Rys.8:** 1. Skala 2. Śruba zaciskowa

Skalę należy ustawić w taki sposób, aby wyznaczała na linii cięcia żądaną długość pręta. Następnie należy dokręcić śrubę zaciskową.

► **Rys.9:** 1. Skala 2. Linia cięcia 3. Śruba zaciskowa

**⚠ PRZESTROGA:** Narzędzia nie należy przytrzymywać ani przenosić, chwytając za skalę.

Nieprzestrzeżenie tego zalecenia może spowodować upadek narzędzia oraz obrażenia ciała i/lub uszkodzenie narzędzia.

## Prowadnica pręta

W celu precyzyjnego cięcia należy ustawić prowadnicę w pozycji odpowiedniej do średnicy gwintowanego pręta, który będzie cięty.

► **Rys.10:** 1. Prowadnica pręta (pozycja 1) 2. Prowadnica pręta (pozycja 2)

Dostępne są dwie pozycje prowadnicy pręta.

| Pozycja | Rozmiar pręta gwintowanego |
|---------|----------------------------|
| 1       | W3/8, M10                  |
| 2       | M8, M6                     |

## Zaczep

**⚠ PRZESTROGA:** Nigdy nie należy zawieszać narzędzia na zaczepie na zewnątrz przy wietrznej pogodzie ani na potencjalnie niestabilnej powierzchni.

**⚠ PRZESTROGA:** Z zaczepu nie należy korzystać, gdy jest odkształcony lub uszkodzony.

**⚠ PRZESTROGA:** Przed rozpoczęciem korzystania z narzędzia zaczep zawsze należy złożyć.

Zaczep jest przydatny, aby na chwilę zawiesić narzędzie.

► **Rys.11:** 1. Zaczep

**⚠ PRZESTROGA:** Nie wolno zawieszać zaczepu na pasku spodni. Może to spowodować obrażenia ciała i/lub uszkodzenie narzędzia w razie upadku narzędzia.

► **Rys.12**

## Miejsce na klucz imbusowy

Klucz imbusowy, gdy nie jest używany, należy przechowywać w sposób pokazany na rysunku, aby się nie zgubił.

► **Rys.13:** 1. Klucz imbusowy

## Pasek na ramię

### Akcesoria opcjonalne

Pasek na ramię ułatwia przenoszenie narzędzia.

► **Rys.14:** 1. Pasek na ramię 2. Koniec paska 3. Klamra

**⚠ PRZESTROGA:** W przypadku korzystania z paska na ramię zawsze należy zawieszać go w poprzek ciała i wyregulować do odpowiedniej długości.

**⚠ PRZESTROGA:** Nie wolno używać paska na ramię, jeśli jest on uszkodzony.

**⚠ PRZESTROGA:** Pasek musi być zawsze wprowadzony w klamrę na taką odległość, która uniemożliwi wyslizgnięcie się końca paska z klamry.

## MONTAŻ

**⚠ PRZESTROGA:** Przed przystąpieniem do prac konserwacyjnych przy narzędziu upewnić się, że jest ono wyłączone, a akumulator został wyjęty.

## Montaż ostrzy tnących

**⚠ PRZESTROGA:** Ostrza tnące zawsze należy montować we właściwym kierunku i solidnie mocować. Niepoprawne lub poluzowane mocowanie może spowodować pęknięcie ostrza tnącego, którego wyrzucone w powietrze fragmenty mogą doprowadzić do urazów ciała.

**UWAGA:** Wszelkie zadziory należy usuwać z ostrza tnącego pilnikiem.

1. Sprawdzić, czy szczeka ostrzy tnących jest całkowicie otwarta. Jeśli nie jest, należy zamontować akumulator i pociągnąć spust przełącznika, aż do pełnego otwarcia szczęki.

**⚠ PRZESTROGA:** Jeśli akumulator został zamontowany, należy go wymontować.

2. Ustawić dźwignię przełącznika obrotów wstecznych w pozycji zablokowanej.

► **Rys.15:** 1. Dźwignia przełącznika obrotów wstecznych

3. Wykręcić śruby za pomocą klucza imbusowego dostarczonego z przecinarką.

**⚠ PRZESTROGA:** Używać tylko klucza marki Makita dostarczonego wraz z narzędziem. Użycie innego klucza może spowodować zbyt silne lub zbyt słabe dokręcenie śruby imbusowej i doprowadzić do obrażeń ciała.

4. Ustawić ostrza tnące na mocowaniach w taki sposób, aby dwa kolorowe znaczniki były widoczne.

► **Rys.16:** 1. Śruba 2. Ostrze tnące 3. Mocowanie nieruchome 4. Mocowanie ruchome 5. Kolorowy znacznik 6. Klucz imbusowy

5. Zamocować ostrza tnące mocno śrubami.

Ostrza tnące są poprawnie zamontowane, jeśli strzałki na nich wskazują na siebie nawzajem. Oba ostrza tnące mają te same wymiary, ale różnią się grubościami, a różnica ta jest widoczna od góry.

► **Rys.17:** 1. Strzałka 2. Ostrze tnące 3. Cienki bok 4. Gruby bok

## OBSŁUGA

**⚠ PRZESTROGA:** W narzędziu należy montować wyłącznie ostrza tnące odpowiednich rozmiarów. Przed rozpoczęciem cięcia należy sprawdzić zdolność cięcia, której oznaczenie znajduje się na ostrzu.

**⚠ PRZESTROGA:** Przed pociągnięciem spustu przełącznika należy ustawić pręt gwintowany w taki sposób, aby jego gwint był dopasowany do rowków w ostrzach tnących. Nieprawidłowe wyrównanie gwintów może spowodować pęknięcie ostrzy tnących, których wyrzucone w powietrze fragmenty mogą doprowadzić do obrażeń ciała.

**⚠ PRZESTROGA:** Ostrze tnące należy wymienić, jeśli krawędź tnąca jest ukruszona lub odkształcona.

Podczas cięcia należy ustawić pręt gwintowany prostopadłe do linii cięcia — w sposób przedstawiony na ilustracji.

► **Rys.18:** 1. Linia cięcia

**WSKAZÓWKA:** W przypadku cięcia pręta gwintowanego wykonanego z materiału ciągliwego, takiego jak stal nierdzewna, na przecinanym końcu mogą powstawać zadziory. Zadziory należy usunąć pilnikiem.

► **Rys.19:** 1. Pręt gwintowany 2. Zadziór

## Cięcie unieruchomionych prętów gwintowanych

Cięcie pręta gwintowanego, który jest unieruchomiony w konstrukcji budynku, np. w suficie, ścianie, podłodze itp., należy realizować zgodnie z poniższą procedurą:

► **Rys.20:** 1. Pręt gwintowany 2. Ostrze tnące na mocowaniu nieruchomym

1. Ustawić narzędzie w taki sposób, aby pręt gwintowany znalazł się między ostrzami tnącymi.
2. Pręt gwintowany ustawić przy prowadnica pręta, a następnie dopasować gwint pręta do rowków ostrza tnącego na mocowaniu nieruchomym.
3. Pociągnąć i przytrzymać spust przełącznika, aż do zakończenia cięcia i pełnego otwarcia szczęki ostrzy tnących.

**UWAGA:** Przed rozpoczęciem pracy należy wyczyścić płaszczyznę czołową narzędzia i końcówkę skali. Jeśli nie zostaną oczyszczone, zanieczyszczenia mogą przedostać się na powierzchnie styku na ostrzach tnących.

## Cięcie luźnych prętów gwintowanych

Cięcie luźnego pręta gwintowanego na podłodze lub stole należy wykonywać zgodnie z poniższą procedurą:

► **Rys.21:** 1. Pręt gwintowany 2. Ostrze tnące na mocowaniu nieruchomym

1. Ustawić pręt między ostrzami tnącymi.
2. Pręt gwintowany ustawić przy prowadnica pręta, a następnie dopasować gwint pręta do rowków ostrza tnącego na mocowaniu nieruchomym.
3. Pociągnąć i przytrzymać spust przełącznika, aż do zakończenia cięcia i pełnego otwarcia szczęki ostrzy tnących.

W przypadku cięcia długiego pręta, którego trudno jest utrzymać w rękach, należy ustawić narzędzie w sposób przedstawiony na ilustracji. Narzędzie można położyć płasko na powierzchni roboczej. Pokrywę można również wykorzystać do podparcia końca pręta gwintowanego.

► **Rys.22:** 1. Pokrywa (pozycja 1) 2. Prowadnica pręta (pozycja 1) 3. Pokrywa (pozycja 2) 4. Prowadnica pręta (pozycja 2)

Na pokrywie znajdują się znaczniki wskazujące jej pozycję. W zależności od rozmiaru pręta gwintowanego należy ustawić pokrywę i prowadnicę pręta w pozycji wskazanej w tabeli.

| Pozycja | Rozmiar pręta gwintowanego |
|---------|----------------------------|
| 1       | W3/8, M10                  |
| 2       | M8, M6                     |

## Przerywanie trwającego cięcia

**⚠ PRZESTROGA:** Nigdy nie należy podejmować prób wyjęcia narzędzia na siłę z gwintowanego pręta. Może to spowodować nieoczekiwane uruchomienie narzędzia, co może doprowadzić do obrażeń ciała, uszkodzenia ostrza tnącego albo narzędzia.

Gdy konieczne jest przerwanie trwającego cięcia, należy ustawić dźwignię przełącznika obrotów wstecznych w pozycji wycofania, pociągnąć spust przełącznika i przytrzymać go do momentu całkowitego zwolnienia gwintowanego pręta z ostrzy tnących.

## KONSERWACJA

**⚠ PRZESTROGA:** Przed przystąpieniem do przeglądu narzędzia lub jego konserwacji upewnić się, że jest ono wyłączone, a akumulator wyjęty.

**UWAGA:** Nie stosować benzyny, rozpuszczalników, alkoholu itp. środków. Mogą one powodować odbarwienia, odkształcenia lub pęknięcia.

## Wymiana ostrzy tnących

**UWAGA:** Ostrza tnące należy wymieniać parami — **oba jednocześnie**. Wymiana ostrza tnącego po jednej stronie może spowodować powstawanie zadziorów na pręcie gwintowanym.

Ostrze tnące należy wymienić, gdy jest wyszczerbione, odkształcone lub gdy nastąpi zmniejszenie szybkości cięcia. W celu wymiany należy zapoznać się z instrukcjami „Montaż ostrzy tnących”.

► **Rys.23:** 1. Wyszczerbienie 2. Odkształcenie

Jedno ostrze tnące ma dwie krawędzie tnące oraz bok gruby i cienki. Jeśli druga krawędź tnąca ostrza nie była jeszcze używana, należy zmienić pozycję montażową ostrza tnącego, aby rozpocząć cięcie nieużywaną krawędzią.

► **Rys.24:** 1. Krawędź tnąca 2. Cienki bok 3. Gruby bok

**WSKAZÓWKA:** Niektóre pozycje znajdujące się na liście mogą być dołączone do pakietu narzędziowego jako akcesoria standardowe. Mogą to być różne pozycje, w zależności od kraju.

## Przenoszenie/przechowywanie narzędzia

**⚠ PRZESTROGA:** Gdy narzędzie nie jest używane, na sekcję tnącą zawsze należy zakładać pokrywę dołączoną do zestawu.

Pokrywę należy zakładać w celu przeniesienia narzędzia.

Gdy narzędzie jest przechowywane, należy z niego wyjąć akumulator i skalę. Przed rozpoczęciem przechowywania należy wyczyścić ostrza tnące i część ruchomą z pyłu. Następnie należy założyć pokrywę.

► **Rys.25:** 1. Pokrywa

W celu zachowania odpowiedniego poziomu BEZPIECZEŃSTWA i NIEZAWODNOŚCI produktu wszelkie naprawy i różnego rodzaju prace konserwacyjne lub regulacje powinny być przeprowadzane przez autoryzowany lub fabryczny punkt serwisowy narzędzi Makita, zawsze z użyciem oryginalnych części zamiennych Makita.

## AKCESORIA OPCJONALNE

**⚠ PRZESTROGA:** Zaleca się stosowanie wymienionych akcesoriów i przystawek razem z narzędziem Makita opisanym w niniejszej instrukcji.

Stosowanie innych akcesoriów lub przystawek może być przyczyną obrażeń ciała. Akcesoria lub przystawki należy wykorzystywać tylko zgodnie z ich przeznaczeniem.

W razie potrzeby wszelkiej pomocy i szczegółowych informacji na temat niniejszych akcesoriów udzieli Państwu lokalne punkty serwisowe Makita.

- Ostrza tnące
- Pasek na ramię
- Oryginalny akumulator i ładowarka firmy Makita

## RÉSZLETES LEÍRÁS

|                     |                   |                                      |
|---------------------|-------------------|--------------------------------------|
| <b>Típus:</b>       |                   | <b>DSC102</b>                        |
| Vágóteljesítmény    | Lágyacél          | W3/8, M10, M8, M6                    |
|                     | Rozsdamentes acél | W3/8, M8, M6                         |
| Teljes hossz        |                   | 199 mm                               |
| Névleges feszültség |                   | 18 V, egyenáram<br>14,4 V, egyenáram |
| Tiszta tömeg        |                   | 2,8 - 3,2 kg                         |

- Folyamatos kutató- és fejlesztőprogramunk eredményeként az itt felsorolt tulajdonságok figyelmeztetés nélkül megváltozhatnak.
- A tulajdonságok országról országra különbözhetnek.
- A súly a felszerelt tartozékoktól függően változhat, az akkumulátort is beleértve. Az EPTA 01/2014 eljárás szerint meghatározott legnehezebb, illetve legkönnyebb kombináció a táblázatban látható.

### Alkalmazható akkumulátorok és töltők

|             |                            |   |
|-------------|----------------------------|---|
| Akkumulátor | 14,4 V-os egyenáramú típus | BL1415N / BL1430 / BL1430B / BL1440 / BL1450 / BL1460B  |
|             | 18 V-os egyenáramú típus   | BL1815N / BL1820 / BL1820B / BL1830 / BL1830B / BL1840 / BL1840B / BL1850 / BL1850B / BL1860B |
| Töltő       |                            | DC18RC / DC18RD / DC18RE / DC18SD / DC18SE / DC18SF   |

- Lakóhelyétől függően előfordulhat, hogy a fent felsorolt akkumulátorok és töltők nem érhetők el.

**FIGYELMEZTETÉS:** Csak a fentiekben felsorolt akkumulátorokat és töltőket használja. Bármilyen más akkumulátor vagy töltő használata sérüléseket és/vagy tüzet okozhat.

### Szimbólumok

A következőkben a berendezésen használt jelképek láthatók. A szerszám használata előtt bizonyosodjon meg arról hogy helyesen értelmezi a jelentésüket.



Olvassa el a használati utasítást.



Viseljen védőszemüveget.



Ne érintse meg a vágószerszámokat működés közben.



Figyeljen az elvágott menetes rudakra.



Ne közelítse az arcát a géphez működés közben.



Csak EU-tagállamok számára  
Az elektromos berendezéseket és akkumulátorokat ne dobja a háztartási szemétkébe! Az Európai Unió használt elektromos és elektronikus berendezésekre vonatkozó irányelvei, illetve az elemekről és akkumulátorokról, valamint a hulladékkelelemekről és akkumulátorokról szóló irányelv, továbbá azoknak a nemzeti jogba való átültetése szerint az elhasznált elektromos berendezéseket, elemeket és akkumulátorokat külön kell gyűjteni, és környezetbarát módon kell gondoskodni újrahasznosításukról.

### Rendeltetés

A gép menetes rudak vágására használható.

### Zaj

A tipikus A-súlyozású zajszint, a EN62841 szerint meghatározva:  
Hangnyomásszint ( $L_{pA}$ ): 71 dB(A)  
Bizonytalanság (K): 3 dB(A)

A zajszint a munkavégzés során meghaladhatja a 80 dB (A) értéket.

**FIGYELMEZTETÉS:** Viseljen fülvédőt!

## Vibráció

A vibráció teljes értéke (háromtengelyű vektorösszeg) az EN62841 szerint meghatározva:

Üzem mód: rozsdamentes acél menetes rúd vágása (rúd mérete W3/8)

Rezgéskibocsátás ( $a_n$ ): 2,5 m/s<sup>2</sup> vagy kisebb  
Bizonytalanság (K): 1,5 m/s<sup>2</sup>

**MEGJEGYZÉS:** A rezgéskibocsátás értéke a szabványos vizsgálati eljárásnak megfelelően lett mérve, és segítségével az elektromos kéziszerszámok összehasonlíthatók egymással.

**MEGJEGYZÉS:** A rezgéskibocsátás értékének segítségével előzetesen megbecsülhető a rezgésnek való kitettség mértéke.

**FIGYELMEZTETÉS:** A szerszám rezgéskibocsátása egy adott alkalmazásnál eltérhet a megadott értéktől a használat módjától függően.

**FIGYELMEZTETÉS:** Határozza meg a kezelő védelmét szolgáló munkavédelmi lépéseket, melyek az adott munkafeltételek mellett vibrációs hatás becslőt mértékén alapulnak (figyelembe véve a munkaciklus elemeit, mint például a gép leállításának és úresjáratainak mennyiségét az elindítások száma mellett).

## EK Megfelelőségi nyilatkozat

*Csak európai országokra vonatkozóan*

Az EK-megfelelőségi nyilatkozat az útmutató „A” mellékletében található.

## BIZTONSÁGI FIGYELMEZTETÉS

### A szerszámgepekre vonatkozó általános biztonsági figyelmeztetések

**FIGYELMEZTETÉS:** Olvassa el a szerszámgéphez mellékelt összes biztonsági figyelmeztetést, utasítást, illusztrációt és a műszaki adatokat. A következőkben leírt utasítások figyelmen kívül hagyása elektromos áramütést, tüzet és/vagy súlyos sérülést eredményezhet.

## Őrizzen meg minden figyelmeztetést és utasítást a későbbi tájékozódás érdekében.

A figyelmeztetéseken szereplő "szerszámgép" kifejezés az Ön hálózatról (vezetékes) vagy akkumulátorról (vezeték nélküli) működtetett szerszámgépére vonatkozik.

## Az akkumulátoros menetesrúd-vágóra vonatkozó biztonsági figyelmeztetések

1. **Tartsa stabilan a gépet.**
2. **Szilárdan rögzítse a munkadarabot.**
3. **Arcát és kezét tartsa távol a mozgó alkatrészekről.** Vágás közben a menetes rúd darabkaja lerepülhet.
4. **Menetesrudak kezelésekor mindig viseljen kesztyűt.** A munkadarab élei és forgácsai élesek.
5. **Ne helyezze a gépet a munkadarab forgácsa-ira.** Máskülönbben sérülést vagy problémát okozhat a gépben.
6. **Mindig stabil helyzetben dolgozzon.** A gép magasban történő használatkor győződjön meg arról, hogy nem tartózkodik-e valaki odalent.
7. **Ne érjen a vágóélhez vagy a munkadarabhoz közvetlenül a munkavégzést követően; azok rendkívül forrók lehetnek és megégethetik a bőrt.**
8. **Kerülje el az elektromos vezetékek elvágását.** Az áramütés súlyos balesetet okozhat.
9. **Mindig tartsa a menetes rudat a vágás előtt és közben, hogy elkerülje a menetes rúd leesését.** Egy vágott menetes rúd súlyos személyi sérülést okozhat, ha magas helyről esik le.
10. **Tartson biztonságos távolságot a teste és a mozgó alkatrészek között. Ne működtesse a gépet, ha a munkaterület túl szűk ahhoz, hogy biztonságos távolságot tartson.**
11. **Soha ne hagyja a gépet magas helyen vagy nem teljesen stabil felületen.**

## ŐRIZZE MEG EZEKET AZ UTASÍTÁSOKAT.

**FIGYELMEZTETÉS:** NE HAGYJA, hogy (a termék többszöri használatából eredő) kényelem és megszokás váltsa fel a termék biztonsági előírásainak szigorú betartását.

**A HELYTELEN HASZNÁLAT** és a használati útmutatóban szereplő biztonsági előírások megszegése súlyos személyi sérülésekhez vezethet.

## Fontos biztonsági utasítások az akkumulátorra vonatkozóan

1. **Az akkumulátor használata előtt tanulmányozza át az akkumulátortöltőt (1), az akkumulátoron (2) és az akkumulátorral működtetett terméken (3) olvasható összes utasítást és figyelmeztető jelzést.**
2. **Ne szerelje szét az akkumulátort.**
3. **Ha a működési idő nagyon lerövidült, azonnal hagyja abba a használatot. Ez a túlmelegedés, esetleges égések és akár robbanás veszélyével is járhat.**
4. **Ha elektrolit kerül a szemébe, mossa ki azt tiszta vízzel és azonnal kérjen orvosi segítséget. Ez a látásának elvesztését okozhatja.**

5. Ne zárja rövidre az akkumulátort:
  - (1) Ne érjen az érintkezőkhöz elektromosan vezető anyagokkal.
  - (2) Ne tárolja az akkumulátort más fémtárgyakkal, mint pl. szegekkel, érmékkel, stb. egy helyen.
  - (3) Ne tegye ki az akkumulátort víznek vagy esőnek.
11. Az akkumulátor ártalmatlanításakor tartsa be a helyi előírásokat.
12. Az akkumulátorokat csak a Makita által megjelölt termékekhez használja. Ha az akkumulátorokat azokkal nem kompatibilis termékekbe helyezi, az tűzhez, túlmelegedéshez, robbanáshoz vagy elektrolitszivárgáshoz vezethet.

## ŐRIZZE MEG EZEKET AZ UTASÍTÁSOKAT.

**▲VIGYÁZAT:** Csak eredeti Makita akkumulátorokat használjon. A nem eredeti Makita akkumulátorok vagy módosított akkumulátorok használata esetén az akkumulátor felrobbanhat, ami tüzet, személyi sérülést és anyagi kárt okozhat. A Makita szerszámra és töltőre vonatkozó Makita garanciát is érvénytelenítheti.

6. Ne tárolja a szerszámot vagy az akkumulátort olyan helyen, ahol a hőmérséklet elérheti vagy meghaladhatja az 50 °C-ot (122 °F).
7. Ne égesse el az akkumulátort még akkor sem, ha az komolyan megsérült vagy teljesen elhasználódott. Az akkumulátor a tűzben felrobbanhat.
8. Vigyázzon, nehogy leejtse vagy megüsse az akkumulátort.
9. Ne használjon sérült akkumulátort.
10. A készülékben található lítium-ion akkumulátorokra a veszélyes árukkal kapcsolatos előírások vonatkoznak.

A termék pl. harmadik felek, fuvarozó cégek stb. által történő szállítása esetén minden esetben tartsa szem előtt a csomagoláson és a címkén található speciális követelményeket.

A termék szállításra történő felkészítése esetén vegye fel a kapcsolatot egy veszélyes anyagokkal foglalkozó szakemberrel. Kérjük, hogy az esetlegesen szigorúbb nemzeti előírásokat is vegye figyelembe.

Ragassza le a kiálló érintkezőket, illetve oly módon csomagolja be az akkumulátort, hogy az ne tudjon elmozdulni a csomagolásban.

## Tippek az akkumulátor maximális élettartamának eléréséhez

1. Töltse fel az akkumulátort, mielőtt teljesen lemerülne. Állítsa le a gépet, és töltse fel az akkumulátort, ha a gép erejének csökkenését észleli.
2. Soha ne töltse újra a teljesen feltöltött akkumulátort. A túltöltés csökkenti az akkumulátor élettartamát.
3. Töltse az akkumulátort szobahőmérsékleten, 10 °C - 40 °C (50 °F - 104 °F) között. Töltés előtt hagyja lehűlni a fölforrósodott akkumulátort.
4. Töltse fel az akkumulátort, ha hosszabb ideje (több mint hat hónapja) nem használta azt.

## ALKATRÉSZEK LEÍRÁSA

### ► Ábra1

|    |                         |    |   |    |                              |    |               |
|----|-------------------------|----|---|----|------------------------------|----|---------------|
| 1  | Helyhez kötött foglalat | 2  | Mozgatható foglalat                       | 3  | Vágószerszám                 | 4  | Fejecsavar    |
| 5  | Horog                   | 6  | Vállszíj tartója (opcionális tartozékhoz) | 7  | Imbuszkulcs                  | 8  | Lámpa (belső) |
| 9  | Előlap                  | 10 | Kapcsológomb                              | 11 | Forgásirányváltó kapcsolókar | 12 | Rúdvezető     |
| 13 | Vezető mérőrúd          | 14 | Szorítócsavar                             | 15 | Fedél                        | -  | -             |



# A MŰKÖDÉS LEÍRÁSA

**⚠ VIGYÁZAT:** Minden esetben ellenőrizze, hogy a szerszám ki van kapcsolva és az akkumulátor eltávolításra került mielőtt beállít vagy ellenőriz valamilyen funkciót a szerszámon.

## Az akkumulátor behelyezése és eltávolítása

**⚠ VIGYÁZAT:** Mindig kapcsolja ki az eszközt, mielőtt behelyezi vagy eltávolítja az akkumulátort.

**⚠ VIGYÁZAT:** Az akkumulátor behelyezésekor vagy eltávolításakor erősen fogja meg a szerszámot és az akkumulátort. Ha nem fogja erősen a szerszámot és az akkumulátort, azok kicsúszhatnak a kezei közül, ami a szerszám és az akkumulátor károsodásához, de akár személyi sérüléshez is vezethet.

► **Ábra2:** 1. Piros jel 2. Gomb 3. Akkumulátor

Az akkumulátoregység kivételéhez nyomja be az akkumulátoregység elején található gombot, és húzza le a gépről.

Az akkumulátor beszereléséhez illesse az akkumulátor nyelvét a burkolaton található vágatba és csúsztassa a helyére. Egészen addig tolja be, amíg az akkumulátor egy kis kattánással a helyére nem ugrik. Ha látható a piros jel a gomb felső oldalán, akkor a gomb nem kattant be teljesen.

**⚠ VIGYÁZAT:** Mindig tolja be teljesen az akkumulátort, amíg a piros jel el nem tűnik. Ha ez nem történik meg, akkor az akkumulátor kieshet a szerszámból, és Önnek vagy a környezetében másnak sérülést okozhat.

**⚠ VIGYÁZAT:** Ne erőltesse az akkumulátort behelyezésre. Ha az akkumulátor nem csúszik be könnyedén, akkor nem megfelelően lett behelyezve.

## Szerszám-/akkumulátorvédő rendszer

A gép szerszám-/akkumulátorvédő rendszerrel van felszerelve. A rendszer automatikusan kikapcsolja a motor áramellátását, így megnöveli a szerszám és az akkumulátor élettartamát. A gép használat közben automatikusan leáll, ha a szerszám vagy az akkumulátor a következő állapotba kerül. Ezek némelyikében a jelzőfények világítanak.

## Túlterhelésvédelem

Ha a szerszámot úgy használják, hogy az rendellenesen nagy áramot vesz fel, akkor a szerszám mindenfajta jelzés nélkül leáll. Ilyenkor kapcsolja ki a gépet, és állítsa le azt az alkalmazást, amelyik a túlterhelést okozza. Újraindításhoz kapcsolja be a gépet.

**MEGJEGYZÉS:** A túlterhelésvédelem akkor aktíválódik, ha a következő fajta menetes rudakat próbálja meg vágni.

- A vágószerszámok méreténél nagyobb menetes rúd.
- A vágószerszámok vágóteljesítményénél keményebb menetes rúd.

## Túlmelegedés elleni védelem

Ha a gép túlmelegszik, automatikusan leáll, a LED égő pedig villog. Hagyja kihűlni a gépet, mielőtt ismét bekapcsolná.

## Mélykisütés elleni védelem

Amikor az akkumulátor kapacitása lecsökken, a gép automatikusan leáll. Ha a készülék a gombokkal sem működtethető, vegye ki az akkumulátort és töltsse fel.

## Az akkumulátor töltöttségének jelzése

**Csak állapotjelzős akkumulátorok esetén**

► **Ábra3:** 1. Jelzőlámpák 2. Check (ellenőrzés) gomb

Nyomja meg az ellenőrzőgombot, hogy az akkumulátortöltöttség-jelző megmutassa a hátralévő akkumulátor-kapacitást. Ekkor a töltöttség-szint-jelző lámpák néhány másodpercre kigyulladnak.

| Jelzőlámpák    |    |               | Töltöttségi szint                              |
|----------------|----|---------------|--|
| Világító lámpa | KI | Villogó lámpa |  |
| ■ ■ ■ ■        | □  | □             | 75%-tól<br>100%-ig                             |
| ■ ■ ■ □        | □  | □             | 50%-tól<br>75%-ig                              |
| ■ ■ □ □        | □  | □             | 25%-tól<br>50%-ig                              |
| ■ □ □ □        | □  | □             | 0%-tól 25%-ig                                  |
| ▣ □ □ □        | □  | □             | Töltsse fel az akkumulátort.                   |
| ■ ■ □ □        | □  | □             | Lehetséges, hogy az akkumulátor meghibásodott. |

**MEGJEGYZÉS:** Az adott munkafeltételektől és a környezet hőmérsékletétől függően a jelzett töltöttségi szint némileg eltérhet a tényleges töltöttségi szinttől.

## A kapcsoló használata

**⚠ VIGYÁZAT:** Mielőtt behelyezi az akkumulátort a szerszámba, mindig ellenőrizze, hogy a kapcsológomb hibátlanul működik és felengedéskor „OFF” állásba áll-e.

A vágási művelet elindításához folyamatosan húzza a kapcsológombot. A mozgatható foglalatban lévő vágószerszám átfedi a helyhez kötött foglalatban lévő vágószerszámot, majd visszatér. Ha a vágás befejezése előtt elengedi a kapcsológombot, a vágószerszámok leállnak.

► **Ábra4:** 1. Kapcsológomb

► **Ábra5:** 1. Helyhez kötött foglalat 2. Vágószerszám 3. Mozdítható foglalat

**MEGJEGYZÉS:** Ne működtesse a gépet terhelés nélkül főlöleslegesen.

## Automatikus leállítási funkció

Ha folyamatosan húzza a kapcsológombot, a szerszámok pófája egyszer becsukódik és visszatér a teljesen nyitott pozícióba, majd megáll. Engedje el a kapcsolót és húzza meg újra a következő vágássorozat megkezdéséhez.

## Forgásirányváltó kapcsolókar

**FIGYELMEZTETÉS:** Amikor nem működteti a gépet, a forgásirányváltó kapcsolókart mindig állítsa a rögzítési pozícióba.

**VIGYÁZAT:** Működtetés előtt mindig győződjön meg a forgásirányváltó kapcsolókar pozíciójáról.

**MEGJEGYZÉS:** Ne mozgassa a forgásirányváltó kapcsolókart, míg a kapcsológombot húzza. Ez sérülést okozhat a gépnek.

A vágási művelet megkezdéséhez állítsa a forgásirányváltó kapcsolókart a vágó pozícióba.

A vágássorozat megfordításához állítsa a forgásirányváltó kapcsolókart a forgásirányváltó pozícióba. Ha folyamatosan húzza a kapcsológombot, a vágószerszámok pófája kinyílik és megáll a teljesen nyitott pozícióban.

A kapcsológomb reteszeléséhez állítsa a forgásirányváltó kapcsolókart a rögzítési pozícióba. A kapcsológombot nem lehet meghúzni ebben a pozícióban.

► **Ábra6:** 1. Forgásirányváltó kapcsolókar  
2. Vágó pozíció 3. Rögzítési pozíció  
4. Forgásirányváltó pozíció

**MEGJEGYZÉS:** Ha a forgásirányváltó kapcsolókar a forgásirányváltó pozícióban van, csak szükség esetén működtesse a gépet. A gép sérülésének elkerülése érdekében a gép automatikusan leáll, ha folyamatosan a forgásirányváltó pozícióban működtetik.

**MEGJEGYZÉS:** Ha vágás után elengedi a kapcsológombot, míg a vágószerszámok pófája nyílik, majd a forgásirányváltó kapcsolókart a forgásirányváltó pozícióba állítja, a pófa egyszer becsukódik, majd kinyílik, mikor újra meghúzza a kapcsológombot.

## LED lámpa

**VIGYÁZAT:** Ne tekintsen a fénybe vagy ne nézze egyenesen a fényforrást.

Húzza meg a kapcsológombot a lámpa bekapcsolásához. A lámpa addig világít, amíg a kapcsológomb meg van húzva. A lámpa a kapcsológomb elengedése után kb. 15 másodperccel alszik ki.

► **Ábra7:** 1. Lámpa (belső)

**MEGJEGYZÉS:** Száraz ruhadarabbal törölje le a szennyeződést a lámpa lencséről. Ügyeljen arra, hogy ne karcolja meg a lámpa lencsét, ez csökkentheti a megvilágítás erősségét.

**MEGJEGYZÉS:** Ha a gép túlmelegszik, a lámpa elkezd villogni. Ebben az esetben hagyja lehűlni a gépet.

## Vezető mérőrúd

Használja a vezető mérőrudat, ha azonos hosszúságú menetes rudakat szeretne vágni. Helyezze a vezető mérőrudat a lyukba az ábrán látható módon.

► **Ábra8:** 1. Vezető mérőrúd 2. Szorítócsavar

Igazítsa a vezető mérőrudon az Ön által kívánt hossz értékét a vágás vonalához. Ezt követően húzza meg a szorítócsavart.

► **Ábra9:** 1. Vezető mérőrúd 2. Vágás vonala  
3. Szorítócsavar

**VIGYÁZAT:** Ne a vezető mérőrudat fogja a gép hordozásakor vagy kezelésekor. A gép leeshet, és személyi sérülést okozhat és/vagy sérülhet a gép.

## Rúdvezető

A pontos vágás érdekében állítsa pozícióba a rúdvezetőt a vágandó menetes rúd átmérőjétől függően.

► **Ábra10:** 1. Rúdvezető (1-es pozíció) 2. Rúdvezető (2-es pozíció)

A rúdvezetőnek két pozíciója van.

| Pozíció | Menetes rúd mérete |
|---------|--------------------|
| 1       | W3/8, M10          |
| 2       | M8, M6             |

## Akasztó

**VIGYÁZAT:** Soha ne akassza fel a gépet szeles helyen vagy nem teljesen stabil felületen.

**VIGYÁZAT:** Ne használja az akasztót, ha deformált vagy sérült.

**VIGYÁZAT:** Amikor nem működteti a gépet, mindig hajtsa be az akasztót.

Az akasztó a gép ideiglenes felakasztására használható.

► **Ábra11:** 1. Akasztó

**VIGYÁZAT:** Ne akassza a szerszámot nadrágszíjára. Személyi sérülést és/vagy kárt okozhat, ha a gépet elejtik.

► **Ábra12**

## Az imbuszkulcs tárolása

Amikor nem használja, tárolja az imbuszkulcsot az ábrán látható módon, nehogy elveszzen.

► **Ábra13:** 1. Imbuszkulcs

## Vállszij

### Opcionális kiegészítők

A vállszij hasznos a gép hordozására.

► **Ábra14:** 1. Vállszij 2. Szij vége 3. Csatl

**⚠VIGYÁZAT:** A vállszijat mindig a testén keresztülvetve és megfelelő hosszra igazítva hordja.

**⚠VIGYÁZAT:** Ne használja a vállszijat, ha az megsérült.

**⚠VIGYÁZAT:** Hagyjon elegendő hosszat a csatl és a szij vége között, hogy elkerülje a szij végének kicsúsztatását a csatlból.

## ÖSSZESZERELÉS

**⚠VIGYÁZAT:** Minden esetben ellenőrizze, hogy a szerszám ki van kapcsolva és az akkumulátort levette, mielőtt bármilyen műveletet végez a szerszámon.

### A vágószerszámok felszerelése

**⚠VIGYÁZAT:** A vágószerszámokat mindig a helyes irányba és szorosan rögzítve szerelje fel. A helytelen vagy laza kapcsolódás a vágószerszámok törését okozhatja, és az elrepülő darabkák személyi sérülést okozhatnak.

**MEGJEGYZÉS:** A vágószerszámok sorját esetleg egy reszelővel távolítsa el.

1. Ellenőrizze, hogy a vágószerszámok pófája teljesen nyitva van-e. Ha nem, helyezze be az akkumulátort, és húzza a kapcsológombot, amíg a pofa teljesen nyitva van.

**⚠VIGYÁZAT:** Győződjön meg arról, hogy kivette az akkumulátort, ha behelyezte.

2. Állítsa a forgásirányváltó kapcsolókart a rögzítési pozícióba.

► **Ábra15:** 1. Forgásirányváltó kapcsolókar

3. Csavarja ki a fejescsavarát a mellékelt imbuszkulccsal.

**⚠VIGYÁZAT:** Mindig csak a géphez mellékelt Makita kulcsot használja. Más kulcsok használata túlzott vagy elégtelen szorítást és személyi sérülést okozhat.

4. Helyezze a vágószerszámokat a foglalatokba úgy, hogy a két színes jel látható legyen.

► **Ábra16:** 1. Fejescsavar 2. Vágószerszám  
3. Helyhez kötött foglalat 4. Mozgatható foglalat 5. Színes jel 6. Imbuszkulcs

5. Rögzítse szorosan a vágószerszámokat a fejescsavarokkal.

A vágószerszámok akkor vannak helyesen felszerelve, ha a rajtuk lévő nyilak egymásra mutatnak. A vágószerzámok méretei azonosak, de a vastagságuk fentről nézve különbözőnek tűnik.

► **Ábra17:** 1. Nyíl 2. Vágószerszám 3. Vékony oldal  
4. Vastag oldal

## MŰKÖDTETÉS

**⚠VIGYÁZAT:** Győződjön meg róla, hogy a helyes méretű vágószerzámok vannak a gépre felszerelve. Vágás előtt ellenőrizze a vágószerzámokra írt vágóteljesítményt.

**⚠VIGYÁZAT:** A kapcsológomb meghúzása előtt győződjön meg róla, hogy a menetes rudat úgy helyezte el, hogy a menete illeszkedik a vágószerzámokéival. A menetek helytelen igazítása eltérheti a vágószerzámokat, és az elrepülő darabkák személyi sérülést okozhatnak.

**⚠VIGYÁZAT:** Cserélje ki a vágószerzámokat, ha a vágóélük csorba vagy deformált.

Vágáskor helyezze a menetes rudat merőlegesen a vágás vonalára az ábrán látható módon.

► **Ábra18:** 1. Vágás vonala

**MEGJEGYZÉS:** Képlékeny fémből, például rozsdamentes acélból készült menetes rúd vágásakor sorja keletkezhet a vágott végén. Ebben az esetben távolítsa el a sorját egy reszelővel.

► **Ábra19:** 1. Menetes rúd 2. Sorja

### Rögzített menetes rudak vágása

Ha olyan menetes rudat vág, amely az épület szerkezetéhez van rögzítve, például a plafonhoz, falhoz, padlóhoz, stb., kövesse az alábbi eljárást:

► **Ábra20:** 1. Menetes rúd 2. Vágószerzám a helyhez kötött foglalatban

1. Hozza az gépet olyan helyzetbe, hogy a menetes rúd a vágószerzámok közé legyen helyezve.

2. Mikor a menetes rúd érintkezik a rúdvezetővel, illesse a rúd menetét a helyhez kötött foglalatban található vágószerzámhoz.

3. Húzza meg és tartsa a kapcsológombot, amíg a vágás kész és a vágószerzámok pófája eléri a teljesen nyitott pozíciót.

**MEGJEGYZÉS:** Működtetés előtt tisztítsa meg a gép előlapját és a vezető mérőrudat hegyét. Összepszokolhatják az érintkező felületet.

### Szabadon álló menetes rudak vágása

Ha szabadon álló menetes rudat vág a padlón vagy egy munkaasztalon, kövesse az alábbi eljárást:

► **Ábra21:** 1. Menetes rúd 2. Vágószerzám a helyhez kötött foglalatban

1. Helyezzen egy menetes rudat a vágószerzámok közé.

2. Mikor a menetes rúd érintkezik a rúdvezetővel, illesse a rúd menetét a helyhez kötött foglalatban található vágószerzámhoz.

3. Húzza meg és tartsa a kapcsológombot, amíg a vágás kész és a vágószerszámok pofája eléri a teljesen nyitott pozíciót.

Ha olyan hosszú menetes rudat vág, amelyet nehéz kézben tartani, helyezze el a gépet az ábrán látható módon. A gépet lehet vízszintesen helyezni. A fedelet is lehet használni a menetes rúd végének megtámasztására.

► **Ábra22:** 1. Fedél (1-es pozíció) 2. Rúdvezető (1-es pozíció) 3. Fedél (2-es pozíció) 4. Rúdvezető (2-es pozíció)

A fedélen jelek vannak, amelyek a pozícióját jelzik. A menetes rúd méretétől függően tegye a fedelet és a rúdvezetőt a táblázatban ábrázolt pozícióba.

| Pozíció | Menetes rúd mérete |
|---------|--------------------|
| 1       | W3/8, M10          |
| 2       | M8, M6             |

## Megszakítás a vágás közben

**⚠ VIGYÁZAT:** Soha ne próbálja meg a gépet erőszakosan elhúzni a menetes rúdtól. Váratlan elindulást okozhat, amely személyi sérülést okozhat vagy károsíthatja a vágószerszámokat és a gépet.

Ha a vágást a közben megszakítja, állítsa a forgásiirányváltó kapcsolókart a forgásiirányváltó pozícióba, és húzza a kapcsológombot, amíg a vágószerszámok teljesen el nem engedik a menetes rudat.

## KARBANTARTÁS

**⚠ VIGYÁZAT:** Minden esetben ellenőrizze, hogy a szerszám ki van kapcsolva és az akkumulátor eltávolításra került mielőtt átvizsgálja a szerszámot vagy annak karbantartását végzi.

**MEGJEGYZÉS:** Soha ne használjon gázolajt, benzint, hígítót, alkoholt vagy hasonló anyagokat. Ezek elszíneződést, alakvesztést vagy repedést okozhatnak.

## A vágószerszámok cseréje

**MEGJEGYZÉS:** Egyidőben cserélje le mindkét vágószerszámot. A vágószerszám egyik oldalának cseréje sorját okozhat a menetesrúdon.

Cserélje a vágószerszámokat, ha azok csorbultak, deformálódtak vagy a vágás életlen. A cseréhez kövesse a „Vágószerszámok felszerelése” című fejezet utasításait.

► **Ábra23:** 1. Csorbulás 2. Deformálódás

Egy vágószerszámnak két vágóéle van, egy vastag oldala és egy vékony oldala. Cserélje meg a vágószerszámok felszerelési pozícióját, ha még nem használta a vágóélek másik oldalát.

► **Ábra24:** 1. Vágóél 2. Vékony oldal 3. Vastag oldal

## A gép hordozása/tárolása

**⚠ VIGYÁZAT:** Amikor a gép nincs használatban, mindig tegye rá a mellékelt fedelet a vágó részre.

A gép hordozásakor csatlakoztassa a fedelet. A gép tárolásakor távolítsa el az akkumulátort és a vezető mérőrudat a gépről. Törölje le a vágószerszámokon és a mozgó részekben lévő port. Ezután csatlakoztassa a fedelet.

► **Ábra25:** 1. Fedél

A termék BIZTONSÁGÁNAK és MEGBÍZHATÓSÁGÁNAK fenntartása érdekében a javításokat és más karbantartásokat vagy beállításokat a Makita hivatalos vagy gyári szervizközpontjában kell elvégezni, mindig csak Makita cserealkatrészeket használva.

## OPCIONÁLIS KIEGÉSZÍTŐK

**⚠ VIGYÁZAT:** Ezen kiegészítőket és tartozékokat javasoljuk a kézikönyvben ismertetett Makita szerszámhoz. Bármilyen más kiegészítő vagy tartozék használata a személyi sérülés kockázatával jár. A kiegészítőt vagy tartozékot csak rendeltetésszerűen használja.

Ha bármilyen segítségre vagy további információkra van szüksége ezekkel a tartozékokkal kapcsolatban, keresse fel a helyi Makita Szervizközpontot.

- Vágószerszámok
- Vállszij
- Eredeti Makita akkumulátor és töltő

**MEGJEGYZÉS:** A listán felsorolt néhány kiegészítő megtalálható az eszköz csomagolásában standard kiegészítőként. Ezek országonként eltérőek lehetnek.

## TECHNICKÉ ŠPECIFIKÁCIE

|                  |                    |  |
|------------------|--------------------|--|
| <b>Model:</b>    |                    | <b>DSC102</b>                                    |
| Rezná kapacita   | Mäkká oceľ         | W3/8, M10, M8, M6                                |
|                  | Nehrdzavejúca oceľ | W3/8, M8, M6                                     |
| Celková dĺžka    |                    | 199 mm   |
| Menovité napätie |                    | Jednosmerný prúd 18 V<br>Jednosmerný prúd 14,4 V |
| Hmotnosť netto   |                    | 2,8 - 3,2 kg                                     |

- Vzhľadom k neustálemu výskumu a vývoju podliehajú technické údaje uvedené v tomto dokumente zmenám bez upozornenia.
- Technické údaje sa môžu pre rôzne krajiny líšiť.
- Hmotnosť sa môže líšiť v závislosti od nastavcov vrátane akumulátora. Najľahšia a najťažšia kombinácia v súlade s postupom EPTA 01/2014 je uvedená v tabuľke.

## Použiteľné akumulátory a nabíjačky

|            |                                     |   |
|------------|-------------------------------------|---|
| Akumulátor | Model s jednosmerným napätím 14,4 V | BL1415N / BL1430 / BL1430B / BL1440 / BL1450 / BL1460B  |
|            | Model s jednosmerným napätím 18 V   | BL1815N / BL1820 / BL1820B / BL1830 / BL1830B / BL1840 / BL1840B / BL1850 / BL1850B / BL1860B |
| Nabíjačka  |                                     | DC18RC / DC18RD / DC18RE / DC18SD / DC18SE / DC18SF   |

- Niektoré vyššie uvedené akumulátory a nabíjačky môžu byť nedostupné v závislosti od miesta vášho bydliska.

**VAROVANIE:** Používajte iba akumulátory a nabíjačky zo zoznamu uvedeného vyššie. Používanie akýchkoľvek iných akumulátorov a nabíjačiek môže spôsobiť zranenie a/alebo požiar.

## Symbols

Nižšie sú uvedené symboly, s ktorými sa môžete stretnúť pri použití nástroja. Je dôležité, aby ste poznali ich význam, skôr než začnete pracovať.



Prečítajte si návod na obsluhu.



Používajte ochranné okuliare.



Nedotýkajte sa rezacích matric počas prevádzky.



Venujte pozornosť prerazenej závitovej tyči.



Pri práci s nástrojom sa k nástroju nepribližujte tvárou.



Len pre štáty EÚ  
Nevyhadzujte elektrické zariadenia ani batériu do komunálneho odpadu!  
Podľa európskej smernice o nakladaní s použitými elektrickými a elektronickými zariadeniami a smernice o batériách a akumulátoroch a odpadových batériách a akumulátoroch a ich implementovaní v súlade s právnymi predpismi jednotlivých krajín je nutné elektrické zariadenia a batérie po skončení ich životnosti triediť a odovzdať na zberné miesto vykonávajúce environmentálne kompatibilné recyklovanie.

## Určené použitie

Tento nástroj je určený na rezanie závitových tyčí.

## Hluk

Typická hladina akustického tlaku záťaže A určená podľa štandardu EN62841:  
Úroveň akustického tlaku ( $L_{pA}$ ): 71 dB (A)  
Odchýlka (K): 3 dB (A)

Úroveň hluku pri práci môže prekročiť 80 dB (A).

**VAROVANIE:** Používajte ochranu sluchu.

## Vibrácie

Celková hodnota vibrácií (trojosový vektorový súčet) určená podľa štandardu EN62841:  
Režim činnosti: rezanie závitovej tyče z nerezovej ocele (veľkosť tyče W3/8)  
Emisie vibrácií ( $a_w$ ): 2,5 m/s<sup>2</sup> alebo menej  
Odchýlka (K): 1,5 m/s<sup>2</sup>

**POZNÁMKA:** Deklarovaná hodnota emisií vibrácií bola meraná podľa štandardnej skúšobnej metódy a môže sa použiť na porovnanie jedného nástroja s druhým.

**POZNÁMKA:** Deklarovaná hodnota emisií vibrácií sa môže použiť aj na predbežné posúdenie vystavenia ich účinkom.

**VAROVANIE:** Emisie vibrácií počas skutočného používania elektrického nástroja sa môžu odlišovať od deklarovanej hodnoty emisií vibrácií, a to v závislosti od spôsobov používania náradia.

**VAROVANIE:** Nezabudnite označiť bezpečnostné opatrenia s cieľom chrániť obsluhu, a to tie, ktoré sa zakladajú na odhade vystavenia účinkom v rámci reálnych podmienok používania (berúc do úvahy všetky súčasti prevádzkového cyklu, ako sú doby, kedy je nástroj vypnutý a kedy beží bez zaťaženia, ako dodatok k dobe zapnutia).

## Vyhľadanie o zhode ES

### Len pre krajiny Európy

Vyhľadanie o zhode ES sa nachádza v prílohe A tohto návodu na obsluhu.

## BEZPEČNOSTNÉ VAROVANIA

### Všeobecné bezpečnostné predpisy pre elektrické nástroje

**VAROVANIE:** Preštudujte si všetky bezpečnostné varovania, pokyny, vyobrazenia a technické špecifikácie určené pre tento elektrický nástroj. Pri nedodržaní všetkých nižšie uvedených pokynov môže dôjsť k úrazu elektrickým prúdom, požiaru alebo vážnemu zraneniu.

### Všetky výstrahy a pokyny si odložte pre prípad potreby v budúcnosti.

Pojem „elektrický nástroj“ sa vo výstrahách vzťahuje na elektricky napájané elektrické nástroje (s káblom) alebo batériou napájané elektrické nástroje (bez kábla).

## Bezpečnostné varovania pre akumulátorovú rezačku závitových tyčí

1. **Nástroj držte pevne.**
2. **Obrobok pevne zaistite.**
3. **Udržujte tvár a ruky v dostatočnej vzdialenosti od pohyblivých častí.** Pri rezaní môže časť závitovej tyče odletieť.
4. **Pri manipulácii so závitovými tyčami vždy používajte rukavice.** Hrany a piliny obrobku sú ostré.
5. **Nástroj nekladte na piliny obrobku.** V opačnom prípade môže dôjsť k poškodeniu alebo problémom s nástrojom.
6. **Vždy dbajte na pevný postoj.** Ak pracujete vo výškach, dbajte na to, aby pod vami nikto nebol.
7. **Nedotýkajte sa reznej hrany ani obrobku hneď po práci.** Môžu byť veľmi horúce a môžete sa popáliť!
8. **Nerežte elektrické káble.** Môže to spôsobiť vážny úraz elektrickým prúdom.
9. **Závitovú tyč držte počas rezania a po rezaní vždy tak, aby odrezaná tyč neodpadla.** Odrezaná závitová tyč môže pri páde z výšky spôsobiť vážne zranenie.
10. **Udržujte bezpečnú vzdialenosť medzi telom a pohyblivými časťami.** Nástroj nepoužívajte, ak je pracovný priestor príliš úzky na udržanie bezpečnej vzdialenosti.
11. **Nástroj nikdy nenechávajte bez dozoru vo veľkej výške, ani ho nepoužívajte na potenciálne nestabilnom povrchu.**

## TIETO POKYNY USCHOVAJTE.

**VAROVANIE:** NIKDY nepripustíte, aby seba-vedomie a dobrá znalosť výrobku (získané opakovaným používaním) nahradili presné dodržiavanie bezpečnostných pravidiel pre náradie.

**NESPRÁVNE POUŽÍVANIE** alebo nedodržiavanie bezpečnostných zásad uvedených v tomto návode môže viesť k vážnemu zraneniu.

## Dôležité bezpečnostné a prevádzkové pokyny pre akumulátor

1. **Pred použitím akumulátora si prečítajte všetky pokyny a výstavné označenia na (1) nabíjačke akumulátorov, (2) akumulátore a (3) produkte používajúcom akumulátor.**
2. **Akumulátor nerozoberajte.**
3. **Ak sa doba prevádzky príliš skráti, ihneď prerušte prácu.** Môže nastať riziko prehriatia, možných popálením či dokonca explózie.
4. **V prípade zasiahnutia očí elektrolytom ich vypláchnite čistou vodou a okamžite vyhľadajte lekársku pomoc.** Môže dôjsť k strate zraku.

5. **Akumulátor neskratujte:**
  - (1) **Nedotýkajte sa konektorov žiadnym vodičným materiálom.**
  - (2) **Neskladujte akumulátor v obale s inými kovovými predmetmi, napríklad klincami, mincami a pod.**
  - (3) **Akumulátor nevystavujte vode ani dažďu. Skrat akumulátora môže spôsobiť veľký tok prúdu, prehriate, možné popálenie či dokonca poruchu.**
6. **Neskladujte nástroj ani akumulátor na miestach s teplotou presahujúcou 50 °C (122 °F).**
7. **Akumulátor nespáľujte, ani keď je vážne poškodený alebo úplne opotrebovaný. Akumulátor môže v ohni explodovať.**
8. **Dávajte pozor, aby akumulátor nespadol, a nevystavujte ho nárazom.**
9. **Nepoužívajte poškodený akumulátor.**
10. **Lítium-iónové akumulátory, ktoré sú súčasťou u náradia, podliehajú požiadavkám legislatívy o nebezpečnom tovare.**

V prípade obchodnej prepravy, napr. dodanie tretími stranami či špeditéri, sa musia dodržiavať špeciálne požiadavky na zabalenie a označenie. Pred prípravou položky na odoslanie sa vyžaduje konzultácia s odborníkom na nebezpečný materiál. Taktiež treba dodržiavať potenciálne podrobnejšie predpisy príslušnej krajiny. Prelepte alebo zakryte otvorené kontakty a zabaľte akumulátor tak, aby sa v balíku nemohol voľne pohybovať.
11. **Akumulátor zlikvidujte v súlade s miestnymi nariadeniami.**
12. **Akumulátory používajte iba s výrobkami uvedenými spoločnosťou Makita. Inštalácia akumulátorov do nevyhovujúcich výrobkov môže spôsobiť požiar, nadmerné teplo, výbuch alebo únik elektrolytov.**

## TIETO POKYNY USCHOVAJTE.

**⚠ POZOR:** Používajte len originálne akumulátory od spoločnosti Makita. Používanie batérií, ktoré nie sú od spoločnosti Makita, alebo upravených batérií môže spôsobiť výbuch batérie a následný požiar, zranenie osôb alebo poškodeniu majetku. Následkom bude aj zrušenie záruky od spoločnosti Makita na nástroj a nabíjačku od spoločnosti Makita.

## Rady na udržanie maximálnej životnosti akumulátora

1. **Akumulátor nabíjajte ešte predtým, ako sa úplne vybije. Vždy prerušte prácu s nástrojom a nabíjajte akumulátor, keď spozorujete nižší výkon nástroja.**
2. **Nikdy nenabíjajte plne nabitý akumulátor. Prebíjanie skracuje životnosť akumulátora.**
3. **Akumulátor nabíjajte pri izbovej teplote 10 °C – 40 °C (50 °F – 104 °F). Pred nabíjaním nechajte horúci akumulátor vychladnúť.**
4. **Lítium-iónový akumulátor nabíjajte, ak ste ho nepoužívali dlhšie ako šesť mesiacov.**

## POPIS SÚČASTÍ

### ► Obr.1

|    |                  |    |   |    |                                 |    |                 |
|----|------------------|----|---|----|---------------------------------|----|-----------------|
| 1  | Pevný držiak     | 2  | Pohyblivý držiak                                      | 3  | Rezacia matrica                 | 4  | Skrutka         |
| 5  | Háčik            | 6  | Úchyt na popruh na plece (na voľiteľné príslušenstvo) | 7  | Šesťhranný imbusový kľúč        | 8  | Svetlo (vnútri) |
| 9  | Predná strana    | 10 | Spúšťač spínača                                       | 11 | Prepínacia páčka smeru otáčania | 12 | Vodidlo tyče    |
| 13 | Stupnica vodidla | 14 | Upínacia skrutka                                      | 15 | Kryt                            | -  | -               |

## OPIS FUNKCIÍ

**⚠️ POZOR:** Pred úpravou alebo kontrolou funkčnosti nástroja vždy skontrolujte, či je nástroj vypnutý a akumulátor je vybratý.

### Inštalácia alebo demontáž akumulátora

**⚠️ POZOR:** Pred inštaláciou alebo vybratím akumulátora nástroj vždy vypnite.

**⚠️ POZOR:** Pri inštalovaní a vyberaní akumulátora pevne uchopíte nástroj a akumulátor. Ak nástroj a akumulátor pevne neuchopíte, môže to mať za následok vyšmyknutie z vašich rúk s dôsledkom poškodenia nástroja a akumulátora, ako aj osobných poranení.

► **Obr.2:** 1. Červený indikátor 2. Tlačidlo 3. Akumulátor

Ak chcete vybrať akumulátor, vysuňte ho z nástroja, pričom posuňte tlačidlo na prednej strane akumulátora.

Akumulátor vložíte tak, že jazýček akumulátora zarovnáte s drážkou v kryte a zasuniete ho na miesto. Zatláčte ho úplne, kým zakliknutím nezapadne na miesto. Ak vidíte červený indikátor na hornej strane tlačidla, nie je správne zapadnutý.

**⚠️ POZOR:** Akumulátor vždy nainštalujte úplne, až kým nie je vidieť červený indikátor. V opačnom prípade môže náhodne vypadnúť z nástroja a ublížiť vám alebo osobám v okolí.

**⚠️ POZOR:** Pri inštalovaní akumulátora nepoužívajte silu. Ak sa akumulátor nedá zasunúť ľahko, nevkladáte ho správne.

### Systém na ochranu nástroja/ akumulátora

Nástroj je vybavený systémom ochrany nástroja/akumulátora. Tento systém automaticky vypne napájanie motora s cieľom predĺžiť životnosť nástroja a akumulátora. Nástroj sa počas prevádzky automaticky zastaví v prípade, ak sa nástroj alebo akumulátor dostanú do jedného z nasledovných stavov. V niektorých stavoch sa rozsvietia indikátory.

### Ochrana proti preťaženiu

Keď sa nástroj používa spôsobom, ktorý spôsobuje odber neštandardne vysokého prúdu, nástroj sa bez upozornenia automaticky vypne. V tejto situácii vypnite nástroj a ukončíte prácu, ktorá spôsobuje preťažovanie nástroja. Potom nástroj znova zapnutím spustíte.

**POZNÁMKA:** Ochrana proti preťaženiu sa aktivuje, keď sa pokúsite rezať nasledujúce druhy závitovej tyče.

- Závitová tyč, ktorá je väčšia ako veľkosť rezacích matric.
- Závitová tyč, ktorá je tvrdšia ako rezná kapacita rezacích matric.

### Ochrana pred prehrievaním

Nástroj sa pri prehriatí automaticky vypne a kontrolka bude blikať. Nechajte nástroj pred jeho opätovným spustením vychladnúť.

### Ochrana pred nadmerným vybitím

Keď sa kapacita akumulátora zníži, nástroj sa automaticky zastaví. Ak produkt nebude fungovať ani po použití vypínača, z nástroja vyberte akumulátory a nabite ich.

### Indikácia zvyšnej kapacity akumulátora

*Len na akumulátory s indikátorom*

► **Obr.3:** 1. Indikátory 2. Tlačidlo kontroly

Stlačením tlačidla kontroly na akumulátore zobrazíte zostávajúcu kapacitu akumulátora. Indikátory sa na niekoľko sekúnd rozsvietia.

| Indikátory |          |       | Zostávajúca kapacita        |
|------------|----------|-------|-----------------------------|
| Svieti     | Nesvieti | Bliká |                             |
|            |          |       | 75 % až 100 %               |
|            |          |       | 50 % až 75 %                |
|            |          |       | 25 % až 50 %                |
|            |          |       | 0 % až 25 %                 |
|            |          |       | Akumulátor nabite.          |
|            |          |       | Akumulátor je možno chybný. |
|            |          |       |                             |

**POZNÁMKA:** V závislosti od podmienok používania a v závislosti od okolitej teploty sa môže zobrazenie mierne odlišovať od skutočnej kapacity.

### Zapínanie

**⚠️ POZOR:** Pred vložením akumulátora do nástroja sa vždy presvedčíte, či spúšťač spínač funguje správne a po uvoľnení sa vráti do pozície „OFF“.

Ak chcete spustiť rezanie, držte stlačený spúšťač spínač. Rezacia matrica na pohyblivom držiaku sa prekryje s matricou na pevnom držiaku a potom sa vráti. Ak uvoľníte spúšťač spínač pred dokončením rezu, rezacie matrice sa zastavia.

► **Obr.4:** 1. Spúšťač spínač

► **Obr.5:** 1. Pevný držiak 2. Rezacia matrica 3. Pohyblivý držiak

**UPOZORNENIE:** Nepoužívajte nástroj zbytočne bez záťaž.



## Funkcia automatického zastavenia

Keď budete naďalej držať spúšťací spínač stlačený, čeľusť matric sa uzavrie, potom sa vráti do úplnej otvorenej polohy a zastaví sa. Ak chcete začať ďalšie rezanie, uvoľníte spínač a znova ho stlačíte.

## Prepínacia páčka smeru otáčania

**VAROVANIE:** Keď nástroj nepoužívate, vždy prepnite prepínaciu páčku smeru otáčania do polohy zablokovania.

**POZOR:** Pred prácou s nástrojom vždy skontrolujte polohu prepínacej páčky smeru otáčania.

**UPOZORNENIE:** Neprepínajte prepínaciu páčku smeru otáčania, keď je spúšťací spínač stlačený. V opačnom prípade môže dôjsť k poškodeniu nástroja.

Keď chcete začať rezať, prepínaciu páčku smeru otáčania prepnite do polohy rezania.

Keď chcete zmeniť postupnosť rezania do opačného smeru, prepínaciu páčku smeru otáčania prepnite do polohy spätného chodu. Keď budete naďalej držať spúšťací spínač stlačený, čeľusť rezacích matric sa otvorí a zastaví sa v úplne otvorenej polohe.

Ak chcete zablokovať spúšťací spínač, prepínaciu páčku smeru otáčania prepnite do polohy zablokovania. V tejto polohe sa spúšťací spínač nedá stlačiť.

► **Obr.6:** 1. Prepínacia páčka smeru otáčania  
2. Poloha rezania 3. Poloha zablokovania  
4. Poloha spätného chodu

**UPOZORNENIE:** Keď je prepínacia páčka smeru otáčania v polohe spätného chodu, nástroj používajte len v prípade potreby. Keď je nástroj trvale spustený v spätnom chode, automaticky sa zastaví, aby sa nepoškodil.

**POZNÁMKA:** Ak po prerezaní uvoľníte spúšťací spínač, kým sa čeľusť rezacích matric otvára, a potom prepínaciu páčku smeru otáčania prepnete do polohy spätného chodu, čeľusť sa zavrie a otvorí sa, až keď spúšťací spínač znova stlačíte.

## Svetlo LED

**POZOR:** Neďívajte sa priamo do svetla ani jeho zdroja.

Lampu rozsvietite stlačením spúšťacieho spínača. Lampa svieti, kým stlačíte spúšťací spínač. Lampa zhasne asi 15 sekúnd po uvoľnení spúšťacieho spínača.

► **Obr.7:** 1. Svetlo (vnútri)

**POZNÁMKA:** Suchou tkaninou utrite znečistené šošovky lampy. Dávajte pozor, aby sa šošovky lampy nepoškriabali. Mohla by sa znížiť intenzita osvetlenia.

**POZNÁMKA:** Pri prehriatí nástroja lampa bliká. V takom prípade nechajte nástroj vychladnúť.

## Stupnica vodidla

Pomocou stupnice vodidla môžete rezať závitové tyče na rovnakú dĺžku. Vložte stupnicu vodidla do otvoru podľa obrázku.

► **Obr.8:** 1. Stupnica vodidla 2. Upínacia skrutka

Hodnotu požadovanej dĺžky na stupnici vodidla zarovnajete s reznou líniou. Potom utiahnete upínaciu skrutku.

► **Obr.9:** 1. Stupnica vodidla 2. Rezná línia  
3. Upínacia skrutka

**POZOR:** Nepoužívajte stupnicu vodidla na držanie alebo manipuláciu s nástrojom. V opačnom prípade môže nástroj spadnúť a spôsobiť zranenie alebo poškodenie nástroja.

## Vodidlo tyče

Pre presné rezanie nastavte vodidlo tyče do polohy v závislosti od priemeru rezanej závitovej tyče.

► **Obr.10:** 1. Vodidlo tyče (poloha 1) 2. Vodidlo tyče (poloha 2)

K dispozícii sú dve polohy vodidla tyče.

| Poloha | Veľkosť závitovej tyče |
|--------|------------------------|
| 1      | W3/8, M10              |
| 2      | M8, M6                 |

## Háčik

**POZOR:** Nástroj nikdy nenechávajte zavesený vo veľkej výške ani na potenciálne nestabilnom povrchu.

**POZOR:** Nepoužívajte háčik, ak je deformovaný alebo poškodený.

**POZOR:** Ak s nástrojom nepracujete, háčik vždy zložte.

Hák je praktický na dočasné zavesenie nástroja.

► **Obr.11:** 1. Háčik

**POZOR:** Náradie si nevešajte na opasok. V opačnom prípade môže nástroj spadnúť a dôjsť k zraneniu alebo poškodeniu nástroja.

► **Obr.12**

## Uskladnenie šesťhranného kľúča

Keď šesťhranný kľúč nepoužívate, odložte ho podľa znázornenia na obrázku, aby sa nestratil.

► **Obr.13:** 1. Šesťhranný kľúč

## Popruh na plece

### Voliteľné príslušenstvo

Popruh na plece slúži na pohodlné prenášanie nástroja.

- **Obr.14:** 1. Popruh na plece 2. Koniec remienka 3. Spona

**▲POZOR:** Popruh na plece vždy noste prekřížený cez hlavu a nastavený na správnu dĺžku.

**▲POZOR:** Popruh na plece nepoužívajte, ak je poškodený.

**▲POZOR:** Ponechajte dostatočnú dĺžku medzi sponou a koncom remienka, aby sa zabránilo vyšmyknutiu konca remienka cez sponu.

## ZOSTAVENIE

**▲POZOR:** Pred vykonaním akejkoľvek práce na nástroji vždy skontrolujte, či je nástroj vypnutý a akumulátor je vybratý.

### Vloženie rezacích matric

**▲POZOR:** Rezacie matrice vždy vložte správnym smerom a pevne zaistíte. Nesprávne alebo voľné upevnenie môže spôsobiť zlomenie rezacích matric a následne zranenie odletujúcimi kúskami.

**UPOZORNENIE:** Pripadné ostrapy na rezacích matriciach odstráňte pomocou pilníka.

1. Skontrolujte, či je čelusť rezacích matric úplne otvorená. Ak nie je, vložte batériu a stlačte spúšťací spínač, kým sa čelusť úplne neotvorí.

**▲POZOR:** Nezabudnite vybrať akumulátor, ak je vložený.

2. Posuňte prepínaciu páčku smeru otáčania do polohy zablokovania.

- **Obr.15:** 1. Prepínacia páčka smeru otáčania

3. Odskrutkujte skrutky pomocou šesťhranného kľúča.

**▲POZOR:** Vždy používajte len kľúč Makita dodaný s nástrojom. Použitie iných kľúčov môže spôsobiť prílišné alebo nedostatočné utiahnutie skrutky a následne zranenie.

4. Rezacie matrice vložte do držiakov tak, aby ste videli dve farebné značky.

- **Obr.16:** 1. Skrutka 2. Rezacia matrica 3. Pevný držiak 4. Pohyblivý držiak 5. Farebná značka 6. Šesťhranný imbusový kľúč

5. Rezacie matrice pevne zaistíte skrutkami.

Rezacie matrice sú správne vložené, ak šípky na nich smerujú k sebe. Rozmery rezacích matric sú rovnaké, ale ich hrúbka je pri pohľade zhora odlišná.

- **Obr.17:** 1. Šípka 2. Rezacia matrica 3. Tenká strana 4. Hrubá strana

## PREVÁDZKA

**▲POZOR:** Dbajte na to, aby boli v nástroji vložené rezacie matrice správnej veľkosti. Pred rezaním skontrolujte reznú kapacitu uvedenú na rezacích matriciach.

**▲POZOR:** Pred stlačením spúšťacieho spínača nastavte závitovú tyč tak, aby bol závit zarovnaný so závitmi na rezacích matriciach. Nesprávne zarovnanie závitov môže spôsobiť zlomenie rezacích matric a následne zranenie odletujúcimi kúskami.

**▲POZOR:** Ak je rezná hrana naštrbená alebo deformovaná, vymeňte rezacie matrice.

Pri rezaní umiestnite závitovú tyč kolmo na reznú líniu podľa obrázka.

- **Obr.18:** 1. Rezná línia

**POZNÁMKA:** Pri rezaní závitovej tyče z kujaného kovu, ako je nehrdzavejúca oceľ, môžu na odrezanom konci vzniknúť ostrapy. V takom prípade ich odstráňte pilníkom.

- **Obr.19:** 1. Závitová tyč 2. Ostrapok

### Rezanie pripevnených závitových tyčí

Pri rezaní závitovej tyče, ktorá je pripevnená ku konštrukcii budovy, ako napr. k stropu, stene, podlahe a pod., použite nasledovný postup:

- **Obr.20:** 1. Závitová tyč 2. Rezacia matrica na pevnom držiaku

1. Nástroj umiestnite tak, aby sa závitová tyč nachádzala medzi rezacími matricami.
2. Keď sa závitová tyč dotýka vodidla tyče, zarovnajete závit tyče so závitom rezacej matrice na pevnom držiaku.
3. Stlačte a podržte spúšťací spínač, kým sa nedokončí rez a čelusť rezacích matric sa nevráti do úplne otvorenej polohy.

**UPOZORNENIE:** Pred prácou s nástrojom očistite prednú stranu nástroja a špičku stupnice vodidla. Môžu byť znečistené po kontakte s povrchom.

### Rezanie voľných závitových tyčí

Pri rezaní voľnej závitovej tyče na podlahe alebo pracovnom stole použite nasledovný postup:

- **Obr.21:** 1. Závitová tyč 2. Rezacia matrica na pevnom držiaku

1. Umiestnite závitovú tyč medzi rezacie matrice.
2. Keď sa závitová tyč dotýka vodidla tyče, zarovnajete závit tyče so závitom rezacej matrice na pevnom držiaku.
3. Stlačte a podržte spúšťací spínač, kým sa nedokončí rez a čelusť rezacích matric sa nevráti do úplne otvorenej polohy.

Pri rezaní dlhej závitovej tyče, ktorá sa ťažko drží v ruke, umiestnite nástroj podľa obrázka. Nástroj je možné umiestniť naplocho. Kryt je tiež možné použiť na podporu konca závitovej tyče.

- **Obr.22:** 1. Kryt (poloha 1) 2. Vodidlo tyče (poloha 1)  
3. Kryt (poloha 2) 4. Vodidlo tyče (poloha 2)

Kryt má značky označujúce jeho polohu. V závislosti od veľkosti závitovej tyče uveďte kryt do polohy podľa tabuľky a vodidla tyče.

| Poloha | Veľkosť závitovej tyče |
|--------|------------------------|
| 1      | W3/8, M10              |
| 2      | M8, M6                 |

## Ukončenie nedokončeného rezu

**⚠ POZOR:** Nikdy sa nepokúšajte vytiahnuť nástroj zo závitovej tyče nasilu. Mohol by sa nečakane spustiť, čo môže spôsobiť zranenie alebo poškodenie rezacích matric alebo nástroja.

Pri ukončení nedokončeného rezu prepnite prepínaciu páčku smeru otáčania do polohy spätného chodu a stlačte spúšťači spínač, kým sa závitová tyč úplne neuvolní z rezacích matric.

## ÚDRŽBA

**⚠ POZOR:** Pred vykonaním kontroly alebo údržby vždy skontrolujte, či je nástroj vypnutý a akumulátor je vybratý.

**UPOZORNENIE:** Nepoužívajte benzín, riedidlo, alkohol ani podobné látky. Mohlo by to spôsobiť zmenu farby, deformácie alebo praskliny.

## Výmena rezacích matric

**UPOZORNENIE:** Obe rezacie matrice vymeňte naraz. Výmena matrice len na jednej strane môže spôsobiť ostrapy na závitovej tyči.

Rezacie matrice vymeňte, keď sú vyštrbené, deformované alebo tupé. Pri výmene postupujte podľa pokynov v časti Vloženie rezacích matric.

- **Obr.23:** 1. Vyštrbenie 2. Deformácia

Jedna rezacia matrica má dve rezné hrany a hrubú a tenkú stranu. Zameňte polohu vloženia rezacích matric, ak ste ich ešte nepoužívali na druhej strane.

- **Obr.24:** 1. Rezná hrana 2. Tenká strana 3. Hrubá strana

## Prenášania/skladovanie nástroja

**⚠ POZOR:** Keď sa nástroj nepoužíva, na reznú časť vždy nasadte dodávaný kryt.

Kryt nasadte aj pri prenášaní nástroja.

Pri skladovaní nástroja z neho vyberte akumulátor a stupnicu vodidla. Očistite rezacie matrice a pohyblivé časti od prachu. Potom nasadte kryt.

- **Obr.25:** 1. Kryt

Ak chcete udržať BEZPEČNOSŤ a BEZPORUCHOVOSŤ výrobku, prenechajte opravy, údržbu a nastavenie na autorizované alebo továrenské servisné centrá Makita, ktoré používajú len náhradné diely značky Makita.

# VOLITEL'NÉ PRÍSLUŠENSTVO

**⚠ POZOR:** Pre váš nástroj Makita, opísaný v tomto návode, doporučujeme používať toto príslušenstvo a nástavce. Pri použití iného príslušenstva či nástavcov môže hroziť nebezpečenstvo zranenia osôb. Príslušenstvo a nástavce sa môžu používať len na účely pre ne stanovené.

Ak potrebujete bližšie informácie týkajúce sa tohoto príslušenstva, obráťte sa na vaše miestne servisné stredisko firmy Makita.

- Rezacie matrice
- Popruh na plece
- Originálna batéria a nabíjačka Makita

**POZNÁMKA:** Niektoré položky zo zoznamu môžu byť súčasťou balenia nástrojov vo forme štandardného príslušenstva. Rozsah týchto položiek môže byť v každej krajine odlišný.

## SPECIFIKACE

| Model:           |               | DSC102               |
|------------------|---------------|----------------------|
| Kapacity řezání  | Měkká ocel    | W3/8, M10, M8, M6    |
|                  | Nerezová ocel | W3/8, M8, M6         |
| Celková délka    |               | 199 mm               |
| Jmenovité napětí |               | 18 V DC<br>14,4 V DC |
| Hmotnost netto   |               | 2,8 - 3,2 kg         |

- Vzhledem k neustálému výzkumu a vývoji zde uvedené technické údaje podléhají změnám bez upozornění.
- Specifikace se mohou pro různé země lišit.
- Hmotnost se může lišit v závislosti na nástavcích a přídatných zařízeních, včetně akumulátoru. Nejlehčí a nejtěžší kombinace, dle EPTA-Procedure 01/2014, jsou uvedeny v tabulce níže.

## Použitelný akumulátor a nabíječka







|            |              |   |
|------------|--------------|---|
| Akumulátor | Model 14,4 V | BL1415N / BL1430 / BL1430B / BL1440 / BL1450 / BL1460B  |
|            | Model 18 V   | BL1815N / BL1820 / BL1820B / BL1830 / BL1830B / BL1840 / BL1840B / BL1850 / BL1850B / BL1860B |
| Nabíječka  |              | DC18RC / DC18RD / DC18RE / DC18SD / DC18SE / DC18SF   |

- V závislosti na regionu vašeho bydliště nemusí být některé akumulátory a nabíječky k dispozici.

**VAROVÁNÍ:** Používejte pouze výše uvedené akumulátory a nabíječky. Použití jiných akumulátorů a nabíječek může způsobit zranění a/nebo požár.

## Symbyoly

Níže jsou uvedeny symboly, se kterými se můžete při použití nářadí setkat. Je důležité, abyste dříve, než s ním začnete pracovat, pochopili jejich význam.

|  |  |
|--|--|
|    | Přecházejte si návod k obsluze.  |
|   | Noste ochranné brýle.  |
|  | Nedotýkejte se stříhací matrice během provozu.   |
|  | Dávejte pozor na řezanou závitovou tyč.  |
|  | Nepřibližujte obličej k nářadí během jeho provozu.   |
|  | Pouze pro země EU<br>Elektrické zařízení ani akumulátor nelikvidujte současně s domovním odpadem! Vzhledem k dodržování evropských směrnic o odpadních elektrických a elektronických zařízeních a směrnice o bateriích, akumulátorech a odpadních bateriích a akumulátorech s jejich implementací v souladu s národními zákony musí být elektrická zařízení, baterie a akumulátory po skončení životnosti odděleně shromážděny a předány do ekologicky kompatibilního recyklačního zařízení. |

## Účel použití

Nářadí slouží ke stříhání závitových tyčí.

## Hlučnost

Typická vážená hladina hluku (A) určená podle normy EN62841:

Hladina akustického tlaku ( $L_{pA}$ ): 71 dB(A)

Nejistota (K): 3 dB(A)

Hladina hluku při práci může překročit hodnotu 80 dB (A).

**VAROVÁNÍ:** Používejte ochranu sluchu.

## Vibrace

Celková hodnota vibrací (vektorový součet tří os) určená podle normy EN62841:

Pracovní režim: stříhání závitové tyče z nerezové oceli (velikost tyče W3/8)

Emise vibrací ( $a_{hv}$ ): 2,5  $m/s^2$  nebo méně

Nejistota (K): 1,5  $m/s^2$

**POZNÁMKA:** Hodnota deklarovaných emisí vibrací byla změřena standardní zkušební metodou a dá se použít k porovnání nářadí mezi sebou.

**POZNÁMKA:** Hodnotu deklarovaných emisí vibrací lze také použít k předběžnému posouzení míry expozice vibracím.

**VAROVÁNÍ:** Emise vibrací při používání elektrického nářadí ve skutečnosti se mohou od hodnoty deklarovaných emisí vibrací lišit v závislosti na způsobech použití nářadí.

**VAROVÁNÍ:** Nezapomeňte stanovit bezpečnostní opatření na ochranu obsluhy podle odhadu expozice ve skutečných podmínkách použití. (Vezměte přitom v úvahu všechny části provozního cyklu, tj. kromě doby zátěže například doby, kdy je nářadí vypnuté a kdy běží naprázdno.)

## Prohlášení ES o shodě

### Pouze pro evropské země

Prohlášení ES o shodě je obsaženo v Příloze A tohoto návodu k obsluze.

## BEZPEČNOSTNÍ VÝSTRAHY

### Obecná bezpečnostní upozornění k elektrickému nářadí

**VAROVÁNÍ:** Přečtěte si všechny bezpečnostní výstrahy i pokyny a prohlédněte si ilustrace a specifikace dodané k tomuto elektrickému nářadí. Nedodržení všech níže uvedených pokynů může vést k úrazu elektrickým proudem, požáru či vážnému zranění.

## Všechna upozornění a pokyny si uschovejte pro budoucí potřebu.

Pojem „elektrické nářadí“ v upozorněních označuje elektrické nářadí, které se zapojuje do elektrické sítě, nebo elektrické nářadí využívající akumulátory.

### Bezpečnostní varování k akumulátorovému stříhači závitových tyčí

1. Držte nářadí pevně.
2. Obráběný materiál pevně zajistěte.
3. Dbejte, aby váš obličej a ruce byly v dostatečné vzdálenosti od pohyblivých částí. Během stříhání může odlétnout kousek závitové tyče.
4. Při manipulaci se závitovými tyčemi vždy používejte rukavice. Hrany a odštěpky obrobku jsou ostré.
5. Nevkládejte nářadí na odštěpky z obrobku. Jinak se může poškodit a vykazovat poruchy.
6. Vždy zaujměte stabilní postoj. Při práci s nářadím ve výškách dbejte, aby se pod vámi nepohybovaly žádné osoby.
7. Nedotýkejte se bezprostředně po skončení práce stříhacího ostří ani obrobku. Mohou být velmi horké a mohly by způsobit popáleniny kůže.
8. Nestříhejte elektrické dráty. Může to způsobit vážnou nehodu v důsledku zásahu elektrickým proudem.

9. Vždy držte závitovou tyč během i po stříhání tak, aby neupadla. Stříhaná závitová tyč může způsobit vážné zranění, jestliže například spadne z výšky.
10. Udržujte bezpečnou vzdálenost mezi svým tělem a pohyblivými částmi. Je-li pracovní oblast příliš úzká k udržení bezpečné vzdálenosti, nepoužívejte toto nářadí.
11. Nikdy nářadí nenechávejte ve výšce nebo na potenciálně nestabilním povrchu.

## TYTO POKYNY USCHOVEJTE.

**VAROVÁNÍ:** NEDOVOLTE, aby pohodlnost nebo pocit znalosti výrobku (získaný na základě předchozího použití) vedl k zanedbání dodržování bezpečnostních pravidel platných pro tento výrobek.

**NESPRÁVNÉ POUŽÍVÁNÍ** či nedodržení bezpečnostních pravidel uvedených v tomto návodu k obsluze může způsobit vážné zranění.

### Důležitá bezpečnostní upozornění pro akumulátor

1. Před použitím akumulátoru si přečtěte všechny pokyny a varovné symboly na (1) nabíječe, (2) akumulátoru a (3) výrobku využívajícím akumulátor.
2. Akumulátor nerozebírejte.
3. Pokud se příliš zkrátí provozní doba akumulátoru, přerušte okamžitě práci. V opačném případě existuje riziko přehřívání, popálení nebo dokonce výbuchu.
4. Budou-li vaše oči zasaženy elektrolytem, vypláchněte je čistou vodou a okamžitě vyhledejte lékařskou pomoc. Může dojít ke ztrátě zraku.
5. Akumulátor nezkratujte:
  - (1) Nedotýkejte se svorek žádným vodivým materiálem.
  - (2) Neskladujte akumulátor v nádobě s jinými kovovými předměty, jako jsou hřebíky, mince, apod.
  - (3) Nevystavujte akumulátor vodě a dešti. Zkrat akumulátoru může způsobit velký průtok proudu, přehřátí, možné popálení a dokonce i poruchu.
6. Neskladujte nářadí a akumulátor na místech, kde může teplota překročit 50 °C (122 °F).
7. Nespalujte akumulátor, ani když je vážně poškozen nebo úplně opotřeben. Akumulátor může v ohni vybuchnout.
8. Dávejte pozor, abyste akumulátor neupustili ani s ním nenaráželi.
9. Nepoužívejte poškozené akumulátory.
10. Obsažené lithium-iontové akumulátory podléhají právním požadavkům na nebezpečné zboží. V případě komerční přepravy například externími dopravci je třeba dodržet zvláštní požadavky na balení a značení. Pro přípravu zboží k přepravě je nutná konzultace s odborníkem na nebezpečný materiál. Dodržujte také případné podrobnější národní předpisy. Odkryté kontakty přelepte izolační páskou či jinak zakryjte a akumulátory zabalte tak, aby se v balení nemohly pohybovat.

11. Při likvidaci akumulátoru postupujte podle místních předpisů.
12. Akumulátor používejte pouze s výrobky specifikovanými společností Makita. Instalace akumulátoru do nevyhovujících výrobků může způsobit požár, nadměrné zahřívání, explozi nebo únik elektrolytu.

## TYTO POKYNY USCHOVEJTE.

**⚠ UPOZORNĚNÍ:** Používejte pouze originální akumulátory Makita. Používání neoriginálních nebo upravených akumulátorů může způsobit explozi akumulátoru a následný požár, zranění a jiné poškození. Zaniká tím také záruka společnosti Makita na nářadí a nabíječku Makita.

## Tipy k zajištění maximální životnosti akumulátoru

1. Akumulátor nabíjete dříve, než dojde k jeho úplnému vybití. Pokud si povšimnete sníženého výkonu nářadí, vždy jej zastavte a dobijte akumulátor.
2. Nikdy nenabíjete úplně nabitý akumulátor. Přebíjení zkracuje životnost akumulátoru.
3. Akumulátor dobíjete při pokojové teplotě od 10 °C do 40 °C (50 °F až 104 °F). Před nabíjením nechte horký akumulátor zchladnout.
4. Pokud se akumulátor delší dobu nepoužívá (déle než šest měsíců), je nutno jej dobít.

## POPIS DÍLŮ

### ► Obr.1

|    |                         |    |  |    |                               |    |                 |
|----|-------------------------|----|--|----|-------------------------------|----|-----------------|
| 1  | Pevný držák             | 2  | Pohyblivý držák  | 3  | Střihací matice               | 4  | Šroub           |
| 5  | Háček                   | 6  | Základna ramenního popruhu (pro volitelné příslušenství) | 7  | Imbusový klíč                 | 8  | Světlo (uvnitř) |
| 9  | Přední část             | 10 | Spoušť   | 11 | Přepínací páčka směru otáčení | 12 | Vodítko tyče    |
| 13 | Vodicí lišta s měřítkem | 14 | Upínací šroub  | 15 | Kryt                          | -  | -               |

## POPIS FUNKCÍ

**⚠ UPOZORNĚNÍ:** Před nastavováním nářadí nebo kontrolou jeho funkce se vždy přesvědčte, zda je vypnuté a je vyjmutý akumulátor.

### Nasazení a sejmutí akumulátoru

**⚠ UPOZORNĚNÍ:** Před nasazením či sejmutím akumulátoru nářadí vždy vypněte.

**⚠ UPOZORNĚNÍ:** Při nasazování či snímání akumulátoru pevně držte nářadí i akumulátor. V opačném případě vám může nářadí nebo akumulátor vyklouznout z rukou a mohlo by dojít k jejich poškození či ke zranění.

- **Obr.2:** 1. Červený indikátor 2. Tlačítko 3. Akumulátor

Chcete-li akumulátor sejmout, vysuňte jej se současným přesunutím tlačítka na přední straně akumulátoru.

Při nasazování akumulátoru vyrovnejte jazýček na bloku akumulátoru s drážkou v krytu a zasuňte akumulátor na místo. Akumulátor zasuňte na doraz, až zacvakne na své místo. Není-li tlačítko zcela zajištěno, uvidíte na jeho horní straně červený indikátor.

**⚠ UPOZORNĚNÍ:** Akumulátor zasunujte vždy zcela tak, aby nebyl červený indikátor vidět. Jinak by mohl akumulátor ze zařízení vypadnout a způsobit zranění obsluze či přihlížejícím osobám.

**⚠ UPOZORNĚNÍ:** Akumulátor nenasazujte násilím. Nelze-li akumulátor zasunout snadno, nevkládáte jej správně.

## Systém ochrany nářadí a akumulátoru

Nářadí je vybaveno systémem ochrany nářadí a akumulátoru. Tento systém automaticky přeruší napájení motoru, aby se prodloužila životnost nářadí a akumulátoru. Budou-li nářadí nebo akumulátor vystaveny některé z níže uvedených podmínek, nářadí se během provozu automaticky vypne. Za určitých podmínek se rozsvítí kontrolky.

## Ochrana proti přetížení

Pokud se s nářadím pracuje způsobem vyvolávajícím mimořádně vysoký odběr proudu, nářadí se automaticky a bez jakékoli signalizace vypne. V takové situaci nářadí vypněte a ukončete činnost, při níž došlo k přetížení nářadí. Potom nářadí zapněte a obnovte činnost.

**POZNÁMKA:** Ochrana proti přetížení se aktivuje, pokud se-li se stříhat tyto druhy závitových tyčí.

- Závitová tyč, která je větší než stříhací matice.
- Závitová tyč, která je tvrdší, než je kapacita stříhací matice.

## Ochrana proti přehřátí

Při přehřátí se nářadí automaticky vypne a rozblíká se LED kontrolka. Nechte nářadí před opětovným zapnutím vychladnout.

## Ochrana proti přílišnému vybití









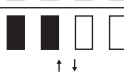
V případě nízké zbývající kapacity akumulátoru se nářadí automaticky vypne. Jestliže produkt při ovládní přepínací nepracuje, vyjměte z nářadí akumulátory a nabije je.

### Indikace zbývající kapacity akumulátoru

**Pouze pro akumulátory s diodovým ukazatelem**

► **Obr.3:** 1. Kontrolky 2. Tlačítka kontroly

Stisknutím tlačítka kontroly na akumulátoru zjistíte zbývající kapacitu akumulátoru. Kontrolky indikátoru se na několik sekund rozsvítí.

| Kontrolky   |   |   | Zbývající kapacita                        |
|---|---|---|---|
|  Svítí |  Nesvítí |  Bliká |   |
|        |   |   | 75 % až 100 %                             |
|        |   |   | 50 % až 75 %                              |
|        |   |   | 25 % až 50 %                              |
|        |   |   | 0 % až 25 %                               |
|        |   |   | Nabijte akumulátor.                       |
|        |   |   | Došlo pravděpodobně k poruše akumulátoru. |

**POZNÁMKA:** Kapacita udávaná indikátorem se může mírně lišit od skutečné kapacity v závislosti na podmínkách používání a teplotě prostředí.

## Používání spouště

**UPOZORNĚNÍ:** Před vložením akumulátoru do nářadí vždy zkontrolujte správnou funkci spouště, a zda se po uvolnění vrací do vypnuté polohy.

Chcete-li spustit stříhání, stále držte stisknutou spoušť. Stříhací matice na pohyblivém držáku se překryje s maticí na pevném držáku a poté se vrátí. Jestliže pus- títe spoušť před dokončením stříhu, stříhací matice se zastaví.

► **Obr.4:** 1. Spoušť

► **Obr.5:** 1. Pevný držák 2. Stříhací matice 3. Pohyblivý držák

**POZOR:** Nářadí zbytečně nespouštějte naprázdno.

## Funkce automatického zastavení

Když budete držet stisknutou spoušť, čelisti na matici se najednou zavřou, poté se vrátí do plně otevřené polohy a pak se zastaví. Chcete tedy spustit další sekvenci stříhání, musíte pustit spoušť a znovu ji stisknout.

### Přepínací páčka směru otáčení

**VAROVÁNÍ:** Pokud nářadí nepoužíváte, vždy přesuňte přepínací páčku směru otáčení do zajištěné polohy.

**UPOZORNĚNÍ:** Před provozem se vždy ujistěte, že je polohy přepínací páčky směru otáčení ve správném směru.

**POZOR:** Nepohybujte přepínací páčkou směru otáčení, když je spoušť stisknuta. Mohlo by to způsobit poškození nářadí.

Chcete spustit stříhání, nastavte přepínací páčku směru otáčení do polohy pro stříhání.

Chcete obrátit sekvenci stříhání, nastavte přepínací páčku směru otáčení na obrácený směr. Když stále držíte stisknutou spoušť, čelisti na stříhací matici se najednou otevřou a poté se zastaví v plně otevřené pozici.

Chcete-li zamknout spoušť, nastavte přepínací páčku směru otáčení do zajištěné polohy. Spoušť nelze v této pozici stisknout.

► **Obr.6:** 1. Přepínací páčka směru otáčení 2. Stříhací polohy 3. Zajištěná polohy 4. Obrácená polohy

**POZOR:** Když je přepínací páčka směru otáčení v obrácené pozici, můžete nářadí používat dle potřeby. Aby se zabránilo poškození nářadí, nářadí se automaticky zastaví, kdykoliv kontinuálně běží v obrácené pozici.

**POZNÁMKA:** Pustíte-li po řezání spoušť, zatímco se čelisti stříhací matice otvírají, a nastavíte-li poté přepínací páčku směru otáčení do obrácené polohy, čelisti se najednou zavřou a pak otevřou, když je spoušť znovu stisknuta.

## Světlo LED

**UPOZORNĚNÍ:** Nedívejte přímo do světla nebo jeho zdroje.

Při stisknutí spouště se rozsvítí světlo. Světlo svítí po celou dobu stisknutí spouště. Světlo zhasne přibližně za 15 sekund po uvolnění spouště.

► **Obr.7:** 1. Světlo (uvnitř)

**POZNÁMKA:** K otření nečistot ze skla světla použijte suchý hadřík. Dbejte, abyste sklo světla nepoškrábali. Mohlo by dojít ke snížení svítivosti.

**POZNÁMKA:** Při přehřátí nářadí bude světlo blikat. Nechte nářadí vychladnout.

## Vodící lišta s měřítkem

Chcete-li stříhat závitové tyče o stejné délce, použijte vodící lištu s měřítkem. Vložte vodící lištu s měřítkem do otvoru dle nákresu.

► **Obr.8:** 1. Vodící lišta s měřítkem 2. Upínací šroub

Srovnejte hodnotu vámi požadované délky na vodící liště s rýskou stříhání. Poté utáhněte upínací šroub.

► **Obr.9:** 1. Vodící lišta s měřítkem 2. Rýska stříhání 3. Upínací šroub

**▲ UPOZORNĚNÍ:** Při nošení nebo manipulaci nedržte nářadí za vodící lištu s měřítkem. Nářadí by mohlo spadnout a způsobit úraz a/nebo poškození nářadí.

## Vodítko tyče

Pro přesné stříhání nastavte vodítko tyče do pozice v závislosti na průměru závitové tyče, která má být ustřížena.

► **Obr.10:** 1. Vodítko tyče (pozice 1) 2. Vodítko tyče (pozice 2)

K dispozici jsou dvě pozice vodítka tyče.

| Pozice | Velikost závitové tyče |
|--------|------------------------|
| 1      | W3/8, M10              |
| 2      | M8, M6                 |

## Háček

**▲ UPOZORNĚNÍ:** Nikdy nářadí nezavěšujte ve větrném prostoru nebo na potenciálně nestabilním povrchu.

**▲ UPOZORNĚNÍ:** Nepoužívejte hák, když je deformovaný nebo poškozený.

**▲ UPOZORNĚNÍ:** Když nářadí nepoužíváte, vždy háček sklopte.

Háček je vhodný k dočasnému pověšení nářadí.

► **Obr.11:** 1. Háček

**▲ UPOZORNĚNÍ:** Nezavěšujte háček za opasek. Je-li upuštěno na zem, může dojít ke zranění a/nebo k poškození nářadí.

► **Obr.12**

## Uložení šestihranného klíče

Není-li používán, uložte šestihranný klíč, jak je ilustrováno na obrázku. Předjedete tak jeho ztrátu.

► **Obr.13:** 1. Šestihranný klíč

## Ramenní popruh

### Volitelné příslušenství

Ramenní popruh se používá k nošení nářadí.

► **Obr.14:** 1. Ramenní popruh 2. Konec opasku 3. Spona

**▲ UPOZORNĚNÍ:** Vždy noste ramenní popruh přetažený přes tělo a upravený na správnou délku.

**▲ UPOZORNĚNÍ:** Nepoužívejte ramenní popruh, jestliže je poškozen.

**▲ UPOZORNĚNÍ:** Ponechte dostatečnou délku mezi sponou a koncem opasku tak, aby tento neproklouzl skrze sponu.

## SESTAVENÍ

**▲ UPOZORNĚNÍ:** Před prováděním jakýchkoli prací na nářadí se vždy přesvědčte, zda je vypnuté a je vyjmutý akumulátor.

## Montáž stříhací matice

**▲ UPOZORNĚNÍ:** Vždy montujte stříhací matici ve správném směru a pevně ji zajistěte. Nesprávné nebo volné namontování může způsobit zlomení stříhací matice, což má za následek úraz nebo odlet úlomků.

**POZOR:** Případné otřepty na stříhací matici odstraňte pomocí pilníku.

1. Zkontrolujte, zda jsou čelisti stříhací matice plně otevřené. V opačném případě namontujte akumulátor a stiskněte spoušť, dokud se čelisti zcela neotevrou.

**▲ UPOZORNĚNÍ:** Nezapomeňte vyjmout akumulátor, je-li nainstalován.

2. Nastavte přepínací páčku směru otáčení do uzamčené pozice.

► **Obr.15:** 1. Přepínací páčka směru otáčení

3. Odšroubujte šrouby pomocí dodaného imbusového klíče.

**▲ UPOZORNĚNÍ:** Používejte pouze klíč Makita, který je dodáván s nářadím. Používání jiných klíčů může mít za následek přetažení nebo nedotažení, a to může způsobit zranění.

4. Nastavte stříhací matici na držácích tak, aby byly vidět dvoubarevné značky.

► **Obr.16:** 1. Šroub 2. Stříhací matice 3. Pevný držák 4. Pohyblivý držák 5. Barevná značka 6. Imbusový klíč

5. Pevně utáhněte stříhací matici pomocí šroubů.

Stříhací matice je správně namontovaná, jestliže šípky směřují proti sobě. Rozměry článků stříhací matice jsou stejné, ale jejich tloušťka se zdá z horního pohledu jiná.

► **Obr.17:** 1. Šípka 2. Stříhací matice 3. Tenká strana 4. Tlustá strana



# PRÁCE S NÁŘADÍM

**⚠ UPOZORNĚNÍ:** Ujistěte se, že je na nářadí nainstalována stříhací matice správných rozměrů. Před stříháním zkontrolujte řezací kapacitu napsanou na stříhací matici.

**⚠ UPOZORNĚNÍ:** Než stisknete spoušť, ujistěte se, že je závitová tyč nastavena tak, že její závit padne do závitů na stříhací matici. Nesprávné srovnání závitů může zlomit stříhací matici a způsobit osobní úraz od letícího úlomku.

**⚠ UPOZORNĚNÍ:** Vyměňte stříhací matici, je-li uštipnutá nebo deformovaná.

Při stříhání umístěte tyč kolmo k rýsce stříhání dle nákresu.

► **Obr.18:** 1. Ryska stříhání

**POZNÁMKA:** Při stříhání závitové tyče vyrobené z kujného kovu, například nerezové oceli, se mohou na konci řezu objevit otřepky. V takovém případě odstraňte otřepky pomocí pilníku.

► **Obr.19:** 1. Závitová tyč 2. Otřepky

## Stříhání upevněných závitových tyčí

Když stříháte závitové tyče, které jsou upevněny k budově, např. ke stropu, stěně, podlaze apod., postupujte následovně:

► **Obr.20:** 1. Závitová tyč 2. Stříhací matice na pevném držáku

1. Dejte nářadí tak, aby závitová tyč byla v pozici mezi články stříhací matice.
2. Když se závitová tyč dotýká vodítka tyče, upevněte na závit tyče závit stříhací matice na pevném držáku.
3. Stiskněte a podržte spoušť, dokud není stříhání dokončeno a čelisti stříhací matice nejsou v plně otevřené pozici.

**POZOR:** Před použitím nářadí očistěte jeho přední část a také špičku vodící lišty s měřítkem. Mohly by zašpinit kontaktní povrch.

## Stříhání volných závitových tyčí

Když stříháte volné závitové tyče na podlaze nebo na pracovním stole, dodržujte následující postup:

► **Obr.21:** 1. Závitová tyč 2. Stříhací matice na pevném držáku

1. Umístěte závitovou tyč do stříhací matice.
2. Když se závitová tyč dotýká vodítka tyče, upevněte na závit tyče závit stříhací matice na pevném držáku.
3. Stiskněte a podržte spoušť, dokud není stříhání dokončeno a čelisti stříhací matice nejsou v plně otevřené pozici.

Když stříháte dlouhou závitovou tyč, kterou je těžké držet jen rukou, umístěte nářadí dle nákresu. Nářadí lze umístit na rovno. Kryt lze také použít k podepření konce závitové tyče.

- **Obr.22:** 1. Kryt (pozice 1) 2. Vodítko tyče (pozice 1)  
3. Kryt (pozice 2) 4. Vodítko tyče (pozice 2)

Kryt má značení, které má indikovat jeho pozici. V závislosti na velikosti závitové tyče můžete kryt dát do pozice dle nákresu v tabulce, ale také na vodítku tyče.

| Pozice | Velikost závitové tyče |
|--------|------------------------|
| 1      | W3/8, M10              |
| 2      | M8, M6                 |

## Přerušení stříhání uprostřed

**⚠ UPOZORNĚNÍ:** Nikdy se nesnažte vytažovat nářadí násilím ze závitové tyče. Může to způsobit neočekávané spuštění, které může způsobit úraz nebo poškození stříhací matice a nářadí.

Když přerušíte stříhání uprostřed postupu, nastavte přepínací páčku směru otáčení na obrácenou pozici a stiskněte spoušť, dokud není závitová tyč zcela uvolněna ze stříhací matice.

## ÚDRŽBA

**⚠ UPOZORNĚNÍ:** Před zahájením kontroly nebo údržby nářadí se vždy ujistěte, zda je vypnuté a je vyjmut akumulátor.

**POZOR:** Nikdy nepoužívejte benzín, benzen, ředidlo, alkohol či podobné prostředky. Mohlo by tak dojít ke změnám barvy, deformacím či vzniku prasklin.

## Výměna stříhací matice

**POZOR:** Vyměňte obě části stříhací matice zároveň. Výměna pouze jedné strany matice může způsobit otřepky na závitové tyči.

Vyměňte stříhací matici, kdykoliv je tato uštipnutá, deformovaná nebo tupá. Výměnu proveďte podle pokynů v části „Montáž stříhací matice“.

► **Obr.23:** 1. Uštipnutí 2. Deformace

Jedna část stříhací matice má dvě stříhací ostří, a pak tlustou a slabou stranu. Jestliže jste nepoužili druhé strany ostří, prohodte montážní pozice obou částí stříhací matice.

► **Obr.24:** 1. Stříhací ostří 2. Tenká strana 3. Tlustá strana

## Přenášení/skladování nářadí

**⚠ UPOZORNĚNÍ:** Když není nářadí používáno, vždy připojte dodaný kryt na stříhací část.

Při přenášení také připojte tento kryt. Při skladování odstraňte z nářadí akumulátor a vodící lištu s měřítkem. Očistěte prach na stříhací matici a pohyblivé části. Poté připojte kryt.

► **Obr.25: 1. Kryt**

K zachování BEZPEČNOSTI a SPOLEHLIVOSTI výrobku musí být opravy a veškerá další údržba či seřizování prováděny autorizovanými nebo továrními servisními středisky společnosti Makita s využitím náhradních dílů Makita.

## VOLITELNÉ PŘÍSLUŠENSTVÍ

**⚠ UPOZORNĚNÍ:** Pro nářadí Makita popsané v tomto návodu doporučujeme používat následující příslušenství a nástavce. Při použití jiného příslušenství či nástavců může hrozit nebezpečí zranění osob. Příslušenství lze používat pouze pro stanovené účely.

Potřebujete-li bližší informace ohledně tohoto příslušenství, obraťte se na místní servisní středisko společnosti Makita.

- Stříhací matice
- Ramenní popruh
- Originální akumulátor a nabíječka Makita

**POZNÁMKA:** Některé položky seznamu mohou být k nářadí přibaleny jako standardní příslušenství. Přibalené příslušenství se může v různých zemích lišit.

## ТЕХНІЧНІ ХАРАКТЕРИСТИКИ

| Модель:               |                  | DSC102                                   |
|-----------------------|------------------|--|
| Різальна спроможність | М'яка сталь      | W3/8, M10, M8, M6                        |
|                       | Нержавіюча сталь | W3/8, M8, M6                             |
| Загальна довжина      |                  | 199 мм                                   |
| Номінальна напруга    |                  | 18 В пост. струму<br>14,4 В пост. струму |
| Маса нетто            |                  | 2,8 - 3,2 кг                             |

- Оскільки наша програма наукових досліджень і розробок триває безперервно, наведені тут технічні характеристики можуть бути змінені без попередження.
- У різних країнах технічні характеристики можуть бути різними.
- Вага може відрізнятись залежно від допоміжного обладнання, наприклад касети з акумулятором. Найлегші та найважчі комплекти, відповідно до стандарту ЕРТА (Європейська асоціація виробників електроінструменту) від січня 01/2014 року, представлено в таблиці.

### Застосовна касета з акумулятором і зарядний пристрій

|                       |                          |   |
|-----------------------|--------------------------|---|
| Касета з акумулятором | Модель 14,4 В пост. тока | BL1415N / BL1430 / BL1430B / BL1440 / BL1450 / BL1460B  |
|                       | Модель 18 В пост. тока   | BL1815N / BL1820 / BL1820B / BL1830 / BL1830B / BL1840 / BL1840B / BL1850 / BL1850B / BL1860B |
| Зарядний пристрій     |                          | DC18RC / DC18RD / DC18RE / DC18SD / DC18SE / DC18SF   |

- Деякі касети з акумулятором і зарядні пристрої, які вказано вище, можуть бути недоступними залежно від вашого регіону або місця перебування.

**⚠ ПОПЕРЕДЖЕННЯ:** Використовуйте лише касети з акумулятором і зарядні пристрої, перелічені вище. Використання будь-яких інших касет з акумулятором і зарядних пристроїв може призвести до травмування й/або пожежі.

### Символи

Далі наведено символи, які застосовуються для позначення обладнання. Перед користуванням переконайтеся, що ви розумієте їхнє значення.

|  |   |
|--|---|
|  | Читайте інструкцію з експлуатації.                  |
|  | Вдягайте захисні окуляри.                           |
|  | Під час роботи не торкайтеся плашки.                |
|  | Контролюйте стан різьбової шпильки.                 |
|  | Під час роботи не наближайте інструмент до обличчя. |



Тільки для країн ЄС  
Не викидайте електроприлади або акумуляторні батареї разом із побутовим сміттям! Згідно з Європейськими директивами про утилізацію електричного та електронного обладнання та про утилізацію батарей і акумуляторів, а також батарей та акумуляторів, термін служби яких закінчився, та їх використанням із дотриманням національних законів, електричне обладнання, батареї та акумулятори, термін служби яких закінчився, потрібно збирати окремо та відправляти на екологічно чисті підприємства з їхньої переробки.

### Призначення

Цей інструмент призначений для різання різьбових шпильок.

### Шум

Рівень шуму за шкалою А в типовому виконанні, визначений відповідно до стандарту EN62841:  
Рівень звукового тиску ( $L_{pA}$ ): 71 дБ (А)  
Похибка (К): 3 дБ (А)

Рівень шуму під час роботи може перевищувати 80 дБ (А).

**⚠ ПОПЕРЕДЖЕННЯ:** Користуйтеся засобами захисту органів слуху.

## Вібрація

Загальна величина вібрації (векторна сума трьох напрямків) визначена згідно з EN62841: Режим роботи: обрізання різьбової шпильки з нержавіючої сталі (діаметр шпильки – W3/8) Вібрація ( $a_w$ ): 2,5 м/с<sup>2</sup> або менше Похибка (K): 1,5 м/с<sup>2</sup>

**ПРИМІТКА:** Заявлене значення вібрації було виміряно відповідно до стандартних методів тестування та може використовуватися для порівняння одного інструмента з іншим.

**ПРИМІТКА:** Заявлене значення вібрації може також використовуватися для попередньої оцінки впливу.

**▲ПОПЕРЕДЖЕННЯ:** Залежно від умов використання вібрація під час фактичної роботи електроінструмента може відрізнятись від заявленого значення вібрації.

**▲ПОПЕРЕДЖЕННЯ:** Забезпечте належні запобіжні заходи для захисту оператора, що відповідатимуть умовам використання інструмента (слід брати до уваги всі складові робочого циклу, такі як час, коли інструмент вимкнено та коли він починає працювати на холостому ході під час запуску).

## Декларація про відповідність стандартам ЄС

### Тільки для країн Європи

Декларацію про відповідність стандартам ЄС наведено в Додатку А до цієї інструкції з експлуатації.

## ПОПЕРЕДЖЕННЯ ПРО ДОТРИМАННЯ ТЕХНІКИ БЕЗПЕКИ

### Загальні застереження щодо техніки безпеки при роботі з електроінструментами

**▲ПОПЕРЕДЖЕННЯ:** Уважно ознайомтеся з усіма попередженнями про дотримання правил техніки безпеки, інструкціями, ілюстраціями та технічними характеристиками, що стосуються цього електроінструмента. Невиконання будь-яких інструкцій, перелічених нижче, може призвести до ураження електричним струмом, пожежі та/або тяжких травм.

### Збережіть усі інструкції з техніки безпеки та експлуатації на майбутнє.

Термін «електроінструмент», зазначений у інструкції з техніки безпеки, стосується електроінструмента, який функціонує від електромережі (електроінструмент з кабелем живлення), або електроінструмента з живленням від батареї (безпроводний електроінструмент).

## Попередження про дотримання правил техніки безпеки під час роботи з акумуляторним різакм різьбових шпильок

1. Тримайте інструмент міцно.
2. Міцно закріплюйте деталь.
3. Обличчя й руки мають перебувати на безпечній відстані від рухомих частин. Під час різання частина різьбової шпильки може відлетіти.
4. Під час обробки різьбових шпильок обов'язково надягайте захисні рукавички. Край та ошурки оброблюваної деталі є гострими.
5. Не кладіть інструмент на ошурки оброблюваної деталі. Це може призвести до пошкодження й несправності інструмента.
6. Обов'язково забезпечте надійну опору. У разі виконання робіт з інструментом на висоті переконайтеся в тому, що внизу нікого немає.
7. Не торкайтеся різального пругу або деталі одразу після різання – вони можуть бути дуже гарячими й спричинити опіки.
8. Не допускайте розрізання електричних проводів. Це може призвести до нещасного випадку з тяжкими наслідками в результаті ураження струмом.
9. Щоб не допустити падіння різьбової шпильки, міцно тримайте різьбову шпильку під час і після різання. У разі падіння з великої висоти різьбова шпилька може заподіяти тяжку травму.
10. Тримайте інструмент на безпечній відстані від свого тіла. Не використовуйте інструмент, якщо розміри робочої зони не дозволяють перебувати на безпечній відстані від інструмента.
11. Не залишайте інструмент на висоті або на потенційно нестійкій поверхні.

## ЗБЕРІГАЙТЕ ЦІ ВКАЗІВКИ.

**▲ПОПЕРЕДЖЕННЯ:** НІКОЛИ НЕ втрачайте пильності та не розслабляйтеся під час користування виробом (що можливо при частому користуванні); обов'язково строго дотримуйтеся відповідних правил безпеки.

**НЕНАЛЕЖНЕ ВИКОРИСТАННЯ** або недотримання правил техніки безпеки, викладених у цій інструкції з експлуатації, може призвести до серйозних травм.

## Важливі інструкції з безпеки для касети з акумулятором

1. Перед тим як користуватися касетою з акумулятором, слід прочитати всі інструкції та застережні знаки щодо (1) зарядного пристрою акумулятора, (2) акумулятора та (3) виробів, що працюють від акумулятора.
2. Не слід розбирати касету з акумулятором.

3. Якщо період роботи дуже покоротшав, слід негайно припинити користування. Це може призвести до виникнення ризику перегріву, опіку та навіть вибуху.
4. У разі потраплення електроліту в очі слід промити їх чистою водою та негайно звернутися до лікаря. Це може призвести до втрати зору.
5. Не закоротіть касету з акумулятором.
  - (1) Не слід торкатися клем будь-яким струмопровідним матеріалом.
  - (2) Не слід зберігати касету з акумулятором у ємності з іншими металевими предметами, такими як цвяхи, монети тощо.
  - (3) Не залишайте касету з акумулятором під дощем, запобігайте контакту з водою.

Коротке замикання може призвести до появи значного струму, перегріву, можливих опіків та навіть виходу з ладу.

6. Не слід зберігати інструмент та касету з акумулятором в місцях, де температура може сягнути чи перевищити 50°C (122°F).
7. Не слід спалювати касету з акумулятором, навіть якщо вона була неодноразово пошкоджена або повністю спрацьована. Касета з акумулятором може вибухнути у вогні.
8. Не слід кидати або ударяти акумулятор.
9. Не слід використовувати пошкоджений акумулятор.
10. Літій-іонні акумулятори, що містяться в інструменті, мають відповідати вимогам законів про небезпечні товари.

Під час транспортування за допомогою комерційних перевезень, наприклад із залученням третьої сторони та експедиторів, необхідно дотримуватись особливих вимог, вказаних на пакуванні й у маркуванні.

Під час підготування позиції до відправлення необхідно проконсультуватись зі спеціалістом з небезпечних матеріалів. Крім того, слід виконувати більш докладні національні настанови, якщо такі є.

Заклейте відкриті контакти стрічкою або заховайте їх і упакуйте акумулятор таким чином, щоб він не міг рухатися в пакуванні.

11. Дотримуйтеся норм місцевого законодавства щодо утилізації акумуляторів.
12. Використовуйте акумулятори лише з виробами, указаними компанією Makita. Установлення акумуляторів у невідповідні вироби може призвести до пожежі, надмірного нагрівання, вибуху чи витоків електроліту.

## ЗБЕРІГАЙТЕ ЦІ ВКАЗІВКИ.

**▲ОБЕРЕЖНО:** Використовуйте тільки акумулятори Makita. Використання акумуляторів, інших ніж оригінальні акумулятори Makita, або акумуляторів, конструкцію яких було змінено, може призвести до вибуху акумулятора і спричинити пожежу, травму або пошкодження. У зв'язку з цим також буде анульовано гарантію Makita на інструмент Makita і на зарядний пристрій.

## Поради з забезпечення максимального строку експлуатації акумулятора

1. Касету з акумулятором слід заряджати до того, як він розрядиться повністю. Завжди слід зупинити роботу інструмента та зарядити акумулятор, якщо ви помітили зменшення потужності інструмента.
2. Ніколи не слід заряджати повторно повністю заряджену касету з акумулятором. Перезарядження скорочує строк експлуатації акумулятора.
3. Заряджайте касету з акумулятором при кімнатній температурі 10°C—40°C (50°F—104°F). Перед тим як заряджати касету з акумулятором, слід зачекати, доки вона охолоне.
4. Якщо касета з акумулятором не використовувалася тривалий час (понад шість місяців), її слід зарядити.

## ОПИС ДЕТАЛЕЙ

► Рис. 1

|    |                     |    |   |    |                           |    |                      |
|----|---------------------|----|---|----|---------------------------|----|----------------------|
| 1  | Нерухома оправка    | 2  | Рухома оправка  | 3  | Плашка                    | 4  | Болт                 |
| 5  | Гачок               | 6  | Місце кріплення плечового ременя (для додаткового приладдя) | 7  | Шестигранний ключ         | 8  | Лампа (всередині)    |
| 9  | Передня сторона     | 10 | Курок вмикача   | 11 | Важіль перемикача реверсу | 12 | Напрямна для шпильки |
| 13 | Обмежувач зі шкалою | 14 | Затискний гвинт   | 15 | Кришка                    | -  | -                    |

# ОПИС РОБОТИ

**⚠ ОБЕРЕЖНО:** Обов'язково переконайтеся, що прилад вимкнено, а касету з акумулятором знято, перед регулюванням або перевіркою функціонування інструмента.

## Встановлення та зняття касети з акумулятором

**⚠ ОБЕРЕЖНО:** Завжди вимикайте інструмент перед встановленням або зняттям касети з акумулятором.

**⚠ ОБЕРЕЖНО:** Під час встановлення або зняття касети з акумулятором слід міцно тримати інструмент та касету з акумулятором. Якщо ви утримуватимете інструмент та касету з акумулятором недостатньо міцно, вони можуть вислизнути з рук, що може призвести до пошкодження інструмента та касети з акумулятором або може спричинити травми.

► **Рис.2:** 1. Червоний індикатор 2. Кнопка 3. Касета з акумулятором

Щоб зняти касету з акумулятором, слід витягнути її з інструмента, натиснувши на кнопку в передній частині касети.

Щоб установити касету з акумулятором, слід сумістити виступ на касеті з акумулятором із пазом у корпусі та вставити касету на місце. Її необхідно вставити повністю, аж доки не почуєте клацання. Якщо на верхній частині кнопки помітний червоний індикатор, це означає, що касета з акумулятором установлена не до кінця.

**⚠ ОБЕРЕЖНО:** Завжди вставляйте касету з акумулятором повністю, аж поки червоний індикатор стане невидимим. Якщо цього не зробити, касета може випадково випасти з інструмента та завдати травми вам або людям, що знаходяться поряд.

**⚠ ОБЕРЕЖНО:** Не встановлюйте касету з акумулятором із зусиллям. Якщо касета не вставляється легко, то це означає, що ви її неправильно вставляєте.

## Система захисту інструмента/акумулятора

Інструмент оснащено системою захисту інструмента/акумулятора. Ця система автоматично вимикає живлення двигуна з метою збільшення терміну служби інструмента та акумулятора. Інструмент автоматично зупиняється під час роботи, якщо він або акумулятор перебувають у зазначених нижче умовах. За певних умов загоряються індикатори.

### Захист від перевантаження

Якщо інструмент використовується в умовах надмірного споживання струму, він автоматично вимикається без будь-якого попередження. У такому випадку вимкніть інструмент та припиніть роботу, під час виконання якої інструмент зазнав перевантаження. Щоб перезапустити інструмент, увімкніть його знову.

**ПРИМІТКА:** Під час спроби розрізати зазначені нижче види різьбових шпильок спрацює захист від перевантаження.

- Різьбова шпилька, розміри якої перевищують розміри плашки.
- Занадто тверда різьбова шпилька, для розрізання якої різальної здатності плашки недостатньо.

### Захист від перегрівання

У разі перегріву інструмент автоматично зупиняється й починає блимати світлодіодна підсвітка. Залиште інструмент для охолодження перед повторним вмиканням.

















### Захист від надмірного розрядження

Коли заряд акумулятора стає замалим, інструмент автоматично зупиняється. Якщо інструмент не працює, навіть коли задіяні вмикачі, необхідно витягнути з інструмента акумулятори та зарядити їх.

## Відображення залишкового заряду акумулятора

*Тільки для касет з акумулятором, які мають індикатори*

► **Рис.3:** 1. Індикаторні лампи 2. Кнопка перевірки  
Натисніть кнопку перевірки на касеті з акумулятором для відображення залишкового ресурсу акумулятора. Індикаторні лампи загоряються на кілька секунд.

| Індикаторні лампи  |   |  | Залишковий ресурс                  |
|--|---|--|------------------------------------|
|  Горить |  Вимк. |  Блимає |                                    |
|         |   |  | від 75 до 100%                     |
|        |   |  | від 50 до 75%                      |
|       |      |  | від 25 до 50%                      |
|       |      |  | від 0 до 25%                       |
|       |      |  | Зарядіть акумулятор.               |
|       |      |  | Можливо, акумулятор вийшов з ладу. |
|       |      |       |                                    |

**ПРИМІТКА:** Залежно від умов використання та температури оточуючого середовища показання можуть незначним чином відрізнятися від дійсного ресурсу.

## Дія вимикача

**⚠ ОБЕРЕЖНО:** Перед тим як вставляти касету з акумулятором в інструмент, обов'язково перевірте, чи курок вимикача спрацьовує належним чином та повертається у положення «ВИМК.», коли його відпускають.

Щоб почати процес різання, натисніть курок вимикача. Плашка на рухомій оправці переміститься з перекриттям відносно плашки на нерухомій оправці й повернеться в початкове положення. Якщо відпустити курок вимикача до завершення різання, плашка зупиниться.

► **Рис.4:** 1. Курок вимикача

► **Рис.5:** 1. Нерухома оправка 2. Плашка 3. Рухома оправка

**УВАГА:** Без потреби не допускайте, щоб інструмент працював без навантаження.

## Функція автоматичної зупинки

Якщо продовжити натискати курок вимикача, затиск плашки зімкнеться й повернеться в повністю відкрите положення, після чого зупиниться. Щоб почати новий процес різання, відпустіть перемикач і знову натисніть його.

## Важіль перемикача реверсу

**⚠ ПОПЕРЕДЖЕННЯ:** Коли інструмент не використовується, важіль перемикача реверсу повинен перебувати в положенні блокування.

**⚠ ОБЕРЕЖНО:** Перед початком роботи слід перевіряти положення важеля перемикача реверсу.

**УВАГА:** Не рухайте важіль перемикача реверсу, якщо курок вимикача натиснуто. Це може спричинити пошкодження інструмента.

Щоб почати процес різання, встановіть важіль перемикача реверсу в положення різання.

Щоб змінити напрямок послідовності різання на зворотний, переведіть важіль перемикача реверсу в положення реверсу. Якщо продовжити натискати курок вимикача, затискач плашки розімкнеться й залишиться в повністю відкритому положенні.

Щоб заблокувати курок вимикача, переведіть важіль перемикача реверсу в положення блокування.

У цьому положенні натиснути курок вимикача неможливо.

► **Рис.6:** 1. Важіль перемикача реверсу  
2. Положення різання 3. Положення блокування 4. Положення реверсу

**УВАГА:** Якщо важіль перемикача реверсу перебуває в положенні реверсу, використовуйте інструмент тільки за необхідності. За тривалої роботи в положенні реверсу інструмент автоматично зупиниться для запобігання пошкодженню.

**ПРИМІТКА:** Після виконання різання, якщо відпустити курок вимикача, поки затискач плашки розмикається, і встановити важіль перемикача реверсу в положення реверсу, затиск зімкнеться й розімкнеться, якщо натиснути курок вимикача знову.

## Світлодіодна лампа

**⚠ ОБЕРЕЖНО:** Не дивіться на світло або безпосередньо на джерело світла.

Щоб увімкнути лампу, потягніть за курок вимикача. Лампа світитиметься, поки ви тягнете за курок вимикача. Підсвічування згасне приблизно через 15 секунд після того, як курок вимикача буде відпущений.

► **Рис.7:** 1. Лампа (всередині)

**ПРИМІТКА:** Для очищення скла лампи підсвічування протріть її сухою тканиною. Будьте обережні, щоб не подряпати скло лампи підсвічування, тому що це погіршить освітлювання.

**ПРИМІТКА:** У разі перегріву інструмента починає блимати лампа. У цьому випадку слід дати інструменту охолонути.

## Обмежувач зі шкалою

Якщо необхідно відрізати різьбові шпильки на однакову довжину, використовуйте обмежувач зі шкалою. Вставте обмежувач зі шкалою в отвір, як показано на рисунку.

► **Рис.8:** 1. Обмежувач зі шкалою 2. Затискний гвинт

Зіставте значення бажаної довжини на обмежувачі зі шкалою з лінією різання. Затягніть затискний гвинт.

► **Рис.9:** 1. Обмежувач зі шкалою 2. Лінія різання 3. Затискний гвинт

**⚠ ОБЕРЕЖНО:** Не тримайтеся за обмежувач зі шкалою під час перенесення або маніпуляції з інструментом. Інструмент може випасти й спричинити травму та/або отримати пошкодження.

## Напрямна для шпильки

Для точного різання встановіть напрямну для шпильки у відповідне положення з урахуванням діаметра відрізаної різьбової шпильки.

► **Рис.10:** 1. Напрямна для шпильки (положення 1)  
2. Напрямна для шпильки (положення 2)

Є два положення прямої для шпильки.

| Положення | Розмір різьбової шпильки |
|-----------|--------------------------|
| 1         | W3/8, M10                |
| 2         | M8, M6                   |

## Гак

**⚠ОБЕРЕЖНО:** Не підвішуйте інструмент у місці, яке перебуває під впливом сильного вітру, або на потенційно нестійкій поверхні.

**⚠ОБЕРЕЖНО:** Не використовуйте гачок, якщо він деформований або пошкоджений.

**⚠ОБЕРЕЖНО:** Якщо інструмент не використовується, складіть гачок.

Гачок використовується для тимчасового підвішування інструмента.

► Рис.11: 1. Гак

**⚠ОБЕРЕЖНО:** Не вішайте гачок на пояс. Це може призвести до пошкодження інструмента в разі падіння й/або травмування.

► Рис.12

## Зберігання шестигранного ключа

Коли шестигранний ключ не використовується, зберігайте його, як показано на рисунку, щоб він не загубився.

► Рис.13: 1. Шестигранний ключ

## Плечовий ремінь

### Додаткове приладдя

Для перенесення інструмента передбачено плечовий ремінь.

► Рис.14: 1. Плечовий ремінь 2. Кінець ремня 3. Замок

**⚠ОБЕРЕЖНО:** Завжди надягайте плечовий ремінь поперек тіла й належним чином регулюйте довжину.

**⚠ОБЕРЕЖНО:** Не використовуйте плечовий ремінь, якщо його пошкоджено.

**⚠ОБЕРЕЖНО:** Щоб запобігти вислизанню ремня із замка, виведіть кінець ремня із замка на достатню довжину.

## ЗБОРКА

**⚠ОБЕРЕЖНО:** Обов'язково переконайтеся, що прилад вимкнено, а касету з акумулятором знято, перш ніж проводити будь-які роботи з інструментом.

## Установлення плашки

**⚠ОБЕРЕЖНО:** Установіть плашку в правильному напрямку й надійно закріпіть. Неправильне встановлення або ненадійне закріплення можуть призвести до пошкодження плашки, що може спричинити травмування частинками, що відскочили.

**УВАГА:** Видаліть задирки на плашці напилком.

1. Переконайтеся в тому, що затискач плашки повністю розімкнено. В іншому випадку встановіть акумулятор і натискайте курок вмикача, поки затискач не розімкнеться повністю.

**⚠ОБЕРЕЖНО:** Не забудьте витягти блок акумулятора, якщо його встановлено.

2. Переведіть важіль перемикача реверсу в положення блокування.

► Рис.15: 1. Важіль перемикача реверсу

3. Відгвинтіть болти шестигранним ключем із комплекту поставки.

**⚠ОБЕРЕЖНО:** Користуйтеся тільки ключами Makita, що поставляються з інструментом.

Використання інших ключів може призвести до надмірного або недостатнього затягування, що може спричинити травму.

4. Установіть плашки в оправки таким чином, щоб було видно дві кольорові мітки.

► Рис.16: 1. Болт 2. Плашка 3. Нерухома оправка 4. Рухома оправка 5. Кольорова мітка 6. Шестигранний ключ

5. Надійно закріпіть плашку болтами.

Плашки вважаються правильно встановленими, якщо стрілки на них вказують одна на одну. Розміри плашок однакові, але їх товщина здається різною, якщо дивитися зверху.

► Рис.17: 1. Стрілка 2. Плашка 3. Тонка сторона 4. Товста сторона

## РОБОТА

**⚠ОБЕРЕЖНО:** Переконайтеся в тому, що в інструмент встановлено плашки правильного розміру. Перед початком різання перевірте значення ріжучої здатності, вказане на плашці.

**⚠ОБЕРЕЖНО:** Перш ніж натиснути курок вмикача, встановіть різьбову шпильку таким чином, щоб різьба на ній сумістилася з різьбою на плашці. Неправильне суміщення різьб може призвести до поломки плашки й спричинити травмування частинками, що відскочили.

**⚠ОБЕРЕЖНО:** Замініть плашку, якщо на різальному прузі є вибоїни або його деформовано.

Під час різання розташуйте різьбову шпильку перпендикулярно лінії різання, як показано на рисунку.

► Рис.18: 1. Лінія різання

**ПРИМІТКА:** Під час різання різьбової шпильки, виготовленої з ковкого металу, наприклад нержавіючої сталі, на різальному кінці можуть утворитися задирки. Видаліть задирки напилком.

► Рис.19: 1. Різьбова шпилька 2. Задирка



## Зрізання зафіксованих різьбових шпильок

Зрізання різьбової шпильки, закріпленої в будівельній конструкції, наприклад у стелі, стіні, підлозі тощо, виконуйте за вказаною нижче процедурою.

► **Рис.20:** 1. Різьбова шпилька 2. Плашка на нерухомій оправці

1. Розташуйте інструмент таким чином, щоб різьбова шпилька перебувала між плашками.
2. Коли різьбова шпилька торкається напрямної для шпильки, сумістіть різьбу шпильки з різьбою на плашці на нерухомій оправці.
3. Натисніть й утримуйте курок вмикача до завершення різання та поки затискач плашки не переміститься в повністю розімкнуте положення.

**УВАГА:** Перед початком роботи очищайте передню сторону інструмента й кінець обмежувача зі шкалою. Вони можуть забруднити контактну поверхню.

## Зрізання незафіксованих різьбових шпильок

Під час зрізання незафіксованих різьбових шпильок на полу або робочому столі дотримуйтесь зазначеної нижче процедури.

► **Рис.21:** 1. Різьбова шпилька 2. Плашка на нерухомій оправці

1. Розмістіть різьбову шпильку між плашками.
2. Коли різьбова шпилька торкається напрямної для шпильки, сумістіть різьбу шпильки з різьбою на плашці на нерухомій оправці.
3. Натисніть й утримуйте курок вмикача до завершення різання та поки затискач плашки не переміститься в повністю розімкнуте положення.

Під час відрізання довгої різьбової шпильки, яку важко утримувати рукою, розмістіть інструмент, як показано на малюнку. Інструмент можна розмістити горизонтально. В якості опори для кінця різьбової шпильки також можна використовувати кришку.

► **Рис.22:** 1. Кришка (положення 1) 2. Напрямна для шпильки (положення 1) 3. Кришка (положення 2) 4. Напрямна для шпильки (положення 2)

Для позначення положення на кришці є мітки. Залежно від розміру різьбової шпильки розташуйте кришку, а також напрямну для шпильок, як показано в таблиці.

| Положення | Розмір різьбової шпильки |
|-----------|--------------------------|
| 1         | W3/8, M10                |
| 2         | M8, M6                   |

## Припинення різання в середній частині деталі

**⚠ОБЕРЕЖНО:** Не намагайтеся витягнути інструмент із різьбової шпильки із зусиллям. Це може призвести до попередбаченого увімкнення, що спричинить травму або пошкодження плашки й інструмента.

У разі припинення різання в середній частині деталі переведіть важіль перемикача реверсу в положення реверсу й натискайте курок вмикача, доки різьбова шпилька повністю не вийде з плашок.

## ТЕХНІЧНЕ ОБСЛУГОВУВАННЯ

**⚠ОБЕРЕЖНО:** Перед здійсненням перевірки або обслуговування завжди перевіряйте, щоб інструмент був вимкнений, а касета з акумулятором була знята.

**УВАГА:** Ніколи не використовуйте газолін, бензин, розріджувач, спирт та подібні речовини. Їх використання може призвести до зміни кольору, деформації або появи тріщин.

## Заміна плашок

**УВАГА:** Обидві плашки слід замінювати одночасно. У разі заміни плашки тільки з одного боку на різьбовій шпильці можуть з'явитися задирки.

Замінійте плашку, якщо на ній з'явилися вибоїни, вона деформувалася або різальні пруги затупилися. Заміну виконуйте відповідно до інструкцій у розділі «Установлення плашки».

► **Рис.23:** 1. Вибоїна 2. Деформація

На плашці є два різальні пруги, а також товста й тонка сторони. Змініть положення установки плашки, якщо інші сторони різального пругу не використовувалися.

► **Рис.24:** 1. Різальний пруг 2. Тонка сторона 3. Товста сторона

## Перенесення та зберігання інструмента

**⚠ОБЕРЕЖНО:** Коли інструмент не використовується, закривайте різальну частину кришкою з комплекту.

Установлюйте кришку під час перенесення інструмента.

На час зберігання виймайте з інструмента касету з акумулятором й обмежувач зі шкалою. Видаліть пил із плашки й рухомих частин. Після цього встановіть кришку.

► **Рис.25: 1.** Кришка

Для забезпечення БЕЗПЕКИ та НАДІЙНОСТІ продукції, її ремонт, а також роботи з обслуговування або регулювання повинні виконуватись уповноваженими або заводськими сервісними центрами Makita із використанням запчастин виробництва компанії Makita.

## ДОДАТКОВЕ ПРИЛАДДЯ

**▲ ОБЕРЕЖНО:** Це додаткове та допоміжне обладнання рекомендовано використовувати з інструментом Makita, зазначеним у цій інструкції з експлуатації. Використання будь-якого іншого додаткового та допоміжного обладнання може становити небезпеку травмування. Використовуйте додаткове та допоміжне обладнання лише за призначенням.

У разі необхідності отримати допомогу в більш детальному ознайомленні з оснащенням звертайтеся до місцевого сервісного центру Makita.

- Плашки
- Плечовий ремінь
- Оригінальний акумулятор та зарядний пристрій Makita

**ПРИМІТКА:** Деякі елементи списку можуть входити до комплекту інструмента як стандартне приладдя. Вони можуть відрізнятися залежно від країни.

## SPECIFICAȚII

|                      |                 |                        |
|----------------------|-----------------|------------------------|
| <b>Model:</b>        |                 | <b>DSC102</b>          |
| Capacități de tăiere | Oțel moale      | W3/8, M10, M8, M6      |
|                      | Oțel inoxidabil | W3/8, M8, M6           |
| Lungime totală       |                 | 199 mm                 |
| Tensiune nominală    |                 | 18 V cc.<br>14,4 V cc. |
| Greutate netă        |                 | 2,8 - 3,2 kg           |

- Datorită programului nostru continuu de cercetare și dezvoltare, specificațiile pot fi modificate fără o notificare prealabilă.
- Specificațiile pot varia în funcție de țară.
- Greutatea poate diferi în funcție de accesoriu(ii), inclusiv cartușul acumulatorului. În tabel se prezintă combinația cea mai ușoară și cea mai grea, conform Procedurii EPTA 01/2014.

## Cartușul acumulatorului și încărcătorul aplicabile






|                         |                      |   |
|-------------------------|----------------------|---|
| Cartușul acumulatorului | Model de 14,4 V c.c. | BL1415N / BL1430 / BL1430B / BL1440 / BL1450 / BL1460B  |
|                         | Model de 18 V c.c.   | BL1815N / BL1820 / BL1820B / BL1830 / BL1830B / BL1840 / BL1840B / BL1850 / BL1850B / BL1860B |
| Încărcător              |                      | DC18RC / DC18RD / DC18RE / DC18SD / DC18SE / DC18SF   |

- Este posibil ca unele cartușe ale acumulatorilor și încărcătoare menționate mai sus să nu fie disponibile în funcție de regiunea dvs. de reședință.

**⚠️ AVERTIZARE: Utilizați numai cartușele de acumulator și încărcătoarele enumerate mai sus. Utilizarea oricărui altor cartușe de acumulator și încărcătoare poate duce la rănire și/sau incendiu.**

## Simboluri

Mai jos sunt prezentate simbolurile de pe echipament. Asigurați-vă că înțelegeți sensul acestora înainte de utilizare.

|  |   |
|--|---|
|   | Citiți manualul de utilizare.                           |
|  | Purtați ochelari de protecție.                          |
|  | Nu atingeți matrițele de tăiere în timpul funcționării. |
|  | Aveți grijă la tija filetată tăiată.                    |
|  | Nu vă apropiați fața de mașină în timpul funcționării.  |



Doar pentru țările din cadrul UE  
Nu aruncați aparatele electrice sau acumulatoroare în gunoii menajeri!  
În conformitate cu Directiva europeană privind deșeurile de echipamente electrice și electronice, bateriile și acumulatoroarele, precum și bateriile și acumulatoroarele reziduale și implementarea acestora conform legislației naționale, echipamentele electrice și bateriile și acumulatoroarele care au ajuns la sfârșitul duratei de viață trebuie colectate separat și reciclate corespunzător în vederea protejării mediului.

## Destinația de utilizare

Mașina este destinată tăierii tijelor filetate.

## Zgomot

Nivelul de zgomot normal ponderat A determinat în conformitate cu EN62841:  
Nivel de presiune acustică ( $L_{pA}$ ): 71 dB(A)  
Marjă de eroare (K): 3 dB(A)

Nivelul de zgomot în timpul funcționării poate depăși 80 dB (A).

**⚠️ AVERTIZARE: Purtați echipament de protecție pentru urechi.**

## Vibrații

Valoarea totală a vibrațiilor (suma vectorilor tri-axiali) determinată conform EN62841:

Mod de lucru: tăierea unei tije filetate din oțel inoxidabil (dimensiune tijă W3/8)

Emisie de vibrații ( $a_v$ ): 2,5 m/s<sup>2</sup> sau mai puțin

Marjă de eroare (K): 1,5 m/s<sup>2</sup>

**NOTĂ:** Nivelul de vibrații declarat a fost măsurat în conformitate cu metoda de test standard și poate fi utilizat pentru compararea unei uneelte cu alta.

**NOTĂ:** Nivelul de vibrații declarat poate fi, de asemenea, utilizat într-o evaluare preliminară a expunerii.

**⚠️ AVERTIZARE:** Nivelul de vibrații în timpul utilizării efective a unelei electrice poate diferi de valoarea nivelului declarat, în funcție de modul în care unealta este utilizată.

**⚠️ AVERTIZARE:** Asigurați-vă că identificați măsurile de siguranță pentru a proteja operatorul, acestea fiind bazate pe o estimare a expunerii în condiții reale de utilizare (luând în considerare toate părțile ciclului de operare, precum timpul în care unealta a fost oprită, sau a funcționat în gol, pe lângă timpul de declanșare).

## Declarație de conformitate CE

### Numai pentru țările europene

Declarația de conformitate CE este inclusă ca Anexa A în acest manual de instrucțiuni.

## AVERTIZĂRI DE SIGURANȚĂ

### Avertismente generale de siguranță pentru mașinile electrice

**⚠️ AVERTIZARE:** Citiți toate avertismentele privind siguranța, instrucțiunile, ilustrațiile și specificațiile furnizate cu această sculă electrică. Nerespectarea integrală a instrucțiunilor de mai jos poate cauza electrocutări, incendii și/sau vătămări corporale grave.

### Păstrați toate avertismentele și instrucțiunile pentru consultări ulterioare.

Termenul „mașină electrică” din avertizări se referă la mașinile dumneavoastră electrice acționate de la rețea (prin cablu) sau cu acumulator (fără cablu).

## Avertizări privind siguranța pentru mașina de tăiat tije filetate cu acumulator

1. **Țineți bine mașina.**
2. **Fixați ferm piesa de prelucrat.**
3. **Țineți-vă fața și mâinile departe de piesele mobile.** Fragmentele tije filetate pot fi propulsate în timpul debitării.
4. **Purtați întotdeauna mănuși atunci când manipulați tijele filetate.** Muchiile și așchiile piesei de prelucrat sunt ascuțite.
5. **Nu așezați mașina pe așchiile piesei de prelucrat.** Dacă faceți acest lucru, mașina se poate deteriora sau defecta.
6. **Păstrați-vă întotdeauna echilibrul.** Asigurați-vă că nu se află nicio persoană dedesubt atunci când folosiți mașina la înălțime.
7. **Nu atingeți muchia de tăiere sau piesa de prelucrat imediat după executarea lucrării;** acestea pot fi extrem de fierbinți și pot provoca arsuri ale pielii.
8. **Evitați tăierea cablurilor electrice.** Se pot produce accidente grave prin electrocutare.
9. **Susțineți permanent tija filetată în timpul și după tăiere,** pentru a preveni căderea tije filetate tăiate. O tijă filetată tăiată poate cauza vătămări corporale grave atunci când cade de la înălțimi mari.
10. **Păstrați o distanță de siguranță între corpul dvs. și piesele mobile.** Nu utilizați mașina dacă zona de lucru este prea îngustă pentru a păstra distanța de siguranță.
11. **Nu lăsați niciodată mașina în locații înalte sau pe suprafețe potențial instabile.**

## PĂSTRAȚI ACESTE INSTRUCȚIUNI.

**⚠️ AVERTIZARE:** NU permiteți comodității și familiarizării cu produsul (obținute prin utilizare repetată) să înlocuiască respectarea strictă a normelor de securitate pentru acest produs.

**FOLOSIREA INCORECTĂ** sau nerespectarea normelor de securitate din acest manual de instrucțiuni poate provoca vătămări corporale grave.

## Instrucțiuni importante privind siguranța pentru cartușul acumulatorului

1. **Înainte de a folosi cartușul acumulatorului,** citiți toate instrucțiunile și atenționările de pe (1) încărcătorul acumulatorului, (2) acumulator și (3) produsul care folosește acumulatorul.
2. **Nu dezmembrați cartușul acumulatorului.**
3. **Dacă timpul de funcționare s-a redus excesiv,** întrerupeți imediat funcționarea. Aceasta poate prezenta risc de supraîncălzire, posibile arsuri și chiar explozie.
4. **Dacă electrolitul pătrunde în ochi,** clătiți bine ochii cu apă curată și consultați imediat un medic. Există risc de orbire.

5. **Nu scurtcircuitați cartușul acumulatorului:**
  - (1) Nu atingeți bornele cu niciun material conductor.
  - (2) Evitați depozitarea cartușului acumulatorului la un loc cu alte obiecte metalice cum ar fi cuie, monede etc.
  - (3) Nu expuneți cartușul acumulatorului la apă sau ploaie.

Un scurtcircuit al acumulatorului poate provoca un flux puternic de curent electric, supraîncălzire, posibile arsuri și chiar defectarea mașinii.
6. **Nu depozitați mașina și cartușul acumulatorului în spații în care temperatura poate atinge sau depăși 50 °C (122 °F).**
7. **Nu incinerați cartușul acumulatorului chiar dacă acesta este grav deteriorat sau complet uzat. Cartușul acumulatorului poate exploda în foc.**
8. **Aveți grijă să nu scăpați sau să loviți acumulatorul.**
9. **Nu utilizați un acumulator deteriorat.**
10. **Acumulatorii Li-Ion încorporați se supun cerințelor Legislației privind substanțele periculoase.**

Pentru transporturi comerciale, efectuate de exemplu de către părți terțe, expeditori, trebuie respectate cerințele speciale de ambalare și etichetare.

Pentru pregătirea articolului care urmează să fie expedit, este necesară consultarea unui expert în materiale periculoase. Vă rugăm să respectați, de asemenea, reglementările naționale, care pot fi mai detaliate.

Izolați sau acoperiți contactele deschise și împachetați acumulatorul în așa fel încât să nu se poată mișca în ambalaj.

11. **Respectați normele naționale privind eliminarea la deșeuri a acumulatorului.**
12. **Utilizați acumulatoroale numai cu produsele specificate de Makita.** Instalarea acumulatorilor în produse neconforme poate cauza incendii, căldură excesivă, explozii sau scurgeri de electroliți.

## PĂSTRAȚI ACESTE INSTRUCȚIUNI.

**⚠ATENȚIE:** Folosiți numai acumulatori Makita originali. Acumulatorii Makita care nu sunt originali și acumulatorii care au suferit modificări se pot aprinde, provocând incendii, leziuni corporale și daune. De asemenea, anulează garanția oferită de Makita pentru unealta și încărcătorul Makita.

## Sfaturi pentru obținerea unei durate maxime de exploatare a acumulatorului

1. **Încărcați cartușul acumulatorului înainte de a se descărca complet. Întrerupeți întotdeauna funcționarea mașinii și încărcați cartușul acumulatorului când observați o scădere a puterii mașinii.**
2. **Nu reîncărcați niciodată un acumulator complet încărcat. Supraîncărcarea va scurta durata de exploatare a acumulatorului.**
3. **Încărcați cartușul acumulatorului la temperatura camerei, între 10 °C - 40 °C (50 °F - 104 °F). Lăsați un acumulator fierbinte să se răcească înainte de a-l încărca.**
4. **Încărcați cartușul acumulatorului în cazul în care nu a fost utilizat pe o perioadă mai lungă (mai mult de șase luni).**

## DESCRIERE COMPONENTE

► Fig.1

|    |                    |    |  |    |                     |    |                  |
|----|--------------------|----|--|----|---------------------|----|------------------|
| 1  | Ansamblu staționar | 2  | Ansamblu mobil   | 3  | Matriță de tăiere   | 4  | Bolț             |
| 5  | Cârlig             | 6  | Suport al centurii pentru umăr (ca accesoriu opțional) | 7  | Cheie imbus         | 8  | Lampă (interior) |
| 9  | Parte frontală     | 10 | Buton declanșator                                      | 11 | Pârghie de inversor | 12 | Ghidaj al tijei  |
| 13 | Scală de ghidare   | 14 | Șurub de strângere                                     | 15 | Capac               | -  | -                |

## DESCRIEREA FUNCȚIILOR

**ATENȚIE:** Asigurați-vă întotdeauna că mașina este oprită și cartușul acumulatorului este scos înainte de a ajusta sau verifica funcționarea mașinii.

### Instalarea sau scoaterea cartușului acumulatorului

**ATENȚIE:** Opriti întotdeauna mașina înainte de montarea sau demontarea cartușului de acumulator.

**ATENȚIE:** Țineți ferm mașina și cartușul acumulatorului la montarea sau demontarea cartușului. În cazul în care nu țineți ferm mașina și cartușul de acumulator, acestea vă pot aluneca din mâini, rezultând defectarea mașinii și cartușului de acumulator, precum și în accidentări personale.

► Fig.2: 1. Indicator roșu 2. Buton 3. Cartușul acumulatorului

Pentru a scoate cartușul acumulatorului, glisați-l din mașină în timp ce glisați butonul de pe partea frontală a cartușului.

Pentru a instala cartușul acumulatorului, aliniați limba de pe cartușul acumulatorului cu canelura din carcasă și introduceți-l în locaș. Introduceți-l complet, până când se înclochetează în locaș. Dacă puteți vedea indicatorul roșu din partea superioară a butonului, acesta nu este blocat complet.

**ATENȚIE:** Instalați întotdeauna cartușul acumulatorului complet, până când indicatorul roșu nu mai este vizibil. În caz contrar, acesta poate cădea accidental din mașină provocând rănirea dumneavoastră sau a persoanelor din jur.

**ATENȚIE:** Nu forțați cartușul acumulatorului la montare. Dacă acesta nu glisează ușor, înseamnă că a fost introdus incorect.

### Sistem de protecție mașină/ acumulator

Mașina este prevăzută cu un sistem de protecție mașină/ acumulator. Sistemul întrerupe automat alimentarea motorului pentru a extinde durata de viață a mașinii și acumulatorului. Mașina se va opri automat în timpul funcționării dacă mașina sau acumulatorul se află într-una din situațiile următoare. În unele situații, indicatoarele luminează.

### Protecție la suprasarcină

Când mașina este utilizată într-un mod care duce la un consum exagerat de curent, mașina se va opri automat, fără nicio indicație. În această situație, opriți mașina și aplicația care a dus la suprasolicitarea mașinii. Apoi reporniți mașina.

**NOTĂ:** Protecția la suprasarcină se activează atunci când încercați să tăiați următoarele tipuri de tije filetate.

- O tijă filetată care este mai mare decât dimensiunea matrițelor de tăiere.
- O tijă filetată care este mai tare decât capacitatea de tăiere a matrițelor de tăiere.

### Protecție la supraîncălzire

Când mașina se supraîncălzește, se oprește automat și lampa cu LED va lumina intermitent. Lăsați unealta să se răcească înainte de a o reporni.

### Protecție la supradescărcare

Când capacitatea acumulatorului scade, mașina se oprește automat. Dacă produsul nu funcționează deși întrerupătoarele sunt acționate, scoateți acumulatorii din mașină și încărcați-i.

### Indicarea capacității rămase a acumulatorului

**Numai pentru cartușe de acumulator cu indicator**

► Fig.3: 1. Lămpi indicatoare 2. Buton de verificare

Apăsăți butonul de verificare de pe cartușul acumulatorului, astfel încât să se indice capacitățile rămase ale acumulatorului. Lămpile indicatorului vor lumina timp de câteva secunde.

| Lămpi indicatoare |       |                        | Capacitate rămasă                           |
|-------------------|-------|------------------------|---|
| Iluminat          | Oprit | Iluminare intermitentă |   |
| ■                 | □     | ▨                      | Între 75% și 100%                           |
| ■                 | ■     | □                      | Între 50% și 75%                            |
| ■                 | ■     | □                      | Între 25% și 50%                            |
| ■                 | □     | □                      | Între 0% și 25%                             |
| ▨                 | □     | □                      | Încărcați acumulatorul.                     |
| ■                 | ■     | □                      | Este posibil ca acumulatorul să fie defect. |
| □                 | □     | ■                      |   |

**NOTĂ:** În funcție de condițiile de utilizare și temperatura ambientală, indicația poate fi ușor diferită de capacitatea reală.

## Acționarea întrerupătorului

**⚠️ ATENȚIE:** Înainte de a introduce cartușul acumulatorului în mașină, verificați întotdeauna dacă butonul declanșator funcționează corect și revine în poziția „OFF” (oprit) când este eliberat.

Pentru a porni mașina, continuați să acționați butonul declanșator. Matrița de tăiere de pe ansamblul mobil se va suprapune cu matrița de pe ansamblul staționar și apoi va reveni. Dacă eliberați butonul declanșator înainte de finalizarea tăierii, matrițele de tăiere se vor opri.

► **Fig.4:** 1. Buton declanșator

► **Fig.5:** 1. Ansamblu staționar 2. Matriță de tăiere  
3. Ansamblu mobil

**NOTĂ:** Nu acționați unealta în gol în mod inutil.

## Funcția de oprire automată

Atunci când continuați să acționați butonul declanșator, falca matrițelor se închide o dată și revine la o poziție complet deschisă, iar apoi se oprește. Eliberați butonul declanșator și acționați-l din nou pentru a începe următoarea operațiune de tăiere.

## Pârghie de inversor

**⚠️ AVERTIZARE:** Atunci când nu folosiți mașina, lăsați întotdeauna pârghia de inversor în poziția blocată.

**⚠️ ATENȚIE:** Verificați permanent poziția pârghiei de inversor înainte de funcționare.

**NOTĂ:** Nu mutați pârghia de inversor atunci când acționați butonul declanșator. Acest lucru poate cauza deteriorarea mașinii.

Pentru a începe operația de tăiere, potriviți pârghia de inversor în poziția de tăiere.

Pentru a inversa operațiunea de tăiere, potriviți pârghia de inversor în poziția de revenire. Atunci când continuați să acționați butonul declanșator, falca matrițelor se deschide și se oprește într-o poziție complet deschisă. Pentru a bloca butonul declanșator, potriviți pârghia de inversor în poziția de blocare. Butonul declanșator nu poate fi acționat în această poziție.

► **Fig.6:** 1. Pârghie de inversor 2. Poziție de tăiere  
3. Poziție blocată 4. Poziție de revenire

**NOTĂ:** Când pârghia de inversor se află în poziția de revenire, folosiți mașina doar după necesități. Pentru a preveni defecțiunile, mașina se va opri automat atunci când funcționează continuu în poziția de revenire.

**NOTĂ:** După tăiere, dacă eliberați butonul declanșator în timp ce falca matrițelor de tăiere se deschide și apoi potriviți pârghia de inversor într-o poziție de revenire, falca se va închide o dată și apoi se va deschide atunci când acționați din nou butonul declanșator.

## Lămpi cu LED-uri

**⚠️ ATENȚIE:** Nu priviți direct în raza sau în sursa de lumină.

Trageți butonul declanșator pentru a aprinde lampa. Lampa continuă să lumineze atât timp cât butonul declanșator este tras. Lampa se stinge la aproximativ 15 secunde de la eliberarea butonului declanșator.

► **Fig.7:** 1. Lampă (interior)

**NOTĂ:** Folosiți o lavetă uscată pentru a șterge murdăria de pe lentila lămpii. Aveți grijă să nu zgâriați lentila lămpii deoarece, în caz contrar, iluminarea va fi redusă.

**NOTĂ:** În momentul în care mașina se supraîncălezește, lampa luminează intermitent. În acest caz, lăsați mașina să se răcească.

## Scală de ghidare

Folosiți scala de ghidare dacă doriți să tăiați tije filetate la aceeași lungime. Introduceți scala de ghidare în orificiu, astfel cum este prezentat în imagine.

► **Fig.8:** 1. Scală de ghidare 2. Șurub de strângere

Aliniați valoarea lungimii dorite pe scala de ghidare cu linia de tăiere. Apoi strângeți șuruburile de strângere.

► **Fig.9:** 1. Scală de ghidare 2. Linie de tăiere  
3. Șurub de strângere

**⚠️ ATENȚIE:** Nu utilizați scala de ghidare pentru a transporta sau a sprijini mașina. Mașina poate cădea și provoca vătămări corporale și/sau se poate deteriora.

## Ghidaj al tije

Pentru o tăiere exactă, potriviți ghidajul tije în poziție în funcție de diametrul tije filetate de tăiat.

► **Fig.10:** 1. Ghidaj al tije (Poziția 1) 2. Ghidaj al tije (Poziția 2)

Există două poziții ale ghidajului tije.

| Poziția | Dimensiunea tije filetate |
|---------|---------------------------|
| 1       | W3/8, M10                 |
| 2       | M8, M6                    |

## Cârlig

**⚠️ ATENȚIE:** Nu agățați niciodată mașina în zone cu vânt sau pe suprafețe potențial instabile.

**⚠️ ATENȚIE:** Nu utilizați agățatoarea dacă este deformată sau deteriorată.

**⚠️ ATENȚIE:** Dacă nu utilizați mașina, cârligul trebuie să fie permanent pliat.

Cârligul este util pentru suspendarea temporară a mașinii.

► **Fig.11:** 1. Cârlig

**⚠️ ATENȚIE:** Nu agățați cârligul de centura de la brâu. Se pot produce vătămări corporale și/sau mașina se poate deteriora dacă este scăpată.

► **Fig.12**

## Depozitarea cheii imbus

Atunci când nu este utilizată, depozitați cheia imbus după cum se vede în figură pentru a nu se pierde.

► **Fig.13:** 1. Cheie imbus

## Centură pentru umăr

### Accesoriu opțional

Centura pentru umăr este utilă pentru transportarea mașinii.

► **Fig.14:** 1. Centură pentru umăr 2. Căpăt al centurii 3. Cataramă

**ATENȚIE:** Purtați permanent centura pentru umăr transversal pe corp și reglată la lungimea potrivită.

**ATENȚIE:** Nu utilizați centura pentru umăr dacă este deteriorată.

**ATENȚIE:** Lăsați o lungime suficientă între cataramă și capătul centurii pentru a preveni alunecarea capătului centurii prin cataramă.

## ASAMBLARE

**ATENȚIE:** Asigurați-vă întotdeauna că mașina este oprită și cartușul acumulatorului este scos înainte de a executa orice lucrări la mașină.

## Montarea matrițelor de tăiere

**ATENȚIE:** Montați permanent matrițele de tăiere în direcțiile corecte și fixați-le ferm. Montarea incorectă sau slăbită poate provoca rupea matrițelor de tăiere, cauzând vătămări corporale din cauza fragmentelor propulsate.

**NOTĂ:** Îndepărtați bavurile de pe matrițele de tăiere folosind o pilă, dacă este necesar.

1. Verificați dacă falca matrițelor de tăiere este complet deschisă. Dacă nu, montați acumulatorul și acționați butonul declanșator până când falca este complet deschisă.

**ATENȚIE:** Asigurați-vă că ați îndepărtat cartușul acumulatorului dacă l-ați instalat.

2. Potrivii pârghia de inversor în poziția de blocare.  
► **Fig.15:** 1. Pârghie de inversor

3. Deșurubați bolțurile cu ajutorul cheii imbus furnizate.

**ATENȚIE:** Folosiți numai cheile Makita livrate cu mașina. Folosirea altor chei poate duce la strângerea excesivă sau insuficientă care poate provoca vătămări corporale.

4. Potrivii matrițele de tăiere pe ansambluri, astfel încât cele două marcaje colorate să fie vizibile.

► **Fig.16:** 1. Bolț 2. Matriță de tăiere 3. Ansamblu staționar 4. Ansamblu mobil 5. Marcaj colorat 6. Cheie imbus

5. Fixați matrițele de tăiere ferm cu ajutorul bolțurilor.

Matrițele de tăiere sunt corect montate dacă săgețile de pe acestea sunt orientate una spre cealaltă. Dimensiunile matrițelor de tăiere sunt aceleași, dar par a avea o grosime diferită dacă sunt privite din partea de sus.

► **Fig.17:** 1. Săgeată 2. Matriță de tăiere 3. Parte subțire 4. Parte groasă

## OPERAREA

**ATENȚIE:** Asigurați-vă că ați instalat pe mașină matrițe de tăiere cu dimensiunea corectă. Verificați capacitatea de tăiere specificată pe matrițele de tăiere înainte de a executa lucrarea.

**ATENȚIE:** Înainte de a acționa butonul declanșator, asigurați-vă că ați potrivit tija filetată, astfel încât filetul să se potrivească cu cel al matrițelor de tăiere. Alinierea incorectă a filetelor poate rupe matrițele de tăiere și poate provoca vătămări corporale din cauza fragmentelor propulsate.

**ATENȚIE:** Înclocuiți matrițele de tăiere dacă muchia de tăiere este ciobită sau deformată.

În momentul executării operației, așezați tija filetată perpendicular pe linia de tăiere, astfel cum este prezentat în imagine.

► **Fig.18:** 1. Linie de tăiere

**NOTĂ:** Atunci când tăiați o tijă filetată fabricată din metal moale, precum oțelul inoxidabil, se pot produce bavuri pe capătul tăiat. În acest caz, îndepărtați bavurile cu ajutorul unei pile.

► **Fig.19:** 1. Tijă filetată 2. Bavură

## Tăierea tijelor filetate fixate

Atunci când tăiați o tijă filetată care este fixată pe o construcție, precum tavan, perete, podea etc., urmați procedura de mai jos:

► **Fig.20:** 1. Tijă filetată 2. Matriță de tăiere pe ansamblu staționar

1. Deplasați mașina, astfel încât tija filetată să fie poziționată între matrițele de tăiere.

2. Atunci când tija filetată intră în contact cu ghidajul tijei, potrivii filetul tijei cu cel al matriței de tăiere de pe ansamblul staționar.

3. Acționați și mențineți acționat butonul declanșator până când ați finalizat tăierea și falca matrițelor de tăiere revine la poziția complet deschisă.

**NOTĂ:** Curățați partea frontală a mașinii și vârful scalei de ghidare înainte de operație. Acestea pot murdări suprafața de contact.



## Tăierea tijelor filetate independente

Atunci când tăiați o tijă filetată pe podea sau pe un banc de lucru, urmați procedura de mai jos:

► **Fig.21:** 1. Tijă filetată 2. Matriță de tăiere pe ansamblu staționar

1. Poziționați o tijă filetată între matrițele de tăiere.
2. Atunci când tija filetată intră în contact cu ghidajul tije, potriviți filetul tije cu cel al matriței de tăiere de pe ansamblu staționar.
3. Acționați și mențineți acționat butonul declanșator până când ați finalizat tăierea și falca matrițelor de tăiere revine la poziția complet deschisă.

Atunci când tăiați o tijă filetată lungă și care nu poate fi ținută cu mâna, așezați mașina, astfel cum este prezentat în imagine. Mașina poate fi așezată pe o suprafață plană. Capacul poate fi utilizat și pentru a sprijini capătul tije filetate.

► **Fig.22:** 1. Capac (Poziția 1) 2. Ghidaj al tije (Poziția 1) 3. Capac (Poziția 2) 4. Ghidaj al tije (Poziția 2)

Capacul are marcaje pentru a indica poziția. În funcție de dimensiunea tije filetate, așezați capacul în poziție, astfel cum este prezentat în tabel și ghidajul tije.

| Poziția | Dimensiunea tije filetate |
|---------|---------------------------|
| 1       | W3/8, M10                 |
| 2       | M8, M6                    |

## Oprirea tăierii în timpul operației

**ATENȚIE:** Nu încercați niciodată să scoateți mașina forțat de pe tija filetată. Acest lucru poate declanșa o pornire accidentală care poate provoca vătămări corporale sau defecțiuni ale matrițelor de tăiere și ale mașinii.

Atunci când opriți tăierea în timpul operației, potriviți pârghia de inversor în poziția de revenire și acționați butonul declanșator până ce tija filetată este eliberată complet din matrițele de tăiere.

## ÎNȚREȚINERE

**ATENȚIE:** Asigurați-vă întotdeauna că mașina este oprită și cartușul acumulatorului scos înainte de a executa lucrările de inspecție și întreținere.

**NOTĂ:** Nu utilizați niciodată gazolină, benzină, diluant, alcool sau alte substanțe asemănătoare. În caz contrar, pot rezulta decolorări, deformări sau fisuri.

## Înlocuirea matrițelor de tăiere

**NOTĂ:** Înlocuiți ambele matrițe de tăiere în același timp. Înlocuirea unei singure părți a matriței de tăiere poate produce bavuri pe tija filetată.

Înlocuiți matrițele de tăiere atunci când sunt ciobite, deformate sau tocite. Pentru a le înlocui, urmați instrucțiunile din secțiunea „Montarea matrițelor de tăiere”.

► **Fig.23:** 1. Ciobire 2. Deformare

O matriță de tăiere are două muchii de tăiere și o parte grosă și o parte subțire. Schimbați pozițiile de montare ale matrițelor de tăiere dacă nu ați utilizat ambele părți ale muchiilor de tăiere.

► **Fig.24:** 1. Muchie de tăiere 2. Parte subțire 3. Parte grosă

## Transportarea/depozitarea mașinii

**ATENȚIE:** Atunci când nu utilizați mașina, montați întotdeauna capacul prevăzut pentru ansamblul de tăiere.

Montați capacul atunci când transportați mașina. Atunci când depozitați mașina, scoateți cartușul acumulatorului și scala de ghidare de pe mașină. Curățați praful de pe matrițele de tăiere și de pe ansamblul mobil. Ulterior, montați capacul.

► **Fig.25:** 1. Capac

Pentru a menține SIGURANȚA și FIABILITATEA produsului, reparațiile și orice alte lucrări de întreținere sau reglare trebuie executate de centre de service Makita autorizate sau proprii, folosind întotdeauna piese de schimb Makita.

## ACCESORII OPȚIONALE

**ATENȚIE:** Folosiți accesoriile sau piesele auxiliare recomandate pentru mașina dumneavoastră Makita în acest manual. Utilizarea oricăror alte accesorii sau piese auxiliare poate prezenta risc de vătămare corporală. Utilizați accesoriile și piesele auxiliare numai în scopul destinat.

Dacă aveți nevoie de asistență sau de mai multe detalii referitoare la aceste accesorii, adresați-vă centrului local de service Makita.

- Matrițe de tăiere
- Centură pentru umăr
- Acumulator și încărcător original Makita

**NOTĂ:** Unele articole din listă pot fi incluse ca accesorii standard în ambalajul de scule. Acestea pot diferi în funcție de țară.

## TECHNISCHE DATEN

|                 |            |  |
|-----------------|------------|--|
| <b>Modell:</b>  |            | <b>DSC102</b>                          |
| Schnittleistung | Weichstahl | W3/8, M10, M8, M6                      |
|                 | Edelstahl  | W3/8, M8, M6                           |
| Gesamtlänge     |            | 199 mm                                 |
| Nennspannung    |            | 18 V Gleichstrom<br>14,4 V Gleichstrom |
| Nettogewicht    |            | 2,8 - 3,2 kg                           |

- Wir behalten uns vor, Änderungen der technischen Daten im Zuge der Entwicklung und des technischen Fortschritts ohne vorherige Ankündigung vorzunehmen.
- Die technischen Daten können von Land zu Land unterschiedlich sein.
- Das Gewicht kann abhängig von dem Aufsatz (den Aufsätzen), einschließlich des Akkus, unterschiedlich sein. Die leichteste und die schwerste Kombination, gemäß dem EPTA-Verfahren 01/2014, sind in der Tabelle angegeben.

### Zutreffende Akkus und Ladegeräte






|           |                           |   |
|-----------|---------------------------|---|
| Akku      | 14,4-V-Gleichstrom-Modell | BL1415N / BL1430 / BL1430B / BL1440 / BL1450 / BL1460B  |
|           | 18-V-Gleichstrom-Modell   | BL1815N / BL1820 / BL1820B / BL1830 / BL1830B / BL1840 / BL1840B / BL1850 / BL1850B / BL1860B |
| Ladegerät |                           | DC18RC / DC18RD / DC18RE / DC18SD / DC18SE / DC18SF   |

- Einige der oben aufgelisteten Akkus und Ladegeräte sind je nach Ihrem Wohngebiet eventuell nicht erhältlich.

**⚠️ WARNUNG:** Verwenden Sie nur die oben aufgeführten Akkus und Ladegeräte. Bei Verwendung irgendwelcher anderer Akkus und Ladegeräte besteht Verletzungs- und/oder Brandgefahr.

### Symbole

Nachfolgend werden die für das Gerät verwendeten Symbole beschrieben. Machen Sie sich vor der Benutzung mit ihrer Bedeutung vertraut.

|  |   |
|--|---|
|   | Betriebsanleitung lesen.  |
|  | Schutzbrille tragen.  |
|  | Berühren Sie die Schneidwerkzeuge nicht während des Betriebs.                 |
|  | Achten Sie auf eine abgeschnittene Gewindestange.                             |
|  | Bringen Sie Ihr Gesicht während des Betriebs nicht in die Nähe des Werkzeugs. |



Nur für EU-Länder  
Werfen Sie Elektrogeräte oder Akkus nicht in den Hausmüll!  
Unter Einhaltung der Europäischen Richtlinie über Elektro- und Elektronik-Altgeräte, Batterien, Akkus sowie verbrauchte Batterien und Akkus und ihre Umsetzung gemäß den Landesgesetzen müssen Elektrogeräte und Batterien bzw. Akkus, die das Ende ihrer Lebensdauer erreicht haben, getrennt gesammelt und einer umweltgerechten Recycling-Einrichtung zugeführt werden.

### Vorgesehene Verwendung

Das Werkzeug ist für das Schneiden von Gewindestangen vorgesehen.

### Geräusch

Typischer A-bewerteter Geräuschpegel ermittelt gemäß EN62841:

Schalldruckpegel ( $L_{pA}$ ): 71 dB (A)  
Messunsicherheit (K): 3 dB (A)

Der Geräuschpegel kann während des Betriebs 80 dB (A) überschreiten.

**⚠️ WARNUNG:** Einen Gehörschutz tragen.

## Schwingungen

Schwingungsgesamtwert (Drei-Achsen-Vektorsumme) ermittelt gemäß EN62841:

Arbeitsmodus: Schneiden von Edelstahl-

Gewindestangen (Stangengröße W3/8)

Schwingungsemission ( $a_w$ ): 2,5 m/s<sup>2</sup> oder weniger

Messunsicherheit (K): 1,5 m/s<sup>2</sup>

**HINWEIS:** Der angegebene

Schwingungsemissionswert wurde im Einklang mit der Standardprüfmethode gemessen und kann für den Vergleich zwischen Werkzeugen herangezogen werden.

**HINWEIS:** Der angegebene

Schwingungsemissionswert kann auch für eine Vorbewertung des Gefährdungsgrads verwendet werden.

**⚠️ WARNUNG:** Die Schwingungsemission während der tatsächlichen Benutzung des Werkzeugs kann je nach der Benutzungsweise des Werkzeugs vom angegebenen Emissionswert abweichen.

**⚠️ WARNUNG:** Identifizieren Sie Sicherheitsmaßnahmen zum Schutz des Benutzers anhand einer Schätzung des Gefährdungsgrads unter den tatsächlichen Benutzungsbedingungen (unter Berücksichtigung aller Phasen des Arbeitszyklus, wie z. B. Ausschalt- und Leerlaufzeiten des Werkzeugs zusätzlich zur Betriebszeit).

## EG-Konformitätserklärung

*Nur für europäische Länder*

Die EG-Konformitätserklärung ist als Anhang A in dieser Bedienungsanleitung enthalten.

## SICHERHEITSWARNUNGEN

### Allgemeine Sicherheitswarnungen für Elektrowerkzeuge

**⚠️ WARNUNG:** Lesen Sie alle mit diesem Elektrowerkzeug gelieferten Sicherheitswarnungen, Anweisungen, Abbildungen und technischen Daten durch. Eine Missachtung der unten aufgeführten Anweisungen kann zu einem elektrischen Schlag, Brand und/oder schweren Verletzungen führen.

### Bewahren Sie alle Warnungen und Anweisungen für spätere Bezugnahme auf.

Der Ausdruck „Elektrowerkzeug“ in den Warnhinweisen bezieht sich auf Ihr mit Netzstrom (mit Kabel) oder Akku (ohne Kabel) betriebenes Elektrowerkzeug.

## Sicherheitswarnungen für Akku-Gewindestangenschneider

1. **Halten Sie das Werkzeug mit festem Griff.**
2. **Spannen Sie das Werkstück sicher ein.**
3. **Halten Sie Ihr Gesicht und Ihre Hände von beweglichen Teilen fern.** Während des Schneidens können Bruchstücke der Gewindestange weggeschleudert werden.
4. **Tragen Sie stets Handschuhe bei der Handhabung von Gewindestangen.** Kanten und Späne des Werkstücks sind scharf.
5. **Legen Sie das Werkzeug nicht auf die Späne des Werkstücks.** Anderenfalls kann es zu Beschädigung und Störung des Werkzeugs kommen.
6. **Achten Sie stets auf sicheren Stand.** Vergewissern Sie sich bei Einsatz des Werkzeugs an hochgelegenen Arbeitsplätzen, dass sich keine Personen darunter aufhalten.
7. **Vermeiden Sie eine Berührung der Schneidkante oder des Werkstücks unmittelbar nach der Bearbeitung,** weil die Teile dann möglicherweise noch sehr heiß sind und Hautverbrennungen verursachen können.
8. **Vermeiden Sie das Schneiden von elektrischen Kabeln.** Dies kann einen schweren Unfall durch elektrischen Schlag verursachen.
9. **Halten Sie die Gewindestange während und nach dem Schneiden stets fest, um Herunterfallen der abgeschnittenen Gewindestange zu verhindern.** Eine abgeschnittene Gewindestange kann ernsthafte Personenschäden verursachen, falls sie von einem hohen Ort herunterfällt.
10. **Halten Sie einen Sicherheitsabstand zwischen Ihrem Körper und den beweglichen Teilen ein.** Betreiben Sie das Werkzeug nicht, falls der Arbeitsbereich zu eng ist, um einen Sicherheitsabstand einzuhalten.
11. **Lassen Sie das Werkzeug auf keinen Fall an hoch gelegenen Stellen oder an einer potentiell instabilen Fläche liegen.**

### DIESE ANWEISUNGEN AUFBEWAHREN.

**⚠️ WARNUNG:** Lassen Sie sich NICHT durch Bequemlichkeit oder Vertrautheit mit dem Produkt (durch wiederholten Gebrauch erworben) von der strikten Einhaltung der Sicherheitsregeln für das vorliegende Produkt abhalten.

**MISSBRAUCH** oder Missachtung der Sicherheitsvorschriften in dieser Anleitung können schwere Verletzungen verursachen.

## Wichtige Sicherheitsanweisungen für Akku

1. Lesen Sie vor der Benutzung des Akkus alle Anweisungen und Warnhinweise, die an (1) Ladegerät, (2) Akku und (3) Akkuwerkzeug angebracht sind.
2. Unterlassen Sie ein Zerlegen des Akkus.
3. Falls die Betriebszeit beträchtlich kürzer geworden ist, stellen Sie den Betrieb sofort ein. Andernfalls besteht die Gefahr von Überhitzung, möglichen Verbrennungen und sogar einer Explosion.
4. Falls Elektrolyt in Ihre Augen gelangt, waschen Sie sie mit sauberem Wasser aus, und begeben Sie sich unverzüglich in ärztliche Behandlung. Andernfalls können Sie Ihre Sehkraft verlieren.
5. Der Akku darf nicht kurzgeschlossen werden:
  - (1) Die Kontakte dürfen nicht mit leitfähigem Material berührt werden.
  - (2) Lagern Sie den Akku nicht in einem Behälter zusammen mit anderen Metallgegenständen, wie z. B. Nägel, Münzen usw.
  - (3) Setzen Sie den Akku weder Wasser noch Regen aus.

Ein Kurzschluss des Akkus verursacht starken Stromfluss, der Überhitzung, mögliche Verbrennungen und einen Defekt zur Folge haben kann.

6. Lagern Sie das Werkzeug und den Akku nicht an Orten, an denen die Temperatur 50 °C erreichen oder überschreiten kann.
7. Versuchen Sie niemals, den Akku zu verbrennen, selbst wenn er stark beschädigt oder vollkommen verbraucht ist. Der Akku kann im Feuer explodieren.
8. Achten Sie darauf, dass der Akku nicht fallen gelassen oder Stößen ausgesetzt wird.
9. Benutzen Sie keine beschädigten Akkus.
10. Die enthaltenen Lithium-Ionen-Akkus unterliegen den Anforderungen der Gefahrgut-Gesetzgebung.

Für kommerzielle Transporte, z. B. durch Dritte oder Spediteure, müssen besondere Anforderungen zu Verpackung und Etikettierung beachtet werden.

Zur Vorbereitung des zu transportierenden Artikels ist eine Beratung durch einen Experten für Gefahrgut erforderlich. Bitte beachten Sie möglicherweise ausführlichere nationale Vorschriften. Überkleben oder verdecken Sie offene Kontakte, und verpacken Sie den Akku so, dass er sich in der Verpackung nicht umher bewegen kann.

11. Befolgen Sie die örtlichen Bestimmungen bezüglich der Entsorgung von Akkus.
12. Verwenden Sie die Akkus nur mit den von Makita angegebenen Produkten. Das Einsetzen der Akkus in nicht konforme Produkte kann zu einem Brand, übermäßiger Hitzebildung, einer Explosion oder Auslaufen von Elektrolyt führen.

## DIESE ANWEISUNGEN AUFBEWAHREN.

**⚠ VORSICHT:** Verwenden Sie nur Original-Makita-Akkus. Die Verwendung von Nicht-Original-Makita-Akkus oder von Akkus, die abgeändert worden sind, kann zum Bersten des Akkus und daraus resultierenden Bränden, Personenschäden und Beschädigung führen. Außerdem wird dadurch die Makita-Garantie für das Makita-Werkzeug und -Ladegerät ungültig.

## Hinweise zur Aufrechterhaltung der maximalen Akku-Nutzungsdauer

1. Laden Sie den Akku, bevor er vollkommen erschöpft ist. Schalten Sie das Werkzeug stets aus, und laden Sie den Akku, wenn Sie ein Nachlassen der Werkzeugleistung feststellen.
2. Unterlassen Sie erneutes Laden eines voll aufgeladenen Akkus. Überladen führt zu einer Verkürzung der Nutzungsdauer des Akkus.
3. Laden Sie den Akku bei Raumtemperatur zwischen 10 – 40 °C. Lassen Sie einen heißen Akku abkühlen, bevor Sie ihn laden.
4. Der Akku muss geladen werden, wenn er lange Zeit (länger als sechs Monate) nicht benutzt wird.

## BEZEICHNUNG DER TEILE

► Abb.1

|    |                      |    |                                       |    |                   |    |                |
|----|----------------------|----|---------------------------------------|----|-------------------|----|----------------|
| 1  | Stationäre Halterung | 2  | Bewegliche Halterung                  | 3  | Schneidwerkzeug   | 4  | Schraube       |
| 5  | Aufhänger            | 6  | Schulterriemenöse (für Sonderzubehör) | 7  | Inbusschlüssel    | 8  | Lampe (innen)  |
| 9  | Stirnseite           | 10 | Auslöseschalter                       | 11 | Umkehrschalthebel | 12 | Stangenführung |
| 13 | Führungsstab         | 14 | Klemmschraube                         | 15 | Abdeckung         | -  | -              |

# FUNKTIONSBESCHREIBUNG

**⚠ VORSICHT:** Vergewissern Sie sich vor der Durchführung von Einstellungen oder Funktionsprüfungen des Werkzeugs stets, dass das Werkzeug ausgeschaltet und der Akku abgenommen ist.

## Anbringen und Abnehmen des Akkus

**⚠ VORSICHT:** Schalten Sie das Werkzeug stets aus, bevor Sie den Akku anbringen oder abnehmen.

**⚠ VORSICHT:** Halten Sie das Werkzeug und den Akku beim Anbringen oder Abnehmen des Akkus sicher fest. Wenn Sie das Werkzeug und den Akku nicht sicher festhalten, können sie Ihnen aus der Hand rutschen, was zu einer Beschädigung des Werkzeugs und des Akkus und zu Körperverletzungen führen kann.

► **Abb.2:** 1. Rote Anzeige 2. Knopf 3. Akku

Ziehen Sie den Akku zum Abnehmen vom Werkzeug ab, während Sie den Knopf an der Vorderseite des Akkus verschieben.

Richten Sie zum Anbringen des Akkus dessen Führungsfeder auf die Nut im Gehäuse aus, und schieben Sie den Akku hinein. Schieben Sie ihn vollständig ein, bis er mit einem hörbaren Klicken einrastet. Falls die rote Anzeige an der Oberseite des Knopfes sichtbar ist, ist der Akku nicht vollständig verriegelt.

**⚠ VORSICHT:** Schieben Sie den Akku stets bis zum Anschlag ein, bis die rote Anzeige nicht mehr sichtbar ist. Anderenfalls kann er aus dem Werkzeug herausfallen und Sie oder umstehende Personen verletzen.

**⚠ VORSICHT:** Unterlassen Sie Gewaltanwendung beim Anbringen des Akkus. Falls der Akku nicht reibungslos hineingleitet, ist er nicht richtig ausgerichtet.

## Werkzeug/Akku-Schutzsystem

Das Werkzeug ist mit einem Werkzeug/Akku-Schutzsystem ausgestattet. Dieses System schaltet die Stromversorgung des Motors automatisch ab, um die Lebensdauer von Werkzeug und Akku zu verlängern. Das Werkzeug bleibt während des Betriebs automatisch stehen, wenn das Werkzeug oder der Akku einer der folgenden Bedingungen unterliegt. Bei manchen Bedingungen leuchten die Anzeigen auf.

### Überlastschutz

Wird das Werkzeug auf eine Weise benutzt, die eine ungewöhnlich hohe Stromaufnahme bewirkt, bleibt es ohne jegliche Anzeige automatisch stehen. Schalten Sie in dieser Situation das Werkzeug aus, und brechen Sie die Arbeit ab, die eine Überlastung des Werkzeugs verursacht hat. Schalten Sie dann das Werkzeug wieder ein, um neu zu starten.

**HINWEIS:** Der Überlastschutz wird aktiviert, wenn Sie versuchen, die folgenden Arten von Gewindestangen zu schneiden.

- Eine Gewindestange, die größer als die Größe der Schneidwerkzeuge ist.
- Eine Gewindestange, die härter als die Schnittleistung der Schneidwerkzeuge ist.

### Überhitzungsschutz

Wenn das Werkzeug überhitzt wird, bleibt es automatisch stehen, und die LED blinkt. Lassen Sie das Werkzeug abkühlen, bevor Sie es wieder einschalten.

### Überentladungsschutz

Wenn die Akkukapazität niedrig wird, schaltet sich das Werkzeug automatisch aus. Falls das Produkt trotz Betätigung der Schalter nicht funktioniert, entfernen Sie die Akkus vom Werkzeug, und laden Sie sie auf.

## Anzeigen der Akku-Restkapazität

**Nur für Akkus mit Anzeige**

► **Abb.3:** 1. Anzeigelampen 2. Prüftaste

Drücken Sie die Prüftaste am Akku, um die Akku-Restkapazität anzuzeigen. Die Anzeigelampen leuchten wenige Sekunden lang auf.

| Anzeigelampen |       |          | Restkapazität   |
|---------------|-------|----------|---|
| Erleuchtet    | Aus   | Blinkend |   |
| ■             | □     | ◐        | 75 % bis 100 %  |
| ■ ■ ■         | □     | □        | 50% bis 75%   |
| ■ ■           | □ □   | □        | 25% bis 50%   |
| ■             | □ □ □ | □        | 0% bis 25%  |
| ◐             | □ □ □ | □        | Den Akku aufladen.                                      |
| ■ ■ □ □       | □ □   | □ □      | Möglicherweise liegt eine Funktionsstörung im Akku vor. |
| □ □ ■ ■       | □ □   | □ □      |   |

**HINWEIS:** Abhängig von den Benutzungsbedingungen und der Umgebungstemperatur kann die Anzeige geringfügig von der tatsächlichen Kapazität abweichen.

## Schalterfunktion

**⚠ VORSICHT:** Vergewissern Sie sich vor dem Einsetzen des Akkus in das Werkzeug stets, dass der Ein-Aus-Schalter ordnungsgemäß funktioniert und beim Loslassen in die AUS-Stellung zurückkehrt.

Zum Starten des Schneidbetriebs betätigen Sie den Auslöseschalter fortlaufend. Das Schneidwerkzeug an der beweglichen Halterung überlappt mit dem Schneidwerkzeug an der stationären Halterung und kehrt dann zurück. Falls Sie den Auslöseschalter vor Vollendung des Schnitts loslassen, bleiben die Schneidwerkzeuge stehen.

- ▶ **Abb.4:** 1. Auslöseschalter
- ▶ **Abb.5:** 1. Stationäre Halterung 2. Schneidwerkzeug  
3. Bewegliche Halterung

**ANMERKUNG:** Lassen Sie das Werkzeug nicht unnötig im Leerlauf laufen.

## Autostopp-Funktion

Wenn Sie den Auslöseschalter fortlaufend betätigen, schließen sich die Backen der Schneidwerkzeuge einmal, bevor sie zur voll geöffneten Position zurückkehren und dann stehen bleiben. Lassen Sie den Auslöser los, und betätigen Sie ihn erneut, um die nächste Schnittsequenz zu beginnen.

### Umkehrschalthebel

**⚠️ WARNUNG:** Stellen Sie den Umkehrschalthebel stets auf die Verriegelungsposition, wenn Sie das Werkzeug nicht benutzen.

**⚠️ VORSICHT:** Stellen Sie vor dem Betrieb stets die Position des Umkehrschalthebels sicher.

**ANMERKUNG:** Bewegen Sie nicht den Umkehrschalthebel, wenn der Auslöseschalter betätigt wird. Dies kann eine Beschädigung des Werkzeugs verursachen.

Um den Schneidbetrieb zu starten, stellen Sie den Umkehrschalthebel auf die Schneidposition. Um die Schnittsequenz umzukehren, stellen Sie den Umkehrschalthebel auf die Umkehrposition. Wenn Sie den Auslöseschalter fortlaufend betätigen, öffnen sich die Backen der Schneidwerkzeuge, bevor sie an der vollständig geöffneten Position stehen bleiben. Um den Auslöseschalter zu verriegeln, stellen Sie den Umkehrschalthebel auf die Verriegelungsposition. In dieser Position kann der Auslöseschalter nicht betätigt werden.

- ▶ **Abb.6:** 1. Umkehrschalthebel 2. Schneidposition  
3. Verriegelungsposition 4. Umkehrposition

**ANMERKUNG:** Wenn sich der Umkehrschalthebel in der Umkehrposition befindet, benutzen Sie das Werkzeug nur bei Bedarf. Um eine Beschädigung des Werkzeugs zu verhindern, bleibt das Werkzeug automatisch stehen, wenn es fortlaufend in der Umkehrposition betrieben wird.

**HINWEIS:** Wenn Sie den Auslöseschalter nach dem Schneiden loslassen, während sich die Backen der Schneidwerkzeuge öffnen, und dann den Umkehrschalthebel auf die Umkehrposition stellen, schließen sich die Backen einmal, bevor sie sich öffnen, wenn Sie den Auslöseschalter erneut betätigen.

## LED-Leuchte

**⚠️ VORSICHT:** Blicken Sie nicht direkt in die Lampe oder die Lichtquelle.

Betätigen Sie den Auslöseschalter, um die Lampe einzuschalten. Die Lampe bleibt erleuchtet, solange der Auslöseschalter betätigt wird. Die Lampe erlischt ungefähr 15 Sekunden nach dem Loslassen des Auslöseschalters.

- ▶ **Abb.7:** 1. Lampe (innen)

**HINWEIS:** Wischen Sie Schmutz auf der Lampenlinse mit einem trockenen Tuch ab. Achten Sie sorgfältig darauf, dass Sie die Lampenlinse nicht verkratzen, weil sich sonst die Lichtstärke verringert.

**HINWEIS:** Bei Überhitzung des Werkzeugs blinkt die Lampe. Lassen Sie das Werkzeug in diesem Fall abkühlen.

## Führungsstab

Verwenden Sie den Führungsstab, wenn Sie Gewindestangen von gleicher Länge schneiden wollen. Führen Sie den Führungsstab in das Loch ein, wie in der Abbildung gezeigt.

- ▶ **Abb.8:** 1. Führungsstab 2. Klemmschraube

Richten Sie den Wert Ihrer gewünschten Länge auf dem Führungsstab auf die Schnittlinie aus. Ziehen Sie dann die Klemmschraube an.

- ▶ **Abb.9:** 1. Führungsstab 2. Schnittlinie  
3. Klemmschraube

**⚠️ VORSICHT:** Halten Sie nicht den Führungsstab zum Tragen oder Handhaben des Werkzeugs. Anderenfalls kann das Werkzeug herunterfallen und Personenschäden und/oder Beschädigung des Werkzeugs verursachen.

## Stangenführung

Um präzise Schnitte auszuführen, bringen Sie die Stangenführung je nach Durchmesser der zu schneidenden Gewindestange in Position.

- ▶ **Abb.10:** 1. Stangenführung (Position 1)  
2. Stangenführung (Position 2)

Es gibt zwei Stangenführungspositionen.

| Position | Größe der Gewindestange |
|----------|-------------------------|
| 1        | W3/8, M10               |
| 2        | M8, M6                  |

## Aufhänger

**⚠ VORSICHT:** Hängen Sie das Werkzeug auf keinen Fall an einer windigen Stelle oder an einer potentiell instabilen Fläche auf.

**⚠ VORSICHT:** Benutzen Sie den Aufhänger nicht, wenn er verformt abgenommen oder beschädigt ist.

**⚠ VORSICHT:** Klappen Sie den Aufhänger stets ein, wenn Sie das Werkzeug nicht benutzen.

Der Aufhänger ist praktisch, um das Werkzeug vorübergehend aufzuhängen.

► **Abb.11:** 1. Aufhänger

**⚠ VORSICHT:** Hängen Sie den Aufhänger nicht in das Koppel ein. Anderenfalls kann es zu Personenschäden und/oder Beschädigung des Werkzeugs kommen, falls es herunterfällt.

► **Abb.12**

## Aufbewahrung des Inbusschlüssels

Der Inbusschlüssel kann an der in der Abbildung gezeigten Stelle aufbewahrt werden, damit er nicht verloren geht.

► **Abb.13:** 1. Inbusschlüssel

## Schulterriemen

### Sonderzubehör

Der Schulterriemen ist praktisch zum Tragen des Werkzeugs.

► **Abb.14:** 1. Schulterriemen 2. Riemenende  
3. Schnalle

**⚠ VORSICHT:** Tragen Sie den Schulterriemen immer quer über Ihrem Körper, und stellen Sie die korrekte Länge ein.

**⚠ VORSICHT:** Benutzen Sie den Schulterriemen nicht, wenn er beschädigt ist.

**⚠ VORSICHT:** Halten Sie eine ausreichende Länge zwischen der Schnalle und dem Riemenende ein, um zu verhindern, dass das Riemenende durch die Schnalle rutscht.

## MONTAGE

**⚠ VORSICHT:** Vergewissern Sie sich vor der Ausführung von Arbeiten am Werkzeug stets, dass das Werkzeug ausgeschaltet und der Akku abgenommen ist.

## Montieren der Schneidwerkzeuge

**⚠ VORSICHT:** Montieren Sie die Schneidwerkzeuge immer in der korrekten Richtung und einwandfrei gesichert. Falsche oder lockere Anbringung kann einen Bruch der Schneidwerkzeuge verursachen, was zu Personenschäden durch herausgeschleuderte Bruchstücke führen kann.

**ANMERKUNG:** Entfernen Sie eventuell vorhandene Grate mit einer Feile von den Schneidwerkzeugen.

1. Prüfen Sie, ob die Backen der Schneidwerkzeuge vollständig geöffnet sind. Ist das nicht der Fall, setzen Sie den Akku ein, und betätigen Sie den Auslöseschalter, bis die Backen vollständig geöffnet sind.

**⚠ VORSICHT:** Entfernen Sie unbedingt den Akku, wenn Sie ihn eingesetzt haben.

2. Stellen Sie den Umkehrschalthebel auf die Verriegelungsposition.

► **Abb.15:** 1. Umkehrschalthebel

3. Drehen Sie die Schrauben mit dem mitgelieferten Inbusschlüssel heraus.

**⚠ VORSICHT:** Verwenden Sie nur den mit dem Werkzeug gelieferten Makita-Schraubenschlüssel. Bei Verwendung anderer Schraubenschlüssel besteht die Gefahr von übermäßigem oder unzureichendem Anziehen, was Personenschäden verursacht.

4. Setzen Sie die Schneidwerkzeuge so in die Halterungen ein, dass die beiden Farbmarkierungen sichtbar sind.

► **Abb.16:** 1. Schraube 2. Schneidwerkzeug  
3. Stationäre Halterung 4. Bewegliche Halterung 5. Farbmarkierung  
6. Inbusschlüssel

5. Sichern Sie die Schneidwerkzeuge einwandfrei mit den Schrauben.

Die Schneidwerkzeuge sind korrekt installiert, wenn die darauf angebrachten Pfeile auf einander zeigen. Die Abmessungen der Schneidwerkzeuge sind gleich, aber ihre Dicke sieht bei Draufsicht unterschiedlich aus.

► **Abb.17:** 1. Pfeil 2. Schneidwerkzeug 3. Dünne Seite 4. Dicke Seite

# BETRIEB

**⚠ VORSICHT:** Vergewissern Sie sich, dass Schneidwerkzeuge der korrekten Größe am Werkzeug montiert sind. Überprüfen Sie vor dem Schneiden die auf den Schneidwerkzeugen aufgedruckte Schnittleistung.

**⚠ VORSICHT:** Bevor Sie den Auslöseschalter betätigen, setzen Sie die Gewindestange so ein, dass ihr Gewindegänge mit denen der Schneidwerkzeuge übereinstimmen. Falsche Ausrichtung der Gewindegänge kann zu einem Bruch der Schneidwerkzeuge führen und Personenschäden durch herausgeschleuderte Bruchstücke verursachen.

**⚠ VORSICHT:** Ersetzen Sie die Schneidwerkzeuge, falls die Schneidkanten abgesplittert oder verformt sind.

Platzieren Sie die Gewindestange beim Schneiden senkrecht zu der Schnittlinie, wie in der Abbildung gezeigt.

► **Abb.18:** 1. Schnittlinie

**HINWEIS:** Wenn Sie eine Gewindestange aus duktilem Metall, wie z. B. Edelstahl, schneiden, können Grate am Schnittende erzeugt werden. Entfernen Sie die Grate in diesem Fall mit einer Feile.

► **Abb.19:** 1. Gewindestange 2. Grat

## Schneiden von gesicherten Gewindestangen

Wenn Sie eine Gewindestange schneiden, die an der Gebäudestruktur, wie z. B. Decke, Wand, Boden usw., gesichert ist, wenden Sie das nachstehende Verfahren an:

► **Abb.20:** 1. Gewindestange 2. Schneidwerkzeug an der stationären Halterung

1. Bringen Sie das Werkzeug in eine Position, dass die Gewindestange zwischen den Schneidwerkzeugen positioniert ist.
2. Während die Gewindestange die Stangenführung berührt, passen Sie das Gewinde der Stange an dasjenige des Schneidwerkzeugs an der stationären Halterung an.
3. Halten Sie den Auslöseschalter gedrückt, bis der Schneidvorgang beendet ist und die Backen der Schneidwerkzeuge die vollständig geöffnete Position erreichen.

**ANMERKUNG:** Reinigen Sie die Stirnseite des Werkzeugs und die Spitze des Führungsstabs vor der Arbeit. Anderenfalls können sie die Kontaktfläche verschmutzen.

## Schneiden von losen Gewindestangen

Wenn Sie eine lose Gewindestange auf dem Boden oder einer Werkbank schneiden, wenden Sie das nachstehende Verfahren an:

► **Abb.21:** 1. Gewindestange 2. Schneidwerkzeug an der stationären Halterung

1. Positionieren Sie eine Gewindestange zwischen die Schneidwerkzeuge.
2. Während die Gewindestange die Stangenführung berührt, passen Sie das Gewinde der Stange an dasjenige des Schneidwerkzeugs an der stationären Halterung an.
3. Halten Sie den Auslöseschalter gedrückt, bis der Schneidvorgang beendet ist und die Backen der Schneidwerkzeuge die vollständig geöffnete Position erreichen.

Wenn Sie eine lange Gewindestange schneiden, die schwer von Hand zu halten ist, platzieren Sie das Werkzeug, wie in der Abbildung dargestellt. Das Werkzeug kann flach platziert werden. Die Abdeckung kann auch zum Abstützen des Endes der Gewindestange verwendet werden.

► **Abb.22:** 1. Abdeckung (Position 1)  
2. Stangenführung (Position 1)  
3. Abdeckung (Position 2)  
4. Stangenführung (Position 2)

Die Abdeckung weist Markierungen zur Anzeige ihrer Position auf. Bringen Sie die Abdeckung je nach der Größe der Gewindestange in die Position, die in der Tabelle sowie auf der Stangenführung angegeben ist.

| Position | Größe der Gewindestange |
|----------|-------------------------|
| 1        | W3/8, M10               |
| 2        | M8, M6                  |

## Vorzeitiges Abbrechen des Schnitts

**⚠ VORSICHT:** Versuchen Sie niemals, das Werkzeug gewaltsam von der Gewindestange abzuziehen. Dadurch kann ein unerwarteter Start verursacht werden, der Personenschäden oder Beschädigung der Schneidwerkzeuge und des Werkzeugs verursachen kann.

Wenn Sie den Schnitt vorzeitig abbrechen, stellen Sie den Umkehrschalthebel auf die Umkehrposition, und betätigen Sie den Auslöseschalter, bis die Gewindestange vollständig von den Schneidwerkzeugen gelöst ist.



## WARTUNG

**⚠ VORSICHT:** Vergewissern Sie sich vor der Durchführung von Inspektions- oder Wartungsarbeiten stets, dass das Werkzeug ausgeschaltet und der Akku abgenommen ist.

**ANMERKUNG:** Verwenden Sie auf keinen Fall Benzin, Waschbenzin, Verdünnern, Alkohol oder dergleichen. Solche Mittel können Verfärbung, Verformung oder Rissbildung verursachen.

## Austauschen der Schneidwerkzeuge

**ANMERKUNG:** Tauschen Sie beide Schneidwerkzeuge gleichzeitig aus. Wird nur das Schneidwerkzeug auf einer Seite ausgetauscht, können Grate an der Gewindestange entstehen.

Tauschen Sie die Schneidwerkzeuge aus, wenn sie abgesplittert oder verformt sind, oder wenn die Schneidleistung nachlässt. Befolgen Sie zum Austauschen die Anweisungen unter „Montieren der Schneidwerkzeuge“.

► **Abb.23:** 1. Absplitterung 2. Verformung

Ein Schneidwerkzeug hat zwei Schneidkanten sowie eine dicke und eine dünne Seite. Vertauschen Sie die Montagepositionen der Schneidwerkzeuge, wenn Sie die anderen Seiten der Schneidkanten nicht benutzt haben.

► **Abb.24:** 1. Schneidkante 2. Dünne Seite 3. Dicke Seite

## Tragen/Lagern des Werkzeugs

**⚠ VORSICHT:** Wenn das Werkzeug nicht benutzt wird, bringen Sie stets die mitgelieferte Abdeckung am Schneidteil an.

Bringen Sie die Abdeckung zum Tragen des Werkzeugs an.

Wenn Sie das Werkzeug lagern, entfernen Sie den Akku und den Führungsstab vom Werkzeug. Entfernen Sie Staub von den Schneidwerkzeugen und den beweglichen Teilen. Bringen Sie anschließend die Abdeckung an.

► **Abb.25:** 1. Abdeckung

Um die SICHERHEIT und ZUVERLÄSSIGKEIT dieses Produkts zu gewährleisten, sollten Reparaturen und andere Wartungs- oder Einstellarbeiten nur von Makita-Vertragswerkstätten oder Makita-Kundendienstzentren unter ausschließlicher Verwendung von Makita-Originalersatzteilen ausgeführt werden.

## SONDERZUBEHÖR

**⚠ VORSICHT:** Die folgenden Zubehörteile oder Vorrichtungen werden für den Einsatz mit dem in dieser Anleitung beschriebenen Makita-Werkzeug empfohlen. Die Verwendung anderer Zubehörteile oder Vorrichtungen kann eine Verletzungsgefahr darstellen. Verwenden Sie Zubehörteile oder Vorrichtungen nur für ihren vorgesehenen Zweck.

Wenn Sie weitere Einzelheiten bezüglich dieser Zubehörteile benötigen, wenden Sie sich bitte an Ihre Makita-Kundendienststelle.

- Schneidwerkzeuge
- Schulterriemen
- Original-Makita-Akku und -Ladegerät

**HINWEIS:** Manche Teile in der Liste können als Standardzubehör im Werkzeugsatz enthalten sein. Sie können von Land zu Land unterschiedlich sein.





**Makita Europe N.V.** Jan-Baptist Vinkstraat 2,  
3070 Kortenberg, Belgium

**Makita Corporation** 3-11-8, Sumiyoshi-cho,  
Anjo, Aichi 446-8502 Japan

[www.makita.com](http://www.makita.com)

|   |
|---|
| 885631-977<br>EN, PL, HU, SK,<br>CS, UK, RO, DE<br>20171121 |
|---|