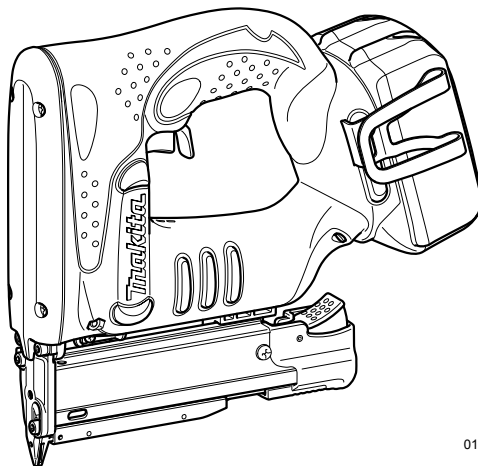




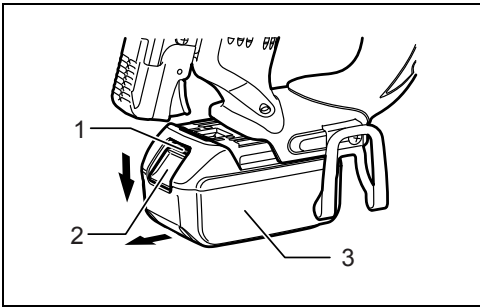
GB	Cordless Pin Nailer	Instruction manual
F	Cloueur Sans Fil	Manuel d'instructions
D	Akku-Pintacker	Betriebsanleitung
I	Chiodatrice a batteria	Istruzioni per l'uso
NL	Accunagelpistool	Gebruiksaanwijzing
E	Clavadora Inalámbrica	Manual de instrucciones
P	Pinador a Bateria	Manual de instruções
DK	Batteridrevet hæftepistol	Brugsanvisning
GR	Ασύρματο Καρφωτικό Πιστόλι	Οδηγίες χρήσης

DPT350
DPT351



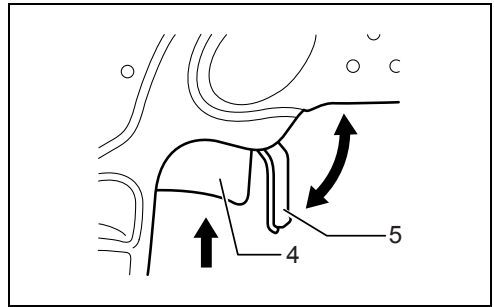
014776





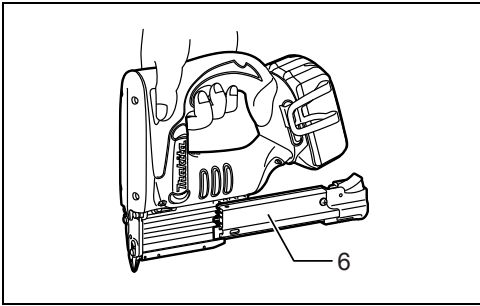
1

011981



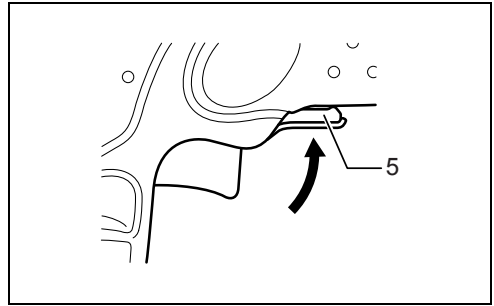
2

007726



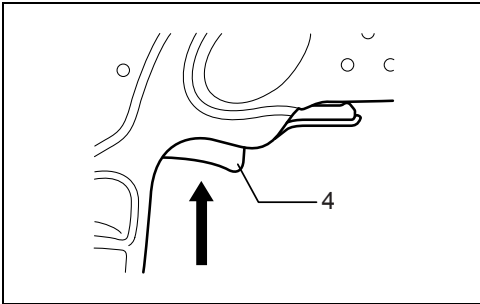
3

014777



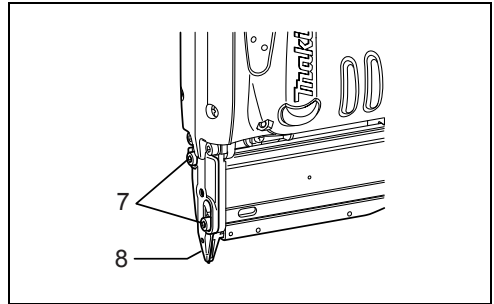
4

007728



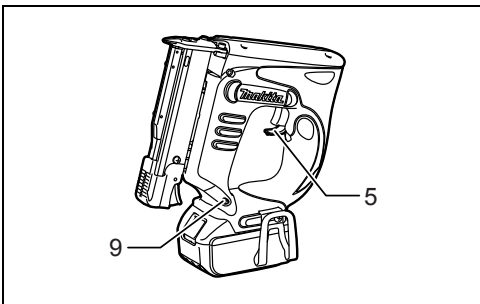
5

007729



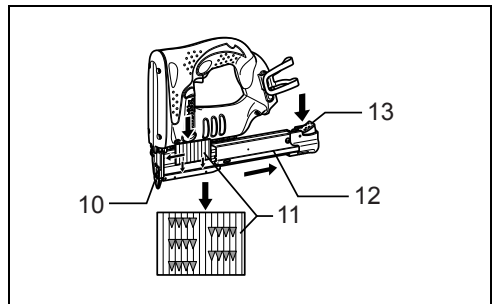
6

007734



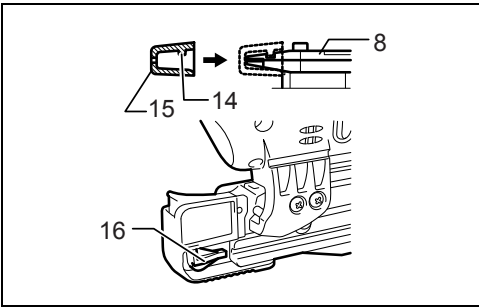
7

014778



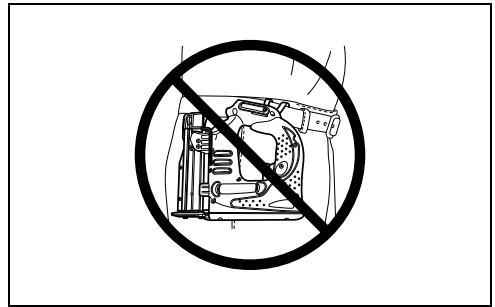
8

014774



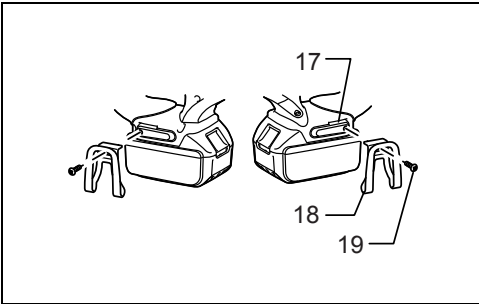
9

007736



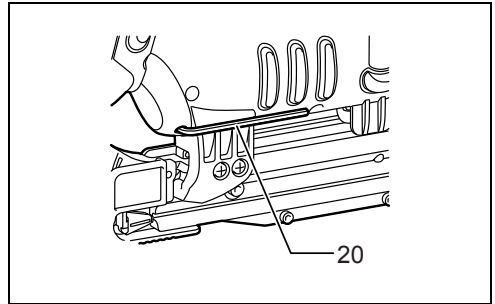
10

014775



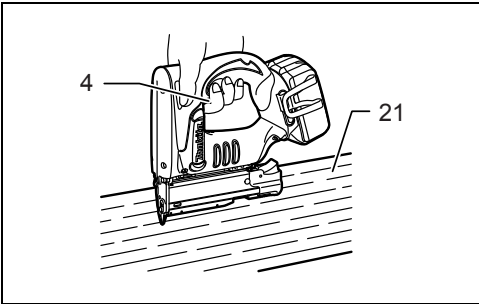
11

011940



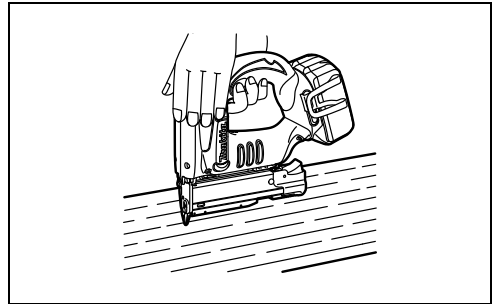
12

014779



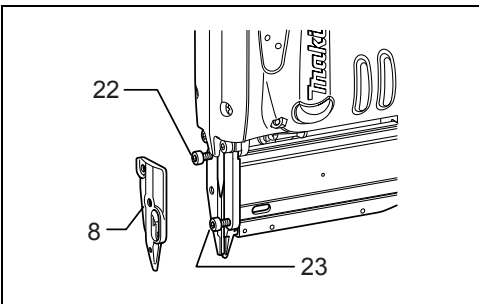
13

014780



14

014781



15

007735

ENGLISH (Original instructions)

Explanation of general view

- | | | |
|-----------------------|------------------|-----------------------------|
| 1. Red indicator | 9. Lamp | 17. Groove |
| 2. Button | 10. Driver guide | 18. Hook |
| 3. Battery cartridge | 11. Pin nails | 19. Screw |
| 4. Trigger | 12. Magazine | 20. Hex wrench |
| 5. Lever | 13. Lock lever | 21. Material to be fastened |
| 6. Sliding door | 14. Protrusion | 22. Bolt (B) |
| 7. Bolts | 15. Nose adapter | 23. Bolt (A) |
| 8. Driver guide cover | 16. Holder | |

SPECIFICATIONS

Model	DPT350		DPT351	
Pin nail size	0.6 x 18, 25, 30, 35 mm		0.6 x 18, 25, 30, 35 mm	
Pin nail magazine capacity	130 pcs		130 pcs	
Dimensions (L x W x H)	227 mm x 79 mm x 245 mm		227 mm x 79 mm x 249 mm	
Battery cartridge	BL1415N	BL1430, BL1440, BL1450	BL1815, BL1815N, BL1820	BL1830, BL1840, BL1850
Net weight	1.8 kg	2.0 kg	1.9 kg	2.1 kg
Rated voltage	D.C. 14.4 V		D.C. 18 V	

- Due to our continuing program of research and development, the specifications herein are subject to change without notice.
- Specifications and battery cartridge may differ from country to country.
- Weight, with battery cartridge, according to EPTA-Procedure 01/2003

Intended use

ENE068-1

The tool is intended for pressing pin nails into construction materials such as timbers.

General Power Tool Safety Warnings

GEA010-1

⚠ WARNING Read all safety warnings and all instructions. Failure to follow the warnings and instructions may result in electric shock, fire and/or serious injury.

Save all warnings and instructions for future reference.

CORDLESS NAILER SAFETY WARNINGS

GEB090-1

1. **Always assume that the tool contains fasteners.** Careless handling of the nailer can result in unexpected firing of fasteners and personal injury.
2. **Do not point the tool towards yourself or anyone nearby.** Unexpected triggering will discharge the fastener causing an injury.
3. **Do not actuate the tool unless the tool is placed firmly against the workpiece.** If the tool is not in contact with the workpiece, the fastener may be deflected away from your target.
4. **Disconnect the tool from the power source when the fastener jams in the tool.** While removing a jammed fastener, the nailer may be accidentally activated if it is plugged in.
5. **Use caution while removing a jammed fastener.** The mechanism may be under compression and the fastener may be forcefully discharged while attempting to free a jammed condition.
6. **Do not use this nailer for fastening electrical cables.** It is not designed for electric cable installation and may damage the insulation of electric cables thereby causing electric shock or fire hazards.
7. **Always wear safety goggles or safety glasses with side shield, and a full face shield when needed.**
8. **Keep hands and feet away from the ejection port area.**
9. **Always remove the battery cartridge before loading the fasteners, adjustment, inspection, maintenance or after operation is over.**
10. **Make sure no one is nearby before operation.** Never attempt to drive fasteners from both the inside and outside of wall at the same time. Fasteners may rip through and/or fly off, presenting a grave danger.
11. **Watch your footing and maintain your balance with the tool. Make sure there is no one below when working in high locations.**
12. **Check walls, ceilings, floors, roofing and the like carefully to avoid possible electrical shock, gas leakage, explosions, etc. caused by stapling into live wires, conduits or gas pipes.**
13. **Use only fasteners specified in this manual. The use of any other fasteners may cause malfunction of the tool.**
14. **Do not tamper with the tool or attempt to use it for other than driving fasteners.**
15. **Do not operate the tool without fasteners. It shortens the service life of the tool.**

16. Stop driving operations immediately if you notice something wrong or out of the ordinary with the tool.
17. Never drive fastener into any materials which may allow the fastener to puncture and fly through as a projectile.
18. Never actuate the switch trigger and safety lever at the same time until you are prepared to fastener workpieces. Allow the workpiece to depress the safety lever. Never defeat its purpose by securing the safety lever back or by depressing it by hand.
19. Never tamper with the safety lever. Check the safety lever frequently for proper operations.

SAVE THESE INSTRUCTIONS.

WARNING:

DO NOT let comfort or familiarity with product (gained from repeated use) replace strict adherence to safety rules for the subject product. MISUSE or failure to follow the safety rules stated in this instruction manual may cause serious personal injury.

IMPORTANT SAFETY INSTRUCTIONS

ENC007-8

FOR BATTERY CARTRIDGE

1. Before using battery cartridge, read all instructions and cautionary markings on (1) battery charger, (2) battery, and (3) product using battery.
2. Do not disassemble battery cartridge.
3. If operating time has become excessively shorter, stop operating immediately. It may result in a risk of overheating, possible burns and even an explosion.
4. If electrolyte gets into your eyes, rinse them out with clear water and seek medical attention right away. It may result in loss of your eyesight.
5. Do not short the battery cartridge:
 - (1) Do not touch the terminals with any conductive material.
 - (2) Avoid storing battery cartridge in a container with other metal objects such as nails, coins, etc.
 - (3) Do not expose battery cartridge to water or rain.

A battery short can cause a large current flow, overheating, possible burns and even a breakdown.
6. Do not store the tool and battery cartridge in locations where the temperature may reach or exceed 50°C (122°F).
7. Do not incinerate the battery cartridge even if it is severely damaged or is completely worn out. The battery cartridge can explode in a fire.
8. Be careful not to drop or strike battery.
9. Do not use a damaged battery.
10. Follow your local regulations relating to disposal of battery.

SAVE THESE INSTRUCTIONS.

Tips for maintaining maximum battery life

1. Charge the battery cartridge before completely discharged. Always stop tool operation and charge the battery cartridge when you notice less tool power.
2. Never recharge a fully charged battery cartridge. Overcharging shortens the battery service life.
3. Charge the battery cartridge with room temperature at 10°C - 40°C (50°F - 104°F). Let a hot battery cartridge cool down before charging it.
4. Charge the battery cartridge once in every six months if you do not use it for a long period of time.

FUNCTIONAL DESCRIPTION

CAUTION:

- Always be sure that the tool is switched off and the battery cartridge is removed before adjusting or checking function on the tool.

Installing or removing battery cartridge (Fig. 1)

- Always switch off the tool before installing or removing of the battery cartridge.
- To remove the battery cartridge, slide it from the tool while sliding the button on the front of the cartridge.
- To install the battery cartridge, align the tongue on the battery cartridge with the groove in the housing and slip it into place. Always insert it all the way until it locks in place with a little click. If you can see the red indicator on the upper side of the button, it is not locked completely. Install it fully until the red indicator cannot be seen. If not, it may accidentally fall out of the tool, causing injury to you or someone around you.
- Do not use force when installing the battery cartridge. If the cartridge does not slide in easily, it is not being inserted correctly.

Safety system

WARNING:

- Make sure all safety systems are in working order before operation. Failure to do so may cause personal injuries. (Fig. 2)

Test safety systems for possible faulty operation before pin-nailing as follows.

1. Make sure that the tool is not loaded with pin nails before the test.
2. Pull the sliding door of the magazine toward yourself. (Fig. 3)
3. The tool accidentally operates if only the trigger is pulled although the lever is not pulled.
4. The tool does not operate when the trigger is pulled with the lever pulled.

In case of 3 and 4 above, the safety systems are faulty.

Trigger and lever

CAUTION:

- Before inserting the battery cartridge into the tool, always check to see that the switch trigger actuates

properly and returns to the "OFF" position when released. (Fig. 4)

The tool is provided with lever as a safety system in addition to the usual trigger. (Fig. 5)

To fire pin-nails, first pull the lever and then pull the trigger.

Adjusting the depth of pin-nailing

⚠ WARNING:

- Always make sure that your fingers are not placed on the trigger or the lever and the battery cartridge is removed before loading the pin nailer. (Fig. 6)

Depth of pin-nailing can be adjusted on this pin nailer.

Turn two bolts a quarter turn using the hex wrench provided with the tool and the driver guide cover will slide up or down. Depth can be adjusted 1.5 mm to the maximum. At desired depth, secure it with two bolts firmly.

Lighting up the lamps

⚠ CAUTION:

- Do not look in the light or see the source of light directly. (Fig. 7)

To turn on the lamp, pull the lever. Release the lever to turn it off.

NOTE:

- Use a dry cloth to wipe the dirt off the lens of lamp. Be careful not to scratch the lens of lamp, or it may lower the illumination.
- Even if the lamp lights up when the battery power residual gets small, pin nailer may not fire pin nails. In this case, charge the battery cartridge.

Anti-dry firing device

⚠ CAUTION:

- Always make sure that your fingers are not placed on the trigger or the lever and the battery cartridge is removed before loading the pin nailer.

When the number of remaining pin nails in the magazine are 0 - 3 pcs., the trigger can no longer be pulled. At this time, insert a new strip of pin nails in the magazine and the trigger can be pulled again.

NOTE:

- When firing a different length of pin nails shortly after the anti-dry firing device has actuated, insert a new strip of pin nails into the magazine and fire away all the prior pin nails that have remained on junk material.

ASSEMBLY

⚠ CAUTION:

- Always make sure that your fingers are not placed on the trigger or the lever and the battery cartridge is removed before carrying out any work on the pin nailer.

Loading the pin nailer

⚠ CAUTION:

- Always make sure that your fingers are not placed on the trigger or the lever and the battery cartridge is removed before loading the pin nailer.
- Do not abruptly slide the magazine of the pin nailer loaded with pin nails. Accidentally dropping pin nails

especially when working in high places may cause personal injuries.

- Load pin nails in the correct direction. Loading in wrong direction may cause premature wear and tear of the driver and damage of the other parts. (Fig. 8)

Remove the battery cartridge.

Press the locking lever and slide the magazine.

Place pin nails against the magazine and insert into the slit all the way. (Be careful to place pin nails in the right direction.)

Keeping pin nails in this position, insert these nails all the way into the driver guide.

Return the magazine to the original position and lock it with the locking lever.

⚠ CAUTION:

- Do not use deformed connected pin nails. Use pin nails specified in this manual. Using pin nails other than those specified may cause pin nail jamming and breakage of the pin nailer.

Unloading pin nailer

⚠ CAUTION:

- When removing pin nails, make sure that your fingers are not placed on the trigger or the lever and the battery cartridge is removed from the pin nailer. Misfiring may cause personal injuries and property damage.

Remove the battery cartridge.

Press the locking lever and slide the magazine.

Take out pin nails from the magazine slit.

Nose adapter

⚠ CAUTION:

- Always make sure that your fingers are not placed on the trigger or the lever and the battery cartridge is removed before installing the nose adapter. (Fig. 9)

When firing pin nails on the material to be fastened with easily-marred surfaces, use the nose adapter. To install the nose adapter, place it over the driver guide cover so that the protrusion inside the nose adapter fits to the slit in the driver guide cover.

When not in use, store the nose adapter in the holder at the back end of the magazine to keep it from being lost.

Hook

⚠ CAUTION:

- Always make sure that your fingers are not placed on the trigger or the lever and the battery cartridge is removed before using the hook. (Fig. 10)

⚠ CAUTION:

- Do not hang the hook from the waist belt. Dropping the pin nailer, which is caused by the hook accidentally coming out of place, may cause misfiring and personal injuries. (Fig. 11)

The hook is convenient for temporarily hanging the tool. This can be installed on either side of the tool.

To install the hook, insert it into a groove in the tool housing on either side and then secure it with a screw.

To remove, loosen the screw and then take it out.

Hex wrench storage (Fig. 12)

When not in use, store the hex wrench as shown in the figure to keep it from being lost.

OPERATION

Driving pin nails

WARNING:

- Before pulling the trigger, always make sure that the opening that pin-nails are fired contacts material to be fastened. Just pulling the trigger fires pin nails. Misfiring may cause personal injuries. (Fig. 13)

Place flat the opening of the tool that pin-nails are fired on the material to be fastened and hold the tool firmly against the material. Then pull the lever and then pull the trigger fully to drive the pin nail. The grip is shaped so that the tool head can be held down securely with index finger and thumb. After driving a pin-nail, be sure to release the trigger fully. (Fig. 14)

When the head of driven pin-nail remains above the surface of the material, drive the pin-nail while holding the pin nailer head firmly.

NOTE:

- When the trigger is pulled after a quick trigger action, the nailer may do nothing but operates momentarily and may not fire pin nails. This is not a trouble. At this time, release the trigger once, pull it again and the pin nails can be fired.
- Using the pin nailer continuously with the head of fired pin nails remaining above the surface of material to be fastened may cause damage to the driver of the pin nailer and nailer jamming etc.

Removing jammed pin nails

WARNING:

- Always make sure that the lever is released and the battery cartridge is removed before removing jammed nails. (Fig. 15)

Remove the battery cartridge from the pin nailer.

Take out pin nails that remain inside the magazine.

Loosen bolt (A) and bolt (B) by turning them approximately two turns using the hex wrench provided with the pin nailer.

Remove driver guide cover by sliding it.

Remove stuck pin nails, debris, adhesives and woodchips etc. from the passage for pin nails.

Check the driver guide cover for stuck pin nails or other foreign matters and then secure it with these two bolts.

MAINTENANCE

CAUTION:

- Always be sure that the tool is switched off and the battery cartridge is removed before attempting to perform inspection or maintenance.
- Never use gasoline, benzine, thinner, alcohol or the like. Discoloration, deformation or cracks may result.
- To maintain product SAFETY and RELIABILITY, repairs, any other maintenance or adjustment should be performed by Makita Authorized Service Centers, always using Makita replacement parts.

OPTIONAL ACCESSORIES

CAUTION:

- These accessories or attachments are recommended for use with your Makita tool specified in this manual. The use of any other accessories or attachments might present a risk of injury to persons. Only use accessory or attachment for its stated purpose.

If you need any assistance for more details regarding these accessories, ask your local Makita Service Center.

- Pin nails
- Various type of Makita genuine batteries and chargers
- Safety goggles

NOTE:

- Some items in the list may be included in the tool package as standard accessories. They may differ from country to country.

Noise

ENG905-1

The typical A-weighted noise level determined according to EN60745:

Model DPT350

Sound pressure level (L_{pA}): 75 dB (A)

Uncertainty (K): 3 dB (A)

The noise level under working may exceed 80 dB (A).

Model DPT351

Sound pressure level (L_{pA}): 74 dB (A)

Uncertainty (K): 3 dB (A)

The noise level under working may exceed 80 dB (A).

Wear ear protection.

Vibration

ENG904-2

The vibration emission value determined according to EN60745:

Vibration emission (a_{h1}): 2.5 m/s² or less

Uncertainty (K): 1.5 m/s²

ENG901-1

- The declared vibration emission value has been measured in accordance with the standard test method and may be used for comparing one tool with another.
- The declared vibration emission value may also be used in a preliminary assessment of exposure.

WARNING:

- The vibration emission during actual use of the power tool can differ from the declared emission value depending on the ways in which the tool is used.
- Be sure to identify safety measures to protect the operator that are based on an estimation of exposure in the actual conditions of use (taking account of all parts of the operating cycle such as the times when the tool is switched off and when it is running idle in addition to the trigger time).

For European countries only

ENH101-15

EC Declaration of Conformity

We Makita Corporation as the responsible manufacturer declare that the following Makita machine(s):

Designation of Machine:

Cordless Pin Nailer

Model No./ Type: DPT350, DPT351

are of series production and

Conforms to the following European Directives:

2006/42/EC

And are manufactured in accordance with the following standards or standardised documents:

EN60745

The technical documentation is kept by our authorised representative in Europe who is:

Makita International Europe Ltd.
Michigan Drive, Tongwell,
Milton Keynes, Bucks MK15 8JD, England

22. 12. 2010



Tomoyasu Kato
Director
Makita Corporation
3-11-8, Sumiyoshi-cho,
Anjo, Aichi, 446-8502, JAPAN

FRANÇAIS (Instructions d'origine)

Descriptif

- | | | |
|-------------------------------|------------------------|----------------------|
| 1. Voyant rouge | 9. Lampe | 17. Rainure |
| 2. Bouton | 10. Guide-embout | 18. Crochet |
| 3. Batterie | 11. Clous | 19. Vis |
| 4. Gâchette | 12. Magasin | 20. Clé hexagonale |
| 5. Levier | 13. Levier de sécurité | 21. Matériau à fixer |
| 6. Porte coulissante | 14. Partie saillante | 22. Boulon (B) |
| 7. Boulons | 15. Adaptateur de bec | 23. Boulon (A) |
| 8. Protection du guide-embout | 16. Porte-outil | |

SPÉCIFICATIONS

Modèle	DPT350		DPT351	
Taille des clous	0,6 x 18, 25, 30, 35 mm		0,6 x 18, 25, 30, 35 mm	
Contenance du magasin de clous	130 clous		130 clous	
Dimensions (L x P x H)	227 mm x 79 mm x 245 mm		227 mm x 79 mm x 249 mm	
Batterie	BL1415N	BL1430, BL1440, BL1450	BL1815, BL1815N, BL1820	BL1830, BL1840, BL1850
Poids net	1,8 kg	2,0 kg	1,9 kg	2,1 kg
Tension nominale	C.C. 14,4 V		C.C. 18 V	

- Étant donné l'évolution constante de notre programme de recherche et de développement, les spécifications contenues dans ce manuel sont sujettes à des modifications sans préavis.
- Les spécifications et la batterie peuvent varier d'un pays à l'autre.
- Poids, batterie incluse, selon la procédure EPTA 01/2003

Utilisations

ENE068-1

L'outil est conçu pour l'insertion de clous dans les matériaux de construction tels que le bois.

Consignes de sécurité générales des outils électriques

GEA010-1

⚠ AVERTISSEMENT Veuillez lire toutes les consignes de sécurité et les instructions. Il y a un risque de choc électrique, d'incendie et/ou de blessure grave si les consignes et les instructions ne sont pas toutes respectées.

Conservez toutes les consignes et instructions pour référence ultérieure.

AVERTISSEMENTS DE SÉCURITÉ CONCERNANT LE CLOUEUR SANS FIL

GEB090-1

1. **Gardez toujours à l'esprit que l'outil contient des clous.** En cas de mauvaise utilisation du cloueur, les clous risquent de s'éjecter de manière inopinée et de causer des blessures graves.
2. **Ne dirigez jamais l'outil vers vous ou vers une autre personne qui se trouve à proximité.** Un déclenchement inattendu risque de décharger le cloueur et de causer des blessures.
3. **N'activez pas l'outil avant qu'il ne soit fermement placé sur la pièce à travailler.** Si l'outil n'est pas en contact avec la pièce à travailler, le cloueur risque de dévier de sa trajectoire.
4. **Lorsque le clou se bloque dans l'outil, débranchez ce dernier de la source d'alimentation.** Si le cloueur est branché, il risque de se déclencher accidentellement lorsque vous enlevez le clou bloqué.
5. **Soyez prudent lors du retrait d'un clou bloqué.** Le mécanisme risque d'être sous compression et le clou peut être libéré violemment lorsque vous débloquez l'outil.
6. **N'utilisez pas ce cloueur pour fixer des câbles électriques.** Il n'est pas conçu pour l'installation de câbles électriques et risque d'endommager leur isolation, et par conséquent, d'augmenter les risques de choc électrique ou d'incendie.
7. **Portez toujours un masque de protection ou des lunettes de sécurité avec des écrans latéraux, ainsi qu'une visière de protection intégrale si nécessaire.**
8. **Gardez les mains et les pieds à l'écart de la zone de la sortie d'éjection.**
9. **Retirez toujours la cartouche de batterie avant d'introduire les clous, de procéder au réglage, à l'inspection ou à l'entretien de l'outil ou bien après l'avoir utilisé.**
10. **Avant d'utiliser l'outil, assurez-vous que personne ne se trouve à proximité. Ne tentez jamais d'enfoncer des clous en même temps depuis l'intérieur et l'extérieur d'un mur. Cela est très dangereux, car les clous risquent alors de défoncer la pièce et/ou d'être projetés.**
11. **Regardez où vous posez les pieds et assurez-vous d'un bon équilibre pendant l'utilisation de l'outil. Si vous travaillez en hauteur, assurez-vous que personne ne se trouve dessous.**
12. **Pour éviter tout risque de choc électrique, de fuite de gaz, d'explosion, etc., provoqué par le contact**

avec des fils dénudés, des conduites ou des tuyaux de gaz, vérifiez les murs, le plafond, le plancher, le toit, etc.

13. N'utilisez que les clous spécifiés dans ce manuel. L'outil risque de mal fonctionner si vous utilisez tout autre type de clou.
14. N'altérez pas l'outil ou ne tentez pas de l'utiliser pour d'autres applications que l'insertion de clous.
15. N'utilisez pas l'outil sans y insérer des clous. Vous réduiriez sa durée de service.
16. Cessez immédiatement de vous en servir si vous notez une anomalie ou un fonctionnement inhabituel de l'outil.
17. Ne clouez jamais dans des matériaux susceptibles d'être percés par les clous ou de projeter ceux-ci.
18. N'activez jamais la gâchette et le levier de sécurité en même temps avant d'être prêt à enfoncer les clous sur les pièces à travailler. Laissez la pièce à travailler relâcher le levier de sécurité. Ne modifiez jamais son rôle en fixant le levier de sécurité ou en l'enfonçant avec la main.
19. Ne manipulez jamais le levier de sécurité. Vérifiez régulièrement son bon fonctionnement.

CONSERVEZ CES INSTRUCTIONS.

⚠ AVERTISSEMENT :

NE vous laissez PAS tromper (au fil d'une utilisation répétée) par un sentiment d'aisance et de familiarité avec le produit, en négligeant le respect rigoureux des consignes de sécurité qui accompagnent l'outil. Une UTILISATION INCORRECTE de l'outil ou un non-respect des consignes de sécurité indiquées dans ce manuel d'instructions peuvent causer des blessures graves.

CONSIGNES DE SÉCURITÉ IMPORTANTES

ENC007-8

POUR LA BATTERIE

1. Avant d'utiliser la batterie, veuillez lire toutes les instructions et tous les avertissements inscrits sur (1) le chargeur, (2) la batterie et (3) l'appareil alimenté par la batterie.
2. Ne démontez pas la batterie.
3. Cessez immédiatement d'utiliser l'outil si le temps de fonctionnement devient excessivement court. Il y a risque de surchauffe, de brûlures, voire d'explosion.
4. Si l'électrolyte pénètre dans vos yeux, rincez-les à l'eau claire et consultez immédiatement un médecin. Il y a risque de perte de la vue.
5. Évitez de court-circuiter la batterie :
 - (1) Ne touchez les bornes avec aucun matériau conducteur.
 - (2) Évitez de ranger la batterie dans un contenant où se trouvent d'autres objets métalliques tels que des clous, pièces de monnaie, etc.
 - (3) N'exposez pas la batterie à l'eau ou à la pluie.

Un court-circuit de la batterie risque de provoquer un fort courant, une surchauffe, parfois des brûlures et même une panne.

6. Ne rangez pas l'outil ou la batterie dans des endroits où la température risque d'atteindre ou de dépasser 50 °C (122 °F).
7. Ne jetez pas la batterie au feu même si elle est sérieusement endommagée ou complètement épuisée. La batterie peut exploser au contact du feu.
8. Veillez à ne pas laisser tomber ou heurter la batterie.
9. N'utilisez pas de batterie endommagée.
10. Respectez les réglementations locales relatives à la mise au rebut des batteries.

CONSERVEZ CES INSTRUCTIONS.

Conseils pour assurer la durée de vie optimale de la batterie

1. Rechargez la batterie avant qu'elle ne soit complètement épuisée. Arrêtez toujours l'outil et rechargez la batterie quand vous constatez que la puissance de l'outil diminue.
2. Ne rechargez jamais une batterie complètement chargée. La surcharge réduit la durée de service de la batterie.
3. Chargez la batterie alors que la température de la pièce se trouve entre 10 °C et 40 °C (50 °F et 104 °F). Si une batterie est chaude, laissez-la refroidir avant de la charger.
4. Si vous n'utilisez pas l'outil pendant une période prolongée, rechargez la batterie tous les six mois.

DESCRIPTION DU FONCTIONNEMENT

⚠ ATTENTION :

- Assurez-vous toujours que l'outil est hors tension et que sa batterie est retirée avant de régler l'outil ou de vérifier son fonctionnement.

Installation et retrait de la batterie (Fig. 1)

- Éteignez toujours l'outil avant d'installer ou de déposer la batterie.
- Pour retirer la batterie, faites glisser le bouton à l'avant de la batterie et sortez la batterie.
- Pour installer la batterie, alignez sa languette sur la rainure qui se trouve à l'intérieur du carter, puis glissez la batterie pour la mettre en place. Insérez-la toujours bien à fond, jusqu'à ce qu'elle se verrouille en émettant un léger clic. Si vous pouvez voir le voyant rouge sur la face supérieure du bouton, la batterie n'est pas parfaitement verrouillée. Installez-la à fond, jusqu'à ce que le voyant rouge ne soit plus visible. Sinon, elle risque de tomber accidentellement de l'outil, en vous blessant ou en blessant une personne située près de vous.

- N'appliquez pas une force excessive lors de l'installation de la batterie. Si la batterie ne glisse pas aisément, c'est qu'elle n'est pas insérée correctement.

Dispositif de sécurité

⚠ AVERTISSEMENT :

- Assurez-vous que tous les dispositifs de sécurité sont en état de fonctionner avant d'utiliser l'outil. Autrement il y a risque de blessures. (Fig. 2)

Avant le clouage, vérifiez l'absence de tout vice de fonctionnement du dispositif de sécurité en procédant comme suit :

1. Avant de procéder à la vérification, assurez-vous que l'outil ne contient pas de clous.
2. Tirez vers vous la porte coulissante du magasin. (Fig. 3)
3. L'outil peut fonctionner accidentellement si la gâchette est enfoncée alors que le levier n'est pas tiré.
4. L'outil ne fonctionne pas quand la gâchette est enfoncée et que le levier est tiré.

Dans les cas 3 et 4 ci-dessus, les dispositifs de sécurité sont défaillants.

Gâchette et levier

⚠ ATTENTION :

- Avant d'insérer la batterie dans l'outil, vérifiez toujours que la gâchette fonctionne bien et revient en position d'arrêt lorsqu'elle est relâchée. (Fig. 4)

L'outil est doté d'un levier en guise de dispositif de sécurité, en sus de la gâchette habituelle. (Fig. 5)

Pour enfoncer les clous, tirez tout d'abord le levier, puis enfoncez la gâchette.

Réglage de la profondeur du clouage

⚠ AVERTISSEMENT :

- Assurez-vous toujours que vos doigts ne sont pas posés sur la gâchette ou le levier et que la batterie est retirée avant de charger le cloueur. (Fig. 6)

La profondeur du clouage est réglable sur ce cloueur. À l'aide de la clé hexagonale livrée avec l'outil, faites faire un quart de tour aux boulons et la protection du guide-embout coulisse verticalement. La profondeur est réglable jusqu'à un maximum de 1,5 mm. À la profondeur souhaitée, serrez fermement à l'aide des deux boulons.

Allumage des lampes

⚠ ATTENTION :

- Ne regardez pas directement la lumière ou la source de lumière. (Fig. 7)

Pour allumer la lampe, tirez sur le levier. Pour l'éteindre, relâchez le levier.

REMARQUE :

- Utilisez un chiffon sec pour essuyer les saletés qui recouvrent la lentille de la lampe. Prenez garde de ne pas rayer la lentille de la lampe, sinon sa capacité d'éclairage sera affectée.
- Même si la lampe s'allume alors que la charge de la batterie diminue, le cloueur risque de ne pas fonctionner. Lorsque cela se produit, rechargez la batterie.

Dispositif anti-éjection à sec

⚠ ATTENTION :

- Assurez-vous toujours que vos doigts ne sont pas posés sur la gâchette ou le levier et que la batterie est retirée avant de charger le cloueur.

Quand il reste entre 0 et 3 clous dans le magasin, vous ne pouvez plus enfoncer la gâchette. Insérez alors une nouvelle bande de clous dans le magasin et vous pouvez à nouveau enfoncer la gâchette.

REMARQUE :

- Quand vous utilisez une longueur de clou différente peu après le déclenchement du dispositif anti-éjection à sec, insérez une nouvelle bande de clous dans le magasin et déchargez tous les clous précédents restants, dans un vieux matériau.

ASSEMBLAGE

⚠ ATTENTION :

- Assurez-vous toujours que vos doigts ne sont pas posés sur la gâchette ou le levier et que la batterie est retirée avant d'effectuer toute intervention sur le cloueur.

Chargement du cloueur

⚠ ATTENTION :

- Assurez-vous toujours que vos doigts ne sont pas posés sur la gâchette ou le levier et que la batterie est retirée avant de charger le cloueur.
- Évitez de faire coulisser brusquement le magasin du cloueur quand il est chargé de clous. La chute accidentelle de clous risque de causer des blessures, surtout quand vous travaillez en hauteur.
- Introduisez les clous dans le bon sens. Un chargement dans le mauvais sens entraîne une usure trop rapide de l'embout et risque d'endommager les autres pièces. (Fig. 8)

Retrait de la batterie.

Enfoncez le levier de sécurité et faites coulisser le magasin.

Placez les clous contre le magasin et insérez bien à fond dans la partie saillante. (Assurez-vous de placer les clous dans le bon sens.)

Tout en les maintenant dans cette position, insérez les clous bien à fond dans le guide-embout.

Remettez le magasin en position originale puis verrouillez-le à l'aide du levier de sécurité.

⚠ ATTENTION :

- N'utilisez pas les clous qui sont déformés. Utilisez les clous spécifiés dans le présent manuel. L'utilisation de types de clou différents de ceux indiqués peut engendrer un blocage ou endommager le cloueur.

Déchargement du cloueur

⚠ ATTENTION :

- Pour retirer les clous, assurez-vous que vos doigts ne sont pas posés sur la gâchette ou le levier et que la batterie est retirée du cloueur. Une maladresse peut causer des blessures graves et des dommages matériels.

Retrait de la batterie.

Enfoncez le levier de sécurité et faites coulisser le magasin.
Enlevez les clous de la partie saillante du magasin.

Adaptateur de bec

⚠ ATTENTION :

- Assurez-vous toujours que vos doigts ne sont pas posés sur la gâchette ou le levier et que la batterie est retirée avant d'installer l'adaptateur de bec. (Fig. 9)

Pour l'application de clous sur un matériau ayant des surfaces facilement déparées, utilisez l'adaptateur de bec. Pour installer l'adaptateur de bec, placez-le sur la protection du guide-embout afin que la partie saillante qui se trouve à l'intérieur de l'adaptateur pénètre dans celle de la protection du guide-embout.

Lorsque vous ne l'utilisez pas, rangez l'adaptateur de bec dans l'emplacement situé à l'arrière du magasin afin d'éviter de le perdre.

Crochet

⚠ ATTENTION :

- Assurez-vous toujours que vos doigts ne sont pas posés sur la gâchette ou le levier et que la batterie est retirée avant d'utiliser le crochet. (Fig. 10)

⚠ ATTENTION :

- Ne suspendez pas le crochet au ceinturon. La chute du cloueur, due au déplacement accidentel du crochet, peut engendrer un mauvais démarrage et causer des blessures. (Fig. 11)

L'outil est équipé d'un crochet pratique qui permet de le suspendre temporairement.

Il s'installe d'un côté comme de l'autre de l'outil.

Pour installer le crochet, insérez-le dans une rainure du carter de l'outil d'un côté ou de l'autre puis serrez-le avec une vis.

Pour le retirer, desserrez la vis et enlevez-le.

Rangement de la clé hexagonale (Fig. 12)

Lorsque vous n'utilisez pas la clé hexagonale, rangez-la comme indiqué sur l'illustration pour éviter de la perdre.

UTILISATION

Clouage

⚠ AVERTISSEMENT :

- Avant d'appuyer sur la gâchette, assurez-vous toujours que l'orifice d'éjection des clous est en contact avec le matériau à fixer. Appuyez simplement sur la gâchette pour extraire les clous. Une maladresse peut causer des blessures. (Fig. 13)

Placez l'orifice d'éjection des clous bien à plat sur le matériau à fixer et maintenez fermement l'outil sur le matériau. Puis tirez le levier et appuyez sur la gâchette pour enfoncez les clous. La poignée est conçue pour que la tête de l'outil soit maintenue en place en toute sécurité avec l'index et le pouce. Après avoir enfoncé un clou, assurez-vous de relâcher complètement la gâchette. (Fig. 14)

Si la tête d'un clou reste au-dessus de la surface du matériau, enfoncez le clou tout en maintenant fermement la tête de l'outil.

REMARQUE :

- Quand la gâchette est enfoncée après une action rapide, le cloueur peut s'arrêter un instant et se remettre à fonctionner mais sans enfoncez de clous. Ce n'est pas une anomalie. Si cela se produit, relâchez la gâchette une fois, enfoncez-la à nouveau et les clous peuvent être enfoncés.
- Une utilisation prolongée du cloueur sur la tête des clous restant au-dessus de la surface du matériau à fixer risque d'endommager l'embout du cloueur et d'engendrer un blocage etc.

Retrait des clous coincés

⚠ AVERTISSEMENT :

- Avant de retirer les clous coincés, assurez-vous toujours que le levier est relâché et que la batterie est retirée. (Fig. 15)

Retrait de la batterie du cloueur.

Enlevez les clous qui restent dans le magasin.

Desserrez les boulons (A) et (B) en les tournant (environ deux tours) à l'aide de la clé hexagonale livrée avec le cloueur.

Retrait de la protection du guide-embout en le coulisant.

Enlevez les clous coincés, les débris, la colle et les morceaux de bois etc. qui se trouvent sur le passage des clous.

Vérifiez que la protection du guide-embout ne contient aucun clou coincé ni aucun autre corps étranger, puis serrez fermement à l'aide de ces deux boulons.

MAINTENANCE

⚠ ATTENTION :

- Assurez-vous toujours que l'outil est hors tension et que la batterie est retirée avant d'y effectuer tout travail d'inspection ou d'entretien.
- N'utilisez jamais d'essence, de benzine, de diluant, d'alcool ou de produit similaire. Ces produits risquent de provoquer des décolorations, des déformations ou des fissures.
- Pour assurer la SÉCURITÉ et la FIABILITÉ du produit, toute réparation et tout travail d'entretien ou de réglage doivent être effectués par un Centre de service après-vente agréé Makita, avec des pièces de rechange Makita.

ACCESSOIRES FOURNIS EN OPTION

⚠ ATTENTION :

- Ces accessoires ou pièces complémentaires sont recommandés pour être utilisés avec l'outil Makita spécifié dans ce mode d'emploi. L'utilisation de tout autre accessoire ou pièce complémentaire peut comporter un risque de blessure. N'utilisez les accessoires ou pièces qu'aux fins auxquelles ils ont été conçus.

Pour obtenir plus de détails sur ces accessoires, contactez votre Centre de service local Makita.

- Clous
- Divers types de batteries et chargeurs de marque Makita.
- Lunettes de sécurité

REMARQUE :

- Certains éléments de la liste peuvent être inclus en tant qu'accessoires standard dans le coffret de l'outil envoyé. Ils peuvent varier suivant les pays.

Bruit ENG905-1
Les niveaux de bruit pondéré A typiques ont été mesurés selon la norme EN60745 :

Modèle DPT350Niveau de pression sonore (L_{pA}) : 75 dB (A)

Incertitude (K) : 3 dB (A)

Le niveau de bruit peut dépasser 80 dB (A) lors de l'utilisation.

Modèle DPT351Niveau de pression sonore (L_{pA}) : 74 dB (A)

Incertitude (K) : 3 dB (A)

Le niveau de bruit peut dépasser 80 dB (A) lors de l'utilisation.

Portez des protections auditives.

Vibrations ENG904-2
La valeur d'émission des vibrations a été mesurée selon la norme EN60745 :

Émission des vibrations (a_n) : 2,5 m/s² ou moinsIncertitude (K) : 1,5 m/s²

- La valeur de l'émission des vibrations déclarée a été mesurée conformément à la méthode de test standard et peut être utilisée afin de comparer des outils entre eux.
- La valeur de l'émission des vibrations déclarée peut également être utilisée lors d'une évaluation préliminaire de l'exposition.

⚠ AVERTISSEMENT :

- Selon la manière dont l'outil est utilisé, il est possible que l'émission des vibrations pendant l'utilisation réelle de l'outil électrique diffère de la valeur de l'émission déclarée.
- Veillez à identifier les mesures de sécurité destinées à protéger l'opérateur et établies en fonction de l'estimation de l'exposition dans les conditions réelles d'utilisation (en prenant en compte toutes les étapes du cycle de fonctionnement, telles que les périodes de mise hors tension de l'outil, les périodes de fonctionnement au ralenti et les périodes de mise en route).

Pour les pays d'Europe uniquement ENH101-15
Déclaration de conformité CE

Nous, Makita Corporation, en tant que fabricant responsable, déclarons que les machines Makita suivantes :

Nom de la machine :

Cloueur Sans Fil

N° de modèle/Type : DPT350, DPT351

sont fabriquées en série et

Sont conformes aux directives européennes suivantes :

2006/42/CE

Et sont produites conformément aux normes ou documents de normalisation suivants :

EN60745

La documentation technique est disponible auprès de notre représentant en Europe qui est :

Makita International Europe Ltd.

Michigan Drive, Tongwell,

Milton Keynes, Bucks MK15 8JD, Angleterre

22. 12. 2010



Tomoyasu Kato

Directeur

Makita Corporation

3-11-8, Sumiyoshi-cho,

Anjo, Aichi, 446-8502, JAPAN

DEUTSCH (Originalanweisungen)

Erklärung der Gesamtdarstellung

- | | | |
|------------------------------|------------------------|------------------------|
| 1. Roter Bereich | 9. Lampe | 17. Rille |
| 2. Taste | 10. Führungsschiene | 18. Einhängeclip |
| 3. Akkublock | 11. Pins | 19. Schraube |
| 4. Schalter | 12. Magazin | 20. Sechskantschlüssel |
| 5. Hebel | 13. Verriegelungshebel | 21. Werkstück |
| 6. Schiebeklappe | 14. Vorsprung | 22. Bolzen (B) |
| 7. Bolzen | 15. Adapternase | 23. Bolzen (A) |
| 8. Führungsschienenabdeckung | 16. Halter | |

TECHNISCHE ANGABEN

Modell	DPT350		DPT351	
Pingröße	0,6 x 18, 25, 30, 35 mm		0,6 x 18, 25, 30, 35 mm	
Magazinkapazität	130 Stck.		130 Stck.	
Abmessungen (L x B x H)	227 mm x 79 mm x 245 mm		227 mm x 79 mm x 249 mm	
Akkublock	BL1415N	BL1430, BL1440, BL1450	BL1815, BL1815N, BL1820	BL1830, BL1840, BL1850
Nettogewicht	1,8 kg	2,0 kg	1,9 kg	2,1 kg
Nennspannung	14,4 V Gleichspannung		18 V Gleichspannung	

- Aufgrund unserer beständigen Forschungen und Weiterentwicklungen sind Änderungen an den hier angegebenen Technischen Daten ohne Vorankündigung vorbehalten.
- Die Technischen Daten und der Akkublock können in den einzelnen Ländern Abweichungen aufweisen.
- Gewicht, mit Akkublock, ermittelt gemäß EPTA-Verfahren 01/2003

Verwendungszweck ENE068-1

Das Werkzeug wurde für das Eintreiben von Pins in Baumaterial wie z. B. Bauholz entwickelt.

Allgemeine Sicherheitshinweise für Elektrowerkzeuge GEA010-1

⚠️ WARNUNG Lesen Sie alle Sicherheitshinweise und Anweisungen sorgfältig durch. Wenn die Hinweise und Anweisungen nicht beachtet werden, besteht die Gefahr eines Stromschlags, Brands und/oder das Risiko von ernsthaften Verletzungen.

Bewahren Sie alle Hinweise und Anweisungen zur späteren Referenz gut auf.

SICHERHEITSHINWEISE ZUM AKKU-TACKER GEB090-1

1. **Gehen Sie stets davon aus, dass sich Pins im Werkzeug befinden.** Ein unachtsamer Umgang mit dem Tacker kann zu plötzlichem Ausschleßen von Pins führen, die schwere Verletzungen verursachen können.
2. **Richten Sie das Werkzeug niemals auf sich oder andere Personen.** Bei einem ungewollten Auslösen werden Pins ausgeschossen, die schwere Verletzungen verursachen können.
3. **Lösen Sie das Werkzeug nur dann aus, wenn es fest auf das Werkstück aufgesetzt ist.** Wenn der Tacker nicht fest auf dem Werkstück aufsitzt, kann der Tacker ausschlagen.
4. **Trennen Sie das Werkzeug stets von der Stromversorgung, wenn sich ein Pins im Werkzeug verklemt hat.** Wenn der Tacker beim Entfernen eines verklemtten Pins an die Stromversorgung angeschlossen ist, kann der Tacker versehentlich ausgelöst werden.
5. **Gehen Sie beim Entfernen eines verklemtten Pins vorsichtig vor.** Beim Beheben einer Blockade kann der Mechanismus unter Druck stehen, und es kann dazu kommen, dass der Pins mit großer Kraft ausgeschossen wird.
6. **Verwenden Sie diesen Tacker nicht für das Befestigen von Elektrokabeln.** Das Werkzeug ist nicht für das Befestigen von Elektrokabeln vorgesehen. Die Isolierung von Elektrokabeln kann durch das Werkzeug beschädigt werden, wodurch es zu einem Stromschlag und/oder einem Brand kommen kann.
7. **Tragen Sie stets eine Arbeitsschutzbrille bzw. eine adäquate Korrektionschutzbrille und ggf. einen Gesichtsschutz.**
8. **Halten Sie Hände und Füße vom Bereich der Auswurföffnung fern.**
9. **Ziehen Sie vor dem Laden von Pins, vor Einstellungen, Inspektionen, Wartungsarbeiten und nach Beendigung des Betriebs stets den Akkublock vom Werkzeug ab.**
10. **Vergewissern Sie sich, dass keine Personen in der Nähe sind, bevor Sie mit den Tackerarbeiten beginnen.** Tackerarbeiten dürfen niemals gleichzeitig an beiden Seiten der Wand ausgeführt werden. Pins können durchschlagen und/oder herausfliegen und dabei eine große Gefahr darstellen.

11. Achten Sie beim Arbeiten mit dem Werkzeug auf sicheren Stand und Gleichgewicht. Vergewissern Sie sich, dass sich bei Arbeiten an hochgelegenen Arbeitsplätzen keine Personen unterhalb aufhalten.
 12. Überprüfen Sie vor Nagelarbeiten Wand, Decke, Fußboden, Dach und dergleichen sorgfältig, damit Pins nicht in Strom führende Kabel, Isolierrohre oder Gasrohre eingetrieben werden, wodurch es zu einem elektrische Schlag, Gaslecks, Explosionen usw. kommen kann.
 13. Verwenden Sie ausschließlich die in dieser Anleitung vorgegebenen Pins. Bei Verwendung anderer Pins kann es zu einer Fehlfunktion des Werkzeugs kommen.
 14. Verwenden Sie das Werkzeug nicht missbräuchlich, sondern ausschließlich für das Eintreiben von Pins.
 15. Lösen Sie das Werkzeug nur dann aus, wenn sich Pins im Werkzeug befinden. Anderenfalls verkürzt sich die Lebensdauer des Werkzeugs.
 16. Brechen Sie den Betrieb sofort ab, wenn Sie einen Defekt oder etwas Ungewöhnliches am Werkzeug feststellen.
 17. Treiben Sie Pins nicht in Materialien ein, die von den Pins durchschlagen werden können; ein Pin würd in diesem Fall zum Projektil.
 18. Betätigen Sie erst bei korrekter Positionierung des Werkzeugs am Werkstück gleichzeitig den Ein/Aus-Schalter und den Sicherheitshebel. Der Sicherheitshebel muss durch das Werkstück heruntergedrückt werden. Der Sicherheitshebel darf weder in entsicherter Stellung arretiert noch per Hand betätigt werden.
 19. Setzen Sie den Sicherheitshebel niemals außer Funktion. Prüfen Sie den Sicherheitshebel regelmäßig auf ordnungsgemäße Funktion.
- besteht die Gefahr einer Überhitzung sowie das Risiko möglicher Verbrennungen und sogar einer Explosion.
4. Wenn Elektrolyt in Ihre Augen gerät, waschen Sie diese mit klarem Wasser aus und suchen Sie sofort einen Arzt auf. Andernfalls können Sie Ihre Sehfähigkeit verlieren.
 5. Vermeiden Sie einen Kurzschluss des Akkublocks:
 - (1) Die Kontakte dürfen nicht mit leitendem Material in Berührung kommen.
 - (2) Der Akkublock darf nicht in einem Behälter aufbewahrt werden, in dem sich andere metallische Gegenstände wie beispielsweise Nägel, Münzen usw. befinden.
 - (3) Der Akkublock darf weder Feuchtigkeit noch Regen ausgesetzt werden.
 Ein Kurzschluss des Akkus kann zu hohem Kriechstrom, Überhitzung, möglichen Verbrennungen und sogar zu einer Zerstörung des Werkzeugs führen.
 6. Werkzeug und Akkublock dürfen nicht an Orten aufbewahrt werden, an denen Temperaturen von 50°C oder darüber erreicht werden können.
 7. Beschädigte oder verbrauchte Akkus dürfen nicht verbrannt werden. Der Akkublock kann in den Flammen explodieren.
 8. Lassen Sie den Akku nicht fallen und vermeiden Sie Schläge gegen den Akku.
 9. Verwenden Sie niemals einen beschädigten Akku.
 10. Befolgen Sie die in Ihrem Land geltenden Bestimmungen bzgl. der Entsorgung von Akkus.

BEWAHREN SIE DIESE ANLEITUNG SORGFÄLTIG AUF.

Tipps für eine maximale Nutzungsdauer von Akkus

1. Laden Sie den Akkublock auf, bevor der Akku vollständig entladen ist. Sobald Sie eine verringerte Leistung des Werkzeugs bemerken, beenden Sie stets den Betrieb des Werkzeugs und laden Sie den Akkublock auf.
2. Ein voll aufgeladener Akkublock darf niemals erneut geladen werden. Durch Überladungen wird die Lebensdauer des Akkus verkürzt.
3. Laden Sie den Akkublock bei einer Zimmertemperatur von 10°C bis 40°C auf. Lassen Sie einen heißen Akkublock vor dem Aufladen abkühlen.
4. Laden Sie den Akkublock alle sechs Monate auf, wenn Sie diesen für längere Zeit nicht verwenden.

FUNKTIONSBESCHREIBUNG

⚠️ ACHTUNG:

- Schalten Sie das Werkzeug stets aus, und entfernen Sie den Akkublock, bevor Sie Einstellungen oder eine Funktionsprüfung des Werkzeugs vornehmen.

BEWAHREN SIE DIESE ANLEITUNG SORGFÄLTIG AUF.

⚠️ WARNUNG:

Lassen Sie sich NIE durch Bequemlichkeit oder (aus fortwährendem Gebrauch gewonnener) Vertrautheit mit dem Werkzeug dazu verleiten, die Sicherheitsregeln für das Werkzeug zu missachten. Bei MISSBRÄUHLICHER Verwendung des Werkzeugs oder Missachtung der in diesem Handbuch enthaltenen Sicherheitshinweise kann es zu schweren Verletzungen kommen.

WICHTIGE SICHERHEITSGELN

ENC007-8

FÜR AKKUBLOCK

1. Lesen Sie vor der Verwendung des Akkublocks alle Anweisungen und Sicherheitshinweise für das Akkuladegerät (1), den Akku (2) und das Produkt (3), für das der Akku verwendet wird, sorgfältig durch.
2. Der Akkublock darf nicht zerlegt werden.
3. Falls die Betriebsdauer erheblich kürzer wird, beenden Sie den Betrieb umgehend. Andernfalls

Montage und Demontage des Akkublocks (Abb. 1)

- Schalten Sie das Werkzeug stets aus, bevor Sie den Akkublock einsetzen oder entnehmen.
- Zum Entnehmen des Akkublocks müssen Sie die Taste auf der Vorderseite des Akkublocks schieben und gleichzeitig den Akkublock aus dem Werkzeug herausziehen.
- Zum Einsetzen des Akkublocks müssen Sie die Zunge des Akkublocks an der Rille im Gehäuse ausrichten und in die gewünschte Position schieben. Setzen Sie den Block unbedingt ganz ein, bis er mit einem Klick einrastet. Wenn Sie den roten Bereich oben auf der Taste sehen können, ist der Block nicht ganz eingerastet. Setzen Sie den Akkublock vollständig ein, bis der rote Bereich nicht mehr zu sehen ist. Andernfalls kann der Block versehentlich aus dem Werkzeug fallen und Sie oder Personen in Ihrem Umfeld verletzen.
- Wenden Sie beim Einsetzen des Akkublocks keine Gewalt an. Wenn der Block nicht leicht hineingleitet, ist er nicht richtig eingesetzt.

Sicherheitssystem

⚠️ WARNUNG:

- Vergewissern Sie sich vor der Benutzung, dass alle Sicherheitssysteme in gutem Betriebszustand sind. Zuwiderhandlungen können zu Personenschäden führen. (Abb. 2)

Bevor Sie mit dem Tackern beginnen, testen Sie die Sicherheitssysteme auf möglichen Fehlerbetrieb, gehen Sie folgendermaßen vor:

1. Stellen Sie vor dem Testlauf sicher, dass das Werkzeug nicht mit Pins geladen ist.
2. Ziehen Sie die Schiebeklappe des Magazins zu sich. (Abb. 3)
3. Das Werkzeug läuft versehentlich an, wenn nur der Schalter gezogen wird, obwohl der Hebel nicht gezogen wurde.
4. Das Werkzeug läuft nicht an, wenn der Schalter und der Hebel gleichzeitig gezogen werden.

Im Fall Nr. 3 und Nr. 4 sind die Sicherheitssysteme fehlerhaft.

Schalter und Hebel

⚠️ ACHTUNG:

- Achten Sie vor dem Einsetzen des Akkublocks in das Werkzeug darauf, dass sich der Ein/Aus-Schalter korrekt bedienen lässt und beim Loslassen in die Position „OFF“ (AUS) zurückkehrt. (Abb. 4)

Das Werkzeug verfügt über einen Hebel, der als zusätzliches Sicherheitssystem zur normalen Auslöseschaltung dient. (Abb. 5)

Zum Auswerfen der Pins ziehen Sie zunächst den Hebel und anschließend die Auslöseschaltung.

Einstellen der Einschlagtiefe

⚠️ WARNUNG:

- Achten Sie vor dem Laden des Pintackers darauf, dass Sie Ihre Finger nicht am Schalter oder Hebel halten und Sie den Akkublock entnehmen. (Abb. 6)

Bei diesem Pintacker können Sie die Einschlagtiefe einstellen. Drehen Sie zwei Schrauben mithilfe des mitgelieferten Sechskantschlüssels um 90 Grad, so dass sich die Führungsschienenabdeckung nach oben oder unten verschieben lässt. Die Tiefe kann auf maximal 1,5 mm eingestellt werden. Wenn Sie die gewünschte Einschlagtiefe eingestellt haben, sichern Sie die Führungsschiene mit zwei Bolzen.

Einschalten der Lampen

⚠️ ACHTUNG:

- Schauen Sie nicht direkt in das Licht oder in die Lichtquelle. (Abb. 7)

Ziehen Sie zum Einschalten der Lampe den Hebel. Lassen Sie den Hebel los, um sie auszuschalten.

HINWEIS:

- Wischen Sie Schmutz auf der Lampenlinse mit einem trockenen Tuch ab. Achten Sie darauf, die Lampenlinse nicht zu zerkratzen, da dies die Beleuchtungsstärke mindern kann.
- Die Lampe leuchtet auch auf, wenn die verbleibende Akkuleistung zu gering wird und der Pintacker kann keine Pins mehr auswerfen. Laden Sie in diesem Fall den Akkublock wieder auf.

Schutz-Abzugsmechanismus

⚠️ ACHTUNG:

- Achten Sie vor dem Laden des Pintackers darauf, dass Sie Ihre Finger nicht am Schalter oder Hebel halten und Sie den Akkublock entnehmen.

Wenn nur noch weniger als 3 Pins im Magazin sind, kann die Auslöseschaltung nicht mehr gezogen betätigt werden. Legen Sie in diesem Fall eine neue Pinleiste in das Magazin ein. Die Auslöseschaltung kann anschließend wieder gezogen werden.

HINWEIS:

- Wenn unmittelbar nach dem Aktivieren des Schutz-Abzugsmechanismus Pins mit einer anderen Länge ausgeworfen werden, legen Sie eine neue Pinleiste in das Magazin ein und werfen Sie alle alten Pins, die als Ausschuss übrig geblieben sind, aus.

MONTAGE

⚠️ ACHTUNG:

- Achten Sie stets darauf, dass Sie Ihre Finger nicht am Schalter oder Hebel halten und Sie den Akkublock entnehmen, bevor Sie Arbeiten am Werkzeug ausführen.

Laden des Pintackers

⚠️ ACHTUNG:

- Achten Sie vor dem Laden des Pintackers darauf, dass Sie Ihre Finger nicht am Schalter oder Hebel halten und Sie den Akkublock entnehmen.
- Schieben Sie das Magazin nicht ruckartig aus dem Pintacker heraus, wenn es mit Pins geladen ist. Ein versehentliches Herunterfallen von Pins – insbesondere bei Arbeiten an hochgelegenen Plätzen – kann Personenschäden verursachen.

- Legen Sie die Pins mit der richtigen Ausrichtung ein. Ein Einlegen der Pins in die falsche Richtung kann zu frühzeitigem Verschleiß der Führung und zu Beschädigungen anderer Teile führen. **(Abb. 8)**
- Entnehmen Sie den Akkublock.
Drücken Sie den Verriegelungshebel und schieben Sie das Magazin heraus.
Legen Sie die Pins an das Magazin und führen Sie diese entlang des Schlitzes ein. (Achten Sie darauf, die Pins in die richtige Richtung einzulegen.)
Während Sie die Pins in dieser Position halten, schieben Sie sie in die Führungsschiene.
Schieben Sie das Magazin in die Ursprungsposition zurück und verriegeln Sie es mithilfe des Verriegelungshebels.

⚠️ ACHTUNG:

- Verwenden Sie keine verformten oder verhakten Pins. Verwenden Sie nur die in diesem Handbuch angegebenen Pins. Die Verwendung anderer Pins kann zum Verhaken der Pins und zum Bruch des Pintackers führen.

Entladen des Pintackers

⚠️ ACHTUNG:

- Achten Sie vor dem Entfernen von Pins darauf, dass Sie Ihre Finger nicht am Schalter oder Hebel halten und Sie den Akkublock entnehmen. Ein Fehlauswurf kann Personen- und Sachschäden verursachen.
- Entnehmen Sie den Akkublock.
Drücken Sie den Verriegelungshebel und schieben Sie das Magazin heraus.
Entnehmen Sie die Pins aus dem Magazinschlitz.

Adapternase

⚠️ ACHTUNG:

- Achten Sie stets darauf, dass Sie Ihre Finger nicht am Schalter oder Hebel halten und Sie den Akkublock entnehmen, bevor Sie die Adapternase anbringen. **(Abb. 9)**

Verwenden Sie die Adapternase, um Pins in Werkstücke mit einer leicht beschädigten Oberfläche einzuschlagen. Um die Adapternase anzubringen, legen Sie diese auf die Führungsschieneabdeckung, so dass der Vorsprung innerhalb der Adapternase in den Schlitz der Führungsschieneabdeckung passt.
Bewahren Sie die Adapternase bei Nichtgebrauch im Halter an der Rückseite des Magazins, so dass er nicht verloren gehen kann.

Haken

⚠️ ACHTUNG:

- Achten Sie stets darauf, dass Sie Ihre Finger nicht am Schalter oder Hebel halten und Sie den Akkublock entnehmen, bevor Sie den Haken verwenden. **(Abb. 10)**

⚠️ ACHTUNG:

- Hängen Sie den Haken nicht an den Gürtel. Falls sich der Haken verschiebt, kann der Pintacker herunterfallen und Fehlauswürfe und Personenschäden verursachen. **(Abb. 11)**

Der Haken ist nützlich, wenn Sie das Werkzeug vorübergehend aufhängen möchten. Er kann an jeder Seite des Werkzeugs befestigt werden. Setzen Sie den Haken zur Montage in eine Rille am Werkzeuggehäuse (die Seite ist beliebig), und befestigen Sie diesen mit einer Schraube.
Zur Entfernung müssen Sie nur die Schraube lockern und den Haken herausnehmen.

Aufbewahrung des Sechskantschlüssels **(Abb. 12)**

Wenn Sie den Sechskantschlüssel nicht verwenden, bewahren Sie ihn wie in der Abbildung dargestellt auf, damit er nicht verloren geht.

BETRIEB

Einschlagen von Pins

⚠️ WARNUNG:

- Bevor Sie den Schalter betätigen, stellen Sie sicher, dass die Auslassöffnung das Werkstück berührt. Durch Ziehen des Auslösers werden die Pins ausgeworfen. Ein Fehlauswurf kann zu Personenschäden führen. **(Abb. 13)**

Positionieren Sie die Auslassöffnung des Werkzeugs flach auf das Werkstück und drücken Sie es fest gegen das Werkstück. Ziehen Sie anschließend den Hebel und den Auslöser, um den Pin einzuschlagen. Der Griff ist so geformt, dass Sie den Werkzeugkopf mit dem Zeigefinger und Daumen sicher nach unten halten können. Nach dem Einschlagen des Pins lassen Sie den Auslöser vollständig los. **(Abb. 14)**

Wenn der Kopf des Pins aus dem Werkstück hervorsteht, schlagen Sie den Pin vollständig ein, wobei Sie den Werkzeugkopf fest halten.

HINWEIS:

- Wenn der Schalter nach einer Schnellauslöser-Aktion betätigt wird, läuft der Tacker kurz an. Es werden jedoch keine Pins ausgeworfen. Dies ist keine Fehlfunktion. Lassen Sie in diesem Fall den Schalter kurz los und betätigen ihn erneut. Der Auswurf funktioniert wieder.
- Wenn während des Einschlagvorgangs der Pinkopf fortwährend an der Oberfläche des Werkstücks bleibt, kann dies die Führung des Werkzeugs beschädigen und zu Verklemmungen usw. führen.

Entfernen von verhakten Pins

⚠️ WARNUNG:

- Stellen Sie sicher, dass der Hebel gelöst ist und Sie den Akkublock entnehmen, bevor Sie verhakete Pins entfernen. **(Abb. 15)**

Entfernen Sie den Akkublock aus dem Pintacker. Entnehmen Sie die verbleibenden Pins aus dem Magazin. Lösen Sie den Bolzen (A) und den Bolzen (B), indem Sie diese zwei Mal mithilfe des mitgelieferten Sechskantschlüssels drehen.
Ziehen Sie die Führungsschieneabdeckung ab. Entfernen Sie verhakete Pins, Ablagerungen, Gummirückstände oder Hackschnitzel vom Pinauslass. Suchen Sie die Führungsschieneabdeckung nach verhakten Pins oder anderen Fremdkörpern ab und

befestigen Sie diese anschließend mithilfe dieser zwei Bolzen.

WARTUNG

⚠️ ACHTUNG:

- Schalten Sie das Werkzeug stets aus und entfernen Sie den Akkublock, bevor Sie Inspektionen oder Wartungsarbeiten am Werkzeug vornehmen.
- Verwenden Sie zum Reinigen niemals Kraftstoffe, Benzin, Verdünnern, Alkohol oder ähnliches. Dies kann zu Verfärbungen, Verformungen oder Rissen führen.
- Um die SICHERHEIT und ZUVERLÄSSIGKEIT des Produkts zu gewährleisten, sollten Reparaturen, Wartungsarbeiten und Einstellungen nur durch von Makita autorisierte Servicecenter durchgeführt und immer Makita-Ersatzteile verwendet werden.

SONDERZUBEHÖR

⚠️ ACHTUNG:

- Für das in diesem Handbuch beschriebene Makita-Gerät werden die folgenden Zubehör- und Zusatzteile empfohlen. Bei Verwendung anderer Zubehör- und Zusatzteile kann es zu Verletzungen kommen. Verwenden Sie Zubehör- und Zusatzteile nur für den vorgesehenen Zweck.

Informationen zu diesem Zubehör erhalten Sie von Ihrem Makita-Servicecenter.

- Pins
- Verschiedene Arten von Makita-Originalakkus und -Ladegeräten
- Schutzbrille

HINWEIS:

- Einige der in der Liste aufgeführten Elemente sind dem Werkzeugpaket als Standardzubehör beigelegt. Diese können in den einzelnen Ländern voneinander abweichen.

Schallpegel

ENG905-1

Typischer A-bewerteter Schallpegel nach EN60745:

Modell DPT350

Schalldruckpegel (L_{pA}): 75 dB (A)
Abweichung (K): 3 dB (A)

Unter Arbeitsbedingungen kann der Schalldruck 80 dB (A) überschreiten.

Modell DPT351

Schalldruckpegel (L_{pA}): 74 dB (A)
Abweichung (K): 3 dB (A)

Unter Arbeitsbedingungen kann der Schalldruck 80 dB (A) überschreiten.

Tragen Sie Gehörschutz.

Schwingung

ENG904-2

Die Schwingungsbelastung wird gemäß EN60745 bestimmt:

Schwingungsbelastung (a_h): 2,5 m/s² oder weniger
Abweichung (K): 1,5 m/s²

ENG901-1

- Der hier angegebene Wert für die erzeugten Schwingungen wurde gemäß dem genormten Testverfahren ermittelt und kann als Vergleich zu anderen Werkzeugen herangezogen werden.

- Der angegebene Wert für die erzeugten Schwingungen ist außerdem für eine vorbeugende Bewertung der Belastung zu verwenden.

⚠️ WARNUNG:

- Die Schwingungsbelastung kann bei tatsächlichem Gebrauch des Elektrowerkzeugs in Abhängigkeit von der Handhabung des Elektrowerkzeugs von dem hier aufgeführten Wert abweichen.
- Stellen Sie sicher, dass Schutzmaßnahmen für den Bediener getroffen werden, die auf den unter den tatsächlichen Arbeitsbedingungen zu erwartenden Belastungen beruhen (beziehen Sie alle Bestandteile des Arbeitsablaufs ein, also zusätzlich zu den Arbeitszeiten auch Zeiten, in denen das Werkzeug ausgeschaltet ist oder ohne Last läuft).

Nur für europäische Länder

ENH101-15

EG-Konformitätserklärung

Wir, Makita Corporation als verantwortlicher

Hersteller, erklären, dass das/die folgenden Gerät/

Geräte der Marke Makita:

Bezeichnung des Geräts:

Akku-Pintacker

Nummer / Typ des Modells: DPT350, DPT351

in Serienfertigung hergestellt wird/werden und

den folgenden Richtlinien der Europäischen Union

genüß/genügen:

2006/42/EG

Außerdem werden die Geräte gemäß den folgenden Standards oder Normen gefertigt:

EN60745

Die technische Dokumentation erfolgt durch unseren Bevollmächtigten in Europa:

Makita International Europe Ltd.

Michigan Drive, Tongwell,

Milton Keynes, Bucks MK15 8JD, England

22. 12. 2010



Tomoyasu Kato

Direktor

Makita Corporation

3-11-8, Sumiyoshi-cho,
Anjo, Aichi, 446-8502, JAPAN

ITALIANO (Istruzioni originali)

Spiegazione della vista generale

- | | | |
|-------------------------------|------------------------|--------------------------|
| 1. Indicatore rossa | 9. Lampada | 17. Scanalatura |
| 2. Pulsante | 10. Guida avvitatore | 18. Gancio |
| 3. Batteria | 11. Chiodi | 19. Vite |
| 4. Grilletto | 12. Scomparto | 20. Chiave esagonale |
| 5. Leva | 13. Levetta di blocco | 21. Materiale da fissare |
| 6. Sportello scorrevole | 14. Sporgenza | 22. Bullone (B) |
| 7. Bulloni | 15. Adattatore esterno | 23. Bullone (A) |
| 8. Coperchio guida avvitatore | 16. Supporto | |

CARATTERISTICHE TECNICHE

Modello	DPT350		DPT351	
Dimensione chiodo	0,6 x 18, 25, 30, 35 mm		0,6 x 18, 25, 30, 35 mm	
Capacità scomparto chiodi	130 pz.		130 pz.	
Dimensioni (L x P x A)	227 mm x 79 mm x 245 mm		227 mm x 79 mm x 249 mm	
Batteria	BL1415N	BL1430, BL1440, BL1450	BL1815, BL1815N, BL1820	BL1830, BL1840, BL1850
Peso netto	1,8 kg	2,0 kg	1,9 kg	2,1 kg
Tensione nominale	CC 14,4 V		CC 18 V	

- Le caratteristiche tecniche riportate di seguito sono soggette a modifiche senza preavviso in virtù del nostro programma continuo di ricerca e sviluppo.
- Le caratteristiche tecniche e le batterie possono differire da paese a paese.
- Peso, comprensivo di batterie, calcolato in base alla Procedura EPTA 01/2003

Uso previsto

ENE068-1

L'utensile è ideale per lavori nel settore dell'edilizia, utilizzabile con materiali da costruzione, come il legname.

Avvertenze generali di sicurezza per l'uso dell'utensile

GEA010-1

⚠ AVVERTENZA Leggere attentamente tutte le avvertenze di sicurezza e le istruzioni. La mancata osservanza delle istruzioni e delle avvertenze riportate di seguito potrebbe provocare scosse elettriche, incendi e/o lesioni gravi.

Conservare le avvertenze e le istruzioni per riferimenti futuri.

AVVERTENZE SULLA SICUREZZA DELLA CHIODATRICE A BATTERIA

GEB090-1

- Presupporre sempre che l'utensile contenga i chiodi.** Una manipolazione non corretta della chiodatrice può risultare in un'attivazione improvvisa con lancio di chiodi, provocando lesioni personali.
- Non puntare mai l'utensile verso se stessi o altre persone in prossimità.** Un innesco improvviso provocherà lo sparo di chiodi, con conseguente lesione personale.
- Attivare l'utensile solo quando risulta appoggiato saldamente al pezzo.** Qualora l'utensile non fosse a stretto contatto con il pezzo, il chiodo potrebbe deviare dall'obiettivo.
- In caso di chiodi incastrati all'interno dell'utensile, scollegare lo stesso dall'alimentazione.** Qualora si proceda alla rimozione di chiodi incastrati, scollegare sempre la chiodatrice dall'alimentazione, in quanto potrebbe essere incidentalmente attivata.
- Nel caso di rimozione di chiodi incastrati, procedere con estrema attenzione.** Nel tentativo di liberazione del chiodo inceppato, il meccanismo potrebbe essere sottoposto a compressione e il chiodo potrebbe essere sparato.
- Non usare la chiodatrice come dispositivo di fissaggio di cavi elettrici.** Tale utensile non è stato concepito a tale scopo e potrebbe danneggiare l'isolamento degli stessi, causando di conseguenza, rischio di scossa o incendio.
- Indossare sempre gli occhiali di protezione, con schermature ai lati e uno schermo facciale completo, se necessario.**
- Tenere le mani e i piedi lontani dall'area del foro di espulsione.**
- Rimuovere sempre la batteria prima di procedere al caricamento dei chiodi, effettuare le regolazioni, effettuare un controllo, manutenzione o qualsivoglia operazione.**
- Prima dell'utilizzo, accertarsi che non vi siano persone in prossimità. Non tentare di applicare chiodi contemporaneamente su entrambi i lati, interno ed esterno, della parete. I chiodi potrebbero trapassare e/o volare via, con grave pericolo.**
- Quando si utilizza l'utensile, prestare estrema attenzione alla posizione dei piedi, cercando di mantenere sempre l'equilibrio. In caso di utilizzo dell'utensile in posizioni elevate, controllare che non siano presenti persone al di sotto.**

12. Controllare con cura le pareti, i soffitti, i pavimenti e i tetti per evitare potenziali scosse elettriche, perdite di gas, esplosioni, ecc., causate dal contatto di fili elettrici sotto tensione, condutture o tubi del gas.
13. Utilizzare soltanto i chiodi specificati in questo manuale. L'utilizzo di qualsiasi altro tipo di chiodi potrebbe provocare problemi di funzionamento dell'utensile.
14. Non compromettere l'utilizzo dell'utensile, né utilizzarlo per qualsiasi altro scopo diverso da quello specificato.
15. Non azionare l'utensile senza chiodi. Questo potrebbe provocare un deterioramento dell'utensile stesso.
16. Arrestare immediatamente la chiodatura nel caso in cui l'operatore noti nell'utensile qualcosa di errato o fuori dall'ordinario.
17. Non applicare i chiodi su materiali che non sono in grado di accettare la chiodatura, in quanto i chiodi potrebbero volare e trasformarsi in proiettili.
18. Non attivare mai il grilletto e la leva di sicurezza contemporaneamente, tranne nel caso in cui l'utensile sia posizionato correttamente sul pezzo. Consentire la pressione del pezzo in lavorazione sulla leva di sicurezza. Non compromettere mai l'utilizzo dell'utensile agendo direttamente sulla leva di sicurezza, manualmente.
19. Non manomettere la leva di sicurezza. Controllare regolarmente la leva di sicurezza.

CONSERVARE QUESTE ISTRUZIONI.

AVVERTENZA:

NON lasciare che la familiarità acquisita con il prodotto (dovuta all'uso ripetuto) provochi l'inosseranza delle norme di sicurezza per il presente prodotto. L'USO IMPROPRIO o la mancata osservanza delle norme di sicurezza contenute in questo manuale di istruzioni possono provocare gravi lesioni personali.

ISTRUZIONI IMPORTANTI PER LA SICUREZZA

ENC007-8

RELATIVE ALLA BATTERIA

1. Prima di utilizzare la batteria, leggere tutte le istruzioni e gli avvisi di sicurezza relativi a (1) caricabatteria, (2) batteria e (3) prodotto utilizzato con la batteria.
2. Non smontare la batteria.
3. Se il tempo di funzionamento è diventato eccessivamente breve, non utilizzare l'utensile. Potrebbero verificarsi surriscaldamenti, ustioni o esplosioni.
4. In caso di contatto dell'elettrolita della batteria con gli occhi, sciacquare con acqua fresca e rivolgersi immediatamente a un medico. Potrebbero verificarsi danni permanenti alla funzionalità visiva.
5. Non cortocircuitare la batteria:

- (1) Non toccare i terminali della batteria con materiale in grado di condurre elettricità.
- (2) Evitare di conservare la batteria a contatto con oggetti metallici quali chiodi, monete e così via.
- (3) Non esporre le batterie all'acqua o alla pioggia.

Un cortocircuito può provocare un elevato flusso di corrente, surriscaldamento, ustioni o rotture.

6. Non conservare l'utensile e la batteria a una temperatura superiore a 50 °C.
7. Evitare di smaltire le batterie danneggiate o esaurite bruciandole. Se esposte al fuoco, le batterie possono esplodere.
8. Evitare di far cadere o di colpire la batteria.
9. Non utilizzare batterie danneggiate.
10. Attenersi alle normative della propria area geografica relative allo smaltimento delle batterie.

CONSERVARE QUESTE ISTRUZIONI.

Suggerimenti per il prolungamento della durata della batteria

1. Caricare le batterie prima di scaricarle completamente.
Se si nota una diminuzione di potenza dell'utensile, interrompere il lavoro e ricaricare la batteria.
2. Non ricaricare una batteria già completamente carica.
In caso contrario, la durata operativa della batteria potrebbe ridursi.
3. Caricare la batteria in ambienti con temperatura compresa tra 10 °C e 40 °C. Prima di caricare una batteria surriscaldata, lasciarla raffreddare.
4. Caricare la batteria una volta ogni sei mesi se l'utensile rimane inutilizzato per lungo tempo.

DESCRIZIONE FUNZIONALE

ATTENZIONE:

- Prima di regolare o controllare le funzioni dell'utensile, verificare sempre di averlo spento e di aver rimosso la batteria.

Installazione o rimozione della batteria (Fig. 1)

- Prima di installare o rimuovere la batteria, spegnere sempre l'utensile.
- Per rimuovere la batteria, estrarla dall'utensile facendo scivolare il pulsante nella parte anteriore della batteria.
- Per installare la batteria, allineare la linguetta sulla batteria con la scanalatura dell'alloggiamento e farla scorrere fino a raggiungere la posizione corretta. Inserire sempre la batteria fino a quando si blocca in posizione con uno scatto. Se l'indicatore rosso sul lato superiore del pulsante è ancora visibile, la batteria non è completamente inserita. Inserirla completamente, fino a quando l'indicatore rosso non è più visibile. In caso contrario l'adattatore può fuoriuscire accidentalmente dall'utensile e provocare lesioni all'operatore o a eventuali osservatori.

- Non applicare una forza eccessiva per installare la batteria. Se la batteria non scorre agevolmente, la manovra di inserimento non è corretta.

Sistema di sicurezza

AVVERTENZA:

- Accertarsi che tutti i sistemi di sicurezza funzionino correttamente prima dell'uso. Il mancato rispetto delle precauzioni di sicurezza può provocare lesioni personali. (Fig. 2)

Per verificare che non sussistano anomalie di funzionamento, effettuare la seguente prova di sicurezza.

1. Prima di effettuare il test, verificare che l'utensile non sia caricato.
2. Tirare lo sportello scorrevole dello scomparto in direzione utilizzatore. (Fig. 3)
3. L'utensile si attiva improvvisamente solo qualora il grilletto sia tirato, nonostante la leva non sia tirata.
4. L'utensile non funziona qualora il grilletto e la leva risultino tirati.

Nei casi 3 e 4 summenzionati, i sistemi di sicurezza sono difettosi.

Grilletto e leva

ATTENZIONE:

- Prima di inserire la batteria nell'utensile, controllare che l'interruttore di accensione funzioni correttamente e ritorni nella posizione "OFF" una volta rilasciato. (Fig. 4)

In aggiunta al grilletto standard, l'utensile è dotato di un sistema di sicurezza aggiuntivo a leva. (Fig. 5)

Per espellere i chiodi, prima tirare la leva e poi il grilletto.

Regolazione della profondità di penetrazione del chiodo

AVVERTENZA:

- Prima di caricare la chiodatrice, fare sempre attenzione a non posizionare le dita sul grilletto o sulla leva senza avere rimosso la batteria. (Fig. 6)

La profondità di penetrazione del chiodo può essere regolata nel seguente modo: fare ruotare i bulloni di un quarto di giro, per mezzo di una chiave esagonale fornita assieme all'utensile e il coperchio della guida avvitatore scorrerà in alto o in basso. La profondità può essere regolata fino a 1,5 mm max. Alla profondità desiderata, fissare correttamente i due bulloni.

Accensione delle lampade

ATTENZIONE:

- Non guardare direttamente la luce o la fonte luminosa. (Fig. 7)

Per accendere la lampada, tirare la leva. Per spegnerla, rilasciare la leva.

NOTA:

- Utilizzare un panno asciutto per pulire la lente della lampada. Fare attenzione a non graffiare la lente della lampada onde evitare riduzioni dell'intensità luminosa.
- Anche qualora la luce si accenda nonostante la scarsa carica di batteria, la chiodatrice non funziona. In tal caso, ricaricare la batteria.

Meccanismo anti-espulsione

ATTENZIONE:

- Prima di caricare la chiodatrice, fare sempre attenzione a non posizionare le dita sul grilletto o sulla leva senza avere rimosso la batteria.

Qualora nello scomparto rimangano da 0 a 3 chiodi, il grilletto non permetterà più di essere tirato. A questo punto, inserire una nuova cartuccia di chiodi nello scomparto e tirare il grilletto.

NOTA:

- Nel caso in cui vengano sparati chiodi di diversa lunghezza a seguito dell'attivazione di dispositivo antisparo, procedere all'inserimento di una nuova cartuccia di chiodi nello scomparto e sparare prima tutti i chiodi rimanenti su materiale da scartare.

MONTAGGIO

ATTENZIONE:

- Prima di effettuare una qualsiasi operazione con la chiodatrice, fare sempre attenzione a non posizionare le dita sul grilletto o sulla leva e verificare che la batteria sia stata rimossa.

Caricare la chiodatrice

ATTENZIONE:

- Prima di caricare la chiodatrice, fare sempre attenzione a non posizionare le dita sul grilletto o sulla leva senza avere rimosso la batteria.
- Non fare scorrere improvvisamente lo scomparto della chiodatrice se contenente chiodi. La caduta accidentale di chiodi, specialmente durante le operazioni in posizioni elevate, può provocare lesioni personali.
- Caricare i chiodi nella direzione corretta. Il caricamento in direzione errata può causare usura prematura dell'utensile e danno alle relative parti. (Fig. 8)

Rimozione della batteria.

Premere la leva di bloccaggio e fare scorrere lo scomparto.

Posizionare i chiodi contro lo scomparto e inserire i chiodi fino in fondo. (Fare attenzione a posizionare i chiodi nella direzione corretta).

Mantenendo la chiodatrice in questa posizione, inserire tutti i chiodi nella guida avvitatore.

Ricollocare lo scomparto nella pozione originale e bloccarlo tramite apposita leva.

ATTENZIONE:

- Non utilizzare chiodi deformati. Usare soltanto i chiodi specificati nel presente manuale. L'utilizzo di chiodi diversi da quelli specificati nel manuale può causare incastro e rottura della chiodatrice.

Scaricamento della chiodatrice

ATTENZIONE:

- Prima di rimuovere i chiodi dall'utensile, fare sempre attenzione a non posizionare le dita sul grilletto o sulla leva senza avere rimosso la batteria. Lo sparo accidentale può provocare lesioni personali e danno alla proprietà.

Rimozione della batteria.

Premere la leva di bloccaggio e fare scorrere lo scomparto.
Estrarre i chiodi dallo scomparto della chiodatrice.

Adattatore esterno

ATTENZIONE:

- Prima di caricare la chiodatrice, fare sempre attenzione a non posizionare le dita sul grilletto o sulla leva senza avere rimosso la batteria. (Fig. 9)

Quando si procede alla chiodatura di materiale che presenta superfici facilmente danneggiabili, utilizzare l'adattatore esterno. Per installare lo strumento, posizionarlo sul coperchio guida avvitatore in modo che la sporgenza interna allo stesso venga inserita nella fessura del coperchio guida avvitatore.

Per evitare di perdere la chiave esagonale quando non la si utilizza, collocarla nella posizione illustrata in figura.

Gancio

ATTENZIONE:

- Prima di caricare la chiodatrice, fare sempre attenzione a non posizionare le dita sul grilletto o sulla leva senza avere rimosso la batteria. (Fig. 10)

ATTENZIONE:

- Non appendere il gancio alla cintura. La caduta della chiodatrice causata dal gancio fuoriuscito incidentalmente dalla posizione, può provocare l'espulsione accidentale di chiodi e conseguente lesione personale. (Fig. 11)

Il gancio è utile per appendere temporaneamente l'utensile.

Può essere installato su entrambi i lati dell'utensile. Per installare il gancio, inserirlo in una delle scanalature presenti su ambo i lati dell'alloggiamento dell'utensile e fissarlo con una vite.
Per rimuovere il gancio, allentare la vite ed estrarlo.

Alloggiamento della chiave esagonale (Fig. 12)

Per evitare di perdere la chiave esagonale quando non la si utilizza, collocarla nella posizione illustrata nella figura.

FUNZIONAMENTO

Guida chiodatrice

AVVERTENZA:

- Prima di tirare il grilletto, verificare che l'apertura di sparo dei chiodi sia in contatto con il materiale da fissare. Tirando il grilletto, i chiodi vengono espulsi. L'espulsione accidentale può provocare lesioni personali. (Fig. 13)

Posizionare l'apertura di sparo dei chiodi sul materiale da fissare e tenere saldamente l'utensile a stretto contatto con il materiale. Quindi, tirare la leva e tirare il grilletto per sparare i chiodi. L'impugnatura è ergonomica, in modo tale da permettere il sostegno della testa dell'utensile per mezzo di indice e pollice. Dopo aver sparato il chiodo, rilasciare totalmente il grilletto. (Fig. 14)

Qualora la testa del chiodo rimanga sulla superficie del materiale, sparare un chiodo tenendo saldamente la testa della chiodatrice.

NOTA:

- Qualora il grilletto venga tirato in seguito ad un rapida azione, la chiodatrice potrebbe non funzionare (momentaneamente) e di conseguenza, non sparare i chiodi. Questo non rappresenta un problema. In tal caso, rilasciare il grilletto, tirarlo e quindi procedere a sparare i chiodi.
- Qualora la chiodatrice venga utilizzata in modalità continua e la testa dei chiodi risulti sempre fuoriuscire dalla superficie del materiale da fissare, l'utensile potrebbe essere danneggiato nella parte relativa all'avvitatore, con relativo incastro di chiodi, ecc...

Rimozione di chiodi incastrati

AVVERTENZA:

- Prima di procedere alle operazioni di rimozione di chiodi incastrati, verificare sempre che la leva sia rilasciata e che la batteria sia stata rimossa. (Fig. 15)

Rimuovere la batteria dalla chiodatrice.

Estrarre i chiodi dallo scomparto della chiodatrice.

Allentare il bullone (A) e il bullone (B) facendoli ruotare di due giri per mezzo dell'apposita chiave esagonale fornita assieme all'utensile.

Rimuovere il coperchio guida avvitatore facendolo scorrere.

Rimuovere i chiodi, detriti, adesivi e trucioli di legno, ecc... causati dal passaggio del chiodo.

Ispezionare il coperchio guida avvitatore: deve risultare libero da chiodi o materiali estranei, quindi fissarlo per mezzo dei due bulloni.

MANUTENZIONE

ATTENZIONE:

- Prima di effettuare controlli o operazioni di manutenzione, verificare sempre di aver spento l'utensile e di aver rimosso la batteria.
- Evitare assolutamente di usare benzina, diluenti, solventi, alcol o sostanze simili. In caso contrario, potrebbero verificarsi scoloriture, deformazioni o incrinature.
- Al fine di garantire la SICUREZZA e l'AFFIDABILITÀ del prodotto, le riparazioni e qualsivoglia ulteriore operazione di manutenzione o regolazione devono essere eseguite dai centri di assistenza autorizzati Makita utilizzando sempre parti di ricambio Makita.

ACCESSORI OPZIONALI

ATTENZIONE:

- Si consiglia l'uso dei seguenti accessori per l'utensile Makita descritto in questo manuale. L'uso di qualsiasi altro accessorio potrebbe provocare lesioni personali. Utilizzare gli accessori esclusivamente per l'uso dichiarato.

Per l'assistenza e per ulteriori informazioni su tali accessori, rivolgersi al centro assistenza Makita di zona.

- Chiodi
- Diversi modelli di batterie e caricabatteria originali Makita
- Occhiali di protezione

NOTA:

- Alcuni degli accessori elencati potrebbero essere inclusi nella confezione dell'utensile come accessori standard. Gli accessori standard possono differire da paese a paese.

Rumore

ENG905-1

Il tipico livello di rumore ponderato "A" è determinato in conformità alla norma EN60745:

Modello DPT350Livello di pressione sonora (L_{pA}): 75 dB (A)

Variazione (K): 3 dB (A)

Il livello acustico in esercizio può superare 80 dB (A).

Modello DPT351Livello di pressione sonora (L_{pA}): 74 dB (A)

Variazione (K): 3 dB (A)

Il livello acustico in esercizio può superare 80 dB (A).

Indossare una protezione acustica.**Vibrazione**

ENG904-2

Il valore di emissione delle vibrazioni è determinato in conformità con la norma EN60745:

Emissione delle vibrazioni (a_h): 2,5 m/s² o inferioreVariazione (K): 1,5 m/s²

ENG901-1

- Il valore di emissione delle vibrazioni dichiarato è stato misurato in conformità con il metodo di test standard e può essere utilizzato per confrontare tra loro diversi utensili.
- Il valore dell'emissione delle vibrazioni dichiarato può anche essere usato per stime preliminari dell'esposizione.

⚠ AVVERTENZA:

- L'emissione delle vibrazioni durante l'uso effettivo dell'utensile elettrico può risultare diversa rispetto al valore dichiarato, in base alla modalità d'uso dell'utensile.
- Assicurarsi di individuare le necessarie misure di sicurezza per proteggere l'operatore in base a una stima dell'esposizione nelle condizioni reali di utilizzo (prendendo in considerazione tutte le fasi del ciclo operativo, come quante volte l'utensile viene spento e i periodi in cui rimane inattivo, oltre al tempo di avviamento).

Solo per i paesi europei

ENH101-15

Dichiarazione di conformità CE

Makita Corporation, in qualità di produttore responsabile, dichiara che le macchine Makita indicate di seguito:

Denominazione della macchina:

Chiodatrice a batteria

N. modello/Tipo: DPT350, DPT351

appartengono a una produzione in serie e

sono conformi alle seguenti direttive europee:

2006/42/EC

Sono inoltre prodotte in conformità con gli standard o i documenti standardizzati riportati di seguito:

EN60745

La documentazione tecnica viene conservata dal rappresentante autorizzato in Europa, ovvero:

Makita International Europe, Ltd.

Michigan Drive, Tongwell,

Milton Keynes, Bucks MK15 8JD, Inghilterra

22. 12. 2010



Tomoyasu Kato

Direttore

Makita Corporation

3-11-8, Sumiyoshi-cho,

Anjo, Aichi, 446-8502, JAPAN

NEDERLANDS (Originele instructies)

Verklaring van algemene gegevens

1. Rode deel	9. Lamp	17. Groef
2. Knop	10. Besturingsgeleider	18. Haak
3. Accu	11. Nietspijkers	19. Schroef
4. Trekker	12. Magazijn	20. Inbussleutel
5. Pal	13. Keuzeknop	21. Materiaal om te bevestigen
6. Schuifdeur	14. Uitsteeksel	22. Bout (B)
7. Bouten	15. Neusadapter	23. Bout (A)
8. Besturingsgeleiderdeksel	16. Houder	

TECHNISCHE GEGEVENS

Model	DPT350		DPT351	
Nietspijker grootte	0,6 x 18, 25, 30, 35 mm		0,6 x 18, 25, 30, 35 mm	
Nietspijker magazijn capaciteit	130 stuks		130 stuks	
Afmetingen (L x B x H)	227 mm x 79 mm x 245 mm		227 mm x 79 mm x 249 mm	
Accu	BL1415N	BL1430, BL1440, BL1450	BL1815, BL1815N, BL1820	BL1830, BL1840, BL1850
Nettogewicht	1,8 kg	2,0 kg	1,9 kg	2,1 kg
Nominale spanning	D.C. 14,4 V		D.C. 18 V	

- Als gevolg van ons doorlopende onderzoeks- en ontwikkelingsprogramma, zijn de technische gegevens van dit gereedschap onderhevig aan veranderingen zonder voorafgaande kennisgeving.
- Specificaties en accu's kunnen van land tot land verschillen.
- Gewicht, inclusief de accu, volgens de EPTA-procedure 01/2003


Gebruiksdoelinden

ENE068-1

Het gereedschap is bedoeld om nietspijkers in constructiematerialen te bevestigen zoals houtsoorten.

Algemene veiligheidswaarschuwingen voor elektrisch gereedschap

GEA010-1

 **WAARSCHUWING** Lees alle veiligheidswaarschuwingen en alle instructies. Het niet volgen van de waarschuwingen en instructies kan leiden tot elektrische schokken, brand en/of ernstig letsel.

Bewaar alle waarschuwingen en instructies om in de toekomst te kunnen raadplegen.

VEILIGHEIDSWAARSCHUWINGEN SPECIFIEK VOOR EEN ACCUNAGELPISTOOL

GEB090-1

1. **Ga er altijd vanuit dat in het gereedschap bevestigingsmiddelen zitten.** Onzorgvuldig omgaan met het nagelpistool kan resulteren in onverwacht afschieten van bevestigingsmiddelen waardoor persoonlijk letsel kan ontstaan.
2. **Richt het gereedschap niet op uzelf of iemand in de buurt.** Onverwacht de trekker overhalen vuurt bevestigingsmiddelen af en leidt tot letsel.
3. **Schakel het gereedschap niet in als dit niet stevig tegen het werkstuk wordt gedrukt.** Als het

gereedschap niet in contact staat met het werkstuk, kan het bevestigingsmiddel van het doel afbuigen.

4. **Haal de stroom van het gereedschap als een bevestigingsmiddel in het gereedschap vastzit.** Tijdens het verwijderen van een vastzittend bevestigingsmiddel, kan het nagelpistool per ongeluk geactiveerd worden als het van stroom wordt voorzien.
5. **Wees dus voorzichtig bij het verwijderen van een vastzittend bevestigingsmiddel.** Het mechanisme kan onder druk staan en het bevestigingsmiddel kan met kracht eruit komen terwijl u probeert de verstopping te verwijderen.
6. **Gebruik het nagelpistool niet voor het bevestigen van elektriciteitskabels.** Het is niet ontworpen voor de installatie van elektriciteitskabels en kan de isolatie van de elektriciteitskabels beschadigen en hierdoor elektrische schokken of brandgevaar veroorzaken.
7. **Gebruik altijd een beschermende bril of een veiligheidsbril met zijstukken en een spatscherm als dat nodig is.**
8. **Houd handen en voeten uit de buurt van de schietmond.**
9. **Verwijder altijd de accu voordat u nieuwe bevestigingsmiddelen laadt, tijdens afstellen, inspectie, onderhoud of nadat het werk is voltooid.**
10. **Controleer voor het bedienen dat niemand dichtbij staat. Probeer nooit tegelijkertijd van binnenuit en van buitenaf bevestigingsmiddelen in een muur te schieten.** De bevestigingsmiddelen kunnen er dwars doorheen schieten of afketsen en een groot gevaar opleveren.
11. **Zorg ervoor dat u tijdens het gebruik van het gereedschap stevig staat en uw evenwicht goed**

- bewaart. Zorg ervoor dat niemand onder u staat als u op hogere locaties werkt.
12. Controleer muren, plafonds, vloeren en dergelijke grondig om te voorkomen dat door het nagelen in elektrische draden, pijpen of gasleidingen een elektrische schok, gaslek, explosie, enz. kan ontstaan.
 13. Gebruik uitsluitend bevestigingsmiddelen die in deze gebruiksaanwijzing worden aangegeven. Door een ander soort bevestigingsmiddel te gebruiken, kan een storing in het gereedschap worden veroorzaakt.
 14. Knoei niet aan het gereedschap en gebruik het niet voor een ander doeleinde dan voor het aanbrengen van bevestigingsmiddelen.
 15. Bedien het gereedschap niet zonder dat er bevestigingsmiddelen in zitten. De levensduur van het gereedschap zal hierdoor korter worden.
 16. Stop onmiddellijk met bevestigen als u een probleem of iets vreemds opmerkt aan het gereedschap.
 17. Breng nooit bevestigingsmiddelen aan in materialen waarvan de bevestigingsmiddelen het materiaal kunnen doorboren en er doorheen kunnen vliegen.
 18. Activeer nooit op hetzelfde moment de trekker en de veiligheidspal tot u er klaar voor bent om een bevestigingsmiddel aan te brengen in het materiaal. Laat het werkstuk de veiligheidspal indrukken. Doe het doel van het apparaat niet teniet door de veiligheidspal terug te duwen of door handmatig de druk eraf te halen.
 19. Knoei nooit aan de veiligheidspal. Controleer de veiligheidspal regelmatig voor een juiste toepassing.

BEWAAR DEZE INSTRUCTIES.

WAARSCHUWING:

Laat u NIET misleiden door een vals gevoel van comfort en bekendheid met het gereedschap (na veelvuldig gebruik) en neem alle veiligheidsvoorschriften van het betreffende product altijd strikt in acht. VERKEERD GEBRUIK of het niet volgen van de veiligheidsinstructies in deze gebruiksaanwijzing kan leiden tot ernstig persoonlijk letsel.

BELANGRIJKE VEILIGHEIDSinSTRUCTIES ENC007-8

VOOR ACCU'S

1. Alvorens de accu in gebruik te nemen, leest u eerst alle instructies en waarschuwingsopdrachten op (1) de acculader, (2) de accu en (3) het apparaat waarin de accu wordt aangebracht.
2. Haal de accu niet uit elkaar.
3. Als de gebruikstijd aanzienlijk korter is geworden, stopt u onmiddellijk met het gebruik. Anders kan dit leiden tot kans op oververhitting, mogelijke brandwonden en zelfs een explosie.

4. Als de elektrolyt in uw ogen komt, wast u deze uit met schoon water en raadpleegt u onmiddellijk een arts. Dit kan leiden tot verlies van gezichtsvermogen.
5. Sluit de accu niet kort:
 - (1) Raak de accupolen niet aan met enig geleidend materiaal.
 - (2) Bewaar de accu niet op een plaats waar deze in aanraking kan komen met andere metalen voorwerpen, zoals spijkers, munten, enz.
 - (3) Stel de accu niet bloot aan water of regen. Kortsluiting van de accu kan leiden tot een hoge stroomsterkte, oververhitting, mogelijke brandwonden en zelfs een defect.
6. Bewaar het gereedschap en de accu niet op plaatsen waar de temperatuur kan oplopen tot 50 °C of hoger.
7. Werp de accu niet in een vuur, zelfs niet als deze al ernstig beschadigd of helemaal versleten is. De accu kan in een vuur exploderen.
8. Wees voorzichtig dat u de accu niet laat vallen of ergens tegenaan stoot.
9. Gebruik nooit een beschadigde accu.
10. Neem de plaatselijke regelgeving met betrekking tot het weggooien van de accu in acht.

BEWAAR DEZE INSTRUCTIES.

Tips voor een lange levensduur van de accu

1. Laad de accu op voordat deze volledig leeg is. Wanneer u merkt dat het gereedschap minder vermogen heeft, stopt u met het gebruik ervan en laadt u eerst de accu op.
2. Laad nooit een volledig opgeladen accu op. Te lang opladen verkort de levensduur van de accu.
3. Laad de accu op bij een omgevingstemperatuur van 10 °C tot 40 °C. Laat een warme accu eerst afkoelen voordat u deze oplaadt.
4. Laad de accu ieder half jaar op als u deze gedurende een lange tijd niet gebruikt.

BESCHRIJVING VAN DE FUNCTIES

LET OP:

- Controleer altijd of het gereedschap is uitgeschakeld en de accu is verwijderd alvorens de functies van het gereedschap te controleren of af te stellen.

De accu aanbrengen en verwijderen (zie afb. 1)

- Schakel het gereedschap altijd uit voordat u de accu aanbrengt of verwijdert.
- Om de accu te verwijderen verschuift u de knop aan de voorkant van de accu en schuift u tegelijkertijd de accu van het gereedschap af.
- Om de accu aan te brengen lijnt u de lip op de accu uit met de groef in de behuizing en duwt u de accu op zijn plaats. Steek de accu zo ver mogelijk in het gereedschap tot u een klikgeluid hoort. Als u het rode deel aan de bovenkant van de knop kunt zien, is de

accuadapter niet goed aangebracht. Breng de accuadapter zo ver mogelijk aan tot het rode deel niet meer zichtbaar is. Als u dit niet doet, kan de accu per ongeluk uit het gereedschap vallen en u of anderen in uw omgeving verwonden.

- Oefen geen grote kracht uit bij het aanbrengen van de accu. Als de accu niet gemakkelijk erin kan worden geschoven, wordt deze niet goed aangebracht.

Veiligheidssysteem

WAARSCHUWING:

- Controleer voor gebruik dat alle beveiligingssystemen goed werken. Als u dat niet doet, kan dit resulteren in letsel (zie afb. 2).

Test veiligheidssystemen als volgt op mogelijke defecte werking voordat u nagelt.

1. Zorg dat er geen nietspijkers in het apparaat zitten voor u test.
2. Duw de schuifdeur van het magazijn naar u toe (zie afb. 3).
3. Het apparaat kan per ongeluk werken als de trekker naar achteren wordt gehaald, als de pal niet naar achter gehaald.
4. Het apparaat werkt niet als de trekker naar achter wordt gehaald en de pal is ook naar achteren gehaald.

In het geval van 3 of 4 hierboven is het veiligheidssysteem defect.

Trekker en pal

LET OP:

- Controleer altijd, voordat u de accu in het gereedschap steekt, of de aan/uit-schakelaar op de juiste manier schakelt en weer terugkeert naar de uit-stand nadat deze is losgelaten (zie afb. 4).

Het apparaat is voorzien van een pal als veiligheidssysteem bovenop de normale trekker (zie afb. 5).

Om nietspijkers af te vuren, trekt u eerst aan de pal en daarna aan de trekker.

Afstellen van de nietspijker diepte

WAARSCHUWING:

- Zorg er altijd voor dat uw vingers niet zijn geplaatst op de trekker of pal en dat de accu is verwijderd voordat u het nagelpistool laadt (zie afb. 6).

De diepte van de nietspijkers kan worden afgesteld op dit nagelpistool. Draai twee bouten een kwartslag met gebruik van de meegeleverde inbussleutel waarna de besturinggeleiderdeksel naar beneden of boven schuift.

De diepte kan worden afgesteld van 1,5 mm tot het maximum. Bevestig het stevig met twee bouten op de gewenste diepte.

Het verlichten van de lampen

LET OP:

- Kijk niet rechtstreeks in het licht of naar de bron van de lamp (zie afb. 7).

Trek aan de pal om de lamp in te schakelen. Laat de pal los om de lamp uit te schakelen.

OPMERKING:

- Gebruik een doek om het vuil van de lens van de lamp te vegen. Wees voorzichtig dat u de lens van de lamp niet bekrast om de lichtopbrengst niet te verlagen.
- Zelfs als de lamp oplicht als de accustroom vermindert, kan het voorkomen dat het nagelpistool geen nietspijkers kan afvuren. Als dat gebeurt, moet u de accu opladen.

Anti-leeg afvuur apparaat

LET OP:

- Zorg er altijd voor dat uw vingers niet zijn geplaatst op de trekker of pal en dat de accu is verwijderd voordat u het nagelpistool laadt.

Als het aantal overgebleven nietspijkers in het magazijn 0 - 3 stuks betreft, kunt u de trekker niet meer naar achteren halen. U moet dan een nieuwe strip nietspijkers in het magazijn inbrengen waarna u de trekker weer naar achteren kunt halen.

OPMERKING:

- Als u een andere lengte nietspijkers afvuurt, kort nadat u het anti leeg afvuur apparaat heeft geactiveerd, breng dan een nieuwe strip nietspijkers in het magazijn en vuur alle overgebleven nietspijkers af in afvalmateriaal.

ONDERDELEN AANBRENGEN/ VERWIJDEREN

LET OP:

- Zorg er altijd voor dat uw vingers niet zijn geplaatst op de trekker of pal en dat de accu is verwijderd voordat u het nagelpistool gaat gebruiken.

Het laden van het nagelpistool

LET OP:

- Zorg er altijd voor dat uw vingers niet zijn geplaatst op de trekker of pal en dat de accu is verwijderd voordat u het nagelpistool laadt.
- Schuif niet abrupt met een volgeladen magazijn van het nagelpistool. Het per ongeluk laten vallen van nietspijkers, zeker als u vanaf een hoogte werkt, kan leiden tot persoonlijk letsel.
- Laad de nietspijkers in de juiste volgorde. Het laden van nietspijkers in de verkeerde richting kan leiden tot slijtage van de besturing en schade aan andere delen (zie afb. 8).

Verwijder de accu.

Druk op de keuzeknop en schuif het magazijn.

Plaats de nietspijkers tegen het magazijn en breng het helemaal in de gleuf. (Zorg dat u de nietspijkers in de juiste richting plaatst.)

Breng de nietspijkers tot achter in de besturinggeleider met de nietspijkers in deze positie.

Plaats het magazijn terug in zijn oorspronkelijke stand en vergrendel het met de keuzeknop.

LET OP:

- Gebruik geen misvormde nietspijkers. Gebruik uitsluitend nagels die in deze gebruiksaanwijzing worden aangegeven. Het gebruik van andere nietspijkers dan zoals aangegeven kan zorgen voor

een opstopping van nietspijkers en het breken van het nagelpistool.

Legen van het nagelpistool

LET OP:

- Zorg er altijd voor dat uw vingers niet zijn geplaatst op de trekker of pal en dat de accu is verwijderd bij het verwijderen van de nietspijkers. Verkeerd afschieten kan resulteren in persoonlijk letsel en beschadiging aan eigendommen.

Verwijder de accu.

Druk op de keuzeknop en schuif het magazijn.

Verwijder de nietspijkers uit de gleuf van het magazijn.

Neusadapter

LET OP:

- Zorg er altijd voor dat uw vingers niet zijn geplaatst op de trekker of pal en dat de accu is verwijderd voordat u de neusadapter bevestigd (zie afb. 9).

Gebruik de neusadapter bij het afvuren van nietspijkers in materialen met moeilijke oppervlaktes. Om de neusadapter te installeren plaatst u het de besturingsgeleiderdeksel zodat het uitsteeksel in de neusadapter past in de gleuf van de besturingsgeleiderdeksel.

Berg de neusadapter in de houder aan het einde van het magazijn als u het niet gebruikt zodat hij niet kwijtraakt.

Haak

LET OP:

- Zorg er altijd voor dat uw vingers niet zijn geplaatst op de trekker of pal en dat de accu is verwijderd voordat u de haak gebruikt (zie afb. 10).

LET OP:

- Hang de haak niet aan de taillieriem. Het laten vallen van het nagelpistool, wat kan gebeuren als de haak per ongeluk verschuift, kan leiden tot verkeerd afvuren en persoonlijk letsel (zie afb. 11).

De haak is handig om het gereedschap tijdelijk aan op te hangen.

De haak kan aan beide kanten van het gereedschap worden bevestigd.

U bevestigt de haak door deze in een groef in de behuizing van het gereedschap te steken en vast te zetten met een schroef.

Om de haak te verwijderen, draait u de schroef los en haalt u de haak van het gereedschap af.

Opbergplaats van de inbusleutel (zie afb. 12)

Wanneer u de inbusleutel niet gebruikt, bergt u deze op de plaats aangegeven in de afbeelding op, om te voorkomen dat deze wordt verloren.

BEDIENING

Afvuren van nietspijkers

WAARSCHUWING:

- Voordat u de trekker overhaalt, moet u ervoor zorgen dat de opening waar de nietspijkers uit komen het

materiaal waarin moet worden geniet, raakt. Door het overhalen van de trekker vuurt u nietspijkers af.

Verkeerd afvuren kan leiden tot persoonlijk letsel (zie afb. 13).

Plaats de opening van het gereedschap waarmee u de nietspijkers in het materiaal waarin moet worden geniet, vlak en houd het gereedschap stevig tegen het materiaal gedrukt. Druk dan de pal en daarna de trekker helemaal terug om een nietspijker af te vuren. De handgreep is zo gevormd dat het gereedschap veilig naar beneden kan worden gehouden met de wijsvinger en de duim. Nadat u een nietspijker heeft afgevuurd, moet u de trekker volledig loslaten (zie afb. 14).

Als de kop van de aangebrachte nietspijker boven het oppervlak van het materiaal blijft, schiet u de nietspijkers terwijl u de gereedschapkop stevig vasthoudt.

OPMERKING:

- Als de trekker wordt overgehaald na een snelle trekkeractie, kan het zijn dat het nagelpistool niets doet en geen nietspijkers afschiet. Dit is geen probleem. Laat de trekker dan los, trek hem weer naar achteren en de nietspijkers kunnen worden afgevuurd.
- Het gebruik van het nagelpistool waarbij de koppen van de afgevuurde nietspijkers steeds boven het oppervlak blijven, kan resulteren in schade aan de besturing van het nagelpistool, het verstoppert van nietspijkers etc.

Verwijderen van verstopte nietspijkers

WAARSCHUWING:

- Zorg er altijd voor dat de pal los is en dat de accu is verwijderd voordat u vastgelopen nietspijkers verwijderd (zie afb. 15).

Verwijder de accu uit het nagelpistool.

Verwijder de nietspijkers die in het magazijn zijn gebleven.

Maak bout (A) en (B) los door ze ongeveer twee keer om te draaien met de inbusleutel die bij het nagelpistool is geleverd.

Verwijder de besturingsgeleiderdeksel door het weg te schuiven.

Verwijder stukke nietspijkers, afval, plaksel, houtsnippers etc. uit de nietspijkerleuf.

Controleer de besturingsgeleiderdeksel op stukke nietspijkers of ander materiaal en bevestig het daarna weer met de twee bouten.

ONDERHOUD

LET OP:

- Zorg er altijd voor dat de machine is uitgeschakeld en de accu is verwijderd, voordat u een inspectie of onderhoud uitvoert.
- Gebruik nooit benzine, wasbenzine, thinner, alcohol, enz. Dit kan leiden tot verkleuren, vervormen of barsten.
- Om de VEILIGHEID en BETROUWBAARHEID van het gereedschap te handhaven, dienen alle reparaties, onderhoud en afstellingen te worden uitgevoerd door een erkend Makita-servicecentrum, en altijd met gebruikmaking van originele Makita-ervangingsonderdelen.

VERKRIJGBARE ACCESSOIRES

Alleen voor Europese landen
EU-verklaring van conformiteit

ENH101-15

LET OP:

- Deze accessoires of hulpstukken worden aanbevolen voor gebruik met het Makita-gereedschap dat in deze gebruiksaanwijzing wordt beschreven. Het gebruik van andere accessoires of hulpstukken kan gevaar voor persoonlijk letsel opleveren. Gebruik de accessoires of hulpstukken uitsluitend voor de aangegeven gebruiksdoeleinden.

Mocht u meer informatie willen hebben over deze accessoires, dan kunt u contact opnemen met uw plaatselijke Makita-servicecentrum.

- Nietspijkers
- Diverse types originele Makita-accu's en acculaders
- Veiligheidsbril

OPMERKING:

- Sommige items op de lijst kunnen zijn inbegrepen in de doos van het gereedschap als standaard toebehoren. Zij kunnen van land tot land verschillen.

Wij, Makita Corporation, als de verantwoordelijke fabrikant, verklaren dat de volgende Makita-machine(s):

Aanduiding van de machine:
Accunagelpistool
Modelnr./Type: DPT350, DPT351
in serie is geproduceerd en

Voldoet aan de volgende Europese richtlijnen:
2006/42/EC

En is gefabriceerd in overeenstemming met de volgende normen of genormaliseerde documenten:

EN60745

De technische documentatie wordt bewaard door onze erkende vertegenwoordiger in Europa, te weten:

Makita International Europe Ltd.
Michigan Drive, Tongwell,
Milton Keynes, Bucks MK15 8JD, Engeland

22. 12. 2010

Geluid ENG905-1
De typische, A-gewogen geluidsniveaus zijn gemeten volgens EN60745:

Model DPT350

Geluidsdrukniveau (L_{pA}): 75 dB (A)
Onzekerheid (K): 3 dB (A)

Het geluidsniveau kan tijdens gebruik hoger worden dan 80 dB (A).

Model DPT351

Geluidsdrukniveau (L_{pA}): 74 dB (A)
Onzekerheid (K): 3 dB (A)

Het geluidsniveau kan tijdens gebruik hoger worden dan 80 dB (A).

Draag gehoorbescherming.

Trilling ENG904-2
De trillingsemisiewaarde is bepaald volgens EN60745:

Trillingsemisie (a_h): 2,5 m/s² of minder
Onzekerheid (K): 1,5 m/s²

ENG901-1

- De opgegeven trillingsemisiewaarde is gemeten volgens de standaardtestmethode en kan worden gebruikt om dit gereedschap te vergelijken met andere gereedschappen.
- De opgegeven trillingsemisiewaarde kan ook worden gebruikt voor een beoordeling vooraf van de blootstelling.

WAARSCHUWING:

- De trillingsemisie tijdens het gebruik van het elektrisch gereedschap in de praktijk kan verschillen van de opgegeven trillingsemisiewaarde afhankelijk van de manier waarop het gereedschap wordt gebruikt.
- Zorg ervoor dat veiligheidsmaatregelen worden getroffen ter bescherming van de operator die zijn gebaseerd op een schatting van de blootstelling onder praktijkomstandigheden (rekening houdend met alle fasen van de bedrijfscyclus, zoals de tijdsduur gedurende welke het gereedschap is uitgeschakeld en stationair draait, naast de ingeschakelde tijdsduur).



Tomoyasu Kato
Directeur
Makita Corporation
3-11-8, Sumiyoshi-cho,
Anjo, Aichi, 446-8502 JAPAN

ESPAÑOL (Instrucciones originales)

Explicación de los dibujos

- | | | |
|-----------------------------------|---------------------------|--------------------------------|
| 1. Indicador rojo | 9. Lámpara | 17. Canal de guía |
| 2. Botón | 10. Resorte de empuje | 18. Gancho |
| 3. Cartucho de la batería | 11. Clavos sin cabeza | 19. Tornillo |
| 4. Disparador | 12. Depósito alimentador | 20. Llave Allen |
| 5. Palanca | 13. Palanca de bloqueo | 21. Material que se va a fijar |
| 6. Cubierta deslizante | 14. Saliente | 22. Perno (B) |
| 7. Pernos | 15. Adaptador de boquilla | 23. Perno (A) |
| 8. Cubierta del resorte de empuje | 16. Soporte | |

ESPECIFICACIONES

Modelo	DPT350		DPT351	
Tamaño del clavo sin cabeza	0,6 x 18, 25, 30, 35 mm		0,6 x 18, 25, 30, 35 mm	
Capacidad del depósito alimentador de clavos sin cabeza	130 piezas		130 piezas	
Dimensiones (Largo x Ancho x Alto)	227 mm x 79 mm x 245 mm		227 mm x 79 mm x 249 mm	
Cartucho de la batería	BL1415N	BL1430, BL1440, BL1450	BL1815, BL1815N, BL1820	BL1830, BL1840, BL1850
Peso neto	1,8 kg	2,0 kg	1,9 kg	2,1 kg
Tensión nominal	CC de 14,4 V		CC de 18 V	

- Debido a nuestro programa continuo de investigación y desarrollo, las especificaciones aquí descritas están sujetas a cambios sin previo aviso.
- Las especificaciones y el cartucho de la batería pueden variar de un país a otro.
- Peso, con el cartucho de la batería, de acuerdo con el procedimiento EPTA 01/2003

Uso previsto

La herramienta está diseñada para clavar clavos sin cabeza en materiales de construcción tales como la madera.

Advertencias de seguridad generales para herramientas eléctricas

⚠ ADVERTENCIA Lea todas las advertencias de seguridad y todas las instrucciones. La no observancia de las advertencias y las instrucciones puede provocar descargas eléctricas, incendios y/o lesiones graves.

Guarde todas las advertencias e instrucciones para futuras consultas.

ADVERTENCIAS DE SEGURIDAD DE LA CLAVADORA INALÁMBRICA

1. **Asuma siempre que la herramienta contiene clavos.** Un manejo descuidado de la clavadora puede provocar el disparo accidental de clavos y lesiones personales.
2. **No apunte la herramienta hacia usted mismo ni hacia nadie más que esté cerca.** Un disparo accidental descargará un clavo, que provocará lesiones.
3. **No accione la herramienta a menos que la tenga puesta firmemente contra la pieza de trabajo.** Si la

herramienta no está en contacto con la pieza de trabajo, el clavo puede desviarse del objetivo.

4. **Desconecte la herramienta del suministro eléctrico cuando se atasque un clavo en la herramienta.** Mientras despeje el atasco del clavo, la clavadora puede activarse accidentalmente si está enchufada.
5. **Tenga mucho cuidado cuando despeje el atasco de un clavo.** El mecanismo puede estar comprimido y el clavo puede salir despedido al intentar despejar el atasco.
6. **No utilice esta clavadora para clavar cables eléctricos.** No está diseñada para la instalación de cables eléctricos, puede dañar el aislamiento de los cables eléctricos y provocar una descarga eléctrica o riesgo de fuego.
7. **Póngase siempre gafas de seguridad o gafas de seguridad con protectores laterales y una careta protectora completa cuando sea necesario.**
8. **Mantenga las manos y pies alejados del área del puerto de expulsión.**
9. **Extraiga siempre el cartucho de la batería antes de cargar los clavos, realizar ajustes, inspecciones, mantenimiento o tras finalizar su uso.**
10. **Asegúrese de que no haya nadie cerca antes de su uso. No intente nunca clavar clavos desde el interior y exterior de la pared al mismo tiempo.** Los clavos podrían atravesar los materiales y/o salir disparados, presentando un grave peligro.
11. **Observe el suelo donde pisa y mantenga su equilibrio con la herramienta.** Cuando trabaje en una ubicación elevada asegúrese de que nadie se encuentre debajo.

12. Compruebe las paredes, techos, suelos, techumbres y elementos similares con cuidado para evitar descargas eléctricas, fugas de gas, explosiones, etc., ocasionadas por la perforación de cables con tensión, conductos o tuberías de gas.
13. Utilice solamente los clavos especificados en este manual. La utilización de otros clavos puede ocasionar un mal funcionamiento de la herramienta.
14. No manipule la herramienta ni intente utilizarla para ningún otro fin que no sea clavar clavos.
15. No utilice la herramienta sin clavos. Se acortará la vida útil de la herramienta.
16. Pare inmediatamente la operación de clavado si nota algo incorrecto o fuera de lo normal en la herramienta.
17. Nunca clave clavos en materiales que puedan permitir que el clavo los perforo y salga despedido como un proyectil.
18. Nunca accione el interruptor disparador y la palanca de seguridad al mismo tiempo hasta que esté preparado para clavar piezas de trabajo. Deje que la pieza de trabajo ejerza presión sobre la palanca de seguridad. Nunca impida su funcionamiento fijando la palanca de seguridad hacia atrás ni tirando de ella con la mano.
19. No manipule nunca la palanca de seguridad. Compruebe el funcionamiento correcto de la palanca de seguridad frecuentemente.

GUARDE ESTAS INSTRUCCIONES.

⚠ ADVERTENCIA:

NO deje que la comodidad o la familiaridad con el producto (a base de utilizarlo repetidamente) sustituya la estricta observancia de las normas de seguridad del producto en cuestión. El MAL USO o la no observancia de las normas de seguridad expuestas en este manual de instrucciones pueden ocasionar graves daños corporales.

INSTRUCCIONES DE SEGURIDAD IMPORTANTES

ENC007-8

PARA EL CARTUCHO DE LA BATERÍA

1. Antes de utilizar el cartucho de la batería, lea todas las instrucciones y referencias de precaución que se encuentran en (1) el cargador de baterías, (2) la batería y (3) el producto que utiliza la batería.
2. No desmonte el cartucho de la batería.
3. Si el tiempo de funcionamiento es excesivamente corto, deje de utilizar la herramienta de inmediato. De lo contrario, existe el riesgo de sobrecalentamiento, quemaduras e incluso explosión.
4. Si se produce contacto ocular con electrolito, enjuáguese los ojos con agua limpia y acuda de

urgencia al médico. Corre el riesgo de perder la visión.

5. No cortocircuite el cartucho de la batería:
 - (1) No toque los terminales con material conductor.
 - (2) Evite guardar el cartucho de la batería en un recipiente con otros objetos metálicos, como clavos, monedas, etc.
 - (3) No exponga el cartucho de la batería al agua o a la lluvia.

Un cortocircuito puede provocar un elevado flujo de corriente, sobrecalentamiento, quemaduras o incluso una avería.
6. No almacene la herramienta ni el cartucho de la batería en lugares donde la temperatura supere los 50 °C (122 °F).
7. No queme el cartucho de la batería aunque esté gravemente dañado o completamente gastado. El cartucho de la batería puede explotar si entra en contacto con fuego.
8. Procure que la batería no sufra golpes ni caídas.
9. No utilice una batería dañada.
10. Siga las normativas locales relativas al desecho de la batería.

GUARDE ESTAS INSTRUCCIONES.

Consejos para conseguir una mayor duración de la batería

1. Cargue la batería antes de que se descargue por completo. Cuando observe que la herramienta tiene menos potencia, deje de utilizarla y cargue el cartucho de la batería.
2. No recargue nunca un cartucho de batería completamente cargado. La sobrecarga acorta la vida útil de la batería.
3. Cargue el cartucho de la batería a una temperatura ambiente que oscile entre 10 °C y 40 °C (50 °F - 104 °F). Antes de cargar un cartucho de batería caliente, deje que se enfríe.
4. Cargue la batería una vez cada seis meses si no la utiliza durante un período de tiempo prolongado.

DESCRIPCIÓN DEL FUNCIONAMIENTO

⚠ PRECAUCIÓN:

- Asegúrese siempre de apagar la herramienta y extraer el cartucho de la batería antes de intentar realizar cualquier tipo de ajuste o comprobación en ella.

Instalación o extracción del cartucho de la batería (Fig. 1)

- Apague siempre la herramienta antes de instalar o extraer el cartucho de la batería.
- Para quitar el cartucho de la batería, mantenga pulsado el botón de la parte frontal del cartucho y retírelo.
- Para instalar el cartucho de la batería, alinee la lengüeta situada en el cartucho de la batería con la

- ranura del alojamiento e insértela. Insértela completamente hasta que quede firmemente sujeta y se bloquee con un clic. Si puede ver el indicador rojo de la zona superior del botón, significa que el cartucho no está completamente bloqueado. Instálelo completamente hasta que el indicador rojo quede oculto. De lo contrario, el cartucho puede desprenderse accidentalmente de la herramienta y causar lesiones al operario o a alguna persona que se encuentre cerca.
- No haga fuerza al instalar el cartucho de la batería. Si no se inserta suavemente, significa que no lo está instalando correctamente.

Sistema de seguridad

ADVERTENCIA:

- Asegúrese de que todos los sistemas de seguridad están en condiciones de funcionamiento antes de su utilización. De lo contrario, pueden producirse heridas. (Fig. 2)

Antes de clavar los clavos sin cabeza, pruebe los sistemas de seguridad de la siguiente manera para ver si existe algún fallo.

1. Asegúrese de que la herramienta no esté cargada con clavos sin cabeza antes de la prueba.
2. Tire de la cubierta deslizante del depósito alimentador hacia usted. (Fig. 3)
3. La herramienta se pone en marcha accidentalmente si sólo se tira del disparador aunque no se tire de la palanca.
4. La herramienta no funciona cuando se tira del disparador mientras se tira de la palanca.

En los casos 3 y 4 anteriores, los sistemas de seguridad están defectuosos.

Disparador y palanca

PRECAUCIÓN:

- Antes de insertar el cartucho de la batería en la herramienta, asegúrese siempre de que el interruptor disparador funciona como es debido y que vuelve a la posición "OFF" (apagado) al soltarlo. (Fig. 4)

La herramienta se proporciona con una palanca como sistema de seguridad además del disparador habitual. (Fig. 5)

Para clavar clavos sin cabeza primero debe tirar de la palanca y después del disparador.

Ajuste de la profundidad de clavado

ADVERTENCIA:

- Asegúrese siempre de que sus dedos no estén sobre el disparador o la palanca y que el cartucho de la batería se haya extraído antes de cargar la clavadora inalámbrica. (Fig. 6)

En esta clavadora se puede ajustar la profundidad de clavado. Gire los dos pernos un cuarto usando la llave Allen proporcionada con la herramienta y la cubierta del resorte de empuje se deslizará hacia arriba o hacia abajo. La profundidad se puede ajustar 1,5 mm como máximo. Cuando logre la profundidad deseada, fíjelo con los dos pernos firmemente.

Encender las lámparas

PRECAUCIÓN:

- No mire hacia la luz ni mire directamente hacia la fuente de luz. (Fig. 7)

Para encender la lámpara, tire de la palanca. Suelte la palanca para apagarla.

NOTA:

- Utilice un paño seco para limpiar la suciedad del cristal de la lámpara. Procure no rayar el cristal de la lámpara, puesto que puede disminuir el grado de iluminación.
- Aunque la lámpara se encienda cuando la carga de la batería sea baja, es posible que la clavadora no pueda clavar clavos sin cabeza. En ese caso, cargue el cartucho de la batería.

Dispositivo contra el disparo accidental

PRECAUCIÓN:

- Asegúrese siempre de que sus dedos no estén sobre el disparador o la palanca y que el cartucho de la batería se haya extraído antes de cargar la clavadora inalámbrica.

Cuando el número de clavos sin cabeza restantes en el depósito de alimentación esté entre 0 y 3 piezas, no se podrá tirar del disparador. En ese caso, inserte una nueva tira de clavos sin cabeza en el depósito alimentador y el disparador se volverá a poder accionar.

NOTA:

- Cuando dispare clavos sin cabeza de longitud diferente al poco rato de que haya actuado el dispositivo contra disparo accidental, inserte una nueva tira de clavos sin cabeza en el depósito alimentador y dispare todos los clavos sin cabeza anteriores que hayan quedado sobre material de desecho.

MONTAJE

PRECAUCIÓN:

- Asegúrese siempre de que sus dedos no estén sobre el disparador o la palanca y que el cartucho de la batería se haya extraído antes de realizar cualquier trabajo en la clavadora.

Carga de la clavadora

PRECAUCIÓN:

- Asegúrese siempre de que sus dedos no estén sobre el disparador o la palanca y que el cartucho de la batería se haya extraído antes de cargar la clavadora inalámbrica.
- No deslice bruscamente el depósito alimentador de la clavadora cargado con clavos sin cabeza. La caída accidental de clavos sin cabeza, especialmente cuando se trabaja en ubicaciones elevadas puede provocar lesiones personales.
- Cargue los clavos sin cabeza en la dirección correcta. La carga en la dirección incorrecta puede provocar un desgaste prematuro, la rotura del resorte de empuje y daños en otras piezas. (Fig. 8)

Extraiga el cartucho de la batería.

Pulse la palanca de bloqueo y deslice el depósito alimentador.

Coloque los clavos sin cabeza contra el depósito alimentador e insértelos en la abertura hasta el final. (Tenga cuidado de colocar los clavos sin cabeza en la dirección correcta.)

Manteniendo los clavos sin cabeza en esta posición, insértelos hasta el final en el resorte de empuje. Devuelva el depósito alimentador a la posición original y bloquéelo con la palanca de bloqueo.

PRECAUCIÓN:

- No utilice clavos sin cabeza que estén conectados y deformados. Utilice solamente los clavos sin cabeza especificados en este manual. El uso de clavos sin cabeza que no sean los especificados puede provocar atascos de clavos y la rotura de la clavadora.

Descarga de la clavadora

PRECAUCIÓN:

- Cuando extraiga clavos sin cabeza, asegúrese siempre de que sus dedos no estén sobre el disparador o la palanca y que el cartucho de la batería se haya extraído de la clavadora. Un disparo incorrecto puede provocar daños personales y materiales.

Extraiga el cartucho de la batería.

Pulse la palanca de bloqueo y deslice el depósito alimentador.

Retire los clavos sin cabeza de la apertura del depósito alimentador.

Adaptador de boquilla

PRECAUCIÓN:

- Asegúrese siempre de que sus dedos no estén sobre el disparador o la palanca y que el cartucho de la batería se haya extraído antes de montar el adaptador de boquilla. (Fig. 9)

Cuando dispare clavos sin cabeza sobre materiales con superficies que se estropean fácilmente, utilice el adaptador de boquilla. Para instalar el adaptador de boquilla, colóquelo sobre la cubierta del resorte de empuje para que el saliente dentro del adaptador de boquilla encaje en la apertura de la cubierta del resorte de empuje.

Cuando no lo utilice, guarde el adaptador de boquilla en la parte posterior del depósito alimentador para evitar que se pierda.

Gancho

PRECAUCIÓN:

- Asegúrese siempre de que sus dedos no estén sobre el disparador o la palanca y que el cartucho de la batería se haya extraído antes de usar el gancho. (Fig. 10)

PRECAUCIÓN:

- No cuelgue el gancho del cinturón. Si la clavadora se cae, lo que puede suceder si el gancho se sale de su lugar accidentalmente, se puede provocar un disparo accidental y lesiones personales. (Fig. 11)

El gancho es útil para colgar la herramienta.

Puede instalarse en cualquier lado de la herramienta.

Para instalar el gancho, insértelo en una de las ranuras situadas a ambos lados de la herramienta y, a continuación, fíjelo con un tornillo.

Para extraerlo, afloje el tornillo y quítelo.

Almacenamiento de la llave Allen (Fig. 12)

Cuando no la utilice, guarde la llave Allen como se muestra en la figura para evitar que se pierda.

MANEJO

Clavar clavos sin cabeza

ADVERTENCIA:

- Antes de tirar del disparador, asegúrese siempre de que los clavos sin cabeza hagan contacto con el material que se debe fijar. Sólo con tirar del disparador se disparan los clavos. Un disparo erróneo puede provocar lesiones personales. (Fig. 13)

Coloque la abertura de la herramienta por la que se disparan los clavos plana sobre el material que se debe fijar y sujete la herramienta firmemente contra el material.

A continuación, tire de la palanca y vuelva a tirar completamente del disparador para clavar el clavo. La empuñadura tiene una forma que permite sujetar la herramienta firmemente con el dedo índice y el pulgar.

Tras clavar un clavo sin cabeza, asegúrese de soltar totalmente el disparador. (Fig. 14)

Cuando la parte superior del clavo sin cabeza permanezca por encima de la superficie del material, empuje el clavo sujetando la clavadora firmemente.

NOTA:

- Cuando se tire del disparador tras una acción rápida del disparador, la clavadora puede no hacer nada aunque funcione momentáneamente y puede no disparar clavos sin cabeza. No se trata de ningún problema. Suelte el disparador una vez, vuelva a tirar de él y podrá disparar clavos sin cabeza.
- El uso continuo de la clavadora con la parte superior de clavos sin cabeza que sobresalen de la superficie del material que se debe fijar puede provocar daños en el resorte de empuje de la clavadora y atascos, etc.

Extracción de clavos sin cabeza atascados

ADVERTENCIA:

- Asegúrese siempre de que la palanca se haya soltado y que el cartucho de la batería se haya extraído antes de retirar los clavos atascados. (Fig. 15)

Extraiga el cartucho de la batería de la clavadora inalámbrica.

Extraiga los clavos sin cabeza que permanecen dentro del depósito alimentador.

Afloje los pernos (A) y (B) girándolos aproximadamente dos vueltas mediante la llave Allen que se proporciona con la clavadora.

Extraiga la cubierta del resorte de empuje deslizándola.

Extraiga los clavos sin cabeza atascados, residuos, adhesivos, virutas, etc. del pasaje para los clavos sin cabeza.

Compruebe que no haya clavos sin cabeza atascados en el resorte de empuje u otras materias extrañas y fíjelo con los dos pernos.

MANTENIMIENTO

PRECAUCIÓN:

- Asegúrese de apagar siempre la herramienta y extraer el cartucho de la batería antes de intentar realizar cualquier trabajo de inspección o mantenimiento en ella.
- Nunca utilice gasolina, benceno, disolvente, alcohol o un producto similar. Se puede provocar una decoloración, una deformación o grietas.
- Para conservar la SEGURIDAD y la FIABILIDAD del producto, los trabajos de reparación y otros trabajos de mantenimiento y ajuste deberán ser realizados en centros de servicio autorizados de Makita, utilizando siempre repuestos Makita.

ACCESORIOS OPCIONALES

PRECAUCIÓN:

- Se recomienda el uso de estos accesorios o complementos con la herramienta Makita especificada en este manual. El uso de otros accesorios o complementos puede conllevar el riesgo de ocasionar daños corporales. Utilice los accesorios o complementos solamente para su fin establecido.
- Si necesita cualquier ayuda para obtener más información relativa a estos accesorios, pregunte a su centro de servicio Makita local.
- Clavos sin cabeza
 - Diversos tipos de baterías y cargadores originales de Makita
 - Gafas de seguridad

NOTA:

- Algunos elementos de la lista se pueden incluir en el paquete de la herramienta como accesorios estándar. Pueden ser diferentes de un país a otro.

Ruido

ENG905-1

Niveles típicos de ruido ponderado A determinados conforme a EN60745:

Modelo DPT350

Nivel de presión de sonido (L_{pA}): 75 dB (A)
Incertidumbre (K): 3 dB (A)

El nivel de ruido durante el trabajo puede superar los 80 dB (A).

Modelo DPT351

Nivel de presión de sonido (L_{pA}): 74 dB (A)
Incertidumbre (K): 3 dB (A)

El nivel de ruido durante el trabajo puede superar los 80 dB (A).

Utilice protección para los oídos.

Vibración

ENG904-2

Valor de emisión de vibraciones determinado de acuerdo con EN60745:

Emisión de vibraciones (a_{h1}): 2,5 m/s² o menos
Incertidumbre (K): 1,5 m/s²

ENG901-1

- El valor de emisión de vibraciones se ha medido de acuerdo con el método de prueba estándar y se puede utilizar para comparar herramientas.
- El valor de emisión de vibraciones declarado también se puede usar en una evaluación preliminar de la exposición.

ADVERTENCIA:

- La emisión de vibraciones durante el uso de la herramienta eléctrica puede diferir del valor de emisiones declarado, dependiendo de las formas en que se utiliza la herramienta.
- Asegúrese de identificar las mediciones correctas para proteger al operario, que se basan en una estimación de la exposición en condiciones de uso reales (teniendo en cuenta todas las partes del ciclo de operaciones, como los momentos en los que la herramienta está apagada y cuando funciona al ralentí además del tiempo en que está activado el interruptor).

Sólo para países europeos

ENH101-15

Declaración de conformidad de la CE

Nosotros, Makita Corporation, en calidad de fabricante responsable, declaramos que las siguientes máquinas Makita:

Designación de la máquina:

Clavadora Inalámbrica

Nº de modelo/ Tipo: DPT350, DPT351

son de producción serie y

Cumplen con las siguientes Directivas europeas:
2006/42/CE

Y se han fabricado de acuerdo con los siguientes estándares o documentos estandarizados:
EN60745

La documentación técnica la conserva nuestro representante autorizado en Europa, que es:

Makita International Europe Ltd.

Michigan Drive, Tongwell,

Milton Keynes, Bucks MK15 8JD, Inglaterra

22. 12. 2010



Tomoyasu Kato

Director

Makita Corporation

3-11-8, Sumiyoshi-cho,
Anjo, Aichi, 446-8502, JAPAN

PORTUGUÊS (Instruções de origem)

Descrição geral

- | | | |
|-----------------------|--------------------------|-----------------------|
| 1. Indicador vermelho | 9. Lâmpada | 17. Encaixe |
| 2. Botão | 10. Guia | 18. Gancho |
| 3. Bateria | 11. Pregos | 19. Parafuso |
| 4. Gatilho | 12. Carregador | 20. Chave sextavada |
| 5. Alavanca | 13. Alavanca de bloqueio | 21. Material a pregar |
| 6. Tampa corrediça | 14. Saliência | 22. Parafuso (B) |
| 7. Parafusos | 15. Adaptador de ponta | 23. Parafuso (A) |
| 8. Tampa da guia | 16. Suporte | |

ESPECIFICAÇÕES

Modelo	DPT350		DPT351	
Tamanho do prego	0,6 x 18, 25, 30, 35 mm		0,6 x 18, 25, 30, 35 mm	
Capacidade do carregador	130 unidades		130 unidades	
Dimensões (C x L x A)	227 mm x 79 mm x 245 mm		227 mm x 79 mm x 249 mm	
Bateria	BL1415N	BL1430, BL1440, BL1450	BL1815, BL1815N, BL1820	BL1830, BL1840, BL1850
Peso líquido	1,8 kg	2,0 kg	1,9 kg	2,1 kg
Voltagem nominal	D.C. 14,4 V		D.C. 18 V	

- Devido à pesquisa e desenvolvimento constantes, estas especificações estão sujeitas a alteração sem aviso prévio.
- As especificações e o cartucho da bateria podem ser diferentes consoante o país.
- Peso, com a bateria, de acordo com o procedimento EPTA de 01/2003

Utilização prevista

ENE068-1

Esta ferramenta destina-se a enterrar pregos em materiais de construção como, por exemplo, madeiras.

Avisos gerais de segurança para ferramentas eléctricas

GEA010-1

⚠ AVISO Leia todos os avisos de segurança e todas as instruções. O não cumprimento dos avisos e instruções pode resultar na ocorrência de choques eléctricos, incêndios e/ou ferimentos graves.

Guarde todos os avisos e instruções para referência futura.

AVISOS DE SEGURANÇA PARA O PINADOR A BATERIA

GEB090-1

1. **Presuma sempre que a ferramenta contém pregos.** Um manuseamento descuidado da pinador pode resultar no disparo acidental de pregos e em ferimentos.
2. **Não aponte a ferramenta na sua direcção nem a ninguém que se encontre por perto.** Um disparo inesperado resultará na libertação de um prego, causando ferimentos.
3. **Não accione a ferramenta a não ser que a ferramenta seja colocada firmemente contra a peça de trabalho.** Se a ferramenta não estiver em contacto com a peça de trabalho, o prego poderá ser desviado do alvo pretendido.
4. **Desligue a ferramenta da fonte de alimentação quando um prego ficar encravado.** Estando ligado, o pinador pode ser activado acidentalmente durante a remoção de um prego encravado.
5. **Tenha cuidado ao remover um prego encravado.** O mecanismo pode estar sob pressão e o prego pode ser disparado à força enquanto tenta desencravar o pinador.
6. **Não utilize este pinador para pregar cabos eléctricos.** A ferramenta não é adequada para instalação de cabos eléctricos e pode danificar o isolamento dos cabos, causando choques eléctricos ou riscos de incêndio.
7. **Use sempre óculos protectores ou óculos de segurança com protecção lateral e um visor de protecção completo quando necessário.**
8. **Mantenha as mãos e os pés afastados da área da porta de ejeção.**
9. **Retire sempre a bateria antes de carregar os pregos, efectuar ajustes, inspecção, manutenção ou após a operação estar concluída.**
10. **Assegure-se de que não há ninguém nas proximidades antes de utilizar. Nunca tente inserir pregos do lado de dentro e do lado de fora da parede ao mesmo tempo. Os pregos podem atravessar a madeira e/ou sair disparados, apresentando um perigo muito grave.**
11. **Tenha cuidado e mantenha-se numa posição firme e equilibrada durante a utilização da ferramenta. Certifique-se de que não se encontra ninguém por baixo ao trabalhar em locais altos.**
12. **Inspeccione cuidadosamente as paredes, tectos, pisos e telhados para evitar o risco de choque eléctrico, fuga de gás, explosões, etc., que podem ser causados se ao pregar encontrar fios ligados, condutas ou canos de gás.**
13. **Utilize apenas pregos especificados neste manual. A utilização de pregos diferentes pode causar o mau funcionamento da ferramenta.**

14. Não modifique a ferramenta nem tente usá-la para além de inserir pregos.
15. Não utilize a ferramenta sem pregos. Tal diminui o tempo de vida funcional da ferramenta.
16. Pare de pregar imediatamente se notar qualquer problema ou algo anormal com a ferramenta.
17. Nunca pregue em materiais que possam permitir que o prego perfure ou atravesse como um projectil.
18. Nunca accione o gatilho e a alavanca de segurança ao mesmo tempo até estar preparado para pregar nas peças de trabalho. Permita que a peça de trabalho empurre a alavanca de segurança. Nunca tente contrariar o objectivo da alavanca mantendo-a puxada para trás ou premindo-a manualmente.
19. Nunca adultere a alavanca de segurança. Verifique frequentemente a alavanca de segurança para assegurar o funcionamento correcto.
7. Não incinere a bateria, nem mesmo se esta estiver irremediavelmente danificada ou completamente gasta. Pode explodir num incêndio.
8. Não a deixe cair e evite o choque com outros objectos.
9. Não utilize uma bateria danificada.
10. Siga os regulamentos locais relacionados com a eliminação da bateria.

GUARDE ESTAS INSTRUÇÕES.

Sugestões para o máximo de tempo de vida da bateria

1. Não espere que a bateria se gaste completamente para voltar a carregá-la. Pare a ferramenta e carregue a bateria sempre que detectar um baixo nível de energia.
2. Nunca volte a carregar uma bateria já completamente carregada. O carregamento excessivo diminui o tempo de vida das baterias.
3. Carregue a bateria em locais onde a temperatura se situe entre 10°C e 40°C (50°F - 104°F). Se a bateria estiver quente, deixe-a arrefecer antes de iniciar o carregamento.
4. Carregue a bateria uma vez a cada seis meses se não a utilizar durante um longo período.

GUARDE ESTAS INSTRUÇÕES.

⚠ AVISO:

NÃO deixe que o conforto ou familiaridade com o produto (obtida de uma utilização regular) substituam um cumprimento severo das regras de segurança do produto em causa. Uma UTILIZAÇÃO INCORRECTA ou não cumprimento das regras de segurança indicadas neste manual de instruções podem provocar ferimentos pessoais sérios.

INSTRUÇÕES DE SEGURANÇA IMPORTANTES

ENCC007-8

RELATIVAS À BATERIA

1. Antes de utilizar a bateria, leias as instruções e chamadas de atenção sobre: (1) o carregador da bateria, (2) a bateria e (3) o produto que utiliza a bateria.
2. Não desmonte a bateria.
3. Se o tempo de utilização com a bateria se tornar demasiado curto, deve parar imediatamente. Se continuar, pode causar sobreaquecimento, incêndio e mesmo explosão.
4. Se o electrólito entrar em contacto com os olhos, enxágue-os com água limpa e consulte imediatamente um médico. Os riscos incluem perda de visão.
5. Não provoque um curto-circuito na bateria:
 - (1) Não deixe que quaisquer materiais condutores entrem em contacto com os terminais da bateria.
 - (2) Evite guardar a bateria juntamente com outros objectos de metal como pregos, moedas, etc.
 - (3) Não exponha a bateria a água ou chuva. Um curto-circuito na bateria pode criar uma grande carga eléctrica, sobreaquecimento, possíveis queimaduras e mesmo uma avaria.
6. Não guarde a ferramenta e a bateria em locais onde a temperatura possa atingir ou exceder 50°C (122°F).

DESCRIÇÃO DO FUNCIONAMENTO

⚠ PRECAUÇÃO:

- Certifique-se sempre de que a ferramenta está desligada e que a bateria foi removida antes de proceder a ajustes ou testar acessórios.

Inserir ou retirar a bateria (Fig. 1)

- Desligue sempre a ferramenta antes de instalar ou retirar a bateria.
- Para retirar a bateria, mantenha premido o botão na frente da bateria e puxe.
- Para colocar a bateria, alinhe a respectiva saliência com a calha do compartimento e encaixe-a suavemente. Insira-a completamente até fixar em posição com um clique. Se ainda estiver visível o indicador vermelho na parte superior do botão, não estará bem encaixada. Coloque-a completamente, até deixar de ver o indicador vermelho. Caso contrário, pode cair da ferramenta e causar ferimentos em si, ou em alguém que esteja perto de si.
- Não exerça força ao colocar a bateria. Se não encaixar facilmente é porque não está correctamente posicionada.

Sistema de segurança

⚠ AVISO:

- Certifique-se de que todos os sistemas de segurança estão a funcionar adequadamente antes de utilizar a ferramenta. Caso contrário, poderá causar ferimentos. (Fig. 2)

Antes de proceder à inserção de pregos, e para detectar possíveis defeitos, teste os sistemas de segurança da seguinte forma.

1. Antes do teste, certifique-se de que a ferramenta não está carregada com pregos.
2. Puxe a tampa correção do carregador na sua direcção. (Fig. 3)
3. A ferramenta é activada acidentalmente se apenas o gatilho for premido, embora a alavanca não seja puxada.
4. A ferramenta não funciona quando o gatilho é premido com a alavanca puxada.

Nos casos 3 e 4 em cima, os sistemas de segurança apresentam defeitos.

Gatilho e alavanca

⚠ PRECAUÇÃO:

- Antes de inserir a pilha na ferramenta, verifique se o gatilho está a funcionar correctamente e se regressa à posição "OFF" quando o solta. (Fig. 4)

Além do habitual gatilho, a ferramenta está também equipada com alavanca como sistema de segurança. (Fig. 5)

Para disparar pregos, puxe primeiro a alavanca e depois o gatilho.

Regular a profundidade de pregagem

⚠ AVISO:

- Antes de carregar o pinador, certifique-se sempre de que os seus dedos não se encontram no gatilho ou na alavanca e que a bateria não se encontra na ferramenta. (Fig. 6)

É possível regular a profundidade de pregagem nesta ferramenta. Utilizando a chave sextavada fornecida com a ferramenta, vire os dois parafusos um quarto de volta e a tampa da guia deslizará para cima ou para baixo. A profundidade pode ser regulada de 1,5 mm até ao máximo. Quando obtiver a profundidade desejada, aperte firmemente os dois parafusos.

Acender as lâmpadas

⚠ PRECAUÇÃO:

- Não olhe directamente para a luz da ferramenta. (Fig. 7)

Para acender a lâmpada, puxe a alavanca. Para a apagar, liberte a alavanca.

NOTA:

- Para limpar a lâmpada, utilize um tecido seco. Tenha cuidado para não riscar a lente da lâmpada, pois poderia diminuir a intensidade da iluminação.
- Mesmo que a lâmpada acenda quando o nível de energia da bateria estiver baixo, o pinador pode não disparar os pregos. Nesse caso, carregue a bateria.

Dispositivo anti-accionamento

⚠ PRECAUÇÃO:

- Antes de carregar o pinador, certifique-se sempre de que os seus dedos não se encontram no gatilho ou na alavanca e que a bateria não se encontra na ferramenta.

Quando o número de pregos restantes no carregador for de 0 - 3 unidades., o gatilho já não poderá ser premido. Insira então um novo conjunto de pregos no carregador e o gatilho já poderá ser premido.

NOTA:

- Ao disparar pregos de comprimento diferente pouco tempo depois do dispositivo anti-accionamento ter actuado, insira um novo conjunto de pregos no carregador e dispare todos os pregos anteriores que tiverem restado em material velho ou que não seja necessário.

MONTAGEM

⚠ PRECAUÇÃO:

- Antes de proceder a qualquer intervenção no pinador, certifique-se sempre de que os seus dedos não se encontram no gatilho ou na alavanca e que a bateria não se encontra na ferramenta.

Carregar o pinador

⚠ PRECAUÇÃO:

- Antes de carregar o pinador, certifique-se sempre de que os seus dedos não se encontram no gatilho ou na alavanca e que a bateria não se encontra na ferramenta.
- Não retire o carregador de forma súbita se este estiver carregado. A queda accidental de pregos, particularmente quando se trabalha em locais altos, pode causar ferimentos.
- Carregue os pregos na direcção correcta. O carregamento na direcção errada pode causar o desgaste prematuro da guia e danificar as outras peças. (Fig. 8)

Retire a bateria.

Prima a alavanca de bloqueio e retire o carregador. Coloque os pregos no carregador e introduza-os na ranhura até ao fundo. (Certifique-se de que coloca os pregos na direcção certa.)

Mantendo os pregos nessa posição, introduza-os completamente na guia.

Coloque o carregador na posição original e tranque-o com a alavanca de bloqueio.

⚠ PRECAUÇÃO:

- Não utilize pregos deformados. Utilize apenas pregos especificados neste manual. A utilização de outros pregos pode causar encravamento de pregos e avaria da ferramenta.

Descarregar o pinador

⚠ PRECAUÇÃO:

- Ao retirar os pregos, certifique-se de que os seus dedos não se encontram no gatilho ou na alavanca e que a bateria não se encontra na ferramenta. Disparos accidentais podem causar ferimentos e danos materiais.

Retire a bateria.

Prima a alavanca de bloqueio e retire o carregador.

Retire os pregos da ranhura do carregador.

Adaptador de ponta

PRECAUÇÃO:

- Antes de instalar o adaptador de ponta, certifique-se sempre de que os seus dedos não se encontram no gatilho ou na alavanca e que a bateria não se encontra na ferramenta. (Fig. 9)

Utilize o adaptador de ponta quando pretender colocar pregos em material com superfícies facilmente danificáveis. Para instalar o adaptador de ponta, coloque-o sobre a tampa da guia de forma a que a saliência no interior do adaptador se encaixe na ranhura da tampa da guia.

Quando não estiver a ser utilizado, guarde o adaptador de ponta no suporte da parte de trás do carregador para evitar que se perca.

Gancho

PRECAUÇÃO:

- Antes de utilizar o gancho, certifique-se sempre de que os seus dedos não se encontram no gatilho ou na alavanca e que a bateria não se encontra na ferramenta. (Fig. 10)

PRECAUÇÃO:

- Não pendure o gancho no cinto. Deixar cair o pinador, o que pode acontecer caso o gancho se desencontre acidentalmente, pode causar um disparo acidental e ferimentos. (Fig. 11)

O gancho é muito útil para pendurar a ferramenta quando necessário.

Pode ser instalado de qualquer dos lados.

Para instalar o gancho, insira-o numa das ranhuras do corpo da ferramenta, em qualquer dos lados e, em seguida, fixe-o com um parafuso.

Para o remover, basta desapertar o parafuso.

Armazenamento da chave sextavada (Fig. 12)

Quando não estiver a ser utilizada, guarde a chave sextavada tal como indicado na ilustração, para evitar que se perca.

FUNCIONAMENTO

Inserir pregos

AVISO:

- Antes de premir o gatilho, certifique-se sempre de que a abertura por onde os pregos são disparados está em contacto com o material a pregar. O premir do gatilho faz disparar os pregos. Disparos acidentais podem causar ferimentos. (Fig. 13)

Encoste a abertura por onde os pregos são disparados no material a pregar e segure firmemente a ferramenta contra o material. De seguida puxe a alavanca e depois prima completamente o gatilho para inserir o prego. A pega está configurada de forma a que a cabeça da ferramenta possa ser segurada com o dedo indicador e o polegar. Após a inserção de um prego, solte completamente o gatilho. (Fig. 14)

Quando a cabeça de um prego permanecer acima da superfície do material, insira o prego segurando firmemente a cabeça do pinador.

NOTA:

- Quando o gatilho é premido após uma rápida acção do gatilho, o pinador pode não funcionar e não ser momentaneamente e pode não disparar pregos. Tal não é um defeito. Quando isso acontecer, solte o gatilho uma vez, prima-o novamente e os pregos já poderão ser disparados.
- A utilização contínua do pinador em casos em que a cabeça de pregos disparados permanece acima da superfície do material a pregar pode causar danos na guia da ferramenta, bem como encravamento de pregos, etc.

Retirar pregos encravados

AVISO:

- Antes de retirar pregos encravados, certifique-se sempre de que a alavanca está libertada e que a bateria não se encontra na ferramenta. (Fig. 15)

Retire a bateria do pinador.

Retire os pregos que ainda se encontram no interior do carregador.

Desaperte o parafuso (A) e o parafuso (B) rodando-os aproximadamente duas voltas, utilizando a chave sextavada fornecida com o pinador.

Retire a tampa da guia fazendo-a deslizar.

Retire pregos encravados, detritos, adesivos, lascas de madeira, etc., que se encontrem na passagem dos pregos.

Verifique se a tampa da guia contém pregos encravados ou outros objectos estranhos e depois fixe-a com esses dois parafusos.

MANUTENÇÃO

PRECAUÇÃO:

- Certifique-se sempre de que a ferramenta está desligada e a bateria removida antes de efectuar operações de inspecção ou de manutenção.
- Nunca utilize gasolina, benzina, diluente, álcool ou semelhante. Podem formar-se descolorações, deformações ou fissuras.
- Para manter os níveis de SEGURANÇA e FIABILIDADE definidos para este produto, as reparações e os procedimentos de manutenção ou ajustes devem ser executados por centros de assistência Makita autorizados, utilizando sempre peças de substituição Makita.

ACESSÓRIOS OPCIONAIS

PRECAUÇÃO:

- Os seguintes acessórios ou extensões são os recomendados para utilizar com a ferramenta Makita especificada neste manual. A utilização de quaisquer outros acessórios poderá representar um risco de ferimento para as pessoas. Apenas utilize o acessório para o fim indicado.

Se precisar de informações adicionais relativas aos acessórios, contacte o centro local de assistência Makita.

- Pregos
- Vários tipos de baterias e carregadores Makita genuínos
- Óculos protectores

NOTA:

- Alguns itens na lista podem estar incluídos no pacote de ferramentas como acessórios de série. Podem diferir de país para país.

Ruído

ENG905-1

Os níveis acústicos ponderados A típicos foram determinados segundo a EN60745:

Modelo DPT350

Nível de pressão sonora (L_{pA}): 75 dB (A)

Incerteza (K): 3 dB (A)

O nível de ruído quando em funcionamento pode exceder os 80 dB (A).

Modelo DPT351

Nível de pressão sonora (L_{pA}): 74 dB (A)

Incerteza (K): 3 dB (A)

O nível de ruído quando em funcionamento pode exceder os 80 dB (A).

Use protecção para os ouvidos.**Vibração**

ENG904-2

O valor de emissão das vibrações determinado de acordo com a EN60745:

Emissão de vibração (a_h): 2,5 m/s² ou menos

Incerteza (K): 1,5 m/s²

ENG901-1

- O valor da emissão de vibração declarado foi medido de acordo com o método de teste padrão e pode ser utilizado para comparar uma ferramenta com outra.
- O valor da emissão de vibração declarado pode também ser utilizado numa avaliação preliminar de exposição.

⚠ AVISO:

- A emissão de vibração durante a utilização real da ferramenta eléctrica pode ser diferente do valor de emissão declarado, dependendo da forma como a ferramenta é utilizada.
- Certifique-se de que identifica medidas de segurança, para proteger o operador, que são baseadas numa estimativa de exposição nas condições reais de utilização (tendo em conta todas as partes do ciclo de funcionamento, como as vezes que a ferramenta é desligada e quando está a trabalhar ao ralenti, além do tempo de utilização).

Apenas para os países europeus

ENH101-15

Declaração de conformidade CE

A Makita Corporation, na qualidade do fabricante responsável, declara que a(s) máquina(s) Makita seguinte(s):

Designação da máquina:

Pinador a Bateria

N.º de modelo/Tipo: DPT350, DPT351

são produzidas em série e

estão em conformidade com as Directivas Europeias seguintes:

2006/42/EC

E são fabricadas de acordo com as normas ou os documentos padronizados seguintes:

EN60745

A documentação técnica é mantida pelo nosso representante autorizado na Europa, que é:

Makita International Europe Ltd.

Michigan Drive, Tongwell,

Milton Keynes, Bucks MK15 8JD, Inglaterra

22. 12. 2010



Tomoyasu Kato

Director

Makita Corporation

3-11-8, Sumiyoshi-cho,

Anjo, Aichi, 446-8502, JAPAN

DANSK (Originalvejledning)

Forklaring til generel oversigt

- | | | |
|--------------------|------------------|----------------------------------|
| 1. Rød indikator | 9. Lampe | 17. Rille |
| 2. Knap | 10. Drevguide | 18. Krog |
| 3. Batteripakke | 11. Klammer | 19. Skrue |
| 4. Aftrækker | 12. Magasin | 20. Unbrakonøgle |
| 5. Håndtag | 13. Låsearm | 21. Materiale der skal fastgøres |
| 6. Skydelem | 14. Fremspring | 22. Bolt (B) |
| 7. Bolte | 15. Spidsadapter | 23. Bolt (A) |
| 8. Driverguedæksel | 16. Holder | |

SPECIFIKATIONER


Model	DPT350		DPT351	
Klammestørrelse	0,6 x 18, 25, 30, 35 mm		0,6 x 18, 25, 30, 35 mm	
Indhold af klammemagasin	130 stk.		130 stk.	
Størrelse (L x B x H)	227 mm x 79 mm x 245 mm		227 mm x 79 mm x 249 mm	
Batteripakke	BL1415N	BL1430, BL1440, BL1450	BL1815, BL1815N, BL1820	BL1830, BL1840, BL1850
Nettovægt	1,8 kg	2,0 kg	1,9 kg	2,1 kg
Nominal spænding	14,4 V DC		18 V DC	

- På grund af vores løbende forsknings- og udviklingsprogram kan specifikationerne heri ændres uden forudgående varsel.
- Specifikationerne og batteripakken kan variere fra land til land.
- Vægt, inklusive batteripakken, i henhold til EPTA-Procedure 01/2003

Tilsigtet brug ENE068-1

Værktøjet er beregnet til at skyde klammer ind i byggematerialer, såsom tømmer.

Generelle sikkerhedsadvarsler for maskiner GEA010-1

 **ADVARSEL** Læs alle sikkerhedsadvarsler og alle instruktioner. Hvis De ikke følger alle advarsler og instruktioner, kan det medføre elektrisk stød, brand og/eller alvorlig personskade.

Gem alle advarsler og instruktioner til senere reference.

SIKKERHEDSADVARSLER FOR BATTERIDREVEVET HÆFTEPISTOL GEB090-1

1. **Gå altid ud fra at værktøjet indeholder klammer.** Skødesløs håndtering af hæftepistolen kan resultere i uventet affiring af klammer, der kan forårsage personskader.
2. **Ret ikke værktøjet mod dig selv eller andre i nærheden.** Uventet tryk på aftrækkeren vil afskyde klammen og forårsage skader.
3. **Aktiver ikke værktøjet, medmindre det er placeret fast mod arbejdsområdet.** Hvis værktøjet ikke er i kontakt med arbejdsområdet, kan klammen muligvis afvige fra dit mål.
4. **Afbryd værktøjet fra strømforsyningen når en klamme sidder fast i værktøjet.** Når du fjerner en fastklemt klamme, kan hæftepistolen aktiveres ved et uheld, hvis den er tilkoblet en strømforsyning.
5. **Vær forsigtig når du fjerner en fastklemt klamme.** Mekanismen kan være under tryk, og klammen kan affyres med stor kraft, mens du forsøger at fjerne blokeringen.
6. **Anvend ikke denne hæftepistol til fastgørelse af elkabler.** Den er ikke beregnet til fastgørelse af elkabler, og det kan skade elkablets isolering og dermed forårsage elektrisk stød eller brandfare.
7. **Bær altid sikkerhedsbriller med sideskjold, samt et komplet visir, hvis det er påkrævet.**
8. **Hold hænder og fødder væk fra området omkring udstødtsporten.**
9. **Fjern altid batteripakken, før du isætter klammerne eller justerer, inspicerer eller vedligeholder hæftepistolen, eller efter endt brug.**
10. **Sørg for, at der ikke er andre i nærheden, før arbejdet påbegyndes.** Forsøg aldrig at hæfte klammer i fra både indersiden og ydersiden af væggen på samme tid. Klammerne kan gå igennem og/eller flyve væk og udgøre en alvorlig fare.
11. **Vær opmærksom på fodfæstet, og hold balancen med værktøjet.** Sørg for, at der ikke er nogen under dig, når du benytter værktøjet på højtliggende steder.
12. **Kontroller vægge, lofter, gulve, tage og lignende omhyggeligt for at undgå risiko for elektrisk stød, gasudsvingning, eksplosioner osv. forårsaget af hæftning af strømførende ledninger, elektriskerrør eller gasrør.**
13. **Brug kun de klammer, der er angivet i denne brugsanvisning.** Brug af andre klammer kan muligvis beskadige værktøjet.
14. **Pil ikke ved værktøjet, og forsøg ikke at bruge det til andet end til ihæftning af klammer.**

- Anvend ikke værktøjet uden klammer. Dette forkorter værktøjets levetid.
- Stop arbejdet øjeblikkeligt, hvis du bemærker fejlfunktion eller noget unormalt ved værktøjet.
- Hæft aldrig klammer i materiale, hvor klammen kan gennemtrænge det og gå igennem som et projektil.
- Aktiver aldrig aftrækkeren og sikkerhedshåndtaget på samme tid, medmindre du er klar til at hæfte klammer i arbejdsområdet. Giv arbejdsområdet mulighed for at trykke sikkerhedshåndtaget ned. Sikkerhedshåndtaget må aldrig fastgøres i tilbagepositionen eller nedtrykkes med hånden.
- Pil aldrig ved sikkerhedshåndtaget. Kontroller ofte sikkerhedshåndtaget for at sikre korrekt brug.

GEM DISSE INSTRUKTIONER.

⚠ ADVARSEL:

LAD IKKE tryghed eller kendskab til produktet (fra gentagen brug) føre til, at du ikke strengt overholder sikkerhedsreglerne for det gældende produkt. MISBRUG eller manglende overholdelse af sikkerhedsreglerne i denne brugsanvisning kan medføre alvorlig personskade.

VIGTIGE SIKKERHEDSINSTRUKTIONER

ENC007-8

FOR BATTERIPAKKEN

- Før brugen af batteripakken skal du læse alle instruktioner og advarsler på (1) batteriopladeren, (2) batteriet og (3) det produkt, som batteriet anvendes i.
- Skil ikke batteripakken ad.
- Hvis driftstiden bliver betydeligt kortere, skal du straks ophøre med brugen. Brug kan medføre risiko for overophedning, risiko for forbrændinger eller endog eksplosion.
- Hvis du får elektrolyt i øjnene, skal du med det samme rense øjnene med rent vand og søge læge. Dette kan medføre tab af synet.
- Kortslut ikke batteripakken:
 - Undgå at røre ved terminalerne med ledende materiale.
 - Undgå at opbevare batteripakken i en beholder med andre metalgenstande som f.eks. søm, mønter osv.
 - Udsæt ikke batteripakken for vand eller regn. Hvis batteriet kortsluttes, kan det medføre voldsom strøm, overophedning, milige forbrændinger og endog nedbrud.
- Undgå at opbevare værktøjet og batteripakken på steder, hvor temperaturen kan komme op på eller overstige 50°C.
- Sæt ikke ild til batteripakken, selvom den er alvorligt beskadiget eller helt udtjent. Batteripakken kan eksplodere ved brand.
- Undgå at tabe eller slå på batteriet.
- Undlad brug af et beskadiget batteri.

- Følg de lokale bestemmelser med hensyn til bortskaffelse af batteri.

GEM DISSE INSTRUKTIONER.

Tips til, hvordan du forlænger batteriets levetid

- Oplad batteripakken, før den bliver helt afladet. Ophør med at bruge værktøjet, og udskift batteripakken, hvis strømmen til værktøjet aftager.
- Oplad aldrig en fuldt opladet batteripakke. Overopladning forkorter batteriets levetid.
- Oplad batteripakken ved stuetemperatur på 10°C - 40°C. Lad batteripakken køle ned før den oplades, hvis den er varm.
- Oplad batteripakken en gang hver sjette måned, hvis du ikke bruger det i lang tid.

FUNKTIONSBESKRIVELSE

⚠ FORSIGTIG:

- Sørg altid for, at værktøjet er slukket, og at batteripakken er taget ud, før De justerer værktøjet eller kontrollerer dets funktion.

Montering eller afmontering af batteripakken (Fig. 1)

- Sluk altid for maskinen inden montering eller afmontering af batteripakken.
- Afmonter batteripakken ved at holde ned på knappen foran på batteripakken og skubbe den af maskinen.
- Ved montering af batteripakken justeres tungen på batteripakken med rillen i huset, hvorefter pakken skubbes på plads. Sæt den altid hele vejen ind, indtil den låses på plads med et lille klik. Hvis den røde indikator øverst på knappen er synlig, er batteripakken ikke låst helt fast. Sæt den helt ind, indtil den røde indikator ikke er synlig. Ellers kan den falde ud af maskinen og skade dig eller andre personer i nærheden.
- Brug ikke magt ved montering af batteripakken. Hvis den ikke glider let ind, er den ikke indsat korrekt.

Sikkerhedssystem

⚠ ADVARSEL:

- Sørg for, at alle sikkerhedssystemer fungerer, før anvendelsen. Hvis dette ikke sker, kan det medføre personskader. (Fig. 2)

Kontroller sikkerhedssystemet for eventuel fejlfunktion før hæftning som følger.

- Kontroller at værktøjet ikke er ladet med klammer før testen.
- Træk magasinets skydelem mod dig selv. (Fig. 3)
- Værktøjet fungerer ved et uheld hvis kun aftrækkeren bliver aktiveret, selv om håndtaget ikke er aktiveret.
- Værktøjet fungerer ikke med aftrækkeren aktiveret og håndtaget aktiveret.

I tilfælde af 3 og 4 oven over, er der fejl i sikkerhedssystemet.

Aftrækker og håndtag

FORSIGTIG:

- Før batteripakken sættes i maskinen, skal du altid kontrollere, at afbryderkontakten reagerer korrekt og vender tilbage i "OFF"-stillingen, når du slipper det.

(Fig. 4)

Værktøjet er forsynet med et håndtag som et sikkerhedssystem udover den normale aftrækker. (Fig. 5) For at affyre klammer, skal man først aktivere håndtaget og derefter trykke på aftrækkeren.

Justering af dybden af hæftning

ADVARSEL:

- Kontroller altid at din fingre ikke er placeret på aftrækkeren eller håndtaget, og at batteripakken er fjernet, før hæftepistolen lades. (Fig. 6)

Dybden af hæftning kan justeres på denne hæftepistol. Drej de to møtrikker en kvart omgang med den medførende unbrakonøgle, og driverguidedækslet vil glide op eller ned. Dybden kan justeres 1,5 mm til maksimum. Ved den ønskede dybde, fastgør de to møtrikker sikkert.

Tænding af lamperne

FORSIGTIG:

- Se ikke direkte ind i lyset eller lyskilden. (Fig. 7)

Træk i håndtaget for at tænde lampen. Slip håndtaget for at slukke den.

BEMÆRK:

- Benyt en tør klud til at tørre snavs af lampens linse. Pas på ikke at ridse lampens linse, da det kan mindske lysstyrken.
- Selv om lampen lyser når batteristyrken er ved at løbe ud, kan hæftepistolen måske ikke affyre klammer. Udskift batteripakken i dette tilfælde.

Mekanisme til forhindring af affyring uden klammer

FORSIGTIG:

- Kontroller altid at din fingre ikke er placeret på aftrækkeren eller håndtaget, og at batteripakken er fjernet, før hæftepistolen lades.

Når antallet af resterende klammer i magasinet er 0-3 stykker, kan aftrækkeren ikke længere aktiveres. Når dette sker, indsæt en ny stribe klammer i magasinet så aftrækkeren kan benyttes igen.

BEMÆRK:

- Når du affyrer en anden længde af klammer kort efter at mekanismen til forhindring af affyring er aktiveret, så indsæt en ny stribe klammer i magasinet og affyr alle de tilbageblivende klammer på materiale der ikke længere anvendes.

MONTERING

FORSIGTIG:

- Kontroller altid at din fingre ikke er placeret på aftrækkeren eller håndtaget, og at batteripakken er fjernet, før hæftepistolen vedligeholdes.

Ladning af hæftepistol

FORSIGTIG:

- Kontroller altid at din fingre ikke er placeret på aftrækkeren eller håndtaget, og at batteripakken er fjernet, før hæftepistolen lades.
- Skub ikke magasinet med klammer abrupt ind i hæftemaskinen. Faldende klammer kan forårsage personlige skader, især ved arbejde på høje steder.
- Lad klammerne i den korrekte retning. Indladning i den forkerte retning kan forårsage for tidlig slidtage af pistolen og skader til andre dele. (Fig. 8)

Fjern batteripakken.

Nedtryk låsehåndtaget og skub magasinet ud.

Placer klammerne mod magasinet og indfør det ind i spalten. (Kontroller at klammerne er i den korrekte retning.)

Mens klammerne holdes i denne position, indsæt disse klammer hele vejen ind i driverguiden.

Tilbagefør magasinet til den originale position og fastlås det med låsearmen.

FORSIGTIG:

- Anvend ikke deformerede klammer. Brug kun de klammer der er angivet i denne brugsanvisning. Brug af klammer ud over dem, der er specificerede, kan forårsage fastklemning af klammer og beskadigelse af hæftepistolen.

Udtømmning af hæftepistol

FORSIGTIG:

- Kontroller altid at din fingre ikke er placeret på aftrækkeren eller håndtaget, og at batteripakken er fjernet, før hæftepistolen tømmes. Affyring ved uheld kan forårsage personlige skader og skader til inventar.

Fjern batteripakken.

Nedtryk låsehåndtaget og skub magasinet ud.

Fjern klammerne fra magasinet.

Spidsadapter

FORSIGTIG:

- Kontroller altid at din fingre ikke er placeret på aftrækkeren eller håndtaget, og at batteripakken er fjernet, før spidsadapteren installeres. (Fig. 9)

Ved affyring af klammer på overflader, der let kan skæmmes, bør spidsadapteren anvendes. For at installere spidsadapteren, placer den over driverguidehængslet, således af fremspringet i spidsadapteren passer ind i spalten på driverguidehængslet.

Opbevar spidsadapteren i beholderen bag på magasinet, når den ikke anvendes, for at forhindre at den bliver væk.

Krog

FORSIGTIG:

- Kontroller altid at din fingre ikke er placeret på aftrækkeren eller håndtaget, og at batteripakken er fjernet, før krogen anvendes. (Fig. 10)

FORSIGTIG:

- Hæng ikke kroge fra livremmen. Tab af hæftepistol, hvilket kan ske hvis kroge ved et uheld løsnes, kan forårsage forkert affyring og personlige skader.

(Fig. 11)

Krognen er nyttig til midlertidig ophængning af værktøjet. Den kan monteres i begge sider af værktøjet. For at montere krognen indsættes den i en rille i værktøjet på en af siderne, hvorefter den fastgøres med en skrue. Den afmonteres ved at løsne skruen og tage den ud.

Opbevaring af unbrakonøgle (Fig. 12)

Opbevar unbrakonøglen som vist i figuren, når den ikke anvendes, for at forhindre, at den bliver væk.

BETJENING

Hæftning af klammer

ADVARSEL:

- Før du trykker på aftrækkeren, kontroller at åbningen hvor klammerne affyres fra, er i kontakt med materialet, der skal hæftes. Et tryk på aftrækkeren affyrer klammer. Affyring ved uheld kan forårsage personlige skader. (Fig. 13)

Placer mundingen af hæftepistolen fladt mod materialet, der skal hæftes, og hold værktøjet fast mod materialet. Aktiver derefter håndtaget og tryk på aftrækkeren for at affyre klammen. Grebet er udformet således at værktøjshovedet kan holdes sikkert ned med pege- og tommelfingrene. Efter affyring af en klamme, slip aftrækkeren helt. (Fig. 14)

Når toppen af en hæftet klamme stikker op over materialets overflade, skal du hæfte klammen, mens du holder hæftepistolens hoved fast.

BEMÆRK:

- Når aftrækkeren er aktiveret igen efter en hurtig aftrækning, kan hæftepistolen svigte og ikke affyre klammer. Dette er ikke en fejl. Når dette sker, slip aftrækkeren, aktiver den igen og klammerne skulle være klare til hæftning.
- Vedvarende brug af hæftepistolen hvor toppen af affyrede klammer forbliver over den overflade, der skal hæftes kan forårsage skader til hæftepistolen og fastklemning af klammer etc.

Fjernelse af fastklemte klammer

ADVARSEL:

- Kontroller altid at håndtaget er frakoblet og at batteripakken er fjernet, før du fjerner fastklemte klammer. (Fig. 15)

Fjern batteripakken fra hæftepistolen.

Fjern de resterende klammer fra magasinet.

Løsn møtrik (A) og møtrik (B) ved at dreje dem ca. to gange med den medfølgende unbrakonøgle.

Fjern driverguidehængslet ved at skubbe det.

Fjern fastklemte klammer, snavs, klæbemidler og træsplinter etc. fra passagen til klammerne.

Kontroller driverguidehængslet for fastklemte klammer eller andet fremmed materiale, og fastgør det derefter med de to møtrikker.

VEDLIGEHODELSE

FORSIGTIG:

- Sørg altid for, at værktøjet er slukket, og at batteripakken er taget ud, før De forsøger at udføre inspektion eller vedligeholdelse.

- Brug aldrig benzin, benzen, fortynder, alkohol eller lignende. Det kan muligvis medføre misfarvning, deformation eller revner.
- For at holde produktet SIKKERT og PÅLIDELIGT skal reparationer samt al anden vedligeholdelse eller justering udføres af autoriserede Makita-servicecentre, og der skal altid benyttes Makita-reservedele.

EKSTRAUDSTYR

FORSIGTIG:

- Dette tilbehør eller ekstraudstyr anbefales til brug med det Makita-værktøj, som er beskrevet i denne brugsanvisning. Brug af andet tilbehør eller ekstraudstyr kan forårsage personskade. Brug kun tilbehør eller ekstraudstyr til det formål, det er beregnet til.

Henvend dig til dit lokale Makita-servicecenter, hvis du har brug for hjælp eller yderligere oplysninger vedrørende tilbehøret.

- Klammer
- Forskellige typer af originale batterier og opladere fra Makita
- Sikkerhedsbriller

BEMÆRK:

- Visse dele på listen er muligvis indeholdt maskinindpakningen som standardtilbehør. De kan variere fra land til land.

Støj

ENG905-1

Det typiske A-vægtede støjniveau bestemt i overensstemmelse med EN60745:

Model DPT350

Lydtryksniveau (L_{pA}): 75 dB (A)

Usikkerhed (K): 3 dB (A)

Støjniveauet under arbejdet kan være højere end 80 dB (A).

Model DPT351

Lydtryksniveau (L_{pA}): 74 dB (A)

Usikkerhed (K): 3 dB (A)

Støjniveauet under arbejdet kan være højere end 80 dB (A).

Bær høreværn.

Vibration

ENG904-2

Vibrationsemissionsværdien er bestemt i henhold til EN60745:

Vibrationsemission (a_{h1}): 2,5 m/s² eller mindre

Usikkerhed (K): 1,5 m/s²

ENG901-1

- Den opgivne vibrationsemissionsværdi er målt i overensstemmelse med standardtestmetoden og kan bruges til at sammenligne et værktøj med et andet.
- Den opgivne vibrationsemissionsværdi kan muligvis også bruges til en indledende eksponeringsvurdering.

ADVARSEL:

- Vibrationsemissionen under den faktiske brug af maskinen kan afvige fra den opgivne emissionsværdi afhængigt af den måde, maskinen anvendes på.
- Sørg for at bestemme sikkerhedsforanstaltninger for beskyttelse af operatøren, som er baseret på en eksponeringsvurdering for brug under faktiske forhold (hvor alle anvendelsescyklussens dele inddrages, som

f.eks. antal gange maskinen slukkes, og når den kører i tomgang ud over triggertiden).

Kun for europæiske lande

ENH101-15

EF-overensstemmelseserklæring

Vi, Makita Corporation, erklærer som ansvarlig producent at følgende Makita-maskine(r):

Maskinens betegnelse:

Batteridrevet hæftepistol

Modelnummer/ type: DPT350, DPT351

er en produktionsserie og

Overholder følgende europæiske direktiver:

2006/42/EF

Og er produceret i overensstemmelse med følgende standarder eller standardiserede dokumenter:

EN60745

Den tekniske dokumentation findes hos vores autoriserede repræsentant i Europa:

Makita International Europe Ltd.

Michigan Drive, Tongwell,

Milton Keynes, Bucks MK15 8JD, England

22. 12. 2010



Tomoyasu Kato
Direktør

Makita Corporation
3-11-8, Sumiyoshi-cho,
Anjo, Aichi, 446-8502, JAPAN

ΕΛΛΗΝΙΚΑ (Πρωτογενείς οδηγίες)

Περιγραφή γενικής όψης

- | | | |
|------------------------------|------------------------|------------------------|
| 1. Κόκκινη ένδειξη | 9. Λάμπα | 17. Αυλάκι |
| 2. Κουμπί | 10. Σχισμή στον οδηγό | 18. Γάντζος |
| 3. Μπαταρία | 11. Καρφιά | 19. Βίδα |
| 4. Σκανδάλη | 12. Γεμιστήρας | 20. Εξαγωνικό άλεν |
| 5. Μοχλός | 13. Μοχλός κλειδώματος | 21. Υλικό που θα δεθεί |
| 6. Κυλιόμενη θύρα | 14. Προεξοχή | 22. Μπουλόνι (B) |
| 7. Μπουλόνια | 15. Προσαρμογέας μύτης | 23. Μπουλόνι (A) |
| 8. Καπάκι σχισμής στον οδηγό | 16. Θήκη | |

ΤΕΧΝΙΚΑ ΧΑΡΑΚΤΗΡΙΣΤΙΚΑ

Μοντέλο	DPT350		DPT351	
Μέγεθος καρφιού	0,6 x 18, 25, 30, 35 mm		0,6 x 18, 25, 30, 35 mm	
Χωρητικότητα γεμιστήρα καρφιών	130 τεμ		130 τεμ	
Διαστάσεις (Μ x Π x Υ)	227 mm x 79 mm x 245 mm		227 mm x 79 mm x 249 mm	
Μπαταρία	BL1415N	BL1430, BL1440, BL1450	BL1815, BL1815N, BL1820	BL1830, BL1840, BL1850
Καθαρό βάρος	1,8 kg	2,0 kg	1,9 kg	2,1 kg
Ονομαστική τιμή τάσης	D.C. 14,4 V		D.C. 18 V	

- Λόγω του συνεχόμενου προγράμματος που εφαρμόζουμε για έρευνα και ανάπτυξη, τα τεχνικά χαρακτηριστικά στο παρόν έντυπο υπόκεινται σε αλλαγή χωρίς προειδοποίηση.
- Τα τεχνικά χαρακτηριστικά και η μπαταρία ενδέχεται να διαφέρουν από χώρα σε χώρα.
- Βάρος μαζί με την μπαταρία σύμφωνα με τη διαδικασία της ΕΡΤΑ 01/2003

Προοριζόμενη χρήση

ENE068-1

Το εργαλείο προορίζεται για την πίεση καρφιών σε υλικά κατασκευής όπως κορμούς.

Γενικές Προειδοποιήσεις Ασφαλείας Του Ηλεκτρικού Εργαλείου

GEA010-1

⚠ ΠΡΟΕΙΔΟΠΟΙΗΣΗ Διαβάστε όλες τις προειδοποιήσεις ασφαλείας και όλες τις οδηγίες. Αν δεν ακολουθήσετε όλες τις προειδοποιήσεις και τις οδηγίες, υπάρχει κίνδυνος ηλεκτροπληξίας, πυρκαγιάς ή/και σοβαρού τραυματισμού.

Φυλάξτε όλες τις προειδοποιήσεις και τις οδηγίες για μελλοντική αναφορά.

ΠΡΟΕΙΔΟΠΟΙΗΣΕΙΣ ΑΣΦΑΛΕΙΑΣ ΤΟΥ ΑΣΥΡΜΑΤΟΥ ΚΑΡΦΩΤΙΚΟΥ ΠΙΣΤΟΛΙΟΥ

GEB090-1

1. **Να θεωρείτε πάντοτε ότι το εργαλείο περιέχει συνδετήρες.** Ο απρόσεκτος χειρισμός του καρφωτικού πιστολιού μπορεί να έχει ως αποτέλεσμα την απροσδόκητη εκτόξευση συνδετήρων και τον τραυματισμό.
2. **Μη στοχεύετε το εργαλείο πάνω σας ή προς άλλα κοντινά άτομα.** Ένα κατά λάθος πάτημα της σκανδάλης θα εκτοξεύσει το συνδετήρα προκαλώντας τραυματισμό.
3. **Μην ενεργοποιείτε το εργαλείο εκτός αν βρίσκεται τοποθετημένο σταθερά επάνω στο τεμάχιο εργασίας.** Αν το εργαλείο δεν έχει επαφή με το τεμάχιο εργασίας, ο συνδετήρας μπορεί να εξοστρακιστεί από το στόχο σας.
4. **Αποσυνδέστε το εργαλείο από το ρεύμα όταν ο συνδετήρας κολλήσει στο εργαλείο.** Όταν αφαιρείτε ένα κολλημένο συνδετήρα, το καρφωτικό πιστόλι μπορεί να ενεργοποιηθεί κατά λάθος αν είναι συνδεδεμένο στο ρεύμα.
5. **Να είστε προσεκτικοί κατά την αφαίρεση ενός κολλημένου συνδετήρα.** Ο μηχανισμός μπορεί να βρίσκεται υπό πίεση και να εκτοξευτεί ο συνδετήρας όσο προσπαθείτε να ελευθερώσετε το κόλλημα.
6. **Μη χρησιμοποιείτε αυτό το καρφωτικό πιστόλι για τη στερέωση ηλεκτρικών καλωδίων.** Δεν έχει σχεδιαστεί για την εγκατάσταση ηλεκτρικών καλωδίων και ενδέχεται να προκαλέσει ζημιά στη μόνωση των ηλεκτρικών καλωδίων, προκαλώντας κίνδυνο ηλεκτροπληξίας ή πυρκαγιάς.
7. **Να φοράτε πάντα προστατευτικά γυαλιά ή γυαλιά με πλαϊνό προστατευτικό και πλήρες προστατευτικό πρόσωπο** όταν είναι απαραίτητο.
8. **Να κρατάτε τα χέρια και τα πόδια σας μακριά από την περιοχή της θύρας εκτίναξης.**
9. **Να αφαιρείτε πάντα τη μπαταρία πριν το γέμισμα του μηχανήματος με συνδετήρες, πριν από τη ρύθμιση, εξέταση ή συντήρηση του μηχανήματος ή μετά το τέλος της χρήσης του.**
10. **Να βεβαιώνετε ότι δεν βρίσκεται κανένας κοντά πριν από τη χρήση.** Ποτέ μην επιχειρήσετε να καρφώσετε συνδετήρες ταυτόχρονα από την εσωτερική και από την εξωτερική πλευρά του τοίχου. Οι συνδετήρες μπορεί να διαπεράσουν το

- μέσο ή/και να εκτιναχθούν, γεγονός που προκαλεί σοβαρό κίνδυνο.
11. Να προσέχετε ώστε να στέκεστε καλά και να διατηρείτε την ισορροπία σας όταν χρησιμοποιείτε το εργαλείο. Βεβαιωθείτε πως δεν υπάρχει κανένας από κάτω όταν εργάζεστε σε υψηλό μέρος.
 12. Να ελέγχετε προσεχτικά τους τούρμους, τις οροφές, τα πατώματα, τις στέγες και παρόμοιες κατασκευές για να αποφεύγετε πιθανή ηλεκτροπληξία, διαρροή αερίου, εκρήξεις, κτλ. που προκαλούνται από συρραφή σε ηλεκτροφόρα καλώδια, αγωγούς ή σωλήνες αερίου.
 13. Να χρησιμοποιείτε μόνο συνδετήρες που καθορίζονται στο εγχειρίδιο αυτό. Αν χρησιμοποιήσετε άλλους συνδετήρες, μπορεί να προκληθεί δυσλειτουργία του εργαλείου.
 14. Μην παίζετε με το εργαλείο και μην επιχειρήσετε να το χρησιμοποιήσετε για άλλο σκοπό εκτός από το κάρφωμα συνδετήρων.
 15. Μην θέτετε το εργαλείο σε λειτουργία χωρίς τους συνδετήρες. Η ενέργεια αυτή μειώνει τη διάρκεια ζωής του εργαλείου.
 16. Σταματήστε αμέσως τις λειτουργίες καρφώματος αν παρατηρήσετε ότι κάτι δεν πάει καλά ή είναι ασυνήθιστο για το εργαλείο.
 17. Ποτέ να μην καρφώσετε συνδετήρες σε οποιαδήποτε υλικό το οποίο μπορεί να προκαλέσει το σπάσιμο του συνδετήρα και την εκτόξευσή του ως βλήμα.
 18. Ποτέ μην ενεργοποιείτε ταυτόχρονα το διακόπτη της σκανδάλης και το μοχλό ασφαλείας μέχρι τη στιγμή που είστε έτοιμοι να καρφώσετε τους συνδετήρες σε τεμάχια εργασίας. Επιτρέψτε στο τεμάχιο εργασίας να πιέσει το μοχλό ασφαλείας. Ποτέ μην παραβιάζετε το σκοπό του ασφαλιζοντας το μοχλό ασφαλείας προς τα πίσω ή πιέζοντάς τον με το χέρι.
 19. Ποτέ μην πειράζετε το μοχλό ασφαλείας. Ελέγχετε τακτικά το μοχλό ασφαλείας για να δείτε πως λειτουργεί σωστά.

ΦΥΛΑΞΤΕ ΑΥΤΕΣ ΤΙΣ ΟΔΗΓΙΕΣ.

ΠΡΟΕΙΔΟΠΟΙΗΣΗ:

ΜΗΝ επιτρέψετε στη βολικότητα ή στην εξοικειωσή σας με το προϊόν (που αποκτήθηκε από επανειλημμένη χρήση) να αντικαταστήσει την αυστηρή προσήλωση στους κανόνες ασφαλείας του εν λόγω προϊόντος. Η ΛΑΝΘΑΣΜΕΝΗ ΧΡΗΣΗ ή η μη τήρηση των κανόνων ασφαλείας που διατυπώνονται στο παρόν εγχειρίδιο οδηγιών μπορεί να προκαλέσει σοβαρό τραυματισμό.

ΣΗΜΑΝΤΙΚΕΣ ΟΔΗΓΙΕΣ ΑΣΦΑΛΕΙΑΣ

ENC007-8

ΓΙΑ ΤΗΝ ΜΠΑΤΑΡΙΑ

1. Πριν χρησιμοποιήσετε την μπαταρία, διαβάστε όλες τις οδηγίες και τις ενδείξεις προφύλαξης στο (1) φορτιστή μπαταρίας, (2) την μπαταρία και (3) το προϊόν στο οποίο χρησιμοποιείται η μπαταρία.

2. Μην αποσυναρμολογείτε την μπαταρία.
3. Αν ο χρόνος λειτουργίας της μπαταρίας είναι υπερβολικά σύντομος, διακόψτε αμέσως τη λειτουργία. Αν συνεχίσετε, μπορεί να έχει ως αποτέλεσμα τον κίνδυνο υπερθέρμανσης, πιθανών εκγαυμάτων και ακόμη έκρηξης.
4. Αν μπει στα μάτια σας ηλεκτρολύτης, ξεπλύνετε με καθαρό νερό και αναζητήστε αμέσως ιατρική βοήθεια. Μπορεί να χάσετε την όρασή σας.
5. Μην βραχυκυκλώνετε την μπαταρία:
 - (1) Μην αγγίζετε τους ακροδέκτες με αγώγιμο υλικό.
 - (2) Μην αποθηκεύετε την μπαταρία σε δοχείο με άλλα μεταλλικά αντικείμενα, όπως καρφιά, νομίσματα, κτλ.
 - (3) Μην εκθέτετε την μπαταρία σε νερό ή βροχή.Αν βραχυκυκλωθεί η μπαταρία, μπορεί να προκληθεί μεγάλη ροή ηλεκτρικού ρεύματος, υπερθέρμανση, πιθανά εγκαυματα και ακόμη και καταστροφή της μπαταρίας.
6. Μην αποθηκεύετε το εργαλείο και την μπαταρία σε μέρος όπου η θερμοκρασία μπορεί να φτάσει ή να ξεπεράσει τους 50°C (122°F).
7. Μην αποτεφρώνετε την μπαταρία ακόμη κι αν παρουσιάζει σοβαρή ζημιά ή είναι εντελώς φθαριά. Η μπαταρία μπορεί να εκραγεί σε φωτιά.
8. Να προσέχετε να μη σας πέσει η μπαταρία και να μην συγκρουστεί με κάποιο αντικείμενο.
9. Μην χρησιμοποιείτε μια μπαταρία που έχει υποστεί βλάβη.
10. Ακολουθήστε τους τοπικούς κανονισμούς σχετικά με την απόρριψη της μπαταρίας.

ΦΥΛΑΞΤΕ ΑΥΤΕΣ ΤΙΣ ΟΔΗΓΙΕΣ.

Συμβουλές για τη διατήρηση της μέγιστης ζωής της μπαταρίας

1. Να φορτίζετε την μπαταρία πριν αποφορτιστεί εντελώς.
Πάντοτε να διακόπτετε τη λειτουργία του εργαλείου και να φορτίζετε την μπαταρία όταν παρατηρείται μειωμένη ισχύ του εργαλείου.
2. Ποτέ μην επαναφορτίζετε μια πλήρως φορτισμένη μπαταρία.
Αν υπερφορτίσετε την μπαταρία, μειώνεται η ωφέλιμη διάρκεια ζωής της.
3. Να φορτίζετε την μπαταρία σε θερμοκρασία δωματίου, δηλαδή στους 10°C έως 40°C (50°F έως 104°F). Αν η μπαταρία είναι θερμή, αφήστε την να ψυχθεί πριν τη φορτίσετε.
4. Να φορτίζετε την κασέτα μπαταρία μια φορά κάθε έξι μήνες όταν δεν τη χρησιμοποιείτε για μεγάλο χρονικό διάστημα.

ΠΕΡΙΓΡΑΦΗ ΛΕΙΤΟΥΡΓΙΑΣ

ΠΡΟΣΟΧΗ:

- Να βεβαιώσετε πάντοτε ότι έχετε σβήσει το εργαλείο και έχετε βγάλει την μπαταρία πριν ρυθμίσετε ή ελέγξετε κάποια λειτουργία του εργαλείου.

Τοποθέτηση ή αφαίρεση της μπαταρίας (Εικ. 1)

- Πάντοτε να απενεργοποιείτε το εργαλείο πριν από την τοποθέτηση ή την αφαίρεση της κασέτας μπαταρίας.
- Για να βγάλετε την κασέτα μπαταρίας, σύρετε την από το εργαλείο ολισθαίνοντας το κουμπί στο μπροστινό μέρος της κασέτας.
- Για να τοποθετήσετε την κασέτα μπαταρίας, ευθυγραμμίστε τη γλωττίδα της κασέτας μπαταρίας με την εγκοπή στο περίβλημα και ολισθήστε τη στη θέση της. Πάντοτε να την τοποθετείτε έως το τέρμα, δηλαδή έως ότου ασφαλίσει στη θέση και ακουστεί ένας χαρακτηριστικός ήχος "κλικ". Αν μπορείτε να δείτε την κόκκινη ένδειξη στην πάνω πλευρά του κουμπιού, η μπαταρία δεν είναι πλήρως ασφαλισμένη. Τοποθετήστε την πλήρως για να μη φαίνεται η κόκκινη ένδειξη. Σε αντίθετη περίπτωση, μπορεί να πέσει κατά λάθος από το εργαλείο και να τραυματίσει εσάς ή κάποιον παρευρισκόμενο.
- Να μη χρησιμοποιείτε δύναμη όταν τοποθετείτε την κασέτα μπαταρίας. Αν η κασέτα δεν ολισθαίνει με ευκολία, δεν την εισήγατε σωστά.

Σύστημα ασφαλείας

⚠️ ΠΡΟΕΙΔΟΠΟΙΗΣΗ:

- Να βεβαιώνετε ότι όλα τα συστήματα ασφαλείας βρίσκονται σε καλή κατάσταση πριν από τη λειτουργία. Αν δεν τηρείτε αυτήν την οδηγία, μπορεί να προκληθεί τραυματισμός. (Εικ. 2)

Πριν να καρφώσετε, δοκιμάζετε τα συστήματα ασφαλείας για πιθανή εσφαλμένη λειτουργία, ως εξής.

1. Βεβαιωθείτε πως το εργαλείο δεν είναι φορτωμένο με καρφιά πριν από τη δοκιμή.
2. Τραβήξτε την κυλιόμενη θύρα του γεμιστήρα προς τα εσάς. (Εικ. 3)
3. Το εργαλείο θα λειτουργήσει κατά λάθος μόνο αν η σκανδάλη έχει τραβηχτεί παρότι δεν έχει τραβηχτεί ο μοχλός.
4. Το εργαλείο δε λειτουργεί όταν η σκανδάλη έχει τραβηχτεί με τραβηγμένο το μοχλό.

Στην περίπτωση 3 και 4 παραπάνω, τα συστήματα ασφαλείας έχουν παρουσιάσει βλάβη.

Σκανδάλη και μοχλός

⚠️ ΠΡΟΣΟΧΗ:

- Πριν την τοποθέτηση της κασέτας μπαταρίας στο εργαλείο, πάντοτε να ελέγχετε ότι η σκανδάλη-διακόπτης ενεργοποιείται κανονικά και επιστρέφει στη θέση «OFF» όταν την αφήνετε. (Εικ. 4)

Το εργαλείο παρέχεται με ένα μοχλό ως σύστημα ασφαλείας εκτός από τη συνηθισμένη σκανδάλη. (Εικ. 5) Για την εκτόξευση καρφίων, τραβήξτε το μοχλό και έπειτα πατήστε τη σκανδάλη.

Ρυθμίστε το βάθος του καρφώματος

⚠️ ΠΡΟΕΙΔΟΠΟΙΗΣΗ:

- Να βεβαιώνετε πάντα πως τα δάκτυλά σας δεν έχουν τοποθετηθεί στη σκανδάλη ή στο μοχλό και πως έχει αφαιρεθεί η μπαταρία πριν το γέμισμα του εργαλείου. (Εικ. 6)

Το βάθος καρφώματος του εργαλείου μπορεί να ρυθμιστεί. Γυρίστε δύο μπουλόνια κατά ένα τέταρτο της

στροφής χρησιμοποιώντας το εξαγωνικό κλειδί που συνοδεύει το εργαλείο και το καπάκι της σχισμής στον οδηγό θα κυλίσει προς τα πάνω ή προς τα κάτω. Το βάθος μπορεί να ρυθμιστεί κατά το πολύ 1,5 mm. Στο επιθυμητό βάθος, ασφαλίστε το καλά με δύο μπουλόνια.

Άναμμα των λαμπών

⚠️ ΠΡΟΣΟΧΗ:

- Μην κοιτάτε κατευθείαν μέσα στο φως ή στην πηγή φωτός. (Εικ. 7)

Για να ανάψετε τη λάμπα, τραβήξτε το μοχλό. Για να τη σβήσετε, αφήστε το μοχλό.

ΣΗΜΕΙΩΣΗ:

- Χρησιμοποιήστε ένα στεγνό πανί για να σκουπίσετε τη σκόνη από το φακό της λάμπας. Προσέχετε να μη γρατσουνίσετε το φακό της λάμπας, επειδή μπορεί να μειωθεί η ένταση του φωτισμού.
- Ακόμα και αν η λάμπα ανάψει όταν η μπαταρία είναι πεσμένη, το εργαλείο ίσως να μην μπορεί να εκτοξεύσει καρφιά. Σε αυτήν την περίπτωση, φορτίστε τη μπαταρία.

Συσκευή προστασίας από το κάρφωμα χωρίς καρφιά

⚠️ ΠΡΟΣΟΧΗ:

- Να βεβαιώνετε πάντα πως τα δάκτυλά σας δεν έχουν τοποθετηθεί στη σκανδάλη ή στο μοχλό και πως έχει αφαιρεθεί η μπαταρία πριν το γέμισμα του εργαλείου. Όταν ο αριθμός των καρφίων που απομένουν στο γεμιστήρα είναι 0 - 3 τεμ., η σκανδάλη δεν μπορεί πλέον να πατηθεί. Τότε, τοποθετήστε μία νέα λωρίδα καρφίων στο γεμιστήρα και η σκανδάλη μπορεί να πατηθεί ξανά.

ΣΗΜΕΙΩΣΗ:

- Όταν εκτοξεύετε ένα διαφορετικό μήκος καρφίων σύντομα μετά την ενεργοποίηση της συσκευής προστασίας από το κάρφωμα χωρίς καρφιά, να τοποθετείτε μία νέα λωρίδα καρφίων στο γεμιστήρα και να εκτοξεύετε όλα τα εναπομείναντα προηγούμενα καρφιά σε ανεπιθύμητο υλικό.

ΣΥΝΑΡΜΟΛΟΓΗΣΗ

⚠️ ΠΡΟΣΟΧΗ:

- Να βεβαιώνετε πάντα πως τα δάκτυλά σας δεν έχουν τοποθετηθεί στη σκανδάλη ή στο μοχλό και πως έχει αφαιρεθεί η μπαταρία πριν να πραγματοποιήσετε εργασίες στο εργαλείο.

Φόρτωση του εργαλείου

⚠️ ΠΡΟΣΟΧΗ:

- Να βεβαιώνετε πάντα πως τα δάκτυλά σας δεν έχουν τοποθετηθεί στη σκανδάλη ή στο μοχλό και πως έχει αφαιρεθεί η μπαταρία πριν το γέμισμα του εργαλείου.
- Μην κυλάτε απότομα το γεμιστήρα καρφίων όταν είναι γεμάτος. Το κατά λάθος πέσιμο καρφίων, ειδικά όταν εργάζεστε σε υψηλά μέρη, ενδέχεται να προκαλέσει τραυματισμό.
- Φορτώνετε τα καρφιά στη σωστή κατεύθυνση. Η φόρτωση σε λάθος κατεύθυνση ενδέχεται να προκαλέσει πρόωρη φθορά του οδηγού και ζημιά στα υπόλοιπα μέρη του εργαλείου. (Εικ. 8)

Αφαιρέστε τη μπαταρία.

Πατήστε το μοχλό κλειδώματος και κυλίστε το γεμιστήρα. Τοποθετήστε καρφιά στο γεμιστήρα και εισάγετέ στη σχισμή μέχρι το τέλος. (Προσέξτε να τοποθετήσετε τα καρφιά στη σωστή κατεύθυνση.) Κρατώντας τα καρφιά σε αυτήν την θέση, τοποθετήστε τα τελείως μέσα στη σχισμή στον οδηγό. Επιστρέψτε το γεμιστήρα στην αρχική θέση και κλειδώστε τον με το μοχλό κλειδώματος.

⚠️ ΠΡΟΣΟΧΗ:

- Μη χρησιμοποιείτε παραμορφωμένα χρησιμοποιημένα καρφιά. Να χρησιμοποιείτε μόνο καρφιά που καθορίζονται στο εγχειρίδιο αυτό. Η χρήση καρφιών εκτός από τα καθορισμένα ενδέχεται να προκαλέσει κόλλημα των καρφιών και ζημιά στο εργαλείο.

Αδειασμα του εργαλείου

⚠️ ΠΡΟΣΟΧΗ:

- Όταν αφαιρέσετε καρφιά, να βεβαιώνετε πως τα δάκτυλά σας δεν έχουν τοποθετηθεί στη σκανδάλη ή στο μοχλό και πως έχει αφαιρεθεί η μπαταρία από το εργαλείο. Η αφλογιστία μπορεί να προκαλέσει τραυματισμό και ζημιές.

Αφαιρέστε τη μπαταρία.

Πατήστε το μοχλό κλειδώματος και κυλίστε το γεμιστήρα.

Αφαιρέστε τα καρφιά από τη σχισμή του γεμιστήρα.

Προσαρμογέας μύτης

⚠️ ΠΡΟΣΟΧΗ:

- Να βεβαιώνετε πάντα πως τα δάκτυλά σας δεν έχουν τοποθετηθεί στη σκανδάλη ή στο μοχλό και πως έχει αφαιρεθεί η μπαταρία πριν την εγκατάσταση του προσαρμογέα μύτης. **(Εικ. 9)**

Όταν εκτοξεύετε καρφιά στο υλικό που θα δεθεί με επιφάνειες που παραμορφώνονται εύκολα, να χρησιμοποιείτε τον προσαρμογέα μύτης. Για να εγκαταστήσετε τον προσαρμογέα μύτης, τοποθετήστε τον πάνω στο καπάκι της σχισμής στον οδηγό, ώστε η προεξοχή στο εσωτερικό του προσαρμογέα μύτης να ταιριάζει στη σχισμή στο καπάκι της σχισμής στον οδηγό. Όταν δε χρησιμοποιείται, αποθηκεύετε τον προσαρμογέα μύτης στη θήκη στο πίσω άκρο του γεμιστήρα για να μη χαθεί.

Γάντζος

⚠️ ΠΡΟΣΟΧΗ:

- Να βεβαιώνετε πάντα πως τα δάκτυλά σας δεν έχουν τοποθετηθεί στη σκανδάλη ή στο μοχλό και πως έχει αφαιρεθεί η μπαταρία πριν να χρησιμοποιήσετε το γάντζο. **(Εικ. 10)**

⚠️ ΠΡΟΣΟΧΗ:

- Μη κρέματε το γάντζο από τη ζώνη της μέσης. Αν ο γάντζος φύγει τυχαία από τη θέση του και προκαλέσει το πάσιμο του εργαλείου, μπορεί να υπάρξει κατά λάθος εκτόξευση και να προκληθεί τραυματισμός. **(Εικ. 11)**

Ο γάντζος χρησιμεύει για το προσωρινό κρέμασμα του εργαλείου.

Μπορείτε να τον τοποθετήσετε σε οποιαδήποτε πλευρά του εργαλείου.

Για να τοποθετήσετε το γάντζο, βάλτε τον σε μια εγκοπτή στο περίβλημα του εργαλείου σε οποιαδήποτε πλευρά του και κατόπιν ασφαλίστε τον με μια βίδα.

Για να τον βγάλετε, χαλαρώστε τη βίδα και κατόπιν αφαιρέστε τον.

Αποθήκευση εξαγωνικού άλεν (Εικ. 12)

Όταν δεν χρησιμοποιείτε το εξαγωνικό άλεν, αποθηκεύστε το, όπως απεικονίζεται, για να μην το χάσετε.

ΛΕΙΤΟΥΡΓΙΑ

Εκτόξευση καρφιών

⚠️ ΠΡΟΕΙΔΟΠΟΙΗΣΗ:

- Πριν να πατήσετε τη σκανδάλη, να βεβαιώνετε πάντα πως το άνοιγμα από το οποίο εκτοξεύονται τα καρφιά είναι σε επαφή με το υλικό που θα δεθεί. Το απλό πάτημα της σκανδάλης εκτοξεύει καρφιά. Η κατά λάθος εκτόξευση μπορεί να προκαλέσει τραυματισμό. **(Εικ. 13)**

Τοποθετήστε επίπεδο το άνοιγμα του εργαλείου από το οποίο εκτοξεύονται τα καρφιά στο υλικό που θα δεθεί και κρατήστε καλά το εργαλείο ενάντια στο υλικό. Έπειτα, τραβήξτε το μοχλό και πατήστε τελείως τη σκανδάλη για να εκτοξευτούν καρφιά. Η λαβή έχει τέτοιο σχήμα ώστε η κεφαλή του εργαλείου να μπορεί να κρατηθεί με ασφάλεια προς τα κάτω με το δείκτη και τον αντίχειρα. Μετά την εκτόξευση ενός καρφιού, βεβαιωθείτε πως έχετε αφήσει τελείως τη σκανδάλη. **(Εικ. 14)**

Όταν η κεφαλή ενός εκτοξευμένου καρφιού παραμένει πάνω από την επιφάνεια του υλικού, εκτοξεύστε το καρφί ενώ κρατάτε καλά την κεφαλή του εργαλείου.

ΣΗΜΕΙΩΣΗ:

- Όταν πατηθεί η σκανδάλη μετά από μία γρήγορη ενέργεια της σκανδάλης, το εργαλείο ίσως να μην κάνει τίποτα αλλά λειτουργεί στιγμιαία και ενδέχεται να μην εκτοξεύσει καρφιά. Αυτό δεν αποτελεί πρόβλημα. Εκείνη τη στιγμή, αφήστε τη σκανδάλη, πατήστε την ξανά και μπορούν να εκτοξευτούν τα καρφιά.
- Η συνεχής χρήση του εργαλείου με την κεφαλή των εκτοξευμένων καρφιών να παραμένει πάνω από την επιφάνεια του υλικού που θα δεθεί ενδέχεται να προκαλέσει ζημιά στον οδηγό του εργαλείου, κόλλημα των καρφιών, κτλ.

Αφαίρεση κολλημένων καρφιών

⚠️ ΠΡΟΕΙΔΟΠΟΙΗΣΗ:

- Να βεβαιώνετε πάντα πως έχει ελευθερωθεί ο μοχλός και πως έχει αφαιρεθεί η μπαταρία πριν από την αφαίρεση κολλημένων καρφιών. **(Εικ. 15)**

Αφαιρέστε τη μπαταρία από το εργαλείο.

Αφαιρέστε τα καρφιά που παραμένουν μέσα στο γεμιστήρα.

Χαλαρώστε το μπουλόνι (Α) και το μπουλόνι (Β) γυρίζοντάς τα περίπου δύο στροφές χρησιμοποιώντας το εξαγωνικό κλειδί που συνοδεύει το εργαλείο.

Αφαιρέστε το καπάκι της σχισμής στον οδηγό μετακινώντας το.

Αφαιρέστε τα κολλημένα καρφιά, τα θραύσματα, τις κόλλες, τα κομμάτια ξύλου κτλ, από τη διαδρομή των καρφιών.

Ελέγξτε το καπάκι της σχισμής του οδηγού για κολλημένα καρφιά ή άλλα ξένα αντικείμενα και έπειτα ασφαλίστε το με αυτά τα δύο μπουλόνια.

ΣΥΝΤΗΡΗΣΗ

⚠️ ΠΡΟΣΟΧΗ:

- Να βεβαιώνετε πάντοτε ότι το εργαλείο είναι σβηστό και αφαιρέσατε την μπαταρία πριν εκτελέσετε οποιαδήποτε εργασία ελέγχου ή συντήρησης σε αυτό.
- Μην χρησιμοποιήσετε βενζίνη, βενζόλη, διαλυτικό, αλκοόλη ή κάτι παρόμοιο. Μπορεί να προκληθεί αποχρωματισμός, παραμόρφωση ή ρωγμές.
- Για να διατηρείται η ΑΣΦΑΛΕΙΑ και η ΑΞΙΟΠΙΣΤΙΑ του προϊόντος, οι εργασίες επισκευής, καθώς και οποιαδήποτε άλλη εργασία συντήρησης ή ρύθμισης, θα πρέπει να εκτελούνται σε εξουσιοδοτημένα κέντρα εξυπηρέτησης της Makita, και πάντοτε με τη χρήση ανταλλακτικών της Makita.

ΠΡΟΑΙΡΕΤΙΚΑ ΑΞΕΣΟΥΑΡ

⚠️ ΠΡΟΣΟΧΗ:

- Συνιστάται η χρήση αυτών των αξεσουάρ ή εξαρτημάτων με το εργαλείο της Makita, όπως περιγράφεται στο παρόν εγχειρίδιο. Αν χρησιμοποιήσετε άλλα αξεσουάρ ή εξαρτήματα μπορεί να παρουσιαστεί κίνδυνος για πρόκληση τραυματισμού προσώπων. Να χρησιμοποιείτε τα αξεσουάρ και τα εξαρτήματα μόνο για το σκοπό για τον οποίο προορίζονται.

Αν χρειάζεστε κάποια βοήθεια ή περισσότερες πληροφορίες σχετικά με τα αξεσουάρ αυτά, απευθυνθείτε στο πλησιέστερο κέντρο εξυπηρέτησης της Makita.

- Καρφιά
- Διάφοροι τύποι γνήσιων μπαταριών και φορτιστών της Makita
- Γυαλιά προστασίας

ΣΗΜΕΙΩΣΗ:

- Ορισμένα από τα στοιχεία της λίστα μπορεί να περιέχονται στην συσκευασία του εργαλείου ως κανονικά αξεσουάρ. Αυτά ενδέχεται να διαφέρουν από χώρα σε χώρα.

Θόρυβος

ENG905-1

Το σύνθηες σταθμισμένο επίπεδο θορύβου που έχει καθοριστεί σύμφωνα με την EN60745:

Μοντέλο DPT350

Επίπεδο ηχητικής πίεσης (L_{pA}): 75 dB (A)

Αβεβαιότητα (K): 3 dB (A)

Το επίπεδο θορύβου σε λειτουργία ενδέχεται να υπερβεί τα 80 dB (A).

Μοντέλο DPT351

Επίπεδο ηχητικής πίεσης (L_{pA}): 74 dB (A)

Αβεβαιότητα (K): 3 dB (A)

Το επίπεδο θορύβου σε λειτουργία ενδέχεται να υπερβεί τα 80 dB (A).

Να φοράτε ωτοασπίδες.

Δόνηση

ENG904-2

Η τιμή εκπομπής δόνησης έχει καθοριστεί σύμφωνα με το EN60745:

Εκπομπή δόνησης (a_{h1}): 2,5 m/s² ή λιγότερο
Αβεβαιότητα (K): 1,5 m/s²

ENG901-1

- Η δηλωθείσα τιμή των παραγομένων κραδασμών έχει καταμετρηθεί σύμφωνα με την τυποποιημένη μέθοδο δοκιμασίας και μπορεί να χρησιμοποιηθεί για την σύγκριση ενός εργαλείου με ένα άλλο.
- Η δηλωθείσα τιμή των παραγομένων κραδασμών μπορεί επίσης να χρησιμοποιηθεί για μια προκαταρκτική αξιολόγηση της έκθεσης στους κραδασμούς.

⚠️ ΠΡΟΕΙΔΟΠΟΙΗΣΗ:

- Η εκπομπή κραδασμών κατά τη διάρκεια της πραγματικής χρήσης του ηλεκτρικού εργαλείου μπορεί να διαφέρει από τη δηλωθείσα τιμή των εκπομπών, ανάλογα με τον τρόπο με τον οποίο χρησιμοποιείται το εργαλείο.
- Φροντίστε να λάβετε τα μέτρα ασφαλείας που απαιτούνται για την προστασία του χρήστη που βασίζονται σε μια εκτίμηση της έκθεσης σε πραγματικές συνθήκες χρήσης (λαμβάνοντας υπόψη όλα τα μέρη του κύκλου λειτουργίας, όπως είναι οι περιπτώσεις κατά τις οποίες το εργαλείο είναι απενεργοποιημένο και όταν λειτουργεί στο ρελαντί επιπροσθέτως του χρόνου κατά τον οποίο το εργαλείο βρίσκεται σε χρήση).

Για Ευρωπαϊκές χώρες μόνο

ENH101-15

ΕΚ-Δήλωση συμμόρφωσης

Η Εταιρία Makita ως υπεύθυνος κατασκευαστής, δηλώνει ότι το παρακάτω μηχάνημα ή μηχανήματα της Makita:

Όνομασία μηχανήματος:

Ασύρματο Καρφωτικό Πιστόλι

Αρ. Μοντέλου/ Τύπος: DPT350, DPT351

αποτελεί παραγωγή σε σειρά και

Συμμορφώνεται με τις ακόλουθες Ευρωπαϊκές

Οδηγίες:

2006/42/EK

Και κατασκευάζεται σύμφωνα με τα παρακάτω πρότυπα ή τυποποιημένα έγγραφα:

EN60745

Ο εξουσιοδοτημένος μας αντιπρόσωπος στην Ευρώπη

διατρεί τα τεχνικά έγγραφα, ο οποίος είναι:

Makita International Europe Ltd.

Michigan Drive, Tongwell,

Milton Keynes, Bucks MK15 8JD, England

22. 12. 2010



Tomoyasu Kato

Διευθυντής

Makita Corporation

3-11-8, Sumiyoshi-cho,

Anjo, Aichi, 446-8502, JAPAN

Makita Corporation

Anjo, Aichi, Japan