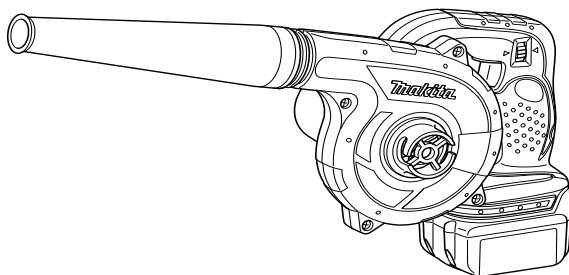


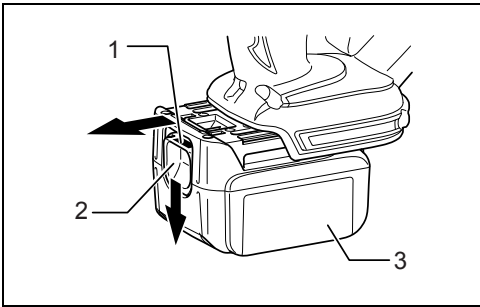


GB	Cordless Blower	Instruction manual
F	Souffleur sans fil	Manuel d'instructions
D	Kabelloses Gebläse	Betriebsanleitung
I	Soffiante senza fili	Istruzioni per l'uso
NL	Acculuchtblazer	Gebruiksaanwijzing
E	Soplador sin cable	Manual de instrucciones
P	Soprador sem fios	Manual de instruções
DK	Batteridrevet blæser	Brugsanvisning
S	Batteridreven lövblås	Bruksanvisning
N	Trådløs blåser	Bruksanvisning
FIN	Akkukäyttöinen puhallin	Käyttöohje
GR	Φουσητήρας με μπαταρία	Οδηγίες χρήσης
TK	Kablosuz Üfleiyici	Kullanım Kılavuzu
PL	Dmuchawa akumulatorowa	Instrukcja obsługi
RU	Беспроводная воздуходувка	Инструкция по эксплуатации
BZ	Soprador sem fio	Manual de instruções
LV	Bezvadu pūtējs	Lietošanas rokasgrāmata
EE	Juhtmevaba puhuja	Kasutusjuhend
LT	Bevielis pūstuvās	Naudojimo instrukcija
CH	充电式吹风机	使用说明书

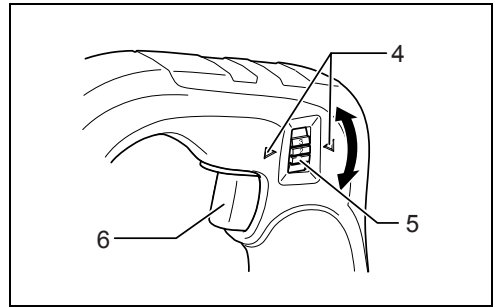
BUB142

BUB182

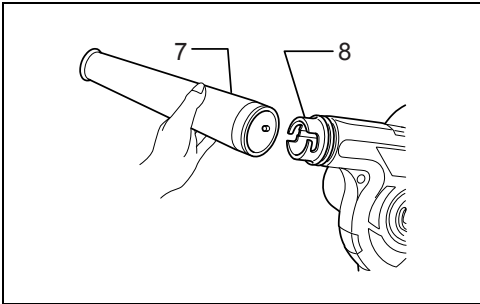




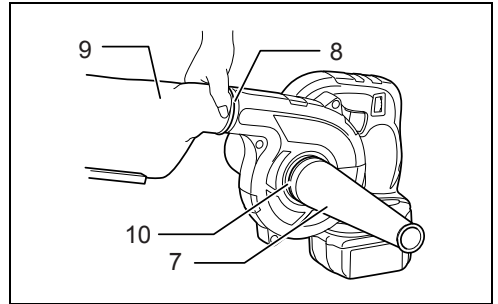
1



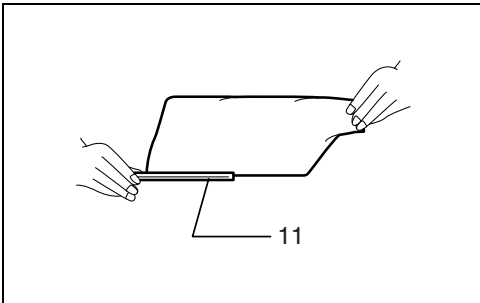
2



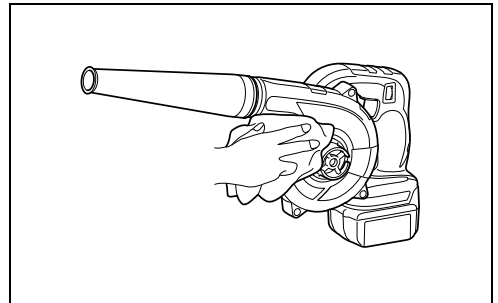
3



4



5



6

ENGLISH (Original instructions)

Explanation of general view

- | | | |
|----------------------|------------------------------|-------------------|
| 1. Red part | 5. Air volume adjusting dial | 9. Dust bag |
| 2. Button | 6. Switch trigger | 10. Suction inlet |
| 3. Battery cartridge | 7. Nozzle | 11. Fastener |
| 4. Pointers | 8. Blower outlet | |

SPECIFICATIONS

	Model	BUB142	BUB182
Capacities	Air pressure (water column)	0 - 550 mm	
	Air volume	0 - 2.6 m ³ /min	
No load speed (min ⁻¹)		0 - 18,000	
Overall length		509 mm	
Net weight		1.6 kg	1.7 kg
Rated voltage		D.C. 14.4 V	D.C. 18 V

- Due to our continuing programme of research and development, the specifications herein are subject to change without notice.
- Specifications and battery cartridge may differ from country to country.
- Weight, with battery cartridge, according to EPTA-Procedure 01/2003

Symbols

END004-4

The following show the symbols used for the equipment.
Be sure that you understand their meaning before use.



..... Read instruction manual.



..... Only for EU countries

Do not dispose of electric equipment or battery pack together with household waste material!
In observance of European Directive 2002/96/EC on waste electric and electronic equipment, 2006/66/EC on batteries and accumulators and waste batteries and accumulators and their implementation in accordance with national laws, electric equipment and battery pack that have reached the end of their life must be collected separately and returned to an environmentally compatible recycling facility.

Intended use

BNE018-1

The tool is intended for blowing dust.

General Power Tool Safety Warnings

GEA006-2

⚠ WARNING Read all safety warnings and all instructions. Failure to follow the warnings and instructions may result in electric shock, fire and/or serious injury.

Save all warnings and instructions for future reference.

The term “power tool” in the warnings refers to your mains-operated (corded) power tool or battery-operated (cordless) power tool.

Work area safety

1. **Keep work area clean and well lit.** Cluttered or dark areas invite accidents.
2. **Do not operate power tools in explosive atmospheres, such as in the presence of flammable liquids, gases or dust.** Power tools create sparks which may ignite the dust or fumes.
3. **Keep children and bystanders away while operating a power tool.** Distractions can cause you to lose control.

Electrical Safety

4. **Power tool plugs must match the outlet. Never modify the plug in any way. Do not use any adapter plugs with earthed (grounded) power tools.** Unmodified plugs and matching outlets will reduce risk of electric shock.
5. **Avoid body contact with earthed or grounded surfaces such as pipes, radiators, ranges and refrigerators.** There is an increased risk of electric shock if your body is earthed or grounded.
6. **Do not expose power tools to rain or wet conditions.** Water entering a power tool will increase the risk of electric shock.
7. **Do not abuse the cord. Never use the cord for carrying, pulling or unplugging the power tool. Keep cord away from heat, oil, sharp edges or moving parts.** Damaged or entangled cords increase the risk of electric shock.
8. **When operating a power tool outdoors, use an extension cord suitable for outdoor use.** Use of a cord suitable for outdoor use reduces the risk of electric shock.
9. **If operating a power tool in a damp location is unavoidable, use a ground fault circuit interrupter**

(GFCI) protected supply. Use of an GFCI reduces the risk of electric shock.

Personal Safety

10. **Stay alert, watch what you are doing and use common sense when operating a power tool. Do not use a power tool while you are tired or under the influence of drugs, alcohol or medication.** A moment of inattention while operating power tools may result in serious personal injury.
11. **Use personal protective equipment. Always wear eye protection.** Protective equipment such as dust mask, non-skid safety shoes, hard hat, or hearing protection used for appropriate conditions will reduce personal injuries.
12. **Prevent unintentional starting. Ensure the switch is in the off-position before connecting to power source and/or battery pack, picking up or carrying the tool.** Carrying power tools with your finger on the switch or energising power tools that have the switch on invites accidents.
13. **Remove any adjusting key or wrench before turning the power tool on.** A wrench or a key left attached to a rotating part of the power tool may result in personal injury.
14. **Do not overreach. Keep proper footing and balance at all times.** This enables better control of the power tool in unexpected situations.
15. **Dress properly. Do not wear loose clothing or jewellery. Keep your hair, clothing, and gloves away from moving parts.** Loose clothes, jewellery or long hair can be caught in moving parts.
16. **If devices are provided for the connection of dust extraction and collection facilities, ensure these are connected and properly used.** Use of dust collection can reduce dust-related hazards.

Power tool use and care

17. **Do not force the power tool. Use the correct power tool for your application.** The correct power tool will do the job better and safer at the rate for which it was designed.
18. **Do not use the power tool if the switch does not turn it on and off.** Any power tool that cannot be controlled with the switch is dangerous and must be repaired.
19. **Disconnect the plug from the power source and/or the battery pack from the power tool before making any adjustments, changing accessories, or storing power tools.** Such preventive safety measures reduce the risk of starting the power tool accidentally.
20. **Store idle power tools out of the reach of children and do not allow persons unfamiliar with the power tool or these instructions to operate the power tool.** Power tools are dangerous in the hands of untrained users.
21. **Maintain power tools. Check for misalignment or binding of moving parts, breakage of parts and any other condition that may affect the power tool's operation. If damaged, have the power tool**

repaired before use. Many accidents are caused by poorly maintained power tools.

22. **Keep cutting tools sharp and clean.** Properly maintained cutting tools with sharp cutting edges are less likely to bind and are easier to control.
23. **Use the power tool, accessories and tool bits etc. in accordance with these instructions, taking into account the working conditions and the work to be performed.** Use of the power tool for operations different from those intended could result in a hazardous situation.

Battery tool use and care

24. **Recharge only with the charger specified by the manufacturer.** A charger that is suitable for one type of battery pack may create a risk of fire when used with another battery pack.
25. **Use power tools only with specifically designated battery packs.** Use of any other battery packs may create a risk of injury and fire.
26. **When battery pack is not in use, keep it away from other metal objects, like paper clips, coins, keys, nails, screws or other small metal objects, that can make a connection from one terminal to another.** Shorting the battery terminals together may cause burns or a fire.
27. **Under abusive conditions, liquid may be ejected from the battery; avoid contact. If contact accidentally occurs, flush with water. If liquid contacts eyes, additionally seek medical help.** Liquid ejected from the battery may cause irritation or burns.

Service

28. **Have your power tool serviced by a qualified repair person using only identical replacement parts.** This will ensure that the safety of the power tool is maintained.
29. **Follow instruction for lubricating and changing accessories.**
30. **Keep handles dry, clean and free from oil and grease.**

CORDLESS BLOWER SAFETY WARNINGS

GEB076-1

1. **Always use protective goggles, a cap and mask when using the blower.**
2. **Never point the nozzle at anyone in the vicinity when using the blower.**
3. **Always use the dust bag when collecting dust, chips and the like.**
4. **Do not collect still smoldering cigarette ashes, freshly cut metals shavings, screws, nails and the like. Warning - Electric shock could occur if used on wet surfaces. Do not expose to rain. Store indoors.**
5. **Never block suction inlet and/or blower outlet. Increased motor revolution may cause dangerous fan breakage.**
6. **The blower is not intended for use by young children or infirm persons without supervision.**

7. Young children should be supervised to ensure that they do not play with the blower.

SAVE THESE INSTRUCTIONS.

WARNING:

DO NOT let comfort or familiarity with product (gained from repeated use) replace strict adherence to safety rules for the subject product. MISUSE or failure to follow the safety rules stated in this instruction manual may cause serious personal injury.

IMPORTANT SAFETY INSTRUCTIONS

ENC007-5

FOR BATTERY CARTRIDGE

1. Before using battery cartridge, read all instructions and cautionary markings on (1) battery charger, (2) battery, and (3) product using battery.
2. Do not disassemble battery cartridge.
3. If operating time has become excessively shorter, stop operating immediately. It may result in a risk of overheating, possible burns and even an explosion.
4. If electrolyte gets into your eyes, rinse them out with clear water and seek medical attention right away. It may result in loss of your eyesight.
5. Do not short the battery cartridge:
 - (1) Do not touch the terminals with any conductive material.
 - (2) Avoid storing battery cartridge in a container with other metal objects such as nails, coins, etc.
 - (3) Do not expose battery cartridge to water or rain.
A battery short can cause a large current flow, overheating, possible burns and even a breakdown.
6. Do not store the tool and battery cartridge in locations where the temperature may reach or exceed 50°C (122°F).
7. Do not incinerate the battery cartridge even if it is severely damaged or is completely worn out. The battery cartridge can explode in a fire.
8. Be careful not to drop or strike battery.
9. Do not use a damaged battery.

SAVE THESE INSTRUCTIONS.

Tips for maintaining maximum battery life

1. Charge the battery cartridge before completely discharged.
Always stop tool operation and charge the battery cartridge when you notice less tool power.
2. Never recharge a fully charged battery cartridge. Overcharging shortens the battery service life.
3. Charge the battery cartridge with room temperature at 10°C - 40°C (50°F - 104°F).
Let a hot battery cartridge cool down before charging it.

FUNCTIONAL DESCRIPTION

CAUTION:

- Always be sure that the tool is switched off and the battery cartridge is removed before adjusting or checking function on the tool.

Installing or removing battery cartridge (Fig. 1)

- Always switch off the tool before insertion or removal of the battery cartridge.
- To remove the battery cartridge, withdraw it from the tool while pressing the buttons on both sides of the cartridge.
- To insert the battery cartridge, align the tongue on the battery cartridge with the groove in the housing and slip it into place. Always insert it all the way until it locks in place with a little click. If not, it may accidentally fall out of the tool, causing injury to you or someone around you.
- Do not use force when inserting the battery cartridge. If the cartridge does not slide in easily, it is not being inserted correctly.

Switch action

CAUTION:

- Before inserting the battery cartridge into the tool, always check to see that the switch trigger actuates properly and returns to the "OFF" position when released.

To start the tool, simply pull the switch trigger. Tool speed is increased by increasing pressure on the switch trigger. Release the switch trigger to stop. (Fig. 2)

Air volume adjusting dial

Air volume can be adjusted to any of three settings by turning the adjusting dial with the switch trigger fully depressed. Refer to the table below for the relationship between the number on the dial and the air volume.

Number on the dial	Air volume
3	High
2	Medium
1	Low

CAUTION:

- Use the adjusting dial only after the switch trigger returns to the "OFF" position. Turning the dial before the trigger returns may damage the tool.
- If the tool is operated continuously until the battery cartridge has discharged, rest the tool for at least 15 minutes before proceeding with a fresh battery.

ASSEMBLY

Blowing

For dust blowing, attach nozzle to blower outlet, turning clockwise to lock it in place. (Fig. 3)

Dust suction (Fig. 4)

For dust suction, fit nozzle onto suction inlet and dust bag onto blower outlet.

After the bag fills with dust, empty the contents of the dust bag into a dust bin by releasing the fastener. (Fig. 5)

ENG901-1

CAUTION:

- Empty the dust bag before it becomes too full, or the suction force weakens.

MAINTENANCE

CAUTION:

- Always be sure that the tool is switched off and the battery cartridge is removed before attempting to perform inspection or maintenance.
- Never use gasoline, benzene, thinner, alcohol or the like. Discoloration, deformation or cracks may result.

Cleaning

From time to time, wipe off the outside of the tool using a cloth dampened in soapy water. Never use gasoline, thinner or the like, or discoloration and/or cracks can take place. (Fig. 6)

To maintain product SAFETY and RELIABILITY, repairs, any other maintenance or adjustment should be performed by Makita Authorized Service Centers, always using Makita replacement parts.

ACCESSORIES

CAUTION:

- These accessories or attachments are recommended for use with your Makita tool specified in this manual. The use of any other accessories or attachments might present a risk of injury to persons. Only use accessory or attachment for its stated purpose.

If you need any assistance for more details regarding these accessories, ask your local Makita Service Center.

- Nozzle
- Dust bag
- Corner nozzle
- Straight pipe
- Flexible hose
- Joint
- Various type of Makita genuine batteries and chargers

Noise

ENG905-1

The typical A-weighted noise level determined according to EN60745:

Model BUB142

Sound pressure level (L_{pA}): 86 dB (A)

Sound power level (L_{WA}): 97 dB (A)

Uncertainty (K): 3 dB (A)

Model BUB182

Sound pressure level (L_{pA}): 83 dB (A)

Sound power level (L_{WA}): 94 dB (A)

Uncertainty (K): 3 dB (A)

Wear ear protection.

Vibration

ENG900-1

The vibration total value (tri-axial vector sum) determined according to EN60745:

Work mode: operation without load

Vibration emission (a_h): 2.5 m/s² or less

Uncertainty (K): 1.5 m/s²

- The declared vibration emission value has been measured in accordance with the standard test method and may be used for comparing one tool with another.
- The declared vibration emission value may also be used in a preliminary assessment of exposure.

⚠ WARNING:

- The vibration emission during actual use of the power tool can differ from the declared emission value depending on the ways in which the tool is used.
- Be sure to identify safety measures to protect the operator that are based on an estimation of exposure in the actual conditions of use (taking account of all parts of the operating cycle such as the times when the tool is switched off and when it is running idle in addition to the trigger time).

For European countries only

ENH101-14

EC Declaration of Conformity

We Makita Corporation as the responsible manufacturer declare that the following Makita machine(s):

Designation of Machine:

Cordless Blower

Model No./ Type: BUB142, BUB182

are of series production and

Conforms to the following European Directives:

2006/42/EC

And are manufactured in accordance with the following standards or standardised documents:

EN60745

The technical documentation is kept by our authorised representative in Europe who is:

Makita International Europe Ltd.

Michigan Drive, Tongwell,

Milton Keynes, MK15 8JD, England

30. 1. 2009



Tomoyasu Kato
Director

Makita Corporation
3-11-8, Sumiyoshi-cho,
Anjo, Aichi, JAPAN

FRANÇAIS (Instructions d'origine)

Descriptif

- | | | |
|-----------------|---------------------------------------|---------------------------|
| 1. Partie rouge | 5. Molette de réglage du volume d'air | 8. Sortie du souffleur |
| 2. Bouton | 6. Gâchette | 9. Sac à poussières |
| 3. Batterie | 7. Embout | 10. Entrée d'aspiration |
| 4. Pointeurs | | 11. Fermeture à glissière |

SPÉCIFICATIONS

Modèle		BUB142	BUB182
Capacités	Pression d'air (colonne d'eau)	0 à 550 mm	
	Volume d'air	0 à 2,6 m ³ /min	
Vitesse à vide (min ⁻¹)		0 à 18 000	
Longueur totale		509 mm	
Poids net		1,6 kg	1,7 kg
Tension nominale		14,4 V C.C.	18 V C.C.

- Étant donné l'évolution constante de notre programme de recherche et de développement, les spécifications contenues dans ce manuel sont sujettes à modification sans préavis.
- Les spécifications et la batterie peuvent varier d'un pays à l'autre.
- Poids, batterie incluse, selon la procédure EPTA 01/2003

Symboles

END004-4

Les symboles utilisés pour l'outil sont indiqués ci-dessous.

Assurez-vous d'avoir bien compris leur signification avant d'utiliser l'outil.



..... Reportez-vous au manuel d'instructions.



..... Pour les pays européens uniquement
Ne pas jeter les appareils électriques et les batteries dans les ordures ménagères !

Conformément à la directive européenne 2002/96/CE relative aux déchets d'équipements électriques ou électroniques (DEEE) et à la directive 2006/66/CE relative aux batteries, aux accumulateurs ainsi qu'aux batteries et accumulateurs usagés et à leur transposition dans la législation nationale, les appareils électriques et les batteries doivent être collectés à part et être soumis à un recyclage respectueux de l'environnement.

Utilisations

BNE018-1

Cet outil est conçu pour le soufflage de la poussière.

Consignes de sécurité générales des outils électriques

GEA006-2

⚠ AVERTISSEMENT Veuillez lire toutes les consignes de sécurité et les instructions. Il y a un risque de choc électrique, d'incendie et/ou de blessure grave si les consignes et les instructions ne sont pas toutes respectées.

Conservez toutes les consignes et instructions pour référence ultérieure.

Le terme « outil électrique », dans toutes les mises en garde, désigne un outil électrique alimenté sur le secteur (avec un cordon d'alimentation) ou par pile (sans cordon d'alimentation).

Sécurité de l'aire de travail

1. **Gardez le lieu de travail propre et bien éclairé.** Des zones sombres ou encombrées peuvent entraîner des accidents.
2. **N'utilisez pas les outils électriques dans les atmosphères explosives, par exemple en présence de liquides, gaz ou poussières inflammables.** Les outils électriques produisent des étincelles au contact desquelles la poussière ou les vapeurs peuvent s'enflammer.
3. **Assurez-vous qu'aucun enfant ou passant ne s'approche pendant que vous utilisez un outil électrique.** Il y a un risque de perte de maîtrise de l'outil si votre attention est détournée.

Sécurité en matière d'électricité

4. **La fiche des outils électriques doit être conçue pour la prise de courant utilisée. N'intervenez jamais sur la fiche. N'utilisez aucun adaptateur de fiche sur les outils électriques avec mise à la terre.** L'utilisation de fiches non modifiées avec les prises de courant pour lesquelles elles ont été prévues réduira les risques de choc électrique.
5. **Évitez tout contact corporel avec les surfaces mises à la terre, telles que les tuyaux, radiateurs, cuisinières et réfrigérateurs.** Le risque de choc électrique augmente si votre corps est mis à la terre.
6. **N'exposez pas les outils électriques à la pluie ou à des conditions d'humidité.** Le risque de choc

électrique augmente lorsque de l'eau pénètre dans un outil électrique.

7. **Ne maltraitez pas le cordon. Ne tenez jamais votre outil par le cordon d'alimentation et ne tirez jamais sur le cordon pour le débrancher. Maintenez le cordon à l'écart de la chaleur, de l'huile, des objets à bords tranchants et des pièces en mouvement.** Le risque de choc électrique augmente lorsque les cordons sont endommagés ou enchevêtrés.
8. **Lorsque vous faites fonctionner un outil électrique à l'extérieur, utilisez un cordon prolongateur conçu à cette fin.** Le risque de choc électrique diminue lorsqu'un cordon conçu pour l'extérieur est utilisé.
9. **Si l'utilisation d'un outil électrique dans un endroit humide est inévitable, utilisez une alimentation protégée par un circuit à disjoncteur de fuite à la terre (GFCI).** L'utilisation d'un GFCI réduit le risque de choc électrique.

Sécurité personnelle

10. **Soyez vigilant, attentif à vos gestes, et faites preuve de bon sens lorsque vous utilisez un outil électrique. Évitez d'utiliser un outil électrique lorsque vous êtes fatigué ou avez pris une drogue, de l'alcool ou un médicament.** Tout moment d'inattention pendant l'utilisation d'un outil électrique comporte un risque de blessure corporelle grave.
11. **Utilisez un équipement de protection corporelle. Portez toujours des lunettes de protection.** L'utilisation d'un équipement de protection tel qu'un masque anti-poussières, des chaussures à semelles antidérapantes, un casque dur ou des protections d'oreilles dans des conditions appropriées réduiront les blessures corporelles.
12. **Prévenez tout démarrage accidentel. Assurez-vous que l'interrupteur se trouve en position d'arrêt avant de brancher l'outil à la source d'alimentation et/ou au bloc- batterie, de le ramasser ou de le porter.** Le transport d'outils électriques avec le doigt sur la gâchette ou leur branchement tandis que l'interrupteur est en position de marche ouvre la porte aux accidents.
13. **Retirez toute clé de réglage ou autre clé avant de mettre l'outil sous tension.** Toute clé laissée en place sur une pièce rotative de l'outil électrique peut provoquer des blessures corporelles.
14. **Maintenez une bonne position. Gardez une bonne prise au sol et d'une bonne position d'équilibre à tout moment.** Cela vous permettra d'avoir une meilleure maîtrise de l'outil dans les situations imprévues.
15. **Portez des vêtements adéquats. Évitez de porter des vêtements amples et des bijoux. Assurez-vous que vos cheveux, vêtements et gants demeurent à l'écart des pièces en mouvement.** Les vêtements amples, bijoux et cheveux longs peuvent être happés par les pièces en mouvement.
16. **Si des accessoires sont fournis pour le raccordement d'un appareil d'aspiration et de collecte de la poussière, assurez-vous de les**

raccorder et utiliser correctement. L'utilisation d'un appareil de collecte des poussières peut réduire les dangers causés par la poussière.

Utilisation et entretien des outils électriques

17. **Ne forcez pas l'outil électrique. Utilisez l'outil électrique qui convient au travail à effectuer.** Si vous utilisez le bon outil électrique et respectez le régime pour lequel il a été conçu, il effectuera un travail de meilleure qualité, et ce de façon plus sûre.
18. **N'utilisez pas l'outil électrique si sa gâchette ne peut pas être activée et désactivée.** Tout outil électrique dont l'interrupteur ne fonctionne pas est dangereux et doit être réparé.
19. **Débranchez la fiche de la source d'alimentation et/ou retirez le bloc-pile de l'outil électrique avant d'effectuer tout réglage, de changer un accessoire ou de ranger l'outil électrique.** Ces mesures préventives réduisent les risques de démarrage accidentel de l'outil électrique.
20. **Rangez les outils électriques hors de portée des enfants et ne laissez aucune personne les utiliser si elle n'est pas familiarisée avec ceux-ci ou n'a pas pris connaissance des présentes instructions.** Les outils électriques représentent un danger entre les mains de personnes qui n'en connaissent pas le mode d'utilisation.
21. **Veillez à entretenir les outils électriques. Assurez-vous que les pièces mobiles ne sont pas désalignées ou coincées, qu'aucune pièce n'est cassée et que l'outil électrique n'a subi aucun dommage affectant son bon fonctionnement. Si l'outil électrique est endommagé, faites-le réparer avant de l'utiliser.** De nombreux accidents sont causés par des outils électriques mal entretenus.
22. **Maintenez les outils tranchants bien aiguisés et propres.** Un outil tranchant dont l'entretien est effectué correctement et dont les bords sont bien aiguisés risque moins de se coincer et est plus facile à maîtriser.
23. **Utilisez les outils, accessoires, mèches d'outils, etc., conformément aux présentes instructions, en prenant en compte les conditions de fonctionnement et le travail à effectuer.** L'utilisation d'un outil électrique à d'autres fins que celles prévues comporte un risque de situation dangereuse.

Utilisation et entretien de la batterie

24. **N'utilisez que le chargeur spécifié par le fabricant.** Un chargeur adapté à un type de batterie spécifique peut créer un risque d'incendie s'il est utilisé avec un autre type de batterie.
25. **Utilisez les outils électriques uniquement avec les batteries indiquées.** L'utilisation d'autres types de batterie peut créer un risque de blessures et d'incendie.
26. **Lorsque le bloc-batterie n'est pas utilisé, gardez-le éloigné de tout objet métallique, comme les trombones, pièces de monnaie, clefs, clous, vis ou autres petits objets métalliques susceptibles d'établir une connexion d'une borne à l'autre. Le**

fait de court-circuiter les bornes de la batterie peut provoquer des brûlures ou un incendie.

27. **En cas de mauvaise utilisation, du liquide peut fuir de la batterie ; évitez tout contact. En cas de contact accidentel, nettoyez la surface en question à l'eau. Si le liquide entre en contact avec les yeux, consultez un médecin.** Le liquide éjecté de la batterie peut provoquer une irritation ou des brûlures.

Service

28. **Faites réparer votre outil électrique par un réparateur qualifié qui utilise des pièces de rechange identiques aux pièces d'origine.** Cela permettra de garantir la sécurité de l'outil électrique.
29. **Respectez les instructions relatives à la lubrification et au remplacement des accessoires.**
30. **Maintenez les poignées de l'outil sèches, propres et exemptes d'huile ou de graisse.**

AVERTISSEMENTS DE SÉCURITÉ CONCERNANT LE SOUFFLEUR SANS FIL

GEB076-1

1. **Portez toujours des lunettes de protection, un casque et un masque lorsque vous utilisez le souffleur.**
2. **N'orientez jamais l'embout vers une personne située à proximité pendant le fonctionnement du souffleur.**
3. **Utilisez toujours le sac à poussières lors du recueil de la poussière, des copeaux et autres.**
4. **Ne recueillez pas les cendres de cigarette en combustion, les copeaux de métal fraîchement coupés, les vis, clous et autres. Avertissement : l'utilisation sur une surface mouillée risque de provoquer un choc électrique. Gardez à l'abri de la pluie. Entrez à l'intérieur.**
5. **N'obturez jamais l'entrée d'aspiration et/ou la sortie du souffleur. Un régime de rotation accru du moteur risque de provoquer la cassure du ventilateur et d'entraîner une situation dangereuse.**
6. **Le souffleur n'est pas conçu pour être utilisé sans surveillance par de jeunes enfants ou des personnes handicapées.**
7. **Les jeunes enfants doivent être surveillés pour s'assurer qu'ils ne jouent pas avec le souffleur.**

CONSERVEZ CES INSTRUCTIONS.

AVERTISSEMENT :

NE vous laissez **PAS** tromper (au fil d'une utilisation répétée) par un sentiment d'aisance et de familiarité avec le produit, en négligeant le respect rigoureux des consignes de sécurité qui accompagnent l'outil. Une **UTILISATION INCORRECTE** de l'outil ou un non-respect des consignes de sécurité indiquées dans ce manuel d'instructions peuvent causer des blessures graves.

CONSIGNES DE SÉCURITÉ IMPORTANTES

ENC007-5

POUR LA BATTERIE

1. **Avant d'utiliser la batterie, veuillez lire toutes les instructions et tous les avertissements inscrits sur (1) le chargeur, (2) la batterie et (3) l'appareil alimenté par la batterie.**
2. **Ne démontez pas la batterie.**
3. **Cessez immédiatement d'utiliser la batterie si le temps de fonctionnement devient excessivement court. Il y a risque de surchauffe, de brûlures, voire d'explosion.**
4. **Si l'électrolyte pénètre dans vos yeux, rincez-les à l'eau claire et consultez immédiatement un médecin. Il y a risque de perte de la vue.**
5. **Évitez de court-circuiter la batterie :**
 - (1) **Ne touchez les bornes avec aucun matériau conducteur.**
 - (2) **Évitez de ranger la batterie dans un contenant où se trouvent d'autres objets métalliques, tels que des clous, pièces de monnaie, etc.**
 - (3) **N'exposez pas la batterie à l'eau ou à la pluie. Un court-circuit de la batterie peut provoquer un fort courant, une surchauffe, des brûlures et même une panne.**
6. **Ne rangez pas l'outil ou la batterie dans des endroits où la température risque d'atteindre ou de dépasser 50°C (122°F).**
7. **Ne jetez pas la batterie au feu même si elle est sérieusement endommagée ou complètement épuisée. La batterie peut exploser au contact du feu.**
8. **Veillez à ne pas laisser tomber ou heurter la batterie.**
9. **N'utilisez pas de batterie endommagée.**

CONSERVEZ CES INSTRUCTIONS.

Conseils pour assurer la durée de vie optimale de la batterie

1. **Rechargez la batterie avant qu'elle ne soit complètement épuisée. Arrêtez toujours l'outil et rechargez la batterie lorsque vous constatez que la puissance de l'outil diminue.**
2. **Ne rechargez jamais une batterie complètement chargée. La surcharge réduit la durée de service de la batterie.**
3. **Chargez la batterie lorsque la température de la pièce est comprise entre 10°C et 40°C (50°F et 104°F). Si une cartouche de batterie est chaude, laissez-la refroidir avant de la charger.**

DESCRIPTION DU FONCTIONNEMENT

ATTENTION :

- Veillez toujours à éteindre l'outil et déposer la batterie avant de régler ou vérifier le fonctionnement de l'appareil.

Installation ou dépose de la batterie (Fig. 1)

- Mettez toujours l'outil hors tension avant d'insérer ou de déposer la batterie.
- Pour déposer la batterie, retirez-la de l'outil en appuyant sur les boutons situés de chaque côté de la batterie.
- Pour insérer la batterie, alignez sa languette sur la rainure qui se trouve à l'intérieur du carter, puis glissez la batterie pour la mettre en place. Insérez-la toujours bien à fond, jusqu'à ce qu'elle se verrouille en émettant un léger déclic. Dans le cas contraire, la batterie risque de tomber accidentellement de l'outil et de vous blesser ou de blesser une personne se trouvant près de vous.
- N'appliquez aucune force excessive lors de l'insertion de la batterie. Si la batterie ne glisse pas aisément, c'est qu'elle n'est pas insérée correctement.

Interrupteur

ATTENTION :

- Avant d'insérer la batterie dans l'outil, vérifiez toujours que la gâchette fonctionne bien et revient en position d'arrêt lorsqu'elle est relâchée.

Pour mettre l'outil en marche, appuyez simplement sur la gâchette. La vitesse de l'outil augmente à mesure que l'on accroît la pression exercée sur la gâchette. Pour l'arrêter, relâchez la gâchette. (Fig. 2)

Molette de réglage du volume d'air

Vous pouvez régler le volume d'air selon l'un des trois modes de réglage en tournant la molette correspondante après avoir enfoncé entièrement la gâchette. Reportez-vous au tableau suivant pour connaître le volume d'air associé aux numéros figurant sur la molette.

Numéro figurant sur la molette	Volume d'air
3	Élevé
2	Moyen
1	Faible

ATTENTION :

- Utilisez la molette de réglage uniquement après avoir placé la gâchette en position d'arrêt. Si vous tournez la molette avant que la gâchette soit repassée en position d'arrêt, vous risquez d'endommager l'outil.
- Si l'outil a fonctionné de façon continue jusqu'à ce que la batterie soit épuisée, laissez-le reposer pendant 15 minutes au moins avant de recommencer avec une nouvelle batterie.

ASSEMBLAGE

Soufflage

Pour souffler la poussière, fixez l'embout sur la sortie du souffleur et tournez-le dans le sens horaire pour le fixer en place. (Fig. 3)

Aspiration de poussières (Fig. 4)

Pour aspirer la poussière, fixez l'embout sur l'entrée d'aspiration et le sac à poussières sur la sortie du souffleur.

Une fois le sac rempli de poussière, videz son contenu dans une poubelle en ouvrant la fermeture à glissière.

(Fig. 5)

ATTENTION :

- Videz le sac à poussières avant qu'il ne soit trop rempli, au risque de diminuer la force d'aspiration.

MAINTENANCE

ATTENTION :

- Assurez-vous toujours que l'outil est hors tension et que la batterie est retirée avant d'y effectuer tout travail d'inspection ou d'entretien.
- N'utilisez jamais d'essence, de benzine, de diluant, d'alcool ou de produit similaire. Ces produits risquent de provoquer des décolorations, des déformations ou des fissures.

Nettoyage

Nettoyez régulièrement la partie extérieure de l'outil à l'aide d'un chiffon trempé dans de l'eau savonneuse. N'utilisez jamais d'essence, de solvant ou autre au risque de décolorer et/ou fissurer l'outil. (Fig. 6)

Pour assurer la SÉCURITÉ et la FIABILITÉ du produit, toute réparation et tout travail d'entretien ou de réglage doivent être effectués par un Centre de service après-vente agréé Makita, avec des pièces de rechange Makita.

ACCESSOIRES

ATTENTION :

- Ces accessoires ou pièces complémentaires sont recommandés pour l'utilisation avec l'outil Makita spécifié dans ce manuel. L'utilisation de tout autre accessoire ou pièce complémentaire comporte un risque de blessures. Utilisez uniquement l'accessoire ou la pièce complémentaire dans le but spécifié.

Pour obtenir plus de détails sur ces accessoires, contactez un Centre de service après-vente local Makita.

- Embout
- Sac à poussières
- Embout d'angle
- Tuyau droit
- Tuyau flexible
- Joint
- Divers types de batteries et chargeurs de marque Makita

Bruit ENG905-1
Les niveaux de bruit pondéré A typiques ont été mesurés selon la norme EN60745 :

Modèle BUB142

Niveau de pression sonore (L_{pA}) : 86 dB (A)
Niveau de puissance sonore (L_{WA}) : 97 dB (A)
Incertitude (K) : 3 dB (A)

Modèle BUB182

Niveau de pression sonore (L_{pA}) : 83 dB (A)
Niveau de puissance sonore (L_{WA}) : 94 dB (A)
Incertitude (K) : 3 dB (A)

Portez des protections auditives.

Vibrations ENG900-1
La valeur totale de vibration (somme du vecteur triaxial) a été déterminée selon la norme EN60745 :

Mode de fonctionnement : fonctionnement sans charge
Émission des vibrations (a_h) : 2,5 m/s² ou moins
Incertitude (K) : 1,5 m/s²

- La valeur de l'émission des vibrations déclarée a été mesurée conformément à la méthode de test standard et peut être utilisée afin de comparer des outils entre eux.
- La valeur de l'émission des vibrations déclarée peut également être utilisée lors d'une évaluation préliminaire de l'exposition.

⚠ AVERTISSEMENT :

- Selon la manière dont l'outil est utilisé, il est possible que l'émission des vibrations pendant l'utilisation réelle de l'outil électrique diffère de la valeur de l'émission déclarée.
- Veillez à identifier les mesures de sécurité destinées à protéger l'opérateur et établies à partir de l'estimation de l'exposition dans les conditions réelles d'utilisation (en prenant en compte toutes les étapes du cycle de fonctionnement, telles que les périodes de mise hors tension de l'outil, les périodes de fonctionnement au ralenti et les périodes de mise en route).

Pour les pays d'Europe uniquement ENH101-14
Déclaration de conformité CE

Nous, Makita Corporation, en tant que fabricant responsable, déclarons que les machines Makita suivantes :

Nom de la machine :
Souffleur sans fil
N° de modèle/Type : BUB142, BUB182
sont fabriquées en série et

sont conformes aux directives européennes suivantes :

2006/42/CE

et sont produites conformément aux normes ou documents de normalisation suivants :

EN60745

La documentation technique est disponible auprès de notre représentant en Europe qui est :

Makita International Europe Ltd.
Michigan Drive, Tongwell,
Milton Keynes, MK15 8JD, Angleterre

30.01.2009



Tomoyasu Kato
Directeur
Makita Corporation
3-11-8, Sumiyoshi-cho,
Anjo, Aichi, JAPAN

DEUTSCH (Originalanweisungen)

Erklärung der Gesamtdarstellung

- | | | |
|------------------|--------------------------------|------------------|
| 1. Roter Bereich | 5. Einstellrad für Luftvolumen | 9. Staubbeutel |
| 2. Taste | 6. Ein/Aus-Schalter | 10. Ansaugengang |
| 3. Akkublock | 7. Düse | 11. Verschluss |
| 4. Zeiger | 8. Gebläseausgang | |

TECHNISCHE ANGABEN

Modell		BUB142	BUB182
Leistungen	Luftdruck (Wassersäule)	0 bis 550 mm	
	Luftvolumen	0 bis 2,6 m ³ /min	
Leerlaufgeschwindigkeit (U/min ⁻¹)		0 – 18.000	
Gesamtlänge		509 mm	
Nettogewicht		1,6 kg	1,7 kg
Nennspannung		14,4 V Gleichspannung	18 V Gleichspannung

- Aufgrund unserer fortschreitenden Forschungen und Entwicklungen sind Änderungen an den hier wiedergegebenen Angaben ohne Vorankündigung vorbehalten.
- Die Technischen Daten und der Akkublock können in den einzelnen Ländern Abweichungen aufweisen.
- Gewicht, mit Akkublock, ermittelt gemäß EPTA-Verfahren 01/2003

Symbole END004-4

Im Folgenden sind die im Zusammenhang mit diesem Werkzeug verwendeten Symbole dargestellt. Machen Sie sich vor der Benutzung des Werkzeugs unbedingt mit diesen Symbolen vertraut!



..... Lesen Sie die vorliegende Betriebsanleitung.



..... Nur für EU-Länder
Entsorgen Sie Elektrowerkzeuge, Batterien und Akkus nicht über den Hausmüll!

Gemäß Europäischer Richtlinie 2002/96/EG über Elektro- und Elektronik-Altgeräte, 2006/66/EG über Batterien und Akkumulatoren sowie Altbatterien und Altkumulatoren und Umsetzung in nationales Recht müssen verbrauchte Elektrowerkzeuge, Altbatterien und Altkumulatoren getrennt gesammelt und einer umweltgerechten Wiederverwertung zugeführt werden.

Verwendungszweck BNE018-1

Dieses Werkzeug wurde für das Wegblasen oder Aufsaugen von Staub entwickelt.

Allgemeine Sicherheitshinweise für Elektrowerkzeuge

GEA006-2

⚠️ WARNUNG Lesen Sie alle Sicherheitswarnungen und -anweisungen sorgfältig durch. Wenn die aufgeführten Warnhinweise und Anweisungen nicht beachtet werden, besteht die Gefahr eines Stromschlags, Brands und/oder die Gefahr schwerer Verletzungen.

Bewahren Sie alle Warnhinweise und Anweisungen zum späteren Nachschlagen gut auf.

Der Begriff „Elektrowerkzeug“ bezieht sich in den Warnhinweisen auf Ihr netzbetriebenes Elektrowerkzeug (mit Kabel) oder Ihr akku- bzw. batteriebetriebenes Elektrowerkzeug (ohne Kabel).

Sicherheit am Arbeitsplatz

1. **Achten Sie auf ein sauberes und gut beleuchtetes Arbeitsumfeld.** In unordentlichen oder dunklen Bereichen können schnell Unfälle passieren.
2. **Betreiben Sie Elektrowerkzeuge niemals in explosionsgefährdeten Umgebungen, wie etwa in der Nähe von brennbaren Flüssigkeiten, Gasen oder Staub.** Bei Elektrowerkzeugen können Funken entstehen, die Staub und Dämpfe entzünden können.
3. **Halten Sie Kinder und Zuschauer auf Abstand, wenn Sie ein Elektrowerkzeug bedienen.** Ablenkung kann zu Kontrollverlust führen.

Elektrische Sicherheit

4. **Die Stecker des Elektrowerkzeugs müssen in die Steckdose passen. Nehmen Sie niemals Änderungen am Stecker vor. Verwenden Sie keine Adapterstecker bei geerdeten Elektrowerkzeugen.** Originalstecker und dazu passende Steckdosen verringern die Gefahr eines elektrischen Schlags.
5. **Vermeiden Sie Körperkontakt mit geerdeten Flächen, wie Rohren, Kühlern, Heiz- und Kühlelementen.** Wenn Ihr Körper geerdet ist, besteht ein erhöhtes Risiko eines elektrischen Schlags.
6. **Elektrowerkzeuge dürfen weder Regen noch Feuchtigkeit ausgesetzt werden.** Wenn Wasser in ein Elektrowerkzeug eindringt, erhöht dies das Risiko eines elektrischen Schlags.

7. **Missbrauchen Sie nicht das Stromkabel. Tragen Sie das Werkzeug niemals am Kabel, und ziehen Sie niemals am Kabel, um das Werkzeug zu sich zu ziehen oder um den Stecker aus der Steckdose zu ziehen. Halten Sie das Kabel von Hitze, Öl, scharfen Kanten und beweglichen Teilen fern.** Beschädigte oder verwickelte Kabel erhöhen das Risiko eines elektrischen Schlags.
8. **Schließen Sie ausschließlich ein für die Verwendung im Freien zugelassenes Verlängerungskabel an, wenn Sie das Elektrowerkzeug im Freien betreiben.** Die Verwendung eines für den Gebrauch im Freien vorgesehenen Verlängerungskabels vermindert das Risiko eines elektrischen Schlags.
9. **Wenn sich der Einsatz des Elektrowerkzeugs an einem feuchten Ort nicht vermeiden lässt, verwenden Sie für die Stromversorgung einen FI-Schutzschalter (GFCI).** Durch die Verwendung eines FI-Schutzschalters (GFCI) verringert sich die Gefahr eines Stromschlags.

Sicherheit für Personen

10. **Bleiben Sie wachsam, achten Sie auf das, was Sie tun, und gebrauchen Sie Ihren gesunden Menschenverstand, wenn Sie ein Elektrowerkzeug benutzen. Betreiben Sie Elektrowerkzeuge nicht, wenn Sie müde sind oder unter dem Einfluss von Drogen, Alkohol oder Medikamenten stehen.** Ein Moment der Unachtsamkeit kann beim Umgang mit Elektrowerkzeugen zu schweren Personenschäden führen.
11. **Verwenden Sie zu Ihrem Schutz eine geeignete Sicherheitsausrüstung. Tragen Sie immer eine Schutzbrille.** Den Umständen angepasste Sicherheitsausrüstungen, wie Staubmasken, rutschfreie Sicherheitsschuhe, Helme und Gehörschutz, vermindern das Risiko von Personenschäden.
12. **Vermeiden Sie ein versehentliches Einschalten des Werkzeugs. Vergewissern Sie sich, dass das Werkzeug ausgeschaltet ist, bevor Sie es an eine Stromquelle und/oder den Akku anschließen, hochheben oder transportieren.** Der Transport des Werkzeugs mit dem Finger auf dem Schalter und das Anschließen eingeschalteter Elektrowerkzeuge an die Stromversorgung können zu Unfällen führen.
13. **Entfernen Sie alle Einstell- und sonstigen Schlüssel, bevor Sie das Elektrowerkzeug einschalten.** Auf den rotierenden Teilen eines Elektrowerkzeugs belassene Schlüssel können zu Verletzungen führen.
14. **Bleiben Sie innerhalb Ihres Standbereichs. Achten Sie jederzeit auf sicheren Stand und Balance.** Dadurch ist in unerwarteten Situationen eine bessere Kontrolle des Elektrowerkzeugs möglich.
15. **Tragen Sie geeignete Kleidung. Tragen Sie keine weite Kleidung und keinen Schmuck. Halten Sie Haar, Kleidung und Handschuhe fern von beweglichen Teilen.** Weite Kleidung, Schmuck und

langes Haar können sich in den beweglichen Teilen verfangen.

16. **Falls Geräte zum Absaugen und Sammeln von Staub vorhanden sind, schließen Sie diese an und verwenden Sie sie ordnungsgemäß.** Die Verwendung einer Vorrichtung zum Sammeln von Staub kann Gefahren verringern, die mit Staub in Zusammenhang stehen.

Verwendung und Pflege von Elektrowerkzeugen

17. **Überlasten Sie das Elektrowerkzeug nicht. Benutzen Sie das für die jeweilige Anwendung geeignete Elektrowerkzeug.** Das richtige Werkzeug erfüllt seinen Zweck am besten und sichersten in dem Leistungsbereich, für den es hergestellt wurde.
18. **Verwenden Sie ein Elektrowerkzeug nicht, wenn es sich nicht mit dem Schalter ein- und ausschalten lässt.** Jedes Elektrowerkzeug, dessen Schalter nicht funktioniert, stellt eine Gefahr dar und muss repariert werden.
19. **Ziehen Sie den Stecker aus der Steckdose bzw. den Akku aus dem Gerät, bevor Sie Einstellungen am Elektrowerkzeug vornehmen, Zubehör wechseln oder das Gerät lagern.** Diese präventiven Sicherheitsmaßnahmen reduzieren das Risiko eines versehentlichen Starts.
20. **Lagern Sie Elektrowerkzeuge, die nicht in Gebrauch sind, außerhalb der Reichweite von Kindern, und gestatten Sie die Benutzung von Elektrowerkzeugen ausschließlich solchen Personen, die mit dem Betrieb und der Bedienungsanleitung des entsprechenden Elektrowerkzeugs vertraut sind.** In den Händen ungeübter Benutzer sind Elektrowerkzeuge gefährlich.
21. **Pflegen Sie Elektrowerkzeuge. Achten Sie auf fehlerhafte Verbindungen, festsitzende bewegliche Teile, Defekte und alle anderen Bedingungen, die die Funktionsweise des Geräts beeinträchtigen können. Lassen Sie bei einer Beschädigung das Elektrowerkzeug vor dem Gebrauch reparieren.** Durch nachlässig gewartete Elektrowerkzeuge werden viele Unfälle verursacht.
22. **Halten Sie Schneidwerkzeug scharf und sauber.** Ordentlich gewartete Schneidwerkzeuge mit scharfen Schneidkanten verhaken nicht so schnell und sind einfacher in der Handhabung.
23. **Verwenden Sie das Elektrowerkzeug, das Zubehör, die Werkzeugmeißel usw. in Übereinstimmung mit diesen Anweisungen und in einer dem Verwendungszweck des Werkzeugs angemessenen Weise und beachten Sie dabei die Arbeitsbedingungen und die durchzuführende Arbeit.** Die Verwendung eines Elektrowerkzeugs für Arbeitsgänge, für die es nicht konzipiert wurde, kann zu Gefahrensituationen führen.

Verwendung und Pflege von akkubetriebenen Werkzeugen

24. **Der Akku darf nur mit dem vom Hersteller angegebenen Ladegerät aufgeladen werden.** Ein Ladegerät, das sich für den einen Akkutyp eignet,

kann bei der Verwendung mit einem anderen Akku eine Brandgefahr darstellen.

25. **Elektrowerkzeuge dürfen nur mit den dafür speziell vorgesehenen Akkus verwendet werden.** Die Verwendung sonstiger Akkus kann eine Verletzungs- und Brandgefahr darstellen.
26. **Zurzeit nicht verwendete Akkus dürfen nicht in der Nähe von anderen metallischen Gegenständen wie Büroklammern, Münzen, Nägeln, Schrauben oder sonstigen metallischen Kleingegenständen aufbewahrt werden, da die Gefahr besteht, dass diese Gegenstände einen Kurzschluss verursachen.** Ein Kurzschluss der Akkukontakte kann Verbrennungen verursachen oder eine Brandgefahr darstellen.
27. **Bei falschem Gebrauch kann Flüssigkeit aus dem Akku austreten; vermeiden Sie in diesem Fall jeglichen Körperkontakt mit der Flüssigkeit. Wenn Sie versehentlich mit Flüssigkeit aus dem Akku in Berührung geraten, waschen Sie die betroffene Stelle gründlich mit Wasser ab. Suchen Sie darüber hinaus einen Arzt auf, wenn die Flüssigkeit in das Auge gerät.** Die aus dem Akku austretende Flüssigkeit kann Hautreizungen oder Verbrennungen verursachen.

Service

28. **Lassen Sie das Elektrowerkzeug ausschließlich von Fachpersonal unter Verwendung von Originalersatzteilen warten und reparieren.** Auf diese Weise ist die Sicherheit des Elektrowerkzeugs gewährleistet.
29. **Befolgen Sie die Anweisungen hinsichtlich Schmierung und Wechsel von Zubehör.**
30. **Halten Sie Griffe trocken, sauber und frei von Öl und Schmiermitteln.**

SICHERHEITSHINWEISE ZUR AKKU-METALLSCHERE

GEB076-1

1. **Tragen Sie immer Schutzbrille, Mütze und Maske, wenn Sie das Gebläse verwenden.**
2. **Richten Sie die Düse niemals auf eine Person in Ihrer Nähe, wenn Sie das Gebläse verwenden.**
3. **Verwenden Sie stets den Staubbeutel, wenn Sie Staub, Späne und ähnliches aufsaugen.**
4. **Saugen Sie keine noch glühende Zigarettenasche, soeben geschnittene Metallspäne, Schrauben, Nägel und ähnliches auf. Warnung - Bei Verwendung auf nassen Oberflächen kann es zu Stromschlägen kommen. Setzen Sie die Säge keinem Regen aus. Bewahren Sie die Säge in einem geschlossenen Raum auf.**
5. **Blockieren Sie niemals die Ansaugöffnung und/ oder den Gebläseausgang. Eine erhöhte Motordrehzahl kann zu einem gefährlichen Brechen des Ventilators führen.**
6. **Kleinkinder oder gebrechlichen Personen dürfen das Gebläse nicht ohne Aufsicht bedienen.**
7. **Kleinkinder sollten beaufsichtigt werden, um sicherzustellen, dass sie nicht mit dem Gebläse spielen.**

BEWAHREN SIE DIESE ANLEITUNG SORGFÄLTIG AUF.

WARNING:

Lassen Sie sich **NIE** durch Bequemlichkeit oder (aus fortwährendem Gebrauch gewonnener) Vertrautheit mit dem Werkzeug dazu verleiten, die Sicherheitsregeln für das Werkzeug zu missachten. Bei **MISSBRÄUCLICHER** Verwendung des Werkzeugs oder Missachtung der in diesem Handbuch enthaltenen Sicherheitshinweise kann es zu schweren Verletzungen kommen.

WICHTIGE SICHERHEITSREGELN

ENC007-5

FÜR AKKUBLOCK

1. **Lesen Sie vor der Verwendung des Akkublocks alle Anweisungen und Sicherheitshinweise für das Akkuladegerät (1), den Akku (2) und das Produkt (3), für das der Akku verwendet wird, sorgfältig durch.**
2. **Der Akkublock darf nicht zerlegt werden.**
3. **Falls die Betriebsdauer erheblich kürzer wird, beenden Sie den Betrieb umgehend. Andernfalls besteht die Gefahr einer Überhitzung sowie das Risiko möglicher Verbrennungen und sogar einer Explosion.**
4. **Wenn Elektrolyt in Ihre Augen gerät, waschen Sie diese mit klarem Wasser aus und suchen Sie sofort einen Arzt auf. Andernfalls können Sie Ihre Augenlicht verlieren.**
5. **Vermeiden Sie einen Kurzschluss des Akkublocks:**
 - (1) **Die Kontakte dürfen nicht mit leitendem Material in Berührung kommen.**
 - (2) **Der Akkublock darf nicht in einem Behälter aufbewahrt werden, in dem sich andere metallische Gegenstände wie beispielsweise Nägel, Münzen usw. befinden.**
 - (3) **Der Akkublock darf weder Feuchtigkeit noch Regen ausgesetzt werden. Ein Kurzschluss des Akkus kann zu einem hohem Stromfluss, Überhitzung, möglichen Verbrennungen und sogar zu einer Zerstörung führen.**
6. **Werkzeug und Akkublock dürfen nicht an Orten aufbewahrt werden, an denen Temperatur von 50°C oder höher erreicht werden.**
7. **Beschädigte oder verbrauchte Akkus dürfen nicht verbrannt werden. Der Akkublock kann in den Flammen explodieren.**
8. **Lassen Sie den Akku nicht fallen und vermeiden Sie Schläge gegen den Akku.**
9. **Verwenden Sie keinen beschädigten Akkus.**

BEWAHREN SIE DIESE ANWEISUNGEN SORGFÄLTIG AUF.

Tipps für eine maximale Nutzungsdauer von Akku

1. **Laden Sie den Akkublock auf, bevor der Akku vollständig entladen ist.**
Sobald Sie eine verringerte Leistung des Werkzeugs bemerken, beenden Sie stets den Betrieb des Werkzeugs und laden Sie den Akkublock auf.
2. **Ein voll aufgeladener Akkublock darf niemals erneut geladen werden.**
Durch Überladungen wird die Lebensdauer des Akkus verkürzt.
3. **Laden Sie den Akkublock bei einer Zimmertemperatur von 10°C bis 40°C auf.**
Lassen Sie einen heißen Akkublock vor dem Aufladen abkühlen.

FUNKTIONSBESCHREIBUNG

ACHTUNG:

- Schalten Sie das Werkzeug stets aus und entfernen Sie den Akkublock, bevor Sie Einstellungen oder eine Funktionsprüfung des Werkzeugs vornehmen.

Montage und Demontage des Akkublocks (Abb. 1)

- Schalten Sie das Werkzeug stets aus, bevor Sie den Akkublock einsetzen oder entfernen.
- Zum Entfernen des Akkublocks müssen Sie diesen aus dem Gerät herausziehen, während Sie die Tasten an beiden Seiten des Blocks drücken.
- Zum Einsetzen des Akkublocks müssen Sie die Zunge des Akkublocks an der Rille im Gehäuse ausrichten und in die gewünschte Position schieben. Setzen Sie den Block immer ganz ein, bis er mit einem Klick einrastet. Andernfalls kann der Block versehentlich aus dem Werkzeug fallen und Sie oder Personen in Ihrem Umfeld verletzen.
- Wenden Sie beim Einsetzen des Akkublocks keine Gewalt an. Wenn der Block nicht leicht hineingleitet, wird er nicht richtig eingesetzt.

Bedienung des Schalters

ACHTUNG:

- Achten Sie vor dem Einsetzen des Akkublocks in das Werkzeug darauf, dass sich der Ein/Aus-Schalter korrekt bedienen lässt und beim Loslassen in die Position „OFF“ (AUS) zurückkehrt.

Betätigen Sie zum Starten des Werkzeugs einfach den Ein/Aus-Schalter. Die Drehzahl des Werkzeugs wird durch erhöhten Druck auf den Ein/Aus-Schalter gesteigert. Lassen Sie zum Ausschalten des Werkzeugs den Ein/Aus-Schalter los. (Abb. 2)

Einstellrad für Luftvolumen

Das Luftvolumen kann auf eine der drei Einstellungen angepasst werden, indem Sie das Einstellrad bei vollständig gedrücktem Ein/Aus-Schalter drehen. In der folgenden Tabelle finden Sie die Angaben, welche Zahl auf dem Rad welchem Luftvolumen entspricht.

Zahl am Einstellrad	Luftvolumen
3	Hoch
2	Mittel
1	Niedrig

ACHTUNG:

- Bedienen Sie das Einstellrad nur, wenn sich der Ein/Aus-Schalter wieder in der Position „OFF“ (AUS) befindet. Durch Drehen des Rades, bevor der Schalter in der Position „OFF“ ist, kann das Werkzeug beschädigt werden.
- Wenn das Werkzeug bis zur vollständigen Entladung des Akkus betrieben wurde, lassen Sie es mindestens 15 Minuten liegen, bevor Sie mit einem neuen Akku fortfahren.

MONTAGE

Gebläse

Befestigen Sie zum Wegblasen von Staub die Düse am Gebläseausgang, indem Sie diese im Uhrzeigersinn hineindrehen. (Abb. 3)

Staubsaugaugen (Abb. 4)

Stecken Sie zum Aufsaugen von Staub die Düse auf die Ansaugöffnung und den Staubbeutel auf den Gebläseausgang.

Leeren Sie den Inhalt des vollen Staubbeutel in eine Mülltonne, indem Sie den Verschluss lösen. (Abb. 5)

ACHTUNG:

- Leeren Sie den Staubbeutel, bevor dieser zu voll und die Ansaugleistung zu schwach wird.

WARTUNG

ACHTUNG:

- Schalten Sie das Werkzeug stets aus und entfernen Sie den Akkublock, bevor Sie Inspektionen oder Wartungsarbeiten am Werkzeug vornehmen.
- Verwenden Sie zum Reinigen niemals Kraftstoffe, Benzin, Verdünner, Alkohol oder ähnliches. Dies kann zu Verfärbungen, Verformungen oder Rissen führen.

Reinigung

Wischen Sie von Zeit zu Zeit das Äußere des Werkzeugs mit einem mit Seifenwasser befeuchtetem Tuch ab.

Verwenden Sie niemals Benzin, Verdünnung oder ähnliches, sonst können Verfärbungen und/oder Risse auftreten. (Abb. 6)

Um die SICHERHEIT und ZUVERLÄSSIGKEIT des Produkts zu gewährleisten, sollten Reparaturen, Wartungsarbeiten und Einstellungen nur durch von Makita autorisierte Servicecenter durchgeführt und immer Makita-Ersatzteile verwendet werden.

ZUBEHÖR

ACHTUNG:

- Die folgenden Zubehör- und Zusatzteile werden für das in diesem Handbuch beschriebene Makita-Werkzeug empfohlen. Die Verwendung anderer Zubehör- und Zusatzteile kann zu Personenschäden führen.

Verwenden Sie Zubehör- und Zusatzteile nur für den vorgesehenen Zweck.

Informationen zu diesem Zubehör erhalten Sie bei einem Makita-Servicecenter in Ihrer Nähe.

- Düse
- Staubbeutel
- Winkeldüse
- Gerades Rohr
- Flexibler Schlauch
- Verbindungsstück
- Verschiedene Arten von Makita-Originalakkus und -Ladegeräten

den folgenden Richtlinien der Europäischen Union genügt/genügen:

2006/42/EC.

Außerdem werden die Geräte gemäß den folgenden Standards oder Normen gefertigt:
EN60745

Die technische Dokumentation erfolgt durch unseren Bevollmächtigten in Europa:

Makita International Europe Ltd.
Michigan Drive, Tongwell,
Milton Keynes, MK15 8JD, England

30. 1. 2009



Tomoyasu Kato
Direktor

Makita Corporation
3-11-8, Sumiyoshi-cho,
Anjo, Aichi, JAPAN

Schall ENG905-1
Typischer A-bewerteter Schallpegel nach EN60745:

Modell BUB142

Schalldruckpegel (L_{pA}): 86 dB (A)
Schallleistungspegel (L_{WA}): 97 dB (A)
Abweichung (K): 3 dB (A)

Modell BUB182

Schalldruckpegel (L_{pA}): 83 dB (A)
Schallleistungspegel (L_{WA}): 94 dB (A)
Abweichung (K): 3 dB (A)

Tragen Sie Gehörschutz.

Schwingung ENG900-1
Schwingungsgesamtwerte (Vektorsumme dreier Achsen)
nach EN60745:

Arbeitsmodus: Betrieb ohne Last
Schwingungsbelastung (a_{h1}): 2,5 m/s² oder weniger
Abweichung (K): 1,5 m/s²

ENG901-1

- Der hier angegebene Wert für die erzeugten Schwingungen wurde gemäß dem genormten Testverfahren ermittelt und kann als Vergleich zu anderen Werkzeugen herangezogen werden.
- Der angegebene Wert für die erzeugten Schwingungen ist außerdem für eine vorbeugende Bewertung der Belastung zu verwenden.

WARNUNG:

- Die Schwingungsbelastung kann bei tatsächlichem Gebrauch des Elektrowerkzeugs in Abhängigkeit von der Handhabung des Elektrowerkzeugs von dem hier aufgeführten Wert abweichen.
- Stellen Sie sicher, dass Schutzmaßnahmen für den Bediener getroffen werden, die auf den unter den tatsächlichen Arbeitsbedingungen zu erwartenden Belastungen beruhen (beziehen Sie alle Bestandteile des Arbeitsablaufs ein, also zusätzlich zu den Arbeitszeiten auch Zeiten, in denen das Werkzeug ausgeschaltet ist oder ohne Last läuft).

Nur für europäische Länder ENH101-14
EG-Konformitätserklärung

Wir, Makita Corporation als verantwortlicher Hersteller, erklären, dass das/die folgenden Gerät/ Geräte der Marke Makita:

Bezeichnung des Geräts:

Kabelloses Gebläse

Nummer / Typ des Modells: BUB142, BUB182

in Serienfertigung hergestellt wird/werden und

ITALIANO (Istruzioni originali)

Spiegazione della vista generale

- | | | |
|---------------|---|-----------------------------|
| 1. Area rossa | 5. Ghiera di regolazione volume dell'aria | 8. Scarico soffiante |
| 2. Pulsante | 6. Interruttore | 9. Sacchetto per la polvere |
| 3. Batteria | 7. Ugelli | 10. Orifizio di aspirazione |
| 4. Puntatori | | 11. Fermaglio |

CARATTERISTICHE TECNICHE

Modello		BUB142	BUB182
Capacità di foratura	Pressione dell'aria (colonna dell'acqua)	0 - 550 mm	
	Volume dell'aria	0 - 2,6 m ³ /min	
Velocità a vuoto (min ⁻¹)		0 - 18.000	
Lunghezza totale		509 mm	
Peso netto		1,6 kg	1,7 kg
Tensione nominale		14,4 V CC	18 V CC

- Le caratteristiche tecniche riportate di seguito sono soggette a modifiche senza preavviso a causa del nostro programma continuo di ricerca e sviluppo.
- Le caratteristiche tecniche e le batterie possono differire da paese a paese.
- Peso, comprensivo di batterie, calcolato in base alla Procedura EPTA 01/2003

Simboli END004-4

Il seguente elenco riporta i simboli utilizzati per questo utensile.

È importante comprenderne il significato prima dell'uso.



..... Leggere il manuale di istruzioni.



..... Solo per i paesi UE

Non gettare le apparecchiature elettriche o le batterie tra i rifiuti domestici.

Secondo la Direttiva Europea 2002/96/CE sui rifiuti di apparecchiature elettriche ed elettroniche e la Direttiva Europea 2006/66/CE sulle batterie e gli accumulatori e sui rifiuti di batterie e di accumulatori, e la sua attuazione in conformità alle norme nazionali, le apparecchiature elettriche e le batterie esauste devono essere raccolte separatamente, al fine di essere riciclate in modo eco-compatibile.

Uso previsto BNE018-1

L'utensile è progettato per la soffiatura della polvere.

Avvertenze generali di sicurezza per l'uso dell'utensile GEA006-2

⚠ AVVERTENZA Leggere attentamente tutte le avvertenze di sicurezza e le istruzioni. La mancata osservanza delle avvertenze e delle istruzioni può condurre a scariche elettriche, incendi e/o gravi infortuni.

Conservare le avvertenze e le istruzioni per riferimenti futuri.

Il termine "macchina utensile" utilizzato nelle avvertenze indica la macchina utensile ad alimentazione elettrica o a batteria.

Sicurezza nell'area di lavoro

- Mantenere l'area di lavoro pulita e ben illuminata.** In ambienti disordinati o con scarsa illuminazione è più probabile che si verifichino incidenti.
- Non azionare macchine utensili in ambienti esplosivi, ad esempio in presenza di liquidi infiammabili, gas o polvere.** Le macchine utensili producono scintille che possono dar fuoco alla polvere e ai fumi presenti nell'ambiente.
- Tenere bambini e passanti lontano dall'area di lavoro mentre si utilizza la macchina utensile.** Le distrazioni possono far perdere il controllo della macchina utensile.

Sicurezza elettrica

- La spina della macchina utensile deve essere compatibile con la presa di corrente. Non modificare mai la spina. Non utilizzare adattatori con macchine utensili provviste di messa a terra.** L'uso di spine intatte e di prese compatibili riduce il rischio di scosse elettriche.
- Evitare il contatto con elementi aventi un collegamento a terra, come tubi, radiatori, frigoriferi e altri elementi conduttori.** Il rischio di scossa elettrica aumenta se il corpo dell'operatore ha un collegamento a terra.
- Non esporre le macchine utensili alla pioggia o al bagnato.** L'eventuale infiltrazione di acqua nella macchina utensile aumenta il rischio di scosse elettriche.
- Non torcere il cavo. Non usare mai il cavo per trasportare, tirare o scollegare la macchina utensile. Mantenere il cavo lontano da calore, olio, bordi taglienti o pezzi mobili.** La presenza di cavi

danneggiati o impigliati aumenta il rischio di scosse elettriche.

8. **Se la macchina utensile viene utilizzata all'aperto, utilizzare una prolunga adatta a tale uso.** L'utilizzo di un cavo di alimentazione per esterni riduce il rischio di scosse elettriche.
9. **Se la macchina utensile viene utilizzata in un luogo umido, utilizzare un'alimentazione dotata di un interruttore automatico con scarica a terra (GFCI).** L'uso di un interruttore GFCI riduce il rischio di scosse elettriche.

Sicurezza personale

10. **Quando si utilizza una macchina utensile è necessario rimanere vigili, prestare attenzione a quello che si sta facendo e ricorrere al buonsenso. Non utilizzare la macchina utensile quando si è stanchi o sotto l'effetto di droghe, alcol o farmaci.** Un momento di disattenzione durante l'utilizzo delle macchine utensili può provocare gravi lesioni personali.
11. **Indossare indumenti protettivi. Indossare sempre una protezione per gli occhi.** I dispositivi di protezione, come maschere antipolvere, calzature antinfortunistiche e antiscivolo, elmetti o protezioni acustiche, ridurranno il rischio di lesioni personali se usati nelle adeguate circostanze.
12. **Evitare l'avvio accidentale dell'utensile. Verificare che l'interruttore si trovi nella posizione OFF prima di accendere la macchina utensile e/o la batteria, riavviare o trasportare l'utensile.** Se le macchine utensili vengono trasportate con il dito sull'interruttore o se vengono collegate all'alimentazione con l'interruttore nella posizione ON, possono verificarsi incidenti.
13. **Prima di accendere la macchina utensile rimuovere qualsiasi strumento di regolazione o chiave.** Una chiave o un utensile fissati a un elemento rotante della macchina possono causare lesioni personali.
14. **Evitare rischi inutili. Mantenere sempre l'equilibrio e un punto d'appoggio adeguati.** Questo consente di controllare meglio la macchina utensile in situazioni impreviste.
15. **Indossare un abbigliamento adeguato. Non indossare abiti o oggetti che potrebbero rimanere impigliati. Mantenere capelli, vestiti e guanti lontano dalle parti mobili.** Abiti svolazzanti, oggetti o capelli lunghi possono rimanere impigliati nelle parti mobili.
16. **Se vengono forniti dispositivi per il collegamento di sistemi di raccolta e estrazione della polvere, verificare che vengano collegati e utilizzati correttamente.** L'uso di tali dispositivi riduce i rischi causati dalla polvere.

Uso e cura delle macchine utensili

17. **Non forzare le macchine utensili. Utilizzare la macchina utensile adatta all'attività da svolgere.** L'uso corretto della macchina utensile consentirà di lavorare meglio, in modo più sicuro e alla velocità per cui questa è stata progettata.

18. **Non utilizzare la macchina utensile se non è possibile spegnerla o accenderla con l'interruttore.** Se una macchina utensile che non può essere controllata con l'interruttore, è pericolosa e deve essere riparata.
19. **Prima di effettuare qualsiasi regolazione, sostituire gli accessori o riporre la macchina dopo l'uso, disinserire la spina dall'alimentazione e/o la batteria dalla macchina utensile.** Queste misure di sicurezza preventive riducono il rischio di avvio accidentale della macchina.
20. **Quando le macchine utensili non vengono utilizzate, conservarle fuori dalla portata dei bambini e non consentirne l'utilizzo a persone che non conoscono le presenti istruzioni.** Le macchine utensili sono pericolose se impiegate da operatori non preparati.
21. **Sottoporre regolarmente le macchine utensili a manutenzione. Controllare eventuali disallineamenti o blocchi delle parti mobili, la rottura di parti e qualsiasi altra circostanza che possa influenzare il funzionamento delle macchine utensili. Se danneggiata, fare riparare la macchina utensile prima dell'uso.** Molti incidenti vengono causati da macchine utensili non sottoposte a regolare manutenzione.
22. **Mantenere gli utensili per il taglio affilati e puliti.** Gli utensili per il taglio si inceppano di meno e sono più facili da controllare, se sottoposti ad adeguata manutenzione e mantenuti con i bordi della lama sempre taglienti.
23. **Utilizzare la macchina utensile, gli accessori, le punte ecc. , conformemente a queste istruzioni, tenendo conto delle condizioni di lavoro e dell'operazione da effettuare.** L'uso della macchina utensile per operazioni diverse da quelle previste potrebbe indurre a situazioni pericolose.

Uso e cura della batteria

24. **Effettuare la ricarica utilizzando solamente il caricabatterie specificato dal produttore.** Un caricabatterie adatto per uno specifico tipo di batteria potrebbe provocare un pericolo di incendio se utilizzato con un'altra batteria.
25. **Utilizzare gli utensili elettrici solo con le batterie specifiche.** L'uso di tipi diversi di batterie può provocare un pericolo di infortuni e incendi.
26. **Quando la batteria non viene utilizzata, evitare di tenerla a contatto con oggetti metallici, quali graffette, monete, chiavi, chiodi, viti o altri piccoli oggetti metallici che possano stabilire un contatto tra un terminale e l'altro.** Un cortocircuito dei terminali della batteria potrebbe causare ustioni o incendi.
27. **In condizioni precarie, potrebbe fuoriuscire del liquido dalla batteria, con cui è opportuno evitare il contatto. In caso di contatto accidentale, sciacquare abbondantemente con acqua. Se il liquido entra a contatto con gli occhi, consultare un medico.** Il liquido fuoriuscito dalla batteria può provocare irritazioni o ustioni.

Assistenza

28. La macchina utensile deve essere riparata da un tecnico qualificato e si devono utilizzare solo ricambi equivalenti. Questo consentirà di garantire la sicurezza della macchina utensile.
29. Osservare le istruzioni di lubrificazione e sostituzione degli accessori.
30. Mantenere le impugnature asciutte, pulite e prive di olio e grasso.

AVVERTENZE DI SICUREZZA PER IL SOFFIANTE SENZA FILI

GEB076-1

1. Quando si utilizza il soffiante, utilizzare sempre gli occhiali di protezione, un berretto e una maschera.
2. Nell'utilizzare il soffiante, non puntare mai l'ugello verso persone vicine.
3. Nel raccogliere la polvere, frammenti ed oggetti simili, utilizzare sempre il sacchetto per la polvere.
4. Non raccogliere ceneri ardenti di sigarette, trucioli di metallo appena tagliati, viti, chiodi ed oggetti simili. Avvertenza - L'utilizzo su superfici bagnate può causare scosse elettriche. Evitare l'esposizione alla pioggia. Conservare in luoghi chiusi.
5. Non ostruire mai l'orificio di aspirazione e/o lo scarico del soffiante. Una rotazione maggiore del motore può causare una rottura pericolosa della ventola.
6. Il soffiante non è destinato all'uso da parte di bambini o persone invalide senza supervisione.
7. I bambini devono essere tenuti sotto controllo per evitare che giochino con il soffiante.

CONSERVARE QUESTE ISTRUZIONI.

⚠ AVVERTENZA:

NON lasciare che la familiarità acquisita con il prodotto (dovuta all'uso ripetuto) provochi l'inosservanza delle norme di sicurezza per il presente prodotto. L'USO IMPROPRIO o la mancata osservanza delle norme di sicurezza contenute in questo manuale può provocare lesioni personali gravi.

ISTRUZIONI IMPORTANTI PER LA SICUREZZA

ENC007-5

RELATIVE ALLA BATTERIA

1. Prima di utilizzare la batteria, leggere tutte le istruzioni e gli avvisi di sicurezza relativi a (1) caricabatteria, (2) batteria e (3) prodotto utilizzato con la batteria.
2. Non disassemblare la batteria.
3. Se il tempo di funzionamento è diventato eccessivamente breve, non utilizzare l'utensile. Potrebbero verificarsi surriscaldamenti, ustioni o esplosioni.

4. In caso di contatto dell'elettrolita della batteria con gli occhi, sciacquare con acqua fresca e rivolgersi immediatamente a un medico. Potrebbero verificarsi danni permanenti alla funzionalità visiva.
5. Non cortocircuitare la batteria:
 - (1) Non toccare i terminali della batteria con materiale in grado di condurre elettricità.
 - (2) Evitare di conservare la batteria a contatto con oggetti metallici quali chiodi, monete e così via.
 - (3) Non esporre la batteria all'acqua o alla pioggia.
Un cortocircuito può provocare un elevato flusso di corrente, surriscaldamento, ustioni o scariche distruttive.
6. Non conservare l'utensile e la batteria a una temperatura superiore a 50 °C.
7. Evitare di smaltire le batterie danneggiate o esaurite bruciandole. Se esposte al fuoco, le batterie possono esplodere.
8. Evitare di far cadere o di colpire la batteria.
9. Non utilizzare batterie danneggiate.

CONSERVARE QUESTE ISTRUZIONI.

Suggerimenti il prolungamento della durata della batteria

1. Caricare la batteria prima che si scarichi completamente.
Se si nota una diminuzione di potenza dell'utensile, interrompere il lavoro e ricaricare la batteria.
2. Non ricaricare una batteria già completamente carica.
In caso contrario, la durata operativa della batteria potrebbe ridursi.
3. Caricare la batteria in ambienti con temperatura compresa tra 10 °C e 40 °C.
Prima di caricare una batteria surriscaldata, lasciarla raffreddare.

DESCRIZIONE FUNZIONALE

ATTENZIONE:

- Accertarsi sempre che l'arnese sia spento e il pacco batterie sia stato rimosso prima di regolare o controllare le funzioni dell'arnese.

Installazione o rimozione della batteria (Fig. 1)

- Prima di inserire o rimuovere la batteria, spegnere sempre l'utensile.
- Per rimuovere la batteria, estrarla dall'utensile facendo scorrere il pulsante sulla parte frontale della batteria.
- Per inserire la batteria, allineare la linguetta sulla batteria con la scanalatura dell'alloggiamento e farla scorrere fino a raggiungere la posizione corretta. Inserire sempre la batteria fino a quando si blocca in posizione con uno scatto. In caso contrario la batteria

- può fuoriuscire accidentalmente e provocare lesioni all'operatore o a eventuali osservatori.
- Non applicare una forza eccessiva per inserire la batteria. Se la batteria non scorre agevolmente, la manovra di inserimento non è corretta.

Azionamento dell'interruttore

ATTENZIONE:

- Prima di inserire la batteria nell'utensile, controllare se l'interruttore funziona correttamente e ritorna alla posizione "SPENTO" una volta rilasciato.

Per accendere l'utensile è sufficiente premere l'interruttore. Per aumentare la velocità dell'utensile, aumentare la pressione sull'interruttore. Per spegnere l'utensile, rilasciare l'interruttore. (Fig. 2)

Ghiera di regolazione volume dell'aria

Il volume dell'aria può essere impostato con una delle tre regolazioni ruotando la ghiera di regolazione con l'interruttore completamente premuto. Per il rapporto tra il numero sulla ghiera ed il volume dell'aria, fare riferimento alla tabella sotto.

Numero sulla ghiera	Volume dell'aria
3	Alto
2	Medio
1	Basso

ATTENZIONE:

- Utilizzare la ghiera di regolazione solo dopo che l'interruttore ritorna alla posizione "OFF". Se la ghiera viene ruotata prima che l'interruttore ritorni, l'utensile potrebbe danneggiarsi.
- Se l'utensile viene utilizzato continuativamente fino al completo scaricamento della batteria, attendere 15 minuti prima di continuare a utilizzarlo con una nuova batteria.

MONTAGGIO

Soffiatura

Per la soffiatura della polvere, fissare l'ugello allo scarico del soffiante, ruotando in senso orario per bloccarlo in posizione. (Fig. 3)

Aspirazione della polvere (Fig. 4)

Per l'aspirazione della polvere, fissare l'ugello sull'orifizio di aspirazione ed il sacchetto per la polvere nello scarico del soffiante.

Dopo che il sacchetto si è riempito di polvere, svuotare il contenuto del sacchetto in un cestino per la polvere rilasciando il fermo. (Fig. 5)

ATTENZIONE:

- Svuotare il sacchetto della polvere prima che si riempia troppo per non affievolire la forza di aspirazione.

MANUTENZIONE

ATTENZIONE:

- Prima di effettuare controlli o operazioni di manutenzione, verificare sempre di aver spento l'utensile e di aver rimosso la batteria.

- Evitare assolutamente l'uso di benzina, diluenti, solventi, alcol o sostanze simili. Potrebbero verificarsi scoloriture, deformazioni o incrinature.

Pulizia

Di tanto in tanto, pulire la parte esterna dell'utensile con un panno inumidito in acqua insaponata. Non utilizzare mai benzina, diluenti o prodotti simili per non fare provocare sbiadimenti e/o crepe. (Fig. 6)

Per mantenere la SICUREZZA e l'AFFIDABILITÀ del prodotto, le riparazioni e qualsiasi altra operazione di manutenzione o regolazione devono essere eseguiti dai centri di assistenza autorizzati Makita utilizzando sempre parti di ricambio Makita.

ACCESSORI

ATTENZIONE:

- Si raccomanda di utilizzare questi accessori per l'utensile Makita descritto in questo manuale. L'uso di qualsiasi altro accessorio potrebbe provocare lesioni personali. Utilizzare gli accessori esclusivamente per l'uso dichiarato.

Per l'assistenza e ulteriori informazioni su tali accessori, rivolgersi al centro di assistenza Makita più vicino.

- Ugello
- Sacchetto per la polvere
- Ugello angolare
- Tubo diritto
- Tubo flessibile
- Giunto
- Diversi modelli di batterie e caricabatteria originali Makita

Rumore

ENG905-1

Il tipico livello di rumore ponderato "A" è determinato in conformità con la norma EN60745:

Modello BUB142

Livello di pressione sonora (L_{pA}): 86 dB (A)

Livello di potenza sonora (L_{WA}): 97 dB (A)

Variation (K): 3 dB (A)

Modello BUB182

Livello di pressione sonora (L_{pA}): 83 dB (A)

Livello di potenza sonora (L_{WA}): 94 dB (A)

Variation (K): 3 dB (A)

Indossare una protezione acustica.

Vibrazione

ENG900-1

Il valore totale delle vibrazioni (somma vettoriale triassiale) è determinato in conformità con la norma EN60745:

Modalità di lavoro: funzionamento senza carico

Emissione delle vibrazioni (a_{h1}): 2,5 m/s² o inferiore

Variation (K): 1,5 m/s²

ENG901-1

- Il valore di emissione delle vibrazioni dichiarato è stato misurato in conformità con il metodo di test standard e può essere utilizzato per confrontare tra loro diversi utensili.
- Il valore di emissione delle vibrazioni dichiarato può anche essere utilizzato per stime preliminari dell'esposizione.

⚠ AVVERTENZA:

- L'emissione delle vibrazioni durante l'uso effettivo dell'utensile elettrico può risultare diversa rispetto al valore dichiarato, in base alla modalità d'uso dell'utensile.
- Assicurarsi di individuare le necessarie misure di sicurezza per proteggere l'operatore in base a una stima dell'esposizione nelle condizioni reali di utilizzo (prendendo in considerazione tutte le fasi del ciclo operativo, come quante volte l'utensile viene spento e i periodi in cui rimane inattivo, oltre al tempo di avviamento).

Solo per i paesi europei

ENH101-14

Dichiarazione di conformità CE

Makita Corporation, in qualità di produttore responsabile, dichiara che le macchine Makita indicate di seguito:

Denominazione della macchina:

Soffiante senza fili

N. modello/Tipo: BUB142, BUB182

appartengono a una produzione in serie e

sono conformi alle seguenti direttive europee:

2006/42/CE

Sono inoltre prodotti in conformità con gli standard o i documenti standardizzati riportati di seguito:

EN60745

La documentazione tecnica viene conservata dal rappresentante autorizzato in Europa, ovvero:

Makita International Europe Ltd.

Michigan Drive, Tongwell,

Milton Keynes, MK15 8JD, Inghilterra

30. 1. 2009



Tomoyasu Kato
Direttore

Makita Corporation
3-11-8, Sumiyoshi-cho,
Anjo, Aichi, JAPAN

NEDERLANDS (Originele instructies)

Verklaring van algemene gegevens

- | | | |
|----------------------|---------------------------|--------------------|
| 1. Rode deel | 5. Luchtvolume-instelwiel | 9. Stofzak |
| 2. Knop | 6. Aan/uit-schakelaar | 10. Aanzuigopening |
| 3. Accu | 7. Mondstuk | 11. Sluiting |
| 4. Instelmarkeringen | 8. Uitblaasopening | |

TECHNISCHE GEGEVENS

Model		BUB142	BUB182
Vermogen	Luchtdruk (waterkolom)	0 t/m 550 mm	
	Luchtvolume	0 - 2,6 m ³ /min	
Nullasttoerental (min ⁻¹)		0 - 18.000	
Totale lengte		509 mm	
Netto gewicht		1,6 kg	1,7 kg
Nominale spanning		14,4 V gelijkstroom	18 V gelijkstroom

- Als gevolg van ons doorlopende onderzoeks- en ontwikkelingsprogramma, zijn de technische gegevens van dit gereedschap onderhevig aan veranderingen zonder voorafgaande kennisgeving.
- Specificaties en accu's kunnen van land tot land verschillen.
- Gewicht, inclusief de accu, volgens de EPTA-procedure 01/2003

Symbolen END004-4

Hieronder staan de symbolen die voor dit gereedschap worden gebruikt.

Zorg ervoor dat u weet wat ze betekenen alvorens het gereedschap te gebruiken.



..... Lees de gebruiksaanwijzing.



..... Alleen voor EU-landen

Geef elektrisch gereedschap en accu's niet met het huisvuil mee! Volgens de Europese richtlijn 2002/96/EC inzake oude elektrische en elektronische apparaten, 2006/66/EG inzake batterijen en accu's en de toepassing daarvan binnen de nationale wetgeving, dienen gebruikt elektrisch gereedschap en accu's gescheiden te worden ingezameld en te worden afgevoerd naar een recyclebedrijf dat voldoet aan de geldende milieueisen.

Gebruiksdoelinden BNE018-1

Het gereedschap is bedoeld om stof te blazen.

Algemene veiligheids waarschuwingen voor elektrisch gereedschap GEA006-2

⚠ WAARSCHUWING Lees alle veiligheids waarschuwingen en alle instructies. Het niet volgen van de waarschuwingen en instructies kan leiden tot elektrische schokken, brand en/of ernstig letsel.

Bewaar alle waarschuwingen en instructies om in de toekomst te kunnen raadplegen.

De term "elektrisch gereedschap" in de waarschuwingen verwijst naar elektrisch gereedschap (bekabeld) dat werkt op netstroom en elektrisch gereedschap (draadloos) dat werkt op een accu.

Veiligheid op de werkplek

1. **Houd uw werkplek schoon en zorg voor goede verlichting.** Op een rommelige of donkere werkplek gebeuren vaker ongelukken.
2. **Werk niet met elektrische gereedschappen in een omgeving met ontploffingsgevaar, zoals een omgeving met brandbare vloeistoffen, gassen of stof.** Elektrische gereedschap produceert vonken die de dampen of het stof kunnen ontsteken.
3. **Houd kinderen en omstanders uit de buurt tijdens het gebruik van elektrisch gereedschap.** Door afleiding kunt u de controle over het gereedschap verliezen.

Elektrische veiligheid

4. **De stekker van een elektrisch gereedschap moet overeenkomen met het stopcontact. Verander de stekker nooit op geen enkele manier. Gebruik geen adapterstekkers voor geaard elektrisch gereedschap.** Met de standaardstekker in een overeenkomstig stopcontact verkleint u de kans op een elektrische schok.
5. **Voorkom lichamelijk contact met geaarde oppervlakken, zoals pijpen, radiatoren, fornuizen en koelkasten.** De kans op een elektrische schok is groter wanneer uw lichaam is geaard.
6. **Stel elektrisch gereedschap niet bloot aan regen of natte omstandigheden.** Als water binnendringt in

het elektrisch gereedschap, wordt de kans op een elektrische schok groter.

7. **Behandel het netsnoer voorzichtig. Gebruik het netsnoer nooit om het elektrisch gereedschap aan te dragen, eraan te trekken, of de stekker ervan uit het stopcontact te trekken. Houd het netsnoer uit de buurt van hitte, olie, scherpe randen en bewegende delen.** Beschadigde en in de war geraakte snoeren verhogen de kans op een elektrische schok.
8. **Bij gebruik van elektrisch gereedschap buitenshuis, gebruikt u een verlengsnoer dat geschikt is voor gebruik buitenshuis.** Door een verlengsnoer te gebruiken dat geschikt is voor gebruik buitenshuis, verkleint u de kans op een elektrische schok.
9. **Als het onvermijdbaar is een elektrisch gereedschap te gebruiken in een vochtige omgeving, gebruikt u een voeding uitgerust met een aardsluitingstroomonderbreker (GFCI).** Hierdoor wordt de kans op een elektrische schok verkleind.

Persoonlijke veiligheid

10. **Let altijd goed op, kijk naar wat u aan het doen bent, en gebruik uw gezond verstand tijdens het gebruik van een elektrisch gereedschap. Gebruik een elektrisch gereedschap niet wanneer u moe bent, of onder invloed staat van drugs, alcohol of medicijnen.** Een ogenblik van onoplettendheid kan tijdens het gebruik van een elektrisch gereedschap leiden tot ernstig persoonlijk letsel.
 11. **Gebruik persoonlijke-veiligheidsmiddelen. Draag altijd oogbescherming.** Persoonlijke-veiligheidsmiddelen, zoals stofmaskers, slipvaste veiligheidsschoenen, veiligheidshelm en gehoorbescherming, gebruikt in toepasselijke situaties, dragen bij tot een verlaging van persoonlijk letsel.
 12. **Voorkom onbedoeld starten. Controleer dat de schakelaar in de uit-stand staat alvorens het gereedschap aan te sluiten op de voeding en/of accu, op te pakken of te dragen.** Door elektrisch gereedschap te dragen met uw vinger op de schakelaar, of door het gereedschap op een voeding aan te sluiten terwijl de schakelaar aan staat, neemt de kans op ongelukken sterk toe.
 13. **Verwijder afstelsleutels en tangen voordat u het elektrisch gereedschap inschakelt.** Een sleutel of tang die nog aan een draaiend deel van het elektrisch gereedschap vastzit, kan persoonlijk letsel veroorzaken.
 14. **Reik niet te ver. Zorg altijd voor een stevige stand en goede lichaamsbalans.** Hierdoor heeft u een betere controle over het elektrisch gereedschap in onverwachte situaties.
 15. **Draag geschikte kleding. Draag geen losse kleding of sieraden. Houd uw haar, kleding en handschoenen uit de buurt van bewegende delen.** Loshangende kleding, sieraden en lang haar kunnen verstrikt raken in bewegende delen.
16. **Als het elektrisch gereedschap is uitgerust met een aansluiting voor stofafzuig- en stofopvangvoorzieningen, zorgt u ervoor dat deze zijn aangesloten en correct worden gebruikt.** Het gebruik van een stofvanger kan gevaar door stof verminderen.
- #### **Elektrisch gereedschap en onderhoud**
17. **Overbelast het elektrisch gereedschap niet. Gebruik het juiste elektrisch gereedschap voor het werk.** Het juiste elektrisch gereedschap werkt beter en veiliger binnen het aangegeven capaciteitsbereik.
 18. **Gebruik het elektrisch gereedschap niet als het niet kan worden in- en uitgeschakeld met de schakelaar.** Ieder elektrisch gereedschap dat niet met de schakelaar kan worden bediend is gevaarlijk en moet eerst worden gerepareerd.
 19. **Koppel de stekker los van de netstroom en/of haal de accu uit het elektrisch gereedschap voordat u afstellingen maakt, hulpstukken vervangt, of het elektrisch gereedschap opbergt.** Dergelijke preventieve veiligheidsmaatregelen verkleinen de kans dat het elektrisch gereedschap per ongeluk wordt ingeschakeld.
 20. **Bewaar elektrische gereedschappen die niet worden gebruikt buiten het bereik van kinderen en voorkom dat personen die onbekend zijn met het gebruik ervan of met deze instructies het elektrisch gereedschap gebruiken.** Elektrische gereedschappen zijn gevaarlijk in de handen van onervaren gebruikers.
 21. **Onderhoud het elektrisch gereedschap goed. Controleer op een slechte uitlijning of het aanlopen van draaiende delen, het afbreken van onderdelen en alle andere situaties die van invloed kunnen zijn op de werking van het elektrisch gereedschap. Als het elektrisch gereedschap beschadigd is, laat u het eerst repareren voordat u het gebruikt.** Veel ongelukken worden veroorzaakt doordat het elektrisch gereedschap slecht wordt onderhouden.
 22. **Houd snij- en zaaggarnituren scherp en schoon.** Goed onderhouden snij- en zaaggarnituren met scherpe snij- en zaagranden lopen minder vaak vast en zijn gemakkelijker te gebruiken.
 23. **Gebruik het elektrisch gereedschap met de bijbehorende accessoires, bits, enz., overeenkomstig deze instructies, met inachtneming van de werkomstandigheden en het werd dat wordt uitgevoerd.** Het gebruik van het elektrisch gereedschap bij andere werkzaamheden dan waarvoor het is bedoeld, kan leiden tot gevaarlijke situaties.
- #### **Elektrisch gereedschap en onderhoud**
24. **Laad alleen op met de acculader aanbevolen door de fabrikant.** Een acculader die geschikt is voor een bepaald type accu, kan brandgevaar opleveren indien gebruikt met een ander type accu.
 25. **Gebruik het gereedschap uitsluitend met de daarvoor bestemde accu.** Als u een andere accu

erin gebruikt, kan dit leiden tot persoonlijk letsel of brand.

26. **Als de accu niet wordt gebruikt, houdt u deze uit de buurt van metalen voorwerpen zoals paperclips, muntgeld, sleutels, schroeven en andere kleine metalen voorwerpen die een kortsluiting kunnen veroorzaken tussen de accupolen.** Kortsluiting tussen de accupolen kan leiden tot brandwonden of brand.
27. **Onder zware gebruiksomstandigheden kan vloeistof uit de accu komen. Voorkom aanraking!** Als u deze vloeistof per ongeluk aanraakt, wast u deze goed af met water. Als de vloeistof in uw ogen komt, raadpleegt u tevens een arts. Vloeistof uit de accu kan irriteren en brandwonden veroorzaken.

Reparatie en onderhoud

28. **Laat uw elektrisch gereedschap repareren door een vakbekwame reparateur die gebruik maakt van uitsluitend identieke vervangingsonderdelen.** Hiermee bent u ervan verzekerd dat de veiligheid van het elektrisch gereedschap behouden blijft.
29. **Volg de instructies voor het smeren en verwisselen van accessoires.**
30. **Houd de handgrepen droog, schoon en vrij van olie en vetten.**

VEILIGHEIDSWAARSCHUWINGEN SPECIFIEK VOOR EEN ACCULUCHTBLAZER

GEB076-1

1. **Gebruik altijd een veiligheidsbril, een pet en een gezichtsmasker tijdens het gebruik van de luchtblazer.**
2. **Richt het mondstuk nooit op iemand in de buurt tijdens het gebruik van de luchtblazer.**
3. **Gebruik altijd de stofzak bij het opzuigen van stof, houtsnippers en dergelijke.**
4. **Zuig geen smeulende sigarettenas, net geslepen metaalslijpsel, schroeven, spijkers en dergelijke op. Waarschuwing: u kunt een elektrische schok krijgen bij gebruik op een natte ondergrond. Stel het gereedschap niet bloot aan regen. Bewaar binnenshuis.**
5. **Blokkeer de aanzuigopening en/of uitblaasopening nooit. Door het oplopende motortoerental kunnen de ventilatorschoepen afbreken en kan een gevaarlijke situatie ontstaan.**
6. **De luchtblazer is niet bedoeld voor gebruik door jonge kinderen of zieke mensen zonder toezicht.**
7. **Jonge kinderen moeten onder toezicht staan om ervoor te zorgen dat ze niet met de luchtblazer spelen.**

BEWAAR DEZE INSTRUCTIES.

WAARSCHUWING:

Laat u NIET misleiden door een vals gevoel van comfort en bekendheid met het gereedschap (na veelvuldig gebruik) en neem alle veiligheidsvoorschriften van het betreffende product altijd strikt in acht. VERKEERD GEBRUIK of het niet volgen van de veiligheidsinstructies in deze

gebruiksaanwijzing kan leiden tot ernstig persoonlijk letsel.

BELANGRIJKE VEILIGHEIDSINSTRUCTIES

ENC007-5

VOOR ACCU'S

1. **Alvorens de accu in gebruik te nemen, leest u eerst alle instructies en waarschuwingsofschriften op (1) de acculader, (2) de accu en (3) het apparaat waarin de accu wordt aangebracht.**
2. **Haal de accu niet uit elkaar.**
3. **Als de gebruikstijd aanzienlijk korter is geworden, stopt u onmiddellijk met het gebruik. Anders kan dit leiden tot kans op oververhitting, mogelijke brandwonden en zelfs een explosie.**
4. **Als de elektrolyt in uw ogen komt, wast u deze uit met schoon water en raadpleegt u onmiddellijk een arts. Dit kan leiden tot verlies van gezichtsvermogen.**
5. **Sluit de accu niet kort:**
 - (1) **Raak de accupolen niet aan met enig geleidend materiaal.**
 - (2) **Bewaar de accu niet op een plaats waar deze in aanraking kan komen met andere metalen voorwerpen, zoals spijkers, munten, enz.**
 - (3) **Stel de accu niet bloot aan water of regen. Kortsluiting van de accu kan leiden tot een hoge stroomsterkte, oververhitting, mogelijke brandwonden en zelfs een defect.**
6. **Bewaar het gereedschap en de accu niet op plaatsen waar de temperatuur kan oplopen tot 50 °C of hoger.**
7. **Werp de accu niet in een vuur, zelfs niet als deze al ernstig beschadigd of helemaal versleten is. De accu kan in een vuur exploderen.**
8. **Wees voorzichtig dat u de accu niet laat vallen of ergens tegenaan stoot.**
9. **Gebruik nooit een beschadigde accu.**

BEWAAR DEZE INSTRUCTIES.

Tips voor een lange levensduur van de accu

1. **Laad de accu op voordat deze volledig leeg is. Wanneer u merkt dat het gereedschap minder vermogen heeft, stopt u met het gebruik ervan en laadt u eerst de accu op.**
2. **Laad nooit een volledig opgeladen accu op. Te lang opladen verkort de levensduur van de accu.**
3. **Laad de accu op bij een omgevingstemperatuur van 10 °C tot 40 °C. Laat een warme accu eerst afkoelen voordat u deze oplaadt.**

BESCHRIJVING VAN DE FUNCTIES

LET OP:

- Zorg ervoor dat het gereedschap is uitgeschakeld en dat de accu is verwijderd voordat u de werking van het gereedschap aanpast of controleert.

De accu aanbrengen en verwijderen (zie afb. 1)

- Schakel het gereedschap altijd uit voordat u de accu aanbrengt of verwijderd.
- Om de accu te verwijderen, drukt u de knoppen aan beide zijkanen van de accu in en trekt u tegelijkertijd de accu uit het gereedschap.
- Om de accu aan te brengen lijnt u de lip op de accu uit met de groef in de behuizing en duwt u de accu op zijn plaats. Steek de accu zo ver mogelijk in het gereedschap tot u een klikgeluid hoort. Als u dit niet doet, kan de accu per ongeluk uit het gereedschap vallen en u of anderen in uw omgeving verwonden.
- Oefen geen grote kracht uit bij het aanbrengen van de accu. Als de accu niet gemakkelijk in het gereedschap kan worden gestoken, wordt deze niet goed aangebracht.

Werking van de aan/uit-schakelaar

LET OP:

- Controleer altijd, voordat u de accu in het gereedschap steekt, of de aan/uit-schakelaar op de juiste manier schakelt en weer terugkeert naar de uit-stand nadat deze is losgelaten.

Om het gereedschap in te schakelen, knijpt u gewoon de aan/uit-schakelaar in. De draaisnelheid van het gereedschap neemt toe naarmate u meer druk uitoefent op de aan/uit-schakelaar. Laat de aan/uit-schakelaar los om het gereedschap te stoppen (zie afb. 2).

Luchtvolume-instelwiel

Het luchtvolume kan worden ingesteld op één van de drie instellingen door de aan/uit-schakelaar volledig in te knijpen en het instelwiel te draaien. Raadpleeg onderstaande tabel voor de verhouding tussen het luchtvolume en het cijfer op het instelwiel.

Cijfer op het instelwiel	Luchtvolume
3	Hoog
2	Normaal
1	Laag

LET OP:

- Gebruik het instelwiel alleen nadat de aan/uit-schakelaar in de uit-stand is gezet. Als u het instelwiel draait voordat de aan/uit-schakelaar in de uit-stand staat, kan het gereedschap worden beschadigd.
- Als het gereedschap continu wordt bediend totdat de accu leeg is, laat u het gereedschap gedurende 15 minuten liggen alvorens verder te werken met een volle accu.

ONDERDELEN AANBRENGEN/ VERWIJDEREN

Stof wegblazen

Om stof weg te blazen, plaats u het mondstuk op de uitblaasopening en draait u dit rechtsom om het op zijn plaats te vergrendelen (zie afb. 3).

Stof opzuigen (zie afb. 4)

Om stof op te zuigen, brengt u het mondstuk aan op de aanzuigopening en bevestigt u de stofzak aan de uitblaasopening.

Wanneer de stofzak vol zit met stof, leegt u de stofzak boven een afvalcontainer door de sluiting eraf te trekken (zie afb. 5).

LET OP:

- Leeg de stofzak voordat deze te vol raakt omdat dan de zuigkracht afneemt.

ONDERHOUD

LET OP:

- Zorg er altijd voor dat de machine is uitgeschakeld en de accu is verwijderd, voordat u een inspectie of onderhoud uitvoert.
- Gebruik nooit benzine, wasbenzine, thinner, alcohol, enz. Dit kan leiden tot verkleuren, vervormen of barsten.

Schoonmaken

Veeg regelmatig de buitenkant van het gereedschap schoon met een in zeepwater bevochtigde doek. Gebruik nooit benzine, thinner en dergelijke omdat deze verkleuring en/of barsten kunnen veroorzaken (zie afb. 6).

Om de VEILIGHEID en BETROUWBAARHEID van het gereedschap te handhaven, dienen alle reparaties, onderhoud en afstellingen te worden uitgevoerd door een erkend Makita-servicecentrum, en altijd met gebruikmaking van originele Makita-ervangingsonderdelen.

ACCESSOIRES

LET OP:

- Deze accessoires of hulpstukken worden aanbevolen voor gebruik met het Makita-gereedschap dat in deze gebruiksaanwijzing wordt beschreven. Het gebruik van andere accessoires of hulpstukken kan gevaar voor persoonlijk letsel opleveren. Gebruik de accessoires of hulpstukken uitsluitend voor de aangegeven gebruiksdoeleinden.

Mocht u meer informatie willen hebben over deze accessoires, dan kunt u contact opnemen met uw plaatselijke Makita-servicecentrum.

- Mondstuk
- Stofzak
- Hoekmondstuk
- Rechte pijp
- Flexibele slang
- Scharnierstuk

- Diverse types originele Makita-accu's en acculaders

Geluid

ENG905-1

De typische, A-gewogen geluidsniveaus zijn gemeten volgens EN60745:

Model BUB142

Geluidsdrukniveau (L_{pA}): 86 dB (A)

Geluidsvermogeniveau (L_{WA}): 97 dB (A)

Onzekerheid (K): 3 dB (A)

Model BUB182

Geluidsdrukniveau (L_{pA}): 83 dB (A)

Geluidsvermogeniveau (L_{WA}): 94 dB (A)

Onzekerheid (K): 3 dB (A)

Draag gehoorbescherming.

Trillingen

ENG900-1

De totale trillingswaarde (triaxiale vectorsom) zoals vastgesteld volgens EN60745:

Gebruikstoepassing: onbelaste werking

Trillingsemissie (a_h): 2,5 m/s² of minder

Onzekerheid (K): 1,5 m/s²

ENG901-1

- De opgegeven trillingsemissiewaarde is gemeten volgens de standaardtestmethode en kan worden gebruikt om dit gereedschap te vergelijken met andere gereedschappen.
- De opgegeven trillingsemissiewaarde kan ook worden gebruikt voor een beoordeling vooraf van de blootstelling.

WAARSCHUWING:

- De trillingsemissie tijdens het gebruik van het elektrisch gereedschap in de praktijk kan verschillen van de opgegeven trillingsemissiewaarde afhankelijk van de manier waarop het gereedschap wordt gebruikt.
- Zorg ervoor dat veiligheidsmaatregelen worden getroffen ter bescherming van de operator die zijn gebaseerd op een schatting van de blootstelling onder praktijkomstandigheden (rekening houdend met alle fasen van de bedrijfscyclus, zoals de tijdsduur gedurende welke het gereedschap is uitgeschakeld en stationair draait, naast de ingeschakelde tijdsduur).

Alleen voor Europese landen

ENG101-14

EU-verklaring van conformiteit

Wij, Makita Corporation, als de verantwoordelijke fabrikant, verklaren dat de volgende Makita-machine(s):

Aanduiding van de machine:

Acculuchtblazer

Modelnr./Type: BUB142 en BUB182

in serie zijn geproduceerd en

Voldoen aan de volgende Europese richtlijnen:

2006/42/EC

En zijn gefabriceerd in overeenstemming met de

volgende normen of genormaliseerde documenten:

EN60745

De technische documentatie wordt bewaard door onze erkende vertegenwoordiger in Europa, te weten:

Makita International Europe Ltd.

Michigan Drive, Tongwell,

Milton Keynes, MK15 8JD, Engeland

30. 1. 2009



Tomoyasu Kato

Directeur

Makita Corporation

3-11-8, Sumiyoshi-cho,

Anjo, Aichi, JAPAN

ESPAÑOL (Instrucciones originales)

Descripción y visión general

- | | | |
|---------------------------|---------------------------------------|------------------------|
| 1. Parte roja | 5. Dial de ajuste del volumen de aire | 9. Bolsa para el polvo |
| 2. Botón | 6. Interruptor disparador | 10. Entrada de succión |
| 3. Cartucho de la batería | 7. Boquilla | 11. Fijador |
| 4. Punteros | 8. Salida del soplador | |

ESPECIFICACIONES

Modelo		BUB142	BUB182
Capacidades	Presión de aire (columna de agua)	0 - 550 mm	
	Volumen de aire	0 - 2,6 m ³ /min.	
Velocidad en vacío (mín ⁻¹)		0 - 18.000	
Longitud total		509 mm	
Peso neto		1,6 kg	1,7 kg
Tensión nominal		CC de 14,4 V	CC de 18 V

- Debido a nuestro programa continuo de investigación y desarrollo, las especificaciones aquí descritas están sujetas a cambios sin previo aviso.
- Las especificaciones y el cartucho de la batería pueden variar de un país a otro.
- Peso, con el cartucho de la batería, de acuerdo con el procedimiento EPTA 01/2003

Símbolos

END004-4

Se utilizan los siguientes símbolos para el equipo.

Asegúrese de que comprende su significado antes del uso.



..... Lea el manual de instrucciones.



..... Sólo para países de la UE

¡No deseche el aparato eléctrico o la batería junto con los residuos domésticos!

De conformidad con la Directiva Europea 2002/96/CE sobre residuos de aparatos eléctricos y electrónicos, 2006/66/CE sobre baterías y acumuladores y el desecho de baterías y acumuladores y su aplicación de acuerdo con la legislación nacional, la herramienta eléctrica y la batería cuya vida útil hayan llegado a su fin se deberán recoger por separado y trasladar a una planta de reciclaje que cumpla con las exigencias ecológicas.

Uso previsto

BNE018-1

La herramienta está diseñada para soplar polvo.

Advertencias de seguridad generales para herramientas eléctricas

GEA006-2

⚠ ADVERTENCIA Lea todas las advertencias de seguridad y todas las instrucciones. La no observancia de las advertencias y las instrucciones puede provocar descargas eléctricas, incendios y/o lesiones graves.

Guarde todas las advertencias e instrucciones para futuras consultas.

El término "herramienta eléctrica" usado en las advertencias de seguridad se refiere tanto a una herramienta que funciona con alimentación eléctrica (con cable) como a una herramienta que funciona con batería (sin cables).

Seguridad del área de trabajo

1. **Mantenga el área de trabajo limpia y bien iluminada.** Las áreas oscuras o desordenadas favorecen los accidentes.
2. **No maneje herramientas eléctricas en atmósferas explosivas, tales como aquellas en las que haya presencia de polvo, gases o líquidos inflamables.** Las herramientas eléctricas producen chispas que pueden encender el polvo o los gases.
3. **Mantenga alejados a los niños y a las personas circundantes durante el manejo de una herramienta eléctrica.** Si se distrae, puede perder el control de la herramienta.

Seguridad en materia de electricidad

4. **El enchufe de la herramienta eléctrica debe coincidir con el tomacorriente. No modifique el enchufe de ningún modo. No utilice enchufes adaptadores con herramientas eléctricas con conexión a tierra (a masa).** El uso de enchufes sin modificar y de tomacorrientes coincidentes reduce el riesgo de descarga eléctrica.
5. **Evite el contacto corporal con superficies puestas a tierra (a masa), tales como tuberías, radiadores, fogones de cocina y frigoríficos.** Se corre más riesgo de sufrir una descarga eléctrica si el cuerpo está puesto a tierra (a masa).

6. **No exponga las herramientas eléctricas a la lluvia o a la humedad.** Si entra agua en una herramienta eléctrica, aumenta el riesgo de sufrir una descarga eléctrica.
7. **No maltrate el cable. Nunca utilice el cable para transportar la herramienta eléctrica, tirar de ella o desenchufarla. Mantenga el cable alejado del calor, aceite, objetos cortantes o piezas móviles.** Los cables dañados o enredados aumentan el riesgo de sufrir una descarga eléctrica.
8. **A la hora de manejar una herramienta eléctrica en el exterior, utilice un cable de extensión apropiado para uso en exteriores.** Si lo utiliza, se reduce el riesgo de sufrir una descarga eléctrica.
9. **Si el uso de una herramienta eléctrica en un lugar húmedo es inevitable, utilice una fuente de alimentación protegida por un disyuntor diferencial (GFCI).** El uso de un disyuntor diferencial (GFCI) reduce el riesgo de descargas eléctricas.

Seguridad personal

10. **Esté atento, preste atención a lo que está haciendo y utilice su sentido común al manejar una herramienta eléctrica. No utilice la herramienta eléctrica cuando esté cansado o bajo la influencia de drogas, alcohol o medicamentos.** Un momento de distracción mientras maneja una herramienta eléctrica puede dar como resultado daños corporales graves.
11. **Utilice equipo de protección personal. Utilice siempre protección para los ojos.** El uso de equipos de protección en las condiciones adecuadas, como mascarillas antipolvo, calzado de seguridad antideslizante, cascos o protección para los oídos, reduce el riesgo de sufrir daños corporales.
12. **Evite el encendido accidental de la herramienta. Asegúrese de que el interruptor esté en la posición de apagado antes de conectar la herramienta a la fuente de alimentación y/o la batería, recoger la herramienta o transportarla.** Si transporta la herramienta eléctrica con su dedo en el interruptor o si enchufa la herramienta estando ésta encendida, se favorecen los accidentes.
13. **Retire cualquier tipo de llave de ajuste antes de encender la herramienta eléctrica.** Si se deja alguna llave puesta en una pieza giratoria de la herramienta eléctrica, puede sufrir daños corporales.
14. **No haga demasiadas cosas al mismo tiempo. Mantenga el equilibrio y una postura adecuada en todo momento.** De esta manera tendrá un mejor control de la herramienta eléctrica en situaciones inesperadas.
15. **Use la indumentaria apropiada. No lleve ropa holgada ni joyas. Mantenga el cabello, la ropa y los guantes alejados de las piezas móviles.** Las ropas sueltas, las joyas o el cabello largo pueden quedar atrapados en ellas.
16. **Si se proveen dispositivos para la conexión de equipos de extracción y recolección de polvo, asegúrese de que estén conectados y de que se**

utilicen adecuadamente. La recolección del polvo puede reducir los peligros relacionados con el polvo.

Uso y mantenimiento de la herramienta eléctrica

17. **No fuerce la herramienta eléctrica. Utilice la herramienta eléctrica correcta para su aplicación.** La herramienta eléctrica adecuada hará un trabajo mejor y más seguro a la velocidad para la que ha sido fabricada.
18. **No utilice la herramienta eléctrica si el interruptor no se enciende y apaga.** Toda herramienta eléctrica que no pueda controlarse con el interruptor es peligrosa y debe repararse.
19. **Desconecte la herramienta eléctrica de la fuente de suministro eléctrico y/o batería antes de realizar algún ajuste, cambiar accesorios o almacenar la herramienta.** Dichas medidas de seguridad preventivas reducen el riesgo de poner en marcha la herramienta eléctrica de forma accidental.
20. **Si no usa la herramienta eléctrica, guárdela fuera del alcance de los niños, y no permita que las personas que no están familiarizadas con ella o con estas instrucciones la manejen.** Las herramientas eléctricas son peligrosas en manos de personas que no están debidamente capacitadas.
21. **Realice el mantenimiento de la herramienta eléctrica. Compruebe si las piezas móviles están desalineadas o agarradas, si hay piezas rotas o si existe algún otro estado que pueda afectar al funcionamiento de la herramienta eléctrica. Si la herramienta eléctrica estuviera dañada, repárela antes de utilizarla.** Muchos accidentes se producen porque la herramienta eléctrica no tiene un buen mantenimiento.
22. **Mantenga las herramientas de corte limpias y afiladas.** Si reciben un mantenimiento adecuado y tienen los bordes afilados, es menos probable que las herramientas se agarroten y, a la vez, son más fáciles de controlar.
23. **Utilice los accesorios y las brocas, etc. de la herramienta de acuerdo con estas instrucciones, teniendo en cuenta las condiciones de trabajo y el trabajo que se va a realizar.** Si utiliza la herramienta eléctrica para realizar operaciones distintas de las previstas, puede presentarse una situación peligrosa.

Uso y mantenimiento de la herramienta a batería

24. **Recárguela solamente con el cargador especificado por el fabricante.** Un cargador que es adecuado para un tipo de batería puede crear un riesgo de incendio cuando se usa con otra batería.
25. **Utilice las herramientas eléctricas solamente con los paquetes de batería designados.** El uso de cualquier otra batería puede crear un riesgo de lesiones e incendio.
26. **Cuando no se utilice la batería, manténgala alejada de otros objetos metálicos, como clips de papel, monedas, llaves, clavos, tornillos u otros objetos metálicos pequeños que puedan establecer una conexión entre los terminales.** El cortocircuito de los terminales de la batería puede provocar quemaduras o un incendio.

27. En condiciones de maltrato, la batería puede expulsar líquido; evite el contacto con él. Si se produce un contacto accidental, lávelo con agua. Si el líquido entra en contacto con los ojos, adicionalmente, solicite ayuda médica. El líquido expulsado de la batería puede provocar irritaciones o quemaduras.

Reparación

28. Haga que su herramienta eléctrica sea reparada por una persona cualificada que utilice solamente repuestos idénticos a los que tiene la unidad. De esta manera se asegurará de que se mantenga la seguridad de la herramienta eléctrica.
29. Siga las instrucciones para lubricar y cambiar accesorios.
30. Mantenga las empuñaduras secas, limpias y libres de aceite y grasa.

ADVERTENCIAS DE SEGURIDAD DEL SOPLADOR SIN CABLE

GEB076-1

1. Utilice siempre gafas de protección, gorro y máscara cuando emplee el soplador.
2. No apunte nunca la boquilla hacia nadie que esté cerca cuando utilice el soplador.
3. Emplee siempre la bolsa del polvo para recoger polvo, virutas y otros elementos parecidos.
4. No recoja cenizas de cigarrillos cuando todavía estén humeantes, virutas metálicas recién cortadas, ni tornillos, clavos y otros objetos parecidos. Advertencia: Se puede producir una descarga eléctrica si se utiliza en superficies húmedas. No exponga la herramienta a la lluvia. Almacénela a cubierto.
5. No bloquee nunca la entrada de succión ni la salida del soplador. El aumento de las revoluciones del motor puede provocar la rotura del ventilador, lo cual puede ser peligroso.
6. El soplador no está diseñado para niños de tierna edad o personas de salud delicada.
7. Vigile a los niños pequeños para que no utilicen el soplador como un juguete.

GUARDE ESTAS INSTRUCCIONES.

ADVERTENCIA:

NO deje que la comodidad o la familiaridad con el producto (a base de utilizarlo repetidamente) sustituya la estricta observancia de las normas de seguridad del producto en cuestión. El MAL USO o la no observancia de las normas de seguridad expuestas en este manual de instrucciones pueden ocasionar graves daños corporales.

INSTRUCCIONES DE SEGURIDAD IMPORTANTES

ENC007-5

PARA EL CARTUCHO DE LA BATERÍA

1. Antes de utilizar el cartucho de la batería, lea todas las instrucciones y referencias de precaución que se encuentran en (1) el cargador de baterías, (2) la batería y (3) el producto que utiliza la batería.
2. No desmonte el cartucho de la batería.
3. Si el tiempo de funcionamiento es excesivamente corto, deje de utilizar la herramienta de inmediato. De lo contrario, existe el riesgo de sobrecalentamiento, quemaduras e incluso explosión.
4. Si se produce contacto ocular con electrolito, enjuáguese los ojos con agua limpia y acuda de urgencia al médico. Corre el riesgo de perder la visión.
5. No cortocircuite el cartucho de la batería:
 - (1) No toque los terminales con material conductor.
 - (2) Evite guardar el cartucho de la batería en un recipiente con otros objetos metálicos, como clavos, monedas, etc.
 - (3) No exponga el cartucho de la batería al agua o a la lluvia.
Un cortocircuito puede provocar un elevado flujo de corriente, sobrecalentamiento, quemaduras o incluso una avería.
6. No almacene la herramienta ni el cartucho de la batería en lugares donde la temperatura supere los 50°C (122°F).
7. No queme el cartucho de la batería aunque esté gravemente dañado o completamente gastado. El cartucho de la batería puede explotar si entra en contacto con fuego.
8. Procure que la batería no sufra golpes ni caídas.
9. No utilice una batería dañada.

GUARDE ESTAS INSTRUCCIONES.

Consejos para conseguir una mayor duración de la batería

1. Cargue la batería antes de que se descargue por completo.
Cuando observe que la herramienta tiene menos potencia, deje de utilizarla y cargue el cartucho de la batería.
2. No recargue nunca un cartucho de batería completamente cargado.
La sobrecarga acorta la vida útil de la batería.
3. Cargue el cartucho de la batería a una temperatura ambiente que oscile entre 10°C y 40°C (50°F - 104°F).
Antes de cargar un cartucho de batería caliente, deje que se enfríe.

DESCRIPCIÓN DEL FUNCIONAMIENTO

PRECAUCIÓN:

- Antes de ajustar o de comprobar la herramienta, asegúrese siempre de que está apagada y de que la batería ha sido extraída.

Instalación o extracción del cartucho de la batería (Fig. 1)

- Apague siempre la herramienta antes de insertar o extraer el cartucho de la batería.
- Para extraer el cartucho de la batería, quítelo de la herramienta al mismo tiempo que pulsa los botones situados a ambos lados del cartucho.
- Para insertar el cartucho de la batería, alinee la lengüeta situada en el cartucho de la batería con la ranura del alojamiento e insértela. Insértela completamente hasta que quede firmemente sujeta y se bloquee con un clic. De lo contrario, el cartucho puede desprenderse accidentalmente de la herramienta y causar lesiones al operario o a alguna persona que se encuentre cerca.
- No haga fuerza al insertar el cartucho de la batería. Si no se inserta suavemente, significa que no lo está instalando correctamente.

Acción del interruptor

PRECAUCIÓN:

- Antes de insertar el cartucho de la batería en la herramienta, asegúrese siempre de que el interruptor disparador funciona como es debido y que vuelve a la posición "OFF" (apagado) al soltarlo.

Para poner en marcha la herramienta, simplemente accione el interruptor disparador. La velocidad de la herramienta aumenta al incrementar la presión sobre el interruptor disparador. Suelte el interruptor disparador para detener la herramienta. (Fig. 2)

Dial de ajuste del volumen de aire

El volumen de aire se puede ajustar en cualquiera de las tres posiciones girando el dial de ajuste con el interruptor disparador completamente apretado. Consulte la tabla siguiente para ver el volumen de aire que se corresponde con cada número del dial.

Número del dial	Volumen de aire
3	Alto
2	Medio
1	Bajo

PRECAUCIÓN:

- Gire el dial de ajuste siempre después de que el interruptor disparador vuelva a la posición "OFF" (apagado). Si lo hace antes, se pueden producir daños en la herramienta.
- Si la herramienta se utiliza continuamente hasta que el cartucho de la batería se descarga, deje reposar la herramienta durante al menos 15 minutos antes de continuar con una batería cargada.

MONTAJE

Soplado

Para soplar polvo, una la boquilla a la salida del soplador, girándola hacia la derecha para bloquearla en la posición adecuada. (Fig. 3)

Succión del polvo (Fig. 4)

Para la succión del polvo, coloque la boquilla en la entrada de succión y la bolsa para el polvo en la salida del soplador.

Cuando la bolsa esté llena, vacíela en un recipiente soltando el fijador. (Fig. 5)

PRECAUCIÓN:

- Vacíe la bolsa antes de que se llene demasiado, ya que, en caso contrario, se pierde potencia de succión.

MANTENIMIENTO

PRECAUCIÓN:

- Asegúrese de apagar siempre la herramienta y extraer el cartucho de la batería antes de intentar realizar cualquier trabajo de inspección o mantenimiento en ella.
- Nunca utilice gasolina, benceno, disolvente, alcohol o un producto similar. Se puede provocar una decoloración, una deformación o grietas.

Limpieza

Limpie de vez en cuando la parte externa de la herramienta con un paño humedecido en agua con jabón. Nunca utilice gasolina, disolvente ni otros productos parecidos, puesto que pueden producirse grietas o decoloraciones. (Fig. 6)

Para conservar la SEGURIDAD y la FIABILIDAD del producto, los trabajos de reparación y otros trabajos de mantenimiento y ajuste deberán ser realizados en centros de servicio autorizados de Makita, utilizando siempre repuestos Makita.

ACCESORIOS

PRECAUCIÓN:

- Se recomienda el uso de estos accesorios o complementos con la herramienta Makita especificada en este manual. El uso de otros accesorios o complementos puede conllevar el riesgo de ocasionar daños corporales. Utilice los accesorios o complementos solamente para su fin establecido.

Si necesita cualquier ayuda para obtener más información relativa a estos accesorios, pregunte al centro de servicio Makita local.

- Boquilla
- Bolsa colectora de polvo
- Boquilla para esquinas
- Tubo recto
- Manguera flexible
- Junta
- Diversos tipos de baterías y cargadores originales de Makita

Ruido

Niveles típicos de ruido ponderado A determinados conforme a EN60745:

ENG905-1

Modelo BUB142

Nivel de presión de sonido (L_{pA}): 86 dB (A)
Nivel de potencia de sonido (L_{WA}): 97 dB (A)
Incertidumbre (K): 3 dB (A)

Modelo BUB182

Nivel de presión de sonido (L_{pA}): 83 dB (A)
Nivel de potencia de sonido (L_{WA}): 94 dB (A)
Incertidumbre (K): 3 dB (A)

Utilice protección para los oídos.

Vibración ENG900-1

Valor total de la vibración (suma de vectores triaxiales)
determinado según el estándar EN60745:

Modo de trabajo: funcionamiento sin carga
Emisión de vibraciones (a_h): 2,5 m/s² o menos
Incertidumbre (K): 1,5 m/s²

ENG901-1

- El valor de emisión de vibraciones se ha medido de acuerdo con el método de prueba estándar y se puede utilizar para comparar herramientas.
- El valor de emisión de vibraciones declarado también se puede usar en una evaluación preliminar de la exposición.

ADVERTENCIA:

- La emisión de vibraciones durante el uso de la herramienta eléctrica puede diferir del valor de emisiones declarado, dependiendo de las formas en que se utiliza la herramienta.
- Asegúrese de identificar las mediciones correctas para proteger al operario, que se basan en una estimación de la exposición en condiciones de uso reales (teniendo en cuenta todas las partes del ciclo de operaciones, como los momentos en los que la herramienta está apagada y cuando funciona al ralentí además del tiempo en que está activado el interruptor).

Sólo para países europeos ENH101-14

Declaración de conformidad de la CE

Nosotros, Makita Corporation, en calidad de fabricante responsable, declaramos que las siguientes máquinas Makita:

Designación de la máquina:

Soplador sin cable

Nº de modelo/ Tipo: BUB142, BUB182

son de producción serie y

Cumplen con las siguientes Directivas europeas:

2006/42/CE

Y se han fabricado de acuerdo con los siguientes estándares o documentos estandarizados:

EN60745

La documentación técnica la conserva nuestro representante autorizado en Europa, que es:

Makita International Europe Ltd.

Michigan Drive, Tongwell,

Milton Keynes, MK15 8JD, Inglaterra

30. 1. 2009



Tomoyasu Kato

Director

Makita Corporation

3-11-8, Sumiyoshi-cho,

Anjo, Aichi, JAPAN

PORTUGUÊS (Instruções de origem)

Descrição geral

- | | | |
|------------------|-----------------------------|--------------------------|
| 1. Peça vermelha | 5. Selector do volume do ar | 9. Saco de pó |
| 2. Botão | 6. Gatilho | 10. Entrada de aspiração |
| 3. Bateria | 7. Bocal | 11. Fixador |
| 4. Setas | 8. Saída do soprador | |

ESPECIFICAÇÕES

Modelo		BUB142	BUB182
Capacidades	Pressão do ar (coluna de água)	0 - 550 mm	
	Volume do ar	0 - 2,6 m ³ /min	
Sem velocidade de rotação em carga (mín. ⁻¹)		0 - 18.000	
Comprimento total		509 mm	
Peso líquido		1,6 kg	1,7 kg
Voltagem nominal		CC 14,4 V	CC 18 V

- Devido à pesquisa e desenvolvimento constantes, estas especificações estão sujeitas a alteração sem aviso prévio.
- As especificações e o cartucho da bateria podem ser diferentes consoante o país.
- Peso, com a bateria, de acordo com o procedimento EPTA de 01/2003.

Símbolos

END004-4

Descrição dos símbolos utilizados no equipamento. Certifique-se de que compreende o seu significado, antes da utilização.



..... Leia o manual de instruções.



..... Apenas para países da UE
Não deite equipamentos eléctricos ou a bateria no lixo doméstico!
De acordo com a directiva europeia 2002/96/EC sobre ferramentas eléctricas e electrónicas usadas, a directiva 2006/66/EC sobre baterias, acumuladores e baterias usadas e a sua aplicação para as leis nacionais, as ferramentas eléctricas e as baterias usadas devem ser recolhidas em separado e encaminhadas a uma instalação de reciclagem dos materiais ecológicos.

Utilização prevista

BNE018-1

A ferramenta destina-se a soprar pó.

Avisos gerais de segurança para ferramentas eléctricas

GEA006-2

⚠ AVISO Leia todos os avisos de segurança e todas as instruções. O não cumprimento dos avisos e instruções pode resultar na ocorrência de choques eléctricos, incêndios e/ou ferimentos graves.

Guarde todos os avisos e instruções para referência futura.

O termo "ferramenta eléctrica" nos avisos refere-se à ferramenta de ligação à rede eléctrica (com fio) ou à ferramenta de bateria (sem fio).

Segurança na área de trabalho

1. **Mantenha a área de trabalho limpa e bem iluminada.** As áreas desorganizadas ou escuras convidam os acidentes.
2. **Não utilize ferramentas eléctricas em atmosferas explosivas, tais como na presença de líquidos inflamáveis, gases ou pó.** As ferramentas eléctricas criam faíscas que poderão pegar fogo ao pó ou gases.
3. **Mantenha afastadas as crianças e pessoas enquanto utilizar uma ferramenta eléctrica.** As distrações podem fazer com que perca o controlo.

Segurança eléctrica

4. **As fichas da ferramenta eléctrica devem corresponder à tomada. Nunca modifique a ficha. Não utilize fichas adaptadoras com ferramentas de ligação à terra (massa).** A utilização de fichas não modificadas e tomadas compatíveis reduzirá o risco de choques eléctricos.
5. **Evite contacto corporal com superfícies ligadas à terra, tais como tubos, radiadores, aquecedores e frigoríficos.** Existe um risco acrescido de choques eléctricos caso o seu corpo esteja ligado à terra.
6. **Não exponha ferramentas eléctricas à chuva ou humidade.** A entrada de água numa ferramenta eléctrica aumentará o risco de choques eléctricos.
7. **Não abuse do cabo de alimentação. Nunca utilize o cabo para transportar, puxar ou desligar a ferramenta eléctrica. Mantenha o cabo afastado do calor, óleo, margens afiadas ou peças móveis.** Os cabos emaranhados ou danificados aumentam o risco de choques eléctricos.
8. **Quando utilizar uma ferramenta eléctrica no exterior, utilize uma extensão adequada para**

utilização no exterior. A utilização de um cabo adequado para o exterior reduz o risco de choques eléctricos.

9. **Se não for possível evitar a utilização da ferramenta eléctrica num local com humidade, utilize uma fonte de alimentação protegida com um corta-circuito em caso de falha na terra (GFCI).** A utilização de um GFCI reduz o risco de choques eléctricos.

Segurança pessoal

10. **Mantenha-se alerta, esteja atento ao que está a fazer e utilize o senso comum quando utilizar uma ferramenta eléctrica. Não utilize uma ferramenta eléctrica quando estiver cansado ou sob a influência de drogas, álcool ou medicamentos.** Um momento de desatenção enquanto utilizar ferramentas eléctricas poderá resultar em ferimentos pessoais graves.
11. **Utilize equipamento de protecção pessoal. Use sempre protecção para os olhos.** A utilização de equipamento de protecção, tais como máscaras contra o pó, sapatos anti-derrapantes, capacete ou protecções para os ouvidos em situações adequadas reduz o perigo de ferimentos.
12. **Evite o funcionamento imprevisto. Certifique-se de que o interruptor se encontra na posição de desligado antes de ligar a ferramenta à fonte de alimentação e/ou à bateria, assim como antes de pegar ou transportar a mesma.** O transporte de ferramentas eléctricas com o dedo no interruptor ou a ligação à corrente de ferramentas com o interruptor na posição de ligado pode resultar em acidentes.
13. **Retire qualquer chave de ajuste antes de ligar a ferramenta eléctrica.** Uma chave que fique ligada a uma peça rotativa da ferramenta eléctrica poderá resultar em ferimentos pessoais.
14. **Não coloque os dedos no interior. Mantenha-se sempre bem equilibrado e apoiado.** Isto permite um melhor controlo da ferramenta em situações inesperadas.
15. **Vista-se de forma adequada. Não use roupas largas ou jóias. Mantenha o cabelo, roupas e luvas afastados de peças móveis.** As roupas soltas, jóias ou cabelo comprido podem fixar presos nas peças móveis.
16. **Caso existam dispositivos para a ligação de equipamento de extracção e recolha do pó, certifique-se de que estes são ligados e utilizados correctamente.** A utilização de dispositivos de recolha de pó pode reduzir os perigos relacionados com pó.

Utilização e manutenção da ferramenta eléctrica

17. **Não force a ferramenta eléctrica. Utilize a ferramenta eléctrica adequada para a respectiva aplicação.** A ferramenta eléctrica correcta fará o trabalho de forma melhor e mais segura e à velocidade para a qual foi concebida.
18. **Não utilize a ferramenta eléctrica se o interruptor não se ligar e desligar.** Qualquer ferramenta

eléctrica que não possa ser controlada com o interruptor é perigosa e deve ser reparada.

19. **Desligue a ficha da fonte de alimentação e/ou conjunto da bateria da ferramenta eléctrica antes de efectuar quaisquer ajustes, mudar acessórios ou guardar ferramentas eléctricas.** Tais medidas de segurança preventivas reduzem o risco de iniciar acidentalmente a ferramenta eléctrica.
20. **Guarde as ferramentas eléctricas paradas fora do alcance das crianças e não permita que pessoas não familiarizadas com a ferramenta eléctrica ou estas instruções utilizem a ferramenta eléctrica.** As ferramentas eléctricas são perigosas nas mãos de utilizadores sem formação técnica.
21. **Manutenção das ferramentas eléctricas. Verifique o desalinhamento ou empeno de peças móveis, quebra de peças e qualquer outra condição que possa afectar o funcionamento da ferramenta eléctrica. Se danificada, mande reparar a ferramenta eléctrica antes de utilizar.** Muitos acidentes são causados por ferramentas eléctricas sem a manutenção adequada.
22. **Mantenha as ferramentas de corte afiadas e limpas.** As ferramentas de corte com uma manutenção correcta e margens de corte correctas empenarão com menos facilidade e são mais fáceis de controlar.
23. **Utilize a ferramenta eléctrica, acessórios e pontas da ferramenta, etc., em conformidade com estas instruções tendo em consideração as condições de trabalho e o trabalho a ser efectuado.** A utilização da ferramenta eléctrica para operações diferentes das previstas poderia resultar numa situação perigosa.

Utilização e manutenção da ferramenta com bateria

24. **Recarregue apenas com o carregador especificado pelo fabricante.** Um carregador adequado para um tipo de bateria pode criar um risco de incêndio quando utilizado com outra bateria.
25. **Utilize ferramentas eléctricas apenas com baterias especificamente concebidas.** A utilização de qualquer outra bateria pode criar um risco de ferimentos e incêndios.
26. **Quando a bateria não estiver a ser utilizada, mantenha-a afastada de objectos metálicos como, por exemplo, cliques, moedas, chaves, pregos, parafusos ou outros pequenos objectos metálicos que possam fazer a ligação entre terminais.** Provocar um curto-circuito nos terminais da bateria pode causar queimaduras ou um incêndio.
27. **Sob condições abusivas, poderá ser ejectado líquido da bateria; evite o contacto. Se ocorrer acidentalmente um contacto, lave com água. Se o líquido entrar em contacto com os olhos, consulte um médico.** O líquido ejectado da bateria pode causar irritação ou queimaduras.

Assistência

28. **Mande reparar a sua ferramenta eléctrica por um técnico qualificado e utilizando apenas peças de**

substituição idênticas. Isto garantirá que a segurança da ferramenta eléctrica é mantida.

29. Siga as instruções para lubrificar e mudar acessórios.
30. Mantenha as pegas secas, limpas e sem óleo ou gordura.

AVISOS DE SEGURANÇA PARA O SOPRADOR SEM FIOS

GENB076-1

1. Use sempre óculos de protecção, um boné e uma máscara quando utilizar o soprador.
2. Nunca aponte a pessoas nas proximidades o soprador em funcionamento.
3. Use sempre o saco do pó quando aspirar pó, aparas e semelhantes.
4. Não aspire cinzas de cigarro incandescentes, aparas de metal recentemente cortadas, parafusos, pregos e semelhantes. Aviso - Podem ocorrer choques eléctricos se utilizado em superfícies molhadas. Não exponha a extensão à chuva. Guarde-a no interior.
5. Nunca bloqueie a entrada de aspiração e/ou a saída do soprador. Um maior número de rotações do motor pode fazer com que a ventoinha quebre, o que é perigoso.
6. O soprador não deve ser utilizado por crianças ou pessoas doentes sem supervisão.
7. As crianças devem ser supervisionadas de modo a assegurar que não brincam com o soprador.

GUARDE ESTAS INSTRUÇÕES.

AVISO:

NÃO deixe que o conforto ou a familiaridade com o produto (adquirida de uma utilização frequente) substitua o respeito total pelas regras de segurança para utilização do produto. A UTILIZAÇÃO INCORRECTA ou o não cumprimento das regras de segurança fornecidas neste manual de instruções podem provocar ferimentos graves.

INSTRUÇÕES DE SEGURANÇA IMPORTANTES

ENCC007-5

RELATIVAS À BATERIA

1. Antes de utilizar a bateria, leia as instruções e chamadas de atenção de: (1) o carregador da bateria, (2) a bateria e (3) o produto que utiliza a bateria.
2. Não desmonte a bateria.
3. Se o tempo de utilização com a bateria se tornar demasiado curto, deve parar imediatamente. Se continuar, pode causar sobreaquecimento, incêndio e mesmo explosão.
4. Se o electrólito entrar em contacto com os olhos, enxágue-os com água limpa e consulte imediatamente um médico. Os riscos incluem perda de visão.
5. Não provoque um curto-circuito na bateria:

- (1) Não deixe que quaisquer materiais condutores entrem em contacto com os terminais da bateria.
 - (2) Evite guardar a bateria juntamente com outros objectos de metal como moedas, por exemplo.
 - (3) Não exponha a bateria a água ou chuva. Um curto-circuito na bateria pode criar uma grande carga eléctrica, sobreaquecimento, incêndio e um corte de corrente.
6. Não guarde a ferramenta e a bateria em locais onde a temperatura possa atingir ou exceder 50°C.
 7. Não incinere a bateria, nem mesmo se esta estiver irremediavelmente danificada ou completamente gasta. Pode explodir e causar um incêndio.
 8. Não a deixe cair e evite o choque com outros objectos.
 9. Não utilize uma bateria danificada.

GUARDE ESTAS INSTRUÇÕES.

Sugestões para o máximo de tempo de vida da bateria

1. Não espere que a bateria se gaste completamente para voltar a carregá-la. Pare a ferramenta e carregue a bateria sempre que detectar um baixo nível de energia.
2. Nunca volte a carregar uma bateria já completamente carregada. O carregamento excessivo diminui o tempo de vida das baterias.
3. Carregue a bateria em locais onde a temperatura se situe entre 10°C e 40°C (50°F - 104°F). Se a bateria estiver quente, deixe-a arrefecer antes de iniciar o carregamento.

DESCRIÇÃO DO FUNCIONAMENTO

PRECAUÇÃO:

- Certifique-se sempre de que a ferramenta está desligada e a bateria foi removida antes de proceder a ajustamentos ou testar acessórios.

Inserir ou retirar a bateria (Fig. 1)

- Sempre que for inserir ou remover a bateria, desligue a ferramenta.
- Para retirar a bateria, puxe-a para fora ao mesmo tempo que prime os botões em ambos os lados do cartucho.
- Para inserir a bateria alinhe-a com a calha recolhida e encaixe-a suavemente. Insira-a completamente até sentir um clique de encaixe. Caso contrário, pode cair da ferramenta e causar ferimentos em si, ou em alguém que esteja perto de si.
- Não exerça força ao inserir a bateria. Se não encaixar facilmente é porque não está correctamente posicionada.

Acção do interruptor

PRECAUÇÃO:

- Antes de inserir a pilha na ferramenta, verifique se o gatilho está a funcionar correctamente e se regressa à posição "OFF" quando o solta.

Para colocar a ferramenta em funcionamento prima o gatilho. A velocidade da ferramenta aumenta com a pressão exercida no gatilho. Para parar a ferramenta, solte o gatilho. (Fig. 2)

Selector do volume do ar

O volume do ar pode ser ajustado para três definições, rodando o selector com o gatilho totalmente premido. Consulte a tabela abaixo para conhecer a relação entre o número no selector e o volume de ar.

Número no selector	Volume do ar
3	Alta
2	Médio
1	Baixo

PRECAUÇÃO:

- Apenas utilize o selector após o gatilho regressar à posição "OFF". Rodar o selector antes do gatilho regressar pode danificar a ferramenta.
- Se mantiver a ferramenta a funcionar ininterruptamente até a bateria se gastar completamente, deixe-a em repouso durante, pelo menos, 15 minutos antes de substituir a bateria.

MONTAGEM

Sopragem

Para soprar pó, coloque o bocal à saída do soprador, rodando para a direita para bloquear. (Fig. 3)

Aspiração de pó (Fig. 4)

Para aspirar pó, coloque o bocal na entrada de aspiração e o saco do pó na saída do soprador.

Quando o saco encher com pó, esvazie os respectivos conteúdos num caixote do lixo, soltando o fixador. (Fig. 5)

PRECAUÇÃO:

- Esvazie o saco do pó antes que fique cheio, caso contrário a força de aspiração diminuirá.

MANUTENÇÃO

PRECAUÇÃO:

- Certifique-se sempre de que a ferramenta está desligada e a bateria removida antes de efectuar operações de inspecção ou de manutenção.
- Nunca utilize gasolina, benzina, diluente, álcool ou semelhante. Podem formar-se descolorações, deformações ou fissuras.

Limpeza

Ocasionalmente, limpe a parte exterior da ferramenta utilizando um pano humedecido em água com sabão. Nunca utilize gasolina, diluente ou semelhantes, caso contrário, podem ocorrer perdas de cor e/ou fissuras. (Fig. 6)

Para manter os níveis de SEGURANÇA e FIABILIDADE definidos para este produto, reparações, operações de manutenção ou ajustes devem ser executados por centros de assistência Makita autorizados e, no caso de substituição de peças, estas devem ser igualmente Makita.

ACESSÓRIOS

PRECAUÇÃO:

- Os seguintes acessórios ou extensões são os recomendados para utilizar com a ferramenta Makita especificada neste manual. A utilização de outros acessórios ou extensões podem provocar ferimentos. Utilize cada acessório ou extensão apenas para o fim indicado.

Se precisar de informações adicionais relativas aos acessórios, contacte o centro local de assistência Makita.

- Bocal
- Saco de pó
- Bocal para cantos
- Tubo recto
- Tubo flexível
- União
- Vários tipos de baterias e carregadores Makita genuínos

Ruído

ENG905-1

Os níveis acústicos ponderados A típicos foram determinados segundo a EN60745:

Modelo BUB142

Nível de pressão sonora (L_{pA}): 86 dB (A)
Nível de potência sonora (L_{WA}): 97 dB (A)
Incerteza (K): 3 dB (A)

Modelo BUB182

Nível de pressão sonora (L_{pA}): 83 dB (A)
Nível de potência sonora (L_{WA}): 94 dB (A)
Incerteza (K): 3 dB (A)

Use protecção para os ouvidos.

Vibração

ENG900-1

O valor total da vibração (soma triaxial de vectores) foi determinado segundo a EN60745:

Modo de trabalho: Funcionamento sem carga
Emissão de vibração (a_h): 2,5 m/s² ou menos
Incerteza (K): 1,5 m/s²

ENG901-1

- O valor da emissão de vibração declarado foi medido de acordo com o método de teste padrão e pode ser utilizado para comparar uma ferramenta com outra.
- O valor da emissão de vibração declarado pode também ser utilizado numa avaliação preliminar de exposição.

⚠ AVISO:

- A emissão de vibração durante a utilização real da ferramenta eléctrica pode ser diferente do valor de emissão declarado, dependendo da forma como a ferramenta é utilizada.
- Certifique-se de que identifica medidas de segurança, para proteger o operador, que são baseadas numa estimativa de exposição nas condições reais de utilização (tendo em conta todas as partes do ciclo de

funcionamento, como as vezes que a ferramenta é desligada e quando está a trabalhar ao ralenti, além do tempo de utilização).

Apenas para os países europeus ENH101-14
Declaração de conformidade CE
A Makita Corporation, na qualidade do fabricante responsável, declara que a(s) máquina(s) Makita seguinte(s):

Designação da máquina:

Soprador sem fios

N. ° de modelo/Tipo: BUB142, BUB182

são produzidas em série e

estão em conformidade com as Directivas Europeias seguintes:

2006/42/EC

E são fabricadas de acordo com as normas ou os documentos padronizados seguintes:

EN60745

A documentação técnica é mantida pelo nosso representante autorizado na Europa, que é:

Makita International Europe Ltd.

Michigan Drive, Tongwell,

Milton Keynes, MK15 8JD, Inglaterra

30. 1. 2009



Tomoyasu Kato
Director

Makita Corporation
3-11-8, Sumiyoshi-cho,
Anjo, Aichi, JAPAN

DANSK (Originalvejledning)

- | | | |
|-----------------|-------------------------------|--------------------|
| 1. Rød del | 5. Drejeknap til justering af | 8. Blæserudmunding |
| 2. Knap | luftmængde | 9. Støvpose |
| 3. Batteripakke | 6. Kontaktgreb | 10. Sugeindgang |
| 4. Markører | 7. Mundstykke | 11. Lukkemekanisme |

Forklaring til generel oversigt

SPECIFIKATIONER

Model		BUB142	BUB182
Kapaciteter	Luftryk (vandsøjle)	0 - 550 mm	
	Luftmængde	0 - 2,6 m ³ /min	
Hastighed uden belastning (min ⁻¹)		0 - 18.000	
Længde i alt		509 mm	
Nettovægt		1,6 kg	1,7 kg
Nominel spænding		14,4 V DC	18 V DC

- På grund af vores løbende forsknings- og udviklingsprogram kan specifikationerne heri ændres uden forudgående varsel.
- Specifikationerne og batteripakken kan variere fra land til land.
- Vægt, inklusive batteripakken, i henhold til EPTA-Procedure 01/2003

Symboler

END004-4

Her vises de symboler, der benyttes til udstyret.

Vær sikker på, at De forstår deres betydning, før De bruger el-værktøjet.



..... Læs brugsanvisningen.



..... Kun for EU-lande

Elektrisk udstyr eller batteripakke må ikke bortskaffes sammen med almindeligt affald!

I henhold til det europæiske direktiv 2002/96/EF om bortskaffelse af elektriske og elektroniske produkter, 2006/66/EF om batterier og akkumulatører og bortskaffelse af batterier og akkumulatører og deres implementering under gældende national lovgivning skal brugt elektrisk udstyr og batteripakker, der har udtjent deres levetid, indsamles separat og returneres til miljøgodkendt genindvinding.

Tilsigtet brug

BNE018-1

Værktøjet er beregnet til blæsning af støv.

Generelle sikkerhedsadvarsler for el-værktøj

GEA006-2

⚠ ADVARSEL Læs alle sikkerhedsadvarslerne og alle instruktionerne. Det kan medføre elektrisk stød, brand og/eller alvorlig personskade, hvis De ikke overholder advarslerne og følger instruktionerne.

Gem alle advarsler og instruktioner så De har dem til fremtidig brug.

Ordet "el-værktøj" i advarslerne henviser til et el-værktøj, der er sluttet til en stikkontakt (med ledning) eller et batteridrevet el-værktøj (uden ledning).

Sikkerhedsregler for arbejdsområdet

1. **Hold arbejdsområdet rent og ordentligt belyst.**
Rodede eller mørke arbejdsområder medfører uheld.
2. **Betjen ikke el-værktøj i eksplosive atmosfærer, for eksempel ved tilstedeværelse af brændbare væsker, gasser eller støv.** El-værktøjer fremkalder gnister, der kan ændre støv eller dampe.
3. **Hold børn og andre i nærheden på afstand under betjeningen af et el-værktøj.** Distractioner kan medføre, at De mister kontrollen med el-værktøjet.

EI-sikkerhedsregler

4. **Stikkene på el-værktøjet skal svare til stikkontakten. De må aldrig ændre på stikket. Brug ikke stikadapters sammen med jordforbundne el-værktøjer.** Uændrede stik og tilsvarende stikkontakter mindsker risikoen for elektrisk stød.
5. **Undgå kropskontakt med jordforbundne overflader som rør, radiatorer, overflader og køleskabe.** Hvis kroppen er jordbundet, forøges risikoen for elektrisk stød.
6. **Udsæt ikke el-værktøjer for regn eller våde omgivelser.** Risikoen for elektrisk stød forøges, hvis der kommer vand i el-værktøjet.
7. **Belast ikke ledningen. Anvend aldrig ledningen til bære eller trække i el-værktøjet med, eller når De tager stikket ud af stikkontakten. Udsæt ikke ledningen for varme, olie, skarpe kanter eller bevægelige dele.** Beskadede eller sammenviklede ledninger øger risikoen for elektrisk stød.

8. **Brug en forlængerledning, der er beregnet til udendørs brug, når el-værktøjet anvendes udendørs.** Brug af en ledning, der er beregnet til udendørs brug, reducerer risikoen for elektrisk stød.
9. **Hvis De er nødt til at anvende et el-værktøj i fugtige omgivelser, skal De anvende en strømforsyning, der er beskyttet med en fejlstrømsafbryder (GFCI).** Brug af en GFCI reducerer risikoen for elektrisk stød.

Personlig sikkerhed

10. **Vær opmærksom, fokusér på det, De arbejder med, og brug Deres sunde fornuft ved betjening af el-værktøjet. Brug ikke et el-værktøj når De er træt eller indflydelse af narkotika, alkohol eller medicin.** Ved brug af el-værktøjer kan et enkelt øjeblik uopmærksomhed medføre alvorlig personskade.
11. **Benyt personligt sikkerhedsudstyr. Bær altid beskyttelsesbriller.** Sikkerhedsudstyr som f. eks. støvmaske, skridsikre sko, hjelm eller høreværn, der benyttes under de tilsvarende forhold, forebygger personskader.
12. **Forhind utilsigtet start. Sørg for, at kontakten er slået fra, inden De tilslutter værktøjet til en strømkilde og/eller et batteri, tager værktøjet op eller bærer rundt på det.** Det medfører uheld, hvis De bærer på el-værktøjer med fingeren på kontakten, eller tilslutter strøm til el-værktøjer, hvor kontakten er slået til.
13. **Fjern alle justeringsnøgler eller skruenøgler, før De tænder for el-værktøjet.** En skruenøgle eller nøgle, der sidder på en roterende værktøjsdel, kan forårsage personskade.
14. **Stræk Dem ikke for langt frem. Bevar fodfæstet og balancen til enhver tid.** Dette giver Dem bedre kontrol over el-værktøjet i uventede situationer.
15. **Bær korrekt påklædning. Bær ikke løst tøj eller smykker. Hold hår, tøj og handsker væk fra bevægelige dele.** Løst tøj, smykker eller langt hår kan sidde fast i bevægelige dele.
16. **Hvis der medfølger udstyr til filtrering og opsamling af støv, skal De sørge for, at udstyret er monteret, og at det anvendes korrekt.** Brug af støvopsamling kan reducere støvrelaterede risici.

Brug og behandling af el-værktøj

17. **Brug ikke magt på el-værktøjet. Brug det korrekte el-værktøj til formålet.** Det korrekte el-værktøj gør hurtigst og bedst det arbejde, som det er beregnet til.
18. **Brug ikke el-værktøjet, hvis der ikke kan tændes og slukkes på kontakten.** Et el-værktøj, der ikke kan styres med kontakten, er farligt og skal til reparation.
19. **Tag stikket ud af stikkontakten, og/eller tag batteriet ud af el-værktøjet, før De foretager ændringer, skifter tilbehør eller gemmer el-værktøjer af vejen.** Disse forebyggende foranstaltninger mindsker risikoen for, at el-værktøjet starter ved et uheld.
20. **Opbevar el-værktøjer, der ikke benyttes, utilgængeligt for børn, og lad ikke personer, som ikke er bekendt med el-værktøjer eller disse**

- instruktioner, bruge el-værktøjet. El-værktøjer er farlige i hænderne på uøvede brugere.
21. **Vedligehold el-værktøjer. Kontrollér for fejljustering eller binding i bevægelige dele, dele, som er i stykker, og alle forhold, som kan påvirke fugten af el-værktøjet. Få el-værktøjet repareret før brug, hvis det er i stykker.** Mange uheld skyldes dårlig vedligeholdelse af el-værktøjer.
 22. **Hold skæreværktøjer skarpe og rene.** Der er mindre sandsynlighed for, at korrekt vedligeholdt skæreværktøjer med skarpe skærende kanter binder, og de er lettere at kontrollere.
 23. **Brug el-værktøjet, tilbehøret og værktøjsdele osv. i overensstemmelse med disse instruktioner og tag højde for arbejdsbetingelserne og det arbejde, der skal udføres.** Brug af el-værktøjet til formål, det ikke er beregnet til, kan medføre farlige situationer.

Brug og behandling af batteridrevet værktøj

24. **Genoplad kun med den oplader der specificeret af producenten.** En oplader, der passer til én type batteripakke, kan medføre risiko for brand, hvis den anvendes med en anden batteripakke.
25. **Anvend kun el-værktøjer sammen med særligt designede batteripakker.** Brug af andre batteripakker kan muligvis medføre risiko for personskader og brand.
26. **Når batteripakken ikke er i brug, skal den holdes væk fra andre metalgenstande som f. eks. papirclips, mønter, søm, skruer eller andre små metalgenstande, som kan forbinde den ene terminal med den anden.** Kortslutning af batteriterminalerne kan medføre forbrændinger eller brand.
27. **Ved forkert behandling kan der sive væske ud fra batteriet; undgå kontakt. Hvis der opstår utilsigtet kontakt, skal De skylle med vand. Hvis De får væske i øjnene, skal De desuden søge lægehjælp.** Væske fra batteriet kan forårsage irritation eller forbrændinger.

Service

28. **Få udført service på el-værktøjet hos en autoriseret mekaniker, og brug kun tilsvarende reservedele.** Derved vedligeholdes el-værktøjets sikkerhed.
29. **Følg instruktionerne for smøring og udskiftning af tilbehør.**
30. **Hold håndtagene tørre, rene og fri for olie og fedtstoffer.**

SIKKERHEDSADVARSLER FOR BATTERIDREJET BLÆSER GEB076-1

1. **Anvend altid beskyttelsesbriller, en kasket og maske når De anvender blæseren.**
2. **De må aldrig vende mundstykket mod andre mennesker i nærheden, når De anvender blæseren.**
3. **Anvend altid støvposen når De opsamlar støv, spåner og lignende.**

- De skal ikke opsamle cigaretaske, der stadig ulmer, nyskårne metallsåner, skruer, søm og lignende. Advarsel - Der kan opstå elektrisk stød ved anvendelse på våde overflader. Udsæt den ikke for regn. Opbevar inden døre.
- De må aldrig blokere sugeindgangen og/eller blæserudmundingen. Forøget motoromdrejning kan give risiko for farligt ventilatorbrud.
- Blæseren er ikke beregnet til brug af mindre børn eller svagelige personer uden opsyn.
- Mindre børn bør være under opsyn, sådan at de ikke leger med blæseren.

GEM DISSE INSTRUKTIONER.

⚠ ADVARSEL:

LAD IKKE tryghed eller kendskab til produktet (fra gentagen brug) føre til, at De ikke strengt overholder sikkerhedsreglerne for det gældende produkt.

MISBRUG eller manglende overholdelse af sikkerhedsreglerne i denne brugsanvisning kan medføre alvorlig personskade.

VIGTIGE SIKKERHEDSINSTRUKTIONER

ENC007-5

FOR BATTERIPAKKEN

- Før brugen af batteripakken skal du læse alle instruktioner og advarsler på (1) batteriopladeren, (2) batteriet og (3) det produkt, som batteriet anvendes i.
- Skil ikke batteripakken ad.
- Hvis driftstiden bliver betydeligt kortere, skal du straks ophøre med brugen. Brug kan medføre risiko for overophedning, risiko for forbrændinger eller endog eksplosion.
- Hvis du får elektrolyt i øjnene, skal du med det samme rense øjnene med rent vand og søge læge. Dette kan medføre tab af synet.
- Kortslut ikke batteripakken:
 - Undgå at røre ved terminalerne med ledende materiale.
 - Undgå at opbevare batteripakken i en beholder med andre metalgenstande som f.eks. søm, mønter osv.
 - Udsæt ikke batteripakken for vand eller regn. Hvis batteriet kortsluttes, kan det medføre voldsom strøm, overophedning, mulige forbrændinger og endog nedbrud.
- Undgå at opbevare værktøjet og batteripakken på steder, hvor temperaturen kan komme op på eller overstige 50°C.
- Sæt ikke ild til batteripakken, selvom den er alvorligt beskadiget eller helt udjent. Batteripakken kan eksplodere ved brand.
- Undgå at tabe eller slå på batteriet.
- Undlad brug af et beskadiget batteri.

GEM DISSE INSTRUKTIONER.

Tips til, hvordan du forlænger batteriets levetid

- Oplad batteripakken, før den bliver helt afladet. Ophør med at bruge maskinen, og udskift batteripakken, hvis strømmen til maskinen aftager.
- Oplad aldrig en fuldt opladet batteripakke. Overopladning forkorter batteriets levetid.
- Oplad batteripakken ved stuetemperatur på 10°C - 40°C.
Lad batteripakken køle ned før den oplades, hvis den er varm.

FUNKTIONSBESKRIVELSE

FORSIGTIG:

- Sørg altid for, at værktøjet er slukket, og at batteripakken er taget ud, før De justerer værktøjet eller kontrollerer dets funktion.

Montering eller afmontering af batteripakken (Fig. 1)

- Sluk altid for værktøjet, før De monterer eller afmonterer batteripakken.
- Ved afmontering af batteripakken trækkes den ud af værktøjet, mens der trykkes på knapperne på begge sider af pakken.
- Ved montering af batteripakken justeres tungen på batteripakken med rillen i huset, hvorefter pakken skubbes på plads. Sæt den altid hele vejen ind, indtil den låses på plads med et lille klik. Ellers kan den falde ud af værktøjet og skade Dem eller andre personer i nærheden.
- Brug ikke magt ved montering af batteripakken. Hvis den ikke glider let ind, er den ikke indsat korrekt.

Betjening af kontakt

FORSIGTIG:

- Før batteripakken sættes i værktøjet, skal De altid kontrollere, at kontaktgrebet reagerer korrekt og vender tilbage i "OFF"-stillingen, når De slipper det.

For at starte værktøjet skal De blot trykke på kontaktgrebet. Værktøjets hastighed forøges ved at trykke hårdere på kontaktgrebet. Slip kontaktgrebet for at stoppe. (Fig. 2)

Drejeknap til justering af luftmængde

Luftmængden kan indstilles til én af tre indstillinger ved at dreje på drejeknappen, mens kontaktgrebet er trykket helt ind. Se i tabellen nedenfor angående forholdet mellem nummeret på drejeknappen og luftmængden.

Nummer på drejeknappen	Luftmængde
3	Høj
2	Medium
1	Lav

FORSIGTIG:

- Anvend kun drejeknappen når kontaktgrebet er tilbage på "OFF"-positionen. Drejer De på drejeknappen, inden kontaktgrebet er gået tilbage, kan De beskadige værktøjet.

- Hvis værktøjet betjenes konstant, indtil batteripakken er afladet, skal De lade værktøjet hvile i 15 minutter, før De fortsætter med et nyt batteri.

MONTERING

Blæsning

For at støvblæse skal De montere mundstykket til blæserudmundingen, og dreje den rundt med uret til den låses på plads. (Fig. 3)

Støvsugning (Fig. 4)

For at suge støv skal De fastgøre mundstykket til sugeindgangen og støvposen til blæserudmundingen. Når posen er fyldt op med støv, skal De tømme indholdet af støvposen ud i en skraldespand ved at løsne lukkemekanismen. (Fig. 5)

FORSIGTIG:

- Tøm støvposen inden den bliver alt for fuld, ellers svækkes sugekraften.

VEDLIGEHOLDELSE

FORSIGTIG:

- Sørg altid for, at værktøjet er slukket, og at batteripakken er taget ud, før De forsøger at udføre inspektion eller vedligeholdelse.
- Brug aldrig benzin, benzen, fortynder, alkohol eller lignende. Det kan muligvis medføre misfarvning, deformation eller revner.

Rengøring

Fra tid til anden skal De tørre ydersiden af værktøjet af med en klud, der er fugtet med sæbevand. Undlad at anvende benzin, fortynder eller lignende, ellers kan værktøjet misfarves, og/eller der kan opstå brud. (Fig. 6) For at holde produktet SIKKERT og PÅLIDELIGT skal reparationer samt al anden vedligeholdelse eller justering udføres af autoriserede Makita-servicecentre, og der skal altid benyttes Makita-reservedele.

TILBEHØR

FORSIGTIG:

- Dette tilbehør eller ekstraudstyr anbefales til brug med det Makita-værktøj, som er beskrevet i denne brugsanvisning. Brug af andet tilbehør eller ekstraudstyr kan forårsage personskade. Brug kun tilbehør eller ekstraudstyr til det formål, det er beregnet til.

Henvend Dem til Deres lokale Makita-servicecenter, hvis De har brug for hjælp eller yderligere oplysninger vedrørende tilbehøret.

- Mundstykke
- Støvpose
- Hjørnemundstykke
- Lige rør
- Bøjelig slange
- Samlestykke
- Forskellige typer af originale batterier og opladere fra Makita

Støj

Det typiske A-vægtede støjniveau bestemt i overensstemmelse med EN60745:

Model BUB142

Lydtryksniveau (L_{pA}): 86 dB (A)
Lydeffektniveau (L_{WA}): 97 dB (A)
Usikkerhed (K): 3 dB (A)

Model BUB182

Lydtryksniveau (L_{pA}): 83 dB (A)
Lydeffektniveau (L_{WA}): 94 dB (A)
Usikkerhed (K): 3 dB (A)

Bær høreværn.

Vibration

Den samlede vibrationsværdi (treaksiel vektorsum) bestemt i overensstemmelse med EN60745:

Arbejdstilstand: Arbejdstilstand: uden belastning
Vibrationsemission (a_{h1}): 2,5 m/s² eller mindre
Usikkerhed (K): 1,5 m/s²

- Den opgivne vibrationsemissionsværdi er målt i overensstemmelse med standardtestmetoden og kan bruges til at sammenligne et værktøj med et andet.
- Den opgivne vibrationsemissionsværdi kan muligvis også bruges til en indledende eksponeringsvurdering.

⚠ ADVARSEL:

- Vibrationsemissionen under den faktiske brug af el-værktøjet kan afvige fra den opgivne emissionsværdi afhængigt af den måde, el-værktøjet anvendes på.
- Sørg for at bestemme sikkerhedsforanstaltninger for beskyttelse af operatøren, som er baseret på en eksponeringsvurdering for brug under faktiske forhold (hvor alle anvendelsescyklussens dele inddrages, som f. eks. antal gange el-værktøjet slukkes, og når det kører i tomgang ud over trigger tiden).

Kun for europæiske lande

EF-overensstemmelseserklæring

Vi, Makita Corporation, erklærer som ansvarlig producent at følgende Makita-maskine(r):

Maskinens betegnelse:

Batteridrevet blæser

Modelnummer/ type: BUB142, BUB182

er en produktionsserie og

Overholder følgende europæiske direktiver:

2006/42/EF

Og er produceret i overensstemmelse med følgende standarder eller standardiserede dokumenter: EN60745

Den tekniske dokumentation findes hos vores autoriserede repræsentant i Europa:

Makita International Europe Ltd.
Michigan Drive, Tongwell,
Milton Keynes, MK15 8JD, England

30. 1. 2009



Tomoyasu Kato
Direktør

Makita Corporation
3-11-8, Sumiyoshi-cho,
Anjo, Aichi, JAPAN

SVENSKA (Originalanvisningar)

Förklaring till översiktstillbilderna

- | | | |
|-------------------|---------------------------------|---------------------|
| 1. Röd del | 5. Justeringsratt för luftvolym | 9. Dampåse |
| 2. Knapp | 6. Avtryckare | 10. Insug |
| 3. Batterikassett | 7. Munstycke | 11. Fästanelordning |
| 4. Pekare | 8. Utblås | |

SPECIFIKATIONER

Modell		BUB142	BUB182
Kapacitet	Luftryck (vattenpelare)	0 - 550 mm	
	Luftvolym	0 - 2,6 m ³ /min	
Obelastat varvtal (min ⁻¹)		0 - 18 000	
Längd		509 mm	
Vikt		1,6 kg	1,7 kg
Märkspänning		14,4 V likström	18 V likström

- På grund av vårt pågående program för forskning och utveckling kan dessa specifikationer ändras utan föregående meddelande.
- Specifikationer och batterikassett kan variera från land till land.
- Vikt med batterikassett i enlighet med EPTA-procedur 01/2003

Symboler

END004-4

Följande symboler används för utrustningen.

Se till att du förstår innebörden av dem innan du använder maskinen.



..... Läs bruksanvisningen.



..... Gäller endast EU-länder.

Elektrisk utrustning eller batteripaket får inte kastas i hushållssoporna! Enligt direktivet 2002/96/EG som avser äldre elektrisk och elektronisk utrustning och direktivet 2006/66/EG som avser batterier och ackumulatörer och förbrukade batterier och ackumulatörer samt dess tillämpning enligt nationell lagstiftning, ska uttjänt elektrisk utrustning och batteripaket sorteras separat och lämnas till miljövänlig återvinning.

Användningsområde

BNE018-1

Maskinen är avsedd för att blåsa bort damm.

Allmänna säkerhetsvarningar

GEA006-2

⚠ VARNING! Läs igenom alla säkerhetsvarningar och anvisningar. Underlåtenhet att följa varningar och anvisningar kan leda till elektrisk stöt, brand och/eller allvarliga personskador.

Spara alla varningar och anvisningar för framtida bruk.

Termen "maskin" som anges i varningarna hänvisar till din eldrivna maskin (sladdansluten) eller batteridrivna maskin (sladdlös).

Säkerhet vid arbetsplatsen

1. **Håll arbetsplatsen väl rengjord och väl upplyst.** Nedskräpade eller dåligt upplysta områden utgör en olycksrisk.
2. **Använd inte maskinen i explosiva områden, som till exempel i närheten av lättantändliga vätskor, gaser eller damm.** Maskinen skapar gnistor som kan antända dammet eller ångorna.
3. **Håll barn och åskådare på avstånd när du använder maskinen.** Okoncentration kan innebära att du förlorar kontrollen över maskinen.

Elsäkerhet

4. **Maskinens stickkontakt måste passa i uttaget. Modifiera inte kontakten på något sätt. Använd inte adapterkontakter tillsammans med jordade maskiner.** Omodifierade stickkontakter och passande uttag minskar risken för elektrisk stöt.
5. **Undvik kroppskontakt med jordade ytor som till exempel rör, element, spisar och kylskåp.** Det finns en ökad risk för elektriska stötar om din kropp är jordad.
6. **Utsätt inte maskinen för regn eller fukt.** Vatten inuti maskinen ökar risken för elektriska stötar.
7. **Tänk på att behandla sladden varsamt. Bär aldrig maskinen i sladden och dra aldrig i sladden när du ska dra ut stickkontakten ur el-uttaget. Akta sladden för stark värme, olja, vassa kanter eller rörliga delar.** Skadad eller intrasslad sladd ökar risken för elektriska stötar.
8. **När maskinen används utomhus bör en förlängningskabel för utomhusbruk användas.** Om en sladd för utomhusbruk används minskar risken för elektriska stötar.
9. **Om det är oundvikligt att använda maskinen på en fuktig plats ska en jordfelsbrytare (GFCI) användas.** Användningen av en jordfelsbrytare (GFCI) minskar risken för elektrisk stöt.

Personlig säkerhet

10. **Var vaksam, koncentrera dig på arbetet och använd maskinen förnuftigt. Använd inte maskinen när du är trött eller påverkad av droger, alkohol eller medicin.** Ett ögonblicks uppmärksamhet kan resultera i allvarliga personskador.
11. **Använd personlig skyddsutrustning. Bär alltid skyddsglasögon.** Att använda lämplig skyddsutrustning som till exempel dammask, halkfria skor, skyddshjälm eller hörselskydd minskar risken för personskador.
12. **Förhindra oavsiktlig start. Försäkra dig om att strömbrytaren står i avstängt läge innan du ansluter till elnätet och/eller batteriet, tar upp eller bär maskinen.** Att bära maskinen med fingrarna på avtryckaren eller förse maskinen med ström när avtryckaren är intryckt, inbjuder till olyckor.
13. **Ta bort eventuella justerings- eller skiftnycklar innan maskinen startas.** En justerings- eller skiftnyckel som är ansluten till en roterande del av maskinen kan förorsaka personskador.
14. **Sträck dig inte när du använder maskinen. Stå alltid stabilt och ha god balans.** På detta sätt har du bättre kontroll över maskinen i oväntade situationer.
15. **Klä dig rätt. Bär inte löst sittande kläder eller smycken. Se till att hår, kläder och handskar inte kommer för nära rörliga delar.** Löst sittande kläder, smycken eller långt hår kan fastna i de rörliga delarna.
16. **Om enheter för anslutning av dammsugning och renhållning finns, försäkra dig om att dessa ansluts och används på rätt sätt.** Användning av utrustning för dammuppsamling minskar dammrelaterade risker.

Användning och underhåll av maskinen

17. **Forcera inte maskinen. Använd rätt maskin för det aktuella arbetet.** Korrekt maskin gör jobbet bättre och säkrare för det ändamål den är avsedd för.
18. **Använd inte maskinen om den inte går att starta eller stänga av med avtryckaren.** Maskiner som inte går att manövrera via avtryckaren är riskfyllda att använda och måste repareras.
19. **Dra ut stickkontakten ur el-uttaget och/eller ta ut batteriet ur maskinen innan du gör justeringar på maskinen, byter tillbehör eller förvarar maskinen.** Sådana förebyggande säkerhetsåtgärder minskar risken för att maskinen startas oavsiktligt.
20. **Förvara maskinen utom räckhåll för barn och låt inte personer utan erfarenhet av maskinen eller som inte har tillgodogjort sig informationen i denna bruksanvisning använda den.** Maskinen är farlig i händerna på en ovan användare.
21. **Maskinunderhåll. Kontrollera om det finns misspassningar, skador eller annat som kan påverka maskinens drift. Kontrollera också att alla rörliga delar kan röra sig fritt. Om maskinen är trasig måste den repareras innan den används igen.** Många olyckor sker på grund av eftersatt maskinunderhåll.

22. **Håll skärverktygen vassa och rena.** Det är mindre troligt att vålskötta skärverktyg med vassa skårytor fastnar i arbetsmaterialet och den blir lättare att manövrera.
23. **Använd maskinen, tillbehör och verktygsbits etc. i enlighet med denna bruksanvisning, med hänsyn till arbetsförhållanden och det arbete som ska utföras.** Maskinen ska inte användas för annat än det den är avsedd för eftersom riskfyllda situationer då kan uppstå.

Användning och underhåll av batteridrivna maskin

24. **Ladda endast med den batteriladdare som angetts av tillverkaren.** En laddare som passar en viss typ av batterier kan skapa risk för brand när den används tillsammans med annat batteri.
25. **Använd endast maskiner tillsammans med tillhörande batterier.** Om andra batterier används kan risken för personskada och brand öka.
26. **När batteriet inte används bör det hållas borta från andra metallföremål som till exempel gem, mynt, nycklar, spik, skruv eller andra små metallföremål som kan skapa anslutning från en terminal till en annan.** Kortslutning av batteripoolerna kan orsaka brännskador eller brand.
27. **Under hårda förhållande kan det komma vatten ur batteriet. Undvik kontakt. Spola med vatten om kontakt ändå råkar uppstå. Om vätskan kommer i kontakt med ögonen bör läkare uppsökas.** Vätska från batteriet kan orsaka irritation på huden eller ge brännskador.

Service

28. **Låt en auktoriserad verkstad utföra service på din maskin och använd endast identiska reservdelar.** Detta garanterar maskinens säkerhet.
29. **Följ anvisningarna för smörjning och byte av tillbehör.**
30. **Håll handtagen torra, rena och fria från olja och smuts.**

SÄKERHETSVARNINGAR FÖR BATTERIDRIVEN LÖVBLÅS GEB076-1

1. **Använd alltid skyddsglasögon, huvudbonad och skyddsmask när du använder lövblåsen.**
2. **Rikta aldrig munstycket mot någon i närheten när lövblåsen används.**
3. **Använd alltid uppsamlingspåsen vid uppsamling av damm, spån och dylikt.**
4. **Samla inte upp glödande cigarettaska, nyligen skurna metallspån, skruvar, spikar eller liknande. Varning - Elektrisk stöt kan inträffa vid användning på våta underlag. Stått inte maskinen för regn** Förvara den inomhus.
5. **Blockera aldrig insuget och/eller utblåset. Ökat motorvarvtal kan orsaka allvarlig fläktskada.**
6. **Lövblåsen är inte avsedd för att användas av små barn eller svaga personer.**
7. **Små barn bör övervakas så att de inte leker med lövblåsen.**

SPARA DESSA ANVISNINGAR.

⚠ VARNING!

LÄT INTE bekvämlighet eller produktvana (pga upprepad användning) ersätta noggrann efterlevnad av produktens säkerhetsregler. **OVARSAM** hantering eller underlåtenhet att följa säkerhetsanvisningarna i denna bruksanvisning kan leda till allvarliga personskador.

VIKTIGA SÄKERHETSANVISNINGAR ENC007-5

FÖR BATTERIKASSETTEN

1. Innan batterikassetten används ska alla instruktioner och varningsmärken på (1) batteriladdaren, (2) batteriet och (3) produkten läsas.
2. Montera inte isär batterikassetten.
3. Om drifttiden blivit avsevärt kortare ska användningen avbrytas omedelbart. Det kan uppstå överhettning, brännskador och t o m en explosion.
4. Om du får elektrolyt i ögonen ska du skölja ögonen med rent vatten och omedelbart söka läkarvård. Det finns risk för att förlora synen.
5. Kortslut inte batterikassetten:
 - (1) Rör inte vid polerna med något strömförande material.
 - (2) Undvik att förvara batterikassetten i en behållare tillsammans med andra metallobjekt som t ex spik, mynt etc.
 - (3) Utsätt inte batterikassetten för vatten eller regn.
Ett kortslutet batteri kan orsaka ett stort strömflöde, överhettning, risk för brännskador och maskinen kan till och med gå sönder.
6. Förvara inte maskinen och batterikassetten på platser där temperaturen kan nå eller överstiga 50°C (122°F).
7. Bränn inte upp batterikassetten även om den är svårt skadad eller helt utsliten. Batterikassetten kan explodera i öppen eld.
8. Var försiktig så att du inte råkar tappa batteriet och utsätt det inte för stötar.
9. Använd inte ett skadat batteri.

SPARA DESSA ANVISNINGAR.

Tips för att bevara batteriets maximala livslängd

1. Ladda batterikassetten innan den är helt urladdad. Sluta att använda maskinen och ladda batterikassetten när du märker att kraften avtar.
2. Ladda aldrig en fulladdad batterikasset. Överladdning förkortar batteriets livslängd.
3. Ladda batterikassetten vid en rumstemperatur på 10°C - 40°C (50°F - 104°F). Låt en varm batterikasset svalna innan den laddas.

FUNKTIONS BESKRIVNING

VARNING!

- Se alltid till att maskinen är avstängd och att batterikassetten är borttagen innan du justerar eller kontrollerar maskinens funktioner.

Montera eller demontera batterikassetten (Fig. 1)

- Stäng alltid av maskinen innan du sätter i eller tar ut batterikassetten.
- För att ta loss batterikassetten drar du av den från maskinen samtidigt som du trycker in knapparna på båda sidor av kassetten.
- Du sätter fast batterikassetten genom att rikta in tungan mot spåret i höljet och skjuter in den på plats. Tryck alltid in kassetten ordentligt tills den låser fast med ett klick. I annat fall kan batterikassetten lossna oväntat från maskinen och skada dig eller någon annan.
- Ta inte i för hårt när du sätter fast batterikassetten. Om kassetten inte lätt glider på plats sitter den fel.

Strömbrytarens funktion

VARNING!

- Innan du sätter in batterikassetten i maskinen ska du alltid kontrollera att avtryckaren fungerar och återgår till läget "OFF" när du släpper den.

Tryck in avtryckaren för att starta maskinen. Hastigheten ökas genom att du trycker hårdare på avtryckaren. Släpp avtryckaren för att stoppa den. (Fig. 2)

Justeringsratt för luftvolym

Luftvolymen kan justeras till någon av de tre inställningarna genom att vrida justeringsratten när avtryckaren är helt intryckt. Se tabellen nedan för förhållandet mellan sifferinställningen på justeringsratten och luftvolymen.

Siffror på justeringsratten	Luftvolym
3	Hög
2	Medel
1	Låg

VARNING!

- Använd endast justeringsratten efter det att avtryckaren har gått tillbaka till läget "OFF". Att vrida justeringsratten innan avtryckaren har gått tillbaka kan skada maskinen.
- Om maskinen används kontinuerligt under ett arbetspass tills batteriet är tomt, bör maskinen vila 15 minuter innan arbetet fortsätter med ett laddat batteri.

MONTERING

Blåsning

För dammblåsning ansluts munstycket till blåsuttaget, vrid därefter munstycket medurs för att låsa det på plats.

(Fig. 3)

Dammuppsugning (Fig. 4)

För uppsugning av damm ansluts munstycket på insuget och dammpåsen på utblåset.

Töm innehållet i dammpåsen i en soptunna när dammpåsen är fylld genom att dra ut fästansordningen. (Fig. 5)

VARNING!

- Töm dammpåsen innan den blir överfull, annars minskar sugkraften.

UNDERHÅLL

VARNING!

- Se alltid till att maskinen är avstängd och att batterikassetten är borttagen innan inspektion eller underhåll utförs.
- Använd inte bensin, thinner, alkohol eller liknande. Missfärgning, deformation eller sprickor kan uppstå.

Rengöring

Torka då och då av maskinen på utsidan med en trasa fuktad i tvålatten. Använd aldrig bensin, thinner eller liknande då missfärgning och/eller sprickor kan uppstå. (Fig. 6)

För att upprätthålla produktens SÄKERHET och TILLFÖRLITLIGHET bör allt underhålls- och justeringsarbete utföras av ett auktoriserat Makita servicecenter och med reservdelar från Makita.

TILLBEHÖR

VARNING!

- Följande tillbehör och tillsatser rekommenderas för användning tillsammans med den Makita-maskin som denna bruksanvisning avser. Om andra tillbehör eller tillsatser används kan det uppstå risk för personskador. Använd endast tillbehören eller tillsatserna för de syften de är avsedda för.

Kontakta ditt lokala Makita servicecenter om du behöver ytterligare information om dessa tillbehör.

- Munstycke
- Dammpåse
- Hörmunstycke
- Rakt rör
- Flexibel slang
- Koppling
- Olika typer av originalbatterier och -laddare från Makita

Buller

ENG905-1

Typisk A-viktade bullernivå fastställd enligt EN60745:

Modell BUB142

Ljudtrycksnivå (L_{pA}): 86 dB (A)
Ljudeffektnivå (L_{WA}): 97 dB (A)
Måttolerans (K): 3 dB (A)

Modell BUB182

Ljudtrycksnivå (L_{pA}): 83 dB (A)
Ljudeffektnivå (L_{WA}): 94 dB (A)
Måttolerans (K): 3 dB (A)

Bär hörselskydd.

Vibration

ENG900-1

Det totala vibrationsvärdet (treaxlig vektorsumma) bestämt enligt EN60745:

Arbetsläge: arbetar utan belastning
Vibrationsemission (a_{v1}): 2,5 m/s² eller mindre
Måttolerans (K): 1,5 m/s²

ENG901-1

- Det deklarerade vibrationsemissionsvärdet har uppmätts i enlighet med standardtestmetoden och kan användas för jämförandet av en maskin med en annan.
- Det deklarerade vibrationsemissionsvärdet kan också användas i en preliminär bedömning av exponering för vibration.

⚠ VARNING!

- Vibrationsemissionen under faktisk användning av maskinen kan skilja sig från det deklarerade emissionsvärdet beroende på hur maskinen används.
- Se till att hitta de säkerhetsåtgärder som kan utföras för att skydda användaren som grundar sig på en uppskattning av exponering i verkligheten (ta med i beräkningen alla delar av användandet såsom när maskinen är avstängd och när den körs på tomgång utöver då startomkopplaren används).

Gäller endast Europa

ENH101-14

EU-deklaration om överensstämmelse

Vi Makita Corporation som ansvarig tillverkare deklarerar här med att följande maskin(er) från Makita:

Maskinbeteckning:

Batteridrivna lövblås

Modellnr./typ: BUB142, BUB182

ingår i serieproduktion och

uppfyller följande Europeiska direktiv:
2006/42/EU

Och är tillverkade enligt följande standarder eller standardiseringsdokument:

EN60745

Den tekniska dokumentationen förs av vår auktoriserade representant i Europa som är:

Makita International Europe Ltd.

Michigan Drive, Tongwell,

Milton Keynes, MK15 8JD, England

30. 1. 2009



Tomoyasu Kato
Direktör

Makita Corporation
3-11-8, Sumiyoshi-cho,
Anjo, Aichi, JAPAN

NORSK (Originalinstruksjoner)

Forklaring til oversikten

- | | | |
|------------|--------------------------------------|-----------------|
| 1. Rød del | 5. Innstillingsbryter for luftmengde | 9. Støvpose |
| 2. Knapp | 6. Startbryter | 10. Sugeinngang |
| 3. Batteri | 7. Munnstykke | 11. Holder |
| 4. Pekere | 8. Blåseutgang | |

SPESIFIKASJONER

Modell		BUB142	BUB182
Kapasitet	Luftrykk (vannsøyle)	0 – 550 mm	
	Luftmengde	0 – 2,6 m ³ /min	
Tomgangshastighet (min ⁻¹)		0–18 000	
Full lengde		509 mm	
Nettovekt		1,6 kg	1,7 kg
Merkespenning		Likestrøm 14,4 V	Likestrøm 18 V

- Som følge av vårt kontinuerlige forsknings- og utviklingsprogram kan de tekniske dataene endres uten ytterligere forvarsel.
- Tekniske data og batteri kan variere fra land til land.
- Vekt, med batteri, i henhold til EPTA-prosedyre 01/2003

Symboler

END004-4

Nedenfor ser du symbolene som brukes for dette utstyret. Forsikre deg om at du forstår hva de betyr, før du begynner å bruke verktøyet.



..... Les bruksanvisningen.



..... Kun for EU-land

Kast aldri elektroutstyr eller batteripakker i husholdningsavfallet! I henhold til EU-direktiv 2002/96/EF om kasserte elektriske og elektroniske produkter, 2006/66/EF om batterier og akkumulatører, og deres iverksettning i nasjonal rett, må elektroutstyr og batteripakker som ikke lenger skal brukes, samles separat og returneres til et miljøvennlig gjenvinningsanlegg.

Bruksområde

BNE108-1

Verktøyet er beregnet for å blåse støv.

Generelle advarsler angående sikkerhet for elektroverktøy

GEA006-2

⚠ ADVARSEL Les alle advarsler og instruksjoner.

Hvis du ikke følger advarslene og instruksjonene, kan det føre til elektrisk støt, brann eller alvorlige helseskader.

Oppbevar alle advarsler og instruksjoner for senere bruk.

Uttrykket "elektrisk verktøy" i advarslene refererer både til elektriske verktøy (med ledning) tilkoblet strømmettet, og batteridrevne verktøy (uten ledning).

Sikkerhet på arbeidsplassen

1. **Hold arbeidsplassen ren og godt opplyst.** Rotete eller mørke områder fører lett til uhell.
2. **Ikke bruk elektriske verktøy i eksplosive atmosfærer, f. eks. i nærheten av brennbare væsker, gasser eller støv.** Elektriske verktøy avgir gnister som kan antenne støv eller gasser.
3. **Hold barn og tilskuere unna når du bruker et elektrisk verktøy.** Ting som avleder oppmerksomheten kan få deg til å miste kontrollen over verktøyet.

Elektrisk sikkerhet

4. **Elektriske verktøy må passe til det aktuelle strømuttaket. Støpselet må aldri endres eller modifiseres på noen måte. Ikke bruk adapterstøpsler til jordede elektriske verktøy.** Ikke-modifiserte støpsler og passende kontakter reduserer risikoen for elektriske støt.
5. **Unngå kroppskontakt med jordede overflater, som rør, radiatorer, komfyrer og kjøleskap.** Hvis kroppen din er jordnet, er risikoen større for at du skal få elektrisk støt.
6. **Ikke utsett elektriske verktøy for regn eller fuktighet.** Hvis det kommer vann inn i et elektrisk verktøy, vil det øke risikoen for elektriske støt.
7. **Ikke utsett strømkabelen for feilaktige belastninger. Kabelen må aldri brukes til å bære, trekke eller koble fra det elektriske verktøyet. Hold strømkabelen unna varme, olje, skarpe kanter og bevegelige deler.** Ødelagte eller sammenfiltrede kabler øker risikoen for elektriske støt.
8. **Når du bruker et elektrisk verktøy utendørs, må du bruke en skjøteledning som egner seg til utendørs bruk.** Med en skjøteledning som er beregnet på utendørs bruk kan du redusere risikoen for elektriske støt.

9. **Hvis du må bruke elektroverktøy i fuktige omgivelser, må du bruke en strømforsyning med jordfeilbryter (GFCI, ground fault circuit interrupter).** En jordfeilbryter reduserer faren for elektrisk støt.

Personlig sikkerhet

10. **Vær årvåken, følg med på det du gjør, og bruk sunn fornuft når du bruker et elektrisk verktøy. Du må aldri bruke et elektrisk verktøy når du er trett eller under påvirkning av narkotika, alkohol eller medikamenter.** Et øyeblikks uoppmærksomhet kan være nok til å forårsake alvorlige helseskader.
11. **Bruk personlig verneutstyr. Bruk alltid vernebriller.** Verneutstyr som for eksempel støvmaske, sklisikre vernesko, hjelm og hørselssvern reduserer personskader når det brukes riktig.
12. **Unngå utilsiktet start. Pass på at bryteren er i avstilling før du kobler maskinen til et strømuttak eller batteri, og før du tar opp maskinen eller går rundt med den.** Hvis du bærer elektriske verktøy med fingeren på bryteren, eller kobler strøm til et verktøy med bryteren i påstilling, kan dette lett føre til ulykker.
13. **Fjern eventuelle justeringsnøkler eller skrunøkler før du slår på det elektriske verktøyet.** En skrunøkkel eller sekskantnøkkel som glemmes på en roterende del av verktøyet kan forårsake helseskader.
14. **Ikke len deg over verktøyet. Pass på alltid å være i balanse og ha godt fotfeste.** På denne måten får du bedre kontroll over det elektriske verktøyet i uventede situasjoner.
15. **Bruk riktig arbeidstøy. Ikke bruk løse klær eller smykker. Hold hår, klær og hansker unna bevegelige deler.** Løse klær, smykker eller langt hår kan sette seg fast i bevegelige deler.
16. **Hvis støvavsug og utstyr for støvoppsamling er tilgjengelig, må disse være tilkoblet og brukes riktig.** Bruk av støvoppsamlere kan redusere faren som skyldes støv.

Bruk og stell av elektriske verktøy

17. **Ikke bruk makt på det elektriske verktøyet. Bruk riktig elektrisk verktøy for ditt formål.** Riktig elektrisk verktøy vil gjøre jobben bedre og sikrere i den hastigheten det er konstruert for.
18. **Ikke bruk det elektriske verktøyet hvis det ikke kan slås på og av med startbryteren.** Et hvilket som helst elektrisk verktøy som ikke kan kontrolleres med startbryteren, er farlig og må repareres.
19. **Trekk støpselet ut av stikkkontakten og/eller ta batteriet ut av det elektriske verktøyet før du foretar eventuelle justeringer, skifter tilbehør eller setter elektriske verktøy til lagring.** Slike forebyggende sikkerhetstiltak reduserer risikoen for at det elektriske verktøyet skal starte ved et ulykkestilfelle.
20. **Lagre elektriske verktøy som ikke er i bruk, utilgjengelig for barn, og ikke la personer som ikke kjenner det elektriske verktøyet eller disse instruksjonene, bruke det.** Elektriske verktøy er farlige i hendene til uøvde brukere.

21. **Vedlikeholde elektriske verktøy. Kontroller om deler av verktøyet er dårlig tilpasset hverandre, om bevegelige deler sitter fast, om noen deler er brukket, eller om andre omstendigheter vil kunne påvirke bruken av det elektriske verktøyet. Hvis det elektriske verktøyet er skadet, må det repareres før bruk.** Mange ulykker skyldes dårlig vedlikeholdt elektrisk verktøy.
22. **Hold skjærende verktøy skarpe og rene.** Korrekt vedlikeholdt skjæreverktøy med skarpe skjærekanter har mindre risiko for å sette seg fast og er enklere å kontrollere.
23. **Bruk elektroverktøyet, tilbehøret, bits og lignende i henhold til disse instruksjonene og ta hensyn til arbeidsforholdene og arbeidet som skal utføres.** Det kan oppstå farlige situasjoner hvis det elektriske verktøyet brukes til andre formål enn det er konstruert for.

Bruk og stell av batteriet

24. **Batteriet må kun lades opp igjen med laderen angitt av produsenten.** En lader som passer til én batteritype, kan være brannfarlig når den brukes med en annen batteritype.
25. **Bruk elektroverktøy kun med spesifikt angitte batterier.** Hvis det brukes et hvilket som helst annet batteri, kan det utgjøre en fare for helseskader og brann.
26. **Når batteriet ikke er i bruk, må du holde det unna metallgjenstander som binders, mynter, nøkler, spiker, skruer og andre små metallgjenstander som kan skape forbindelse mellom de to polene.** Hvis batteripolene kortsluttes, kan du få brannskår, eller det kan begynne å brenne.
27. **Hvis batteriet utsettes for hardhendt bruk, kan væske komme til å sprute fra batteriet. Unngå kontakt med væsken. Hvis du kommer i kontakt med batterivæske, må du skylle med vann. Hvis du får batterivæske i øynene, må du i tillegg oppsøke lege.** Væske fra batteriet kan forårsake irritasjon eller forbrenninger.

Service

28. **La en kvalifisert reparatør utføre service på det elektriske verktøyet ditt, og se til at vedkommende kun bruker originale reservedeler.** Dette vil opprettholde sikkerheten av det elektriske verktøyet.
29. **Følg instruksjonene for smøring og skifting av tilbehør.**
30. **Hold håndtakene tørre, rene og fri for olje og smørefett.**

SIKKERHETSADVARSLER FOR BATTERIDREVT BLÅSER

GEB076-1

1. **Bruk alltid vernebriller, lue og støvmaske når du bruker blåseren.**
2. **Ikke pek med verktøyet mot personer i nærheten mens blåseren er i bruk.**
3. **Bruk alltid støvposen ved oppsamling av støv, biter og lignende.**

- Ikke samle opp sigarettaske som fortsatt er varm, spon fra nyskåret metall, skruer, spiker eller lignende. Advarsel - Bruk på våte overflater kan føre til elektrisk sjokk. Må ikke utsettes for regn. Oppbevares innendørs.
- Ikke blokker sugeinngangen eller blåseutgangen. Økt omdreining i motoren kan forårsake alvorlig skade på viften.
- Blåseren er ikke beregnet for bruk av små barn eller svakelige personer, uten oppsyn.
- Små barn bør passes på for å sikre at de ikke leker med blåseren.

TA VARE PÅ DISSE INSTRUKSJONENE.

⚠ ADVARSEL:

IKKE la bøkvensmelighet eller fortrolighet med produktet (oppnådd gjennom gjentatt bruk) erstatte nøye etterfølgelse av sikkerhetsreglene for produktet. MISBRUK av verktøyet eller mislighold av sikkerhetsreglene i denne brukerhåndboken kan resultere i alvorlige personskader.

VIKTIGE SIKKERHETSINSTRUKSJONER

ENC007-5

FOR BATTERIET

- Før du begynner å bruke batteriet, må du lese alle anvisninger og advarsler på (1) batteriladere, (2) batteriet og (3) det produktet batteriet skal brukes i.
- Ikke ta fra hverandre batteriet.
- Hvis driftstiden er blitt vesentlig kortere, må du omgående slutte å bruke verktøyet. Hvis ikke kan resultatet bli overoppheting, mulige forbrenninger eller til og med en eksplosjon.
- Hvis du får elektrolytt i øynene, må du skylle dem med store mengder rennende vann og oppsøke lege med én gang. Denne typen uhell kan føre til varig blindhet.
- Ikke kortslutt batteriet.
 - Ikke berør batteripolene med ledende materialer.
 - Ikke lagre batteriet i samme beholder som andre metallgjenstander, som for eksempel spiker, mynter osv.
 - Ikke la batteriet komme i kontakt med vann eller regn.
En kortslutning av batteriet kan føre til et kraftig strømstøt, overoppheting, mulige forbrenninger og til og med til at batteriet går i stykker.
- Ikke lagre maskinen og batteriet på steder hvor temperaturen kan komme opp i 50 °C (122 °F) eller mer.
- Ikke sett fyr på batteriet, ikke engang om det er sterkt skadet eller helt oppbrukt. Batteriet kan eksplodere hvis det begynner å brenne.
- Vær forsiktig så du ikke mister batteriet eller utsetter det for slag.

- Ikke bruk et skadet batteri.

TA VARE PÅ DISSE INSTRUKSJONENE.

Tips for å opprettholde maksimal batterilevetid

- Lad batteriet igjen før det er fullstendig utladet. Slutt å bruke maskinen når du merker at det er lite strøm på batteriet. Sett batteriet til lading.
- Et helt oppladet batteri må aldri settes til ny lading.
Overopplading forkorter batteriets levetid.
- Lad opp batteriet ved romtemperatur, dvs. 10 °C - 40 °C (50 °F - 104 °F). Hvis batteriet er varmt, må det avkjøles før lading.

FUNKSJONSBEKRIVELSE

FORSIKTIG:

- Forsikre deg om at maskinen er slått av og batteriet tatt ut før du justerer maskinen eller kontrollerer dens mekaniske funksjoner.

Montere eller demontere batteriet (Fig. 1)

- Verktøyet må alltid slås av før du setter inn eller tar ut batteriet.
- Ta ut batteriet ved å trekke det ut av maskinen mens du trykker på knappene på forsiden av batteriet.
- Sett inn batteriet ved å plassere tungen på batteriet på linje med sporet i huset og skyv batteriet på plass. Batteriet må skyves helt inn til det går i inngrep med et lite klikk. Hvis dette ikke gjøres, kan batteriet falle ut av maskinen og skade deg eller andre som oppholder seg i nærheten.
- Ikke bruk makt når du setter inn batteriet. Hvis batteriet ikke glir lett inn, er det fordi det ikke settes inn på riktig måte.

Bryterfunksjon

FORSIKTIG:

- Før du setter batteriet inn i maskinen, må du alltid kontrollere om startbryteren aktiverer maskinen på riktig måte og går tilbake til av-stilling når den slippes. Trykk ganske enkelt på startbryteren når du skal starte verktøyet. Når du trykker hardere på startbryteren, øker hastigheten på verktøyet. Slipp startbryteren for å stoppe maskinen. (Fig. 2)

Innstillingsbryter for luftmengde

Luftmengden kan justeres til tre nivåer ved å dreie på justeringsbryteren mens startbryteren er trykket helt inn. Du finner sammenhengen mellom tallene på bryteren og luftmengden, i tabellen nedenfor.

Tall på bryteren	Luftmengde
3	Høy
2	Middels
1	Lav

FORSIKTIG:

- Bruk justeringsbryteren bare når startbryteren er tilbake i av-stilling. Hvis du dreier på innstillingsbryteren før startbryteren er tilbake i av-stilling, kan det skade verktøyet.
- Hvis verktøyet brukes kontinuerlig til batteriet er utladet, må du la verktøyet hvile i minst 15 minutter før du fortsetter med et nytt batteri.

MONTERING

Blåse

For støvblåsing fester du munnstykket til blåseutgangen og dreier det med urviseren for å feste det. (Fig. 3)

Støvsuging (Fig. 4)

For støvsuging fester du munnstykket på sugeinngangen og støvposen på blåseutgangen.

Når posen er full av støv, tømmer du innholdet i en støvbeholder ved å løsne holderen. (Fig. 5)

FORSIKTIG:

- Tøm støvposen før den blir for full, ellers reduseres sugekraften.

VEDLIKEHOLD

FORSIKTIG:

- Forsikre deg om at maskinen er slått av og at batteriet er tatt ut før du foretar inspeksjon eller vedlikehold.
- Aldri bruk gasolin, bensin, tynner, alkohol eller lignende. Det kan føre til misfarging, deformering eller sprekkdannelse.

Rengjøring

Tørk av utsiden av verktøyet regelmessig med en klut fuktet i såpevann. Ikke bruk bensin, tynner eller lignende.

Det kan føre til misfarging og sprekkdannelse. (Fig. 6)
For å opprettholde produktets SIKKERHET og PÅLITELIGHET må reparasjoner, vedlikehold og justeringer utføres av Makitas autoriserte servicesentre, og det må alltid brukes reservedeler fra Makita.

TILBEHØR

FORSIKTIG:

- Du bør bruke dette tilbehøret og verktøyet sammen med den Makita-maskinen som er spesifisert i denne håndboken. Bruk av annet tilbehør og verktøy kan forårsake helseskader. Tilbehør og verktøy kan brukes til det formålet det er beregnet på.

Ta kontakt med ditt lokale Makita-servicesenter hvis du trenger flere opplysninger om dette tilbehøret.

- Munnstykke
- Støvpose
- Vinkelmunnstykke
- Rett rør
- Fleksibel slange
- Forbindelsesledd
- Ulike typer ekte batterier og ladere fra Makita

Støy

ENG905-1

Typisk A-vektet lydtrykknivå bestemt i samsvar med EN60745:

Modell BUB142

Lydtrykknivå (L_{pA}): 86 dB (A)
Lydeffektnivå (L_{WA}): 97 dB (A)
Usikkerhet (K): 3 dB (A)

Modell BUB182

Lydtrykknivå (L_{pA}): 83 dB (A)
Lydeffektnivå (L_{WA}): 94 dB (A)
Usikkerhet (K): 3 dB (A)

Bruk hørselvern.

Vibrasjon

ENG900-1

Den totale vibrasjonsverdien (triaksial vektorsum) bestemt i henhold til EN60745:

Arbeidsmåte: Drift uten belastning
Genererte vibrasjoner (a_{H}): 2,5 m/s² eller mindre
Usikkerhet (K): 1,5 m/s²

ENG901-1

- Den oppgitte verdien for genererte vibrasjoner har blitt målt i henhold til standard testmetode, og kan bli likt til å sammenligne ett verktøy med et annet.
- Den oppgitte verdien for genererte vibrasjoner kan også benyttes i foreløpig risikovurdering.

⚠ ADVARSEL:

- Genererte vibrasjoner under faktisk bruk av verktøyet kan være forskjellig fra den oppgitte verdien, avhengig av hvordan verktøyet brukes.
- Vær påpasselig med å finne sikkerhetstiltak som beskytter operatøren, basert på en oppfatning av risiko under faktiske bruksforhold (på bakgrunn av alle sider ved brukssyklusen, som når verktøyet slås av og når det går på tomgang, i tillegg til oppstarten).

Kun for land i Europa

ENH101-14

EU-samsvarserklæring

Som ansvarlig produsent, erklærer vi, Makita Corporation, at følgende Makita-maskin(er):

Maskinbetegnelse:

Trådløs blåser

Modellnr. /type: BUB142, BUB182

er serieprodusert og

samsvarer med følgende EU-direktiver:

2006/42/EU

og er produsert i henhold til følgende standarder eller standardiserte dokumenter:

EN60745

Den tekniske dokumentasjonen oppbevares hos vår autoriserte representant i Europa, som er:

Makita International Europe Ltd.

Michigan Drive, Tongwell,

Milton Keynes, MK15 8JD, England

30. 1. 2009



Tomoyasu Kato
Direktør

Makita Corporation
3-11-8, Sumiyoshi-cho,
Anjo, Aichi, JAPAN

SUOMI (Alkuperäiset ohjeet)

Yleiskuvaus

- | | | |
|-----------------|------------------------------|---------------|
| 1. Punainen osa | 5. Ilmatilavuuden säätöpyörä | 9. Pölypussi |
| 2. Painike | 6. Liipaisinkytkin | 10. Imuaukko |
| 3. Akku | 7. Suutin | 11. Kiinnitin |
| 4. Osoittimet | 8. Puhaltimen poistoaukko | |

TEKNISET TIEDOT

Malli		BUB142	BUB182
Teho	Ilmanpaine (vesipylväs)	0 - 550 mm	
	Ilmatilavuus	0 – 2,6 m ³ /min	
Joutokäyntinopeus (min ⁻¹)		0 - 18 000	
Kokonaispituus		509 mm	
Nettopaino		1,6 kg	1,7 kg
Nimellisjännite		DC 14,4 V	DC 18 V

- Jatkuvan tutkimus- ja kehitysohjelman vuoksi pidätämme oikeuden muuttaa tässä mainittuja teknisiä ominaisuuksia ilman ennakoilmoitusta.
- Tekniset ominaisuudet ja akku saattavat vaihdella maakohtaisesti.
- Paino akun kanssa EPTA-menetelmän 01/2003 mukaan

Merkkien selitykset

END004-4

Laitteessa on käytetty seuraavia symboleja.

Varmista ennen käyttöä, että ymmärrät niiden merkityksen.



... Lue käyttöohje.



Koskee vain EU-maita

Älä hävitä sähkölaitteita tai akkuja tavallisen kotitalousjätteen mukana! Sähkö- ja elektroniikkalaiteromua koskevan EU-direktiivin 2002/96/EY ja paristoja ja akkuja sekä käytettyjä paristoja ja akkuja koskevan direktiivin 2006/66/EY ja näiden maakohtaisten sovellusten mukaisesti käytetyt sähkölaitteet ja akut on toimitettava ongelmajätteen keräyspisteeseen ja ohjattava ympäristöystävälliseen kierrätykseen.

Käyttötarkoitus

BNE018-1

Työkalu on tarkoitettu käyttämään pölyn puhaltamiseksi.

Sähkötyökalujen käyttöä koskevat varoitukset

GEA006-2

VAROITUS Lue kaikki turvallisuusvaroitukset ja käyttöohjeet. Varoitusten ja ohjeiden noudattamatta jättäminen voi johtaa sähköiskun, tulipaloon ja/tai vakavaan vammautumiseen.

Säilytä varoitukset ja ohjeet tulevaa käyttöä varten.

Varoituksissa käytettävällä termillä "sähkötyökalu" tarkoitetaan joko verkkovirtaa käyttävää (johdollaista) työkalua tai akkukäyttöistä (johdotonta) työkalua.

Työtilan turvallisuus

- Pidä työtila puhtaana ja hyvin valaistuna.** Sotkuisissa ja pimeissä tiloissa sattuu helposti onnettomuuksia.
- Älä käytä sähkötyökaluja tiloissa, joissa on räjähdysvaara (esimerkiksi tilat, joissa on palavia nesteitä, kaasuja tai pölyä).** Sähkötyökalut synnyttävät kipinöitä, jotka voivat sytyttää pölyn tai kaasun.
- Pidä lapset ja sivulliset loitolla, kun käytät sähkötyökalua.** Häiriötekijät voivat johtaa työkalun hallinnan menetykseen.

Sähköturvallisuus

- Sähkötyökalun pistotulpan täytyy sopia pistorasiaan. Älä koskaan muuta tulppaa millään tavalla. Älä käytä pistotulppasovittimia maadoitettujen sähkötyökalujen kanssa.** Muuttamattomat tulpat ja sopivat pistorasiat pienentävät sähköiskun vaaraa.
- Vältä vartaloa kosketusta maadoitettuihin pintoihin kuten putkiin, lämpöpattereihin, liesiin ja jääkaappeihin.** Sähköiskun vaara kasvaa, jos vartalosi on maadoitettu.
- Älä jätä sähkötyökaluja sateeseen tai kosteisiin olosuhteisiin.** Sähkötyökaluun päässyt vesi suurentaa sähköiskun vaaraa.
- Älä vahingoita virtajohtoa. Älä koskaan kannata vedä sähkötyökalua virtajohdosta tai irrota sitä pistorasiasta johdosta vetämällä.** Suojaa virtajohto kuumuudelta, öljyltä, teräviltä reunoilta ja liikkuvilta osilta. Vahingoittunut tai kiinni tarttunut virtajohto suurentaa sähköiskun vaaraa.
- Kun käytät sähkötyökalua ulkona, käytä ulkokäyttöön tarkoitettua jatkojohtoa.** Ulkokäyttöön

tarkoitettujen johdon käyttö pienentää sähköiskun vaaraa.

- Jos sähkötyökalun käyttöä kosteissa olosuhteissa ei voi välttää, kytke laite vikavirtakatkaisimella (GFCI) varustettuun virtalähteeseen.**
Vikavirtakatkaisin vähentää sähköiskun vaaraa.

Henkilökohtainen turvallisuus

- Pysy valppaana, katso mitä teet, ja käytä tervettä järkeä, kun käytät sähkötyökalua. Älä käytä sähkötyökalua, jos olet väsynyt tai huumeiden, alkoholin tai lääkkeiden vaikutuksen alainen.**
Hetkellisenkin tarkkaamattomuus sähkötyökalun käytön aikana voi aiheuttaa vakavan vamman.
- Käytä henkilökohtaisia suojarusteita. Käytä aina suojalaseja.** Suojarusteiden, kuten hengityssuojaimen, pitävien turvakengien, suojakypärän tai kuulosuojaimien, asianmukainen käyttö vähentää loukkaantumisia.
- Estä laitteen tahaton käynnistyminen. Varmista, että kytkin ei ole painettu, ennen kuin kytket virtajohdon tai akun, nostat laitteen tai kannat sitä.** Sähkötyökalun kantaminen sormi kytkimellä tai sen kytkeminen virtalähteeseen kytkin pohjaan painettuna aiheuttaa helposti onnettomuuksia.
- Irrota säätöavain tai vääntötyökalu ennen työkalun käynnistystä.** Sähkötyökalun pyöriivään osaan kiinni jätetty työkalu tai avain voi aiheuttaa henkilövahinkoja.
- Älä kirkota. Seiso tukevassa asennossa ja säilytä tasapainosi.** Näin säilytät paremmin sähkötyökalun hallinnan odottamattomissa tilanteissa.
- Pukeudu asianmukaisesti. Älä käytä väljiä vaatteita tai koruja. Pidä hiukset, vaatteet ja käsineet loitolla liikkuvista osista.** Väljät vaatteet, korut tai pitkät hiukset voivat tarttua liikkuviin osiin.
- Jos pölyn poisto- ja keräysliitäntää varten on olemassa laitteet, huolehdi siitä, että ne liitetään ja että niitä käytetään oikein.** Pölynpoiston käyttäminen auttaa ehkäisemään pölyn aiheuttamia vaaroja.

Sähkötyökalun käyttö ja hoito

- Älä käytä sähkötyökalua liiallisella voimalla. Käytä tarkoitukseen sopivaa sähkötyökalua.** Oikea sähkötyökalu tekee työn paremmin ja turvallisemmin nopeudella, jolle se on suunniteltu.
- Älä käytä sähkötyökalua, jos se ei käynnisty ja sammuu kytkimestä.** Sähkötyökalu, jota ei voi ohjata kytkimellä, on vaarallinen ja se täytyy korjata.
- Irrota pistotulppa virtalähteestä tai akku sähkötyökalusta, ennen kuin teet mitään säätöjä, vaihdat lisävarusteita tai panet sähkötyökalun säilöön.** Tällaiset ehkäisevät turvatoimet pienentävät sähkötyökalun vahingossa käynnistymisen vaaraa.
- Pidä käyttämättömät sähkötyökalut poissa lasten ulottuvilta, äläkä anna sähkötyökalua tai näitä ohjeita tuntemattomien henkilöiden käyttäjä työkalua.** Sähkötyökalut ovat vaarallisia harjaantumattomien käyttäjien käsissä.
- Pidä sähkötyökalut kunnossa. Tarkista kaikkien liikkuvien osien liikeradat ja kiinnitykset, osien eheys sekä kaikki muut seikat, jotka voivat**

vaikuttaa sähkötyökalun toimintaan. Jos sähkötyökalu on vahingoittunut, korjauta se ennen käyttöä. Huonosti hoidetut sähkötyökalut aiheuttavat usein tapaturmia.

- Pidä leikkaustyökalut terävinä ja puhtaina.** Oikein hoidetut leikkaustyökalut, joiden leikkuuterät ovat terävät, eivät jää helposti kiinni ja niitä on helpompi hallita.
- Käytä sähkötyökalua, lisäosia, työstövälineitä jne. näiden ohjeiden sekä työolosuhteiden ja tehtävän työn vaatimusten mukaisesti.** Sähkötyökalun käyttö tarkoituksiin, joihin sitä ei ole suunniteltu, voi aiheuttaa vaaratilanteen.

Akun käyttö ja hoito

- Lataa akku vain valmistajan määrittämällä laturilla.** Yhdenlaiselle akulle sopiva laturi voi aiheuttaa tulipalovaaran, jos laturia käytetään jonkin toisenlaisen akun kanssa.
- Käytä sähkötyökaluja vain määritysten mukaisten akkujen kanssa.** Muiden akkujen käyttäminen aiheuttaa loukkaantumisen- ja tulipalovaaran.
- Kun akku ei ole käytössä, säilytä se erillään metalliesineistä, kuten paperiliittimistä, kolikoista, avaimista, nauloista, ruuveista ja muista pienistä metalliesineistä, jotka voivat yhdistää akun navat.** Akun napojen oikosulkeminen voi aiheuttaa palovamman tai tulipalon.
- Akusta voi vuotaa nestettä, jos sitä käsitellään väärin. Vältä ihokosketusta. Jos kosketat nestettä vahingossa, huuhtele iho vedellä. Jos nestettä pääsee silmiin, hakeudu lääkärin hoitoon.** Akkuneesteet voivat ärsyttää ihoa tai aiheuttaa palovammoja.

Huolto

- Jätä huolto ammattitaitoiselle korjaajalle ja varmista, että vaihdettavat osat ovat alkuperäisiä.** Näin varmistetaan, että sähkötyökalu pysyy turvallisena.
- Noudata voitelusta ja lisävarusteiden vaihtamisesta annettuja ohjeita.**
- Pidä kahvat kuivina, puhtaina ja erossa öljystä ja rasvasta.**

AKKUKÄYTTÖISEN PUHALTIMEN TURVALLISUUSOHJEET

GEB076-1

- Käytä aina suojalaseja, lakkia ja naamaria, kun käytät puhallinta.**
- Kun käytät puhallinta, älä koskaan suuntaa suuntinta ketään lähellä olevaa kohti.**
- Kun keräät pölyä, lastuja ja jätettä, käytä aina pölypussia.**
- Älä kerää siihen edelleen kytevää tupakan tuhkaa, juuri lastuttuja metalliliuskoja, ruuveja, nautoja tai vastaavaa. Varoitus - Jos laitetta käytetään märillä pinnoilla, on olemassa sähköiskun vaara. Älä anna työkalun kastua saateissa. Säilytä työkalua sisätiloissa.**
- Älä tuhi imuaukkoa ja/tai puhaltimen ulostuloa. Moottorin nopeampi pyörintä voi aiheuttaa tuulettimen vaarallisen rikkoutumisen.**

- Pienet lapset tai sairaat henkilöt eivät saa käyttää puhallinta ilman valvontaa.
- Pieniä lapsia tulee vahtia ja varmistaa, etteivät he leiki puhaltimella.

SÄILYTÄ NÄMÄ OHJEET.

VAROITUS:

ÄLÄ anna työkalun helppokäyttöisyyden tai toistuvan käytön tuudittaa sinua väärään turvallisuuden tunteeseen niin, että laiminlyöt turvaohjeiden noudattamisen. **VÄÄRINKÄYTTÖ** tai tämän käyttöohjeen turvamääräysten laiminlyönti voi johtaa vakaviin henkilövahinkoihin.

TÄRKEITÄ TURVAOHJEITA ENC007-5

AKKU

- Tutustu ennen akun käyttöönottoa kaikkiin laturissa (1), akussa (2) ja akkukäyttöisessä tuotteessa (3) oleviin varoitusteksteihin.
- Älä pura akkua osiin.
- Jos akun toiminta-aika lyhenee merkittävästi, lopeta akun käyttö. Seurauksena voi olla ylikuumeneminen, palovammoja tai jopa räjähdys.
- Jos elektrolyytti pääsee silmiin, huuhtele puhtaalla vedellä ja hakeudu välittömästi lääkärin hoitoon. Seurauksena voi olla sokeutuminen.
- Älä saata akkua oikosulkun:
 - Älä koske akun napoihin millään sähköä johtavalla materiaalilla.
 - Älä säilytä akkupakettia yhdessä muiden metalliesineiden, kuten naulojen, kolikoiden yms. kanssa.
 - Älä aseta akkua alttiiksi vedelle tai sateelle. Akun oikosulku voi aiheuttaa voimakkaan sähkövirran, palovammoja ja jopa laitteen rikkoutumisen.
- Älä säilytä laitetta ja akkua paikassa, jossa lämpötila voi nousta 50 °C:een tai sitäkin korkeammaksi.
- Älä hävitä akkua polttamalla, vaikka se olisi pahoin vaurioitunut tai täysin loppuun kulunut. Avotuli voi saada akun räjähtämään.
- Varo kolhimasta tai pudottamasta akkua.
- Älä käytä vaurioitunutta akkua.

SÄILYTÄ NÄMÄ OHJEET.

Vinkkejä akun käyttöiän pidentämiseksi

- Lataa akku ennen kuin se ehtii purkautua kokonaan. Lopeta laitteen käyttö ja lataa akku aina, kun huomaat tehon heikenevän.
- Älä koskaan lataa täyttä akkua. Yliilataus lyhentää akun käyttöikää.
- Lataa akkupaketti huoneenlämmössä 10 °C–40 °C. Anna kuuman akun jäähtyä ennen latausta.

TOIMINTAKUVAUS

HUOMAUTUS:

- Varmista aina ennen säätöjä ja tarkastuksia, että laite on sammutettu ja akku irrotettu.

Akun kiinnitys ja irrotus (Kuva 1)

- Katkaise laitteesta aina virta ennen akun kiinnitystä tai irrotusta.
- Irrota akku vetämällä samalla, kun painat akun molemmilla puolilla olevia nappeja.
- Akku kiinnitetään sovittamalla akun kieleke kotelon uraan ja työntämällä se sitten paikoilleen. Työnnä akku aina pohjaan asti niin, että kuulet sen napsahtavan paikoilleen. Jos akku ei ole kunnolla paikallaan, se voi pudota laitteesta ja aiheuttaa vammoja joko sinulle tai sivullisille.
- Älä käytä voimaa, kun kiinnität akkua paikalleen. Jos akku ei mene paikalleen helposti, se on väärässä asennossa.

Kytkentä

HUOMAUTUS:

- Tarkista aina ennen akun kiinnittämistä työkaluun, että liipaisinkytkin kytkeytyy oikein ja palaa OFF-asentoon, kun se vapautetaan.

Käynnistä työkalu painamalla liipaisinkytkintä. Mitä voimakkaammin liipaisinkytkintä painetaan, sitä nopeammin terä pyörii. Laite pysäytetään vapauttamalla liipaisinkytkin. **(Kuva 2)**

Ilmatilavuuden säätöpyörä

Ilmatilavuus voidaan säätää mihin asetukseen tahansa kolmesta kiertämällä säätöpyörää siten, että liipaisinpyörä on täysin painettuna. Katso alhaalla olevaa taulukkoa säätöpyörässä olevan numeron ja ilmatilavuuden suhteen vuoksi.

Säätöpyörän numero	Ilmatilavuus
3	Suuri
2	Keski
1	Alhainen

HUOMAUTUS:

- Käytä säätöpyörää ainoastaan, kun liipaisinkytkin on palannut "OFF"-asemaan. Säätöpyörän kiertäminen ennen liipaisimen palautumista saattaa aiheuttaa vahinkoa työkalussa.
- Jos sahaa käytetään jatkuvasti niin pitkään, että akku tyhjenee, lepuuta työkalua ainakin 15 minuuttia ennen kuin jatkat työskentelyä uudella akulla.

KOKOONPANO

Puhallus

Kiinnitä suutin puhaltimen poistoaukkoon pölyn puhallukseksi, kierrä sitä myötäpäivään sen paikalleen lukitsemiseksi. **(Kuva 3)**

Pölynimu (Kuva 4)

Sovita pölyn imuun suutin sisäänmenoaukon päälle ja pölypussi puhaltimen poistoaukon päälle.

Kun pussi täyttyy pölyllä, tyhjennä pölypussin sisältö pölyastiaan vapauttamalla kiinnitin. **(Kuva 5)**

ENG901-1

HUOMAUTUS:

- Tyhjennä pölypussi ennen kuin se on täytty kokonaan, taiimuteho heikkenee.

KUNNOSSAPITO

HUOMAUTUS:

- Varmista aina ennen tarkastuksia tai huoltoa, että laite on sammutettu ja akku irrotettu.
- Älä koskaan käytä bensiiniä, ohentimia, alkoholia tms. aineita. Muutoin pinta voi halkeilla tai sen värit ja muoto voivat muuttua.

Puhdistus

Pyyhi ajoittain työkalun ulkopuoli pesuainevedellä kosteutettua kangasta käyttäen. Älä koskaan käytä bensiiniä, liuotinta tai vastaavaa, muuten värittömyyttä / tai halkeamia saattaa ilmetä. **(Kuva 6)**
Tuotteen TURVALLISUUDEN ja LUOTETTAVUUDEN takaamiseksi korjaukset, muut huoltotyöt ja säädöt on teetettävä Makitan valtuutetussa huoltopisteessä Makitan varaosia käyttäen.

LISÄVARUSTEET

HUOMAUTUS:

- Seuraavia lisävarusteita tai laitteita suositellaan käytettäväksi tässä ohjeessa kuvatun Makita-työkalun kanssa. Muiden lisävarusteiden tai laitteiden käyttö voi aiheuttaa henkilövahinkoja. Käytä lisävarustetta tai laitetta vain ilmoitettuun käyttötarkoitukseen.

Jos tarvitset lisätietoja varusteista, ota yhteyttä Makitan paikalliseen huoltopisteeseen.

- Suutin
- Pölypussi
- Kulmasuutin
- Suora putki
- Joustava letku
- Liitos
- Erilaisia alkuperäisiä Makita-akkuja ja -latureita

Melu

ENG905-1

Tyypillinen A-painotettu melutaso määräytyy EN60745-standardin mukaan:

Malli BUB142

Äänenpainetaso (L_{pA}): 86 dB (A)

Äänitehon taso (L_{WA}): 97 dB (A)

Virhemarginaali (K): 3 dB (A)

Malli BUB182

Äänenpainetaso (L_{pA}): 83 dB (A)

Äänitehon taso (L_{WA}): 94 dB (A)

Virhemarginaali (K): 3 dB (A)

Käytä kuulosuojaimia.

Tärinä

ENG900-1

Tärinän kokonaisarvo (kolmiakselisen vektorin summa) määräytyy EN60745-standardin mukaisesti:

Työmenetelmä: käyttö ilman kuormaa

Tärinäpäästö (a_{h1}): 2,5 m/s² tai vähemmän

Virhemarginaali (K): 1,5 m/s²

- Ilmoitettu tärinäpäästöarvo on mitattu standarditestausten menetelmän mukaisesti, ja sen avulla voidaan vertailla työkaluja keskenään.
- Ilmoitettua tärinäpäästöarvoa voidaan käyttää myös altistumisen alustavaan arviointiin.

⚠ VAROITUS:

- Työkalun käytön aikana mitattu todellinen tärinäpäästöarvo voi poiketa ilmoitetusta tärinäpäästöarvosta työkalun käyttötavan mukaan.
- Selvitä käyttäjän suojaamiseksi tarvittavat varoitimet todellisissa käyttöolosuhteissa tapahtuvan arvioidun altistumisen mukaisesti (ottaen huomioon käyttöajaksi kokonaisuuksensa, myös jaksot, joiden aikana työkalu on sammutettuna tai käy tyhjäkäynnillä).

Koskee vain Euroopan maita

ENH101-14

EY-vaatimustenmukaisuusvakuutus

Vastuullinen valmistaja Makita Corporation ilmoittaa

vastaavansa siitä, että seuraava(t) Makitan

valmistama(t) kone(et):

Koneen tunnistetiedot:

Akkukäyttöinen puhallin

Mallinro/tyyppi: BUB142, BUB182

ovat sarjavalmistaisia ja

täyttävät seuraavien eurooppalaisten direktiivien vaatimukset:

2006/42/EY

ja että ne on valmistettu seuraavien standardien tai standardoitujen asiakirjojen mukaisesti:

EN60745

Teknisen dokumentaation ylläpidosta vastaa valtuutettu Euroopan-edustajamme, jonka yhteystiedot ovat:

Makita International Europe Ltd.

Michigan Drive, Tongwell,

Milton Keynes, MK15 8JD, England

30. 1. 2009



Tomoyasu Kato

Johtaja

Makita Corporation

3-11-8, Sumiyoshi-cho,

Anjo, Aichi, JAPAN

ΕΛΛΗΝΙΚΑ (Πρωτογενείς οδηγίες)

Περιγραφή γενικής όψης

- | | | |
|------------------|--------------------------------|-------------------------|
| 1. Κόκκινο τμήμα | 5. Καντράν ρύθμισης όγκου αέρα | 9. Σάκος σκόνης |
| 2. Κουμπί | 6. Σκανδάλη-διακόπτης | 10. Είσοδος αναρρόφησης |
| 3. Μπαταρία | 7. Ακροφύσιο | 11. Συνδετήρας |
| 4. Δείκτες | 8. Έξοδος φυσητήρα | |

ΠΡΟΔΙΑΓΡΑΦΕΣ

Μοντέλο		BUB142	BUB182
Χωρητικότητα	Πίεση αέρα (στήλη νερού)	0 - 550 χιλ	
	Όγκος αέρα	0 - 2,6 μέτρα ³ /λεπτό	
Ταχύτητα χωρίς φορτίο (λεπτό ⁻¹)		0 - 18.000	
Ολικό μήκος		509 εκατοστά	
Καθαρό βάρος		1,6 κιλά	1,7 κιλά
Ονομαστική τιμή τάσης		D.C. 14,4 V	D.C. 18 V

- Λόγω του συνεχόμενου προγράμματος που εφαρμόζουμε για έρευνα και ανάπτυξη, τα τεχνικά χαρακτηριστικά στο παρόν έντυπο υπόκεινται σε αλλαγή χωρίς προειδοποίηση.
- Τα τεχνικά χαρακτηριστικά και η μπαταρία ενδέχεται να διαφέρουν από χώρα σε χώρα.
- Βάρος μαζί με την μπαταρία σύμφωνα με τη διαδικασία της EPTA 01/2003

Σύμβολα

END004-4

Παρακάτω παρουσιάζονται τα σύμβολα που χρησιμοποιούνται για τον εξοπλισμό. Βεβαιωθείτε ότι κατανοείτε τη σημασία τους πριν από τη χρήση.



..... Διαβάστε το εγχειρίδιο οδηγιών.



..... Μόνο για τις χώρες της ΕΕ

Μην απορρίπτετε τον ηλεκτρικό εξοπλισμό ή την μπαταρία μαζί με τα οικιακά απορρίμματα!

Σύμφωνα με την Ευρωπαϊκή Οδηγία 2002/96/ΕΚ περί αποβλήτων ηλεκτρικού και ηλεκτρονικού εξοπλισμού, την 2006/66/ΕΚ περί μπαταριών και συσσωρευτών και των αποβλήτων των μπαταριών και των συσσωρευτών και την ενσωμάτωσή τους στην εθνική νομοθεσία, ο ηλεκτρικός εξοπλισμός και η μπαταρία που έχουν φτάσει στο τέλος της ζωής τους πρέπει να συλλέγονται ξεχωριστά και να επιστρέφονται σε εγκαταστάσεις περιβαλλοντικής ανακύκλωσης.

Προοριζόμενη χρήση

ENE018-1

Το εργαλείο προορίζεται για το φύσημα σκόνης.

Γενικές Προειδοποιήσεις Ασφαλείας Του Ηλεκτροκίνητου Εργαλείου

GEA006-2

⚠ ΠΡΟΕΙΔΟΠΟΙΗΣΗ Διαβάστε όλες τις προειδοποιήσεις ασφαλείας και όλες τις οδηγίες. Αν δεν ακολουθήσετε όλες τις προειδοποιήσεις και τις

οδηγίες, μπορεί να προκληθεί ηλεκτροπληξία, πυρκαγιά ή/και σοβαρός τραυματισμός.

Φυλάξτε όλες τις προειδοποιήσεις και τις οδηγίες για μελλοντική αναφορά.

Ο όρος “ηλεκτρικό εργαλείο” στις προειδοποιήσεις αναφέρεται στο ηλεκτρικό εργαλείο που λειτουργεί συνδεδεμένο στην κεντρική παροχή ηλεκτρικού ρεύματος (με καλώδιο) ή στο ηλεκτρικό εργαλείο που λειτουργεί με μπαταρία (χωρίς καλώδιο).

Ασφάλεια στο χώρο εργασίας

1. **Να διατηρείτε το χώρο εργασίας καθαρό και καλά φωτισμένο.** Σε ακατάστατους ή σκοτεινούς χώρους προκαλούνται ατυχήματα.
2. **Μη θέτετε τα ηλεκτρικά εργαλεία σε λειτουργία σε εκρηκτικές ατμόσφαιρες, όπως παρουσία εύφλεκτων υγρών, αερίων ή σκόνης.** Τα ηλεκτρικά εργαλεία δημιουργούν σπινθήρες που μπορεί να προκαλέσουν ανάφλεξη της σκόνης ή των ατμών.
3. **Να απομακρύνετε τα παιδιά και τους μη έχοντες εργασία όταν χειρίζεστε ένα ηλεκτρικό εργαλείο.** Αν αποσπαστεί η προσοχή σας, μπορεί να χάσετε τον έλεγχο.

Ασφάλεια έναντι του ηλεκτρισμού

4. **Τα φως του ηλεκτρικού εργαλείου πρέπει να ταιριάζουν στην πρίζα. Μην τροποποιείτε ποτέ το φως με οποιονδήποτε τρόπο. Μη χρησιμοποιείτε προσαρμογείς σε γειωμένα ηλεκτρικά εργαλεία.** Τα φως που δεν έχουν τροποποιηθεί και οι πρίζες που ταιριάζουν στα φως μειώνουν το κίνδυνο πρόκλησης ηλεκτροπληξίας.
5. **Αποφεύγετε την επαφή του σώματος με γειωμένες επιφάνειες, όπως σωλήνες, καλοριφέρ, φούρνους και ψυγεία.** Υπάρχει αυξημένος κίνδυνος για

πρόκληση ηλεκτροπληξίας εάν το σώμα σας είναι γειωμένο.

6. **Μην εκθέτετε τα ηλεκτρικά εργαλεία στη βροχή ή σε υγρές συνθήκες.** Αν εισέλθει νερό σε κάποιο ηλεκτρικό εργαλείο, αυξάνεται ο κίνδυνος για πρόκληση ηλεκτροπληξίας.
7. **Μην ασκείτε βία πάνω στο ηλεκτρικό καλώδιο. Μη χρησιμοποιείτε ποτέ το ηλεκτρικό καλώδιο για να μεταφέρετε ή να τραβήξετε το ηλεκτρικό εργαλείο, αλλά ούτε και για να βγάλετε το φως του ηλεκτρικού εργαλείου από την πρίζα. Να διατηρείτε το ηλεκτρικό καλώδιο μακριά από τη θερμότητα, τα λάδια, τα αιχμηρά αντικείμενα και τα κινούμενα μέρη.** Τα ηλεκτρικά καλώδια που έχουν υποστεί βλάβες και τα μπλεγμένα καλώδια αυξάνουν τον κίνδυνο για πρόκληση ηλεκτροπληξίας.
8. **Όταν χειρίζεστε κάποιο ηλεκτρικό εργαλείο σε εξωτερικούς χώρους, να χρησιμοποιείτε προέκταση ηλεκτρικού καλωδίου (μπαταντζέ) κατάλληλη για εξωτερική χρήση.** Αν χρησιμοποιείτε ηλεκτρικό καλώδιο κατάλληλο για εξωτερική χρήση, μειώνεται ο κίνδυνος για πρόκληση ηλεκτροπληξίας.
9. **Εάν η λειτουργία του ηλεκτρικού εργαλείου σε μια υγρή περιοχή δεν μπορεί να αποφευχθεί, χρησιμοποιήστε ένα διακόπτη κυκλώματος βλάβης γείωσης (GFCI) για την παροχή προστασίας.** Η χρήση του GFCI ελαττώνει τον κίνδυνο ηλεκτροπληξίας.

Προσωπική Ασφάλεια

10. **Όταν χειρίζεστε κάποιο ηλεκτρικό εργαλείο, να είσαστε σε ετοιμότητα, να προσέχετε τη κάνετε και να χρησιμοποιείτε κοινή λογική. Μη χειρίζεστε κάποιο ηλεκτρικό εργαλείο όταν είσαστε κουρασμένοι ούτε όταν βρίσκεστε κάτω από την επήρεια ναρκωτικών ουσιών, αλκοόλ ή φαρμάκων.** Μια στιγμή απροσεξίας κατά τη διάρκεια του χειρισμού των ηλεκτρικών εργαλείων μπορεί να προκαλέσει σοβαρό προσωπικό τραυματισμό.
11. **Χρησιμοποιήστε προσωπικό εξοπλισμό προστασίας. Να φοράτε πάντοτε προστατευτικά ματιών.** Ο προστατευτικός εξοπλισμός όπως η προσωπίδα κατά της σκόνης, τα αντιολισθητικά παπούτσια ασφαλείας, το κράνος, ή τα προστατευτικά ακοής, που χρησιμοποιείται ανάλογα με τις συνθήκες θα ελαττώσει τους προσωπικούς τραυματισμούς.
12. **Αποτρέψτε την τυχαία ενεργοποίηση. Διασφαλίστε ότι ο διακόπτης βρίσκεται στην ανενεργή θέση πριν από τη σύνδεση στην πηγή ρεύματος και/ή στην μπαταρία, το πιάσιμο ή την μεταφορά του εργαλείου.** Υπάρχει κίνδυνος για πρόκληση ατυχημάτων αν μεταφέρετε τα ηλεκτρικά εργαλεία με το δάκτυλό σας στο διακόπτη ή αν βάζετε ηλεκτρικά εργαλεία στην πρίζα με το διακόπτη στην ενεργή θέση.
13. **Να απομακρύνετε το οποιοδήποτε ρυθμιζόμενο κλειδί ή γαλλικό κλειδί πριν θέσετε το ηλεκτρικό εργαλείο σε λειτουργία.** Αν κάποιο κλειδί μείνει προσκολλημένο πάνω σε περιστρεφόμενο μέρος του ηλεκτρικού εργαλείου, μπορεί να προκληθεί προσωπικός τραυματισμός.

14. **Μην τεντώνετε υπερβολικά. Να στέκεστε πάντοτε σταθερά και ισορροπημένα.** Έτσι, θα έχετε καλύτερο έλεγχο του ηλεκτρικού εργαλείου σε απρόσμενες καταστάσεις.
15. **Να ντύσετε κατάλληλα. Μη φοράτε φαρδιά ρούχα ή κοσμήματα. Να κρατάτε τα μαλλιά, τα ρούχα και τα γάντια σας μακριά από κινούμενα μέρη.** Υπάρχει κίνδυνος να εμπλακούν τα φαρδιά ρούχα, τα κοσμήματα ή τα μακριά μαλλιά στα κινούμενα μέρη.
16. **Αν παρέχονται συσκευές για τη σύνδεση διατάξεων εξαγωγής και συλλογής σκόνης, βεβαιωθείτε ότι αυτές είναι συνδεδεμένες και χρησιμοποιούνται σωστά.** Η χρήση συλλογέα σκόνης μπορεί να προκαλέσει την ελάττωση των κινδύνων που οφείλονται στην σκόνη.

Χρήση και φροντίδα ηλεκτρικού εργαλείου

17. **Μην ασκείτε πίεση στο ηλεκτρικό εργαλείο. Να χρησιμοποιείτε το σωστό ηλεκτρικό εργαλείο για την εργασία σας.** Με το σωστό ηλεκτρικό εργαλείο θα πραγματοποιήσετε την εργασία καλύτερα και ασφαλέστερα, στο βαθμό για τον οποίο έχει σχεδιαστεί.
18. **Μη χρησιμοποιείτε το ηλεκτρικό εργαλείο αν ο διακόπτης δεν το ενεργοποιεί και δεν το απενεργοποιεί.** Κάθε ηλεκτρικό εργαλείο που δεν μπορείτε να ελέγξετε με το διακόπτη είναι επικίνδυνο και πρέπει να επισκευαστεί.
19. **Να αποσυνδέετε το φως από την πηγή τροφοδοσίας ή/και να βγάζετε την μπαταρία από το ηλεκτρικό εργαλείο πριν κάνετε οποιοδήποτε ρυθμίσεις ή αλλαγές εξαρτημάτων και πριν αποθηκεύετε τα ηλεκτρικά εργαλεία.** Τέτοια προληπτικά μέτρα ασφαλείας μειώνουν τον κίνδυνο τυχαίας ενεργοποίησης του ηλεκτρικού εργαλείου.
20. **Να αποθηκεύετε τα αδρανή ηλεκτρικά εργαλεία μακριά από τα παιδιά και να μην αφήνετε τα άτομα που δεν γνωρίζουν το ηλεκτρικό εργαλείο και αυτές τις οδηγίες να χειρίζονται το ηλεκτρικό εργαλείο.** Τα ηλεκτρικά εργαλεία αποτελούν κίνδυνο στα χέρια ανειδίκευτων χειριστών.
21. **Να συντηρείτε τα ηλεκτρικά εργαλεία. Ελέγξτε για έλλειψη ευθυγράμμισης ή εμπλοκής των κινούμενων μερών, το σπάσιμο των εξαρτημάτων ή για την οποιαδήποτε άλλη συνθήκη που μπορεί να επηρεάσει την λειτουργία του ηλεκτρικού εργαλείου. Αν το ηλεκτρικό εργαλείο υποστεί βλάβη, να φροντίζετε να επισκευαστεί πριν το χρησιμοποιήσετε.** Πολλά ατυχήματα προκαλούνται από ηλεκτρικά εργαλεία που δεν έχουν συντηρηθεί σωστά.
22. **Διατηρείτε τα κοπτικά εργαλεία αιχμηρά και καθαρά.** Τα κοπτικά εργαλεία που έχουν συντηρηθεί σωστά είναι λιγότερο πιθανό να εμπλακούν και πιο εύκολο να ελεγχθούν.
23. **Χρησιμοποιήστε τα ηλεκτρικά εργαλεία, τα αξεσουάρ και τις μύτες του εργαλείου κτλ σύμφωνα με αυτές τις οδηγίες, λαμβάνοντας υπόψη τις συνθήκες εργασίας και την εργασία που εκτελείται.** Αν χρησιμοποιείτε το ηλεκτρικό εργαλείο για λειτουργίες διαφορετικές από αυτές για

τις οποίες προορίζεται, μπορεί να προκληθεί κάποια επικίνδυνη κατάσταση.

Χρήση και φροντίδα εργαλείου μπαταρίας

24. **Επαναφορτίστε μόνο με τον φορτιστή που καθορίζετε από τον κατασκευαστή.** Ο φορτιστής που είναι κατάλληλος για έναν τύπο της μπαταρίας μπορεί να δημιουργήσει κίνδυνο πυρκαγιάς όταν χρησιμοποιείται με άλλη μπαταρία.
 25. **Χρησιμοποιήστε τα ηλεκτρικά εργαλεία μόνο με ειδικά καθορισμένες μπαταρίες.** Αν χρησιμοποιήσετε άλλες μπαταρίες μπορεί να παρουσιαστεί κίνδυνος για πρόκληση τραυματισμού ή πυρκαγιάς.
 26. **Όταν η μπαταρία δεν χρησιμοποιείται, φυλάξτε τη μακριά από άλλα μεταλλικά αντικείμενα, όπως συνδέτρες, νομίσματα, κλειδιά, καρφιά, βίδες ή άλλα μικρά μεταλλικά αντικείμενα, τα οποία μπορούν να δημιουργήσουν σύνδεση από τον ένα πόλο στον άλλο.** Η σύνδεση των ακροδεκτών της μπαταρίας μπορεί να προκαλέσει εγκαύματα ή πυρκαγιά.
 27. **Σε ακραίες συνθήκες μπορεί να πεταχτεί έξω το υγρό της μπαταρίας. Αποφύγετε την επαφή μαζί του. Εάν συμβεί τυχαία επαφή, ξεπλύνετε με νερό. Εάν το υγρό έρθει σε επαφή με τα μάτια, ζητήστε ιατρική βοήθεια.** Το υγρό που εκτινάχθηκε από την μπαταρία μπορεί να προκαλέσει ερεθισμό ή εγκαύματα.
- Σερβισ**
28. **Να φροντίζετε το σέρβις του ηλεκτρικού εργαλείου σας να γίνεται από αρμόδιο επαγγελματία χρησιμοποιώντας μόνο γνήσια ανταλλακτικά.** Έτσι θα είστε σίγουροι για τη διατήρηση της ασφάλειας του ηλεκτρικού εργαλείου.
 29. **Να ακολουθείτε τις οδηγίες για τη λίπανση και την αλλαγή των αξεσουάρ.**
 30. **Να διατηρείτε τα χερούλια στεγνά, καθαρά, χωρίς λάδι και γράσο.**

ΠΡΟΕΙΔΟΠΟΙΗΣΕΙΣ ΑΣΦΑΛΕΙΑΣ ΦΥΣΗΤΗΡΑ ΜΠΑΤΑΡΙΑΣ

GEB076-1

1. Πάντοτε να χρησιμοποιείτε προστατευτικά γυαλιά, ένα καπέλο και μια μάσκα όταν χρησιμοποιείτε τον φυσητήρα.
2. Ποτέ να μην κατευθύνετε το ακροφύσιο προς κανένα άτομο που βρίσκεται κοντά σας όταν χρησιμοποιείτε τον φυσητήρα.
3. Πάντοτε να χρησιμοποιείτε τον σάκο σκόνης κατά την συλλογή της σκόνης, των ρινισμάτων και των παρόμοιων υλικών.
4. Μην συλλέγετε αναμμένες στάχτες τσιγάρων, προσφάτως κομμένα μεταλλικά ξέσματα, βίδες και παρόμοια υλικά. Προειδοποίηση - Μπορεί να προκληθεί ηλεκτροπληξία εάν χρησιμοποιηθεί σε υγρές επιφάνειες. Μην το εκθέσετε στη βροχή. Αποθηκεύστε σε εσωτερικό χώρο.
5. Ποτέ να μην μπλοκάρτε την είσοδο αναρρόφησης και/ή την έξοδο του φυσητήρα. Η αυξημένη περιστροφή του μοτέρ μπορεί να

προκαλέσει το επικίνδυνο σπάσιμο της φτερωτής.

6. Ο φυσητήρας δεν προορίζεται για χρήση χωρίς επιτήρηση από μικρά παιδιά ή από ασθενή άτομα.
7. Τα μικρά παιδιά θα πρέπει να εποπτεύονται ώστε να διασφαλιστεί ότι δεν παίζουν με τον φυσητήρα.

ΦΥΛΑΞΤΕ ΑΥΤΕΣ ΤΙΣ ΟΔΗΓΙΕΣ.

⚠️ ΠΡΟΕΙΔΟΠΟΙΗΣΗ:

ΜΗΝ επιτρέψετε στη βολικότητα ή στην εξοικείωσή σας με το προϊόν (που αποκτήθηκε από επανειλημμένη χρήση) να αντικαταστήσει την αυστηρή προσήλωση στους κανόνες ασφάλειας του εν λόγω προϊόντος. Η ΛΑΝΘΑΣΜΕΝΗ ΧΡΗΣΗ ή η μη τήρηση των κανόνων ασφαλείας που διατυπώνονται στο παρόν εγχειρίδιο οδηγιών μπορεί να προκαλέσει σοβαρό τραυματισμό.

ΣΗΜΑΝΤΙΚΕΣ ΟΔΗΓΙΕΣ ΑΣΦΑΛΕΙΑΣ

ENC007-5

ΓΙΑ ΤΗΝ ΜΠΑΤΑΡΙΑ

1. Πριν χρησιμοποιήσετε την μπαταρία, διαβάστε όλες τις οδηγίες και τις ενδείξεις προφύλαξης στο (1) φορτιστή μπαταρίας, (2) την μπαταρία και (3) το προϊόν στο οποίο χρησιμοποιείται η μπαταρία.
2. Μην αποσυαρμολογείτε την μπαταρία.
3. Αν ο χρόνος λειτουργίας της μπαταρίας είναι υπερβολικά σύντομος, διακόψτε αμέσως τη λειτουργία. Αν συνεχίσετε, μπορεί να έχει ως αποτέλεσμα τον κίνδυνο υπερθέρμανσης, πιθανών εγκαυμάτων και ακόμη έκρηξης.
4. Αν μπει στα μάτια σας ηλεκτρολύτης, ξεπλύνετε με καθαρό νερό και αναζητήστε αμέσως ιατρική βοήθεια. Μπορεί να χάσετε την όρασή σας.
5. Μην βραχυκυκλώνετε την μπαταρία:
 - (1) Μην αγγίζετε τους ακροδέκτες με αγώγιμο υλικό.
 - (2) Μην αποθηκεύετε την μπαταρία σε δοχείο με άλλα μεταλλικά αντικείμενα, όπως καρφιά, νομίσματα, κτλ.
 - (3) Μην εκθέτετε την μπαταρία σε νερό ή βροχή. Αν βραχυκυκλωθεί η μπαταρία, μπορεί να προκληθεί μεγάλη ροή ηλεκτρικού ρεύματος, υπερθέρμανση, πιθανά εγκαύματα και ακόμη καταστροφή της μπαταρίας.
6. Μην αποθηκεύετε το εργαλείο και την μπαταρία σε μέρος όπου η θερμοκρασία μπορεί να φτάσει ή να ξεπεράσει τους 50°C (122°F).
7. Μην αποτεφρώνετε την μπαταρία ακόμη κι αν παρουσιάζει σοβαρή ζημιά ή είναι εντελώς φθαρμένη. Η μπαταρία μπορεί να εκραγεί σε φωτιά.
8. Να προσέχετε να μη σας πέσει η μπαταρία και να μη συγκρουστεί με κάποιο αντικείμενο.
9. Μην χρησιμοποιείτε μια μπαταρία που έχει υποστεί βλάβη.

ΦΥΛΑΞΤΕ ΑΥΤΕΣ ΤΙΣ ΟΔΗΓΙΕΣ.

Συμβουλές για τη διατήρηση της μέγιστης ζωής της μπαταρίας

1. **Να φορτίζετε την μπαταρία πριν αποφορτιστεί εντελώς.**
Πάντοτε να διακόπτετε τη λειτουργία του εργαλείου και να φορτίζετε την μπαταρία όταν παρατηρείται μειωμένη ισχύ του εργαλείου.
2. **Ποτέ μην επαναφορτίζετε μια πλήρως φορτισμένη μπαταρία.**
Αν υπερφορτίσετε την μπαταρία, μειώνεται η ωφέλιμη διάρκεια ζωής της.
3. **Να φορτίζετε την μπαταρία σε θερμοκρασία δωματίου, δηλαδή στους 10°C έως 40°C (50°F έως 104°F).**
Εάν η μπαταρία είναι θερμή, αφήστε τη να κρυώσει πριν τη φορτίσετε.

ΠΕΡΙΓΡΑΦΗ ΛΕΙΤΟΥΡΓΙΑΣ

ΠΡΟΣΟΧΗ:

- Να βεβαιώνετε πάντοτε ότι έχετε σβήσει το εργαλείο και έχετε βγάλει την μπαταρία πριν ρυθμίσετε ή ελέγξετε κάποια λειτουργία του εργαλείου.

Τοποθέτηση ή αφαίρεση της μπαταρίας (Εικ. 1)

- Πάντοτε να σβήνετε το εργαλείο πριν βάζετε ή βγάζετε την μπαταρία.
- Για να βγάλετε την μπαταρία, τραβήξτε την από το εργαλείο καθώς πιέζετε τα κουμπιά και στις δύο πλευρές της μπαταρίας.
- Για να τοποθετήσετε την μπαταρία, ευθυγραμμίστε τη γλωττίδα στην μπαταρία με την εγκοπή στο περίβλημα και ολισθήστε τη στη θέση της. Πάντοτε να την τοποθετείτε έως το τέρμα, δηλαδή έως όπου ασφαλίζει στη θέση και ακουστεί ένας χαρακτηριστικός ήχος («κλικ»). Σε αντίθετη περίπτωση, μπορεί να πέσει κατά λάθος από το εργαλείο και να τραυματίσει εσάς ή κάποιον παρευρισκόμενο.
- Να μη χρησιμοποιείτε δύναμη όταν τοποθετείτε την μπαταρία. Αν η μπαταρία δεν ολισθαίνει με ευκολία, δεν την εισήγατε σωστά.

Δράση διακόπτη

ΠΡΟΣΟΧΗ:

- Πριν βάζετε την μπαταρία στο εργαλείο, πάντοτε να ελέγχετε ότι η σκανδάλη-διακόπτης ενεργοποιείται κανονικά και επιστρέφει στη θέση OFF όταν την αφήνετε.

Για να ξεκινήσετε το εργαλείο, απλά πιέστε τη σκανδάλη-διακόπτη. Αν αυξήσετε την πίεση στη σκανδάλη-διακόπτη, αυξάνεται η ταχύτητα του εργαλείου. Για να σταματήσετε, αφήστε τη σκανδάλη-διακόπτη. (Εικ. 2)

Καντράν ρύθμισης όγκου αέρα

Ο όγκος του αέρα μπορεί να ρυθμιστεί σε κάθε μια από τις τρεις ρυθμίσεις περιστρέφοντας το καντράν ρύθμισης, με τη σκανδάλη-διακόπτη πλήρως πιεσμένη. Ανατρέξτε στον παρακάτω πίνακα για τη σχέση μεταξύ του αριθμού του καντράν και τον όγκο του αέρα.

Αριθμός στο καντράν	Όγκος αέρα
3	Υψηλός
2	Ενδιάμεσος
1	Χαμηλός

ΠΡΟΣΟΧΗ:

- Χρησιμοποιείτε το καντράν ρύθμισης μόνο αφότου η σκανδάλη-διακόπτης επιστρέψει στην ανενεργή θέση "OFF". Η περιστροφή του καντράν πριν την επιστροφή της σκανδάλης μπορεί να προκαλέσει βλάβη στο εργαλείο.
- Αν το εργαλείο λειτουργεί συνεχόμενα έως ότου αποφορτιστεί η μπαταρία, αφήστε το εργαλείο σβηστό για 15 λεπτά πριν συνεχίσετε την εργασία με καινούργια μπαταρία.

ΣΥΝΑΡΜΟΛΟΓΗΣΗ

Φύσημα

Για το φύσημα της σκόνης, συνδέστε το ακροφύσιο στην έξοδο του φυσητήρα, περιστρέφοντας την ασφάλεια στην θέση της. (Εικ. 3)

Αναρρόφηση σκόνης (Εικ. 4)

Για την αναρρόφηση της σκόνης, τοποθετήστε το ακροφύσιο στην είσοδο αναρρόφησης και τον σάκο σκόνης στην έξοδο του φυσητήρα. Όταν ο σάκος γεμίσει με σκόνη, αδειάστε το περιεχόμενο του σάκου σκόνης σε ένα κουβά για σκουπίδια ελευθερώνοντας τον συνδετήρα. (Εικ. 5)

ΠΡΟΣΟΧΗ:

- Αδειάστε το σάκο σκόνης πριν γεμίσει τελείως διαφορετικά η αναρροφητική δύναμη θα μειωθεί.

ΣΥΝΤΗΡΗΣΗ

ΠΡΟΣΟΧΗ:

- Να βεβαιώνετε πάντοτε ότι έχετε σβήσει το εργαλείο και έχετε βγάλει την μπαταρία πριν εκτελέσετε οποιαδήποτε εργασία ελέγχου ή συντήρησης σε αυτό.
- Μην χρησιμοποιήσετε βενζίνη, βενζόλη, διαλυτικό, αλκοόλη ή κάτι παρόμοιο. Μπορεί να προκληθεί αποχρωματισμός, παραμόρφωση ή ρωγμές.

Καθαρισμός

Κατά διαστήματα, σκουπίζετε το εξωτερικό του εργαλείου χρησιμοποιώντας ένα ύφασμα υγραμένο με σαπουνόνερο. Ποτέ να μην χρησιμοποιήσετε βενζίνη, διαλύτη, διαφορετικά μπορεί να συμβεί αποχρωματισμός ή ρωγμές. (Εικ. 6)

Για να διατηρείται η ΑΣΦΑΛΕΙΑ και η ΑΞΙΟΠΙΣΤΙΑ του προϊόντος, οι εργασίες επισκευής, καθώς και οποιαδήποτε άλλη εργασία συντήρησης ή ρύθμισης, θα πρέπει να εκτελούνται σε εξουσιοδοτημένα κέντρα εξυπηρέτησης της Makita, και πάντοτε με τη χρήση ανταλλακτικών της Makita.

ΑΞΕΣΟΥΑΡ

ΠΡΟΣΟΧΗ:

- Συνιστάται η χρήση των παρακάτω αξεσουάρ και εξαρτημάτων με το εργαλείο της Makita μόνο όπως

καθορίζεται στο παρόν εγχειρίδιο. Αν χρησιμοποιήσετε άλλα αξεσουάρ ή εξαρτήματα μπορεί να παρουσιαστεί κίνδυνος για πρόκληση ατομικού τραυματισμού. Να χρησιμοποιείτε τα αξεσουάρ και τα εξαρτήματα μόνο για το σκοπό για τον οποίο προορίζονται.

Αν χρειάζεστε κάποια βοήθεια ή περισσότερες πληροφορίες σχετικά με τα αξεσουάρ αυτά, απευθυνθείτε στο πλησιέστερο κέντρο εξυπηρέτησης της Makita.

- Ακροφύσιο
- Σάκος σκόνης
- Γωνιακό ακροφύσιο
- Ευθύς σωλήνας
- Εύκαμπτος σωλήνας
- Ένωση
- Διάφοροι τύποι γνήσιων μπαταριών και φορτιστών της Makita

Για Ευρωπαϊκές χώρες μόνο
EK – Δήλωση συμμόρφωσης
Η Εταιρία Makita ως υπεύθυνος κατασκευαστής,
δηλώνει ότι το παρακάτω μηχάνημα ή μηχανήματα
της Makita:

Όνομασία Μηχανήματος:
 Φυσήθρας με μπαταρία
 Αρ. Μοντέλου/ Τύπος: BUB142, BUB182
 αποτελούν παραγωγή σε σειρά και

Συμμορφώνονται με την ακόλουθη Ευρωπαϊκή Οδηγία:

2006/42/EK

Και κατασκευάζονται σύμφωνα με τα παρακάτω πρότυπα ή τυποποιημένα έγγραφα:

EN60745

Ο εξουσιοδοτημένος μας αντιπρόσωπος στην Ευρώπη διατηρεί τα τεχνικά έγγραφα, ο οποίος είναι:

Makita International Europe Ltd.
 Michigan Drive, Tongwell,
 Milton Keynes, MK15 8JD, England

Θόρυβος

ENG905-1

Το σύνθετος σταθμισμένο επίπεδο θορύβου που έχει καθοριστεί σύμφωνα με την EN60745:

Μοντέλο BUB142

Επίπεδο ηχητικής πίεσης (L_{pA}): 86 dB (A)

Επίπεδο ηχητικής ισχύος (L_{WA}): 97 dB (A)

Αβεβαιότητα (K): 3 dB (A)

Μοντέλο BUB182

Επίπεδο ηχητικής πίεσης (L_{pA}): 83 dB (A)

Επίπεδο ηχητικής ισχύος (L_{WA}): 94 dB (A)

Αβεβαιότητα (K): 3 dB (A)

Να φοράτε ωτοασπίδες.

30. 1. 2009



Tomoyasu Kato

Διευθυντής

Makita Corporation

3-11-8, Sumiyoshi-cho,

Anjo, Aichi, JAPAN

Δόνηση

ENG900-1

Η συνολική τιμή δόνησης (διανυσματικό άθροισμα τριών αξόνων) που έχει καθοριστεί σύμφωνα με την EN60745:

Κατάσταση λειτουργίας: Λειτουργία χωρίς φορτίο

Εκπομπή δόνησης (a_{h1}): 2,5 m/s² ή λιγότερο

Αβεβαιότητα (K): 1,5 m/s²

ENG901-1

- Η δηλωθείσα τιμή των παραγομένων κραδασμών έχει καταμετρηθεί σύμφωνα με την τυποποιημένη μέθοδο δοκιμασίας και μπορεί να χρησιμοποιηθεί για την σύγκριση ενός εργαλείου με ένα άλλο.
- Η δηλωθείσα τιμή των παραγομένων κραδασμών μπορεί επίσης να χρησιμοποιηθεί για μια προκαταρκτική αξιολόγηση της έκθεσης στους κραδασμούς.

ΠΡΟΕΙΔΟΠΟΙΗΣΗ:

- Η εκπομπή κραδασμών κατά τη διάρκεια της πραγματικής χρήσης του ηλεκτρικού εργαλείου μπορεί να διαφέρει από τη δηλωθείσα τιμή των εκπομπών, ανάλογα με τον τρόπο με τον οποίο χρησιμοποιείται το εργαλείο.
- Φροντίστε να λάβετε τα μέτρα ασφαλείας που απαιτούνται για την προστασία του χρήστη που βασίζονται σε μια εκτίμηση της έκθεσης σε πραγματικές συνθήκες χρήσης (λαμβάνοντας υπόψη όλα τα μέρη του κύκλου λειτουργίας, όπως είναι οι περιπτώσεις κατά τις οποίες το εργαλείο είναι απενεργοποιημένο και όταν λειτουργεί στο ρελαντί επιπροσθέτως του χρόνου κατά τον οποίο το εργαλείο βρίσκεται σε χρήση).

TÜRKÇE (Orijinal Talimatlar)

Genel görünüm açıklamaları

- | | | |
|------------------|---------------------------------|-----------------|
| 1. Kırmızı kısım | 5. Hava debisi ayarlama düğmesi | 9. Toz torbası |
| 2. Düğme | 6. Açma/kapama düğmesi | 10. Emme girişi |
| 3. Akü | 7. Nozül | 11. Sıkıştırıcı |
| 4. Göstergeler | 8. Üfleyci çıkışı | |

ÖZELLİKLER

Model	BUB142	BUB182
Kapasiteler	Hava basıncı (su sütünü)	0 - 550 mm
	Hava debisi	0 – 2,6 m ³ /dak.
Yüksüz hız (dak. ⁻¹)		0 – 18.000
Toplam uzunluk		509 mm
Net ağırlık		1,6 kg
Anma gerilimi		D.C. 14,4 V
		1,7 kg
		D.C. 18 V

- Sürekli yapılan araştırma ve geliştirmelerden dolayı, burada belirtilen özellikler önceden bildirilmeksizin değiştirilebilir.
- Özellikler ve akü ülkeye göre farklılıklar gösterebilir.
- EPTA Prosedürü 01/2003 uyarınca ağırlık (akü dahil)

Simgeler

END004-4

Makine için kullanılan simgeler aşağıda gösterilmiştir. Makineyi kullanmaya başlamadan önce bu simgelerin ne anlama geldiğini öğrenin.



... Kullanım kılavuzunu okuyun.



Cd
Ni-MH
Li-Ion

Sadece AB ülkeleri için

Elektrik cihazları ve pilleri ev çöpüyle birlikte atmayın!

Elektrikli ve elektronik cihaz atıklarına ilişkin 2002/96/EC sayılı ve piller ve aküler, atık piller ve aküler ve ulusal kanunlar uyarınca ilgili uygulamalarına ilişkin 2006/66/EC sayılı Avrupa Direktifleri uyarınca kullanım ömrünü tamamlayan elektrikli cihazlar ve piller mutlaka ayrı olarak toplanmalı ve çevre şartlarına uygun bir geri dönüşüm tesisine gönderilmelidir.

Amaçlanan kullanım

BNE018-1

Alet tozların üflenmesi için öngörülmüştür.

Genel Elektrikli Aletler Güvenlik Uyarıları

GEA006-2

⚠ UYARI Tüm güvenlik uyarılarını ve tüm talimatları okuyun. Verilen uyarılara ve talimatlara uyulmaması elektrik çarpmasına, yangına ve/veya ciddi yaralanmalara yol açabilir.

Tüm uyarıları ve talimatları ileride başvurmak üzere saklayın.

Aşağıda sıralanan uyarılarda kullanılan "elektrikli alet" terimi, prizden çalışan (kordonlu) elektrikli alet ya da kendi aküsü ile çalışan (kordsuz) elektrikli alet anlamındadır.

Çalışma alanı güvenliği

1. **Çalışma alanını temiz tutun ve uygun şekilde aydınlatın.** Karışık veya karanlık çalışma alanları kazalara davetiye çıkarır.
2. **Elektrikli aletleri örneğin tutuşabilir sıvıların, gazların ya da tozların bulunduğu ortamlar gibi patlayıcı ortamlarda kullanmayın.** Elektrikli aletler tozları ya da gazları tutuşturabilecek kıvılcımlar çıkarır.
3. **Elektrikli aletleri kullanırken çocukları ve diğer kişileri uzak tutun.** Dikkatinizin başka tarafa kayması kontrolü kaybetmenize neden olabilir.

Elektrik güvenliği

4. **Elektrikli aletlerin fişleri, kullanılacak prize uygun olmalıdır.** Fişlerde kesinlikle herhangi bir değişiklik yapmayın. Topraklı elektrikli aletler ile fiş adaptörü kullanmayın. Değişiklik yapılmamış fişler ve bunlara uygun prizler elektrik çarpması riskini azaltır.
5. **Borular, radyatörler, ocaklar ve buzdolapları gibi topraklı yüzeylere temas etmekten kaçının.** Vücudunuz toprak hattıyla temas ettiğinde elektrik çarpması riski artar.
6. **Elektrikli aletleri yağmura ve ıslak koşullara maruz bırakmayın.** Bir elektrikli aletin içine su girmesi elektrik çarpması riskini artırır.
7. **Kordonu amacı dışında kullanmayın.** Elektrikli aleti taşımak, çekmek ya da fişten çıkarmak için kesinlikle kordonunu kullanmayın. Kordonu ısıdan, yağdan, keskin kenarlardan ve hareketli parçalardan uzak tutun. Hasar görmüş ya da dolaşmış kordonlar elektrik çarpması riskini artırır.
8. **Elektrikli aletleri açık havada kullanırken, açık havaya uygun bir uzatma kablosu kullanın.** Açık havaya uygun bir uzatma kablosunun kullanılması elektrik çarpması riskini azaltır.
9. **Elektrikli bir aleti ıslak bir ortamda kullanmanız kaçınılmazsa, topraklı hatalı devre kesici (GFCI) korumalı bir alet kullanın.** GFCI kullanımı elektrik çarpması riskini azaltır.

Kişisel güvenlik

10. **Bir elektrikli aleti kullanırken dikkatli olun, ne yaptığınıza dikkat edin ve sağduyunuzu kullanın. Yorgunken veya uyuşturucu maddelerin, alkolün ya da ilaçların etkisi altındayken bir elektrikli alet kullanmayın.** Elektrikli aletleri kullanırken bir anlık dikkatsizlik ciddi yaralanmalara yol açabilir.
11. **Kişisel koruyucu donanım kullanın. Mutlaka koruyucu gözlük takın.** Uygun koşullarda kullanılan toz maskeleri, altı kaymayan koruyucu ayakkabılar, baretler ve koruyucu kulaklık gibi koruyucu ekipmanlar yaralanmaları azaltır.
12. **Aletin yanlışlıkla çalışmasını önleyin. Elinize alırken veya taşıırken, aleti elektrik prizine ve/veya bataryaya bağlamadan önce açma-kapatma şalterinin kapalı konumda olduğundan emin olun.** Elektrikli aletleri parmağınızı açma-kapatma şalterine koyarak taşımanız ya da şalteri açık konumda olan aletlere elektrik verilmesi kazalara davetiye çıkarır.
13. **Elektrikli aleti çalıştırmadan önce varsa üstündeki ayar anahtarını çıkarın.** Elektrikli aletin hareketli bir parçasına takılı kalan anahtarlar yaralanmalara yol açabilir.
14. **Fazla ileriye uzanmaya çalışmayın. Her zaman yere sağlam basın ve dengeyi koruyun.** Bu, beklenmedik durumlarda elektrikli aleti daha iyi kontrol etmenizi sağlar.
15. **İşe uygun giyinin. Bol giysiler ve sallanan takılar kullanmayın. Saçlarınızı, giysilerinizi ve eldivenlerinizi hareketli parçalardan uzak tutun.** Bol giysiler, takılar ve uzun saçlar hareketli parçalara kapılabilir.
16. **Toz çekme ve toplama özelliklerine sahip cihazların bağlanması mümkünse, bunların bağlanıp gerektiği şekilde kullanılmasını sağlayın.** Toz toplama araçlarının kullanılması tozdan kaynaklanan tehlikeleri önler.

Elektrikli aletlerin kullanımı ve bakımı

17. **Elektrikli aleti zorlamayın. Uygulamanız için doğru olan elektrikli aleti kullanın.** Doğru aletin seçilmesi işin hedeflenen hızda, daha iyi ve daha güvenli bir şekilde yapılmasını sağlar.
18. **Açma-kapatma düğmesi çalışmayan elektrikli aletleri kullanmayın.** Açma-kapatma düğmesi kontrol edilemeyen bir elektrikli alet tehlikelidir ve mutlaka onarılmalıdır.
19. **Herhangi bir ayarlama yapmadan, aksesuarları değiştirmeden ve elektrikli aletleri kaldırmadan önce aletin fişini prizden çekin ve/veya bataryalarını çıkarın.** Bu önleyici güvenlik önlemleri, elektrikli aletlerin kazayla çalışma riskini azaltır.
20. **Kullanılmayan elektrikli aletleri çocukların ulaşamayacağı yerlerde saklayın ve elektrikli aleti tanımayan ya da bu talimatları bilmeyen kişilerin aleti kullanımına izin vermeyin.** Elektrikli aletlerin eğitimsiz kişiler tarafından kullanılması tehlikelidir.
21. **Elektrikli aletlerin bakımını düzenli olarak yapın. Hareketli parçalardaki ayar bozukluklarını, tutuklukları, kırık parçaları ve elektrikli aletin işleyişini etkileyebilecek diğer tüm koşulları kontrol edin. Alet hasarlıysa kullanmadan önce mutlaka tamir ettirin.** Birçok kaza elektrikli aletlerin bakımının uygun şekilde yapılmamasından kaynaklanmaktadır.

22. **Bıçakları temiz ve keskin tutun.** Kesici kenarları keskin ve bakımı iyi yapılmış kesme elemanları, daha az takılma yapar ve daha kolay kontrol edilir.
23. **Elektrikli aleti, aksesuarları ve alet uçlarını, vs., çalışma koşullarını ve yapılacak işi de göz önünde tutarak mutlaka bu talimatlara göre kullanın.** Elektrikli aletin kullanım amacı dışında kullanılması tehlikeli durumlara yol açabilir.

Akülü aletlerin kullanımı ve bakımı

24. **Yalnızca üretici tarafından önerilen şarj cihazlarını kullanın.** Belirli bir akü tipi için uygun olan şarj cihazı, başka bir aküyle kullanıldığında yangın riski yaratabilir.
25. **Elektrikli aletleri yalnızca özel olarak belirtilen akülerle kullanın.** Farklı akülerin kullanılması yaralanma ve yangın riskini artırır.
26. **Kullanmadığınız zamanlarda aküyü ataç, metal para, anahtar, çivi, vida gibi akü kutuplarının birbirine temas etmesine neden olabilecek metal nesnelere uzak tutun.** Kutupların bu şekilde kısa devre yapması, yanıklara veya yangına yol açabilir.
27. **Akünün hasar görmesi durumunda aküden sızan sıvıyla kesinlikle temas etmeyin. Yanlışlıkla sıvıyla temas etmeniz durumunda, ilgili bölgeyi bol su ile yıkayın. Akü sıvısı gözünüze temas ederse, bu önlemlere ek olarak derhal bir doktora başvurun.** Aküden sızan sıvılar tahrişe ve yanıklara yol açabilir.

Servis

28. **Elektrikli aletinizin bakım ve onarımını yetkili servis elemanlarına yaptırın ve yalnızca orijinal parçaların kullanılmasına dikkat edin.** Böylece elektrikli aletin güvenliğini koruyabilirsiniz.
29. **Yağlama ve aksesuar değiştirmeye ilişkin talimatlara uygun hareket edin.**
30. **Aletin saplarını mutlaka kuru ve temiz tutun ve saplara yağ veya gres bulaşmasını önleyin.**

AKÜLÜ ÜFLEYİCİYLE İLGİLİ GÜVENLİK UYARILARI

GEB076-1

1. **Üfleyiciyi kullanırken her zaman koruyucu gözlük, şapka ve maske kullanın.**
2. **Üfleyiciyi kullanırken nozülü kesinlikle yakındaki kişilere doğru tutmayın.**
3. **Toz, talaş vb. malzemeleri temizlerken mutlaka toz torbası kullanın.**
4. **İçin için yanmaya devam eden sigara küllerini, kısa bir süre önce kesilmiş metal çapaklarını, vidaları, çivileri ve benzeri malzemeleri temizlemeye çalışmayın. Uyarı - Islak yüzeylerde kullanılması durumunda elektrik çarpmasına neden olabilir. Yağmura maruz kalmasını engelleyin. Kapalı bir yerde muhafaza edin.**
5. **Emiş girişini ve/veya üfleyici çıkışı kesinlikle tıkamayın. Motor devrinin artması tehlikeli faz arızalarına neden olabilir.**
6. **Üfleyici uygun bir kişinin kontrolü dışında küçük çocuklar veya güçsüz kişilerin kullanımı için tasarlanmamıştır.**
7. **Küçük çocuklar üfleyici ile oynamaması için uyarılmalıdır.**

BU TALİMATLARI SAKLAYIN.

⚠️ UYARI:

Ürünü kullanırken defalarca kullanmanın getirdiği rahatlık ve tanıdıklık duygusunun, güvenlik kurallarına sıkı sıkıya bağlı kalmanızı önlemesine İZİN VERMEYİN. YANLIŞ KULLANIM veya bu kullanım kılavuzunda belirtilen güvenlik kurallarına uyulmaması ciddi yaralanmalara neden olabilir.

ÖNEMLİ GÜVENLİK TALİMATLARI

ENC007-5

AKÜ İÇİN

1. Aküyü kullanmadan önce (1) akü şarj cihazı, (2) akü ve (3) akü kullanımına ilişkin tüm talimatları ve uyarıları okuyun.
2. Aküyü açmaya çalışmayın.
3. Çalışma süresinde önemli bir kısılma gözlemediğinizde hemen çalışmayı bırakın. Bu durum aşırı ısınmaya, yangına ve hatta patlamaya yol açabilir.
4. Elektrolit (akü sıvısı) gözlerinize temas ederse, bol temiz suyla yıkayın ve derhal bir doktora başvurun. Elektrolit körlüğe yol açabilir.
5. Akünün kısa devre yapmasını önleyin:
 - (1) Temas yüzeylerine herhangi bir iletken malzemeyle dokunmayın.
 - (2) Aküyü, çivi, madeni para vb. metal nesnelere bulunduğu bir yerde saklamayın.
 - (3) Aleti suya veya yağmura maruz bırakmayın. Aküde oluşan kısa devre büyük bir elektrik akımına, aşırı ısınmaya, yangına ve aletin bozulmasına yol açabilir.
6. Aleti ve aküyü 50°C (122°F) sıcaklığa ulaşabilecek veya bu değeri aşabilecek ortamlarda saklamayın.
7. Önemli ölçüde hasar görmüş veya tümüyle tükenmiş olsa da aküyü kesinlikle yakarak imha etmeye çalışmayın. Akü ateşe atıldığında patlayabilir.
8. Akünün düşmemesine veya darbe almamasına dikkat edin.
9. Bozuk bir pil kullanmayın.

BU TALİMATLARI SAKLAYIN.

Akü ömrünün uzaması için öneriler

1. Aky tamamen boşalmış beklemeden arj edin. Aletin çalışma gücünde bir azalma gördüğünüzde, mutlaka çalışmayı bırakın ve aküyü şarj edin.
2. Tam olarak şarj edilmiş aküyü tekrar şarj etmeyin. Aşırı şarj etme akünün ömrünü kısaltır.
3. Aküyü 10°C - 40°C (50°F - 104°F) değerlerini aşmayan oda sıcaklığında şarj edin. Akü ısınmışsa, şarj etmeden önce soğumasını bekleyin.

İŞLEVSEL TANIMLAR

DİKKAT:

- Alet üzerinde ayarlama ya da başka kontrol işlemleri yapmadan önce aletin kapalı ve akünün çıkartılmış olduğundan daima emin olun.

Aküyü takma veya sökme (Şekil 1)

- Aküyü takmadan ya da çıkarmadan önce aleti mutlaka kapalı konuma getirin.
- Aküyü çıkarmak için akünün her iki tarafında bulunan düğmelere basarak aküyü çekin.
- Aküyü takmak için aküdeki dili alet yuvasındaki girintiyle aynı hizaya getirin ve aküyü iterek yerine oturmasını sağlayın. Akünün tam yerine oturduğunu klik sesinden anlayabilirsiniz. Aksi takdirde, akü aletten kayıp düşebilir ve operatörün veya çevredeki kişilerin yaralanmasına neden olabilir.
- Aküyü takarken güç kullanmayın. Akünün alete rahat bir şekilde takılamaması, akünün yanlış takıldığını gösterir.

Açma/kapatma

DİKKAT:

- Aküyü alete takmadan önce, tetiğin kusursuz çalışıp çalışmadığını ve tetik bırakıldığında "OFF" (kapalı) konumuna dönüp dönmediğini daima kontrol edin. Makineyi çalıştırmak için sadece açma/kapama düğmesine basmanız yeterlidir. Aletin hızı, açma/kapatma düğmesine uyguladığınız basınç ile doğru orantılı bir şekilde artar. Makineyi durdurmak için açma/kapama düğmesini bırakın. (Şekil 2)

Hava debisi ayarlama düğmesi

Hava debisini, açma/kapama düğmesine sonuna kadar basarken ayarlama düğmesini çevirerek üç ayardan herhangi birine ayarlayabilirsiniz. Ayarlama düğmesi üzerindeki rakamlarla hava debisi arasındaki ilişkiyi öğrenmek için aşağıdaki tabloya bakın.

Ayarlama düğmesindeki rakam	Hava debisi
3	Yüksek
2	Orta
1	Alçak

DİKKAT:

- Ayarlama düğmesini yalnızca açma/kapama anahtarı "OFF" (Kapalı) konumuna döndükten sonra kullanın. Bu anahtar dönmeye önce ayarlama düğmesinin çevrilmesi alete zarar verebilir.
- Aleti aküsü boşalana kadar sürekli biçimde çalıştırdığınız durumlarda, yeni bir aküyle çalışmaya devam etmeden önce aleti 15 dakika dinlendirin.

KURULUM

Üfleme

Toz üfleme işlemi için nozülü üfleyci çıkışına takın ve saat yönünde çevirerek yerine kilitlemesini sağlayın. (Şekil 3)

Toz emme (Şekil 4)

Toz emme için nozülü emme girişine ve toz torbasını üfleyci çıkışına takın.

Torba tozla dolunca, sıkıştırıcıyı serbest bırakıp toz torbasının içindekileri çöp tenekesine boşaltın. (Şekil 5)

DİKKAT:

- Toz torbası tam olarak dolmadan boşaltın; aksi takdirde, emme gücü zayıflar.

BAKIM**DİKKAT:**

- Alet üzerinde kontrol veya bakım işlemlerine başlamadan önce aletin kapalı ve akünün çıkartılmış olduğundan daima emin olun.
- Kesinlikle gazolin, benzin, tiner, alkol veya benzeri bir madde kullanmayın. Aksi takdirde renk bozulması, deformasyon veya çatlaklar meydana gelebilir.

Temizleme

Makinenin dışını arada sırada sabunlu bezle silin. Benzin, tiner veya benzeri maddeleri asla kullanmayın; aksi takdirde, renk solması ve/veya çatlaklar meydana gelebilir. (Şekil 6)

Ürünün EMNİYETLİ ve GÜVENİLİR durumda kalmasını sağlamak için tüm onarımlar, bakım ve ayarlar Makita yetkili servisleri ya da fabrika servis merkezleri tarafından Makita yedek parçaları kullanılarak yapılmalıdır.

AKSESUARLAR**DİKKAT:**

- Bu kullanım kılavuzunda tanıtılan Makita aletiyle aşağıdaki aksesuarların ve parçaların kullanılması önerilir. Bunların dışında başka aksesuarların veya parçaların kullanılması yaralanmalara yol açabilir. Aksesuarlar ve parçalar doğru şekilde ve öngörüldükleri işlevler için kullanılmalıdır.

Aksesuarlara ilişkin daha ayrıntılı bilgi almak için size en yakın Makita servis merkezine başvurabilirsiniz.

- Nozül
- Toz torbası
- Köşe nozülü
- Düz boru
- Esnek hortum
- Bağlantı
- Çeşitli tip orijinal Makita aküleri ve şarj cihazları

Gürültü

ENG905-1

EN60745 uyarınca belirlenen tipik A ağırlıklı gürültü seviyesi:

BUB142 Modeli

Ses basıncı seviyesi (L_{pA}): 86 dB (A)
Ses gücü seviyesi (L_{WA}): 97 dB (A)
Belirsizlik (K): 3 dB (A)

BUB182 Modeli

Ses basıncı seviyesi (L_{pA}): 83 dB (A)
Ses gücü seviyesi (L_{WA}): 94 dB (A)
Belirsizlik (K): 3 dB (A)

Koruyucu kulaklık kullanın.**Titreşim**

ENG900-1

EN60745'e göre belirlenen toplam titreşim değeri (çuk eksenli vektörel toplam):

Çalışma modu: yüksüz çalışma
Titreşim emisyonu (a_{h1}): 2,5 m/s² veya daha düşük
Belirsizlik (K): 1,5 m/s²

- Belirtilen titreşim emisyonu değeri, standart test yöntemine göre ölçülmüştür ve makinenin diğer makinelerle karşılaştırılması için kullanılabilir.
- Belirtilen titreşim emisyonu değeri ayrıca maruziyetin ön değerlendirilmesinde de kullanılabilir.

⚠ UYARI:

- Elektrikli aletin gerçek kullanımı sırasında ortaya çıkacak titreşim emisyonu, aletin kullanıma şekline bağlı olarak belirtilen emisyon değerinden farklı olabilir.
- Gerçek kullanım koşullarındaki maruziyeti tahmin ederek (örneğin, aletin açılma süresine ek olarak kapalı konuma getirildiği ve rölatide çalıştığı süreler gibi çalışma döngüsünün tüm bileşenlerini dikkate alın), kullanıcıyı korumak için gerekli güvenlik önlemlerinin alındığından emin olun.

Yalnızca Avrupa ülkeleri için

ENH101-14

AT Uygunluk Beyanı

Makita Corporation, sorumlu üretici firma olarak, Makita marka makine/makineler ile ilgili şu hususları beyan eder:

Makinenin Adı:

Kablosuz Üfleyci

Model Numarası / Tipi: BUB142, BUB182

seri üretimdir ve

Şu Avrupa Yönergelerine uygundur:

2006/42/EC

Ve şu standartlara veya standartlaştırılmış belgelere uygun olarak üretilmiştir:

EN60745

Teknik dokümanlar aşağıda bilgileri verilen Avrupa'daki yetkili temsilcimiz tarafından saklanmaktadır:

Makita International Europe Ltd.

Michigan Drive, Tongwell,

Milton Keynes, MK15 8JD, İngiltere

30. 1. 2009



Tomoyasu Kato

Müdür

Makita Corporation

3-11-8, Sumiyoshi-cho,

Anjo, Aichi, JAPAN

POLSKI (Oryginalna instrukcja)

Objaśnienia do widoku ogólnego

- | | | |
|---------------------|---|---------------------|
| 1. Czerwony element | 5. Pokrętko regulacji objętości powietrza | 8. Wylot dmuchawy |
| 2. Przycisk | 6. Język spustowy przełącznika | 9. Worek na pył |
| 3. Akumulator | 7. Dysza | 10. Otwór zasysania |
| 4. Wskaźniki | | 11. Łącznik |

DANE TECHNICZNE

Model		BUB142	BUB182
Wydajność	Ciśnienie powietrza (słupek wody)	0 - 550 mm	
	Objętość powietrza	0 - 2,6 m ³ /min	
Prędkość bez obciążenia (min. ⁻¹)		0 - 18.000	
Całkowita długość		509 mm	
Ciężar netto		1,6 kg	1,7 kg
Napięcie znamionowe		Stałe 14,4 V	Stałe 18 V

- Ze względu na stale prowadzone prace badawczo-rozwojowe podane tu dane techniczne mogą ulec zmianie bez powiadomienia.
- Dane techniczne i zastosowany akumulator mogą się różnić w poszczególnych krajach.
- Masa narzędzia z akumulatorem obliczona zgodnie z procedurą EPTA 01/2003

Symbole

END004-4

Poniżej przedstawiono symbole stosowane w przypadku omawianego narzędzia.

Przed rozpoczęciem jego użytkowania należy się upewnić, że są one zrozumiałe.



... Należy przeczytać instrukcję obsługi.



..... Dotyczy tylko państw UE

Nie wyrzucaj urządzeń elektrycznych lub akumulatorów wraz z odpadami z gospodarstwa domowego! Zgodnie z Europejską Dyrektywą 2002/96/WE w sprawie zużytego sprzętu elektrotechnicznego i elektronicznego oraz 2006/66/WE dotyczącą akumulatorów i baterii oraz zużytych akumulatorów i baterii oraz dostosowaniem ich do prawa krajowego, zużyte urządzenia elektryczne należy posegregować i zutylizować w sposób przyjazny dla środowiska.

Przeznaczenie

BNE018-1

Narzędzie to jest przeznaczone do wydmuchiwania pyłu.

Ogólne zasady bezpieczeństwa dotyczące elektronarzędzi

GEA006-2

⚠ OSTRZEŻENIE! Przeczytać wszystkie zasady bezpieczeństwa i zalecenia. Niezastosowanie się do wspomnianych zasad i zaleceń może doprowadzić do porażenia prądem elektrycznym, pożaru bądź poważnego urazu.

Wszystkie zasady i zalecenia należy zachować do wglądu na przyszłość.

Termin "elektronarzędzie", występujący w wymienionych tu ostrzeżeniach, odnosi się do elektronarzędzia zasilanego z sieci energetycznej (z przewodem zasilającym) lub do elektronarzędzia akumulatorowego (bez przewodu zasilającego).

Bezpieczeństwo w miejscu pracy

1. **W miejscu pracy należy utrzymywać czystość i zadbać o dobre oświetlenie.** Nieporządek bądź słabe oświetlenie sprzyjają wypadkom.
2. **Elektronarzędzi nie wolno używać w miejscach zagrożonych wybuchem, na przykład w obecności łatwopalnych cieczy, gazów lub pyłów.** Elektronarzędzia wytwarzają iskry, które mogą spowodować zapalenie się pyłu lub oparów.
3. **Nie należy uruchamiać elektronarzędzia, gdy w pobliżu znajdują się dzieci lub osoby postronne.** Chwila nieuwagi może spowodować utratę kontroli.

Zasady bezpieczeństwa dotyczące urządzeń elektrycznych

4. **Wtyczka przewodu zasilającego elektronarzędzia musi pasować do gniazda elektrycznego. Nie wolno dokonywać żadnych przeróbek wtyczki.** W przypadku elektronarzędzi wymagających uziemienia nie wolno stosować przejściówek. Oryginalne wtyczki i właściwie dopasowane gniazda zmniejszają ryzyko porażenia prądem elektrycznym.
5. **Należy unikać kontaktu ciała z przedmiotami uziemionymi, takimi jak rury, grzejniki, kuchenki, czy lodówki.** Gdy ciało jest uziemione, wzrasta ryzyko porażenia prądem elektrycznym.

6. **Elektronarzędzia należy chronić przed deszczem i wilgocią.** Woda, która dostanie się do środka, zwiększa ryzyko porażenia prądem elektrycznym.
7. **Przewodu zasilającego należy używać wyłącznie zgodnie z jego przeznaczeniem. Nie wolno wykorzystywać go do przenoszenia lub przyciągania narzędzia, ani do wyciągania wtyczki z gniazda elektrycznego.** Przewód należy trzymać z dala od źródeł ciepła, olejów, ostrych krawędzi lub ruchomych części. Uszkodzone lub poplątane przewody zasilające zwiększają ryzyko porażenia prądem elektrycznym.
8. **W przypadku eksploatacji elektronarzędzia na otwartym powietrzu należy korzystać z przedłużacza do zastosowań zewnętrznych.** Tylko taki przedłużacz zmniejsza ryzyko porażenia prądem elektrycznym.
9. **Jeżeli zachodzi potrzeba użycia elektronarzędzia w wilgotnym miejscu, należy korzystać z obwodu zasilającego zabezpieczonego wyłącznikiem ziemnozwarciowym (GFCI).** Używanie wyłącznika ziemnozwarciowego zmniejsza ryzyko porażenia prądem elektrycznym.

Bezpieczeństwo osobiste

10. **Podczas pracy z elektronarzędziem zachować czujność, obserwować wykonywane operacje i kierować się zdrowym rozsądkiem. Nie wolno używać elektronarzędzia, gdy jest się zmęczonym albo pod wpływem narkotyków, alkoholu, bądź leków.** Chwila nieuwagi podczas pracy może spowodować poważny wypadek.
 11. **Używać sprzętu ochrony osobistej. Zawsze zakładać okulary ochronne.** Odpowiedni sprzęt ochronny, taki jak maska przeciwpyłowa, buty antypoślizgowe, kask, czy ochraniacze słuchu, dostosowany do panujących warunków, zmniejsza ryzyko obrażeń.
 12. **Unikać przypadkowego uruchomienia. Przed podłączeniem do źródła zasilania i/lub akumulatora, podniesieniem lub przeniesieniem narzędzia należy sprawdzić, czy przełącznik znajduje się w pozycji wyłączenia.** Przenoszenie elektronarzędzi z palcem na przełączniku lub podłączanie przewodu zasilającego przy włączonym przełączniku grozi wypadkiem.
 13. **Przed włączeniem elektronarzędzia należy usunąć wykorzystywane do regulacji klucze.** Klucz pozostawiony na obracającym się elemencie elektronarzędzia może spowodować poważne obrażenia ciała.
 14. **Nie wolno sięgać narzędziem zbyt daleko. Należy stać pewnie, aby nie stracić równowagi.** Taka postawa gwarantuje lepsze opanowanie narzędzia w niespodziewanych sytuacjach.
 15. **Ubranie powinno być właściwie dobrane. Nie wolno nosić luźnych części garderoby ani biżuterii. Włosy, ubranie i rękawice trzymać z dala od ruchomych części.** Luźne części ubrania, biżuteria lub długie włosy mogą zostać pochwycone przez ruchome części.
 16. **Jeżeli narzędzie jest przystosowane do podłączenia urządzeń do odsysania lub odbierania pyłu, należy upewnić się, że są one prawidłowo podłączone i właściwie używane.** Korzystanie z urządzeń do odbierania pyłu zmniejsza poziom zagrożeń wynikających z zapylenia.
- Użytkowanie elektronarzędzi i dbałość o nie**
17. **Elektronarzędzi nie wolno przeciążać. Używać tylko właściwego narzędzia przeznaczonego do danego zastosowania.** Pozwoli ono wykonać pracę lepiej i bezpieczniej, w przewidzianym do tego czasie.
 18. **Nie wolno używać elektronarzędzia z niedziałającym prawidłowo przełącznikiem zasilania.** Narzędzia z uszkodzonym przełącznikiem są niebezpieczne i wymagają naprawy.
 19. **Przed przystąpieniem do przeprowadzenia regulacji, wymiany osprzętu lub przed odłożeniem narzędzia na swoje miejsce, należy zawsze wyjąć wtyczkę przewodu zasilającego z gniazda i/lub odłączyć akumulator.** Takie działania zapobiegawcze zmniejszają ryzyko przypadkowego uruchomienia elektronarzędzia.
 20. **Nieużywane elektronarzędzia należy chronić przed dziećmi. Nie wolno zezwalać na korzystanie z elektronarzędzia osobom nieobeznanim z danym narzędziem, albo osobom, które nie zapoznały się z jego instrukcją obsługi.** Elektronarzędzia w rękach użytkowników bez przeszkolenia mogą być niebezpieczne.
 21. **O elektronarzędzia trzeba dbać. Kontrolować je pod kątem nieprawidłowego ustawienia lub zablokowania elementów ruchomych, pęknięć lub innych usterek, które mogą mieć wpływ na działanie urządzenia. W przypadku stwierdzenia uszkodzenia zlecić naprawę narzędzia.** Niewłaściwie konserwowane elektronarzędzia są przyczyną wielu wypadków.
 22. **Narzędzia do cięcia powinny być zawsze czyste i naostrzone.** Właściwie konserwowane narzędzia do cięcia z ostrymi krawędziami tnącymi rzadziej się zakleszczają i łatwiej je prowadzić.
 23. **Elektronarzędzie, osprzęt, końcówki robocze itp. należy stosować zgodnie z niniejszymi zaleceniami, mając na uwadze warunki i rodzaj pracy do wykonania.** Używanie elektronarzędzia do innych, niezgodnych z przeznaczeniem celów może stwarzać niebezpieczną sytuację.
- Użytkowanie narzędzi akumulatorowych i dbałość o nie**
24. **Akumulator należy ładować wyłącznie przy użyciu ładowarki określonej przez producenta.** Ładowarka przeznaczona do jednego typu akumulatora może stwarzać zagrożenie pożarem, gdy będzie używana do ładowania innego akumulatora.
 25. **Do zasilania narzędzi należy używać tylko specjalnie wyznaczonych akumulatorów.** Używanie innych akumulatorów może grozić wypadkiem lub pożarem.
 26. **Gdy akumulator nie jest używany, należy zabezpieczyć go przed kontaktem z metalowymi**

przedmiotami, takimi jak spinacze, monety, klucze, gwoździe, wkręty itp., które mogą powodować zwarcie styków akumulatora. Zwarcie styków akumulatora grozi poparzeniami lub pożarem.

27. W przypadku niewłaściwych warunków eksploatacji może dojść do wycieku elektrolitu z akumulatora. Nie należy go dotykać. W razie przypadkowego kontaktu należy przemyć skażoną skórę wodą. W przypadku kontaktu z oczami dodatkowo zasięgnąć pomocy lekarza. Płyn z akumulatora może powodować podrażnienia lub poparzenia.

Serwis

28. Naprawy elektronarzędzi należy zlecać wykwalifikowanemu personelowi technicznemu, który stosuje wyłącznie oryginalne części zamienne. Pozwoli to zachować niezmienny, wysoki poziom bezpieczeństwa elektronarzędzia.
29. Należy postępować zgodnie z instrukcjami dotyczącymi smarowania i wymiany elementów wyposażenia.
30. Uchwyty powinny być zawsze suche, czyste, bez pozostałości oleju lub smaru.

OSTRZEŻENIA DOTYCZĄCE BEZPIECZNEJ EKSPLOATACJI DMUCHAWY AKUMULATOROWEJ

GEB076-1

1. Podczas korzystania z dmuchawy należy zawsze nosić gogle ochronne, kask i maskę.
2. Podczas używania dmuchawy nigdy nie kierować dyszą na żadną osobę znajdującą się w pobliżu.
3. Zawsze stosować worek na pył podczas zbierania pyłu, wiórów, itp.
4. Nie zbierać do worka żarzącego się popiołu z papierosa, świeżo ściętych opiłków metalu, śrób, gwoździ, itp. Ostrzeżenie – W przypadku używania narzędzia na mokrej powierzchni może dojść do porażenia prądem. Elektronarzędzie należy chronić przed deszczem. Przechowywać w pomieszczeniu.
5. Nie blokować wlotu zasysania i/lub wylotu dmuchawy. Nadmierna prędkość obrotów silnika może spowodować niebezpieczne uszkodzenie wentylatora.
6. Dmuchawa nie powinna być użytkowana przez dzieci lub osoby o ograniczonej sprawności ruchowej pozostające bez nadzoru.
7. Należy zwracać uwagę, aby małe dzieci nie bawiły się tym urządzeniem.

ZACHOWAĆ INSTRUKCJĘ OBSŁUGI.

⚠ OSTRZEŻENIE:
NIE WOLNO pozwolić, aby wygoda lub rutyna (nabyte w wyniku wielokrotnego używania narzędzia) zastąpiły ścisłe przestrzeganie zasad bezpiecznej obsługi. NIEWŁAŚCIWE UŻYTKOWANIE narzędzia lub niestosowanie się do zasad bezpieczeństwa

podanych w niniejszej instrukcji obsługi może prowadzić do poważnych obrażeń ciała.

WAŻNE ZASADY BEZPIECZEŃSTWA

ENC007-5

DOTYCZĄCE AKUMULATORA

1. Przed użyciem akumulatora należy zapoznać się ze wszystkimi zaleceniami i znakami ostrzegawczymi na (1) ładowarce, (2) akumulatorze i (3) produkcie, w którym będzie używany akumulator.
2. Akumulatora nie wolno rozbiierać.
3. Jeśli czas pracy uległ znacznemu skróceniu, należy natychmiast przerwać pracę. Może bowiem dojść do przegrzania, ewentualnych poparzeń, a nawet eksplozji.
4. W razie dostania się elektrolitu do oczu, należy je przemyć wodą i niezwłocznie uzyskać pomoc lekarską. Kontakt elektrolitu z okiem może spowodować utratę wzroku.
5. Nie wolno zwierać styków akumulatora:
 - (1) nie dotykać styków przedmiotami przewodzącymi prąd.
 - (2) Nie wolno przechowywać akumulatora w pojemniku z innymi metalowymi przedmiotami, takimi jak gwoździe, monety itp.
 - (3) Akumulator należy chronić przed wodą lub deszczem.
Zwarcie prowadzi do przepływu prądu elektrycznego o dużym natężeniu i przegrzania akumulatora, co w konsekwencji może grozić poparzeniami, a nawet awarią narzędzia.
6. Narzędzia i akumulatora nie wolno przechowywać w miejscach, w których temperatura osiąga lub przekracza 50°C.
7. Akumulatorów nie wolno spalać, również tych poważnie uszkodzonych lub całkowicie zużytych. W ogniu akumulator może eksplodować.
8. Akumulator należy chronić przed upadkiem i uderzeniami.
9. Nie wolno używać uszkodzonych akumulatorów.

ZACHOWAĆ INSTRUKCJĘ OBSŁUGI.

Wskazówki dotyczące zachowania maksymalnej trwałości akumulatora

1. Akumulator należy naładować, zanim ulegnie całkowitemu rozładowaniu.
W przypadku stwierdzenia spadku mocy narzędzia, należy przerwać pracę i naładować akumulator.
2. Nie wolno ładować w pełni naładowanego akumulatora.
Zbyt długie ładowanie skraca okres eksploatacji.
3. Akumulator należy ładować w temperaturze pokojowej 10-40°C. Przed naładowaniem akumulatora należy odczekać, aż ostygnie.

OPIS DZIAŁANIA

UWAGA:

- Przed przystąpieniem do regulacji lub przeglądu narzędzia, należy upewnić się, czy jest ono wyłączone i czy został wyjęty akumulator.

Wkładanie lub wyjmowanie akumulatora (Rys. 1)

- Przed włożeniem lub wyjęciem akumulatora należy koniecznie wyłączyć narzędzie.
- Aby wyjąć akumulator, naciśnij zaczepy po jego obu stronach i wyciągnij go.
- Aby włożyć akumulator, wystarczy wyrównać występ na akumulatorze z rowkiem w obudowie i wsunąć go na swoje miejsce. Akumulator wsunąć do oporu, aż wskoczy na swoje miejsce, co jest sygnalizowane delikatnym kliknięciem. W przeciwnym razie akumulator może przypadkowo wypaść z narzędzia, ranić operatora lub osoby postronne.
- Przy wkładaniu akumulatora nie wolno używać siły. Jeżeli akumulator nie wchodzi swobodnie, nie został prawidłowo włożony.

Przełącznik

UWAGA:

- Przed włożeniem akumulatora do narzędzia należy zawsze sprawdzić, czy język spustowy przełącznika działa prawidłowo i po zwolnieniu powraca do pozycji "OFF" (wyłączone).

Aby uruchomić narzędzie, należy pociągnąć za język spustowy przełącznika. Prędkość narzędzia rośnie wraz ze zwiększaniem nacisku na język spustowy. W celu zatrzymania urządzenia wystarczy zwolnić język spustowy przełącznika. (Rys. 2)

Pokrętko regulacji objętości powietrza

Objętość powietrza można ustawić na jedną z trzech wartości obracając pokrętko regulacyjne przy całkowicie zwolnionym językiem spustowym. Poniższa tabela pokazuje zależności pomiędzy cyframi na pokrętkle a objętością powietrza.

Cyfra na pokrętkle	Objętość powietrza
3	Duża
2	Średnia
1	Mała

UWAGA:

- Używać pokrętkła regulacyjnego wolno wyłącznie, kiedy język spustowy znajduje się w położeniu "OFF" (wyłączone). Obracanie pokrętkła zanim język spustowy powróci do tego położenia może spowodować uszkodzenie narzędzia.
- Jeżeli narzędzie jest używane bez przerwy aż do rozładowania akumulatora, należy je odstawić na 15 minut, zanim praca zostanie podjęta na nowo z użyciem innego naładowanego akumulatora.

MONTAŻ

Wydmuchiwanie

Aby wydymać pył, zamocuj dyszę do wylotu dmuchawy i zablokuj ją poprzez przekręcenie w kierunku zgodnym z ruchem wskazówek zegara. (Rys. 3)

Zasysanie pyłu (Rys. 4)

Aby umożliwić zasysanie pyłu, zamocuj dyszę na otworze zasysania, a worek na pył na otworze wylotowym dmuchawy.

Opróżnij wypełniony worek do kosza na śmieci, zwalniając łącznik. (Rys. 5)

UWAGA:

- Worek należy opróżniać zanim się zbytnio napełni, gdyż w przeciwnym razie moc ssania będzie obniżona.

KONSERWACJA

UWAGA:

- Przed przystąpieniem do przeglądu narzędzia lub jego konserwacji upewnić się, czy jest ono wyłączone i czy akumulator został wyjęty.
- Nie wolno stosować benzyny, rozpuszczalników, alkoholu itp. środków. Substancje te mogą spowodować odbarwienia, odkształcenia lub pęknięcia.

Czyszczenie

Od czasu do czasu trzeba przetrzeć korpus narzędzia ściereczką zwilżoną wodą z mydłem. Nie wolno stosować benzyny, rozcieńczalników, itp., gdyż substancje te mogą spowodować odbarwienia i/lub pęknięcie tworzywa.

(Rys. 6)

W celu zachowania odpowiedniego poziomu BEZPIECZEŃSTWA i NIEZAWODNOŚCI wyrobu, wszelkie naprawy i różnego rodzaju prace konserwacyjne lub regulacje powinny być przeprowadzane przez autoryzowany punkt serwisowy narzędzi Makita, zawsze z użyciem oryginalnych części zamiennych Makita.

WYPOSAŻENIE DODATKOWE

UWAGA:

- Z opisanym w niniejszym podręczniku narzędziem marki Makita współpracują zalecane poniżej akcesoria i przystawki. Stosowanie innych akcesoriów lub przystawek grozi obrażeniami ciała. Akcesoria lub przystawki należy wykorzystywać wyłącznie do celów, do których zostały przeznaczone.

Więcej szczegółów na temat podanego wyposażenia dodatkowego można uzyskać w miejscowym punkcie serwisowym narzędzi Makita.

- Dysza
- Worek na pył
- Dysza narożna
- Rura prosta
- Elastyczny wąż
- Złączka
- Różne typy oryginalnych akumulatorów i ładowarek marki Makita

Poziom hałas

ENG905-1

Typowy poziom hałasu A, określony zgodnie z normą EN60745:

Model BUB142Poziom ciśnienia akustycznego (L_{pA}): 86 dB (A)Poziom mocy akustycznej (L_{WA}): 97 dB (A)

Niepewność (K): 3 dB (A)

Model BUB182Poziom ciśnienia akustycznego (L_{pA}): 83 dB (A)Poziom mocy akustycznej (L_{WA}): 94 dB (A)

Niepewność (K): 3 dB (A)

Należy nosić środki ochrony słuchu.**Wibracje:**

ENG900-1

Całkowita wartość poziomu drgań (suma wektorów w 3 osiach) określona zgodnie z normą EN60745:

Tryb pracy: praca bez obciążenia

Emisja drgań (a_{H1}): 2,5 m/s² lub mniejNiepewność (K): 1,5 m/s²

ENG901-1

- Deklarowana wartość wytwarzanych drgań została zmierzona zgodnie ze standardową metodą testową i można ją wykorzystać do porównywania narzędzi.
- Deklarowaną wartość wytwarzanych drgań można także wykorzystać we wstępnej ocenie narażenia.

⚠ OSTRZEŻENIE:

- Drgania wytwarzane podczas rzeczywistego użytkowania elektronarzędzia mogą się różnić od wartości deklarowanej, w zależności od sposobu jego użytkowania.
- W oparciu o szacowane narażenie w rzeczywistych warunkach użytkowania należy określić środki bezpieczeństwa w celu ochrony operatora (uwzględniając wszystkie elementy cyklu działania, tj. czas, kiedy narzędzie jest wyłączone i kiedy pracuje na biegu jałowym, a także czas, kiedy jest włączone).

Dotyczy tylko krajów europejskich

ENH101-14

Deklaracja zgodności WE

Niniejszym firma Makita Corporation, jako odpowiedzialny producent, oświadcza, że opisywane urządzenia marki Makita:

Oznaczenie maszyny:

Dmuchawa akumulatorowa

Nr modelu/ Typ: BUB142, BUB182

są produkowane seryjnie oraz

spełniają następujące dyrektywy europejskie:

2006/42/WE

i są produkowane zgodnie z następującymi normami lub dokumentami normalizacyjnymi:

EN60745

Dokumentacja techniczna przechowywana jest przez naszego autoryzowanego przedstawiciela na Europę, którym jest:

Makita International Europe Ltd.

Michigan Drive, Tongwell,

Milton Keynes, MK15 8JD, Wielka Brytania

30. 1. 2009



Tomoyasu Kato
Dyrektor

Makita Corporation
3-11-8, Sumiyoshi-cho,
Anjo, Aichi, JAPAN

РУССКИЙ (Оригинальные инструкции)

Пояснения к общему виду

- | | | |
|---|---------------------------------------|-----------|
| 1. Красная часть | 6. Курковый выключатель | 11. Зажим |
| 2. Кнопка | 7. Насадка | |
| 3. Блок аккумулятора | 8. Выходное отверстие
воздуходувки | |
| 4. Стрелки | 9. Мешок для сбора пыли | |
| 5. Поворотный регулятор объема
воздуха | 10. Всасывающее отверстие | |

ТЕХНИЧЕСКИЕ ХАРАКТЕРИСТИКИ

Модель		BUB142	BUB182
Эксплуатационные возможности	Давление воздуха (мм водяного столба)	0 - 550 мм	
	Объем воздуха	0 - 2,6 м ³ /мин	
Скорость без нагрузки (мин ⁻¹)		0 - 18000	
Общая длина		509 мм	
Вес нетто		1,6 кг	1,7 кг
Номинальное напряжение		14,4 В пост. тока	18 В пост. тока

- По той причине, что мы постоянно проводим работы в области исследований и разработок, приведенные в настоящем документе технические характеристики могут быть изменены без предварительного уведомления.
- технические характеристики и аккумуляторный блок могут отличаться в зависимости от страны.
- Масса (с аккумуляторным блоком) в соответствии с процедурой EPTA 01.2003

Символы

END004-4

Ниже приведены символы, используемые для данного электроинструмента.

Перед использованием убедитесь, что вы понимаете их значение.



..... Прочитайте руководство пользователя.



Cd
Ni-MH
Li-Ion

..... Только для стран ЕС
Не выбрасывайте электрооборудование или аккумуляторы вместе с бытовым мусором!
В соответствии с европейской директивой 2002/96/EG об утилизации электрического и электронного оборудования, директивой 2006/66/EG о батареях и аккумуляторах, а также использованных батареях и аккумуляторах, и их применения в соответствии с местными законами электрооборудование и аккумуляторы, срок эксплуатации которых истек, должны утилизироваться отдельно безопасным для окружающей среды способом.

Назначение

BNE018-1

Настоящий инструмент предназначен для обдувки пыли.

Общие рекомендации по технике безопасности для электроинструментов

GEA006-2

⚠ ПРЕДУПРЕЖДЕНИЕ Ознакомьтесь со всеми инструкциями и рекомендациями по технике безопасности. Несоблюдение всех инструкций может привести к поражению электрическим током, пожару и/или серьезной травме.

Сохраните брошюру с инструкциями и рекомендациями для дальнейшего использования.

Термин "электроинструмент" в предупреждающих сообщениях относится к ко всему инструменту, работающему от сети или на аккумуляторах.

Безопасность в месте выполнения работ

1. **Поддерживайте чистоту и обеспечивайте хорошую освещенность на рабочем месте.** Захламленное или темное рабочее место способствует несчастным случаям и травмам.
2. **Не пользуйтесь электроинструментом во взрывоопасной атмосфере, например, в присутствии легко воспламеняющихся жидкостей, газов или пыли.** При работе электроинструмента возникают искры, которые могут привести к воспламенению пыли или газов.
3. **При работе с электроинструментом не допускайте детей или посторонних к месту производства работ.** Не отвлекайтесь во время работы, так как это приведет к потере контроля над электроинструментом.

Электробезопасность

4. **Вилка электроинструмента должна соответствовать сетевой розетке. Никогда не вносите никаких изменений в конструкцию розетки. При использовании электроинструмента с заземлением не используйте переходники.** Розетки и вилки, не подвергавшиеся изменениям, снижают риск поражения электрическим током.
5. **Избегайте контакта участков тела с такими заземленными поверхностями, как трубы, радиаторы, батареи отопления и холодильники.** При контакте вашего тела с заземленными предметами увеличивается риск поражения электрическим током.
6. **Не допускайте попадания на электроинструмент дождя или влаги.** Попадание воды на электроинструмент повышает риск поражения электрическим током.
7. **Аккуратно обращайтесь со шнуром питания. Никогда не используйте шнур питания для переноски, перемещения или извлечения вилки из розетки. Располагайте шнур на расстоянии от источников тепла, масла, острых краев и движущихся деталей.** Поврежденные или запутанные сетевые шнуры увеличивают риск поражения электрическим током.
8. **При эксплуатации электроинструмента вне помещений используйте соответствующий удлинитель.** Использование соответствующего шнура снижает риск поражения электрическим током.
9. **Если электроинструмент приходится эксплуатировать в сыром месте, используйте линию электропитания, которая защищена прерывателем, срабатывающим при замыкании на землю (GFCI).** Использование GFCI снижает риск поражения электротоком.

Личная безопасность

10. **При использовании электроинструмента будьте бдительны, следите за тем, что вы делаете, и руководствуйтесь здравым смыслом. Не пользуйтесь электроинструментом, если вы устали, находитесь под воздействием наркотиков, алкоголя или лекарственных препаратов.** Даже мгновенная невнимательность при эксплуатации электроинструмента может привести к серьезной травме.
11. **Используйте индивидуальные средства защиты. Всегда надевайте защитные очки.** Такие средства индивидуальной защиты, как маска от пыли, защитная нескользящая обувь, каска или наушники, используемые в соответствующих условиях, позволяют снизить риск получения травмы.
12. **Не допускайте случайного запуска. Прежде чем подсоединять инструмент к источнику питания и/или аккумуляторной батарее, поднимать или**

переносить инструмент, убедитесь, что переключатель находится в выключенном положении. Переноска электроинструмента с пальцем на выключателе или подача питания на инструмент с выключенным выключателем может привести к несчастному случаю.

13. **Перед включением электроинструмента снимите с него все регулировочные инструменты и гаечные ключи.** Гаечный или регулировочный ключ, оставшийся закрепленным на вращающейся детали, может привести к травме.
14. **При эксплуатации инструмента соблюдайте устойчивое положение и не тянитесь. Всегда сохраняйте устойчивое положение и равновесие,** что позволит лучше управлять электроинструментом в непредвиденных ситуациях.
15. **Одевайтесь соответствующим образом. Не надевайте свободную одежду или украшения. Ваши волосы, одежда и перчатки должны всегда находиться на расстоянии от вращающихся деталей.** Свободная одежда, украшения или длинные волосы могут попасть в движущиеся детали устройства.
16. **Если электроинструмент оборудован системой удаления пыли, убедитесь, что она подключена к общей системе пылеудаления.** Использование пылесборника снижает вероятность возникновения рисков, связанных с пылью.

Использование электроинструмента и уход за ним

17. **Не прилагайте излишних усилий к электроинструменту. Используйте инструмент, соответствующий выполняемой вами работе.** Правильно подобранный электроинструмент позволит выполнить работу лучше и безопаснее с той производительностью, на которую он рассчитан.
18. **Не пользуйтесь электроинструментом с неисправным выключателем.** Любой электроинструмент с неисправным выключателем опасен и должен быть отремонтирован.
19. **Перед выполнением регулировок, сменой принадлежностей или хранением электроинструмента всегда отключайте его от источника питания и/или от аккумулятора.** Такие превентивные меры предосторожности снижают риск случайного включения электроинструмента.
20. **Храните электроинструменты в местах, недоступных для детей, и не позволяйте лицам, не знакомым с работой такого инструмента или не прочитавшим данные инструкции, пользоваться им.** Электроинструмент опасен в руках неопытных пользователей.
21. **Содержите инструмент в порядке. Убедитесь в соосности, отсутствии деформаций движущихся узлов, поломок каких-либо**

деталей или других дефектов, которые могут повлиять на работу электроинструмента. Если инструмент поврежден, отремонтируйте его перед использованием. Большое число несчастных случаев происходит из-за плохого содержания электроинструмента.

22. **Режущий инструмент всегда должен быть острым и чистым.** Соответствующее обращение с режущим инструментом, имеющим острые режущие кромки, делает его менее подверженным деформациям, что позволяет лучше управлять им.
23. **Используйте механизированный инструмент, принадлежности и насадки в соответствии с данными правилами, учитывая условия работы и операции, которые предстоит выполнять.** Использование электроинструмента для действий, отличающихся от тех, для которых он предназначен, может привести к созданию опасной ситуации.

Использование электроинструмента, работающего на аккумуляторах, и уход за ним

24. **Заряжайте аккумулятор только зарядным устройством, указанным изготовителем.** Зарядное устройство, подходящее для одного типа аккумуляторов, может привести к пожару при его использовании с другим аккумуляторным блоком.
25. **Используйте электроинструмент только с указанными аккумуляторными блоками.** Использование других аккумуляторных блоков может привести к травме или пожару.
26. **Когда аккумуляторный блок не используется, храните его отдельно от металлических предметов, таких как скрепки, монеты, ключи, гвозди, шурупы или другие небольшие металлические предметы, которые могут привести к закорачиванию контактов аккумуляторного блока между собой.** Закорачивание контактов аккумуляторного блока может привести к ожогам или пожару.
27. **При неправильном обращении из аккумуляторного блока может потечь жидкость. Избегайте контакта с ней. В случае контакта с кожей промойте место контакта обильным количеством воды. В случае попадания в глаза, обратитесь к врачу.** Жидкость из аккумуляторного блока может вызвать раздражение или ожоги.

Обслуживание

28. **Обслуживание электроинструмента должно проводиться только квалифицированным специалистом по ремонту и только с использованием идентичных запасных частей.** Это позволит обеспечить безопасность электроинструмента.
29. **Следуйте инструкциям по смазке и замене принадлежностей.**
30. **Ручки инструмента всегда должны быть сухими и чистыми и не должны быть испачканы маслом или смазкой.**

ПРАВИЛА ТЕХНИКИ БЕЗОПАСНОСТИ ПРИ ЭКСПЛУАТАЦИИ БЕСПРОВОДНОЙ ВОЗДУХОДУВКИ

GEB076-1

1. При эксплуатации воздуходувки всегда пользуйтесь защитными очками шапочкой и маской.
2. **Никогда не направляйте насадку на других людей, находящихся вблизи воздуходувки.**
3. При сборе пыли, стружки, опилок и т. п. всегда пользуйтесь мешком для сбора пыли.
4. Не собирайте тлеющий сигаретный пепел, свежую металлическую стружку, винты, гвозди и им подобные предметы. Предупреждение – в случае работы на влажной поверхности возможно поражение электрическим током. Бережь от дождя. Хранить в помещении.
5. **Никогда не закрывайте всасывающее или выходное отверстие воздуходувки.** Работа электродвигателя на повышенных оборотах может привести к опасному повреждению вентилятора.
6. **Воздуходувка не предназначена для использования маленькими детьми или инвалидами без надлежащего наблюдения.**
7. **Следует следить за маленькими детьми, чтобы они не использовали воздуходувку в качестве игрушки.**

СОХРАНИТЕ ДАННЫЕ ИНСТРУКЦИИ.

⚠ ПРЕДОСТЕРЕЖЕНИЕ:

НЕ ДОПУСКАЙТЕ, чтобы удобство или опыт эксплуатации данного устройства (полученный от многократного использования) доминировали над строгим соблюдением правил техники безопасности при обращении с этим устройством. **НЕПРАВИЛЬНОЕ ИСПОЛЬЗОВАНИЕ** инструмента или несоблюдение правил техники безопасности, указанных в данном руководстве, может привести к тяжелой травме.

ВАЖНЫЕ ИНСТРУКЦИИ ПО ТЕХНИКЕ БЕЗОПАСНОСТИ

ENC007-5

ДЛЯ АККУМУЛЯТОРНОГО БЛОКА

1. **Перед использованием аккумуляторного блока прочитайте все инструкции и предупреждающие надписи на (1) зарядном устройстве, (2) аккумуляторном блоке и (3) инструменте, работающем от аккумуляторного блока.**
2. **Не разбирайте аккумуляторный блок.**
3. **Если время работы аккумуляторного блока значительно сократилось, немедленно прекратите работу. В противном случае может**

- возникнуть перегрев блока, что приведет к ожогам и даже к взрыву.
4. В случае попадания электролита в глаза, промойте их обильным количеством чистой воды и немедленно обратитесь к врачу. Это может привести к потере зрения.
 5. Не замыкайте контакты аккумуляторного блока между собой:
 - (1) Не прикасайтесь к контактам какими-либо токопроводящими предметами.
 - (2) Избегайте хранить аккумуляторный блок в контейнере вместе с другими металлическими предметами, такими как гвозди, монеты и т. п.
 - (3) Не допускайте попадания на аккумуляторный блок воды или дождя. Замыкание контактов аккумуляторного блока между собой может привести к возникновению большого тока, перегреву, возможным ожогам и даже разрыву блока.
 6. Не храните инструмент и аккумуляторный блок в местах, где температура может достигать или превышать 50°C (122°F).
 7. Не бросайте аккумуляторный блок в огонь, даже если он сильно поврежден или полностью вышел из строя. Аккумуляторный блок может взорваться под действием огня.
 8. Не роняйте и не ударяйте аккумуляторный блок.
 9. Нельзя использовать поврежденный аккумулятор.

СОХРАНИТЕ ДАННЫЕ ИНСТРУКЦИИ.

Советы по обеспечению максимального срока службы аккумуляторного блока

1. Заряжайте аккумуляторный блок до того, как он полностью разрядится. В случае потери мощности при эксплуатации инструмента, прекратите работу и зарядите аккумуляторный блок.
2. Никогда не заряжайте полностью заряженный аккумуляторный блок. Перезарядка сокращает срок службы блока.
3. Заряжайте аккумуляторный блок при комнатной температуре в пределах от 10°C до 40°C (от 50°F до 104°F). Перед зарядкой дайте горячему аккумуляторному блоку остыть.

ТЕХНИЧЕСКОЕ ОПИСАНИЕ

ПРЕДУПРЕЖДЕНИЕ:

- Перед регулировкой или проверкой функций инструмента обязательно убедитесь, что он выключен и аккумуляторный блок снят с инструмента.

Установка или снятие аккумуляторного блока (Рис. 1)

- Перед установкой или снятием аккумуляторного блока всего выключайте инструмент.

- Для того чтобы снять блок аккумуляторной батареи, нажмите на кнопки, расположенные на его обеих сторонах.
- Для установки аккумуляторного блока совместите выступ блока с пазом в корпусе и задвиньте его на место. Всегда устанавливайте блок до упора так, чтобы он зафиксировался на месте с небольшим щелчком. В противном случае аккумуляторный блок может выпасть из инструмента и нанести травму вам или другим людям.
- Не применяйте силу при установке аккумуляторного блока. Если блок не двигается свободно, значит он вставлен неправильно.

Включение

ПРЕДУПРЕЖДЕНИЕ:

- Перед установкой аккумуляторного блока в инструмент обязательно убедитесь, что его курковый выключатель работает нормально и при отпускании возвращается в положение "OFF" (ВЫКЛ).

Для включения инструмента достаточно просто нажать курковый выключатель. Для увеличения числа оборотов нажмите курковый выключатель сильнее. Для выключения инструмента отпустите курковый выключатель. (Рис. 2)

Поворотный регулятор объема воздуха

Регулировка объема воздуха осуществляется установкой поворотного регулятора в одно из трех установочных положений при полностью отпущенном курковом выключателе. Соотношение между объемом воздуха и цифрами на поворотном регуляторе приведено в таблице ниже.

Цифра на поворотном регуляторе	Объем воздуха
3	Большой
2	Средний
1	Малый

ПРЕДУПРЕЖДЕНИЕ:

- Изменяйте положение поворотного регулятора только после того, как курковый выключатель вернется в положение "OFF" (ВЫКЛ). Изменение положения поворотного регулятора до того, как курковый выключатель вернется в положение "OFF" (ВЫКЛ), может привести к повреждению инструмента.
- Если инструмент использовался непрерывно до полного разряда аккумуляторного блока, выключите его, выждите не менее 15 минут и только затем устанавливайте новый аккумуляторный блок.

СБОРКА

Обдувка

Для обдувки пыли присоедините насадку к выходному отверстию воздуховодки, повернув ее по часовой стрелке так, чтобы насадка зафиксировалась на месте. (Рис. 3)

Всасывание пыли (Рис. 4)

Для всасывания пыли установите насадку на всасывающее отверстие, а мешок для сбора пыли — на выходное отверстие воздуходувки. После заполнения мешка пылью высыпьте ее в мусорный ящик, для чего снимите зажим. (Рис. 5)

ПРЕДУПРЕЖДЕНИЕ:

- Опорожняйте мешок для сбора пыли до того, как он будет слишком полон. В противном случае сила всасывания может уменьшиться.

ОБСЛУЖИВАНИЕ

ПРЕДУПРЕЖДЕНИЕ:

- Перед выполнением какого-либо осмотра или обслуживания инструмента убедитесь, что устройство выключено и его аккумуляторный блок снят.
- Запрещается использовать бензин, лигроин, растворитель, спирт и т. п. Это может привести к изменению цвета, деформации и появлению трещин.

Чистка

Периодически протирайте внешнюю поверхность инструмента тканью, смоченной в мыльной воде. Никогда не используйте бензин, растворитель или им подобные вещества, т.к. это может привести к обесцвечиванию и/или появлению трещин. (Рис. 6) Для обеспечения БЕЗОПАСНОСТИ и НАДЕЖНОСТИ инструмента выполняйте его ремонт, обслуживание или регулировку только в авторизованных сервисных центрах компании Makita и с использованием только оригинальных запасных частей компании Makita.

ПРИНАДЛЕЖНОСТИ

ПРЕДУПРЕЖДЕНИЕ:

- Данные принадлежности или приспособления рекомендуются для использования с инструментом Makita, указанным в настоящем руководстве. Использование других принадлежностей или приспособлений может привести к возникновению риска получения травмы. Используйте принадлежности или приспособления только для тех целей, для которых они предназначены.

За дополнительной информацией об этих принадлежностях обращайтесь в местный сервисный центр Makita.

- Насадка
- Мешок для сбора пыли
- Угловая насадка
- Прямая труба
- Гибкий шланг
- Соединение
- Различные типы оригинальных аккумуляторных блоков и зарядных устройств компании Makita

Шум

ENG905-1

Стандартное психометрическое значение величины шума, определенное в соответствии с EN60745:

Модель BUB142

Уровень звукового давления (L_{pA}): 86 дБ (A)

Уровень мощности звука (L_{WA}): 97 дБ (A)
Погрешность (K): 3 дБ (A)

Модель BUB182

Уровень звукового давления (L_{pA}): 83 дБ (A)
Уровень мощности звука (L_{WA}): 94 дБ (A)
Погрешность (K): 3 дБ (A)

Используйте средства защиты слуха.

Вибрация

ENG900-1

Уровень вибрации (векторная сумма по трем координатам), определенный в соответствии с EN60745:

Рабочий режим: эксплуатация без нагрузки.
Распространение вибрации (a_h): 2,5 м/с² или менее
Погрешность (K): 1,5 м/с²

ENG901-1

- Заявленное значение распространения вибрации измерено в соответствии со стандартной методикой испытаний и может быть использовано для сравнения инструментов.
- Заявленное значение распространения вибрации можно также использовать для предварительных оценок воздействия.

⚠ ПРЕДОСТЕРЕЖЕНИЕ:

- Распространение вибрации во время фактического использования электроинструмента может отличаться от заявленного значения в зависимости способа применения инструмента.
- Обязательно определите меры безопасности для защиты оператора, основанные на оценке воздействия в реальных условиях использования (с учетом всех этапов рабочего цикла, таких как выключение инструмента, работа без нагрузки и включение).

Только для европейских стран

ENH101-14

Декларации о соответствии ЕС

Makita Corporation, являясь ответственным производителем, заявляет, что следующие устройства Makita:

Обозначение устройства:

Беспроводная воздуходувка

№ модели / тип: BUB142, BUB182

являются серийными изделиями и

Соответствует следующим директивам ЕС:

2006/42/EC

И изготовлены в соответствии со следующими стандартами или нормативными документами:

EN60745

Техническая документация хранится у официального представителя в Европе:

Makita International Europe Ltd.

Michigan, Drive, Tongwell,

Milton Keynes, MK15 8JD, England

30. 1. 2009



Tomoyasu Kato (Томойашу Като)

Директор

Makita Corporation

3-11-8, Sumiyoshi-cho,

Anjo, Aichi, JAPAN

PORTUGUÊS (Instruções originais)

Explicação geral

- | | | |
|-------------------|--------------------------------------|-----------------------|
| 1. Parte vermelha | 5. Seletor de ajuste de volume de ar | 9. Saco coletor de pó |
| 2. Botão | 6. Interruptor gatilho | 10. Entrada de sucção |
| 3. Bateria | 7. Bico | 11. Prendedor |
| 4. Indicadores | 8. Saída do soprador | |

ESPECIFICAÇÕES

Modelo		BUB142	BUB182
Capacidades	Pressão de ar (coluna de água)	0 - 550 mm	
	Volume de ar	0 - 2,6 m ³ /min	
Velocidade em vazio (min ⁻¹)		0 - 18.000	
Comprimento total		509 mm	
Peso		1,6 kg	1,7 kg
Tensão nominal		C.C. 14,4 V	C.C. 18 V

- Devido ao nosso contínuo programa de pesquisa e desenvolvimento, estas especificações estão sujeitas a alterações sem aviso prévio.
- As especificações e a bateria podem variar de país para país.
- Peso, com a bateria, de acordo com o procedimento 01/2003 da EPTA

Símbolos

END004-4

A seguir encontram-se os símbolos usados para este equipamento.

Entenda o significado de cada um antes de usar a ferramenta.



..... Leia o manual de instruções.



..... Apenas para países da UE
Não deite equipamentos eléctricos ou a bateria no lixo doméstico!

De acordo com a directiva europeia 2002/96/EC sobre ferramentas eléctricas e electrónicas usadas, a directiva 2006/66/EC sobre baterias, acumuladores e baterias usadas e a sua aplicação para as leis nacionais, as ferramentas eléctricas e as baterias usadas devem ser recolhidas em separado e encaminhadas a uma instalação de reciclagem dos materiais ecológicos.

Aplicação

BNE108-1

A ferramenta é destinada a soprar pó.

Avisos de segurança gerais da ferramenta eléctrica

GEA006-2

⚠ AVISO Leia todos os avisos de segurança e todas as instruções. A falha em seguir todos os avisos e instruções pode resultar em choque eléctrico, incêndio e/ou ferimentos graves.

Salve todos os avisos e instruções para referência futura.

O termo "ferramenta eléctrica" nos avisos se refere à ferramenta operada por electricidade (com fio) ou à ferramenta operada por bateria (sem fio).

Segurança da área de trabalho

1. **Mantenha a área de trabalho limpa e bem iluminada.** Áreas de trabalho desorganizadas ou escuras são propensas a acidentes.
2. **Não utilize ferramentas eléctricas em ambientes com perigo de explosão, tais como próximos a líquidos inflamáveis, gases ou poeira.** Ferramentas eléctricas produzem faíscas que podem incendiar a poeira ou gases.
3. **Mantenha crianças e espectadores afastados quando utilizar uma ferramenta eléctrica.** Distrações podem causar a perda de controle.

Segurança eléctrica

4. **Os plugues das ferramentas eléctricas devem ser compatíveis com as tomadas. Jamais modifique o plugue. Não use um plugue adaptador para ferramentas eléctricas aterradas.** Plugues sem modificação e tomadas compatíveis reduzem o risco de choque eléctrico.
5. **Evite o contato com superfícies aterradas, tais como canos, radiadores, fogões e refrigeradores.** O risco de choque eléctrico aumenta se o seu corpo estiver ligado à terra.
6. **Não exponha ferramentas eléctricas à chuva ou umidade.** A entrada de água na ferramenta eléctrica aumentará o risco de choque eléctrico.
7. **Não use o fio inapropriadamente. Nunca o use para carregar, puxar ou desligar a ferramenta eléctrica. Mantenha o fio longe do calor, óleo, arestas cortantes ou peças rotativas.** Fios danificados ou emaranhados aumentam o risco de choque eléctrico.
8. **Quando operar uma ferramenta eléctrica ao ar livre, use um fio de extensão próprio para esse tipo de ambiente.** O uso de fio eléctrico próprio para o ambiente externo reduz o risco de choque eléctrico.

9. **Se for inevitável operar uma ferramenta elétrica em local úmido, use um material protegido de interruptor com circuito de falha de aterramento (GFCI).** O uso de um GFCI reduz o risco de choque elétrico.

Segurança pessoal

10. **Tenha cuidado, fique atento ao que está fazendo e use bom senso ao operar a ferramenta elétrica. Não use uma ferramenta elétrica quando estiver cansado ou sob a influência de drogas, álcool ou medicamentos.** Um momento de distração ao operar a ferramenta elétrica poderá resultar em ferimentos graves.
11. **Use equipamento de proteção pessoal. Use sempre óculos de proteção.** Equipamentos de proteção, como máscaras protetoras de pó, sapatos de segurança com sola antiderrapante, capacete ou proteção auricular, usados de acordo com as condições apropriadas reduzem o risco de ferimentos.
12. **Evite a ligação accidental. Certifique-se de que o interruptor se encontra na posição desligada antes de conectar a fonte de alimentação e/ou a bateria, e de pegar ou carregar a ferramenta.** Carregar ferramentas elétricas com o dedo no interruptor ou fornecer eletricidade à ferramenta com o interruptor ligado pode provocar acidentes.
13. **Retire qualquer chave de ajuste ou de fenda antes de ligar a ferramenta elétrica.** Uma chave inglesa ou de ajuste deixada em uma parte rotativa da ferramenta poderá resultar em ferimentos graves.
14. **Não tente se estender além do ponto de conforto. Mantenha-se sempre em uma posição firme e equilibrada.** Isto possibilitará mais controle da ferramenta elétrica em situações inesperadas.
15. **Use roupas apropriadas. Não use roupas largas ou jóias. Mantenha seus cabelos, roupas e luvas longe das peças rotativas.** Roupas soltas, jóias e cabelos longos podem ficar presos nas peças rotativas.
16. **Se forem fornecidos dispositivos para conexão do extrator e coletor de pó, certifique-se de que eles sejam conectados e usados devidamente.** O uso de coletor de pó pode reduzir os riscos relacionados à poeira.

Uso e cuidados da ferramenta elétrica

17. **Não force a ferramenta elétrica. Use a ferramenta elétrica apropriada para o trabalho.** A ferramenta elétrica correta irá executar o trabalho melhor e com mais segurança na velocidade para a qual foi projetada.
18. **Não use a ferramenta se o interruptor não liga e desliga.** Qualquer ferramenta elétrica que não puder ser controlada pelo interruptor é perigosa e precisará ser consertada.
19. **Desligue o plugue da tomada e/ou retire a bateria da ferramenta antes de realizar qualquer ajuste, trocar acessórios ou guardar as ferramentas elétricas.** Essas medidas preventivas de segurança reduzem o risco de ligar a ferramenta elétrica acidentalmente.
20. **Guarde as ferramentas elétricas fora do alcance de crianças e não permita que pessoas não familiarizadas com a ferramenta elétrica ou com**

este manual de instruções a utilizem. As ferramentas elétricas são perigosas nas mãos de usuários não treinados.

21. **Faça a manutenção de ferramentas elétricas. Verifique se há desbalanceamento ou atrito das peças rotativas, danos ou quaisquer outras condições que possam afetar o funcionamento da ferramenta elétrica. Se houver qualquer problema, leve a ferramenta para ser consertada antes de usar.** Muitos acidentes são causados por manutenção inadequada de ferramentas elétricas.
22. **Mantenha as ferramentas de corte sempre limpas e afiadas.** Ferramentas com cortes bem afiados tendem a ter menos atrito e são mais fáceis de controlar.
23. **Use a ferramenta elétrica, acessórios e peças de ferramenta, etc. de acordo com essas instruções, levando em consideração condições de trabalho e o trabalho a ser executado.** O uso da ferramenta elétrica para operações diferentes daquelas para as quais ela foi projetada pode resultar em situações perigosas.

Uso e cuidados da ferramenta alimentada por bateria

24. **Recarregue somente com o carregador especificado pelo fabricante.** Um carregador compatível com um tipo de bateria pode criar o risco de incêndio se usado em outra bateria.
25. **Use ferramentas elétricas somente com baterias especificamente designadas a elas.** O uso de qualquer outra bateria pode criar risco de ferimentos e incêndio.
26. **Quando a bateria não estiver em uso, mantenha-a longe de outros objetos metálicos, como cliques de papel, moedas, chaves, pregos, parafusos ou outros materiais metálicos pequenos que possam fazer uma conexão de um terminal a outro.** Provocar o curto circuito dos terminais de bateria pode causar queimaduras ou incêndio.
27. **Sob condições abusivas, pode ser ejetado líquido da bateria; evite contato. Se ocorrer o contato accidental, lave com bastante água. Se o líquido entrar em contato com os olhos, procure socorro médico.** O líquido ejetado da bateria pode causar irritação ou queimaduras.

Serviço

28. **Leve a sua ferramenta elétrica para ser consertada por pessoal técnico qualificado e use apenas peças de substituição idênticas.** Isto garantirá a segurança da sua ferramenta elétrica.
29. **Siga as instruções para lubrificação e troca de acessórios.**
30. **Mantenha as empunhaduras secas, limpas e sem óleo ou graxa.**

AVISOS DE SEGURANÇA DO SOPRADOR À BATERIA

GEB076-1

1. **Use sempre óculos de proteção, boné e máscara quando usar o soprador.**
2. **Nunca aponte o bico para uma pessoa nas proximidades quando utilizar o soprador.**
3. **Use sempre o saco de pó quando coletar pó, lascas e similares.**

4. Não colete cinzas de cigarro ainda acesas, fragmentos de metal recentemente cortados, parafusos, pregos e similares. Aviso - Pode ocorrer choque elétrico se usado em superfícies molhadas. Não exponha à chuva. Guarde em ambiente interno.
5. Nunca bloqueie a entrada de sucção e/ou a saída do soprador. A revolução maior do motor pode causar uma quebra perigosa do ventilador.
6. O soprador não é destinado ao uso por crianças ou pessoas fracas sem supervisão.
7. As crianças devem ser supervisionadas para assegurar que elas não brinquem com o soprador.

GUARDE ESTAS INSTRUÇÕES.

⚠ AVISO:

NÃO permita que a familiaridade ou a confiança no produto (adquiridas com o uso repetitivo) substitua a aderência estrita às normas de segurança do produto em questão. O USO INCORRETO ou a falha em seguir as normas de segurança descritas neste manual de instruções pode causar ferimentos graves.

INSTRUÇÕES IMPORTANTES DE SEGURANÇA

ENC007-5

PARA A BATERIA

1. Antes de usar a bateria, leia todas as instruções e símbolos de aviso no (1) carregador da bateria, (2) bateria e (3) produto usando a bateria.
2. Não desmonte a bateria.
3. Se o tempo de operação tornar-se extremamente curto, pare o funcionamento imediatamente. Se continuar, pode haver o risco de sobreaquecimento, queimaduras ou mesmo uma explosão.
4. Se entrar eletrólito nos olhos, lave com água limpa e busque atenção médica imediatamente. Pode ocorrer a perda de visão.
5. Não provoque curto-circuito na bateria:
 - (1) Não toque nos terminais com material condutor.
 - (2) Evite guardar a bateria numa caixa junto com outros objetos metálicos como pregos, moedas, etc.
 - (3) Não exponha a bateria à água ou à chuva. Um curto-circuito da bateria pode causar um fluxo grande de corrente, superaquecimento, queimaduras ou mesmo avarias.
6. Não guarde a ferramenta e a bateria em locais onde a temperatura possa atingir ou exceder 50°C (122°F).
7. Não queime a bateria mesmo que esteja muito danificada ou totalmente gasta. A bateria pode explodir no fogo.
8. Tenha cuidado para não deixar cair ou bater com a bateria.
9. Não use bateria danificada.

GUARDE ESTAS INSTRUÇÕES.

Sugestões para a máxima vida útil da bateria

1. Carregue a bateria antes que esteja totalmente esgotada.
Se notar diminuição de potência, pare de funcionar a ferramenta e carregue a bateria.
2. Jamais recarregue uma bateria que já esteja carregada.
Carregar demais diminui a vida útil da bateria.
3. Carregue a bateria em temperatura ambiente de 10°C a 40°C (50°F a 104°F).
Se a bateria estiver quente, aguarde até que esfrie antes de recarregá-la.

DESCRIÇÃO FUNCIONAL

ATENÇÃO:

- Certifique-se sempre de que a ferramenta esteja desligada e a bateria retirada antes de executar qualquer ajuste ou verificar o seu funcionamento.

Instalação e remoção da bateria (Fig. 1)

- Desligue sempre a ferramenta antes de colocar ou retirar a bateria.
- Para remover o cartucho da bateria, remova-o da ferramenta enquanto pressiona os botões nos dois lados do cartucho.
- Para colocar a bateria, alinhe a lingüeta da bateria com a ranhura do compartimento e deslize-a no lugar. Empurre-a até o fim para que a mesma se trave com um clique. Caso contrário, a mesma poderá cair acidentalmente e causar ferimentos no usuário ou em alguém por perto.
- Não use força para inserir a bateria. Se a mesma não deslizar facilmente, é sinal de que não está sendo encaixada corretamente.

Ação do interruptor

ATENÇÃO:

- Antes de colocar a bateria na ferramenta, verifique sempre se o gatilho do interruptor funciona normalmente e se retorna para a posição "OFF" quando soltá-lo.

Para ligar a ferramenta, simplesmente aperte o gatilho. A velocidade da ferramenta aumenta à medida que o gatilho é pressionado. Solte o interruptor gatilho para parar. (Fig. 2)

Seletor de ajuste de volume de ar

O volume de ar pode ser ajustado para qualquer um dos três ajustes girando o seletor de ajuste com o interruptor gatilho totalmente apertado. Consulte o quadro para detalhes da relação entre o número no seletor e o volume de ar.

Número no seletor	Volume de ar
3	Alta
2	Médio
1	Baixa

ATENÇÃO:

- Use o seletor de ajuste somente depois que o interruptor gatilho voltar para a posição "OFF" (desligado). Girar o seletor antes que gatilho retorne pode danificar a ferramenta.
- Se usar a ferramenta continuamente até acabar a bateria, deixe a ferramenta descansar por pelo menos 15 minutos antes de continuar com uma bateria carregada.

MONTAGEM

Sopro

Para soprar pó, anexe o bico à saída do soprador e gire para a direita para travá-lo no lugar. (Fig. 3)

Sucção de pó (Fig. 4)

Para sucção de pó, encaixe o bico na entrada de sucção e o saco de pó na saída do soprador.

Depois que o saco encher de pó, esvazie o conteúdo do saco de pó em uma lata de lixo soltando o prendedor. (Fig. 5)

ATENÇÃO:

- Esvazie o saco de pó antes de ficar cheio demais ou a força de sucção irá enfraquecer.

MANUTENÇÃO

ATENÇÃO:

- Certifique-se sempre de que a ferramenta esteja desligada e a bateria retirada antes de executar qualquer inspeção ou manutenção na ferramenta.
- Nunca utilize gasolina, benzina, solvente, álcool ou algo semelhante. Isso pode resultar em descoloração, deformação ou rachaduras.

Limpeza

De tempos em tempos, limpe o exterior da ferramenta usando um pano umedecido em água com sabão. Nunca utilize gasolina, diluente ou similar, senão poderá ocorrer descoloração e/ou rachaduras. (Fig. 6)

Para manter a SEGURANÇA e a CONFIABILIDADE do produto, os reparos e outros procedimentos de manutenção ou ajustes deverão ser realizados por centros de assistência técnica autorizada Makita, sempre utilizando peças de reposição originais Makita.

ACESSÓRIOS

ATENÇÃO:

- Os acessórios ou extensões especificados neste manual são recomendados para utilização com a sua ferramenta Makita. A utilização de outros acessórios ou extensões pode apresentar risco de ferimentos pessoais. Use um acessório ou extensão apenas para o fim a que se destina.

Se desejar informações detalhadas sobre esses acessórios, solicite-as ao centro de assistência técnica autorizada Makita local.

- Bico
- Saco coletor de pó

- Bico de canto
- Cano reto
- Mangueira flexível
- Junta
- Diversos tipos de baterias e carregadores genuínos Makita

Ruído

ENG905-1

O nível de ruído típico ponderado pela escala A de acordo com a diretiva EN60745:

Modelo BUB142

Nível de pressão sonora (L_{pA}): 86 dB (A)
Nível de potência sonora (L_{WA}): 97 dB (A)
Incerteza (K): 3 dB (A)

Modelo BUB182

Nível de pressão sonora (L_{pA}): 83 dB (A)
Nível de potência sonora (L_{WA}): 94 dB (A)
Incerteza (K): 3 dB (A)

Use protetores de ouvido.

Vibração

ENG900-1

O valor total de vibração (soma de vetor triaxial) determinado de acordo com a diretiva EN60745:

Modo de funcionamento: operação sem carga
Emissão de vibração (a_h): 2,5 m/s² ou menos
Incerteza (K): 1,5 m/s²

ENG901-1

- O valor de emissão de vibração declarado foi medido de acordo com o método de teste padrão e pode ser utilizado para comparar uma ferramenta com outra.
- O valor de emissão de vibração declarado pode também ser usado em uma avaliação preliminar de exposição.

⚠ AVISO:

- A emissão de vibração durante o uso atual da ferramenta elétrica pode diferir do valor de emissão declarado dependendo da maneira em que a ferramenta é usada.
- Certifique-se de identificar as medidas de segurança para proteger o operador, as quais são baseadas em uma estimativa de exposição nas condições reais de uso (levando em conta todas as partes do ciclo operacional, tais como os momentos quando a ferramenta é desligada e quando está funcionando em marcha lenta, além do tempo do acionador).

Somente para países europeus

ENH101-14

Declaração de Conformidade da CE

A Makita Corporation como fabricante responsável declara que a(s) seguinte(s) máquina(s) Makita:

Designação de máquina:

Soprador sem fio

Nº do modelo /Tipo: BUB142, BUB182

são de produção em série e

Estão em conformidade com as seguintes Diretivas Europeias:

2006/42/EC

E são fabricadas de acordo com os seguintes padrões ou documentos padronizados:

EN60745

A documentação técnica é mantida pelo nosso representante autorizado na Europa:

Makita International Europe Ltd.
Michigan Drive, Tongwell,
Milton Keynes, MK15 8JD, Inglaterra

30. 1. 2009



Tomoyasu Kato
Diretor
Makita Corporation
3-11-8, Sumiyoshi-cho,
Anjo, Aichi, JAPAN

LATVIEŠU (Oriģinālās instrukcijas)

Kopskata skaidrojums

- | | | |
|------------------------|----------------------------------|--------------------|
| 1. Sarkanā daļa | 5. Gaisa apjoma regulēšanas rīpa | 9. Putekļu maiss |
| 2. Taustiņš | 6. Slēdža sprūds | 10. Sūkšanas ieeja |
| 3. Akumulatora kasetne | 7. Sprausla | 11. Stiprinājums |
| 4. Rādītāji | 8. Pūtēja izvade | |

TEHNISKIE DATI

Modelis		BUB142	BUB182
Tehniskie lielumi	Gaisa spiediens (ūdens stabs)	0 - 550 mm	
	Gaisa apjoms	0 - 2,6 m ³ /min.	
Apģieziens minūtē bez slodzes (min ⁻¹)		0 - 18.000	
Kopējais garums		509 mm	
Neto svars		1,6 kg	1,7 kg
Nominālais spriegums		Līdzstrāva 14,4 V	Līdzstrāva 18 V

- Nepārtrauktās izpētes un attīstības programmas īstenošanas rezultātā šeit norādītie tehniskie dati bez brīdinājuma var tikt mainīti.
- Tehniskie dati un akumulatora kasetne dažādās valstīs var atšķirties.
- Svārs ar akumulatora kasetni atbilstošs EPTA procedūrai 01/2003.

Simboli END004-4

Zemāk ir attēloti simboli, kas attiecas uz iekārtu.

Pirms ekspluatācijas pārliecinieties, vai izprotat to nozīmi.



... Izlasiet rokasgrāmatu.



Tikai ES valstīs

Neizmest elektrisko aprīkojumu vai akumulatoru sadzīves atkritumos! Saskaņā ar Eiropas Direktīvu 2002/96/EK par elektrisko un elektronisko iekārtu atkritumiem, 2006/66/EK par baterijām un akumulatoriem, un bateriju un akumulatoru atkritumiem un to īstenošanu saskaņā ar valsts likumdošanu lietotais elektriskais aprīkojums un akumulators kalpošanas laika beigās jāsavāc atsevišķi un jānogādā otrreizējai pārstrādei vidi saudzējošā veidā.

Paredzētā izmantošana BNE018-1

Darbarīks paredzēts putekļu pūšanai.

Vispārējie mehanizēto darbarīku drošības brīdinājumi

GEA006-2

⚠ BRĪDINĀJUMS. Izlasiet visus drošības brīdinājumus un visus norādījumus. Neievērojot tālāk minētos brīdinājumus un norādījumus, var saņemt elektriskās strāvas triecienu, izraisīt ugunsgrēku un/vai gūt nopietnu ievainojumu.

Saglabājiet visus brīdinājumus un norādījumus turpmākai uzziņai.

Termiņš „mehanizēts darbarīks” brīdinājumos attiecas uz tādu mehanizēto darbarīku, ko darbina ar elektrību (ar vadu), vai tādu, ko darbina ar akumulatoru (bez vada).

Darba vietas drošība

1. **Rūpējieties, lai darba vieta būtu tīra un labi apgaismota.** Nesakārtotā vai vāji apgaismotā darba vietā iespējams izraisīt negadījumus.
2. **Nelietojiet mehanizētos darbarīkus sprādzienbīstamā vidē, piemēram, uzliesmojošu šķidrums, gāzu vai putekļu tuvumā.** Mehanizētie darbarīki rada dzirksteles, kas var aizdedzināt putekļus vai izgarojumu tvaikus.
3. **Strādājot ar mehanizēto darbarīku, neļaujiet tuvumā atrasties bērniem un nepiederošām personām.** Novēršot uzmanību, varat zaudēt kontroli pār darbarīku.

Elektriskā drošība

4. **Mehanizētā darbarīka kontaktdakšai jāatbilst kontaktlīgždai. Nekad nekadā veidā nepārveidojiet kontaktdakšu. Iezemētiem mehanizētajiem darbarīkiem neizmantojiet nekādas pārejas kontaktdakšas.** Lietojot nepārveidotas kontaktdakšas un atbilstošas kontaktlīgždas, mazināsiet elektriskās strāvas trieciena riskus.
5. **Izvairieties no pieskaršanās iezemētām virsmām, piemēram, caurulēm, radiatoriem, plītim un ledusskapjiem.** Ja jūsu ķermenī ir iezemēts, pastāv lielāks elektriskās strāvas trieciena risks.
6. **Neatstājiet mehanizētos darbarīkus lietū vai mitros apstākļos.** Ja mehanizētajā darbarīkā nokļūš ūdens, palielināsiet elektriskās strāvas trieciena risks.
7. **Lietojiet strāvas vadu pareizi. Nekad nepārnēsājiet, nevelciet vai neatvienojiet mehanizēto darbarīku no kontaktlīgždas, turot to aiz vada. Sargājiet vadu no siltuma avotiem, eļļas, asām malām vai kustīgajām detaļām.** Ja vads ir

bojāts vai sapinies, pastāv lielāks elektriskās strāvas trieciena risks.

8. **Ekspluatējot mehanizēto darbarīku ārpus telpām, izmantojiet tādu pagarinājuma vadu, kas paredzēts lietošanai brīvā dabā.** Izmantojot vadu, kas paredzēts lietošanai ārpus telpām, pastāv mazāks elektriskās strāvas trieciena risks.
9. **Ja mehanizētais darbarīks noteikti jālieto mitrā vidē, izmantojiet zemējuma bojātas ķēdes slēdža (Ground Fault Circuit Interrupter - GFCI) aizsargāto inventāru.** GFCI ierīces izmantošana samazina elektriskās strāvas trieciena briesmas.

Personīgā drošība

10. **Ekspluatējot mehanizēto darbarīku, esiet uzmanīgi, sekojiet savai darbībai un rīkojieties prātīgi. Nelietojiet mehanizēto darbarīku, ja esat noguris vai atrodaties narkotiku, alkohola vai medikamentu ietekmē.** Pat viens mirklis neuzmanības mehanizēto darbarīku ekspluatācijas laikā var izraisīt nopietnu ievainojumu.
11. **Izmantojiet individuālās aizsardzības līdzekļus. Vienmēr valkājiet acu aizsargus.** Attiecīgos apstākļos lietojot aizsardzības piederumus, piemēram, putekļu masku, aizsargapavus ar neslīdošu zoli, aizsargķiveri vai ausu aizsargus, mazināsies risks gūt ievainojumus.
12. **Nepieļaujiet nejašu iedarbināšanu. Pirms darbarīka pievienošanas barošanas avotam un/vai akumulatoram, darbarīka pacelšanas vai nešanas pārbaudiet, vai slēdzis ir izslēgtā stāvoklī.** Mehanizētā darbarīka nešana ar pirkstu uz slēdža vai tāda mehanizētā darbarīka pievienošana kontaktam, kura slēdzis ir ieslēgtā stāvoklī, rada negadījumus.
13. **Pirms mehanizētā darbarīka ieslēgšanas noņemiet no tā visus regulēšanas instrumentus un uzgriežņatslēgas.** Ja mehanizētā darbarīka rotējošajai daļai būs piestiprināta uzgriežņatslēga vai instruments, iespējams gūt ievainojumu.
14. **Nesniedzieties pārāk tālu. Vienmēr cieši stāviet uz piemērota atbalsta un saglabājiet līdzsvaru.** Tādējādi neparedzētās situācijās daudz labāk varēsiet saglabāt kontroli pār mehanizēto darbarīku.
15. **Valkājiet piemērotu apģērbu. Nevalkājiet pārāk brīvu apģērbu vai rotaslietas. Kustīgajām daļām netuviniet ne matas, ne apģērbu, ne cimdus. Brīvs apģērbs, rotaslietas vai gari mati var ieķerties kustīgajās daļās.**
16. **Ja darbarīkam ir paredzēts pievienot putekļu atsūkņēšanas un savākšanas ierīces, obligāti tās pievienojiet un ekspluatējiet pareizi.** Lietojot putekļu savākšanas ierīces, iespējams mazināt putekļu kaitīgo ietekmi.

Mehanizētā darbarīka ekspluatācija un apkope

17. **Nelietojiet mehanizēto darbarīku ar spēku. Izmantojiet konkrētam gadījumam piemērotu mehanizēto darbarīku.** Ar pareizi izvēlētu mehanizēto darbarīku tā efektivitātes robežās paveiksiet darbu daudz labāk un drošāk.
18. **Neekspluatējiet mehanizēto darbarīku, ja to ar slēdzi nevar ne ieslēgt, ne izslēgt.** Ja mehanizēto

darbarīku nav iespējams kontrolēt ar slēdža palīdzību, tas ir bīstams un ir jāsalabo.

19. **Pirms mehanizēto darbarīku regulēšanas, piederumu nomainīšanas vai novietošanas glabāšanā no barošanas avota atvienojiet kontakt dakšu un/vai no mehanizētā darbarīka izņemiet akumulatoru.** Šādu drošības aizsargpasākumu rezultātā mazinās nejašas mehanizētā darbarīka iedarbināšanas risks.
20. **Glabājiet mehanizētos darbarīkus, kas netiek darbināti, bērniem nepieejamā vietā un neatļaujiet to ekspluatēt personām, kas nav apmācītas to lietošanā vai nepārzina šos noteikumus.** Mehanizētie darbarīki kļūst bīstami, ja tos ekspluatē neapmācītas personas.
21. **Veiciet mehanizēto darbarīku tehnisko apkopi. Pārbaudiet, vai kustīgās daļas ir pareizi savienotas un nostiprinātas, vai detaļas nav bojātas, kā arī vai nav kāds cits apstāklis, kas varētu ietekmēt mehanizēto darbarīku darbību. Ja mehanizētais darbarīks ir bojāts, pirms ekspluatācijas tas ir jāsalabo.** Daudzu negadījumu cēlonis ir tādi mehanizētie darbarīki, kam nav veikta pienācīga tehniskā apkope.
22. **Regulāri uzasiniet un fīriet griezējinstrumentus.** Ja griezējinstrumentiem būs veikta pienācīga tehniskā apkope un tie būs uzasināti, pastāv mazāks to iestrēgšanas risks, un tos ir vieglāk vadīt.
23. **Mehanizēto darbarīku, tā piederumus un detaļas u. c. ekspluatējiet saskaņā ar šiem norādījumiem, ievērojot darba apstākļus un veicamā darba specifiku.** Ja mehanizēto darbarīku lietosiet tam neparedzētiem mērķiem, var rasties bīstama situācija.

Akumulatora ekspluatācija un apkope

24. **Uzlādei izmantojiet tikai ražotāja norādītos uzlādētājus.** Vienam akumulatoru tipam paredzēta uzlādētāja izmantošana cita tipa akumulatoru uzlādei var radīt ugunsgrēka risku.
25. **Izmantojiet mehanizētos darbarīkus tikai ar paredzētajiem akumulatoriem.** Jebkura cita tipa akumulatoru izmantošana var radīt ievainojuma un ugunsgrēka risku.
26. **Kamēr akumulators netiek izmantots, neturiet to blakus metāla priekšmetiem, piemēram, saspraudēm, monētām, atslēgām, naglām, skrūvēm un citiem nelieliem metāla priekšmetiem, kas var savienot izvadus.** Akumulatora izvadus savienojums var izraisīt uzliesmojumu vai ugunsgrēku.
27. **Nepareizas lietošanas gadījumā šķidrums var iztectē no akumulatora, nepieskarieties tam. Ja jūs nejausi pieskārieties šķidrumam, noskalojiet saskares vietu ar ūdeni. Ja šķidrums nokļūst acīs, papildus iepriekš minētajam, griezieties pie ārsta.** No akumulatora izteču šķidrums var izraisīt kairinājumu vai apdegumus.

Apkope

28. **Uzticiet savu mehanizētā darbarīka apkopi kvalificētam remontstrādniekam, lietojot tikai**

identiskas rezerves daļas. Tādējādi varēsīt būt droši, ka saglabāsies mehānizētā darbarīka drošība.

29. Ievērojiet eļļošanas un piederumu nomainīšanas noteikumus.
30. Rūpējieties, lai rokturi vienmēr būtu sausi, tīri un lai uz tiem nebūtu eļļas un smērvielas.

DROŠĪBAS BRĪDINĀJUMI BEZVADU PŪTĒJA LIETOŠANAI

GEB076-1

1. Strādājot ar pūtēju, vienmēr lietojiet aizsargbrilles, cepuri un masku.
2. Strādājot ar pūtēju, nekad nevērsiet tā uzgali pret tuvumā esošiem cilvēkiem.
3. Putekļu, šķembu un citu atkritumu savākšanai vienmēr izmantojiet putekļu maisu.
4. Nevāciet kvēlojošus cigarešu pelnus, tikko grieztas metāla skaidas, skrūves, naglas u. c. Brīdinājums - izmantojot uz mitrām virsmām, iespējams elektriskās strāvas trieciens. Neatstājiet lietū. Glabājiet iekštelpās.
5. Nekad nenobloķējiet iesūkšanas atveri un/vai pūtēja izeju. Pārāk augsti motora apgriezieni var izraisīt bīstamus ventilatora bojājumus.
6. Pūtēju nedrīkst lietot bērni vai nevarīgi cilvēki bez uzraudzības.
7. Mazi bērni ir jāuzrauga, lai nodrošinātu, ka viņi nespējās ar pūtēju.

SAGLABĀJIET ŠOS NORĀDĪJUMUS.

BRĪDINĀJUMS.

NEZAUDĒJIET modrību darbarīka lietošanas laikā (tas var gadīties pēc darbarīka daudzkārtējas izmantošanas), rūpīgi ievērojiet urbšanas drošības noteikumus šim izstrādājumam. NEPAREIZI LIETOJOT darbarīku vai neievērojot šajā lietošanas instrukcijā minētos drošības noteikumus, varat gūt nopietnus savainojumus.

SVARĪGAS DROŠĪBAS NORĀDES

ENC007-5

PAR AKUMULATORA KASETNI

1. Pirms akumulatora lādētāja izmantošanas izlasiet visas norādes un brīdinājumus, kas attiecas uz (1) akumulatora lādētāju, (2) akumulatoru un (3) ierīci, kurā tiek izmantots akumulators.
2. Nekad neizjauciet akumulatora kasetni.
3. Ja akumulatora darbības laiks ir kļuvis ievērojami īsāks, nekavējoties pārtrauciet to izmantot. Citādi, tas var izraisīt ierīces pārkaršanu, aizdegšanos vai pat sprādzienu.
4. Ja kontrolēts nonāk acīs, izskalojiet tās ar tīru ūdeni un nekavējoties griezieties pie ārsta. Tas var izraisīt akumu.
5. Neradiet akumulatorā īssavienojumu:
(1) Nepieskarieties spailēm ne ar kādu elektrību vadošu materiālu.

- (2) Neuzglabājiet akumulatora kasetni kopā ar citiem metāla priekšmetiem, piemēram, naglām, monētām utt.
- (3) Nepakļaujiet akumulatora kasetni ūdens vai lietus iedarbībai. Īssavienojums var radīt lielu strāvas plūsmu, pārkaršanu, var radīt apdegumus vai pat samaņas zaudēšanu.
6. Neuzglabājiet darbarīku un akumulatora kasetni vietās, kur temperatūra var sasniegt vai pārsniegt 50 °C (122 °F).
7. Nededziniet akumulatora kasetni, pat ja tā ir stipri bojāta vai pilnībā nolietota. Akumulatora kasetne ugunī var eksplodēt.
8. Uzmanieties, lai neļautu akumulatoram nokrist un nepakļautu to sītiem.
9. Neizmantojiet bojātu akumulatoru.

SAGLABĀJIET ŠOS NORĀDĪJUMUS.

Ieteikumi akumulatora kalpošanas laika pagarināšanai.

1. Uzlādējiet akumulatora kasetni pirms tā pilnīgi izlādējusies. Ja pamanāt jaudas zudumu, vienmēr pārtrauciet darbu un izslēdziet darbarīku.
2. Nekad nelādējiet pilnībā uzlādētu akumulatora kasetni. Pārlādēšana saīsina akumulatora kalpošanas laiku.
3. Lādējiet akumulatora kasetni istabas temperatūrā 10 °C - 40 °C (50 °F - 104 °F). Karstai akumulatora kasetnei pirms uzlādes ļaujiet atdzist.

FUNKCIJU APRAKSTS

UZMANĪBU:

- Pirms darbarīka regulēšanas vai tā darbības pārbaudes vienmēr pārliecinieties, ka darbarīks ir izslēgts un akumulatora kasetne ir izņemta.

Akumulatoru kasetnes uzstādīšana un izņemšana (1. att.)

- Pirms akumulatoru kasetnes uzstādīšanas vai izņemšanas vienmēr izslēdziet darbarīku.
- Lai izņemtu akumulatoru kasetni, piespiediet un turiet tās abās pusēs esošos taustiņus un velciet to ārā no darbarīka.
- Lai uzstādītu akumulatora kasetni, salāgojiet mēlīti uz akumulatora kasetnes ar rievu ietvarā un iebīdīet to vietā. Vienmēr bīdīet to iekšā līdz klikšķim, kas nozīmē, ka tā ir pareizi uzstādīta. Pretējā gadījumā tā var nejauši izkrist no darbarīka un radīt Jums vai apkārtējiem ievainojumu.
- Ievietojot akumulatoru kasetni, nespiediet to ar spēku. Ja kasetne neslīd ietvarā viegli, tā nav pareizi ielikta.

Slēdža darbība

UZMANĪBU:

- Pirms akumulatora kasetnes uzstādīšanas darbarīkā, vienmēr pārbaudiet, vai slēdža sprūds darbojas pareizi un pēc atlaišanas atgriežas stāvoklī „OFF” (Izslēgts).

Lai iedarbinātu darbarīku, vienkārši spiediet slēdža sprūdu. Darbarīka ātrums pieaug, palielinoties spiedienam uz slēdža sprūda. Lai apturētu darbarīku, atlaidiet slēdža sprūdu. (2. att.)

Gaisa apjoma regulēšanas ripa

Gaisa apjomu var regulēt trīs iestatījumos - kad slēdža sprūds pilnībā atlaists, pagrieziet regulēšanas ripu. Informāciju par gaisa apjoma saistību un ciparu uz ripas skatiet šajā tabulā.

Cipars uz regulēšanas ripas	Gaisa apjoms
3	Liels
2	Vidējs
1	Mazs

UZMANĪBU:

- Regulēšanas ripu grieziet tikai pēc tam, kad slēdža sprūds atgriežas stāvoklī „OFF” (Izslēgts). Grieztot ripu pirms slēdža sprūda atlaišanas, var sabojāt darbarīku.
- Ja darbarīks tiek darbināts nepārtraukti, līdz akumulatora kasetne ir izlādējies, pirms turpināt darbu ar jaunu akumulatoru, izslēdziet darbarīku uz 15 minūtēm.

MONTĀŽA

Pūšana

Lai pūstu putekļus, pie pūtēja izvades pievienojiet sprauslu un pagrieziet to pulksteņrādītāju kustības virzienā. (3. att.)

Putekļu sūkšana (4. att.)

Lai sūktu putekļus, piestipriniet sprauslu sūkšanas ieejai, un putekļu maisu - pūtēja izvadi.

Kad putekļu maiss ir pilns, atvienojiet stiprinājumu un iztukšojiet tā saturu atkritumu tvertnē. (5. att.)

UZMANĪBU:

- Iztukšojiet putekļu maisus iekams tas piepildās līdz galam vai arī, ja pavājinās sūkšanas spēks.

APKOPE

UZMANĪBU:

- Pirms darbarīka pārbaudes vai apkopes vienmēr pārliecinieties, ka darbarīks ir izslēgts un akumulatora kasetne ir noņemta.
- Nekad neizmantojiet gazoļnu, benzīnu, atšķaidītāju, spirtu vai līdzīgus šķīdumus. Tas var radīt izbalēšanu, deformāciju vai plaisas.

Tīrīšana

Laiku pa laikam tīriet darbarīka ārpusi ar vājā ziepjuendenī nedaudz samitrināt lupatiņu. Nekad neizmantojiet

benzīnu, šķīdinātāju vai līdzīgas vielas - darbarīks var zaudēt krāsu vai tā virsma saplaisāt. (6. att.)

Lai izstrādājums darbotos DROŠI un UZTICAMI, remontdarbus, apkopi un regulēšanu uzticiet tikai Makita pilnvarotam apkopes centram un vienmēr izmantojiet tikai Makita rezerves daļas.

PAPILDU PIEDERUMI

UZMANĪBU:

- Šos piederumus vai papildierīces ieteicams izmantot kopā ar šajā rokasgrāmatā aprakstīto Makita instrumentu. Izmantojot citus piederumus vai papildierīces, var būt ievainojumus. Piederumu vai papildierīci izmantojiet tikai tai paredzētajam nolūkam. Ja nepieciešama sīkāka informācija par šiem piederumiem, jautājiet to vietējā Makita servisa centrā.

- Sprausla
- Putekļu maiss
- Stūra sprausla
- Taisnā caurule
- Lokanā šļūtene
- Savienojums
- Dažādi Makita ražotie akumulatori un lādētāji

Troksnis

ENG905-1

Tipveida A svērtais skaņas līmenis noteikts saskaņā ar standartu LVS EN 60745:

Modelis BUB142

Skaņas spiediena līmenis (L_{pA}): 86 dB (A)
Skaņas jaudas līmenis (L_{WA}): 97 dB (A)
Nenoteiktība (K): 3 dB (A)

Modelis BUB182

Skaņas spiediena līmenis (L_{pA}): 83 dB (A)
Skaņas jaudas līmenis (L_{WA}): 94 dB (A)
Nenoteiktība (K): 3 dB (A)

Lietojiet ausu aizsardzības līdzekļus.

Vibrācija

ENG900-1

Vibrācijas kopējā vērtība (trīs asu vektora summa) noteikta saskaņā ar LVS EN 60745:

Darba režīms: darbība bez noslodzes
Vibrācija (a_h): 2,5 m/s² vai mazāk
Nenoteiktība (K): 1,5 m/s²

ENG901-1

- Paziņotā vibrācijas emisijas vērtība noteikta atbilstoši standarta pārbaudes metodei un to var izmantot, lai salīdzinātu vienu darbarīku ar citu.
- Paziņoto vibrācijas emisijas vērtību arī var izmantot iedarbības sākotnējā novērtējumā.

⚠ BRĪDINĀJUMS.

- Reāli lietojot mehanizēto darbarīku, vibrācijas emisija var atšķirties no paziņotās emisijas vērtības atkarībā no darbarīka izmantošanas veida.
- Lai aizsargātu lietotāju, nosakiet drošības pasākumus, kas pamatoti ar iedarbību reālos darba apstākļos (ņemot vērā visus ekspluatācijas cikla posmus, piemēram, laiku, kamēr darbarīks ir izslēgts un kad darbojas tukšgaitā, kā arī palaides laiku).

EK atbilstības deklarācija

**Uzņēmums „Makita Corporation”, kā atbildīgais
ražotājs paziņo, ka šāds/-i „Makita” instruments/-i:**

Darbarīka nosaukums:

Bezvadu pūtējs

Modeļa Nr./ tips: BUB142, BUB182

Ir sērijveida izstrādājums(-i) un

Atbilst šādām Eiropas Savienības Direktīvām:

2006/42/EK

Un ražoti saskaņā ar šādiem standartiem vai
normatīvajiem dokumentiem:

LVS EN 60745

Tehnisko dokumentāciju uztur mūsu pilnvarots pārstāvis

Eiropā –

Makita International Europe Ltd.

Michigan Drive, Tongwell

Milton Keynes, MK15 8JD, England

30. 1. 2009



Tomojasu Kato

Direktors

Makita Corporation

3-11-8, Sumiyoshi-cho,

Anjo, Aichi, JAPAN

Üldvaate selgitus

- | | | |
|---------------|------------------------------|-------------------------|
| 1. Punane osa | 5. Õhumahu reguleerimisketas | 9. Tolmukott |
| 2. Nupp | 6. Lülitit päästik | 10. Imuri sisselaskeava |
| 3. Akukassett | 7. Otsak | 11. Fiksaator |
| 4. Osutid | 8. Puhuri väljalaskeava | |

TEHNILISED ANDMED

Mudel	BUB142	BUB182
Suutlikkus	Õhurõhk (veesammas)	
	0 - 550 mm	
	Õhumaht	
	0 - 2,6 m ³ /min	
Kiirus ilma koormuseta (min ⁻¹)		
0 - 18.000		
Kogupikkus		
509 mm		
Netokaal		1,7 kg
1,6 kg		
Nimipinge		Alalisvool 18 V
Alalisvool 14,4 V		

- Meie uurimis- ja arendusprogrammi jätkumise tõttu võivad siin esitatud tehnilised andmed ette teatamata muutuda.
- Spetsifikatsioonid ja akukassett võivad riigiti erineda.
- Kaal koos akukassetiga vastavalt EPTA-protseduurile 01/2003

Sümbolid END004-4

Järgnevalt kirjeldatakse seadmetel kasutatavaid tingimärke.

Veenduge, et olete nende tähendusest aru saanud enne seadme kasutamist.



... Lugege kasutusjuhendit.



Üksnes EL liikmesriikidele

Ärge käideldge kasutuskõlbmatuks muutunud elektriseadmeid ega akusid koos olmejäätmetega!

Vastavalt Euroopa Parlamendi ja Nõukogu direktiivile 2002/96/EÜ elektri- ja elektroonikaseadmete jäätmete kohta, direktiivile 2006/66/EÜ patareide ja akude ning patarei- ja akujäätmete kohta ning nende nõuete kohaldamisele liikmesriikides tuleb kasutuskõlbmatuks muutunud elektriseadmed ja akud koguda eraldi ja keskkonnasäästlikult korduskasutada või ringlusse võtta.

Mõeldud kasutus BNE018-1

See tööriist on mõeldud tolmu puhumiseks.

Üldised elektritööriistade ohutusnõuded

GEA006-2

⚠ HOIATUS! Lugege läbi kõik ohutusnõuded ja kõik juhised. Hoiatuste ja juhiste eiramise tulemuseks võib olla elektrilöök, tulekahju ja/või tõsine vigastus.

Hoidke kõik hoiatused ja juhised edaspidiseks alles.

Hoiatustes tähistab termin „elektritööriist“ voolutoitega (juhtmega) tööriista või akutoitega (juhtmata) tööriista.

Tööpiirkonna ohutus

1. **Tööpiirkond peab olema puhas ja hästi valgustatud.** Asju täiskuhjatud või pimedad alad soodustavad õnnetuste teket.
2. **Ärge kasutage elektritööriistu plahvatusohtlikus keskkonnas, nagu tuleohtlike vedelike, gaaside või tolmu läheduses.** Elektritööriistad tekitavad sädemeid, mis võivad süüdata tolmu või auru.
3. **Hoidke lapsed ja kõrvalised isikud elektritööriistaga töötamise ajal eemal.** Tähelepanu kõrvalejuhtimisega võib kaasneda enesekontrolli kaotus.

Elektriohutus

4. **Elektritööriistade pistik peab sobima pistikupesaga. Ärge kunagi muutke pistikut mis tahes moel. Ärge kasutage adapterpistikuid maandatud elektritööriistadega.** Muutmata pistikud ja sobivad pistikupesad vähendavad elektrilöögi riski.
5. **Vältige keha kokkupuudet maandatud pindadega nagu torud, radiaatorid, pliidid ja külmikud.** Eksisteerib suurenenud elektrilöögi risk, kui Teie keha on maandatud.
6. **Elektritööriistad ei tohi sattuda vihma kätte või märga keskkonda.** Elektritööriista sattunud vesi suurendab elektrilöögi riski.
7. **Ärge kahjustage toitejuhet. Ärge kunagi kasutage seadme toitejuhet elektritööriista kandmiseks, tõmbamiseks või pistikupesast väljatõmbamiseks.** Hoidke juhe eemal kuumast, õlist, teravatest nurkadest või liikuvatest osadest. Kahjustatud või sassis juhtmed suurendavad elektrilöögi riski.
8. **Kui töötate elektritööriistaga välitingimustes, kasutage sellist pikendusjuhet, mis sobib väljas kasutamiseks.** Välitingimustesse sobiva pikendusjuhtme kasutamine vähendab elektrilöögi riski.
9. **Kui elektritööriista käitamine niiskes kohas on paratamatu, kasutage maalühise vooluahela**

katkestiga (GFCI) kaitstud varustust. Maalühise vooluahela katkestiga (GFCI) kaitstud varustuse kasutus vähendab elektrišoki ohtu.

Isiklik ohutus

10. **Püsige ergas, jälgige pidevalt, mida teete ning kasutage elektritööriista kasutamisel tervet mõistust. Ärge kasutage elektritööriista väsinult või narkootikumide, alkoholi või ravimite tarvitamisel.** Üks tähelepanematus hetk ajal, mil töötate elektritööriistadega, võib endaga kaasa tuua tõsised tervisekahjustusi.
11. **Kasutage isiklikke kaitsevahendeid. Kasutage alati kaitseprille.** Kaitsevahendid, nagu näiteks oludesse sobivad tolmutmask, libesemiskindlad turvajalatsid, kõva peakate või kõrvaklapid, vähendavad tervisekahjustusi.
12. **Vältige juhukäivitust. Enne tööriista vooluvõrku ja/ või akukassetiga ühendamist, ülesvõtmist või kandmist veenduge, et lüliti on väljalülitatud asendis.** Kui hoiate tööriista kandes sõrme lüliti või ühendate elektritööriista vooluvõrku, kui lüliti on sisselülitatud asendis, juhtuvad sageli õnnetused.
13. **Eemaldage reguleerimis- ja mutrivõtmed enne elektritööriista käivitamist.** Mutrivõti või mõni muu võti, mis on jäetud elektritööriista pöörleva osa külge, võib põhjustada tervisekahjustusi.
14. **Ärge püüdke liiga kaugele küünitada. Hoidke kogu aega jalad kindlalt maas ning säilitage tasakaalu.** See tagab parema kontrolli elektritööriista üle ootamatutes olukordades.
15. **Riietuge sobivalt. Ärge kandke laiu rõivaid ega ehteid. Hoidke juuksed, riided ja kindad eemal liikuvatest osadest.** Laiad riideesemed, ehted või pikad juuksed võivad liikuvate osade vahele takerduda.
16. **Ühendage tolmutpüüde- ja tolmutkogumisseadmed nende ühendamiseks vajalike rakiste olemasolul ning kasutage nimetatud seadmeid nõuetekohaselt.** Tolmutkogumisseadmete kasutamine võib vähendada tolmut seotud ohte.

Elektritööriista kasutamine ja hooldus

17. **Ärge kasutage elektritööriista suhtes jõudu. Kasutage tööks sobilikku elektritööriista.** Elektritööriist töötab paremini ja ohutumalt võimsusel, mis on tööks ette nähtud.
18. **Ärge elektritööriista kasutage, kui seda lülitist sisse ja välja lülitada ei saa.** Iga elektritööriist on ohtlik, kui seda ei saa lülitist reguleerida, ning see tuleb parandada.
19. **Ühendage elektritööriista vooluvõrgust välja ja/ või aku küljest lahti enne mis tahes muudatuste tegemist, tarvikute vahetamist või elektritööriistade hoiustamist.** Sellised ennetavad ohutusmeetmed vähendavad elektritööriista juhukäivituse riski.
20. **Hoiustage elektritööriista, mida ei kasutata, laste käelähtes eemal ning ärge lubage kõrvalseisjatel, kes pole elektritööriista ega käesoleva juhendiga tutvunud, elektritööriistaga**

töötada. Kogenematute kasutajate käes on elektritööriista ohtlikud.

21. **Hooldage elektritööriista. Kontrollige liikuvate osade kohakuti olemist, nende paindumist või purunemist ja teisi tingimusi, mis võivad mõjutada tööriista töövõimet.** Katkised osad tuleb enne kasutamist parandada. Halvasti hooldatud elektritööriista on põhjustanud mitmeid õnnetusjuhtumeid.
22. **Hoidke lõikeriistad teravad ja puhtad.** Korralikult hooldatud lõikeriistad, millel on teravad lõikeservad, ei kiilu nii lihtsalt kinni ning neid on lihtsam käsitseda.
23. **Kasutage antud elektritööriista, lisatarvikuid, tööriista otsakuid jne vastavalt käesolevale juhendile ning antud tüüpi elektritööriista jaoks ettenähtud viisil, võttes arvesse töötingimusi ning planeeritava töö isearusid.** Elektritööriistade kasutamine ettenähtust erinevatel eesmärkidel võib põhjustada ohtlikke olukordi.

Akuga tööriista kasutamine ja hooldus

24. **Kasutage laadimiseks ainult tootja poolt ette nähtud laadijat.** Laadija, mis sobib ühte tüüpi akuga, võib põhjustada tulekahju, kui seda kasutada koos mõnda teist tüüpi akuga.
25. **Kasutage elektritööriista üksnes spetsiaalselt neile toodetud akukassetidega.** Mis tahes muude akude kasutamine võib põhjustada kehavigastusi ja tulekahju.
26. **Kui akut ei kasutata, ärge hoidke seda koos muude metalliesemetega, nagu kirjaklambrid, mündid, võtmed, naelad, kruvid jm väiksed metalliesemed, mis võivad tekitada ühenduse klemmide vahel.** Akuklemmide lühisesse laskmine võib põhjustada põletusi või tulekahju.
27. **Väärkasutamise tagajärjel võib akut välja valguda vedelikku – ärge seda puudutage.** Kui olete selle vedelikuga on siiski kogemata kokku puutunud, uhtuge antud kohta veega. Kui vedelik on sattunud silma, minge ka arsti juurde. Akust väljavalgunud vedelik võib põhjustada ärritust ja põletusi.

Hooldus

28. **Laske elektritööriista hooldada eksperdil, kes kasutab vaid sobivaid originaalvaruosi.** Sellisel juhul säilib elektritööriista ohutus.
29. **Ärge õlitamist ja tarvikute vahetamist puudutavaid juhiseid.**
30. **Hoidke käepidemed kuivad ja puhtad. Need ei tohi olla õlised ega määrdesed.**

AKUGA PUHURI OHUTUSNÕUDED

GEB076-1

1. **Puhuri kasutamisel kandke alati kaitseprille, mütsi ja maski.**
2. **Puhuri kasutamisel ärge kunagi suunake otsakut läheduses viibijatele.**
3. **Tolmu, laastude jms kogumisel kasutage alati tolmutkotti.**

- Ärge koguge hõõguvat sigaretituhka, äsja lõigatud metallide lõikejätmeid, kruvisid, naelu jms. Hoiatus – tööriista kasutamine märgadel pindadel võib põhjustada elektrilöögi. Ärge jätke vihma kätte. Säilitage siseruumides.
- Ärge kunagi tõkestage imiava ja/või väljapuhkeava. Mootori suurenenud pöörete arv võib põhjustada ohtliku ventilaatori purunemise.
- Akulaadija ei ole mõeldud kasutamiseks väikestele lastele ega haigetele inimestele ilma järelevalveta.
- Väikesed lapsed peavad olema järelevalve all, kindlustamaks, et nad akulaadijaga ei mängi.

HOIDKE JUHEND ALLES.

⚠ HOIATUS:

ÄRGE laske mugavusel ega kogemustel tootega töötamisest (omandatud korduvas kasutamisest) asendada tootega seotud ohutusnõuete ranget järgimist. VALE KASUTUS või käesoleva kasutusjuhendi ohutuse eeskirjade eiramine võib põhjustada tervisekahjustusi.

OLULISED OHUTUSEESKIRJAD

ENC007-5

AKUKASSETI KOHTA

- Enne akukassetti kasutamist lugege (1) akulaadijal, (2) akul ja (3) seadmel olevad kõik juhised ja hoiatused läbi.
- Ärge akukassetti lahti monteerige.
- Kui tööaeg järjest lüheneb, siis lõpetage kasutamine koheselt. Edasise kasutamise tulemuseks võib olla ülekuumenemisoht, võimalikud põletused või isegi plahvatus.
- Kui elektroliit satub silma, siis loputage silma puhta veega ja pöörduge koheselt arsti poole. Selline õnnetus võib põhjustada pimedaksjäämist.
- Ärge tekitage akukassettis lühist:
 - Ärge puutuge klemme elektrijuhtidega.
 - Ärge hoidke akukassetti tööriistakastis koos metalliesemetega, nagu naelad, mündid jne.
 - Ärge tehke akukassetti märjaks ega jätke seda vihma kätte. Aku lühis võib põhjustada tugevat elektrivoolu, ülekuumenemist, põletusi ning ka seadet tõsiselt kahjustada.
- Ärge hoidke tööriista ja akukassetti kohtades, kus temperatuur võib tõusta üle 50°C.
- Ärge põletage akukassetti isegi siis, kui see on saanud tõsiselt vigastada või on täiesti kulunud. Akukassett võib tules plahvatada.
- Olge ettevaatlik ning ärge laske akul maha kukkuda või lööge seda.
- Ärge kasutage kahjustatud akut.

HOIDKE ANTUD JUHENDID ALLES.

Näpunäiteid aku maksimaalse kasutusaja tagamise kohta

- Laadige akukassetti enne, kui see saab täiesti tühjaks. Alati, kui märkate, et tööriist töötab väiksema võimsusega, peatage töö ja laadige akut.
- Ärge kunagi laadige täislaetud akukassetti. Liigne laadimine lühendab aku kasutusiga.
- Laadige akukassetti toatemperatuuril 10°C - 40°C. Laske kuulal akukassetil enne laadimist maha jahutada.

FUNKTSIONAALNE KIRJELDUS

ETTEVAATUST!

- Kandke alati hoolt selle eest, et tööriist oleks enne reguleerimist ja kontrollimist välja lülitatud ja akukassett eemaldatud.

Akukassetti paigaldamine ja eemaldamine (Joon. 1)

- Enne akukassetti paigaldamist või eemaldamist lülitage tööriist alati välja.
- Akukassetti äravõtmiseks eemaldage see tööriistast vajutusega kassetti mõlemal küljel paiknevatele nuppudele.
- Akukassetti paigaldamiseks joondage akukassetti keel korpuse soonega ja libistage kassett oma kohale. Paigaldage kassett nii kaugele, et see lukustus klõpsatusega oma kohale. Vastasel korral võib kassett juhuslikult tööriistast välja kukkuda ning põhjustada teile või läheduses viibivatele isikutele vigastusi.
- Ärge kasutage akukassetti paigaldamisel jõudu. Kui kassett ei liigu sisse kergelt, pole see õigesti sisse pandud.

Lüliti funktsioneerimine

ETTEVAATUST!

- Kontrollige alati enne akukassetti tööriista külge paigaldamist, kas lüliti päästik funktsioneerib nõuetekohaselt ja liigub lahtilaskmisel tagasi väljalülitatud („OFF“) asendisse.

Tööriista töölelülitamiseks on vaja lihtsalt lüliti päästikut tõmmata. Tööriista kiirus kasvab, kui suurendate survet lüliti päästikule. Seiskamiseks vabastage lüliti päästik. (Joon. 2)

Õhumahu reguleerimisketas

humahtu saab reguleerida kolmele eri astmele, keerates reguleerimisketast, kui lüliti päästik on täiesti alla vajutatud. Pöörduge alloleva tebli juurde, et näha seotust kettal olevate numbrite ja õhumahu vahel.

Reguleerimiskettal olev number	Õhumahut
3	Kiire
2	Keskmine
1	Aeglane

ETTEVAATUST!

- Kasutage reguleerimisketast alles siis, kui lüliti päästik naaseb väljalülitatud („OFF“) asendisse. Keerates

lülitit, enne kui päästik naaseb, võite vigastada tööriista.

- Kui tööriistaga töötatakse järjest seni, kuni akukassett on tühi, laske tööriistal enne uue akuga töö jätkamist 15 minutit seista.

KOKKUPANEK

Puhumine

Tolmu puhumiseks kinnitage otsak puhuri väljalaskeava külge, keerates seda kohalefikseerimiseks päripäeva. (Joon. 3)

Tolmu imemine (Joon. 4)

Tolmu imemiseks paigaldage otsak imemisava külge ja tolmu kott puhuri väljalaskeava külge.

Kui kott on tolmuaga täitunud, vabastage fiksaator ja tühjendage tolmu koti sisu prügikasti. (Joon. 5)

ETTEVAATUST!

- Tühjendage tolmu kott, enne kui see liiga täis on, muidu väheneb imemisvõime.

HOOLDUS

ETTEVAATUST!

- Kandke alati enne kontroll- või hooldustoimingute teostamist hoolt selle eest, et tööriist oleks välja lülitatud ja akukassett korpuse küljest eemaldatud.
- Ärge kunagi kasutage bensiini, vedeldit, alkoholi ega muid sarnaseid aineid. Need ained võivad põhjustada liitumist, deformatsiooni või pragunemist.

Puhastamine

Iga natukese aja tagant, puhastage seadet väljastpoolt, kasutades riet, mis on niisutatud seebivees. Ärge kasutage bensiini, lahustit või sarnaseid, sellega väldite värvi liitumist ja pragude teket. (Joon. 6)
Toote OHUTUSE ja TÖÖKINDLUSE tagamiseks tuleb vajalikud remonttööd, muud hooldus- ja reguleerimistööd lasta teha Makita volitatud teeninduskeskustes. Alati tuleb kasutada Makita varuosi.

TARVIKUD

ETTEVAATUST!

- Neid tarvikuid ja lisaseadiseid on soovitatav kasutada koos Makita tööriistaga, mille kasutamist selles kasutusjuhendis kirjeldatakse. Muude tarvikute ja lisaseadiste kasutamisega kaasneb vigastadasaamise oht. Kasutage tarvikuid ja lisaseadiseid ainult otstarbekohaselt.

Saate vajadusel kohalikust Makita teeninduskeskusest lisateavet nende tarvikute kohta.

- Otsak
- Tolmu kott
- Nurgaotsak
- Sirge toru
- Elastne voolik
- Liitmik
- Mitut tüüpi Makita originaalakud ja laadijad

Müra

ENG905-1

Tüüpiline A-raskusega müratase, mis on määratud vastavalt EN60745:

Mudel BUB142

Helirõhu tase (L_{pA}): 86 dB (A)
Helivõimsuse tase (L_{WA}): 97 dB (A)
Määramatus (K): 3 dB (A)

Mudel BUB182

Helirõhu tase (L_{pA}): 83 dB (A)
Helivõimsuse tase (L_{WA}): 94 dB (A)
Määramatus (K): 3 dB (A)

Kasutage kõrvakaitsmeid.

Vibratsioon

ENG900-1

Vibratsiooni koguväärtus (kolmeteljelise vektori summa) on määratud vastavalt EN60745:

Töörežiim: töötamine ilma koormuseta
Vibratsiooni emissioon (a_{hV}): 2,5 m/s² või vähem
Määramatus (K): 1,5 m/s²

ENG901-1

- Deklareeritud vibratsiooniemissiooni väärtus on mõõdetud kooskõlas standardse testimismeetodiga ning seda võib kasutada ühe seadme võrdlemiseks teiselega.
- Deklareeritud vibratsiooniemissiooni väärtust võib kasutada ka mürataseme esmaseks hindamiseks.

⚠ HOIATUS:

- Vibratsioonitase võib elektritööriista tegelikkuses kasutamise ajal erineda deklareeritud väärtusest sõltuvalt tööriista kasutamise viisidest.
- Rakendage kindlasti operaatori kaitsmiseks piisavaid ohutusabinõusid, mis põhinevad hinnangulisel müratasemel tegelikus töösituatsioonis (võttes arvesse tööperioodi kõik osad nagu näiteks korrad, mil seade lülitatakse välja ja mil seade töötab tühikäigul, lisaks tööajale).

Ainult Euroopa riikidele

ENH101-14

EU vastavusdeklaratsioon

Makita korporatsiooni vastutava tootjana kinnitame, et alljärgnev(ad) Makita seade (seadmed):

Masina tähistus:

Juhtmevaba puhuja

Mudeli nr/tüüp: BUB142, BUB182

on seeriatoodang ja

vastab järgmiste Euroopa direktiivide nõuetele:
2006/42/EÜ

ning on toodetud vastavalt järgmistele standarditele või standardiseeritud dokumentidele:

EN60745

Tehnilist dokumentatsiooni hoitakse meie volitatud esindaja käes Euroopas, kelleks on:

Makita International Europe Ltd.

Michigan Drive, Tongwell,

Milton Keynes, MK15 8JD, Inglismaa

30. 1. 2009



Tomoyasu Kato
Direktor

Makita Corporation
3-11-8, Sumiyoshi-cho,
Anjo, Aichi, JAPAN

LIETUVIŲ KALBA (Originali instrukcija)

Bendrasis aprašymas

- | | | |
|---------------------------|----------------------------------|--------------------|
| 1. Raudona dalis | 5. Oro masės reguliavimo ratukas | 9. Dulkių maišelis |
| 2. Mygtukas | 6. Gaidukas | 10. Įsiurbimo anga |
| 3. Akumuliatoriaus kasetė | 7. Antgalis | 11. Fiksatorius |
| 4. Rodyklės | 8. Pūstuvo išleidimo anga | |

SPECIFIKACIJOS

Modelis		BUB142	BUB182
Paskirtis	Oro slėgis (vandens kolonėlė)	0 - 550 mm	
	Oro masė	0 - 2,6 m ³ /min	
Greitis be apkrovos (min ⁻¹)		0 - 18 000	
Bendras ilgis		509 mm	
Bendras svoris		1,6 kg	1,7 kg
Vardinė įtampa		Nuol. sr. 14,4 V	Nuol. sr. 18 V

- Dėl mūsų nuolat tęsiamos tyrimų ir plėtos programos čia pateiktos specifikacijos gali būti keičiamos be įspėjimo.
- Specifikacijos ir akumuliatorių kasetės įvairiose šalyse gali skirtis.
- Svoris su akumuliatoriaus kasete pagal Europos elektrinių įrankių asociacijos metodiką „EPTA-Procedure 01/2003“

Ženkla END004-4

Toliau nurodyti įrangai naudojami simboliai.
Prieš pradėdami jį naudoti, įsitinkinkite, kad suprantate jų reikšmes.



... Perskaitykite naudojimo instrukciją.



Tiktai ES valstybėms
Neišmeskite elektros įrangos arba akumuliatoriaus bloko į buitinius šiukšlynus!
Pagal ES direktyvą 2002/96/EB dėl naudotos elektros ir elektroninės įrangos, 2006/66/EB dėl maitinimo elementų bei akumuliatorių ir panaudotų maitinimo elementų bei akumuliatorių ir jų įdiegimo pagal nacionalinius įstatymus, naudotą elektros įrangą ir akumuliatoriaus bloką būtina surinkti atskirai ir nugabenti antrinių žaliavų perdirbimui aplinkai nekenksmingu būdu.

Naudojimas pagal paskirtį BNE018-1
Įrankis skirtas dulksms išpūsti.

Bendrieji įspėjimai dėl elektrinių įrankių naudojimo

GEA006-2

⚠️ ĮSPĖJIMAS Perskaitykite visus saugos įspėjimus ir visus nurodymus. Jeigu bus nesilaikoma toliau pateiktų įspėjimų ir nurodymų, gali kilti elektros smūgio, gaisro ir (arba) sunkaus sužeidimo pavojus.

Išsaugokite visus įspėjimus ir nurodymus ateičiai.

Terminas „elektrinis įrankis“ visuose toliau pateiktuose nurodymuose reiškia pagrindinį, jungiamą į elektros lizdą (su laidu) arba akumuliatorinį (belaidį) elektrinį įrankį.

Darbo vietos sauga

1. **Pasirūpinkite, kad darbo vieta būtų švari ir gerai apšviesta.** Užgriozdintos arba neapšviestos vietose kyla nelaimingi atsitikimai.
2. **Nenaudokite elektrinių įrankių aplinkose, kur gali kilti sprogimas, pavyzdžiui, ten, kur yra degiųjų skysčių, dujų arba dulkių.** Elektriniai įrankiai sukelia kibirkštis, nuo kurių gali užsidegti dulksės arba garai.
3. **Dirbdami su elektrinių įrankių, neleiskite artyn vaikų ir pašalinių asmenų.** Jie gali blaškyti dėmesį ir dėl to galite nesuvaldyti įrankio.

Elektros sauga

4. **Elektrinio įrankio kištukas privalo atitikti lizdą. Niekada niekaip nemonifikuokite kištuko. Su įžemintais elektriniais įrankiais niekada nenaudokite jokių adapterių.** Nepakeisti, originalūs kištukai ir juos atitinkantys elektros lizdai sumažins elektros smūgio pavojų.
5. **Venkite kontakto su įžemintais paviršiais, pavyzdžiui, vamzdžiais, radiatoriais, viryklėmis ir šaldytuvais.** Elektros smūgio pavojus padidėja, jeigu jūsų kūnu į žemę gali nutekėti srovė.
6. **Nedirbkite su elektriniais įrankiais lietuje arba esant didelei oro drėgmei.** Į elektrinį įrankį patekęs vanduo padidina elektros smūgio pavojų.
7. **Saugokite laidą. Niekada nenaudokite laido elektriniam įrankiui nešti, jam ar kištukui traukti. Saugokite laidą nuo karščio, tepalo, aštrių kraštų arba judančių dalių.** Apgadinoti arba susinarijoję laidai padidina elektros smūgio pavojų.
8. **Dirbdami su elektriniais įrankiais lauke, naudokite tam pritaikytą ilginimo laidą.** Naudojant darbu lauke pritaikytą laidą, sumažinamas elektros smūgio pavojus.

9. Jei elektrinio įrankio naudojimas drėgnoje vietoje neišvengiamas, naudokite grandinės pertraukikliu dėl įžeminimo klaidos (GFCI) apsaugotą maitinimo šaltinį. GFCI naudojimas sumažina elektros smūgio pavojų.

Asmens sauga

10. Kai naudojate elektrinį įrankį, būkite budrūs, stebėkite savo veiksmus ir vadovaukitės sveiku protu. Nenaudokite elektrinio įrankio būdami pavargę arba veikiami narkotikų, alkoholio arba vaistų. Akimirka nedėmesingumo dirbant su elektriniais įrankiais - ir galite rimtai susižeisti.
11. Naudokite asmeninės saugos priemones. Visada naudokite akių apsaugos priemones. Apsauginės priemonės, pavyzdžiui, respiratorius, apsauginiai batai neslidžiais padais, šalmas ar ausų apsaugos, naudojamos atitinkamomis sąlygomis, sumažina susižeidimo pavojų.
12. Būkite atsargūs, kad netyčia neįjungtumėte įrankio. Prieš įjungdami įrankį į elektros tinklą ir (arba) įdėdami akumuliatorių bloką, prieš paimdami ar nešdami įrankį, visuomet patikrinkite, ar išjungtas jo jungiklis. Nešant elektrinius įrankius uždejus pirštą ant jų jungiklio arba įjungiant įrankius į elektros tinklą, kai jų jungikliai yra įjungti, įvyksta nelaimingų atsitikimų.
13. Prieš įjungdami elektrinį įrankį, pašalinkite visus reguliavimo raktus arba veržliaraktus. Ant sukamosios elektrinio įrankio dalies palikę veržliaraktį arba raktą galite susižeisti.
14. Nepersitempkite. Visada tvirtai remkitės kojomis ir išlaikykite lygsvarą. Taip netikėtose situacijose galėsite geriau valdyti elektrinį įrankį.
15. Naudokite tinkamą aprangą. Nedėvėkite plačių drabužių arba papuošalų. Plaukus, aprangą ir pirštines laikykite atokiau nuo judančių dalių. Judamosios dalys gali įtraukti laisvus drabužius, papuošalus ar ilgus plaukus.
16. Jeigu papildomiems dulkių ištraukimo ir surinkimo įrenginiams prijungti yra numatyti prietaisai, patikrinkite, ar jie prijungti ir tinkamai naudojami. Naudojant dulkių surinkimo priemones, galima sumažinti dulkių sukeltus pavojus.

Elektrinių įrankių naudojimas ir priežiūra

17. Dirbdami su įrankiu, nenaudokite jėgos. Darbui atlikti naudokite tinkamą įrankį. Tinkamu elektriniu įrankiu darbą atliksite geriau, saugiau ir per nustatytą laiką.
18. Nenaudokite elektrinio įrankio, jeigu jo įjungimo/išjungimo jungiklis sugedęs. Kiekvienas elektrinis įrankis, kurio negalima valdyti jungikliu, yra pavojingas; tokį įrankį būtina pataisyti.
19. Prieš atlikdami bet kokius reguliavimo, papildomų įtaisų keitimo darbus arba jei ketinate įrankio nenaudoti ilgesnį laiką, ištraukite kištuką iš maitinimo tinklo lizdo ir (arba) iš elektrinio įrankio išimkite akumuliatorių. Tokios apsaugos priemonės sumažina elektros įrankio atsitiktinio įsijungimo pavojų.

20. Tuščiaja eiga veikiančius elektrinius įrankius laikykite vaikams nepasiekiamoje vietoje ir neleiskite šio elektrinio įrankio naudoti žmonėms, nesusipažinusiems su įrankiu arba šia instrukcija. Elektriniai įrankiai yra pavojingi, kai su jais dirba nekvalifikuoti vartotojai.
21. Elektrinių įrankių techninė priežiūra Patikrinkite, ar gerai sulygiuota ir ar nesukimba judamosios dalys, ar dalys nesulūžę, ir visas kitas sąlygas, kurios gali turėti įtakos elektrinio įrankio veikimui. Jeigu elektrinis įrankis sugadintas, prieš naudojant jį reikia pataisyti. Daugelis nelaimingų atsitikimų nutinka dėl prastai prižiūrimų elektrinių įrankių.
22. Pjovimo įrankiai turi būti aštrūs ir švarūs. Tinkamai techniškai prižiūrimi pjovimo įrankiai su aštriais pjovimo kraštais rečiau stringa, juos lengviau valdyti.
23. Elektrinius įrankius, papildomus įtaisus ir smulkias įrankių dalis (peilius, gražtus ir t. t.) naudokite vadovaudamiesi šia instrukcija ir konkrečios rūšies elektriniams įrankiams numatytu būdu, atsižvelgdami į darbo sąlygas bei darbą, kurį reikia atlikti. Naudojant elektrinius įrankius ne pagal paskirtį, gali kilti pavojingų situacijų.

Akumuliatoriaus maitinamų įrankių naudojimas ir priežiūra

24. Įrankius naudodami tik gamintojo nurodytą kroviklį. Kroviklis, kuris tinka vienam akumuliatorių tipui įkrauti, gali kelti gaisro pavojų, jei bus naudojamas su kitų tipų akumuliatoriais.
25. Elektrinius įrankius naudokite tik su specialiai jiems skirtais akumuliatoriais. Naudojant bet kurį kitą akumuliatorių, gali kilti sužeidimo ir gaisro pavojus.
26. Kai akumuliatorius nėra naudojamas, laikykite jį toliau nuo kitų metalinių daiktų, pavyzdžiui, popieriaus sąvaržėlių, monetų, raktų, vinių, varžtų ir kitų mažų metalinių daiktų, dėl kurių gali kilti trumpasis jungimas tarp kontaktų. Akumuliatorių kontaktų trumpasis jungimas gali būti nudegimų arba gaisro priežastis.
27. Netinkamai naudojant, iš akumuliatoriaus gali ištekėti skysčio; venkite sąlyčio su juo. Jei sąlytis atsitiktinai įvyko, gausiai nuplaukite vandeniu. Jei skysčio pateko į akis, kreipkitės į gydytoją. Iš akumuliatoriaus ištekėjęs skystis gali sudirginti arba nudeginti odą.

Aptarnavimas

28. Techninė priežiūra turi atlikti tik kvalifikuotas remonto meistras, naudojant tik originalias keičiamąsias dalis. Tai užtikrins elektrinio įrankio saugumą.
29. Vadovaukitės tepimo ir papildomų įtaisų keitimo instrukcija.
30. Rankenos turi būti sausas, švarios ir neišteptos tepalu.

SAUGOS ĮSPĖJIMAI DĖL AKUMULIATORINIO PŪSTUVO NAUDOJIMO

GEB076-1

1. Naudodami ventiliatorių, būtina naudokite apsauginius akinius, kepurę ir kaukę.
2. Naudodami ventiliatorių, jokių būdu nenukreipkite antgalio į netoliese esančius žmones.
3. Surinkdami dulkes, nuolaužas ir pan. būtina naudokite maišelį dulkėms.
4. Nerinkite į maišelį smilkstančių cigarečių pelenų, ką tik pjauto metalo drožlių, varžtų, vinių ir pan. Įspėjimas! Naudojant įrankį ant drėgno paviršiaus galimas elektros smūgis. Saugokite įrankį nuo lietaus. Laikykite įrankį patalpoje.
5. Jokių būdu neužkimškite įtraukimo angos ir (arba) ventiliatoriaus išleidimo angos. Padidėjusios variklio apsukos gali sukelti pavojingą ventiliatoriaus gedimą.
6. Pūstuvu negali naudoti vaikai ar ligoti asmenys, jei jie nėra prižiūrimi.
7. Reikėtų prižiūrėti mažus vaikus, kad jie nežaistų su šiuo pūstuvu.

SAUGOKITE ŠIĄ INSTRUKCIJĄ.

⚠ ĮSPĖJIMAS:

NELEISKITE, kad patogumas ir gaminio pažinimas (įgyjamas pakartotinai naudojant) susilpnintų griežtą saugos taisyklių, taikytinų šiam gaminiui, laikymąsi. Dėl **NETINKAMO NAUDOJIMO** arba saugos taisyklių nesilaikymo, kurios pateiktos šioje instrukcijoje galima rimtai susižeisti.

SVARBŪS NURODYMAI DĖL SAUGOS

ENC007-5

AKUMULIATORIAUS KASETEI

1. Prieš naudodami akumulatoriaus kasetę, perskaitykite visus nurodymus ir įspėjamuosius ženklus, esančius ant (1) akumulatoriaus kroviklio, (2) akumulatoriaus ir (3) gaminio, kuriame naudojamas akumulatorius.
2. Neardykite akumulatoriaus kasetės.
3. Jei įrankio darbo laikas žymiai sutrumpėjo, nedelsdami nutraukite darbą su įrankiu. Tai gali kelti perkaitimo, nudegimų ar net sprogdimo pavojų.
4. Jei elektrolito pateko į akis, plaukite jas švariu vandeniu ir nedelsdami kreipkitės į gydytoją. Yra regėjimo praradimo pavojus.
5. Nesujunkite akumulatoriaus kasetės gnybtu trumpuoju jungimu:
 - (1) nelieskite gnybtų jokiomis elektra laidžiomis medžiagomis.
 - (2) Venkite laikyti akumulatoriaus kasetę kartu su kitais metaliniais daiktais, pavyzdžiui, vinimis, monetomis ir pan.
 - (3) Saugokite akumulatoriaus kasetę nuo vandens ir lietaus.
Trumpasis jungimas akumulatoriuje gali

- sukelti stiprią srovę, perkaitimą, galimus nudegimus ar net akumulatoriaus gedimą.
6. Nelaikykite įrankio ir akumulatoriaus kasetės tose vietose, kur temperatūra gali siekti ar viršyti 50°C (122°F).
7. Nedeginkite akumulatoriaus kasetės, net jei yra stipriai pažeista ar visiškai susidėvėjusi. Ugnyje akumulatoriaus kasetė gali sprogti.
8. Saugokite akumuliatorių nuo numetimo ar smūgių.
9. Nenaudokite akumulatoriaus, jei jis sugedęs.

SAUGOKITE ŠIAS INSTRUKCIJAS.

Patarimai, ką daryti, kad akumulatorius tarnautų kuo ilgiau

1. Įkraukite akumulatoriaus kasetę, kol ji dar nėra visiškai išseikvota.
Pastebėję, kad sumažėjo įrankio galia, visuomet išjunkite jį ir įkraukite akumulatoriaus kasetę.
2. Niekada nemėginkite pakartotinai įkrauti visiškai įkrautos akumulatoriaus kasetės.
Perkrova sutrumpina akumulatoriaus tarnavimo laiką.
3. Kraukite akumulatoriaus kasetę esant kambario temperatūrai, 10°C - 40°C (50°F - 104°F). Prieš kraudami leiskite atvėsti karštai akumulatoriaus kasetei.

FUNKCINIS APRAŠYMAS

PERSPĖJIMAS:

- Prieš reguliuodami įrenginį arba tikrindami jo veikimą visada patikrinkite, ar įrenginys išjungtas, o akumuliatorių kasetė – nuimta.

Akumulatoriaus kasetės uždėjimas ir nuėmimas (Pav. 1)

- Visuomet išjunkite įrankį prieš įdėdami ar nuimdami akumulatoriaus kasetę.
- Jei norite išimti akumulatoriaus kasetę, išimkite ją iš įrankio, kai spaudžiate mygtukus abiejose kasetės pusėse.
- Jei norite įdėti akumulatoriaus kasetę, sulygiuokite liežuvėlį ant akumulatoriaus kasetės su grioveliu korpuse ir įstumkite į skirtą vietą. Visuomet įdėkite iki galo, kol spragtelėdama užsifiksuos. Priešingu atveju ji gali atsitiktinai iškristi iš įrankio, sužeisti jus ar aplinkinius.
- Nenaudokite jėgos dėdami akumulatoriaus kasetę. Jei kasetė sunkiai lenda, ji neteisingai kišama.

Jungiklio veikimas

PERSPĖJIMAS:

- Prieš dėdami akumulatoriaus kasetę į įrankį, visuomet patikrinkite, kad gaiduko mygtukas gerai veiktų ir atleistas grįžtų į padėtį „OFF“.
- Norėdami įjungti įrankį, tiesiog paspauskite gaiduką. Įrankio greitis didėja didinant spaudimą į gaiduką. Norėdami išjungti, atleiskite gaiduką. (Pav. 2)

Oro masės reguliavimo ratukas

Oro masė gali būti sureguliuota pagal tris nustatymus, pasukant reguliavimo ratuką, kai gaidukas yra pilnai nuspaustas Žr. į žemiau lentelėje parodytą santykį tarp skaičių, pažymėtų ant reguliavimo ratuko, ir darbo rūšies.

Skaičiai ant reguliavimo ratuko	Oro masė
3	Didelis
2	Vidutinis
1	Mažas

PERSPĖJIMAS:

- Naudokite reguliavimo ratuką tik kai gaidukas bus padėtyje „OFF“ (išjungta). Pasukus ratuką gaidukui negrįžus, galima sugadinti įrankį.
- Jei įrankis naudojamas tol, kol akumulatoriaus kasetė išsikrauna, leiskite įrankiui pailsėti 15 minučių prieš tęsdami su kitu akumulatoriumi.

SURINKIMAS

Pūtimas

Dulkėms pūsti, pritvirtinkite prie pūstuvo išleidimo angos antgalį, sukdami jį pagal laikrodžio rodyklę, kad užsifiksuotų. (Pav. 3)

Dulkių įsiurbimas (Pav. 4)

Dulkėms įsiurbti, pritvirtinkite antgalį prie įsiurbimo angos, o dulkių maišelį - prie pūstuvo išleidimo angos.

Kai maišelis pripildomas dulkių, atidarykite sklendę ir išpilkite dulkių maišelio turinį į dulkėms skirtą šiukšlių dėžę. (Pav. 5)

PERSPĖJIMAS:

- Išvalykite dulkių maišelį prieš jam prisipildant arba įsiurbimo jėga susilpnės.

TECHNINĖ PRIEŽIŪRA

PERSPĖJIMAS:

- Visuomet įsitinkinkite, kad įrankis yra išjungtas ir akumulatoriaus kasetė yra nuimta prieš atliekant apžiūrą ir priežiūrą.
- Niekada nenaudokite gazolino, benzino, tirpiklio, spirito arba panašių medžiagų. Gali atsirasti išblukimų, deformacijų arba įtrūkimų.

Valymas

Retkarčiais nušluostykite įrankio išorę naudodamiesi minkštu skudurėliu, suvilgytu muiluotame vandenyje. Nenaudokite benzino, skiediklio ar panašių priemonių, nes gali pasirodyti spalvos blukimas ir/arba įtrūkimai. (Pav. 6)

Kad gaminyt būtų SAUGUS ir PATIKIMAS, jį taisyti, apžiūrėti ar vykdyti bet kokią kitą priežiūrą ar derinimą turi įgaliotasis kompanijos „Makita“ techninės priežiūros centras; reikia naudoti tik kompanijos „Makita“ pagamintas atsargines dalis.

PRIEDAI

PERSPĖJIMAS:

- Šiuos papildomus priedus arba įtaisus rekomenduojama naudoti su šiame vadove nurodytu „Makita“ kompanijos įrankiu. Naudojant bet kokius kitus papildomus priedus arba įtaisus, gali kilti pavojus sužeisti žmones. Naudokite tik nurodytam tikslui skirtus papildomus priedus arba įtaisus.

Jeigu reikia kokios nors pagalbos ir detalesnės informacijos apie šiuos papildomus priedus, kreipkitės į savo vietinį „Makita“ kompanijos techninio aptarnavimo centrą.

- Antgalis
- Dulkių maišelis
- Kampinis antgalis
- Tiesus vamzdis
- Lanksti žarna
- Sujungimas
- Įvairių tipų „Makita“ originalūs akumulatoriai ir krovikliai

Triukšmas

ENG905-1

prastas triukmo A lygis, nustatytas pagal EN60745:

Modelis BUB142

Garso slėgio lygis (L_{pA}): 86 dB (A)

Garso galios lygis (L_{WA}): 97 dB (A)

Paklaida (K): 3 dB (A)

Modelis BUB182

Garso slėgio lygis (L_{pA}): 83 dB (A)

Garso galios lygis (L_{WA}): 94 dB (A)

Paklaida (K): 3 dB (A)

Naudokite ausų apsaugos priemones.

Vibracija

ENG900-1

Vibracijos bendroji vert (trijų ašų vektorio suma) nustatyta pagal EN60745 standart:

Darbo režimas: veikimas be apkrovos

Vibracijos emisija (a_{hv}): 2,5 m/s² arba mažiau

Paklaida (K): 1,5 m/s²

ENG901-1

- Paskelbtasis vibracijos emisijos dydis nustatytas pagal standartinį testavimo metodą ir jį galima naudoti vienam įrankiui palyginti su kitu.
- Paskelbtasis keliamos vibracijos dydis taip pat gali būti panaudotas preliminariai įvertinant vibracijos poveikį.

⚠️ ĮSPĖJIMAS:

- Faktiškai naudojant elektrinį įrankį, keliamos vibracijos dydis gali skirtis nuo paskelbtojo dydžio, priklausomai nuo būdų, kuriais yra naudojamas šis įrankis.
- Siekiant apsaugoti operatorių, būtina įvertinkite saugos priemones, remdamiesi vibracijos poveikio įvertinimu esant faktinėms naudojimo sąlygoms (atsižvelgdami į visas darbo ciklo dalis, pavyzdžiui, ne tik kiek laiko įrankis veikia, bet ir kiek kartų jis yra išjungiamas bei kai jis veikia be apkrovų).

Tik Europos šalims

ENH101-14

EB atitikties deklaracija

Mes, „Makita Corporation“ bendrovė, būdami atsakingas gamintojas, pareiškiame, kad šis „Makita“ mechanizmas(-ai):

Mechanizmo paskirtis:

Bevielės pūstuvai

Modelio Nr./ tipas: BUB142, BUB182

priklauso serijinei gamybai ir

atitinka šias Europos direktyvas:

2006/42/EB

ir yra pagamintas pagal šiuos standartus arba

normatyvinius dokumentus:

EN60745

Techninė dokumentacija saugomas pas mūsų įgaliotąjį

atstovą Europoje, kuris yra:

Makita International Europe Ltd.

Michigan Drive, Tongwell,

Milton Keynes, MK15 8JD, England (Anglija)

30. 1. 2009



Tomoyasu Kato

Direktorius

Makita Corporation

3-11-8, Sumiyoshi-cho,

Anjo, Aichi, JAPAN

总图说明

- | | | |
|---------|-------------|---------|
| 1. 红色部分 | 5. 鼓风机量调节转盘 | 9. 集尘袋 |
| 2. 按钮 | 6. 开关触发器 | 10. 吸入口 |
| 3. 电池套管 | 7. 喷嘴 | 11. 扣件 |
| 4. 指示器 | 8. 鼓风机出口 | |

规格

型号		BUB142	BUB182
容量	气压 (水柱)	0 - 550 mm	
	鼓风量	0 - 2.6 m ³ /分钟	
空载速度 (分钟 ⁻¹)		0 - 18,000	
全长		509 mm	
净重		1.6 kg	1.7 kg
额定电压		直流 14.4 V	直流 18 V

- 鉴于我司将持续实施研发计划, 此处规格如有变更, 恕不另行通知。
- 本产品在各个国家的规格和电池套管可能有所不同。
- 本产品 (带电池套管) 的重量符合 EPTA-01/2003 规程的标准

符号 END004-4

下列所示为用于设备的符号。

请确保在使用前理解各个符号的含义。



... 请阅读操作手册。



..... 仅欧盟国家

请勿与生活垃圾一起处置电气设备！
遵循关于废旧电子、电气设备处理的欧洲指令 2002/96/EC, 并符合相关国家法律。
关于电池和蓄电池及废电池和蓄电池及其执行 2006/66/EC 号根据国家法律, 电子设备达到使用寿命时, 必须单独收集并交回至环保回收机构进行处理。

既定用途 BNE018-1

本工具既定用于吹尘。

电动工具一般安全警告 GEA006-2

⚠ 请仔细阅读所有的安全警告和操作指示。违反这些警告和指示可能导致电击、火灾和 / 或严重的人身伤害事故。

请妥善保存所有的警告和操作指示以备日后参考。

在该警告中的“电动工具”是指电网电源供电 (接电源线) 的电动工具或电池驱动 (充电式) 电动工具。

工作区域安全

1. 保持工作区域干净, 照明良好。杂乱或黑暗的工作场所容易引发事故。
2. 不得在有爆炸性危险的环境 (如存在易燃液体、气体和粉尘) 中使用电动工具。操作电动工具时会产生火花, 而这可能引燃粉尘或烟雾。

3. 操作电动工具时, 请让儿童和旁观者远离工作区域。注意力分散可能导致操作失控。

电气安全

4. 电动工具插头必须与插座匹配。切勿以任何方式对插头进行改装。转接插头不得和接了地线的电动工具一起使用。未经改动的插头和相匹配的插座有利于减少电击危险。
5. 避免身体与接地的物体接触, 如水管、散热器、电炉和电冰箱等。如果您的身体接地了, 会增加电击的危险。
6. 不得将电动工具暴露在雨中或湿的环境中。如果有水进入电动工具将增加电击的危险。
7. 请勿滥用电线。切勿用导线拖携工具或拔下电动工具的插头。将电线保存在远离高温、油垢、锐边或移动部件之处。损坏或缠绕的电线会增加电击危险。
8. 当在户外操作电动工具时, 只能使用合适的户外专用延长电线。使用合适的户外专用电线将减少电击危险。
9. 如果不能避免在潮湿的环境中使用电动工具, 请使用随供的漏电保护器 (GFCI)。使用漏掉保护器将可减少电击危险。

人身安全

10. 工作时必须要全神贯注, 不但要保持头脑清醒更要以平常心操作电动工具。疲惫、喝酒或服用毒品、药物之后, 切勿操作电动工具。使用电动工具时只要稍微分心便可能导致严重的人身伤害事故。
11. 使用个人防护设备总是佩戴护目镜。根据使用情况穿戴合适的防护装备, 例如防尘面罩、防滑工作鞋、安全帽或耳罩, 可降低人身伤害事故发生的几率。
12. 防止意外启动。在连接电源和 / 或电池组、拿起或搬运工具之前, 请确保开关处于关闭位置。如果在提携电动工具时, 您的手指触碰了开关, 或连接电源时, 开关仍然处于启动位置, 都可能引发意外事故。
13. 电动工具开机前, 除去任何调节工具或扳手。电动工具的旋转部件上如果还插有扳手或调节工具可能会导致人身伤害。

14. 避免错误的持机姿势 操作时，确保立足稳固并随时保持平衡。正确的操作姿势能够帮助您在突发状况下及时控制住电动工具。
15. 穿戴齐整、合适。请勿穿戴宽松的衣服或佩戴首饰。保持头发、衣服、手套等远离移动机件。宽松的衣服、首饰或长头发可能会被卡入移动机件中。
16. 如果能够在设备上安装除尘或集尘装置，确保这些装置已经安装并被正确使用。使用集尘装置可减少尘屑相关的危害。

电动工具使用和保养

17. 不要强行使用电动工具。根据应用情况选择适合的电动工具。正确地选用电动工具可以在规定的功率范围内，更有效率更安全的操作机器。
18. 不要使用开关故障的电动工具。如果无法正常操控起停开关，极容易在操作机器时产生意外，必须进行修理。
19. 在调整机器设置、更换配件或存放电动工具前，必须先断开插头与电源的连接和 / 从电动工具中取出电池组。这些预防性的安全措施能减少意外启动电动工具的危险。
20. 将不用的电动工具保存在儿童接触不到的地方。禁止不熟悉电动工具或这些操作说明的人员使用电动工具。未经训练的人员操作电动工具是危险的行为。
21. 维护电动工具。检查运动部件是否有偏差或粘连，部件是否破损，以及其它可能会影响工具运行的情况。如有损坏，使用前需修理完毕。很多事故都是由于没有对电动工具进行很好维护造成的。
22. 切割工具必须保持锋利和清洁。经过细心保养且刀刃锋利的切割工具不易被夹住，并容易操作。
23. 使用电动工具、配件和工具套件时应考虑工作条件和要进行工作的性质，遵循相应的操作指示。将电动工具用于既定用途以外的目的时，可能会导致危险。

电池工具使用和保养

24. 仅使用制造商指定的充电器进行充电。适用于一种类型电池组的充电器如果用于其他电池组可能会引起火灾危险。
25. 使用电动工具时仅使用指定的电池组。使用任何其他电池组可能会引起人身伤害或火灾危险。
26. 当电池组未用时，请将其保存在远离金属物品之处。如同形针、硬币、钥匙、钉子、螺丝或其他小金属物体等。这些物体可能会将电池的两个端子连在一起。短接电池端子可能会引起爆炸或火灾。
27. 如果使用不当可能从电池渗出液体。避免接触此类流动物体。如果意外接触到电池漏液，请用水冲洗。如果上述液体侵入眼睛必须即刻就医。从电池流出的液体会刺激或灼伤皮肤。

维修

28. 电动工具只能由有相关资质的维修人员进行修理，修理时只能使用原厂零、配件。唯有如此才能确保电动工具的安全性。
29. 按照要求对配件进行润滑和更换。
30. 保持手柄干燥、清洁，避免油、脂污染。

无绳鼓风机安全警告

GEB076-1

1. 使用鼓风机时，务必佩戴护目镜、帽子和面罩。
2. 使用鼓风机时，请勿将喷嘴对着周围的任何人。
3. 收集粉尘、碎屑或类似物体时，务必使用集尘袋。

4. 请勿收集依旧阴燃的香烟灰、新切削下的金属屑、螺丝、钉子或类似物体。警告 - 如果在湿的表面上使用可能引起电击。不要暴露在雨中。室内保存。
5. 切勿堵塞入口和 / 或鼓风机出口。增大电机转速可能导致风扇严重受损。
6. 鼓风机不适合没有监护人陪伴的儿童或虚弱的人士使用。
7. 儿童必须要有监护，确保他们不会玩耍鼓风机。

请保留此说明书。

⚠ 警告：

不要因为舒适或对产品熟悉（因重复使用而获得）而不严格遵守产品的安全准则。工具使用不当或未遵守本说明书所列的安全规则可能导致严重的人身伤害。

重要的安全说明

ENC007-5

电池套管

1. 使用电池舱前，请阅读（1）电池充电器、（2）电池和（3）使用电池之产品上的所有指导说明和警戒标识。
2. 请勿拆开电池套管。
3. 如果操作时间变得过长，立即停止操作。其可能导致过热、造成灼伤，甚至爆炸的危险。
4. 如果电解液进入您的双眼，用清水冲洗，并立即就医。其可能导致您的视力下降。
5. 请勿短接电池套管。
 - (1) 请勿使用任何导电材料接触端子。
 - (2) 避免在装有其它金属物体的容器内存放电池套管，例如钉子、硬币等。
 - (3) 不要将电池套管暴露在水或雨中。电池短路可能导致过大的电流、过热，可能造成灼伤，甚至发生故障。
6. 请勿将工具和电池套管存放于温度可能达到或超过 50° C (122° F) 的位置。
7. 即使电池套管严重损坏或完全磨损，也不要烧弃之。电池套管在火中可能爆炸。
8. 请小心，不要掉落或撞击电池。
9. 不要使用损坏的电池。

请保留此说明书。

保持电池最大寿命的提示

1. 在电池套管完全放电前，进行充电。
在您注意到工具功率下降时，务必停止操作工具，并给电池套管充电。
2. 切勿重新给完全充电的电池套管再次充电。
过度充电会缩短电池使用寿命。
3. 在 10° C - 40° C (50° F - 104° F) 的室温给电池套管充电。
充电前，允许灼热的电池套管冷却下来。

功能说明

小心：

- 在工具上调整和检查功能前，务必关闭工具开关和电池套管。

安装或拆卸电池套管（图 1）

- 插入或拆卸电池套管前，务必关闭工具的开关。
- 拆卸电池套管时，按住套管两端的按钮的同时，将其从工具中撤出。
- 插入电池套管时，将电池套管上的凸榫对准外壳上的沟槽，并将其滑入到位。务必一直插入，直到其锁定在位，这时候会听到微弱的“咔哒”声。否则，其可能意外从工具中掉出，导致您或您周围的人员受到伤害。
- 插入电池套管时，请勿用力。如果电池套管没有轻松地滑入，表明其可能没有正确插入。

开关动作

小心：

- 将电池套管插入工具前，务必检查确定开关触发器正常开动，并在释放时，返回到“关闭”位置。

启动工具时，只需要拉出开关触发器。工具速度通过增大作用在开关触发器的压力来增加。释放开关触发器时，工具停止。（图 2）

鼓风机调节转盘

在完全按下开关触发器时，转动调节转盘可以将鼓风量调整为三个设置中的任何一个。有关转盘上的刻度与鼓风量的关系，请参见下表。

转盘上的刻度	鼓风量
3	高
2	中
1	低

小心：

- 只有开关触发器返回到“关闭”位置后，才可以使用调节转盘。在触发器返回前转动转盘，可能导致工具受损。
- 如果连续操作工具，直到电池套管放电，使用新的电池继续操作前，允许工具至少休息 15 分钟。

组装

鼓风

对于吹尘，将喷嘴安装到鼓风机出口，并顺时针转动，将其锁定到位。（图 3）

吸尘（图 4）

对于吸尘，将喷嘴安装到吸入口，并将集尘袋安装到鼓风机出口。

集尘袋装满灰尘后，通过释放扣件，将集尘袋内的所有灰尘倒入除尘箱。（图 5）

小心：

- 在集尘袋装得过满前清空，否则吸力会减弱。

维护

小心：

- 尝试进行检查或维护前，务必关闭工具开关，并拆下电池套管。
- 不得使用汽油、苯、稀释剂、酒精或其它类似产品。否则可能出现退色、变形或裂缝。

清洁

随时使用抹布蘸取肥皂水清洁工具外部。切勿使用汽油、稀释剂或类似产品，否则可能出现褪色和 / 或裂缝。

（图 6）

为了保持产品的安全和可靠性，维修或其它任何维护和调整工作应当由牧田（Makita）授权维修中心进行，且务必使用牧田的替换零件。

配件

小心：

- 这些配件或附件建议用于本手册指定的牧田工具。使用任何其它配件或附件可能有造成人身伤害的危险。配件或附件仅可用于指明的目的。

如果您需要有关这些配件的更多详细信息或需要帮助，请与当地的牧田维修中心联系。

- 喷嘴
- 集尘袋
- 圆角喷嘴
- 直管
- 挠性软管
- 接口
- 各种类型的牧田原装电池和充电器

噪声

ENG905-1

根据 EN60745 确定的典型 A 加权噪声级：

型号 BUB142

声压级 (L_{pA}): 86 dB (A)

声功率级 (L_{WA}): 97 dB (A)

偏差 (K): 3 dB (A)

型号 BUB182

声压级 (L_{pA}): 83 dB (A)

声功率级 (L_{WA}): 94 dB (A)

偏差 (K): 3 dB (A)

佩戴护耳装置。

振动

ENG900-1

根据 EN60745 确定的振动总量（三轴矢量和）：

工作模式：空载运行

振动量 (a_{h1}): 2.5 m/s² 或以下

偏差 (K): 1.5 m/s²

ENG901-1

- 公布的振动发射值已按照标准测试方法进行测量，可能会用于与其他工具进行对比。
- 公布的振动发射值也可能用于暴露量的初步评估。

⚠ 警告：

- 根据工具使用情况的不同，电动工具实际使用时的振动发射值可能会与公布的发射值不同。
- 务必根据对实际使用情况暴露的估计，确保采取必要的安全措施保护操作者（考虑操作周期中的所有部分，如工具关闭、空转以及触发时间等）。

仅对欧洲国家

ENH101-14

EC 符合性声明

牧田株式会社作为一家负责任的公司，特此声明以下牧田机器：

机器名称：

充电式吹风机

型号 / 类型：BUB142、BUB182

系列产品，

符合以下欧洲指令：

2006/42/EC

其制造符合以下标准或标准化文档：

EN60745

技术文档由我们的欧洲授权代表保管，该代表为：

Makita International Europe Ltd.
Michigan Drive, Tongwell,
Milton Keynes, MK15 8JD, England

30. 1. 2009



Tomoyasu Kato

董事

牧田株式会社

3-11-8, Sumiyoshi-cho,
Anjo, Aichi, JAPAN

Makita Corporation
Anjo, Aichi, Japan

www.makita.com

BUB142-20L-0310

ALA