

TECHNICAL INFORMATION

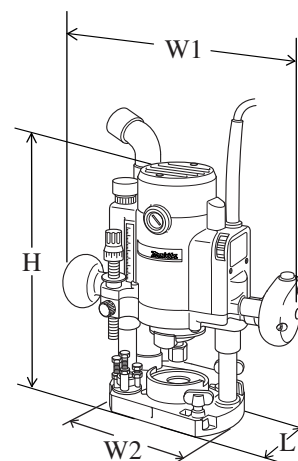
Models No. ▶ RP1110C and RP0910

Description ▶ 8mm Router (Plunge type)

CONCEPTION AND MAIN APPLICATIONS

Model RP1110C and RP0910 are Makita's first 1000W class professional 8mm plunge routers. Compared with Elu #OF97E, they are more compact and easier to handle.

Model RP1110C (1100W) with electronic controller and Model RP0910 (900W) without electronic controller.



Dimensions for RP1110C and RP0910 : mm (")	
Width (W1)	269 (10-5/8)
Width (W2)	150 (5-7/8)
Height (H)	260 (10-1/4)
Length (L)	110 (4-5/16)

► Specification

Voltage (V)	Current (A)		Cycle (Hz)	Continuous Rating (W)				Max. Output(W)	
	RP1110C	RP0910		Input		Output		RP1110C	RP0910
				RP1110C	RP0910	RP1110C	RP0910		
100	12	9.5	50 / 60	1,100	900	710	620	1,500	1,100
110	10	8.6	50 / 60	1,100	900	710	620	1,500	1,100
220	5.3	4.3	50 / 60	1,100	900	710	620	1,500	1,100
230	5.0	4.1	50 / 60	1,100	900	710	620	1,500	1,100
240	4.8	3.9	50 / 60	1,100	900	710	620	1,500	1,100

Model No.	RP1110C	RP0910
No load speed: (min - max rpm)	8,000 - 24,000	27,000
Plunge capacity : mm (")	0 - 57 (2-1/4)	0 - 57 (2-1/4)
Collet capacity : mm (")	8 (5/16) or 6.35 (1/4)	8 (5/16) or 6.35 (1/4)
Protection from electric shock	Double insulation	Double insulation
Cord length : m (ft.)	4.0 (13.1)	4.0 (13.1)
Net weight	3.4 (7.5)	3.3 (7.3)

► Standard equipment

- Straight guide..... 1 pc.
- Wrench 8 1 pc.
- Wrench 17 1 pc.
- Templet guide 12 1 pc.
- Dust nozzle assembly...1 pc.
- Nozzle assembly..... 1 pc.

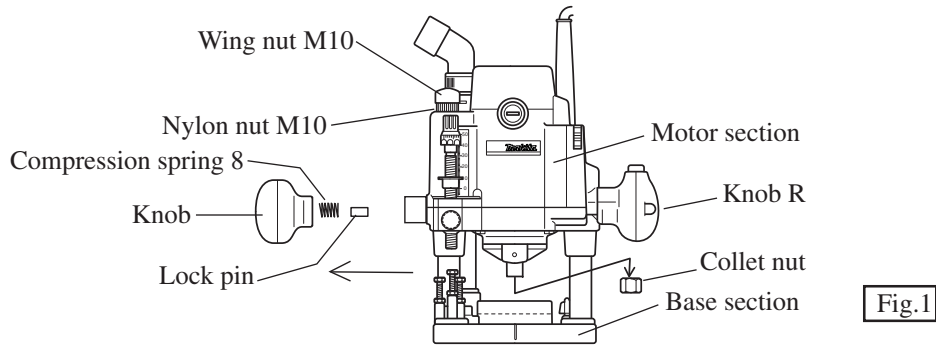
< Note > The standard equipment for the tool shown may be differ from country to country.

► Optional accessories

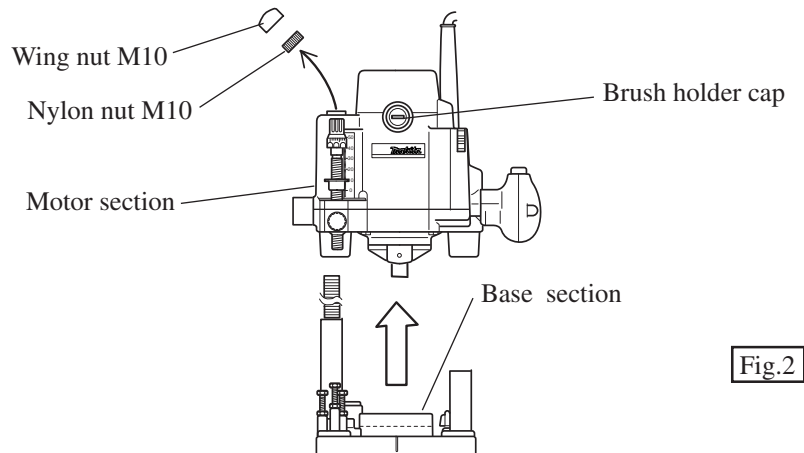
- Various router bits,
- Collet cone 6,
- Collet cone 8,
- Collet cone 6.35mm
- Hose 28

< 1 > Repairing armature

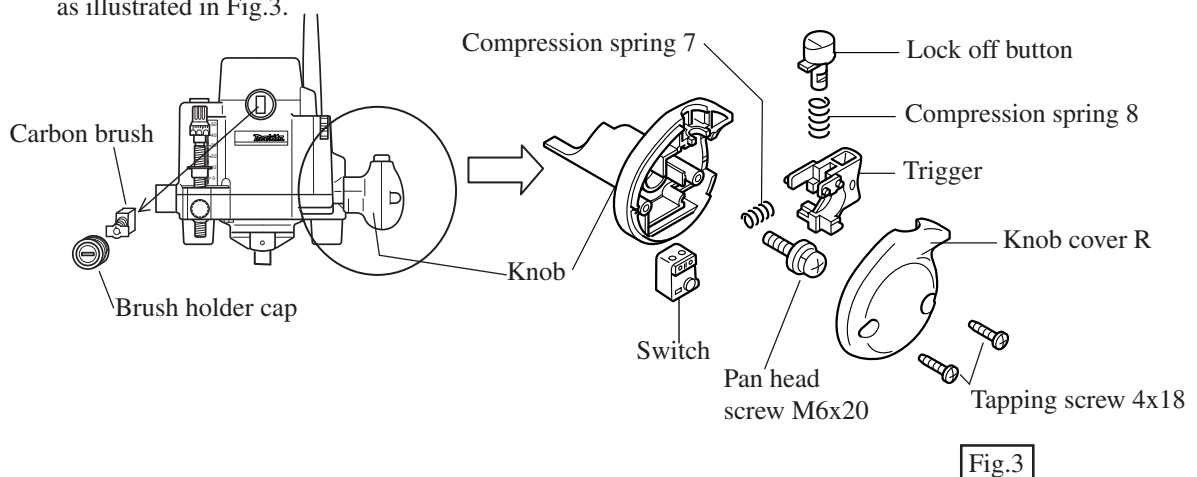
- (1) Remove router bit, collet nut and stopper pole.
- (2) Remove knob (without switch trigger, lock off/on button) by turning it anti-clockwise.
Compression spring 8 is to be removed automatically together with the knob.
Also lock pin has to be taken off from the threaded hole for knob. See Fig.1.



- (3) Separate motor section from base section after taking off wing nut M10 and nylon nut M10.



- (4) Take off brush holder cap and carbon brush.
- (5) Remove knob cover R by taking off 2 pcs. of tapping screw 4x18.
Pay attention, not to lose compression spring which may spring out from the knob, when removing the knob cover.
- (6) Take off lock off button, trigger and switch from the knob R.
- (7) Remove knob R from motor section by taking off pan head screw M6x20 as illustrated in Fig.3.



► **Repair**

- (8) Remove retainer cover by taking off 2 pcs.of pan head screw M4x18 as illustrated in Fig.4.
- (9) Separate motor bracket section from motor section by taking off 4 pcs. of tapping screw 5x35 as illustrated in Fig.4.

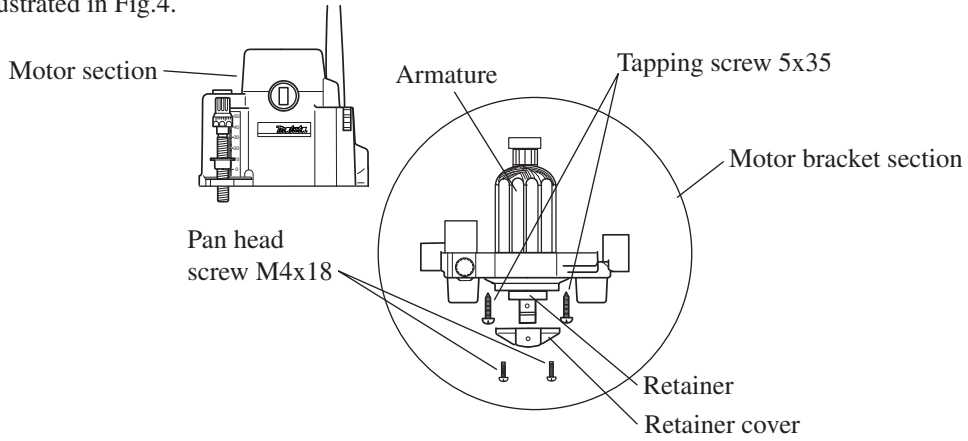


Fig.4

- (10)Set armature in No.1R039 armature holder, and hold the armature holder with vise as illustrated in Fig.5. Remove retainer with spanner 32 or monkey wrench from armature shaft by turning anti-clockwise.

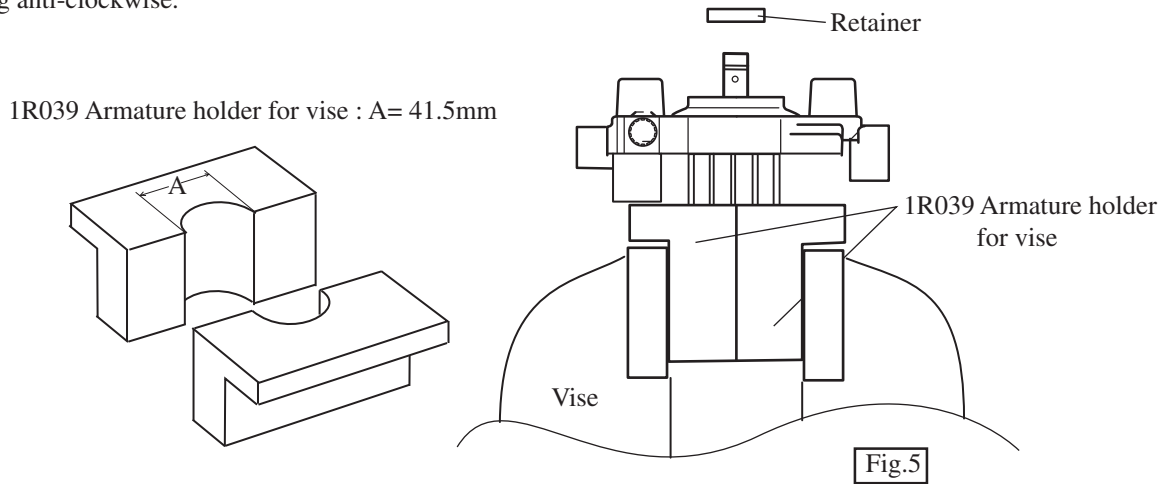


Fig.5

- (11)Hold motor bracket steadily. Remove the armature by pressing its shaft with arbor press.

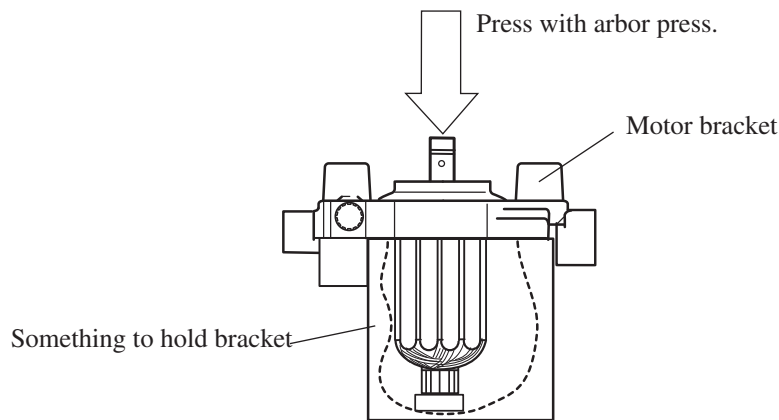
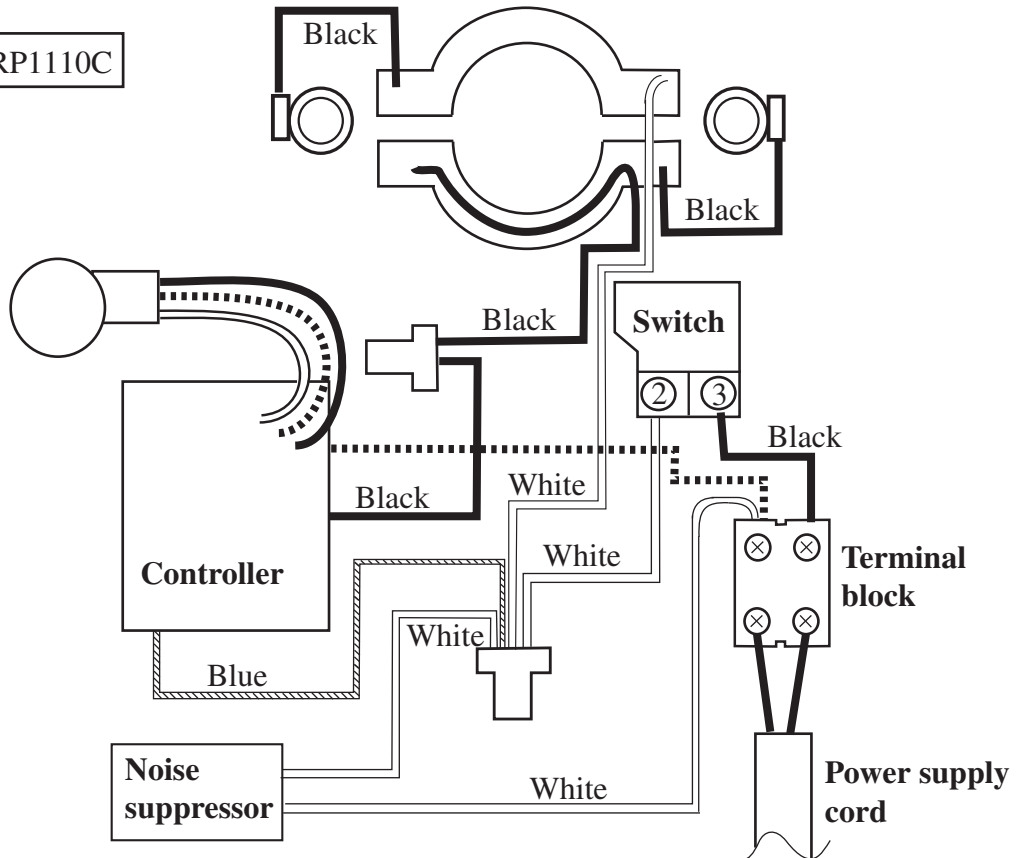


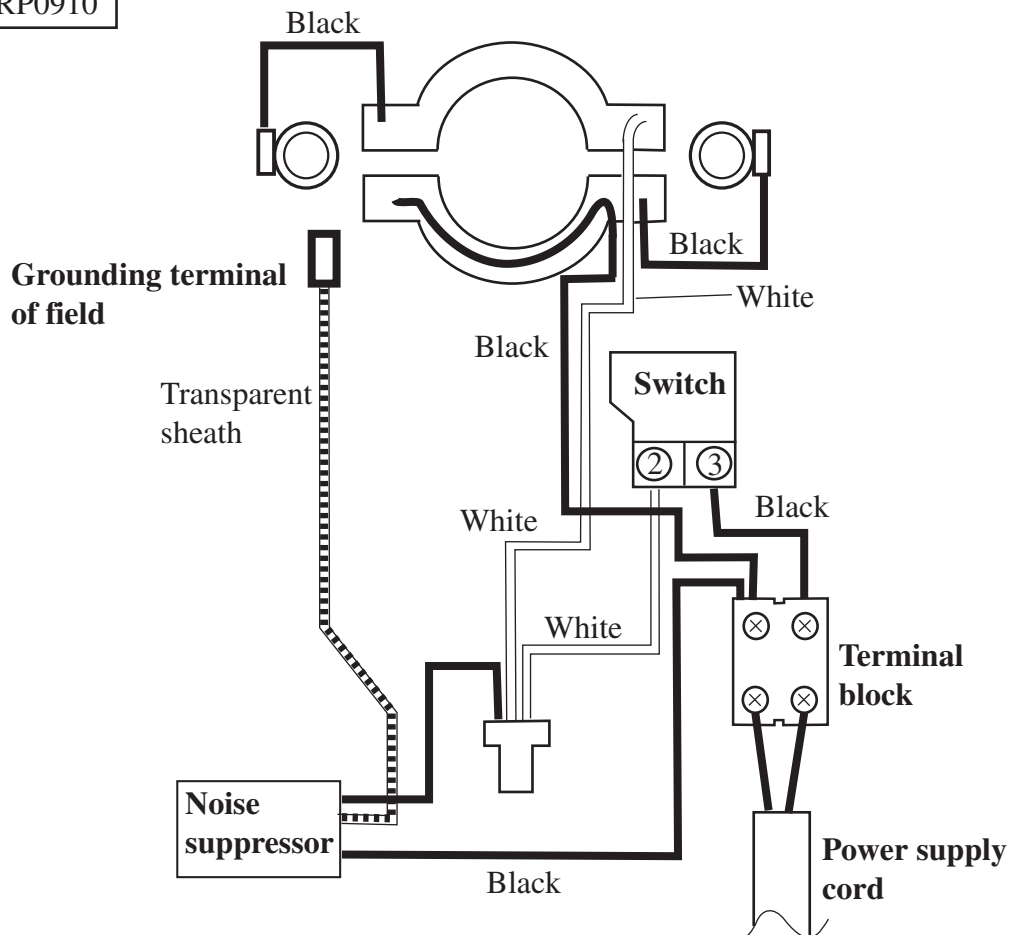
Fig.6

Model RP1110C



< Note > Noise suppressor is not used in some countries.

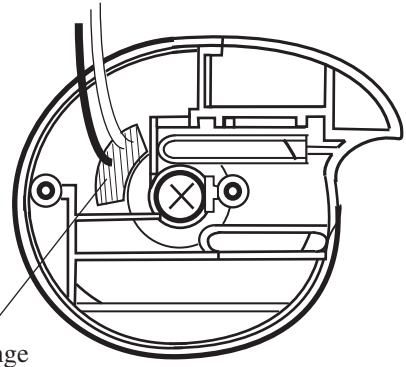
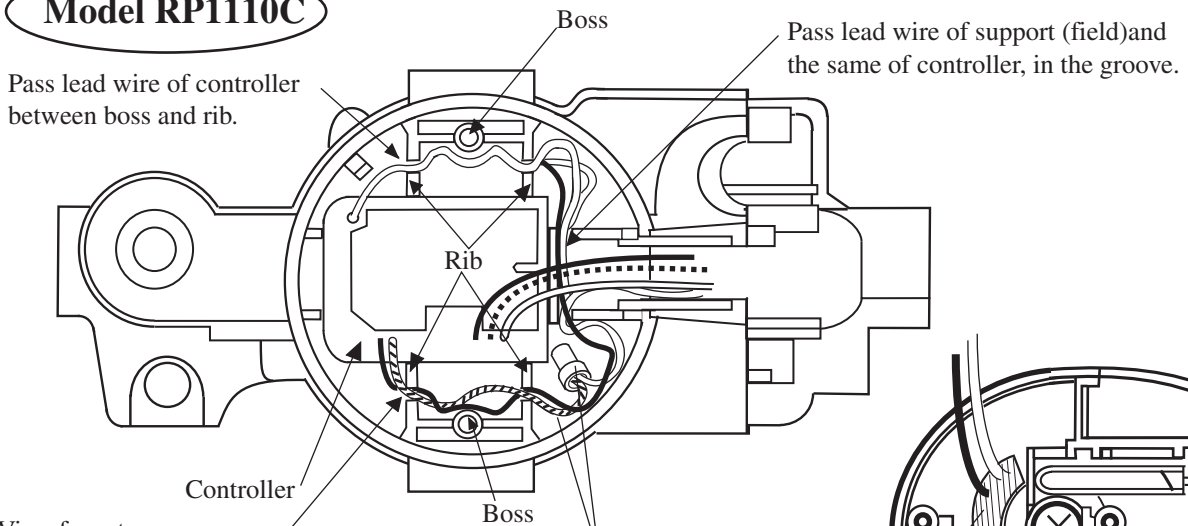
Model RP0910



< Note > Noise suppressor is not used in some countries.

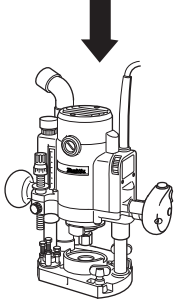
Model RP1110C

A : View from top



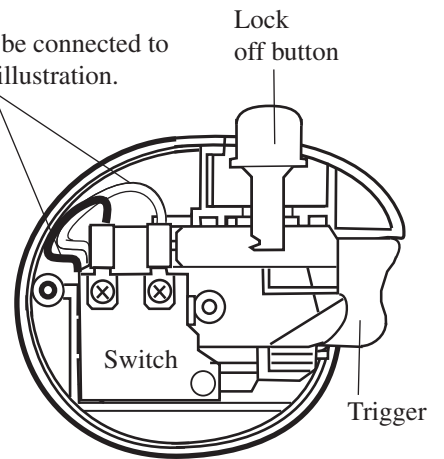
Sponge for dust protector installed in knob R

A : View from top



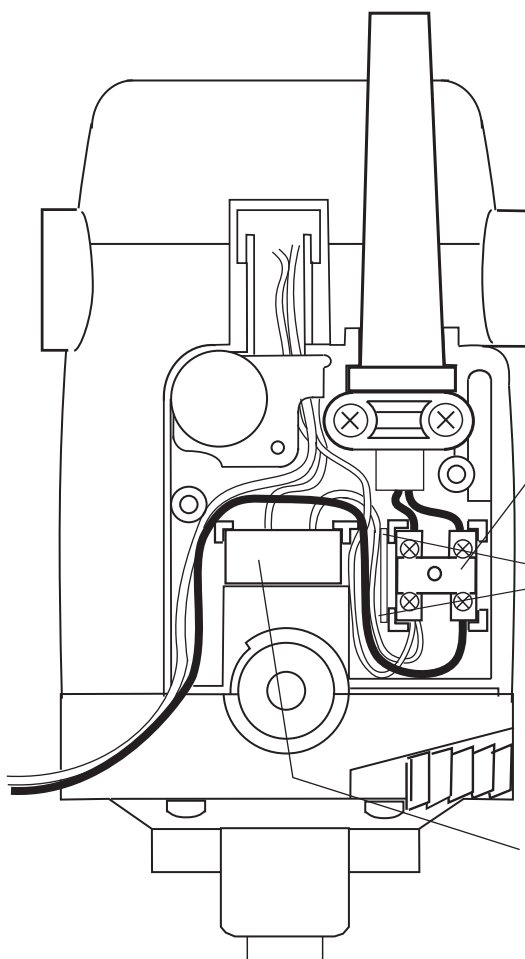
B : View from knob R side

Pass lead wires to be connected to switch, as per the illustration.



Wiring in knob R

B : View from knob R side



Fix lead wires to be connected to terminal block, with lead holder. And set the lead wires of noise suppressor inside of the machine (armature side), when fixing them with lead holder.

Cover noise suppressor with sponge and set its lead wires in side of the machine (armature side).

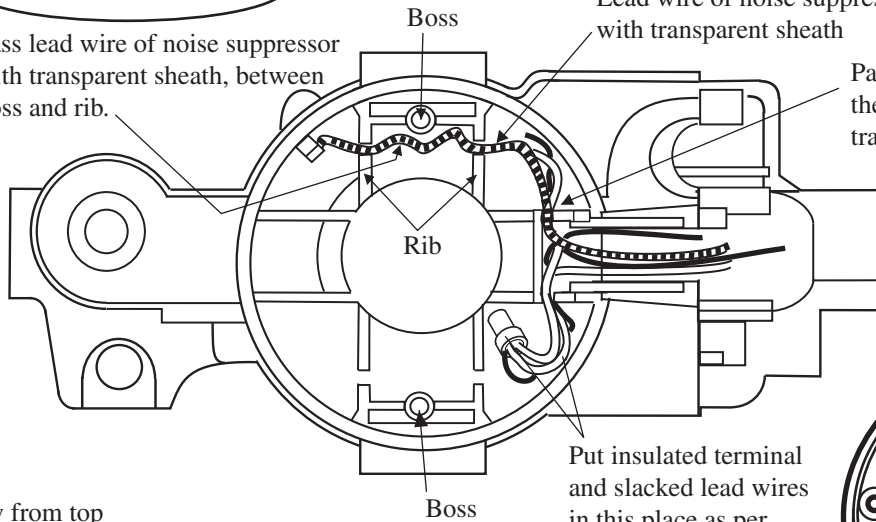
Model RP0910

A : View from top

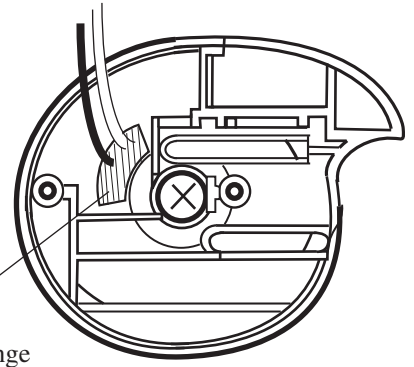
Pass lead wire of noise suppressor with transparent sheath, between boss and rib.

Lead wire of noise suppressor with transparent sheath

Pass lead wire of support (field) and the same of noise suppressor with transparent sheath, in the groove.

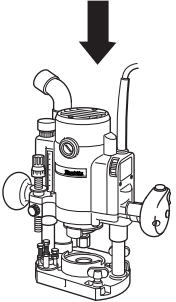


Put insulated terminal and slacked lead wires in this place as per the illustration.



Sponge for dust protector installed in knob R

A : View from top

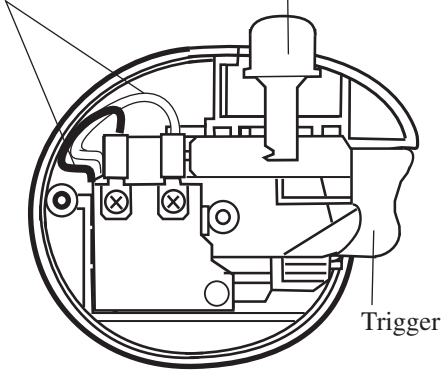
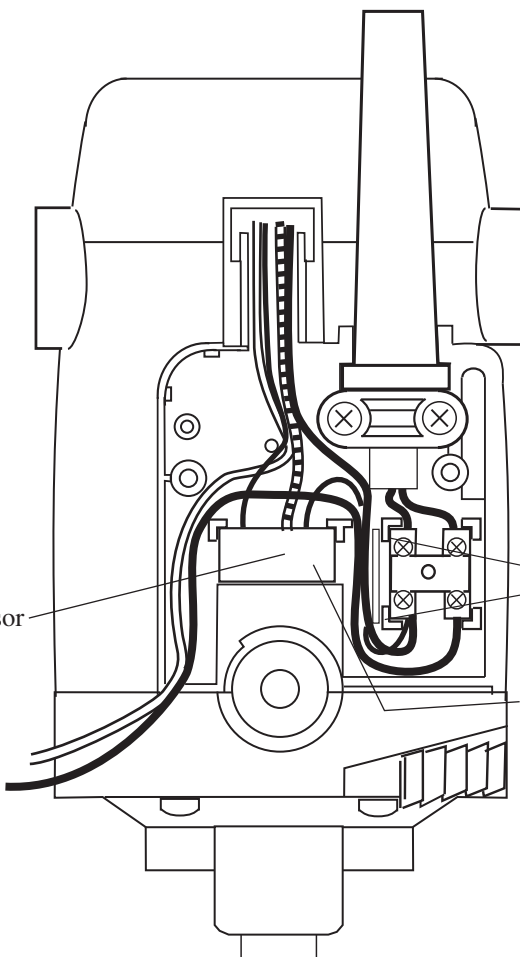


B : View from knob R side

Pass lead wires to be connected to switch, as per the illustration.

Lock off button

B : View from knob R side



Wiring in knob R

Fix lead wires to be connected to terminal block, with lead holder. And set the lead wires of noise suppressor inside of the machine (armature side), when fixing them with lead holder.

Set noise suppressor as per the illustrated position. When noise suppressor without grounding wire (covered with transparent sheath) is used, cover the noise suppressor with sponge.