

TECHNICAL INFORMATION



New Tool

Models No. ▶ HP2041

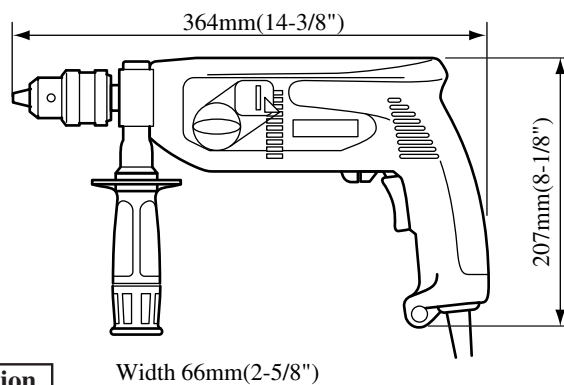
Description ▶ 20mm 2-Speed Hammer Drills

CONCEPTION AND MAIN APPLICATIONS

Model HP2040/HP2041/HP2042 are upgraded and 2-speed versions of the existing Model HP1500.

Its benefits are;

- *Less vibration toward hands
- *Less noise
- *More efficiency



Model	Drill chuck	Speed Control	Reversing direction of rotation
HP2040	Conventional(Keyed)	Yes	Yes
HP2041	Keyless	Yes	Yes
HP2042	Conventional(Keyed)	No	No

Specifications

Voltage (V)	Current (A)	Cycle (Hz)	Continuous Rating (W)		Max. Output(W)
			Input	Output	
100	6.8	50/60	650	300	500
120	6.0	50/60	650	300	500
220	3.1	50/60	650	300	500
230	3.0	50/60	650	300	500
240	2.8	50/60	650	300	500

No load speed	Rotations per minute	HP2040,HP2041	L:0-950rpm	H:0-2900rpm
		HP2042	L:950rpm	H:2900rpm
	Blows per minute	HP2040,HP2041	L:0-12400bpm	H:0-37700bpm
		HP2042	L:12400bpm	H:37700bpm
Drill chuck capacity			1.5-13mm(1/16-1/2")	
Max.drilling capacities (L/H)		Concrete	20/13mm(3/4" / 1/2")	
		Steel	13/8mm(1/2" / 5/16")	
		Wood	40/25mm(1-9/16" / 1")	
Net weight			2.3Kg(5.1lbs)	
Cord length			2.0m(6.6ft)	

<Note> L:Low speed H: High speed

Standard equipment

- Chuck Key S13(Model HP2040,HP2042 only)
- Depth Gauge
- Plastic Carrying Case

The standard equipment for the tools shown may differ from country to country.