

T ECHNICAL INFORMATION



NEW TOOL

P 1 / 9

Model No. ▶ GA7030/ GA7030S, GA9030/ GA9030S

Description ▶ Angle Grinders 180mm (7')/ 230mm (9')

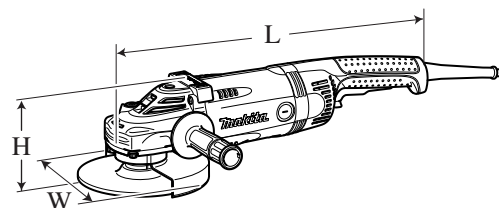
CONCEPT AND MAIN APPLICATIONS

The above products have been developed as the successor models to the current 9047/ 9049 series models, featuring low vibration rear handle and durability higher than the predecessors.

Also the following optional accessories will provide more comfort and control;

- Vibration absorbing side grip for comfortable work
- Toolless wheel cover for quick adjustment
- Dust cover attachment

GA7030S and GA9030S feature soft start.



Dimensions: mm (")		
Model No.	GA7030 GA7030S	GA9030 GA9030S
Length (L)	511 (20-1/8)	
Width (W)	200 (7-7/8)	249 (9-3/4)
Height (H)	140 (5-1/2)	

▶ Specification

Voltage (V)	Current (A)	Cycle (Hz)	Continuous Rating (W)		Max. Output (W)
			Input	Output	
See next page.					

Model No.	GA7030	GA7030S	GA9030	GA9030S
Wheel size: mm (")	Diameter		180 (7)	
	Hole diameter		22.23 (7/8)	
No load speed: min ⁻¹ =rpm.	8,500		**6,600	
Soft start feature	No	Yes	No	Yes
AC/DC switch	*Yes	No	*Yes	No
Double insulation	Yes			
Power supply cord: m (ft)	Australia: 2.0 (6.6), Other countries: 2.5 (8.2)			
Net weight: kg (lbs)	5.1 (11.2)			

*for North American countries only

**USA, Canada: 6,000

▶ Standard equipment

Lock nut wrench 35 1 pc

Side grip 36 1 pc

Plastic carrying case 1 pc ("K" or "FK" models only; for example, GA9030K)

Super flange 1pc ("F" or "FK" models only; for example, GA9030F)

Note: The standard equipment for the tool shown above may differ by country.

▶ Optional accessories

GA7030, GA7030S: Assorted accessories for 180mm Angle grinders

GA9030, GA9030S: Assorted accessories for 230mm Angle grinders

Plastic carrying case

Vibration absorbing side grip

Toolless quick adjustable wheel cover

Super flange

Dust cover attachment

► Specification

Country	Voltage (V)	Current (A)	Cycle (Hz)	Continuous Rating (W)		Max. Output (W)
				Input	Output	
USA Canada	120	15	50/ 60	---	850	2,900
Guam	120	15	50/ 60	---	850	2,900
Mexico	127	15	50/ 60	1,900	850	2,900
Brazil (220V)	220 - 230	11	50/ 60	2,400	1,700	4,500
Brazil (127V)	127	19	50/ 60	2,400	1,200	2,900
Chile	220 - 230	11	50/ 60	2,400	1,700	4,500
Argentine	220 - 230	11	50/ 60	2,400	1,700	4,500
Commonwealth of Dominica	230	10.5	50/ 60	2,400	1,700	4,500
Switzerland	230	10.5	50/ 60	2,400	1,700	4,500
Germany Sweden Norway Russia Poland	230	10.5	50/ 60	2,400	1,700	4,500
Netherlands Spain Italy France Reunion Algeria Austria Turkey	230	10.5	50/ 60	2,400	1,700	4,500
Bhutan	230	10	50/ 60	2,300	1,700	4,500
South Africa (220V)	230	10.5	50/ 60	2,400	1,700	4,500
Saudi Arabia (220V)	220 - 230	11	50/ 60	2,400	1,700	4,500
Saudi Arabia (115V)	110 - 120	19	50/ 60	2,000	1,200	2,900
Egypt	220 - 230	11	50/ 60	2,400	1,700	4,500
Kuwait	230 - 240	10.5	50/ 60	2,400	1,700	4,500
Australia New Zealand	230 - 240	10	50/ 60	2,300	1,600	4,500
New Caledonia Tahiti	220 - 230	11	50/ 60	2,400	1,700	4,500
Taiwan	110	15	50/ 60	1,650	850	2,900
Hong Kong (220V)	220 - 230	11	50/ 60	2,400	1,700	4,500
South Korea	220	11.5	50/ 60	2,400	1,700	4,500
Thailand Philippines Vietnam North Korea Indonesia	220 - 230	11	50/ 60	2,400	1,700	4,500
Singapore Malaysia	230 - 240	10.5	50/ 60	2,400	1,700	4,500

► Repair

CAUTION: Remove the wheel from the machine for safety before repair/ maintenance !

[1] NECESSARY REPAIRING TOOLS


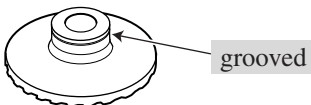

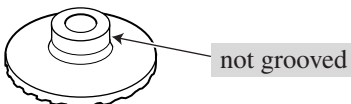
Code No.	Description	Use for
1R005	Retaining ring R pliers	Removal/installation of Retaining ring R-42
1R204	Jig for tightening nut M15-23	modular use with 1R224
1R223	Torque wrench shaft 20-90N.m	Disassembling/assembling Torque limiter assembly
1R224	Ratchet head 12.7	modular use with 1R223
1R252	Round bar for arbor 30-100	Press-fitting Felt ring 18
1R269	Bearing extractor	Removing Ball bearings

[2] LUBRICATION

Put approx. 60g of Makita grease SG No.1 in the gear room of Gear housing complete to protect parts and product from unusual abrasion.

[3] DISASSEMBLY/ASSEMBLY

Important: As listed below, different gears are used for GA7030/GA7030S/GA7040S and GA9030/GA9030S/GA9040S, and they are not interchangeable between the models. Be careful not to confuse them.

Model No.	No load speed: min-1	Small spiral bevel gear (Gear on Armature shaft)	Large spiral bevel gear (Gear on Spindle)
GA7030 GA7030S GA7040S	8,500	Spiral bevel gear 16 Number of teeth: 16 	Spiral bevel gear 53D Number of teeth: 53  grooved
GA9030 GA9030S GA9040S	6,600 (USA, Guam: 6,000)	Spiral bevel gear 12 Number of teeth: 12 	Spiral bevel gear 53C Number of teeth: 53  not grooved

[3] -1. Armature, Small spiral bevel gear, Ball bearing 6301DDW

DISASSEMBLING

- 1) Remove Carbon brush. Separate the assembly of Gear housing complete with Armature from Motor housing complete by unscrewing four M5x35 Tapping screws.
- 2) Separate Bearing box from Gear housing complete by unscrewing four M6x22 Hex socket head bolts.
- 3) With Armature securely held by hand, remove Hex nut M8 from the drive-end of Armature shaft by turning counterclockwise with wrench 13. (**Fig. 1**)
- 4) Hold Small spiral bevel gear by hand, then pull off Armature from Gear housing complete. (**Fig. 2**)

Note: If it is difficult to pull off Armature by hand, do the following steps.

 1. Lubricate small spiral bevel gear and Armature shaft with spray lubricant.
 2. Wrap the gear with cloth to protect the gear teeth.
 3. Using water pump pliers or the like, firmly grip the gear wrapped with cloth, then turn the gear.

Fig. 1

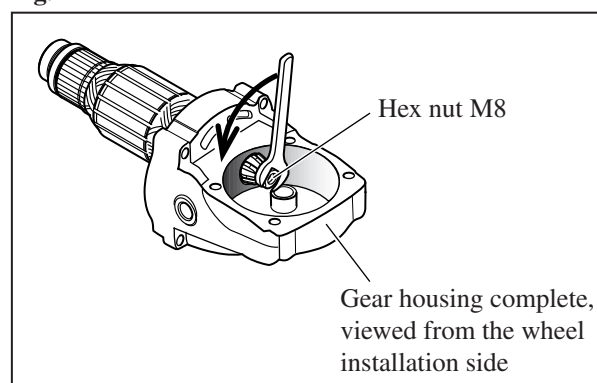
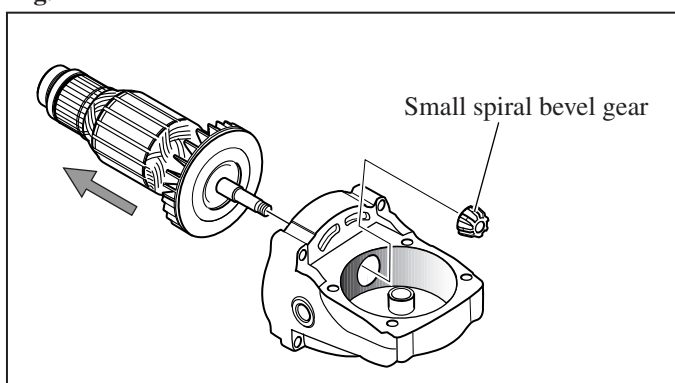


Fig. 2



► Repair

[3] -1. Armature, Small spiral bevel gear, Ball bearing 6301DDW (cont.)

DISASSEMBLING

- 5) In order to remove Ball bearing 6301DDW from Gear housing complete, first remove Retaining ring R-42 with Retaining ring R pliers RT-2N (1R005), and remove Flat washer 20 from Gear housing complete. **(Fig. 3)**
- 6) Reassemble Armature to Gear housing complete, then the spiral bevel gear to Armature shaft. Tighten Hex nut M8 provisionally by turning clockwise. (Refer to **Fig. 2, 1**)
- 7) By tapping the end of Gear housing complete with a plastic hammer, Ball bearing 6301DDW can be removed together with Armature. **(Fig. 4)**
Note: Felt ring 18 falls off from Gear housing complete in this step. Be sure to mount to Gear housing complete when assembling the machine.
- 8) Remove Ball bearing 6200DDW from Armature with Bearing Extractor (1R269). **(Fig. 5)**

Fig. 3

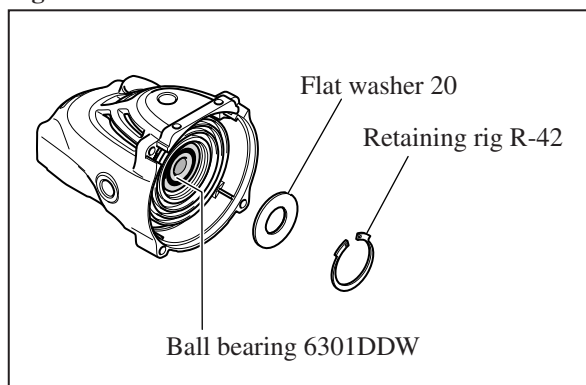


Fig. 4

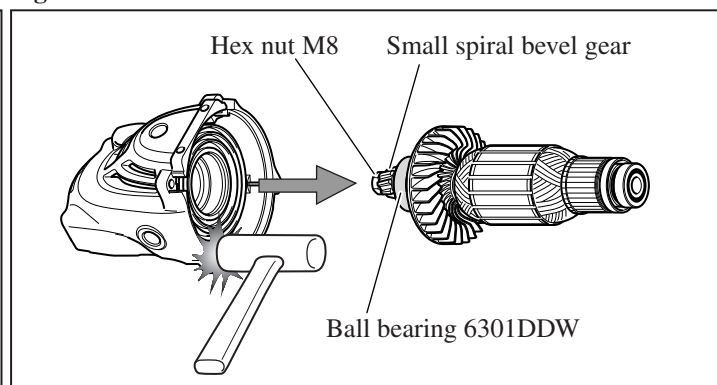
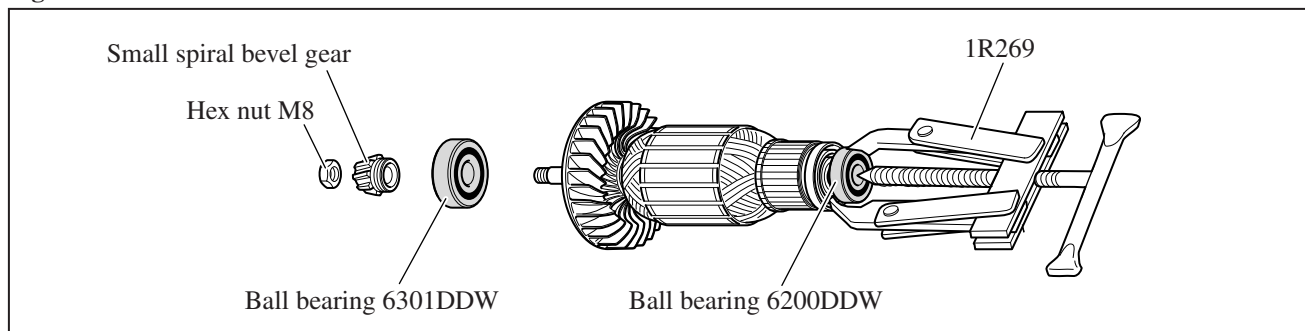


Fig. 5



ASSEMBLING

- 1) Put Felt ring 18 on the hole of the Bearing room in Gear housing complete with the felt side facing upwards. Hold Gear housing complete with two V-blocks. **(Fig. 6)**
- 2) Press down Felt ring 18 fully into the hole using arbor press and 1R252. **(Fig. 7)**
- 3) Put a washer of 28mm outer diameter with 0.5mm thickness on Felt ring 18, then press down with arbor press and 1R252 to press-fit Felt ring 18 completely in the hole. **(Fig. 8)**

Fig. 6

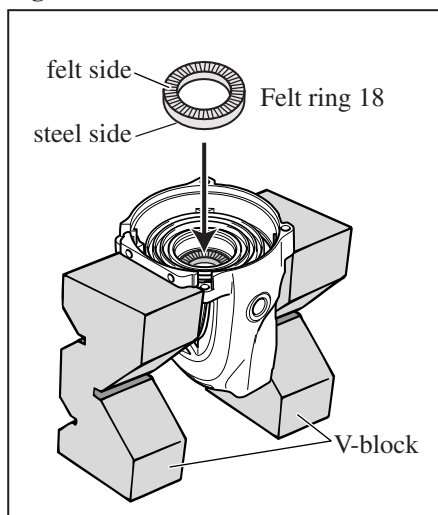


Fig. 7

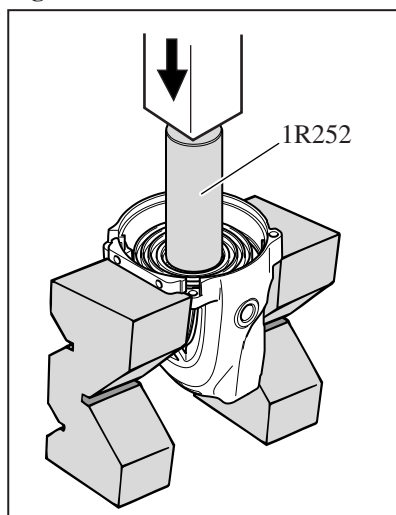
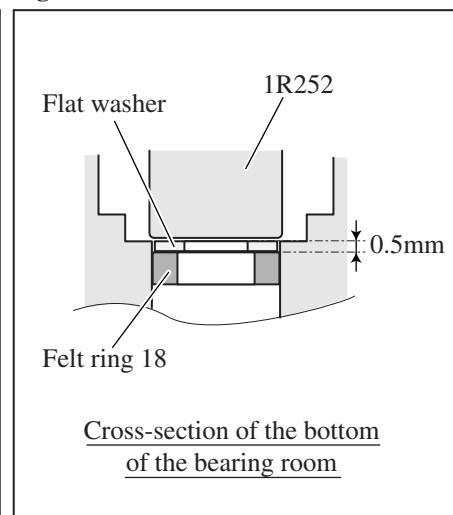


Fig. 8



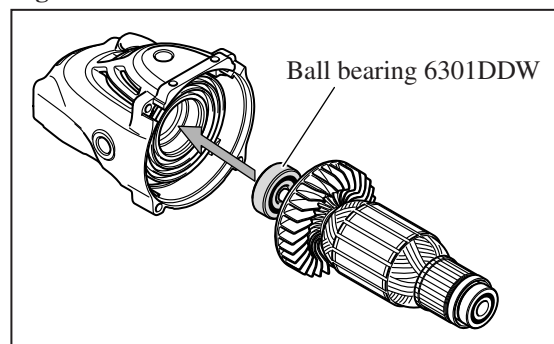
► Repair

[3] -1. Armature, Small spiral bevel gear, Ball bearing 6301DDW (cont.)

ASSEMBLING

- 4) Mount Ball bearing 6301DDW on Armature by hand.
Insert into the bearing installation hole of Gear housing. (Fig. 9)
Pull off Armature.
- 5) Put Flat washer 20 on Ball bearing 6301DDW.
Fasten with Retaining ring R-42.
- 6) Do the reverse of the disassembling steps.

Fig. 9



[3] -2. Large spiral bevel gear and Ball bearing 6203DDW

Note: The gear and the ball bearing can be replaced without disassembling the Motor section.

Important: Replace Lock washer and Large spiral bevel gear with new one if the contact surface of each part is scratched when disassembling Torque limiter.

Be sure to replace Nut M15-23 and Cup spring 20 with new one when disassembling Torque limiter.

DISASSEMBLING

- 1) Separate Bearing box from Gear housing complete by unscrewing four M6x22 Hex socket head bolts. **Fig. 10**
It is not necessary to remove Carbon brushes.
- 2) Remove Ball bearing 6000ZZ with 1R269. (Fig. 10)
- 3) Fix Bearing box in vise by clamping the flat surfaces of Spindle.
Remove Nut M15-23 by turning clockwise with 1R224, 1R223 and 1R204. (Fig. 11)
The following parts can now be removed from Bearing box;
Cup spring 20 (2pcs), Lock washer, Large spiral bevel gear,
Flat washer 15 (Fig. 12)

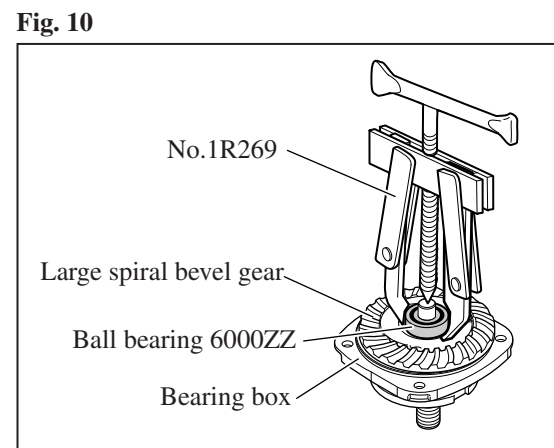


Fig. 11

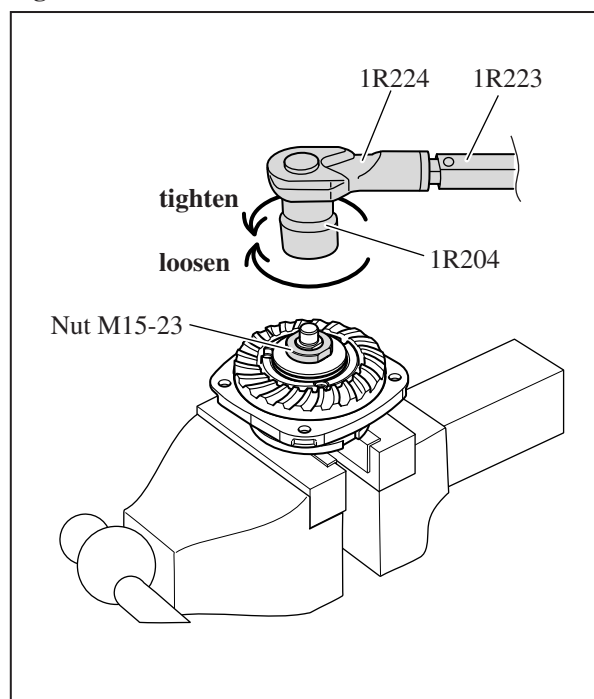
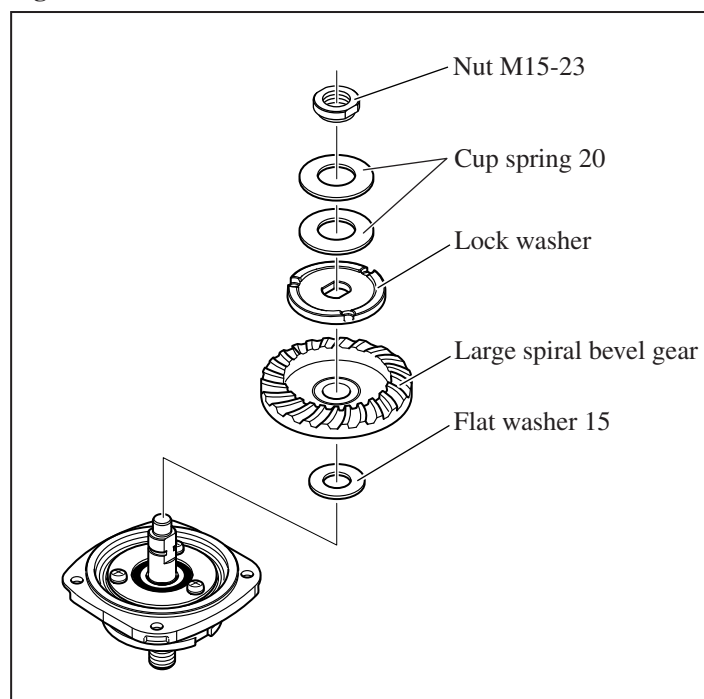


Fig. 12



► Repair

[3] -2. Large spiral bevel gear and Ball bearing 6203DDW (cont.)

DISASSEMBLING

- 4) Put Bearing box on the turn base of arbor press so that the wheel cover installation surface of Bearing box is placed on the edge of the U-shaped notch of the turn base. Remove spindle by pressing down with arbor. (**Fig. 13**)
- 5) Remove Bearing retainer 50 from Bearing box by unscrewing three M5x16 Pan head screws. (**Fig. 14**)
- 6) Remove Ball bearing 6203DDW by striking Bearing box straight down against flat surface of work bench. (**Fig. 15**)
If cannot be removed, use arbor press and a round bar for arbor of an appropriate size as illustrated in **Fig. 16**.

Fig. 13

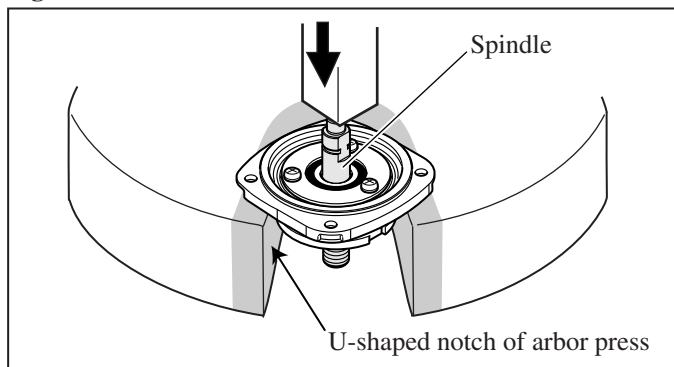


Fig. 14

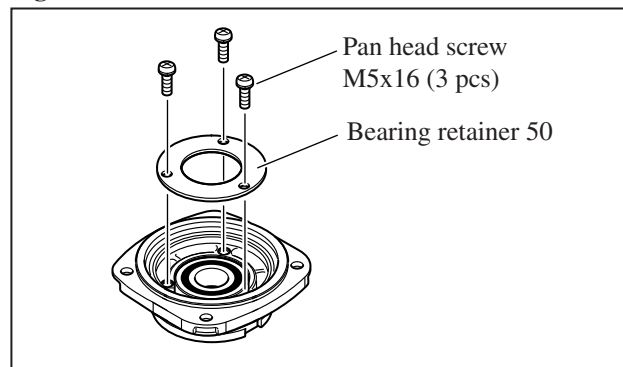


Fig. 15

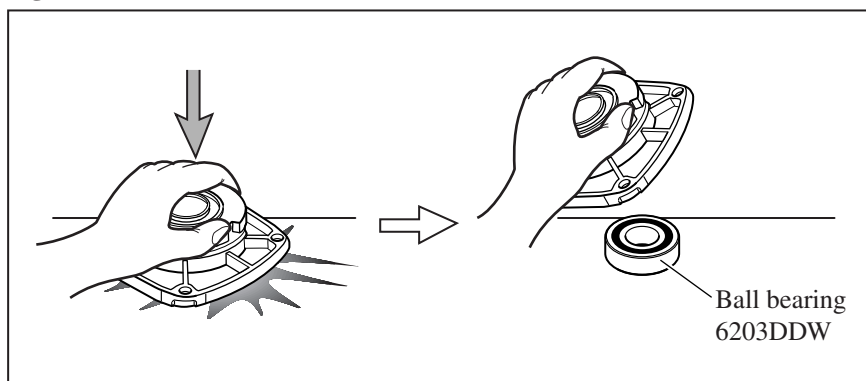
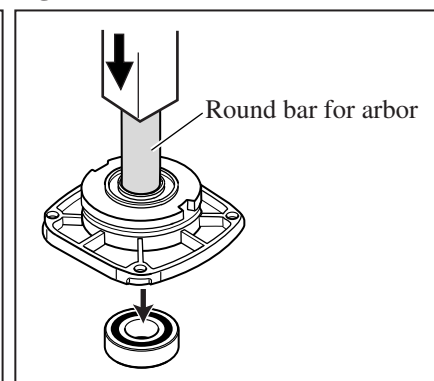


Fig. 16



ASSEMBLING

Important: Be careful not to put the lubricants on the threaded portion of Spindle.

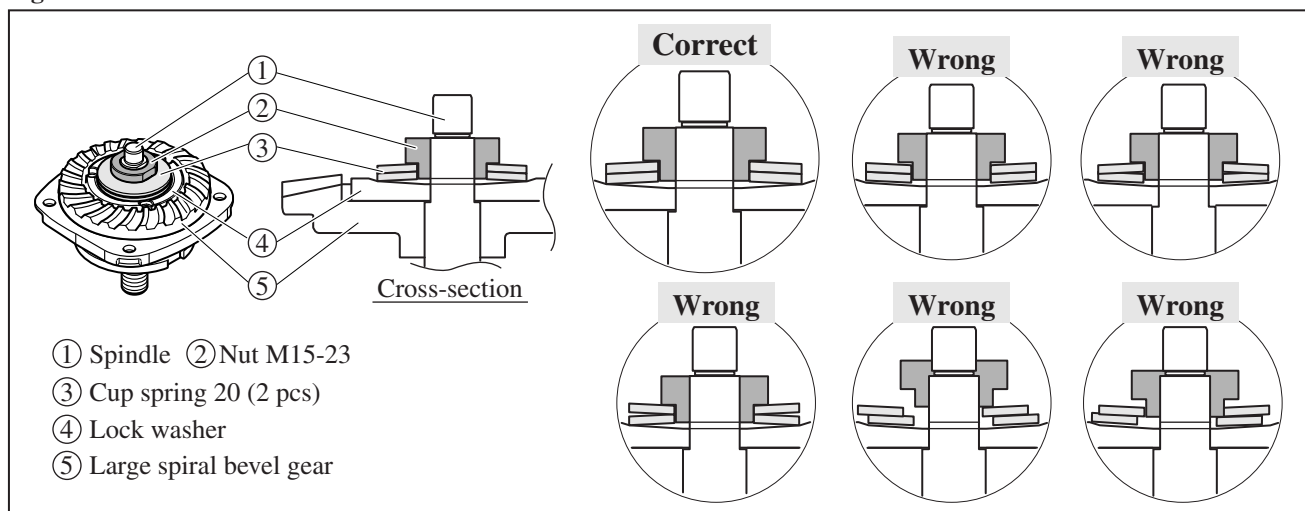
Also be sure that the contact surface of each part is not contaminated with dust or foreign particles.

Do the reverse of the disassembling steps.

Note 1. When assembling Cup spring 20 and Nut M15-23 to Spindle:

- 1) Cup spring 20 is not reversible when assembled to Spindle. Be sure to put as illustrated in **Fig. 17**.
Also be careful not to put the protruding portion of Nut M15-23 over Cup spring 20.
- 2) Fasten Nut M15-23 to Spindle by presetting the torque of 1R223 to 55-60N.m, then turning counterclockwise with 1R224, 1R223 and 1R204. (**Fig. 11** on page 5)

Fig. 17



► Repair

[3] -2. Large spiral bevel gear and Ball bearing 6203DDW (cont.)

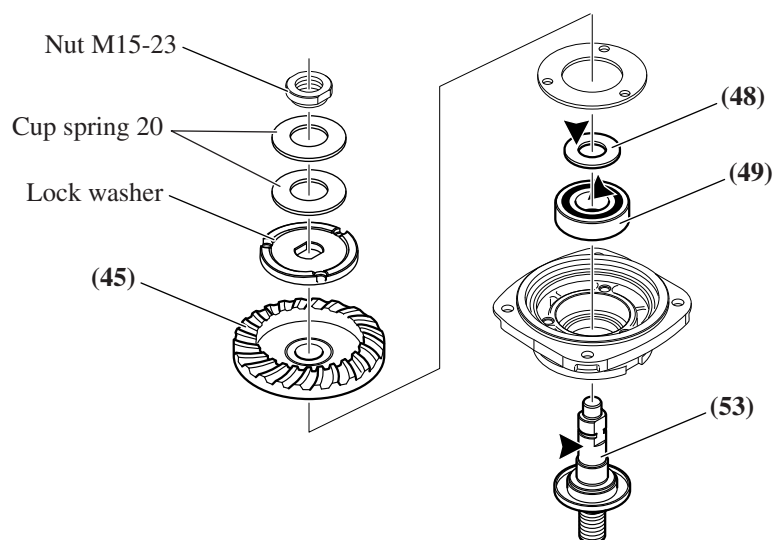
ASSEMBLING

Note 2. Lubrication

- 1) Apply an appropriate amount of Makita grease K No.1 to the portion designated with the gray triangle in **Fig. 18**.
- 2) Apply an appropriate amount of lubricant of molybdenum disulfide to the portions designated with the black triangle in **Fig. 18**.

Item No.	Description	Portion to lubricate	Lubricant
(45)	Large spiral bevel gear	Surface that contacts Lock washer	Makita grease K No.1
(48)	Flat washer 15	Surface that contacts (45) Large spiral bevel gear	Lubricant of molybdenum disulfide
(49)	Ball bearing 6203DDW		
(53)	Spindle	Surface that contacts (45) Large spiral bevel gear	

Fig. 18



[3] -3. Shaft Lock

DISASSEMBLING

- 1) Remove Bearing box from Gear housing.
- 2) Pull off Shoulder pin 5 with pliers while pushing Pin cap with a finger. (**Fig. 19**)

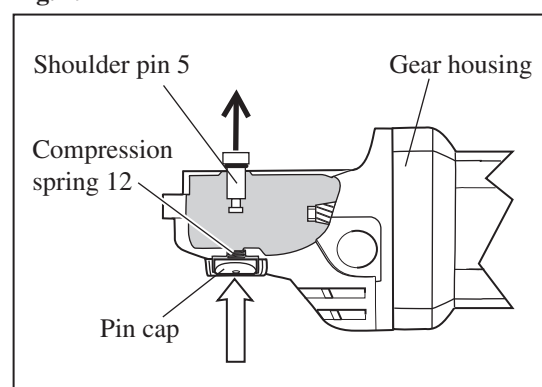
Note: Do not pull off shoulder pin 5 without holding pin cap because Compression spring 12 would sling Pin cap.

ASSEMBLING

Do the reverse of the disassembling steps.

Note: Do not reinstall removed Pin cap because removal of Shoulder pin 5 damages the inside surface of Pin cap. Be sure to remove plastic dust of Pin cap from Shoulder pin 5 and to install it onto a new Pin cap.

Fig. 19

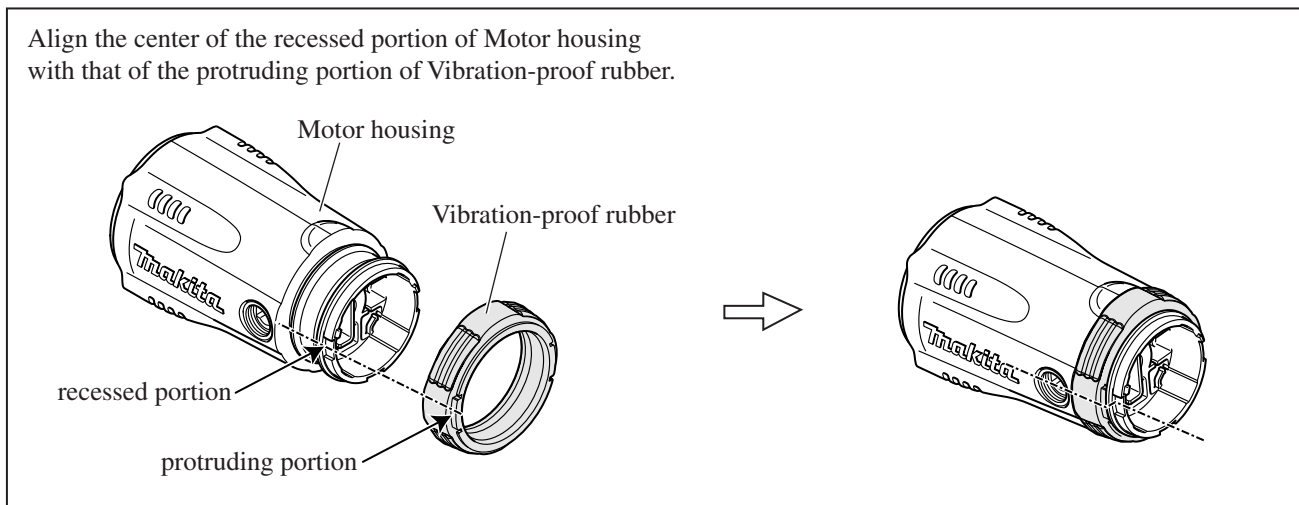


► Repair

[3] -4. Assembling Handles (R) and (L) to Motor Housing

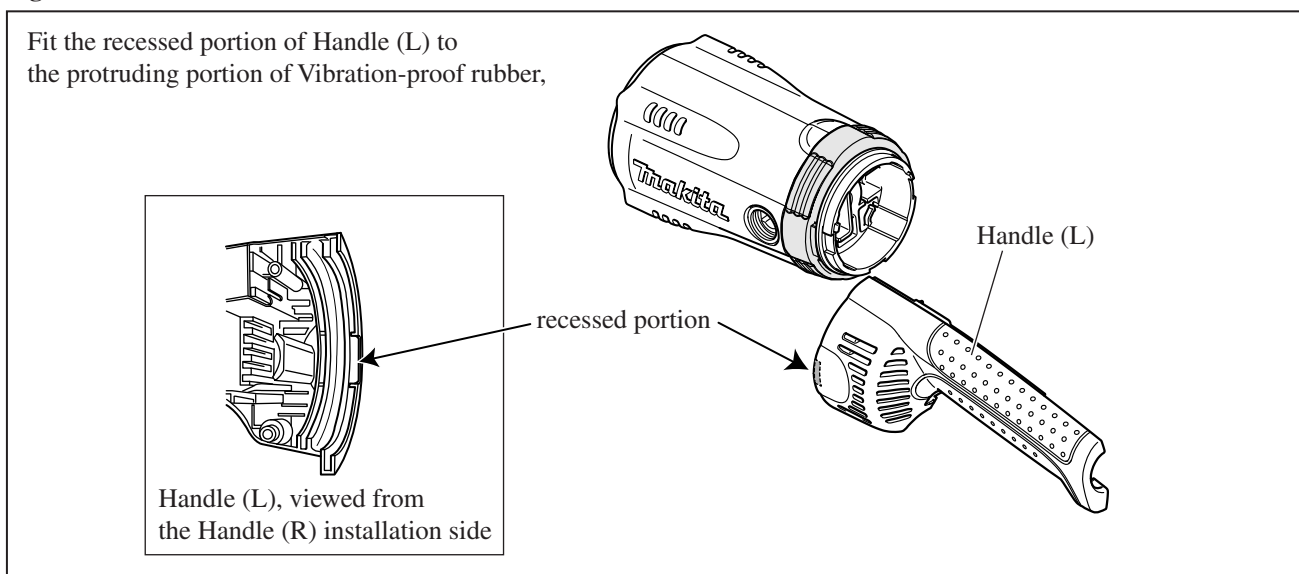
1) Assemble Vibration-proof rubber to Motor housing as illustrated in Fig. 20.

Fig. 20



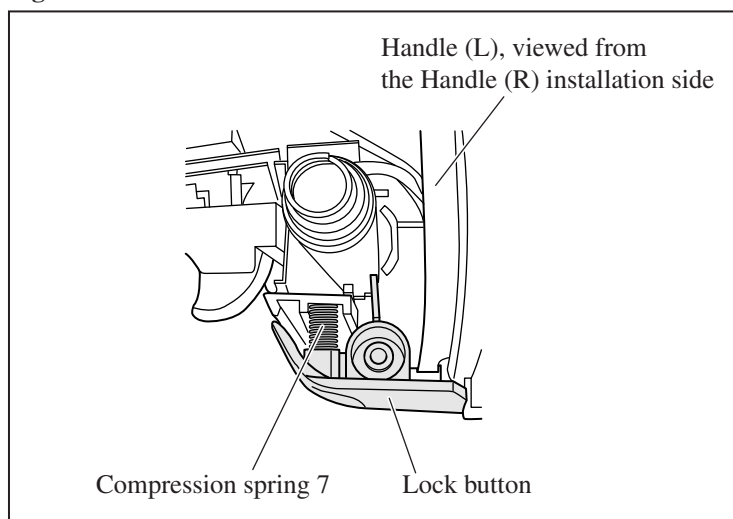
2) Assemble Handle (L) to Motor housing as illustrated in Fig. 21.

Fig. 21

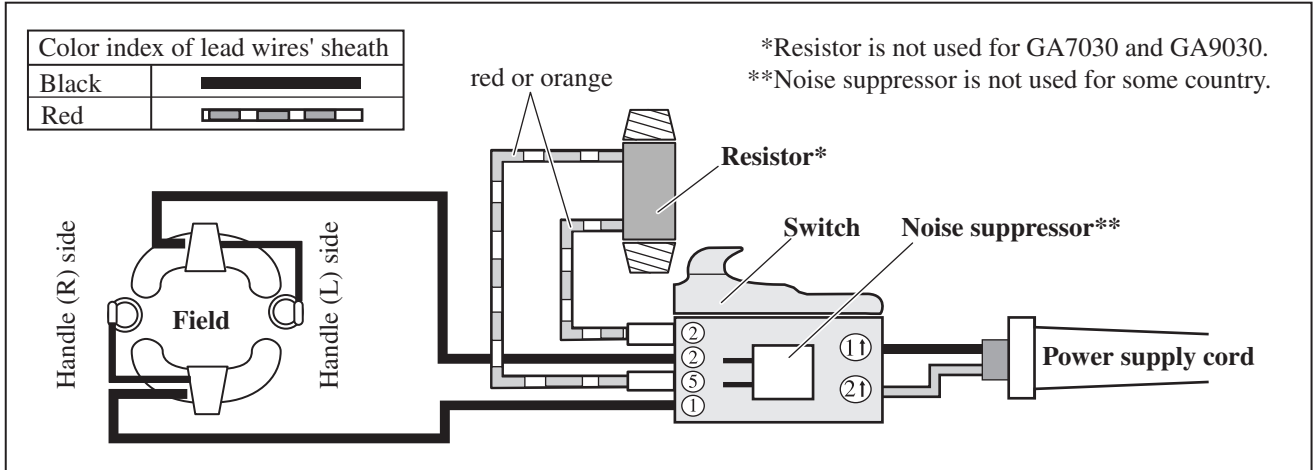


3) Put Lock button and Compression spring 7 in place on Handle (L) as illustrated in Fig. 22. Assemble Housing (R) to Housing (L).

Fig. 22



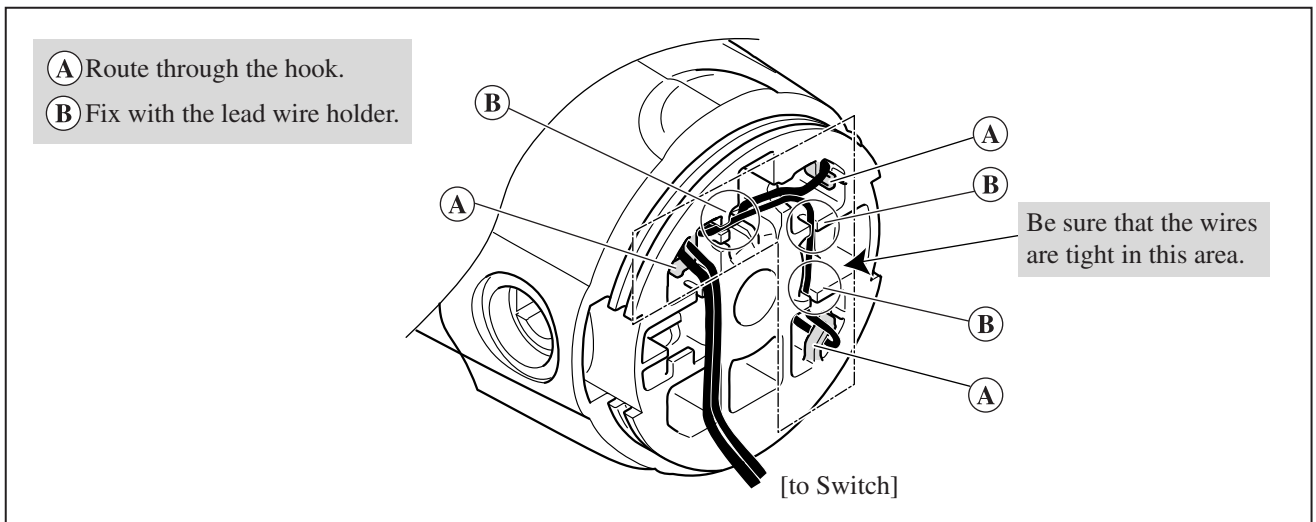
▶ Circuit diagram



▶ Wiring diagram

[1] Motor Housing

Route two Field lead wires (black) as illustrated below.



[2] Handle

