

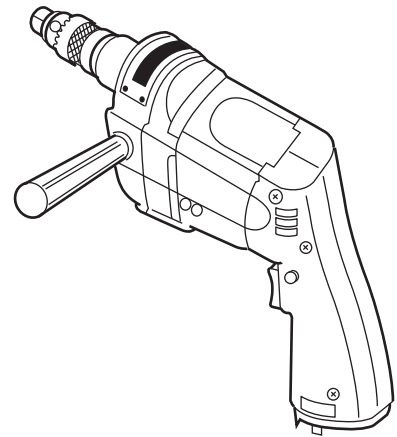
T ECHNICAL INFORMATION

Models No. ▶ DP4700

Description ▶ MAKITA 13mm Drill

CONCEPTION AND MAIN APPLICATIONS

This is the light weight and low priced handgun type 13 mm drill unit equipped with the variable speed and reversible switch.



▶ Specifications

Voltage	Current(A)	Frequency(Hz)	Continuous rating input(W)
Single phase 100V	5.5	50-60	510

No load speed (R.P.M.)	0 - 500	
Capacity(mm)	Iron working	13
	Wood working	36
Overall length(mm)	275	
Net Weight(kg)	2.0	
Power supply cord (m)	2.5	

▶ Standard equipment

Complete chuck assembly S13